
Enerco Group, Inc.

Project # 23-236

Model: PS130W

AKA: C130W, N130WTS, H140XL,
C140XL, J140XL, N140XL, J130W,
N130W, H130W, C130WTS, H130WTS,
J130WTS, PS130WTS

Type: Pellet-Fired Room Heater

February 14, 2024

Revised May 17, 2024

**ASTM E2779 Standard Test Method for
Determining Particulate Matter
Emissions from Pellet Heaters (EPA
ALT-146)**

Contact: Mr. Jeff Bunsey
4560 West 160th St
Cleveland, OH 44135
Jeff.Bunsey@us-egi.com
800-251-0001

Prepared by: Aaron Kravitz, Testing
Supervisor



11785 SE Highway 212 – Suite 305

Clackamas, OR 97015-9050

(503) 650-0088

WWW.PFSTECO.COM

Revision History

February 14, 2024– Original Issue

Date: May 17, 2024 – Revised the following items at the request of EPA:

- Added note on page 7 clarifying that NWS data was used for barometric pressure readings, not a local barometer.
- Added note that filters and O-Rings weighed in pairs.

Contents

Affidavit	4
Introduction	5
Notes	5
Pellet Heater Identification and Testing	6
Test Procedures and Equipment	7
Results	8
Summary Table	8
Test Run Narrative	8
Run 1	8
Test Conditions Summary	9
Appliance Operation and Test Settings	9
Settings & Run Notes	9
Appliance Description	10
Appliance Dimensions	10
Test Fuel Properties	13
Pellet Fuel Analysis	14
Sampling Locations and Descriptions	15
Sampling Methods	16
Analytical Methods Description	16
Calibration, Quality Control and Assurances	16
Appliance Sealing and Storage	16
Sealing Label	16
Sealed Unit	17
List of Appendices	17

Affidavit

PFS-TECO was contracted by Enerco Group, Inc. to provide testing services for the PS130W Pellet-Fired Room Heater per ASTM E2779, *Determining PM Emissions from Pellet Heaters*. All testing and associated procedures were conducted at PFS-TECO's Portland Laboratory on 1/9/2024. PFS-TECO's Portland Laboratory is located at 11785 SE Highway 212 – Suite 305, Clackamas, Oregon 97015. Testing procedures followed EPA ALT-146 / ASTM E2779. Particulate sampling was performed per ASTM E2515, *Standard Test Method for Determination of Particulate Matter Emissions Collected by a Dilution Tunnel*.

PFS-TECO is accredited by the U.S. Environmental Protection Agency for the certification and auditing of wood heaters pursuant to subpart AAA of 40 CFR Part 60, New Source Performance Standards for Residential Wood Heaters and subpart QQQQ of 40 CFR Part 60, Standards of Performance for New Hydronic Heaters and Forced Air Furnaces, Methods 28R, 28WHH, 28 WHH-PTS, and all methods listed in Sections 60.534 and 60.5476. PFS-TECO holds EPA Accreditation Certificate Numbers 4 and 4M (mobile). PFS-TECO is accredited by IAS to ISO 17020:2012 "Criteria for Bodies Performing Inspections", and ISO 17025:2005 "Requirements for Testing Laboratories." PFS-TECO is also accredited by Standards Council of Canada to ISO 17065:2012 "Requirements for Bodies Operating Product Certification Systems."

The following people were associated with the testing, analysis and report writing associated with this project.



Aaron Kravitz, Testing Supervisor

Introduction

Enerco Group, Inc. of Cleveland, OH contracted with PFS-TECO to perform EPA certification testing on PS130W Pellet-Fired Room Heater. All testing was performed at PFS-TECO's Portland Laboratory. Testing was performed by Mr. Aaron Kravitz.

Notes

- Prior to start of testing, 50 hours of conditioning was performed by the manufacturer at a medium heat setting, per ASTM E2779
- Prior to start of testing, the dilution tunnel was cleaned with a steel brush.
- A separate, independent sample train was utilized to determine 1st hour emissions.
- A single test was performed in accordance with EPA ALT-146 burn rate settings:
 - 1 Hour at Maximum Burn Setting
 - 2 Hours at Medium Burn Setting (less than the mid-point of the high and low rates)
 - 3 Hours at Minimum Burn Setting
- Filters and O-Rings weighed in pairs.

Pellet Heater Identification and Testing

- Appliance Tested: **PS130W**
- Serial Number: **N/A – Prototype Unit; PFS Tracking #0174**
- Manufacturer: **Enerco Group, Inc.**
- Catalyst: **No**
- Heat exchange blower: **Integral**
- Type: **Pellet Stove**
- Style: **Free Standing**
- Date Received: **Friday, December 15, 2023**
- Testing Period – Start: **Tuesday, January 09, 2024** Finish: **Tuesday, January 09, 2024**
- Test Location: **PFS-TECO Portland Laboratory, 11785 SE HWY 212 - Suite 305, Clackamas, OR 97015**
- Elevation: **≈131 Feet above sea level**
- Test Technician(s): **Aaron Kravitz**
- Observers: **N/A**

Test Procedures and Equipment

All Sampling and analytical procedures were performed by Aaron Kravitz. All procedures used are directly from ASTM E2779 and ASTM E2515. See the list below for equipment used. See Appendix C submitted with this report for calibration data.

Equipment List:

Equipment ID#	Equipment Description
189	Mettler Toledo 3'x3' floor scale w/digital weight indicator
053	APEX XC-60 Digital Emissions Sampling Box A
054	APEX XC-60 Digital Emissions Sampling Box B
203	APEX XC-50-DIR Digital Emissions Sampling Box C
055	APEX Ambient sampling box
215	NI Temperature DAQ
057	California Analytical ZRE CO ₂ /CO/O ₂ IR ANALYZER
109A/B	Troemner 100mg/200mg Audit Weights
107	Sartorius Analytical Balance
097	10 lb audit weight
095	Anemometer
111	Microtector
CC505834	Gas Analyzer Calibration Span Gas
CC139173	Gas Analyzer Calibration Mid Gas

Barometric pressure data was taken from local National Weather Service station KPDX. As PFS and KPDX are at the same altitude, the correction for altitude per ASTM E2515 6.1.2 is 1:1.

Results

The integrated test run emission rate for test Run 1 was measured to be **1.6 g/hr** with a Higher Heating Value efficiency of **77%** and a CO emission rate of **0.28 g/min**. The calculated first hour particulate emission rate was **3.3 g/hr**. The Enerco Model PS130W Pellet-Fired Room Heater meets the 2020 PM emission standard of ≤ 2.0 g/hr per CFR 40 part 60, §60.532 (b).

Detailed individual run data can be found in Appendix A submitted with this report.

Summary Table

EPA Application Table												
Run Number	Date	Segments		Run Time (min)	Heat Output (BTU/hr)	1st Hr Emissions (g/hr)	Integrated Total (g/hr)	CO Emissions (g/min)	Overall CO Emissions (g/min)	Heating Efficiency (%HHV)	Overall Heating Efficiency (%HHV)	
		Setting	BR									
1	1/9/2024	OA	1.24	360	17351	3.3	1.6	0.28	0.28	77%	77%	
		H	2.19	60	29501					0.20		74%
		M	1.28	120	18088					0.20		78%
		L	0.90	180	12746					0.36		79%

Test Run Narrative

Run 1

Run 1 was performed on 1/9/2024 as an attempted integrated test run per EPA ALT-146/ASTM E2779. The overall test duration was 360 minutes. The particulate emissions rate for the integrated test run was 1.6 g/hr. The run had an overall HHV efficiency of 77%. A separate filter train C was run for the first hour of the run only. All test results were appropriate and valid and the burn rate requirement for the integrated test run were achieved. There were no anomalies and all criteria were met.

Test Conditions Summary

Testing conditions for all runs fell within allowable specifications of ASTM E2779 and ASTM E2515. A summary of facility conditions, fuel burned, and run times is listed below.

Runs	Ambient (°F)		Relative Humidity (%)		Average Barometric Pressure (In. Hg.)	Preburn Fuel Weight (lbs)	Test Fuel Weight (lbs)	Test Fuel Moisture (%DB)	Test Run Time (Min)
	Pre	Post	Pre	Post					
1	68	69	36.5	28.9	29.91	5.6	17.2	4.8%	360

Appliance Operation and Test Settings

The appliance was operated according to procedures as described in the Operations Manual, found in Appendix B submitted with this report. Detailed run information can be found in Appendix A submitted with this report.

Settings & Run Notes

	Pre-Burn	Test Run		
Run 1	Heat Setting 1 (max)	Maximum Segment Heat Setting 1 (max)	Medium Segment Heat Setting 2	Minimum Segment Heat Setting 4 (min)

Appliance Description

Model(s): PS130W

Appliance Type: Pellet-Fired Room Heater

Additional Models: Thirteen additional models, the C130W, N130WTS, H140XL, C140XL, J140XL, N140XL, J130W, N130W, H130W, C130WTS, H130WTS, J130WTS, and PS130WTS are available. These models are differentiated for branding purposes only, and are identical in all respects that may affect emissions performance to the PS130W.

Air Introduction System: A variable speed combustion fan forces air into the firebox through holes in the bottom of the firepot.

Combustion Control: A control panel on the top of the unit is used to select burn rates, which are varied by automatic modulation of the combustion fan and feed system. An automatically controlled distribution bower is also installed.

Fueling System: An inclined auger driven by a gear motor, meters pellets through a drop tube (over feed) to a fire pot in the firebox.

Baffles: N/A

Flue Outlet: Venting is through a 3" diameter steel pipe, which exits through the back of the unit.

Appliance Dimensions

PS130W Dimensions

Height	Width	Depth	Weight
36.5"	24.5"	24"	221 lb

Appliance design drawings can be found in Appendix D submitted with the CBI copy of this report.

Appliance Front



Appliance Left



Appliance Right



Appliance Rear



Test Fuel Properties

Test fuel used was American Wood Fibers Pellet Fuel, a PFI Certified Premium Pellet Brand. A sample of pellets was sent to Twin Ports Testing for analysis, see report below.



Pellet Fuel Analysis



Twin Ports Testing, Inc.
 1301 North 3rd Street
 Superior, WI 54880
 p: 715-392-7114
 p: 800-373-2562
 f: 715-392-7163
 www.twinportstesting.com

Report No: USR:W223-0607-01
Issue No: 1

Analytical Test Report

Client: PFS-TECO 11785 SE Hwy 212 Ste 305 Clackamas, OR 97015	Signed: <i>Katy Jahr</i> Katy Jahr Chemistry Lab Supervisor
Attention: Sebastian Button	Date of Issue: 11/27/2023
PO No:	<small>THIS DOCUMENT SHALL NOT BE REPRODUCED EXCEPT IN FULL</small>

Sample Details			
Sample Log No:	W223-0607-01	Sample Date:	10/30/2023
Sample Designation:	wood pellets	Sample Time:	
Sample Recognized As:	Wood Pellets	Arrival Date:	11/6/2023

Test Results				
	METHOD	UNITS	MOISTURE FREE	AS RECEIVED
Moisture Total	ASTM E871	wt. %		4.83
Ash	ASTM D1102	wt. %	0.41	0.39
Volatile Matter	ASTM D3175	wt. %		
Fixed Carbon by Difference	ASTM D3172	wt. %		
Sulfur	ASTM D4239	wt. %	0.101	0.096
SO ₂	Calculated	lb/mmbtu		0.246
Net Cal. Value at Const. Pressure	ISO 1928	GJ/tonne	17.80	16.83
Gross Cal. Value at Const. Vol.	ASTM E711	Btu/lb	8190	7795
Carbon	ASTM D5373	wt. %	49.21	46.83
Hydrogen*	ASTM D5373	wt. %	5.70	5.43
Nitrogen	ASTM D5373	wt. %	< 0.20	< 0.19
Oxygen*	ASTM D3176	wt. %	> 44.38	> 42.24
<small>*Note: As received values do not include hydrogen and oxygen in the total moisture.</small>				
Chlorine	ASTM D6721	mg/kg		
Fluorine	ASTM D3761	mg/kg		
Mercury	ASTM D6722	mg/kg		
Bulk Density	ASTM E873	lbs/ft ³		
Fines (Less than 1/8")	TPT CH-P-06	wt. %		
Durability Index	Kansas State	PDI		
Sample Above 1.50"	TPT CH-P-06	wt. %		
Maximum Length (Single Pellet)	TPT CH-P-06	inch		
Diameter, Range	TPT CH-P-05	inch		to
Diameter, Average	TPT CH-P-05	inch		
Stated Bag Weight	TPT CH-P-01	lbs		
Actual Bag Weight	TPT CH-P-01	lbs		

Comments:

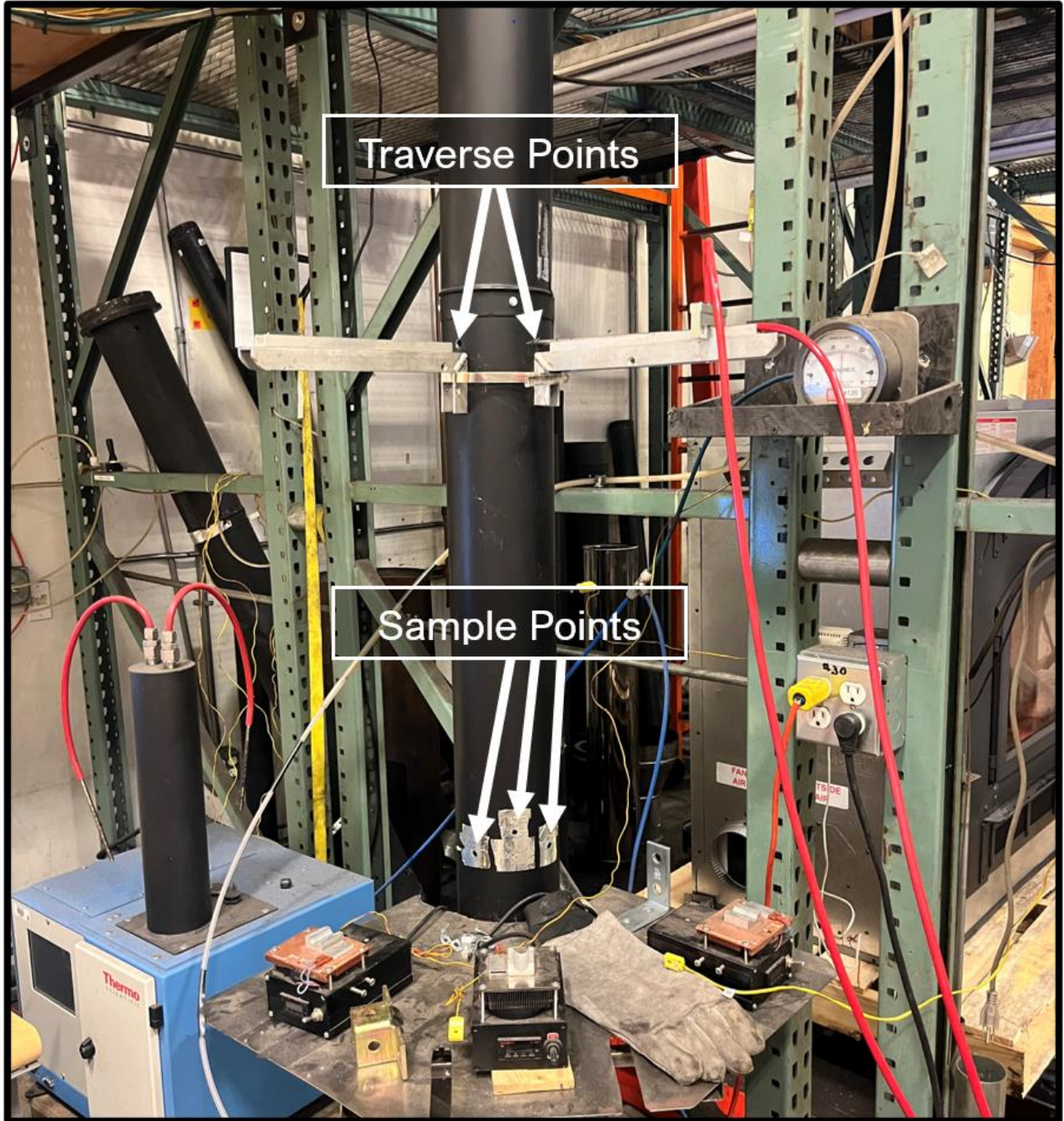


Accreditation #60243

Results issued on this report only reflect the analysis of the sample submitted. Our reports and letters are for the exclusive and confidential use of our clients and may not be reproduced, except in their entirety, without the written approval of Twin Ports Testing. Twin Ports Testing Laboratory is accredited to the ISO/IEC 17025:2017 standard by PJLA.

Sampling Locations and Descriptions

Sample ports are located 14 feet downstream from any disturbances and 2 feet upstream from any disturbances. Flow rate traverse data was collected 12 feet downstream from any disturbances and 4 feet upstream from any disturbances. (See below).



Sampling Methods

ASTM E2515 was used in collecting particulate samples. The dilution tunnel is 6 inches in diameter. All sampling conditions per ASTM E2515 were followed. No alternate procedures were used.

Analytical Methods Description

All sample recovery and analysis procedures followed ASTM E2515 procedures. At the end of each test run, filters, O-Rings and probes were removed from their housings, dessicated for a minimum of 24 hours, and then weighed at 6 hour intervals to a constant weight per ASTM E2515-11 Section 10.

Calibration, Quality Control and Assurances

Calibration procedures and results were conducted per EPA Method 28R, ASTM E2515-11 and ASTM E2780-10. Test method quality control procedures (leak checks, volume meter checks, stratification checks, proportionality results) followed the procedures outlined.

Appliance Sealing and Storage

Upon completion of testing, the appliance was secured with metal strapping and the seal below was applied, the appliance was then returned to the manufacturer's location at: 4560 West 160th St, Cleveland, OH 44135, for archival.

Sealing Label

ATTENTION:

THIS SEAL IS NOT TO BE BROKEN WITHOUT PRIOR AUTHORIZATION FROM THE
UNITED STATES ENVIRONMENTAL PROTECTION AGENCY.

THIS APPLIANCE HAS BEEN SEALED INACCORDANCE WITH REQUIREMNTS OF 40CFR
PART 60 SUBPART AAA §60.535 (a)(2)(vii)

REPORT # _____

DATE SEALED _____

MANUFACTURER _____

MODEL # _____

Sealed Unit



List of Appendices

The following appendices have been submitted electronically in conjunction with this report:

Appendix A – Test Run Data, Technician Notes, and Sample Analysis

Appendix B – Labels and Manuals

Appendix C – Equipment Calibration Records

Appendix D – Design Drawings (CBI Report Only)

Appendix E – Manufacturer QAP (CBI Report Only)



UNITED STATES ENVIRONMENTAL PROTECTION AGENCY
RESEARCH TRIANGLE PARK, NC 27711

OFFICE OF
AIR QUALITY PLANNING
AND STANDARDS

Mr. John Steinert
Vice President
PFS TECO
11785 SE Hwy 212
Suite 305
Clackamas, OR 97015

02/04/2022

Dear Mr. Steinert,

I am writing you in response to your correspondence dated February 3, 2022, in which you request the use of an alternative testing procedure to demonstrate compliance with 40 CFR part 60, Subpart AAA – Standards of Performance for New Residential Wood Heaters (Subpart AAA). The Office of Air Quality Planning and Standards, as the delegated authority, must make the determination on any major alternatives to test methods and procedures required under 40 CFR parts 59, 60, 61, 63, and 65. Your proposed alternative test method and our approval decisions are discussed below.

According to the information provided, you seek an alternative test method for use when conducting testing on the United States Stove Company, Model KP5517 pellet heater. Currently, as required by section 60.534(a)(1)(i) of Subpart AAA, a manufacturer has the option to test their appliance in accordance with 40 CFR part 60, Appendix B, Method 28R for a crib fuel appliance or ASTM E2779-10 “Standard Test Method for Determining Particulate Matter Emissions from Pellet Heaters” (ASTM E2779-10) for a pellet fuel appliance. This request seeks an alternative to section 9.4.1.2 of ASTM E2779-10 which specifies test conditions for pellet heaters including the determination of the Medium Burn Rate Category and states that the medium burn rate must be $\leq 50\%$ of the maximum burn rate.

In your request, you state that the specification for determining the medium burn rate found in ASTM E2779-10 is incorrect, and the Medium Burn Rate Category should be defined as less than 50% of the midpoint point (this is defined in the attached Memo as 50% of the span between the Maximum Burn Rate and the Low Burn Rate) between the high and low burn rates. Furthermore, your request includes a memorandum dated February 2, 2022, titled “Appropriate Calculation of Medium Burn Rate Category in ASTM E-2779 Testing” (attached) which was sent to the EPA’s Office of Enforcement and Compliance Assurance. This memorandum states that an error had been uncovered in determining the appropriate Medium Burn Rate Category in ASTM E2779-10 for compliance pursuant to Subpart AAA. Specifically, section 9.4.1.2 of ASTM E2779-10 states that “the pellet heater shall be operated with the control or controls set in

the position(s) as needed to achieve a burn rate that is $\leq 50\%$ of the maximum burn rate.” Table 1 of ASTM E2779-10 also notes that the Medium Burn Rate Category test must be $\leq 50\%$ of the maximum burn rate. The memorandum states that this is incorrect as it assumes that zero is the other bound for determining half of the maximum burn rate, and that the correct approach in determining the Medium Burn Rate Category should be at a level below 50% of the span between the Maximum Burn Rate and the Low Burn Rate (a non-zero value).

We have reviewed your request and agree that the Medium Burn Rate Category should be defined as less than 50% of the span between the high and low burn rates. Meaning that the Medium Burn Rate Category should be at a level below 50% of the span between the Maximum Burn Rate and the Low Burn Rate (a non-zero value).

Based on the information provided and with the caveats set forth below, we are approving your request for an alternative methodology used when calculating the Medium Burn Rate Category to conduct certification testing as required by Subpart AAA, section 60.534(a)(1)(i) on pellet heaters. This approval is based on the understanding that the Medium Burn Rate Category is defined as less than 50% of the span between the high and low burn rates. Additionally, this approval is based on the understanding that the lowest heat output (Btu/hr) setting available to the user, and corresponds to the lowest burn rate to be evaluated during certification testing; this is consistent with Subpart AAA, section 60.534(a)(1), which states: “The burn rate for the low burn category must be no greater than the rate that an operator can achieve in home use and no greater than is advertised by the manufacturer or retailer.”

With this Alternate Test Method, the following changes to ASTM E2779-10 must be followed for certification testing:

1. Medium Burn Rate Category burn rate is defined as:

Nomenclature:

Max = Maximum burn rate (kg/h)

Min = Minimum burn rate (kg/h)

$$\frac{Max+Min}{2} \quad \text{Eq.1}$$

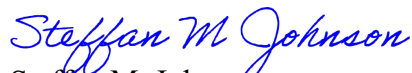
All other requirements of ASTM E-2779-10 must be followed during the testing, and all requirements of 40 CFR part 60, Subpart AAA must be satisfied as described in your test report. A copy of this letter must be included in each certification test report where this alternative test method is utilized.

Because this alternative method may be of use to others, we feel that it is reasonable that this approval be broadly applicable to all pellet heaters tested in accordance with ASTM E2779-10 “Standard Test Method for Determining Particulate Matter Emissions from Pellet Heaters” and subject to the requirements of §60.534(a)(1)(i) of Subpart AAA. For this reason, we will post this

letter as ALT-146 on our website at <https://www.epa.gov/emc/broadly-applicable-approved-alternative-test-methods> for use by other interested parties. This alternative method approval is valid until such time that Subpart AAA is revised or replaced to require a different pellet heater certification method, and at such time, this alternative will be reconsidered and possibly withdrawn.

If you have additional questions regarding this approval, please contact Angelina Brashear of my staff at 919-541-4746 or brashear.angelina@epa.gov.

Sincerely,



Steffan M. Johnson
Group Leader
Measurement Technology Group

cc: Angelina Brashear – EPA/OAQPS/AQAD
Chuck French – EPA/OAQPS/SPPD
Rafael Sanchez – EPA/OECA
Robert Scinta – EPA/OECA
Michael Toney – EPA/OAQPS/AQAD
Nathan Topham – EPA/OAQPS/SPPD
John Voorhees – United States Stove Company
Chet Wayland – EPA/OAQPS/AQAD



UNITED STATES ENVIRONMENTAL PROTECTION AGENCY
RESEARCH TRIANGLE PARK, NC 27711

OFFICE OF
AIR QUALITY PLANNING
AND STANDARDS

MEMORANDUM

02/02/2022

SUBJECT: Appropriate calculation of Medium Burn Rate Category in ASTM E-2779 Testing

FROM: Steffan Johnson
Group Leader
Measurement Technology Group
Air Quality Assessment Division

**STEFFAN
JOHNSON** Digitally signed by
STEFFAN JOHNSON
Date: 2022.02.02
08:28:07 -05'00'

TO: Robert Scinta, P.E.
Chief, Air Branch
Monitoring, Assistance, and Media Programs Division
Office of Compliance, Office of Enforcement and Compliance Assurance

During a recent review of pellet heater compliance test reports, the Measurement Technology Group has uncovered an error in determining the appropriate Medium Burn Rate Category when using ASTM E-2779 for compliance pursuant to 40 CFR 60, subpart AAA. Specifically, the method requirements in section 9.4.1.2 and Table 1 of that test method incorrectly require that the Medium Burn Rate Category must fall below 50% of the maximum burn rate. This is not correct as this requirement assumes then that zero is the other bound for determining half of the maximum.

9.4.1.2 *Medium Burn Rate Category*—For burn rates in the medium segment, except as allowed in 9.4.1.4 or 9.4.1.5, the pellet heater shall be operated with the control or controls set in the position(s) as needed to achieve a burn rate that is $\leq 50\%$ of the maximum burn rate.

TABLE 1

Burn Rate Segment	Maximum	Medium	Minimum
Description	Maximum achievable	$\leq 50\%$ of Maximum	Minimum achievable
Time at Burn Rate	60 +5 / - 0 minutes	120 +5 / - 0 minutes	180 +5 / - 0 minutes

The correct application of this requirement would be to determine the Medium Burn Rate Category at a level below 50% of the span between the Maximum Burn Rate and the Low Burn Rate (a non-zero value). Ergo, the correct calculation for finding that midpoint of 50% is defined as $\frac{Max+M}{2}$.

For example, if the Maximum Burn rate of an appliance is 1.79 kg/hr and the minimum is 1.23 kg/hr, the method would currently place the 50% requirement at 0.895 kg/hr. This is unachievable on this appliance and presents an impossible compliance requirement. Applying the equation laid out above the value of 1.51 is derived and, therefore, presents an appropriate and likely attainable emissions test requirement for the Medium Burn Rate Category.

During your reviews of such emissions tests, as reported to OECA and intended for compliance certification purposes, MTG recommends applying the above procedure in order to ascertain if a Medium Burn Rate was appropriately established during a compliance test.

CC:

Sarah Ayres - OECA

Angelina Brashear – OAQPS

Alice Edwards – Alaska DEC

Chuck French – OAQPS

Robert Lischinsky - OECA

Theresa Lowe - OAQPS

Rafael Sanchez – OECA

Robert Scinta - OECA

Mike Toney – OAQPS

Nathan Topham - OAQPS

Chet Wayland – OAQPS

PELLET TEST DATA PACKET
ASTM E2779/E2515



Run 1 Data Summary

Client: Enerco
Model: PS130W
Job #: 23-236
Tracking #: 174
Test Date: 1/9/2024



Technician Signature

2/5/2024

Date

TEST RESULTS - ASTM E2779 / ASTM E2515

Client: Enerco
 Model: PS130W
 Run #: 1

Job #: 23-236
 Tracking #: 174
 Technician: AK
 Date: 1/9/2024

Burn Rate Summary	
High Burn Rate (dry kg/hr)	2.19
Medium Burn Rate (dry kg/hr)	1.28
Low Burn Rate (dry kg/hr)	0.90
Overall Burn Rate (dry kg/hr)	1.24

Medium Burn Rate Target: < 1.55 dry kg/hr

	Ambient Sample	Sample Train A	Sample Train B	1st Hour Filter - Train C
Total Sample Volume (ft ³)	40.227	68.485	65.167	8.831
Average Gas Velocity in Dilution Tunnel (ft/sec)	19.8			
Average Gas Flow Rate in Dilution Tunnel (dscf/hr)	13178.5			
Average Gas Meter Temperature (°F)	66.9	93.5	92.4	74.9
Total Sample Volume (dscf)	40.403	66.117	63.007	8.828
Average Tunnel Temperature (°F)	90.4			
Total Time of Test (min)	360			
Total Particulate Catch (mg)	0.0	7.6	8.0	2.2
Particulate Concentration, dry-standard (g/dscf)	0.0000000	0.0001149	0.0001270	0.0002492
Total PM Emissions (g)	0.00	9.09	10.04	3.28
Particulate Emission Rate (g/hr)	0.00	1.51	1.67	3.28
Emissions Factor (g/kg)	-	1.22	1.35	1.50
Difference from Average Total Particulate Emissions (g)	-	0.48	0.48	-
Difference from Average Total Particulate Emissions (%)	-	5.0%	5.0%	-
Difference from Average Emissions Factor (g/kg)	-	0.06	0.06	-

Final Average Results	
Total Particulate Emissions (g)	9.56
Particulate Emission Rate (g/hr)	1.59
Emissions Factor (g/kg)	1.29
HHV Efficiency (%)	77.5%
LHV Efficiency (%)	82.8%
CO Emissions (g/min)	0.28

Quality Checks	Requirement	Observed	Result
Dual Train Precision	Each train within 7.5% of average emissions (in grams), or emission factors within 0.5 g/kg	See Above	OK
Filter Temps	<90 °F	82.1	OK
Face Velocity	< 30 ft/min	10.7	OK
Leakage Rate	Less than 4% of average sample rate	0 cfm	OK
Ambient Temp	55-90 °F	63.8 / 68.1	OK
Negative Probe Weight Evaluation	<5% of Total Catch	Probe Catch Not Negative	OK
Pro-Rate Variation	90% of readings between 90-110%; none greater than 120% or less than 80%	See Data Tabs	OK
Medium Burn Rate	< midpoint of the high and low burn rates	1.28	OK

Overall Pellet Test Efficiency Results

Manufacturer: Enerco
Model: PS130W
Date: 01/09/24
Run: 1
Control #: 23-236
Test Duration: 360
Output Category: Integrated

Test Results in Accordance with CSA B415.1-10

	HHV Basis	LHV Basis
Overall Efficiency	77.5%	82.8%
Combustion Efficiency	99.5%	99.5%
Heat Transfer Efficiency	77.9%	83.2%

Output Rate (kJ/h)	18,291	17,351	(Btu/h)
Burn Rate (kg/h)	1.24	2.73	(lb/h)
Input (kJ/h)	23,606	22,393	(Btu/h)

Test Load Weight (dry kg)	7.44	16.40	dry lb
MC wet (%)	4.83		
MC dry (%)	5.08		
Particulate (g)	9.56		
CO (g)	101		
Test Duration (h)	6.00		

Emissions	Particulate	CO
g/MJ Output	0.09	0.92
g/kg Dry Fuel	1.29	13.60
g/h	1.59	16.86
g/min	0.03	0.28
lb/MM Btu Output	0.20	2.14

Air/Fuel Ratio (A/F)	27.49
-----------------------------	-------

VERSION: 2.4 **4/15/2010**

Max Burn Rate Segment Efficiency Results

Manufacturer: Enerco
Model: PS130W
Date: 01/09/24
Run: 1
Control #: 23-236
Test Duration: 60
Output Category: Maximum

Test Results in Accordance with CSA B415.1-10

	HHV Basis	LHV Basis
Overall Efficiency	74.5%	79.6%
Combustion Efficiency	99.5%	99.5%
Heat Transfer Efficiency	74.8%	80.0%

Output Rate (kJ/h)	31,099	29,501	(Btu/h)
Burn Rate (kg/h)	2.19	4.83	(lb/h)
Input (kJ/h)	41,759	39,613	(Btu/h)

Test Load Weight (dry kg)	2.19	4.83	dry lb
MC wet (%)	4.83		
MC dry (%)	5.08		
Particulate (g)	N/A		
CO (g)	12		
Test Duration (h)	1.00		

	Particulate	CO
Emissions		
g/MJ Output	N/A	0.38
g/kg Dry Fuel	N/A	5.45
g/h	N/A	11.95
g/min	N/A	0.20
lb/MM Btu Output	N/A	0.89

Air/Fuel Ratio (A/F)	20.41
-----------------------------	-------

VERSION:

2.4

4/15/2010

Medium Burn Rate Segment Efficiency Results

Manufacturer: Enerco
Model: PS130W
Date: 01/09/24
Run: 1
Control #: 23-236
Test Duration: 120
Output Category: Medium

Test Results in Accordance with CSA B415.1-10

	HHV Basis	LHV Basis
Overall Efficiency	78.5%	83.9%
Combustion Efficiency	99.5%	99.5%
Heat Transfer Efficiency	78.9%	84.3%

Output Rate (kJ/h)	19,068	18,088	(Btu/h)
Burn Rate (kg/h)	1.28	2.81	(lb/h)
Input (kJ/h)	24,291	23,043	(Btu/h)

Test Load Weight (dry kg)	2.55	5.62	dry lb
MC wet (%)	4.83		
MC dry (%)	5.08		
Particulate (g)	N/A		
CO (g)	24		
Test Duration (h)	2.00		

	Particulate	CO
Emissions		
g/MJ Output	N/A	0.63
g/kg Dry Fuel	N/A	9.39
g/h	N/A	11.98
g/min	N/A	0.20
lb/MM Btu Output	N/A	1.46

Air/Fuel Ratio (A/F)	25.29
-----------------------------	-------

VERSION:

2.4

4/15/2010

Minimum Burn Rate Segment Efficiency Results

Manufacturer: Enerco
Model: PS130W
Date: 01/09/24
Run: 1
Control #: 23-236
Test Duration: 180
Output Category: Minimum

Test Results in Accordance with CSA B415.1-10

	HHV Basis	LHV Basis
Overall Efficiency	78.6%	84.0%
Combustion Efficiency	99.5%	99.5%
Heat Transfer Efficiency	79.0%	84.4%

Output Rate (kJ/h)	13,437	12,746	(Btu/h)
Burn Rate (kg/h)	0.90	1.98	(lb/h)
Input (kJ/h)	17,098	16,220	(Btu/h)

Test Load Weight (dry kg)	2.69	5.94	dry lb
MC wet (%)	4.83		
MC dry (%)	5.08		
Particulate (g)	N/A		
CO (g)	64		
Test Duration (h)	3.00		

	Particulate	CO
Emissions g/MJ Output	N/A	1.59
g/kg Dry Fuel	N/A	23.77
g/h	N/A	21.35
g/min	N/A	0.36
lb/MM Btu Output	N/A	3.69

Air/Fuel Ratio (A/F)	33.29
-----------------------------	-------

VERSION:

2.4

4/15/2010

DILUTION TUNNEL & MISC. DATA - ASTM E2779 / E2515

Client: Enerco
 Model: PS130W
 Run #: 1
 Test Start Time: 9:42

Job #: 23-236
 Tracking #: 174
 Technician: AK
 Date: 1/9/2024

High Burn End Time (min): 60
 Medium Burn End Time (min): 180
 Total Sampling Time (min): 360
 Recording Interval (min): 1

Meter Box γ Factor: 1.004 (A)
 Meter Box γ Factor: 1.004 (B)
 Meter Box γ Factor: 1.011 (C)
 Meter Box γ Factor: 1.003 (Ambient)
 Induced Draft Check (in. H₂O): 0
 Smoke Capture Check (%): 100%
 Date Flue Pipe Last Cleaned: 1/8/2024
 Platform Scale Audit (lbs): 10.0

	Pre-Test	Post Test	Avg.
Barometric Pressure (in. Hg)	29.92	29.9	29.91
Relative Humidity (%)	36.5	28.9	
Room Air Velocity (ft/min)	<50	<50	
Pitot Tube Leak Check	0	0	
Ambient Sample Volume:	40.227		ft ³

Sample Train Leak Checks			
	Pre-test	Post-test	
(A)	0.000	0.000	cfm @ -6 in. Hg
(B)	0.000	0.000	cfm @ -6 in. Hg
(C)	0.000	0.000	cfm @ -5 in. Hg
(Ambient)	0.000	0.000	cfm @ -12 in. Hg

DILUTION TUNNEL FLOW

Traverse Data

Point	dP (in H ₂ O)	Temp (°F)
1	0.076	93
2	0.092	93
3	0.096	93
4	0.076	93
5	0.078	93
6	0.094	93
7	0.096	93
8	0.078	93
Center	0.089	93

Dilution Tunnel H₂O: 2.00 percent
 Tunnel Diameter: 6 inches
 Pitot Tube Cp: 0.99 [unitless]
 Dilution Tunnel MW(dry): 29.00 lb/lb-mole
 Dilution Tunnel MW(wet): 28.78 lb/lb-mole
 Tunnel Area: 0.1963 ft²

 V_{strav} : 19.838 ft/sec
 V_{scent} : 20.238 ft/sec
 F_p : 0.980 [ratio]
 Initial Tunnel Flow: 218.6 scf/min

Static Pressure: -0.160 in. H₂O

TEST FUEL PROPERTIES

Default Fuel Values		
Fuel Type:	D. Fir	Oak
HHV (kJ/kg)	19,810	19,887
%C	48.73	50
%H	6.87	6.6
%O	43.9	42.9
%Ash	0.5	0.5

Actual Fuel Used Properties	
Pellet Brand:	American Wood Fibers
Pellet Fuel Grade:	PFI Premium
HHV (BTU/lb)	8190
%C	49.21
%H	5.7
%O	44.68
%Ash	0.41
MC (%WB)	4.83

PELLET STOVE PREBURN DATA - ASTM E2779

Client: Enerco
 Model: PS130W
 Run #: 1

Job #: 23-236
 Tracking #: 174
 Technician: AK
 Date: 1/9/2024

Recording Interval (min): 1
 Run Time (min): 60

Elapsed Time (min)	Scale Reading (lbs)	Weight Change (lbs)	Average:		
			-0.070	342	67
			Flue Draft (in H ₂ O)	Flue (°F)	Ambient (°F)
0	55.0	-	-0.049	210	65
1	54.9	-0.16	-0.054	246	65
2	54.7	-0.15	-0.059	276	65
3	54.6	-0.14	-0.063	298	65
4	54.5	-0.1	-0.064	310	65
5	54.4	-0.12	-0.067	321	65
6	54.3	-0.1	-0.067	328	65
7	54.2	-0.09	-0.068	331	66
8	54.1	-0.09	-0.068	338	66
9	54.0	-0.11	-0.067	339	66
10	53.9	-0.08	-0.068	338	66
11	53.8	-0.11	-0.070	343	66
12	53.7	-0.09	-0.070	343	66
13	53.6	-0.1	-0.069	343	66
14	53.5	-0.12	-0.070	346	67
15	53.4	-0.08	-0.070	349	67
16	53.3	-0.1	-0.070	351	67
17	53.2	-0.09	-0.071	350	67
18	53.1	-0.09	-0.071	349	67
19	53.0	-0.11	-0.071	354	67
20	52.9	-0.09	-0.072	354	67
21	52.8	-0.1	-0.072	354	67
22	52.7	-0.09	-0.072	353	67
23	52.6	-0.09	-0.071	352	67
24	52.6	-0.08	-0.072	351	67
25	52.5	-0.1	-0.071	350	67
26	52.4	-0.08	-0.071	349	67
27	52.3	-0.1	-0.071	351	67
28	52.2	-0.1	-0.074	371	67
29	52.1	-0.08	-0.071	355	68
30	52.0	-0.11	-0.071	356	68
31	51.9	-0.07	-0.071	351	68
32	51.8	-0.1	-0.071	352	68
33	51.7	-0.1	-0.073	356	68
34	51.6	-0.08	-0.071	354	68
35	51.5	-0.09	-0.072	353	68
36	51.5	-0.07	-0.071	350	68
37	51.4	-0.1	-0.071	352	68
38	51.3	-0.08	-0.073	352	68
39	51.2	-0.1	-0.073	353	68
40	51.1	-0.07	-0.072	350	68
41	51.0	-0.1	-0.072	352	68
42	50.9	-0.09	-0.071	351	68
43	50.9	-0.08	-0.070	351	68
44	50.8	-0.09	-0.072	349	68
45	50.7	-0.1	-0.071	347	68
46	50.6	-0.08	-0.073	351	68
47	50.5	-0.1	-0.072	350	68

PELLET STOVE PREBURN DATA - ASTM E2779

Client: Enerco
 Model: PS130W
 Run #: 1

Job #: 23-236
 Tracking #: 174
 Technician: AK
 Date: 1/9/2024

48	50.4	-0.08	-0.071	352	68
49	50.3	-0.09	-0.070	351	68
50	50.2	-0.09	-0.073	349	68
51	50.1	-0.08	-0.071	349	68
52	50.1	-0.07	-0.070	347	68
53	50.0	-0.08	-0.069	346	68
54	49.9	-0.1	-0.072	345	68
55	49.8	-0.09	-0.072	347	68
56	49.7	-0.09	-0.072	351	68
57	49.6	-0.09	-0.072	351	68
58	49.5	-0.08	-0.076	353	68
59	49.5	-0.09	-0.072	356	68
60	49.4	-0.08	-0.071	349	68

BOX A TEST DATA - ASTM E2779 / ASTM E2515

Client: Enerco _____
 Model: PS130W _____
 Run #: 1 _____

Job #: 23-236 _____
 Tracking #: 174 _____
 Technician: AK _____
 Date: 1/9/2024 _____

Elapsed Time (min)	Particulate Sampling Data							Fuel Weight (lb)		Temperature Data (°F)			
	Gas Meter (ft ³)	Sample Rate (cfm)	Dilution Tunnel dP (in H ₂ O)	Orifice dH (in H ₂ O)	Meter Temp (°F)	Meter Vacuum (in Hg)	Pro. Rate (%)	Scale Reading	Weight Change	Dilution Tunnel	Flue	Filter	Ambient
0	68.603		0.088	1.63	71.5	1.02		17.2		107	348	70	68
1	68.728	0.125	0.088	3.01	71.4	1.15	-	17.2	-0.1	107	346	73	67.9
2	68.896	0.168	0.087	3.05	71.3	1.14	-	17.1	-0.1	106	340	73	67.9
3	69.070	0.174	0.087	3.08	71.4	1.15	-	17.0	-0.1	106	342	74	68.1
4	69.244	0.174	0.089	3.10	71.5	1.16	-	16.9	-0.1	105	342	74	67.9
5	69.417	0.173	0.088	3.13	71.6	1.16	-	16.8	-0.1	105	342	74	67.6
6	69.593	0.176	0.090	3.14	71.6	1.16	-	16.8	-0.1	106	341	75	67.7
7	69.769	0.176	0.085	3.16	71.7	1.15	-	16.7	-0.1	106	339	75	67.8
8	69.938	0.169	0.089	3.17	71.8	1.12	-	16.6	-0.1	106	339	75	67.7
9	70.116	0.178	0.089	3.19	71.9	1.13	-	16.5	-0.1	106	339	76	67.9
10	70.293	0.177	0.091	3.21	72.2	1.16	94	16.4	-0.1	105	340	76	67.8
11	70.469	0.176	0.089	3.23	72.3	1.15	-	16.4	-0.1	105	338	76	67.8
12	70.647	0.178	0.087	3.23	72.5	1.14	-	16.3	-0.1	105	337	76	67.7
13	70.823	0.176	0.088	3.25	72.7	1.13	-	16.2	-0.1	105	344	77	67.8
14	70.999	0.176	0.088	3.27	73	1.18	-	16.1	-0.1	105	345	77	67.7
15	71.183	0.184	0.090	3.28	73.2	1.15	-	16.0	-0.1	106	343	77	67.6
16	71.359	0.176	0.088	3.29	73.5	1.21	-	15.9	-0.1	106	344	77	67.6
17	71.534	0.175	0.086	3.29	73.8	1.15	-	15.8	-0.1	107	345	77	67.7
18	71.715	0.181	0.089	3.31	74.1	1.2	-	15.7	-0.1	106	346	78	67.7
19	71.897	0.182	0.089	3.31	74.4	1.17	-	15.6	-0.1	106	347	78	67.7
20	72.079	0.182	0.088	3.34	74.8	1.18	99	15.5	-0.1	106	347	78	67.8
21	72.256	0.177	0.088	3.34	75	1.16	-	15.5	-0.1	106	347	78	67.6
22	72.437	0.181	0.088	3.34	75.3	1.17	-	15.4	-0.1	106	349	78	67.7
23	72.616	0.179	0.089	3.35	75.5	1.16	-	15.3	-0.1	106	347	78	67.9
24	72.800	0.184	0.088	3.37	76	1.22	-	15.2	-0.1	106	346	78	67.7
25	72.981	0.181	0.091	3.38	76.3	1.22	-	15.1	-0.1	107	346	78	67.8
26	73.166	0.185	0.089	3.38	76.7	1.18	-	15.0	-0.1	107	346	78	67.2
27	73.342	0.176	0.090	3.39	77.1	1.22	-	15.0	-0.1	107	345	79	67.5
28	73.528	0.186	0.088	3.41	77.4	1.23	-	14.9	-0.1	107	344	79	67.9
29	73.708	0.180	0.088	3.42	77.7	1.19	-	14.8	-0.1	108	359	79	67.9
30	73.894	0.186	0.088	3.42	78.1	1.17	101	14.7	-0.1	107	347	79	67.7
31	74.080	0.186	0.088	3.42	78.4	1.22	-	14.6	-0.1	106	343	79	67.4
32	74.264	0.184	0.090	3.43	78.7	1.18	-	14.5	-0.1	106	344	79	67.7
33	74.442	0.178	0.088	3.44	79.1	1.23	-	14.4	-0.1	106	343	79	67.6

BOX A TEST DATA - ASTM E2779 / ASTM E2515

Client: Enerco _____
 Model: PS130W _____
 Run #: 1 _____

Job #: 23-236 _____
 Tracking #: 174 _____
 Technician: AK _____
 Date: 1/9/2024 _____

Elapsed Time (min)	Particulate Sampling Data							Fuel Weight (lb)		Temperature Data (°F)			
	Gas Meter (ft ³)	Sample Rate (cfm)	Dilution Tunnel dP (in H ₂ O)	Orifice dH (in H ₂ O)	Meter Temp (°F)	Meter Vacuum (in Hg)	Pro. Rate (%)	Scale Reading	Weight Change	Dilution Tunnel	Flue	Filter	Ambient
34	74.626	0.184	0.088	3.45	79.5	1.19	-	14.3	-0.1	106	346	79	67.7
35	74.810	0.184	0.089	3.44	79.7	1.22	-	14.3	-0.1	106	345	79	67.7
36	74.999	0.189	0.088	3.47	80.2	1.19	-	14.2	-0.1	107	345	79	67.8
37	75.185	0.186	0.088	3.46	80.5	1.22	-	14.1	-0.1	107	341	79	67.6
38	75.367	0.182	0.088	3.45	80.8	1.21	-	14.0	-0.1	106	337	79	67.9
39	75.556	0.189	0.087	3.47	81.2	1.24	-	13.9	-0.1	106	338	79	67.6
40	75.735	0.179	0.089	3.47	81.6	1.19	101	13.9	-0.1	106	339	79	67.6
41	75.924	0.189	0.090	3.49	81.9	1.18	-	13.8	-0.1	105	338	79	67.4
42	76.108	0.184	0.089	3.48	82.2	1.23	-	13.7	-0.1	105	341	79	67.4
43	76.292	0.184	0.092	3.50	82.5	1.25	-	13.6	-0.1	105	336	79	67.7
44	76.483	0.191	0.086	3.48	82.7	1.2	-	13.5	-0.1	105	337	79	67
45	76.666	0.183	0.090	3.49	82.9	1.25	-	13.4	-0.1	106	337	79	67.6
46	76.857	0.191	0.086	3.51	83.2	1.2	-	13.4	-0.1	106	337	79	67.7
47	77.037	0.180	0.088	3.50	83.5	1.21	-	13.3	-0.1	106	336	79	67.8
48	77.227	0.190	0.088	3.51	83.9	1.23	-	13.2	-0.1	106	337	79	67.7
49	77.409	0.182	0.089	3.51	84.1	1.2	-	13.1	-0.1	106	337	79	67.7
50	77.597	0.188	0.089	3.52	84.5	1.22	101	13.0	-0.1	105	337	79	67.7
51	77.785	0.188	0.090	3.52	84.8	1.25	-	12.9	-0.1	106	339	79	67.6
52	77.976	0.191	0.088	3.51	85.1	1.21	-	12.8	-0.1	106	342	79	67.5
53	78.160	0.184	0.086	3.51	85.4	1.22	-	12.8	-0.1	106	343	79	67.4
54	78.351	0.191	0.088	3.52	85.7	1.21	-	12.7	-0.1	106	340	79	67.3
55	78.532	0.181	0.089	3.51	85.9	1.24	-	12.6	-0.1	106	341	79	67.3
56	78.723	0.191	0.087	3.53	86.1	1.24	-	12.5	-0.1	107	344	79	67.6
57	78.910	0.187	0.087	3.53	86.4	1.24	-	12.4	-0.1	107	341	79	67.7
58	79.096	0.186	0.087	3.53	86.5	1.21	-	12.3	-0.1	107	341	79	67.7
59	79.284	0.188	0.089	3.54	86.8	1.24	-	12.2	-0.1	109	359	79	67.1
60	79.474	0.190	0.090	3.55	87.1	1.25	101	12.2	-0.1	107	345	79	65.3
61	79.662	0.188	0.092	3.55	87.4	1.25	-	12.1	-0.1	104	335	79	65.3
62	79.854	0.192	0.090	3.55	87.6	1.25	-	12.0	0.0	100	316	79	65.1
63	80.036	0.182	0.090	3.55	87.8	1.27	-	12.0	0.0	99	301	78	66.1
64	80.225	0.189	0.093	3.56	88	1.22	-	11.9	-0.1	98	289	78	65.4
65	80.416	0.191	0.091	3.55	88.3	1.22	-	11.9	-0.1	98	282	78	64.6
66	80.604	0.188	0.090	3.56	88.4	1.24	-	11.8	0.0	98	275	78	64
67	80.795	0.191	0.091	3.56	88.7	1.23	-	11.8	0.0	97	269	78	63.8

BOX A TEST DATA - ASTM E2779 / ASTM E2515

Client: Enerco _____
 Model: PS130W _____
 Run #: 1 _____

Job #: 23-236 _____
 Tracking #: 174 _____
 Technician: AK _____
 Date: 1/9/2024 _____

Elapsed Time (min)	Particulate Sampling Data							Fuel Weight (lb)		Temperature Data (°F)			
	Gas Meter (ft³)	Sample Rate (cfm)	Dilution Tunnel dP (in H ₂ O)	Orifice dH (in H ₂ O)	Meter Temp (°F)	Meter Vacuum (in Hg)	Pro. Rate (%)	Scale Reading	Weight Change	Dilution Tunnel	Flue	Filter	Ambient
68	80.981	0.186	0.090	3.56	88.9	1.21	-	11.7	0.0	97	263	77	64.2
69	81.171	0.190	0.086	3.56	88.9	1.25	-	11.7	0.0	97	260	77	65.2
70	81.362	0.191	0.089	3.56	89	1.24	101	11.7	0.0	97	256	77	65.7
71	81.549	0.187	0.088	3.56	89.1	1.23	-	11.6	0.0	97	253	77	66.2
72	81.735	0.186	0.087	3.56	89.3	1.22	-	11.5	-0.1	96	252	77	66.4
73	81.927	0.192	0.091	3.56	89.4	1.2	-	11.5	0.0	95	252	77	66.4
74	82.117	0.190	0.087	3.57	89.6	1.25	-	11.5	0.0	95	249	77	66.5
75	82.303	0.186	0.086	3.57	89.7	1.22	-	11.4	0.0	96	247	77	66.6
76	82.494	0.191	0.090	3.57	89.8	1.23	-	11.4	0.0	95	244	77	66.6
77	82.686	0.192	0.089	3.56	90	1.22	-	11.3	0.0	94	241	77	66.7
78	82.874	0.188	0.088	3.56	90.2	1.21	-	11.3	-0.1	94	238	77	66.8
79	83.067	0.193	0.089	3.58	90.3	1.25	-	11.2	0.0	93	239	77	66.7
80	83.254	0.187	0.089	3.58	90.4	1.23	101	11.2	0.0	92	237	77	66.6
81	83.447	0.193	0.088	3.58	90.6	1.24	-	11.2	0.0	93	236	77	66.8
82	83.631	0.184	0.090	3.59	90.7	1.23	-	11.1	-0.1	93	236	76	66.9
83	83.825	0.194	0.087	3.58	90.9	1.25	-	11.1	0.0	93	235	77	66.9
84	84.010	0.185	0.089	3.58	91	1.24	-	11.0	0.0	93	235	76	66.9
85	84.204	0.194	0.088	3.60	91.2	1.24	-	11.0	-0.1	92	235	76	66.7
86	84.393	0.189	0.091	3.59	91.3	1.23	-	10.9	0.0	91	236	76	66.6
87	84.585	0.192	0.091	3.59	91.4	1.25	-	10.9	0.0	91	237	76	66.7
88	84.775	0.190	0.090	3.59	91.6	1.22	-	10.8	-0.1	92	239	76	66.9
89	84.969	0.194	0.089	3.59	91.7	1.23	-	10.8	-0.1	92	239	76	67
90	85.158	0.189	0.088	3.60	91.8	1.24	101	10.7	-0.1	96	269	77	67
91	85.346	0.188	0.090	3.58	92	1.25	-	10.6	-0.1	93	253	76	67
92	85.534	0.188	0.091	3.58	92.2	1.26	-	10.6	0.0	92	247	76	66.8
93	85.724	0.190	0.089	3.60	92.4	1.24	-	10.6	0.0	91	243	76	67.1
94	85.919	0.195	0.090	3.60	92.5	1.26	-	10.5	0.0	91	240	76	66.9
95	86.108	0.189	0.088	3.59	92.5	1.21	-	10.5	0.0	91	238	76	66.9
96	86.298	0.190	0.088	3.60	92.7	1.21	-	10.4	-0.1	92	237	76	66.9
97	86.489	0.191	0.089	3.60	92.8	1.23	-	10.4	0.0	91	235	76	67
98	86.683	0.194	0.090	3.59	93	1.25	-	10.3	-0.1	91	235	76	66.9
99	86.875	0.192	0.089	3.61	93.1	1.24	-	10.3	-0.1	90	235	76	66.9
100	87.064	0.189	0.089	3.60	93.2	1.25	101	10.2	0.0	90	235	76	67
101	87.258	0.194	0.089	3.59	93.3	1.26	-	10.2	-0.1	90	236	76	67

BOX A TEST DATA - ASTM E2779 / ASTM E2515

Client: Enerco _____
 Model: PS130W _____
 Run #: 1 _____

Job #: 23-236 _____
 Tracking #: 174 _____
 Technician: AK _____
 Date: 1/9/2024 _____

Elapsed Time (min)	Particulate Sampling Data							Fuel Weight (lb)		Temperature Data (°F)			
	Gas Meter (ft³)	Sample Rate (cfm)	Dilution Tunnel dP (in H ₂ O)	Orifice dH (in H ₂ O)	Meter Temp (°F)	Meter Vacuum (in Hg)	Pro. Rate (%)	Scale Reading	Weight Change	Dilution Tunnel	Flue	Filter	Ambient
102	87.446	0.188	0.090	3.61	93.4	1.21	-	10.1	0.0	89	236	76	67
103	87.640	0.194	0.091	3.60	93.5	1.23	-	10.1	0.0	89	236	76	67
104	87.825	0.185	0.090	3.61	93.6	1.25	-	10.0	-0.1	90	235	76	67.1
105	88.021	0.196	0.090	3.60	93.7	1.23	-	10.0	0.0	91	236	76	67.1
106	88.208	0.187	0.088	3.60	93.8	1.27	-	9.9	0.0	91	235	76	67.1
107	88.399	0.191	0.089	3.61	94	1.26	-	9.9	-0.1	90	235	76	67.1
108	88.596	0.197	0.091	3.60	94	1.27	-	9.8	-0.1	90	238	76	67
109	88.787	0.191	0.089	3.61	94.1	1.22	-	9.8	0.0	90	238	76	67
110	88.976	0.189	0.091	3.62	94.2	1.23	100	9.7	0.0	89	238	76	66.9
111	89.173	0.197	0.089	3.61	94.4	1.27	-	9.7	-0.1	89	239	76	66.9
112	89.361	0.188	0.087	3.61	94.4	1.26	-	9.6	0.0	89	237	76	66.9
113	89.555	0.194	0.088	3.61	94.5	1.22	-	9.6	0.0	89	236	76	67
114	89.744	0.189	0.090	3.61	94.6	1.24	-	9.6	0.0	89	235	76	67
115	89.935	0.191	0.089	3.62	94.7	1.23	-	9.5	-0.1	90	236	76	67
116	90.128	0.193	0.089	3.62	94.8	1.23	-	9.4	-0.1	90	237	76	67
117	90.318	0.190	0.089	3.62	94.8	1.23	-	9.4	-0.1	90	237	76	67
118	90.512	0.194	0.089	3.63	94.9	1.24	-	9.4	0.0	90	237	76	67.1
119	90.700	0.188	0.090	3.60	95	1.25	-	9.3	-0.1	90	237	76	67
120	90.896	0.196	0.088	3.63	95	1.24	101	9.3	0.0	94	266	76	67.1
121	91.086	0.190	0.089	3.61	95.1	1.25	-	9.2	0.0	92	256	76	67
122	91.280	0.194	0.089	3.61	95.2	1.25	-	9.1	-0.1	90	248	76	66.9
123	91.471	0.191	0.089	3.63	95.3	1.22	-	9.1	0.0	90	243	76	67
124	91.667	0.196	0.088	3.62	95.3	1.24	-	9.0	-0.1	91	242	76	67
125	91.855	0.188	0.089	3.62	95.4	1.21	-	9.0	0.0	91	241	76	67.1
126	92.047	0.192	0.088	3.62	95.4	1.24	-	8.9	-0.1	90	240	76	67.1
127	92.243	0.196	0.089	3.61	95.5	1.27	-	8.9	0.0	90	238	76	67.2
128	92.429	0.186	0.090	3.62	95.6	1.25	-	8.9	-0.1	89	238	76	66.9
129	92.625	0.196	0.090	3.62	95.6	1.24	-	8.8	-0.1	89	238	76	67.1
130	92.814	0.189	0.088	3.62	95.7	1.27	101	8.7	0.0	89	238	75	67.2
131	93.005	0.191	0.089	3.61	95.8	1.27	-	8.7	0.0	89	238	76	67
132	93.197	0.192	0.089	3.62	95.8	1.26	-	8.7	0.0	89	237	75	67
133	93.393	0.196	0.089	3.62	95.9	1.24	-	8.6	-0.1	90	236	76	67.1
134	93.583	0.190	0.088	3.62	96	1.24	-	8.6	0.0	90	235	76	66.9
135	93.776	0.193	0.089	3.63	96	1.24	-	8.5	0.0	90	235	76	67

BOX A TEST DATA - ASTM E2779 / ASTM E2515

Client: Enerco _____
 Model: PS130W _____
 Run #: 1 _____

Job #: 23-236 _____
 Tracking #: 174 _____
 Technician: AK _____
 Date: 1/9/2024 _____

Elapsed Time (min)	Particulate Sampling Data							Fuel Weight (lb)		Temperature Data (°F)			
	Gas Meter (ft³)	Sample Rate (cfm)	Dilution Tunnel dP (in H ₂ O)	Orifice dH (in H ₂ O)	Meter Temp (°F)	Meter Vacuum (in Hg)	Pro. Rate (%)	Scale Reading	Weight Change	Dilution Tunnel	Flue	Filter	Ambient
136	93.972	0.196	0.089	3.62	96.1	1.26	-	8.5	0.0	90	234	76	67.3
137	94.163	0.191	0.090	3.63	96.1	1.24	-	8.4	-0.1	89	235	76	67.1
138	94.354	0.191	0.090	3.63	96.1	1.25	-	8.4	0.0	89	233	75	67.2
139	94.550	0.196	0.090	3.64	96.2	1.28	-	8.3	-0.1	89	233	75	67.1
140	94.740	0.190	0.090	3.62	96.3	1.23	101	8.3	0.0	89	234	75	67
141	94.931	0.191	0.091	3.62	96.3	1.23	-	8.2	-0.1	89	233	75	67.2
142	95.123	0.192	0.089	3.62	96.3	1.27	-	8.2	0.0	90	234	75	67
143	95.318	0.195	0.091	3.62	96.4	1.22	-	8.1	0.0	90	234	76	67.2
144	95.508	0.190	0.089	3.63	96.5	1.27	-	8.1	0.0	89	233	76	67.1
145	95.699	0.191	0.089	3.62	96.5	1.24	-	8.0	-0.1	89	232	76	67
146	95.893	0.194	0.091	3.63	96.5	1.24	-	8.0	0.0	89	233	75	67
147	96.090	0.197	0.091	3.63	96.6	1.23	-	7.9	0.0	89	233	75	67
148	96.282	0.192	0.091	3.62	96.7	1.28	-	7.9	-0.1	88	233	75	67
149	96.475	0.193	0.089	3.62	96.6	1.24	-	7.8	-0.1	89	234	75	67.2
150	96.666	0.191	0.091	3.63	96.6	1.26	100	7.8	0.0	89	235	75	67.3
151	96.859	0.193	0.090	3.63	96.7	1.22	-	7.7	-0.1	94	266	76	67.3
152	97.051	0.192	0.089	3.62	96.7	1.25	-	7.7	0.0	91	248	76	67.3
153	97.244	0.193	0.090	3.63	96.7	1.24	-	7.6	-0.1	90	243	76	67.3
154	97.441	0.197	0.089	3.63	96.7	1.22	-	7.6	0.0	90	239	75	67.4
155	97.632	0.191	0.088	3.61	96.8	1.23	-	7.5	0.0	89	237	75	67.3
156	97.820	0.188	0.091	3.63	96.8	1.25	-	7.5	-0.1	89	237	75	67.3
157	98.013	0.193	0.089	3.63	96.9	1.25	-	7.4	0.0	89	236	75	67.3
158	98.209	0.196	0.090	3.63	97	1.25	-	7.4	-0.1	89	236	75	67.2
159	98.400	0.191	0.090	3.62	97	1.24	-	7.3	-0.1	89	237	75	67.3
160	98.594	0.194	0.089	3.64	97.1	1.27	100	7.3	0.0	90	237	75	67.3
161	98.788	0.194	0.089	3.63	97.1	1.26	-	7.2	0.0	90	237	76	67.2
162	98.981	0.193	0.089	3.63	97.2	1.24	-	7.2	-0.1	89	236	76	67.2
163	99.174	0.193	0.090	3.63	97.2	1.24	-	7.1	0.0	89	235	76	67
164	99.366	0.192	0.088	3.64	97.2	1.23	-	7.1	0.0	89	234	76	67.1
165	99.559	0.193	0.090	3.62	97.2	1.27	-	7.0	-0.1	89	235	75	67.1
166	99.751	0.192	0.090	3.62	97.2	1.23	-	7.0	0.0	89	234	75	67.2
167	99.943	0.192	0.092	3.63	97.2	1.24	-	6.9	0.0	89	235	75	67.2
168	100.141	0.198	0.089	3.62	97.4	1.29	-	6.9	0.0	89	233	75	67.2
169	100.333	0.192	0.090	3.62	97.4	1.25	-	6.9	0.0	89	233	75	67.1

BOX A TEST DATA - ASTM E2779 / ASTM E2515

Client: Enerco _____
 Model: PS130W _____
 Run #: 1 _____

Job #: 23-236 _____
 Tracking #: 174 _____
 Technician: AK _____
 Date: 1/9/2024 _____

Elapsed Time (min)	Particulate Sampling Data							Fuel Weight (lb)		Temperature Data (°F)			
	Gas Meter (ft ³)	Sample Rate (cfm)	Dilution Tunnel dP (in H ₂ O)	Orifice dH (in H ₂ O)	Meter Temp (°F)	Meter Vacuum (in Hg)	Pro. Rate (%)	Scale Reading	Weight Change	Dilution Tunnel	Flue	Filter	Ambient
170	100.524	0.191	0.088	3.63	97.4	1.24	101	6.8	-0.1	90	234	75	67
171	100.716	0.192	0.090	3.62	97.5	1.26	-	6.7	-0.1	90	234	75	67.3
172	100.910	0.194	0.090	3.63	97.5	1.23	-	6.7	-0.1	89	234	75	67.2
173	101.102	0.192	0.091	3.63	97.6	1.27	-	6.6	0.0	89	233	75	67.1
174	101.294	0.192	0.089	3.63	97.6	1.28	-	6.5	-0.1	89	232	75	67.1
175	101.488	0.194	0.090	3.64	97.6	1.26	-	6.5	-0.1	89	232	76	67
176	101.682	0.194	0.089	3.62	97.7	1.27	-	6.4	-0.1	89	233	76	67
177	101.871	0.189	0.089	3.63	97.6	1.28	-	6.4	0.0	88	233	75	66.9
178	102.066	0.195	0.091	3.62	97.6	1.26	-	6.3	0.0	88	233	75	67.1
179	102.260	0.194	0.090	3.62	97.6	1.26	-	6.3	-0.1	88	232	75	67
180	102.456	0.196	0.092	3.62	97.5	1.28	100	6.2	0.0	89	232	75	67.1
181	102.648	0.192	0.090	3.61	97.6	1.25	-	6.2	0.0	93	259	76	67.3
182	102.839	0.191	0.087	3.63	97.7	1.27	-	6.2	0.0	91	250	76	67.4
183	103.031	0.192	0.089	3.61	97.6	1.26	-	6.1	-0.1	89	236	76	67.4
184	103.222	0.191	0.089	3.61	97.7	1.28	-	6.1	0.0	88	228	76	67.2
185	103.414	0.192	0.090	3.63	97.8	1.26	-	6.0	0.0	88	222	76	67.1
186	103.608	0.194	0.089	3.63	97.8	1.24	-	6.0	0.0	87	219	75	67
187	103.804	0.196	0.090	3.62	97.8	1.29	-	6.0	0.0	87	217	75	67.1
188	103.995	0.191	0.089	3.62	97.8	1.25	-	5.9	0.0	86	214	75	67
189	104.189	0.194	0.090	3.63	97.9	1.28	-	5.9	0.0	86	213	75	67.2
190	104.384	0.195	0.089	3.64	97.9	1.27	100	5.9	0.0	87	213	75	67.2
191	104.573	0.189	0.091	3.63	97.9	1.24	-	5.8	0.0	87	212	75	67.2
192	104.767	0.194	0.090	3.62	97.9	1.27	-	5.8	0.0	87	210	75	67.4
193	104.961	0.194	0.091	3.64	97.8	1.27	-	5.8	0.0	87	208	75	67.2
194	105.155	0.194	0.090	3.63	97.8	1.25	-	5.7	0.0	87	205	75	67.3
195	105.351	0.196	0.089	3.62	97.7	1.27	-	5.7	0.0	86	203	75	67.3
196	105.540	0.189	0.090	3.62	97.8	1.24	-	5.7	0.0	86	204	75	67.3
197	105.733	0.193	0.091	3.62	97.9	1.25	-	5.6	0.0	85	203	75	67.3
198	105.929	0.196	0.090	3.63	97.9	1.24	-	5.6	0.0	85	203	75	67.1
199	106.117	0.188	0.088	3.62	97.9	1.29	-	5.6	0.0	85	203	75	66.9
200	106.310	0.193	0.092	3.63	97.9	1.25	99	5.5	0.0	85	203	75	66.9
201	106.507	0.197	0.089	3.62	97.9	1.26	-	5.5	0.0	86	203	75	66.9
202	106.695	0.188	0.088	3.62	98	1.26	-	5.4	0.0	87	202	75	66.9
203	106.889	0.194	0.087	3.64	98	1.26	-	5.4	0.0	87	203	75	66.9

BOX A TEST DATA - ASTM E2779 / ASTM E2515

Client: Enerco _____
 Model: PS130W _____
 Run #: 1 _____

Job #: 23-236 _____
 Tracking #: 174 _____
 Technician: AK _____
 Date: 1/9/2024 _____

Elapsed Time (min)	Particulate Sampling Data							Fuel Weight (lb)		Temperature Data (°F)			
	Gas Meter (ft ³)	Sample Rate (cfm)	Dilution Tunnel dP (in H ₂ O)	Orifice dH (in H ₂ O)	Meter Temp (°F)	Meter Vacuum (in Hg)	Pro. Rate (%)	Scale Reading	Weight Change	Dilution Tunnel	Flue	Filter	Ambient
204	107.085	0.196	0.089	3.63	98	1.29	-	5.4	0.0	86	203	75	66.8
205	107.279	0.194	0.089	3.63	97.9	1.26	-	5.3	0.0	86	203	75	67
206	107.469	0.190	0.090	3.63	98	1.25	-	5.3	0.0	86	202	75	66.8
207	107.666	0.197	0.088	3.63	98	1.28	-	5.3	0.0	85	201	75	67
208	107.860	0.194	0.089	3.63	98.1	1.29	-	5.2	0.0	85	200	75	66.9
209	108.050	0.190	0.090	3.63	98.1	1.29	-	5.2	0.0	85	199	75	66.8
210	108.246	0.196	0.091	3.61	98.1	1.28	99	5.2	0.0	85	199	75	66.7
211	108.436	0.190	0.091	3.63	98.1	1.27	-	5.1	0.0	85	199	75	66.8
212	108.632	0.196	0.091	3.62	98.1	1.31	-	5.1	0.0	90	224	75	66.6
213	108.824	0.192	0.086	3.62	98.2	1.25	-	5.1	0.0	88	209	75	66.6
214	109.012	0.188	0.089	3.62	98.2	1.3	-	5.1	0.0	87	201	75	66.7
215	109.208	0.196	0.090	3.64	98.2	1.25	-	5.0	-0.1	86	198	75	66.6
216	109.397	0.189	0.089	3.62	98.2	1.28	-	5.0	0.0	86	198	75	66.6
217	109.592	0.195	0.089	3.62	98.2	1.28	-	4.9	0.0	85	197	75	66.6
218	109.786	0.194	0.091	3.61	98.3	1.27	-	4.9	0.0	85	197	75	66.7
219	109.980	0.194	0.090	3.63	98.3	1.26	-	4.9	0.0	85	196	75	66.6
220	110.169	0.189	0.089	3.62	98.3	1.27	99	4.8	0.0	85	195	75	66.4
221	110.363	0.194	0.089	3.63	98.3	1.27	-	4.8	0.0	85	195	75	66.4
222	110.559	0.196	0.090	3.63	98.3	1.27	-	4.8	-0.1	84	197	75	66.5
223	110.750	0.191	0.092	3.61	98.3	1.3	-	4.7	0.0	84	197	75	66.5
224	110.942	0.192	0.091	3.62	98.3	1.29	-	4.7	0.0	85	197	75	66.7
225	111.138	0.196	0.087	3.62	98.3	1.25	-	4.7	0.0	86	197	75	66.6
226	111.328	0.190	0.092	3.61	98.3	1.28	-	4.6	0.0	86	197	75	66.6
227	111.524	0.196	0.090	3.62	98.3	1.27	-	4.6	0.0	85	198	75	66.6
228	111.714	0.190	0.088	3.62	98.3	1.27	-	4.6	0.0	85	197	75	66.5
229	111.907	0.193	0.089	3.61	98.2	1.25	-	4.5	0.0	85	196	75	66.4
230	112.100	0.193	0.089	3.61	98.3	1.29	100	4.5	0.0	85	196	75	66.5
231	112.293	0.193	0.087	3.61	98.3	1.27	-	4.5	0.0	85	197	75	66.7
232	112.485	0.192	0.087	3.63	98.2	1.27	-	4.4	0.0	84	196	75	66.8
233	112.676	0.191	0.089	3.62	98.2	1.32	-	4.4	-0.1	84	197	74	66.8
234	112.873	0.197	0.090	3.62	98.2	1.25	-	4.4	0.0	84	197	74	66.8
235	113.065	0.192	0.087	3.61	98.3	1.29	-	4.3	0.0	84	196	74	66.8
236	113.257	0.192	0.091	3.63	98.3	1.31	-	4.3	0.0	84	196	74	66.7
237	113.450	0.193	0.091	3.61	98.2	1.32	-	4.2	0.0	84	196	74	66.6

BOX A TEST DATA - ASTM E2779 / ASTM E2515

Client: Enerco _____
 Model: PS130W _____
 Run #: 1 _____

Job #: 23-236 _____
 Tracking #: 174 _____
 Technician: AK _____
 Date: 1/9/2024 _____

Elapsed Time (min)	Particulate Sampling Data							Fuel Weight (lb)		Temperature Data (°F)			
	Gas Meter (ft ³)	Sample Rate (cfm)	Dilution Tunnel dP (in H ₂ O)	Orifice dH (in H ₂ O)	Meter Temp (°F)	Meter Vacuum (in Hg)	Pro. Rate (%)	Scale Reading	Weight Change	Dilution Tunnel	Flue	Filter	Ambient
238	113.642	0.192	0.090	3.62	98.2	1.26	-	4.2	0.0	84	196	74	66.6
239	113.838	0.196	0.090	3.61	98.3	1.28	-	4.2	0.0	85	196	74	66.4
240	114.031	0.193	0.090	3.62	98.2	1.24	100	4.1	0.0	85	195	74	66.5
241	114.224	0.193	0.091	3.62	98.3	1.27	-	4.1	0.0	85	195	75	66.6
242	114.414	0.190	0.088	3.61	98.2	1.28	-	4.1	0.0	88	215	75	66.5
243	114.606	0.192	0.089	3.61	98.2	1.3	-	4.0	-0.1	87	215	75	66.5
244	114.800	0.194	0.090	3.62	98.2	1.28	-	4.0	0.0	85	206	75	66.5
245	114.991	0.191	0.089	3.61	98.2	1.31	-	4.0	0.0	84	201	74	66.6
246	115.181	0.190	0.089	3.61	98.1	1.29	-	3.9	0.0	84	198	74	66.8
247	115.378	0.197	0.091	3.62	98.1	1.3	-	3.9	0.0	84	198	74	66.8
248	115.571	0.193	0.091	3.62	98.1	1.31	-	3.9	0.0	84	196	74	66.7
249	115.763	0.192	0.090	3.61	98.1	1.27	-	3.8	0.0	84	194	74	66.5
250	115.955	0.192	0.089	3.62	98.1	1.28	100	3.8	0.0	84	194	74	66.6
251	116.151	0.196	0.090	3.62	98.1	1.28	-	3.8	0.0	85	193	74	66.9
252	116.343	0.192	0.089	3.61	98.1	1.26	-	3.7	0.0	85	193	74	66.7
253	116.536	0.193	0.091	3.61	98.1	1.3	-	3.7	0.0	85	193	74	66.7
254	116.725	0.189	0.092	3.60	98.2	1.29	-	3.7	0.0	85	192	74	66.9
255	116.921	0.196	0.092	3.61	98.1	1.28	-	3.6	0.0	84	191	74	67
256	117.111	0.190	0.089	3.61	98.1	1.31	-	3.6	0.0	84	191	74	67.1
257	117.303	0.192	0.090	3.61	98.1	1.27	-	3.6	0.0	84	190	74	66.8
258	117.496	0.193	0.088	3.61	98.3	1.31	-	3.5	0.0	84	190	74	66.8
259	117.695	0.199	0.090	3.61	98.2	1.3	-	3.5	0.0	83	193	74	66.5
260	117.881	0.186	0.089	3.61	98.2	1.31	100	3.5	0.0	83	194	74	66.7
261	118.072	0.191	0.090	3.61	98.2	1.3	-	3.4	0.0	83	195	74	66.7
262	118.265	0.193	0.090	3.62	98.2	1.3	-	3.4	-0.1	84	193	74	66.8
263	118.457	0.192	0.089	3.60	98.3	1.29	-	3.4	0.0	85	193	74	66.6
264	118.654	0.197	0.090	3.60	98.3	1.3	-	3.3	0.0	85	194	74	66.6
265	118.847	0.193	0.089	3.61	98.3	1.3	-	3.3	0.0	85	194	74	66.7
266	119.036	0.189	0.089	3.61	98.3	1.29	-	3.3	0.0	84	193	74	66.7
267	119.231	0.195	0.090	3.60	98.2	1.31	-	3.2	0.0	84	191	74	66.7
268	119.421	0.190	0.092	3.61	98.2	1.31	-	3.2	0.0	84	191	74	66.6
269	119.616	0.195	0.090	3.59	98.2	1.31	-	3.2	0.0	83	189	74	66.7
270	119.803	0.187	0.089	3.62	98.2	1.31	100	3.1	0.0	83	191	74	67
271	119.996	0.193	0.091	3.59	98.2	1.28	-	3.1	0.0	83	192	74	66.8

BOX A TEST DATA - ASTM E2779 / ASTM E2515

Client: Enerco _____
 Model: PS130W _____
 Run #: 1 _____

Job #: 23-236 _____
 Tracking #: 174 _____
 Technician: AK _____
 Date: 1/9/2024 _____

Elapsed Time (min)	Particulate Sampling Data							Fuel Weight (lb)		Temperature Data (°F)			
	Gas Meter (ft ³)	Sample Rate (cfm)	Dilution Tunnel dP (in H ₂ O)	Orifice dH (in H ₂ O)	Meter Temp (°F)	Meter Vacuum (in Hg)	Pro. Rate (%)	Scale Reading	Weight Change	Dilution Tunnel	Flue	Filter	Ambient
272	120.188	0.192	0.090	3.60	98.2	1.31	-	3.1	0.0	83	193	74	66.8
273	120.383	0.195	0.090	3.60	98.2	1.3	-	3.0	0.0	88	220	74	66.7
274	120.576	0.193	0.091	3.60	98.3	1.29	-	3.0	-0.1	86	206	74	66.7
275	120.767	0.191	0.090	3.61	98.3	1.29	-	3.0	0.0	86	200	74	66.7
276	120.959	0.192	0.090	3.59	98.3	1.31	-	3.0	0.0	85	196	74	66.8
277	121.155	0.196	0.090	3.60	98.3	1.32	-	2.9	0.0	85	193	74	66.6
278	121.346	0.191	0.089	3.60	98.3	1.31	-	2.9	0.0	84	193	74	66.5
279	121.538	0.192	0.092	3.60	98.4	1.31	-	2.8	0.0	84	192	74	66.7
280	121.733	0.195	0.091	3.60	98.4	1.3	100	2.8	0.0	84	192	74	66.7
281	121.926	0.193	0.089	3.60	98.4	1.3	-	2.8	-0.1	84	193	74	66.6
282	122.114	0.188	0.092	3.59	98.4	1.27	-	2.7	0.0	83	192	74	66.6
283	122.305	0.191	0.090	3.60	98.3	1.3	-	2.7	0.0	83	193	74	66.6
284	122.500	0.195	0.090	3.60	98.2	1.3	-	2.7	0.0	83	192	74	66.8
285	122.693	0.193	0.090	3.60	98.3	1.3	-	2.6	0.0	83	191	74	66.6
286	122.880	0.187	0.092	3.58	98.3	1.29	-	2.6	0.0	84	191	74	66.5
287	123.074	0.194	0.088	3.61	98.3	1.32	-	2.6	0.0	85	192	74	66.7
288	123.270	0.196	0.089	3.59	98.3	1.35	-	2.5	0.0	85	192	74	66.5
289	123.463	0.193	0.089	3.58	98.2	1.31	-	2.5	0.0	84	190	74	66.9
290	123.655	0.192	0.092	3.59	98.2	1.31	98	2.5	0.0	84	190	74	66.9
291	123.846	0.191	0.090	3.59	98.2	1.33	-	2.5	0.0	84	191	74	66.8
292	124.038	0.192	0.090	3.59	98.2	1.29	-	2.4	0.0	83	191	74	66.9
293	124.230	0.192	0.089	3.59	98.3	1.28	-	2.4	0.0	83	192	74	66.6
294	124.423	0.193	0.090	3.60	98.3	1.31	-	2.3	0.0	83	192	74	66.6
295	124.618	0.195	0.090	3.59	98.4	1.31	-	2.3	0.0	83	192	74	66.5
296	124.808	0.190	0.092	3.59	98.3	1.34	-	2.3	0.0	83	191	74	66.6
297	124.999	0.191	0.090	3.59	98.3	1.33	-	2.2	0.0	83	190	74	66.7
298	125.192	0.193	0.092	3.57	98.2	1.33	-	2.2	0.0	84	190	74	66.7
299	125.383	0.191	0.090	3.59	98.3	1.32	-	2.2	0.0	85	191	74	66.6
300	125.572	0.189	0.090	3.59	98.3	1.3	99	2.1	0.0	85	192	74	66.4
301	125.769	0.197	0.089	3.59	98.2	1.29	-	2.1	0.0	84	191	74	66.5
302	125.961	0.192	0.089	3.58	98.2	1.31	-	2.1	0.0	84	190	74	66.6
303	126.153	0.192	0.088	3.59	98.3	1.3	-	2.0	0.0	86	207	74	66.7
304	126.347	0.194	0.089	3.58	98.3	1.35	-	2.0	0.0	86	211	74	66.7
305	126.539	0.192	0.089	3.58	98.3	1.31	-	2.0	0.0	84	202	74	66.6

BOX A TEST DATA - ASTM E2779 / ASTM E2515

Client: Enerco _____
 Model: PS130W _____
 Run #: 1 _____

Job #: 23-236 _____
 Tracking #: 174 _____
 Technician: AK _____
 Date: 1/9/2024 _____

Elapsed Time (min)	Particulate Sampling Data							Fuel Weight (lb)		Temperature Data (°F)			
	Gas Meter (ft ³)	Sample Rate (cfm)	Dilution Tunnel dP (in H ₂ O)	Orifice dH (in H ₂ O)	Meter Temp (°F)	Meter Vacuum (in Hg)	Pro. Rate (%)	Scale Reading	Weight Change	Dilution Tunnel	Flue	Filter	Ambient
306	126.730	0.191	0.090	3.58	98.2	1.34	-	1.9	0.0	84	199	74	66.6
307	126.923	0.193	0.091	3.59	98.3	1.33	-	1.9	0.0	83	197	74	66.6
308	127.110	0.187	0.090	3.58	98.3	1.31	-	1.9	0.0	83	196	74	66.5
309	127.301	0.191	0.090	3.59	98.3	1.34	-	1.8	0.0	83	195	74	66.4
310	127.493	0.192	0.090	3.59	98.4	1.35	99	1.8	0.0	83	194	74	66.3
311	127.685	0.192	0.092	3.58	98.3	1.35	-	1.8	0.0	83	193	74	66.3
312	127.876	0.191	0.091	3.59	98.4	1.32	-	1.7	0.0	84	193	74	66.3
313	128.069	0.193	0.090	3.59	98.3	1.32	-	1.7	0.0	85	194	74	66.3
314	128.262	0.193	0.089	3.58	98.3	1.32	-	1.6	0.0	85	195	74	66.4
315	128.453	0.191	0.091	3.58	98.4	1.32	-	1.6	0.0	84	197	74	66.4
316	128.647	0.194	0.091	3.59	98.4	1.3	-	1.6	0.0	84	197	74	66.4
317	128.840	0.193	0.090	3.58	98.3	1.32	-	1.5	0.0	84	197	74	66.4
318	129.035	0.195	0.090	3.58	98.4	1.33	-	1.5	0.0	83	196	74	66.4
319	129.227	0.192	0.091	3.59	98.4	1.34	-	1.5	0.0	83	191	74	66.5
320	129.420	0.193	0.090	3.58	98.4	1.33	99	1.5	0.0	83	190	74	66.4
321	129.610	0.190	0.091	3.57	98.3	1.34	-	1.4	0.0	83	191	74	66.5
322	129.800	0.190	0.090	3.58	98.3	1.33	-	1.4	0.0	83	191	74	66.5
323	129.993	0.193	0.091	3.60	98.3	1.35	-	1.3	0.0	84	192	74	66.4
324	130.185	0.192	0.089	3.58	98.3	1.36	-	1.3	0.0	84	192	74	66.4
325	130.373	0.188	0.090	3.58	98.2	1.31	-	1.3	0.0	85	193	74	66.3
326	130.566	0.193	0.090	3.58	98.2	1.37	-	1.2	0.0	84	193	74	66.4
327	130.758	0.192	0.091	3.58	98.2	1.34	-	1.2	0.0	84	194	74	66.6
328	130.950	0.192	0.089	3.58	98.2	1.32	-	1.2	0.0	84	195	74	66.6
329	131.146	0.196	0.089	3.58	98.1	1.35	-	1.1	0.0	83	195	74	66.5
330	131.339	0.193	0.089	3.58	98.2	1.29	99	1.1	0.0	83	195	74	66.6
331	131.531	0.192	0.089	3.59	98.2	1.34	-	1.1	0.0	83	196	74	66.7
332	131.723	0.192	0.090	3.58	98.2	1.34	-	1.0	0.0	83	197	74	66.6
333	131.915	0.192	0.091	3.59	98.3	1.34	-	1.0	0.0	83	196	74	66.4
334	132.101	0.186	0.091	3.58	98.3	1.37	-	0.9	0.0	88	227	74	66.4
335	132.293	0.192	0.089	3.58	98.2	1.34	-	0.9	-0.1	85	214	74	66.5
336	132.489	0.196	0.091	3.58	98.1	1.3	-	0.9	0.0	85	206	74	66.5
337	132.680	0.191	0.089	3.57	98.2	1.34	-	0.8	0.0	85	204	74	66.4
338	132.868	0.188	0.088	3.58	98.3	1.32	-	0.8	0.0	85	202	74	66.2
339	133.062	0.194	0.090	3.58	98.3	1.31	-	0.7	-0.1	85	201	74	66.5

BOX A TEST DATA - ASTM E2779 / ASTM E2515

Client: Enerco _____
 Model: PS130W _____
 Run #: 1 _____

Job #: 23-236 _____
 Tracking #: 174 _____
 Technician: AK _____
 Date: 1/9/2024 _____

Elapsed Time (min)	Particulate Sampling Data							Fuel Weight (lb)		Temperature Data (°F)			
	Gas Meter (ft ³)	Sample Rate (cfm)	Dilution Tunnel dP (in H ₂ O)	Orifice dH (in H ₂ O)	Meter Temp (°F)	Meter Vacuum (in Hg)	Pro. Rate (%)	Scale Reading	Weight Change	Dilution Tunnel	Flue	Filter	Ambient
340	133.253	0.191	0.090	3.58	98.3	1.31	99	0.7	0.0	84	200	74	66.5
341	133.449	0.196	0.092	3.59	98.4	1.35	-	0.7	0.0	84	200	74	66.5
342	133.642	0.193	0.090	3.57	98.3	1.34	-	0.6	0.0	84	199	74	66.5
343	133.831	0.189	0.092	3.57	98.2	1.32	-	0.6	0.0	84	199	74	66.5
344	134.025	0.194	0.091	3.57	98.3	1.34	-	0.6	0.0	84	199	74	66.6
345	134.218	0.193	0.090	3.59	98.3	1.34	-	0.5	-0.1	83	198	74	66.7
346	134.410	0.192	0.089	3.57	98.2	1.32	-	0.5	0.0	83	197	74	66.5
347	134.596	0.186	0.091	3.58	98.2	1.35	-	0.5	0.0	83	199	74	66.7
348	134.788	0.192	0.091	3.58	98.2	1.32	-	0.4	0.0	84	198	74	66.6
349	134.983	0.195	0.091	3.57	98.2	1.33	-	0.4	0.0	85	197	74	66.5
350	135.173	0.190	0.089	3.58	98.3	1.33	100	0.4	0.0	85	194	74	66.4
351	135.366	0.193	0.092	3.57	98.4	1.33	-	0.4	0.0	84	193	74	66.5
352	135.559	0.193	0.091	3.57	98.3	1.32	-	0.3	0.0	84	192	74	66.3
353	135.747	0.188	0.091	3.58	98.3	1.35	-	0.3	0.0	84	193	74	66.4
354	135.943	0.196	0.089	3.58	98.4	1.34	-	0.2	0.0	84	193	74	66.5
355	136.133	0.190	0.089	3.57	98.3	1.38	-	0.2	-0.1	84	194	74	66.3
356	136.324	0.191	0.090	3.56	98.3	1.34	-	0.2	0.0	84	195	74	66.5
357	136.518	0.194	0.089	3.57	98.4	1.37	-	0.1	0.0	83	195	74	66.3
358	136.707	0.189	0.089	3.56	98.3	1.34	-	0.1	0.0	83	197	74	66.5
359	136.900	0.193	0.089	3.57	98.3	1.34	-	0.0	0.0	83	198	74	66.5
360	137.088	0.188	0.091	3.58	98.3	1.38	99	0.0	0.0	83	198	74	66.5
Avg/Tot	68.485	0.190	0.089	3.56	93	1.26	100			90	237	75	67

BOX B TEST DATA - ASTM E2779 / ASTM E2515

Client: Enerco
 Model: PS130W
 Run #: 1

Job #: 23-236
 Tracking #: 174
 Technician: AK
 Date: 1/9/2024

Elapsed Time (min)	Particulate Sampling Data							Flue Gas Data		
	Gas Meter (ft ³)	Sample Rate (cfm)	Orifice dH (in H ₂ O)	Meter Temp (°F)	Meter Vacuum (in Hg)	Pro. Rate (%)	Filter (°F)	Flue Draft (in H ₂ O)	CO ₂ (%)	CO (%)
0	0.000		1.90	71.7	2.09		73	-0.071	5.70	0.02
1	0.132	0.132	3.23	71.7	2.08	-	75	-0.070	5.78	0.03
2	0.301	0.169	3.23	71.7	2.09	-	76	-0.070	4.74	0.06
3	0.476	0.175	3.23	71.7	2.18	-	77	-0.072	5.70	0.03
4	0.654	0.178	3.22	71.8	1.82	-	77	-0.074	5.98	0.02
5	0.829	0.175	3.23	71.8	2.17	-	78	-0.069	5.50	0.04
6	1.001	0.172	3.22	71.9	1.72	-	78	-0.070	5.03	0.04
7	1.176	0.175	3.24	72	2.08	-	78	-0.071	6.98	0.01
8	1.350	0.174	3.24	72.2	1.65	-	79	-0.070	6.15	0.02
9	1.528	0.178	3.24	72.4	2.18	-	79	-0.070	5.75	0.02
10	1.701	0.173	3.24	72.4	2.2	99	79	-0.070	6.53	0.02
11	1.873	0.172	3.24	72.8	2.07	-	79	-0.069	5.61	0.03
12	2.053	0.180	3.25	73	1.64	-	80	-0.069	5.71	0.04
13	2.230	0.177	3.26	73.3	2.2	-	80	-0.070	7.44	0.02
14	2.401	0.171	3.25	73.6	2.19	-	80	-0.071	7.01	0.02
15	2.578	0.177	3.25	73.8	2.08	-	80	-0.070	5.47	0.03
16	2.752	0.174	3.25	73.9	2.19	-	80	-0.071	6.37	0.02
17	2.929	0.177	3.25	74.2	1.63	-	80	-0.071	7.27	0.02
18	3.108	0.179	3.26	74.6	1.96	-	81	-0.070	5.90	0.03
19	3.281	0.173	3.25	74.8	2.22	-	81	-0.070	6.04	0.02
20	3.457	0.176	3.26	75.1	1.81	102	81	-0.071	6.62	0.02
21	3.632	0.175	3.26	75.4	2.05	-	81	-0.072	6.00	0.02
22	3.811	0.179	3.26	75.8	2.15	-	81	-0.071	6.91	0.01
23	3.987	0.176	3.26	76.1	1.73	-	81	-0.071	5.39	0.03
24	4.163	0.176	3.27	76.3	1.68	-	81	-0.071	5.87	0.02
25	4.337	0.174	3.28	76.7	1.75	-	81	-0.069	6.84	0.02
26	4.518	0.181	3.28	76.9	2.03	-	81	-0.070	5.52	0.03
27	4.692	0.174	3.28	77.5	2.15	-	82	-0.070	5.07	0.06
28	4.869	0.177	3.27	78	1.88	-	82	-0.075	5.78	0.02
29	5.043	0.174	3.27	78.2	2.09	-	82	-0.072	7.00	0.02
30	5.224	0.181	3.27	78.5	1.72	103	82	-0.070	4.72	0.08
31	5.403	0.179	3.28	78.9	1.78	-	82	-0.070	5.46	0.02
32	5.579	0.176	3.28	79.2	1.73	-	82	-0.071	6.57	0.01

BOX B TEST DATA - ASTM E2779 / ASTM E2515

Client: Enerco
 Model: PS130W
 Run #: 1

Job #: 23-236
 Tracking #: 174
 Technician: AK
 Date: 1/9/2024

Elapsed Time (min)	Particulate Sampling Data							Flue Gas Data		
	Gas Meter (ft ³)	Sample Rate (cfm)	Orifice dH (in H ₂ O)	Meter Temp (°F)	Meter Vacuum (in Hg)	Pro. Rate (%)	Filter (°F)	Flue Draft (in H ₂ O)	CO ₂ (%)	CO (%)
33	5.752	0.173	3.28	79.5	1.73	-	82	-0.070	6.52	0.02
34	5.930	0.178	3.28	79.7	1.89	-	82	-0.071	5.90	0.03
35	6.108	0.178	3.28	80.1	1.66	-	82	-0.070	6.12	0.02
36	6.289	0.181	3.28	80.3	2.18	-	82	-0.068	5.81	0.03
37	6.467	0.178	3.29	80.7	1.89	-	82	-0.068	4.62	0.05
38	6.641	0.174	3.29	81.1	1.7	-	82	-0.069	5.03	0.04
39	6.822	0.181	3.29	81.4	1.79	-	82	-0.070	5.62	0.02
40	6.999	0.177	3.29	81.6	2.1	102	82	-0.068	6.36	0.02
41	7.179	0.180	3.28	81.7	1.65	-	82	-0.070	5.39	0.04
42	7.357	0.178	3.30	82.2	2.02	-	82	-0.070	6.44	0.02
43	7.531	0.174	3.29	82.4	2.21	-	82	-0.069	5.31	0.02
44	7.714	0.183	3.30	83	1.96	-	82	-0.070	6.96	0.01
45	7.891	0.177	3.31	83.4	1.71	-	82	-0.070	6.14	0.02
46	8.072	0.181	3.29	83.7	1.99	-	82	-0.070	5.46	0.03
47	8.246	0.174	3.29	84	2.18	-	82	-0.069	5.08	0.06
48	8.428	0.182	3.30	84.2	1.64	-	82	-0.070	6.22	0.02
49	8.606	0.178	3.31	84.5	1.96	-	82	-0.069	6.02	0.02
50	8.785	0.179	3.30	84.7	2.22	102	82	-0.068	6.16	0.02
51	8.964	0.179	3.30	84.8	2.17	-	82	-0.070	6.83	0.02
52	9.147	0.183	3.31	85	2.2	-	82	-0.070	6.92	0.02
53	9.322	0.175	3.30	85.2	1.68	-	82	-0.071	6.53	0.02
54	9.504	0.182	3.30	85.4	1.68	-	82	-0.068	5.20	0.04
55	9.681	0.177	3.30	85.7	1.74	-	82	-0.070	6.27	0.02
56	9.866	0.185	3.31	86	2.16	-	82	-0.071	7.00	0.01
57	10.045	0.179	3.31	86.3	1.75	-	82	-0.071	5.60	0.03
58	10.219	0.174	3.31	86.6	1.78	-	82	-0.071	6.91	0.01
59	10.399	0.180	3.31	86.9	1.67	-	82	-0.076	5.02	0.04
60	10.580	0.181	3.31	87.1	2.07	102	82	-0.071	4.87	0.05
61	10.761	0.181	3.32	87.6	1.66	-	82	-0.065	6.36	0.02
62	10.943	0.182	3.32	88.1	2.22	-	81	-0.061	4.98	0.03
63	11.118	0.175	3.32	88.4	1.74	-	81	-0.059	3.73	0.09
64	11.298	0.180	3.32	88.5	1.64	-	81	-0.056	4.32	0.03
65	11.482	0.184	3.33	88.5	2.17	-	81	-0.059	5.70	0.02

BOX B TEST DATA - ASTM E2779 / ASTM E2515

Client: Enerco
 Model: PS130W
 Run #: 1

Job #: 23-236
 Tracking #: 174
 Technician: AK
 Date: 1/9/2024

Elapsed Time (min)	Particulate Sampling Data							Flue Gas Data		
	Gas Meter (ft ³)	Sample Rate (cfm)	Orifice dH (in H ₂ O)	Meter Temp (°F)	Meter Vacuum (in Hg)	Pro. Rate (%)	Filter (°F)	Flue Draft (in H ₂ O)	CO ₂ (%)	CO (%)
66	11.663	0.181	3.33	88.7	2.2	-	80	-0.057	5.49	0.02
67	11.845	0.182	3.32	89	2.17	-	80	-0.057	4.02	0.05
68	12.021	0.176	3.33	89.2	1.9	-	80	-0.054	5.40	0.02
69	12.200	0.179	3.33	89.3	2.16	-	80	-0.052	5.00	0.06
70	12.383	0.183	3.32	89.4	2.05	101	80	-0.053	4.21	0.06
71	12.562	0.179	3.32	89.6	2.06	-	79	-0.053	4.83	0.03
72	12.744	0.182	3.33	89.8	1.71	-	79	-0.052	5.49	0.02
73	12.927	0.183	3.33	89.8	2.04	-	79	-0.051	5.56	0.01
74	13.106	0.179	3.32	89.9	1.95	-	79	-0.052	3.99	0.10
75	13.283	0.177	3.33	90	1.77	-	79	-0.051	4.73	0.04
76	13.465	0.182	3.33	90.1	2.2	-	79	-0.049	4.67	0.02
77	13.649	0.184	3.33	90.2	1.7	-	79	-0.050	3.80	0.06
78	13.828	0.179	3.34	90.3	2.21	-	79	-0.051	4.40	0.03
79	14.012	0.184	3.34	90.3	1.92	-	79	-0.051	5.25	0.01
80	14.187	0.175	3.33	90.5	2.14	101	79	-0.050	4.27	0.04
81	14.372	0.185	3.34	90.8	2.21	-	79	-0.049	4.52	0.03
82	14.551	0.179	3.33	90.9	2.14	-	79	-0.048	4.53	0.04
83	14.736	0.185	3.34	91	1.91	-	79	-0.048	5.06	0.02
84	14.914	0.178	3.33	91	1.64	-	79	-0.051	4.24	0.05
85	15.098	0.184	3.34	91.2	1.86	-	78	-0.051	4.63	0.04
86	15.275	0.177	3.34	91.3	1.86	-	78	-0.050	5.02	0.02
87	15.458	0.183	3.34	91.5	1.71	-	78	-0.050	4.86	0.03
88	15.639	0.181	3.34	91.6	2.16	-	78	-0.052	5.99	0.01
89	15.823	0.184	3.34	91.7	2.23	-	78	-0.050	5.09	0.03
90	16.005	0.182	3.33	91.8	2.22	102	79	-0.055	3.44	0.20
91	16.183	0.178	3.34	91.9	1.71	-	79	-0.051	4.60	0.04
92	16.364	0.181	3.34	91.9	2.2	-	78	-0.052	4.92	0.02
93	16.544	0.180	3.35	92.1	1.95	-	79	-0.051	4.80	0.04
94	16.730	0.186	3.34	92.2	2.21	-	78	-0.051	4.03	0.04
95	16.913	0.183	3.35	92.3	1.86	-	78	-0.050	3.89	0.05
96	17.091	0.178	3.35	92.3	2.22	-	78	-0.051	4.76	0.02
97	17.272	0.181	3.34	92.4	1.84	-	78	-0.050	4.89	0.01
98	17.456	0.184	3.35	92.4	1.9	-	78	-0.052	4.86	0.03

BOX B TEST DATA - ASTM E2779 / ASTM E2515

Client: Enerco
 Model: PS130W
 Run #: 1

Job #: 23-236
 Tracking #: 174
 Technician: AK
 Date: 1/9/2024

Elapsed Time (min)	Particulate Sampling Data							Flue Gas Data		
	Gas Meter (ft ³)	Sample Rate (cfm)	Orifice dH (in H ₂ O)	Meter Temp (°F)	Meter Vacuum (in Hg)	Pro. Rate (%)	Filter (°F)	Flue Draft (in H ₂ O)	CO ₂ (%)	CO (%)
99	17.637	0.181	3.34	92.6	1.75	-	78	-0.048	5.91	0.01
100	17.817	0.180	3.34	92.7	2.21	101	78	-0.049	5.18	0.02
101	18.003	0.186	3.34	92.8	1.65	-	78	-0.052	5.14	0.02
102	18.182	0.179	3.35	92.8	1.64	-	78	-0.049	4.32	0.05
103	18.366	0.184	3.35	93	2.07	-	78	-0.051	4.88	0.05
104	18.544	0.178	3.35	93.2	2.21	-	78	-0.051	4.67	0.03
105	18.728	0.184	3.34	93.2	2.08	-	78	-0.050	5.65	0.01
106	18.909	0.181	3.34	93.2	1.87	-	78	-0.052	4.41	0.09
107	19.092	0.183	3.35	93.2	2.21	-	78	-0.048	4.34	0.07
108	19.276	0.184	3.34	93.4	2.09	-	78	-0.053	6.17	0.01
109	19.458	0.182	3.34	93.4	1.99	-	78	-0.051	5.42	0.02
110	19.636	0.178	3.35	93.4	1.89	100	78	-0.050	4.94	0.02
111	19.820	0.184	3.34	93.6	2.06	-	78	-0.054	5.14	0.02
112	20.001	0.181	3.35	93.6	2.08	-	78	-0.050	4.71	0.03
113	20.186	0.185	3.35	93.6	2.07	-	78	-0.050	4.37	0.03
114	20.365	0.179	3.34	93.8	1.97	-	78	-0.051	4.54	0.03
115	20.547	0.182	3.35	93.8	1.81	-	78	-0.050	5.48	0.02
116	20.731	0.184	3.35	93.9	1.76	-	78	-0.050	6.18	0.02
117	20.909	0.178	3.34	94.1	1.64	-	78	-0.053	4.95	0.02
118	21.097	0.188	3.35	94	1.71	-	78	-0.051	4.31	0.06
119	21.276	0.179	3.35	94.1	1.86	-	78	-0.051	4.84	0.02
120	21.462	0.186	3.35	94.2	1.95	101	78	-0.066	5.57	0.02
121	21.641	0.179	3.35	94.2	1.77	-	78	-0.052	2.85	0.12
122	21.824	0.183	3.35	94.3	2.04	-	78	-0.054	5.59	0.02
123	22.003	0.179	3.35	94.3	1.95	-	78	-0.053	4.66	0.06
124	22.190	0.187	3.35	94.4	2.03	-	78	-0.052	6.42	0.01
125	22.369	0.179	3.35	94.4	2.16	-	78	-0.049	4.92	0.02
126	22.553	0.184	3.35	94.6	2.13	-	78	-0.053	4.92	0.02
127	22.737	0.184	3.35	94.6	2.01	-	78	-0.052	4.30	0.04
128	22.915	0.178	3.35	94.5	2.19	-	78	-0.052	4.87	0.03
129	23.100	0.185	3.34	94.9	1.97	-	78	-0.050	5.51	0.02
130	23.280	0.180	3.36	94.9	1.95	101	78	-0.050	5.13	0.02
131	23.463	0.183	3.34	94.7	1.72	-	78	-0.052	3.91	0.06

BOX B TEST DATA - ASTM E2779 / ASTM E2515

Client: Enerco
 Model: PS130W
 Run #: 1

Job #: 23-236
 Tracking #: 174
 Technician: AK
 Date: 1/9/2024

Elapsed Time (min)	Particulate Sampling Data							Flue Gas Data		
	Gas Meter (ft ³)	Sample Rate (cfm)	Orifice dH (in H ₂ O)	Meter Temp (°F)	Meter Vacuum (in Hg)	Pro. Rate (%)	Filter (°F)	Flue Draft (in H ₂ O)	CO ₂ (%)	CO (%)
132	23.647	0.184	3.35	94.7	2.23	-	78	-0.053	4.43	0.06
133	23.832	0.185	3.35	94.8	2.17	-	78	-0.052	4.56	0.04
134	24.009	0.177	3.35	94.8	2.03	-	78	-0.052	5.44	0.02
135	24.192	0.183	3.35	95.1	1.75	-	78	-0.051	4.09	0.05
136	24.377	0.185	3.35	95.1	2.1	-	78	-0.052	4.13	0.05
137	24.558	0.181	3.36	95	2.02	-	78	-0.049	5.03	0.03
138	24.742	0.184	3.36	95	1.81	-	78	-0.053	4.60	0.04
139	24.926	0.184	3.35	95.1	2.2	-	78	-0.051	4.34	0.04
140	25.105	0.179	3.35	95.1	1.82	100	78	-0.051	4.84	0.02
141	25.287	0.182	3.35	95.2	2.01	-	78	-0.050	4.35	0.04
142	25.469	0.182	3.35	95.3	2.19	-	78	-0.052	5.27	0.02
143	25.656	0.187	3.35	95.3	2.21	-	78	-0.052	4.57	0.03
144	25.836	0.180	3.35	95.3	1.98	-	78	-0.050	4.59	0.03
145	26.019	0.183	3.35	95.2	1.83	-	78	-0.051	4.80	0.04
146	26.201	0.182	3.35	95.2	1.9	-	77	-0.051	4.76	0.03
147	26.385	0.184	3.36	95.3	2.21	-	77	-0.051	5.14	0.02
148	26.568	0.183	3.35	95.3	1.73	-	77	-0.052	4.34	0.04
149	26.751	0.183	3.35	95.3	2.19	-	77	-0.053	6.00	0.02
150	26.931	0.180	3.35	95.4	1.78	100	77	-0.049	5.79	0.02
151	27.115	0.184	3.36	95.4	2.18	-	78	-0.054	3.58	0.23
152	27.297	0.182	3.36	95.3	2.18	-	78	-0.052	3.34	0.11
153	27.477	0.180	3.35	95.5	1.65	-	78	-0.052	5.25	0.02
154	27.664	0.187	3.36	95.6	2.15	-	78	-0.051	4.63	0.02
155	27.846	0.182	3.36	95.6	2.16	-	78	-0.051	4.93	0.02
156	28.026	0.180	3.36	95.6	2.2	-	77	-0.050	5.11	0.02
157	28.211	0.185	3.36	95.7	1.84	-	78	-0.052	5.16	0.02
158	28.395	0.184	3.35	95.6	1.65	-	78	-0.052	4.79	0.04
159	28.578	0.183	3.35	95.6	2.02	-	78	-0.052	5.86	0.01
160	28.759	0.181	3.35	95.6	1.77	100	78	-0.052	4.22	0.07
161	28.941	0.182	3.35	95.5	1.75	-	78	-0.054	5.30	0.02
162	29.125	0.184	3.35	95.5	2.01	-	78	-0.052	4.69	0.03
163	29.308	0.183	3.35	95.4	1.67	-	77	-0.050	4.62	0.03
164	29.488	0.180	3.35	95.6	2.03	-	77	-0.051	4.38	0.04

BOX B TEST DATA - ASTM E2779 / ASTM E2515

Client: Enerco
 Model: PS130W
 Run #: 1

Job #: 23-236
 Tracking #: 174
 Technician: AK
 Date: 1/9/2024

Elapsed Time (min)	Particulate Sampling Data							Flue Gas Data		
	Gas Meter (ft ³)	Sample Rate (cfm)	Orifice dH (in H ₂ O)	Meter Temp (°F)	Meter Vacuum (in Hg)	Pro. Rate (%)	Filter (°F)	Flue Draft (in H ₂ O)	CO ₂ (%)	CO (%)
165	29.671	0.183	3.34	95.6	1.69	-	77	-0.051	4.55	0.03
166	29.851	0.180	3.35	95.7	1.65	-	77	-0.051	4.53	0.03
167	30.034	0.183	3.34	95.8	2.08	-	77	-0.053	5.43	0.01
168	30.220	0.186	3.35	95.8	1.89	-	77	-0.050	4.52	0.03
169	30.403	0.183	3.34	95.7	1.84	-	77	-0.048	4.36	0.04
170	30.587	0.184	3.34	95.7	1.96	101	77	-0.052	4.49	0.03
171	30.769	0.182	3.35	95.8	2.12	-	78	-0.051	5.41	0.02
172	30.950	0.181	3.35	95.8	2.04	-	78	-0.050	4.94	0.03
173	31.133	0.183	3.34	95.7	1.7	-	77	-0.052	4.77	0.02
174	31.316	0.183	3.35	95.8	1.64	-	77	-0.051	4.29	0.05
175	31.499	0.183	3.34	95.8	1.84	-	77	-0.050	4.32	0.03
176	31.683	0.184	3.35	95.8	2.22	-	77	-0.052	5.12	0.01
177	31.862	0.179	3.35	95.8	1.66	-	77	-0.052	4.78	0.01
178	32.043	0.181	3.34	95.9	1.64	-	77	-0.050	5.02	0.02
179	32.226	0.183	3.35	95.9	1.71	-	77	-0.050	4.44	0.08
180	32.410	0.184	3.34	96	1.67	100	77	-0.051	4.74	0.02
181	32.595	0.185	3.34	96	1.7	-	77	-0.065	4.99	0.02
182	32.775	0.180	3.34	96	2.24	-	78	-0.050	2.22	0.23
183	32.957	0.182	3.34	96.1	1.81	-	77	-0.048	2.82	0.10
184	33.140	0.183	3.33	96	1.84	-	77	-0.049	3.88	0.04
185	33.320	0.180	3.34	96	2.14	-	77	-0.046	3.93	0.04
186	33.503	0.183	3.34	96.1	2.16	-	77	-0.046	4.21	0.04
187	33.690	0.187	3.35	96.1	2.03	-	77	-0.047	4.92	0.01
188	33.872	0.182	3.34	96	1.89	-	77	-0.045	3.40	0.08
189	34.057	0.185	3.34	96.2	1.67	-	77	-0.047	4.31	0.03
190	34.239	0.182	3.35	96.4	2.14	100	77	-0.046	4.04	0.06
191	34.416	0.177	3.34	96.3	2.22	-	77	-0.044	4.16	0.03
192	34.599	0.183	3.35	96.2	1.92	-	77	-0.045	3.32	0.06
193	34.782	0.183	3.35	96.3	1.66	-	77	-0.044	3.04	0.10
194	34.965	0.183	3.34	96.5	1.65	-	77	-0.044	3.36	0.06
195	35.153	0.188	3.35	96.6	1.66	-	77	-0.043	2.88	0.09
196	35.332	0.179	3.35	96.5	1.79	-	77	-0.043	4.48	0.02
197	35.514	0.182	3.34	96.6	1.87	-	77	-0.045	4.18	0.04

BOX B TEST DATA - ASTM E2779 / ASTM E2515

Client: Enerco
 Model: PS130W
 Run #: 1

Job #: 23-236
 Tracking #: 174
 Technician: AK
 Date: 1/9/2024

Elapsed Time (min)	Particulate Sampling Data							Flue Gas Data		
	Gas Meter (ft ³)	Sample Rate (cfm)	Orifice dH (in H ₂ O)	Meter Temp (°F)	Meter Vacuum (in Hg)	Pro. Rate (%)	Filter (°F)	Flue Draft (in H ₂ O)	CO ₂ (%)	CO (%)
198	35.698	0.184	3.35	96.5	1.92	-	77	-0.046	4.41	0.03
199	35.878	0.180	3.34	96.4	1.66	-	77	-0.045	3.44	0.10
200	36.062	0.184	3.35	96.4	1.98	99	77	-0.041	4.38	0.04
201	36.248	0.186	3.35	96.4	1.74	-	77	-0.041	4.30	0.04
202	36.428	0.180	3.35	96.4	1.86	-	77	-0.045	3.74	0.07
203	36.611	0.183	3.34	96.5	2.01	-	77	-0.043	4.25	0.05
204	36.794	0.183	3.35	96.4	2.05	-	77	-0.043	3.86	0.04
205	36.977	0.183	3.34	96.5	1.66	-	76	-0.045	4.61	0.01
206	37.158	0.181	3.35	96.5	1.81	-	76	-0.045	3.19	0.08
207	37.343	0.185	3.34	96.5	2	-	76	-0.044	2.67	0.11
208	37.528	0.185	3.34	96.3	2.09	-	76	-0.044	4.02	0.03
209	37.707	0.179	3.34	96.4	1.69	-	76	-0.043	3.60	0.06
210	37.891	0.184	3.34	96.3	2.23	99	76	-0.042	3.66	0.08
211	38.070	0.179	3.34	96.4	1.8	-	76	-0.042	4.03	0.03
212	38.256	0.186	3.34	96.3	1.99	-	77	-0.044	1.95	0.35
213	38.440	0.184	3.34	96.2	2.23	-	77	-0.043	2.31	0.13
214	38.621	0.181	3.33	96.4	2.05	-	77	-0.041	2.84	0.10
215	38.805	0.184	3.34	96.2	2.08	-	76	-0.042	3.70	0.05
216	38.984	0.179	3.34	96.3	1.72	-	76	-0.043	4.06	0.03
217	39.168	0.184	3.33	96.3	2.23	-	76	-0.043	3.81	0.07
218	39.350	0.182	3.33	96.4	1.85	-	76	-0.041	3.29	0.08
219	39.535	0.185	3.34	96.3	2.21	-	76	-0.043	3.63	0.08
220	39.715	0.180	3.34	96.3	2.17	99	76	-0.045	3.78	0.06
221	39.897	0.182	3.33	96.3	1.86	-	76	-0.045	3.21	0.07
222	40.083	0.186	3.34	96.4	1.83	-	76	-0.045	4.91	0.02
223	40.260	0.177	3.33	96.4	2.21	-	76	-0.046	4.16	0.05
224	40.442	0.182	3.34	96.5	1.72	-	76	-0.042	3.94	0.06
225	40.629	0.187	3.34	96.4	1.67	-	76	-0.042	3.80	0.04
226	40.809	0.180	3.33	96.4	1.76	-	76	-0.043	3.51	0.06
227	40.996	0.187	3.34	96.3	1.91	-	76	-0.045	4.40	0.02
228	41.177	0.181	3.34	96.2	1.66	-	76	-0.043	3.19	0.10
229	41.358	0.181	3.33	96.4	1.68	-	76	-0.044	2.79	0.11
230	41.541	0.183	3.33	96.4	2.19	100	76	-0.043	3.79	0.04

BOX B TEST DATA - ASTM E2779 / ASTM E2515

Client: Enerco
 Model: PS130W
 Run #: 1

Job #: 23-236
 Tracking #: 174
 Technician: AK
 Date: 1/9/2024

Elapsed Time (min)	Particulate Sampling Data							Flue Gas Data		
	Gas Meter (ft ³)	Sample Rate (cfm)	Orifice dH (in H ₂ O)	Meter Temp (°F)	Meter Vacuum (in Hg)	Pro. Rate (%)	Filter (°F)	Flue Draft (in H ₂ O)	CO ₂ (%)	CO (%)
231	41.723	0.182	3.34	96.5	2.12	-	76	-0.043	4.35	0.03
232	41.907	0.184	3.34	96.6	1.96	-	76	-0.042	3.11	0.11
233	42.088	0.181	3.33	96.7	1.79	-	76	-0.044	4.06	0.04
234	42.273	0.185	3.34	96.6	1.83	-	76	-0.042	4.42	0.03
235	42.454	0.181	3.34	96.7	1.78	-	76	-0.043	3.14	0.11
236	42.633	0.179	3.33	96.7	1.87	-	76	-0.044	2.58	0.10
237	42.815	0.182	3.34	96.6	1.68	-	76	-0.044	3.81	0.02
238	42.999	0.184	3.34	96.6	2.19	-	76	-0.041	4.35	0.02
239	43.185	0.186	3.34	96.5	2.16	-	76	-0.040	3.95	0.06
240	43.366	0.181	3.32	96.5	1.91	100	76	-0.043	3.24	0.08
241	43.549	0.183	3.32	96.4	1.68	-	76	-0.043	3.62	0.06
242	43.729	0.180	3.33	96.5	2.24	-	76	-0.058	3.10	0.08
243	43.911	0.182	3.33	96.5	1.67	-	76	-0.044	2.96	0.10
244	44.095	0.184	3.32	96.5	1.67	-	76	-0.043	4.12	0.04
245	44.278	0.183	3.33	96.5	1.72	-	76	-0.043	3.10	0.07
246	44.457	0.179	3.33	96.5	1.72	-	76	-0.043	2.79	0.09
247	44.643	0.186	3.33	96.5	1.68	-	76	-0.044	4.43	0.04
248	44.823	0.180	3.33	96.4	1.84	-	75	-0.042	2.98	0.11
249	45.005	0.182	3.33	96.4	1.68	-	76	-0.043	3.24	0.07
250	45.186	0.181	3.32	96.3	1.87	99	75	-0.041	3.40	0.04
251	45.371	0.185	3.33	96.4	1.67	-	76	-0.043	3.01	0.09
252	45.555	0.184	3.33	96.4	2.18	-	76	-0.044	3.36	0.05
253	45.737	0.182	3.33	96.5	1.83	-	76	-0.041	4.27	0.04
254	45.914	0.177	3.33	96.6	1.88	-	76	-0.043	2.85	0.10
255	46.099	0.185	3.32	96.6	1.66	-	76	-0.041	3.04	0.08
256	46.281	0.182	3.33	96.6	1.87	-	75	-0.043	2.73	0.09
257	46.464	0.183	3.32	96.5	1.72	-	76	-0.040	2.96	0.10
258	46.648	0.184	3.32	96.4	2.25	-	76	-0.042	3.23	0.08
259	46.835	0.187	3.32	96.4	2.16	-	76	-0.041	5.05	0.02
260	47.010	0.175	3.32	96.4	1.77	100	75	-0.044	4.39	0.02
261	47.189	0.179	3.32	96.5	2.18	-	75	-0.042	3.43	0.08
262	47.372	0.183	3.33	96.5	2.02	-	75	-0.041	3.08	0.08
263	47.554	0.182	3.31	96.5	1.69	-	76	-0.043	3.29	0.06

BOX B TEST DATA - ASTM E2779 / ASTM E2515

Client: Enerco
 Model: PS130W
 Run #: 1

Job #: 23-236
 Tracking #: 174
 Technician: AK
 Date: 1/9/2024

Elapsed Time (min)	Particulate Sampling Data							Flue Gas Data		
	Gas Meter (ft ³)	Sample Rate (cfm)	Orifice dH (in H ₂ O)	Meter Temp (°F)	Meter Vacuum (in Hg)	Pro. Rate (%)	Filter (°F)	Flue Draft (in H ₂ O)	CO ₂ (%)	CO (%)
264	47.741	0.187	3.32	96.4	2	-	76	-0.043	4.19	0.02
265	47.922	0.181	3.32	96.3	1.82	-	75	-0.043	3.32	0.09
266	48.099	0.177	3.32	96.3	1.83	-	76	-0.042	2.84	0.11
267	48.285	0.186	3.32	96.2	2.02	-	75	-0.041	2.65	0.11
268	48.463	0.178	3.32	96.3	1.99	-	75	-0.044	3.40	0.05
269	48.649	0.186	3.31	96.4	1.84	-	75	-0.044	2.50	0.09
270	48.830	0.181	3.31	96.5	1.72	99	75	-0.044	3.82	0.03
271	49.011	0.181	3.32	96.4	2.2	-	75	-0.044	4.86	0.01
272	49.191	0.180	3.32	96.4	2.25	-	75	-0.042	3.24	0.10
273	49.377	0.186	3.32	96.4	2.14	-	76	-0.045	2.57	0.22
274	49.558	0.181	3.32	96.2	2.11	-	76	-0.044	2.54	0.09
275	49.738	0.180	3.32	96.2	1.72	-	76	-0.044	3.71	0.07
276	49.921	0.183	3.31	96.4	2.06	-	76	-0.042	3.52	0.08
277	50.106	0.185	3.32	96.3	1.67	-	76	-0.042	2.59	0.12
278	50.283	0.177	3.32	96.2	2.03	-	76	-0.043	5.04	0.02
279	50.465	0.182	3.31	96.2	1.9	-	76	-0.042	2.74	0.13
280	50.649	0.184	3.31	96.3	2.22	99	76	-0.040	3.80	0.04
281	50.833	0.184	3.31	96.3	1.7	-	76	-0.043	3.66	0.05
282	51.013	0.180	3.31	96.3	2.2	-	76	-0.042	3.26	0.09
283	51.194	0.181	3.32	96.4	1.87	-	76	-0.043	3.83	0.05
284	51.378	0.184	3.31	96.4	1.71	-	75	-0.041	2.54	0.15
285	51.559	0.181	3.32	96.3	2.25	-	75	-0.043	3.85	0.04
286	51.738	0.179	3.32	96.4	2.08	-	75	-0.042	3.26	0.08
287	51.921	0.183	3.31	96.3	1.87	-	75	-0.040	4.37	0.03
288	52.106	0.185	3.32	96.3	1.99	-	75	-0.043	3.83	0.04
289	52.287	0.181	3.32	96.3	1.98	-	75	-0.041	2.36	0.16
290	52.469	0.182	3.31	96.4	1.77	98	75	-0.041	3.69	0.06
291	52.647	0.178	3.32	96.3	2.23	-	75	-0.043	3.54	0.07
292	52.828	0.181	3.31	96.3	2.02	-	75	-0.041	4.05	0.04
293	53.011	0.183	3.31	96.1	2.24	-	75	-0.042	3.46	0.07
294	53.194	0.183	3.31	96.1	1.85	-	75	-0.042	3.52	0.06
295	53.378	0.184	3.31	96.1	1.82	-	75	-0.044	3.48	0.08
296	53.560	0.182	3.31	96.2	1.99	-	75	-0.042	2.76	0.09

BOX B TEST DATA - ASTM E2779 / ASTM E2515

Client: Enerco
 Model: PS130W
 Run #: 1

Job #: 23-236
 Tracking #: 174
 Technician: AK
 Date: 1/9/2024

Elapsed Time (min)	Particulate Sampling Data							Flue Gas Data		
	Gas Meter (ft ³)	Sample Rate (cfm)	Orifice dH (in H ₂ O)	Meter Temp (°F)	Meter Vacuum (in Hg)	Pro. Rate (%)	Filter (°F)	Flue Draft (in H ₂ O)	CO ₂ (%)	CO (%)
297	53.740	0.180	3.32	96.2	2.09	-	75	-0.042	3.61	0.04
298	53.921	0.181	3.30	96.2	2.26	-	75	-0.041	3.32	0.07
299	54.105	0.184	3.31	96.2	1.99	-	75	-0.042	3.95	0.05
300	54.284	0.179	3.30	96.1	2.23	98	75	-0.040	4.05	0.04
301	54.468	0.184	3.31	96.3	2.25	-	75	-0.042	3.55	0.05
302	54.649	0.181	3.31	96.3	1.72	-	75	-0.041	3.51	0.06
303	54.830	0.181	3.31	96.3	1.72	-	75	-0.057	3.06	0.09
304	55.011	0.181	3.30	96.2	1.75	-	75	-0.045	2.41	0.15
305	55.194	0.183	3.30	96.1	1.7	-	75	-0.042	3.09	0.06
306	55.377	0.183	3.31	96.3	2.16	-	75	-0.043	4.23	0.03
307	55.558	0.181	3.30	96.3	2.05	-	75	-0.043	2.87	0.10
308	55.734	0.176	3.30	96.2	1.68	-	75	-0.043	3.90	0.05
309	55.916	0.182	3.30	96.1	1.91	-	75	-0.043	4.25	0.04
310	56.097	0.181	3.30	96.1	1.71	99	75	-0.042	3.32	0.08
311	56.280	0.183	3.30	96.1	2.03	-	75	-0.041	3.52	0.07
312	56.463	0.183	3.30	96.1	2.23	-	75	-0.040	3.59	0.06
313	56.643	0.180	3.31	96	1.79	-	75	-0.042	4.75	0.02
314	56.823	0.180	3.30	96.1	1.7	-	75	-0.043	4.54	0.03
315	57.005	0.182	3.30	96.1	1.7	-	75	-0.042	4.33	0.03
316	57.187	0.182	3.30	96.1	2.26	-	75	-0.045	4.31	0.03
317	57.368	0.181	3.29	96.1	1.7	-	75	-0.043	3.16	0.11
318	57.555	0.187	3.30	96.1	1.91	-	75	-0.045	2.87	0.08
319	57.735	0.180	3.31	96.1	2.26	-	75	-0.039	1.73	0.21
320	57.915	0.180	3.30	96	2.06	99	75	-0.042	3.16	0.06
321	58.097	0.182	3.30	96.1	2.15	-	75	-0.042	3.26	0.06
322	58.278	0.181	3.30	96.2	1.95	-	75	-0.043	4.15	0.04
323	58.461	0.183	3.30	96.2	2.03	-	75	-0.041	3.26	0.08
324	58.644	0.183	3.29	96.2	2.26	-	75	-0.042	3.94	0.06
325	58.822	0.178	3.30	96	2.13	-	75	-0.044	3.91	0.04
326	59.001	0.179	3.30	96.1	2.24	-	75	-0.045	3.43	0.10
327	59.183	0.182	3.30	96.2	1.7	-	75	-0.042	4.19	0.03
328	59.366	0.183	3.30	96.1	1.78	-	75	-0.044	4.03	0.03
329	59.549	0.183	3.29	96.1	1.94	-	75	-0.042	3.56	0.05

BOX B TEST DATA - ASTM E2779 / ASTM E2515

Client: Enerco
 Model: PS130W
 Run #: 1

Job #: 23-236
 Tracking #: 174
 Technician: AK
 Date: 1/9/2024

Elapsed Time (min)	Particulate Sampling Data							Flue Gas Data		
	Gas Meter (ft ³)	Sample Rate (cfm)	Orifice dH (in H ₂ O)	Meter Temp (°F)	Meter Vacuum (in Hg)	Pro. Rate (%)	Filter (°F)	Flue Draft (in H ₂ O)	CO ₂ (%)	CO (%)
330	59.733	0.184	3.30	96.1	1.96	99	75	-0.043	3.45	0.11
331	59.914	0.181	3.31	96.2	1.86	-	75	-0.043	4.03	0.05
332	60.093	0.179	3.30	96.2	1.74	-	75	-0.042	4.64	0.02
333	60.275	0.182	3.30	96	2.12	-	75	-0.042	2.51	0.16
334	60.454	0.179	3.30	96.1	2.27	-	75	-0.047	2.93	0.22
335	60.635	0.181	3.29	96.1	1.9	-	75	-0.045	3.87	0.04
336	60.821	0.186	3.30	96.2	1.84	-	75	-0.043	3.71	0.05
337	61.002	0.181	3.30	96	1.96	-	75	-0.042	4.72	0.02
338	61.178	0.176	3.30	96	2.09	-	75	-0.043	3.50	0.06
339	61.359	0.181	3.29	96.2	1.84	-	75	-0.042	4.43	0.03
340	61.542	0.183	3.29	96.2	1.7	99	75	-0.043	3.44	0.08
341	61.726	0.184	3.30	96.2	2.1	-	75	-0.044	3.92	0.04
342	61.908	0.182	3.30	96.2	1.76	-	75	-0.044	3.46	0.10
343	62.086	0.178	3.30	96.2	2.22	-	75	-0.044	4.22	0.03
344	62.268	0.182	3.30	96.3	2.09	-	75	-0.043	4.33	0.04
345	62.450	0.182	3.29	96.3	1.86	-	75	-0.045	3.34	0.07
346	62.633	0.183	3.29	96.3	2.01	-	75	-0.046	3.47	0.09
347	62.813	0.180	3.29	96.2	2.25	-	75	-0.042	4.43	0.02
348	62.993	0.180	3.30	96.2	1.84	-	75	-0.039	4.33	0.02
349	63.177	0.184	3.29	96.1	1.71	-	75	-0.043	2.83	0.10
350	63.357	0.180	3.30	96.1	2.27	99	75	-0.043	2.45	0.11
351	63.537	0.180	3.29	96.2	2.28	-	75	-0.042	3.31	0.05
352	63.720	0.183	3.29	96.1	1.96	-	75	-0.043	2.63	0.09
353	63.900	0.180	3.29	96.2	2.2	-	75	-0.042	4.07	0.04
354	64.083	0.183	3.29	96.2	1.72	-	75	-0.042	3.92	0.06
355	64.259	0.176	3.28	96.2	2.04	-	75	-0.044	4.44	0.04
356	64.440	0.181	3.28	96.1	1.88	-	75	-0.043	4.09	0.03
357	64.624	0.184	3.29	96.2	1.86	-	75	-0.044	3.40	0.06
358	64.803	0.179	3.28	96.3	1.72	-	75	-0.043	4.82	0.02
359	64.989	0.186	3.28	96.2	1.87	-	75	-0.042	4.37	0.03
360	65.167	0.178	3.29	96.2	2.06	98	75	-0.044	3.90	0.05
Avg/Tot	65.167	0.181	3.32	92	1.94	100			4.41	0.05

LAB SAMPLE DATA - ASTM E2515

Client: Enerco
 Model: PS130W
 Run #: 1

Job #: 23-236
 Tracking #: 174
 Technician: AK
 Date: 1/9/2024

		Sample ID	Tare, mg	Final, mg	Catch, mg
Filters	A	G00819	231.2	237.8	6.6
	B	G00820	230.5	236.7	6.2
	C - 1st Hour	G00821	231.3	232.3	1.0
	Amb	G00822	231.6	231.6	0.0
Probes	A	19A	117025.9	117026.3	0.4
	B	19B	117012.9	117013.7	0.8
	C - 1st Hour	19C	114230.9	114231.4	0.5
O-rings	A	19A	3585.7	3586.3	0.6
	B	19B	3633.0	3634.0	1.0
	C - 1st Hour	19C	3615.2	3615.9	0.7

Placed in Dessicator on: 1/9/2024

Balance Audit (mg): 200.0 200.0 200.0

		Weight (mg)	Date/Time	Weight (mg)	Date/Time	Weight (mg)	Date/Time	Weight (mg)	Date/Time
Filters	A	237.6	1/15 11:30	237.8	1/17 14:00				
	B	236.4	1/15 11:30	236.9	1/17 14:00	236.7	1/18 16:30		
	C - 1st Hour	232.1	1/15 11:30	232.3	1/17 14:00				
	Amb	231.6	1/15 11:30	231.6	1/17 14:00				
Probes	A	117025.9	1/15 11:30	117026.5	1/17 14:00	117026.3	1/18 16:30		
	B	117012.9	1/15 11:30	117013.9	1/17 14:00	117013.7	1/18 16:30		
	C - 1st Hour	114230.9	1/15 11:30	114231.6	1/17 14:00	114231.4	1/18 16:30		
O-Rings	A	3586.1	1/15 11:30	3586.3	1/17 14:00				
	B	3633.9	1/15 11:30	3634.0	1/17 14:00				
	C - 1st Hour	3615.8	1/15 11:30	3615.9	1/17 14:00				

Train A Aggregate, mg:	7.6
Train B Aggregate, mg:	8.0
Train C Aggregate, mg:	2.2
Ambient Aggregate, mg:	0.0

ASTM E2779 Wood Heater Run Sheets

Client: Enerco Job Number: 23-236 Tracking #: 174
 Model: PS130W Run Number: 1 Test Date: 1/9/24

Pellet Heater Control Settings

High Burn Rate Settings: Heat Setting #1

Medium Burn Rate Settings: Heat Setting #2

Low Burn Rate Settings: Heat Setting #4

Preburn Notes

Preburn Start Time: 8:42

Time	Notes
	-None-

Test Notes

Test Burn Start Time: 9:42

Time	Notes
60:00 180:00	Changed Settings to Med Changed Settings to Low

Test Burn End Time: 15:42


Flue Gas Concentration Measurement

Calibration Gas Values: Span Gas CO₂ (%): 16.98 CO (%): 4.300
 Mid Gas CO₂ (%): 10.09 CO (%): 2.530

Calibration Results:

	Pre Test			Post Test		
	Zero	Span	Mid	Zero	Span	Mid
Time	8:59	9:00	9:01	15:45	15:46	15:47
CO ₂	0.00	16.98	10.11	0.06	17.01	10.15
CO	0.000	4.299	2.539	0.009	4.311	2.560

Flue Gas Probe Leak Check: Initial: No leakage Final: No leakage

Technician Signature: 

Date: 1/9/2024

Pre-Conditioning Data

Client: Enerco	Job #: 23-236
Model: PS130W	Tracking #: 174
Date(s): 12/17/23 - 12/19/23	Technician: SB

Elapsed Time (hrs)	Flue (°F)	Catalyst Exit (°F)	Notes: Indicate initial air setting and any changes in in setting during conditioning, as well as weight and average moisture content of all fuel additions. P3 = Medium BR
0	359	N/A	+39.73lb, AWF Pellets, Setting P3 -Medium BR
1	281	N/A	
2	282	N/A	
3	286	N/A	
4	280	N/A	
5	287	N/A	
6	285	N/A	
7	281	N/A	
8	283	N/A	
9	285	N/A	+23.13lb, AWF Pellets, Setting P3
10	281	N/A	
11	295	N/A	
12	287	N/A	
13	285	N/A	
14	281	N/A	
15	282	N/A	
16	283	N/A	
17	286	N/A	
18	278	N/A	
19	287	N/A	
20	281	N/A	
21	283	N/A	
22	288	N/A	
23	285	N/A	+39.00lb, AWF Pellets, Setting P3
24	278	N/A	
25	295	N/A	
26	291	N/A	
27	291	N/A	
28	298	N/A	
29	309	N/A	
30	292	N/A	
31	280	N/A	
32	289	N/A	
33	280	N/A	
34	287	N/A	
35	282	N/A	
36	287	N/A	
37	282	N/A	
38	291	N/A	+11.71lb, AWF Pellets, Setting P3
39	285	N/A	
40	285	N/A	
41	287	N/A	
42	285	N/A	
43	289	N/A	
44	281	N/A	
45	284	N/A	
46	290	N/A	
47	287	N/A	
48	287	N/A	
49	284	N/A	
50	254	N/A	



Twin Ports Testing, Inc.
 1301 North 3rd Street
 Superior, WI 54880
 p: 715-392-7114
 p: 800-373-2562
 f: 715-392-7163
 www.twinportstesting.com

Report No: USR:W223-0607-01
Issue No: 1

Analytical Test Report

Client: PFS-TECO
 11785 SE Hwy 212 Ste 305
 Clackamas, OR 97015
Attention: Sebastian Button
PO No:

Signed: *Katy Jahr*
 Katy Jahr
 Chemistry Lab Supervisor
 Date of Issue: 11/27/2023
THIS DOCUMENT SHALL NOT BE REPRODUCED EXCEPT IN FULL

Sample Details			
Sample Log No:	W223-0607-01	Sample Date:	10/30/2023
Sample Designation:	wood pellets	Sample Time:	
Sample Recognized As:	Wood Pellets	Arrival Date:	11/6/2023

Test Results				
	METHOD	UNITS	MOISTURE FREE	AS RECEIVED
Moisture Total	ASTM E871	wt. %		4.83
Ash	ASTM D1102	wt. %	0.41	0.39
Volatile Matter	ASTM D3175	wt. %		
Fixed Carbon by Difference	ASTM D3172	wt. %		
Sulfur	ASTM D4239	wt. %	0.101	0.096
SO ₂	Calculated	lb/mmbtu		0.246
Net Cal. Value at Const. Pressure	ISO 1928	GJ/tonne	17.80	16.83
Gross Cal. Value at Const. Vol.	ASTM E711	Btu/lb	8190	7795
Carbon	ASTM D5373	wt. %	49.21	46.83
Hydrogen*	ASTM D5373	wt. %	5.70	5.43
Nitrogen	ASTM D5373	wt. %	< 0.20	< 0.19
Oxygen*	ASTM D3176	wt. %	> 44.38	> 42.24

*Note: As received values do not include hydrogen and oxygen in the total moisture.

Chlorine	ASTM D6721	mg/kg		
Fluorine	ASTM D3761	mg/kg		
Mercury	ASTM D6722	mg/kg		
Bulk Density	ASTM E873	lbs/ft ³		
Fines (Less than 1/8")	TPT CH-P-06	wt. %		
Durability Index	Kansas State	PDI		
Sample Above 1.50"	TPT CH-P-06	wt. %		
Maximum Length (Single Pellet)	TPT CH-P-06	inch		
Diameter, Range	TPT CH-P-05	inch		to
Diameter, Average	TPT CH-P-05	inch		
Stated Bag Weight	TPT CH-P-01	lbs		
Actual Bag Weight	TPT CH-P-01	lbs		

Comments:



Accreditation #60243

Results issued on this report only reflect the analysis of the sample submitted. Our reports and letters are for the exclusive and confidential use of our clients and may not be reproduced, except in their entirety, without the written approval of Twin Ports Testing. Twin Ports Testing Laboratory is accredited to the ISO/IEC 17025:2017 standard by PJLA.

ASTM E2515 - Glass Fiber Filters

Date:	12/20/23	12/22/23					
	Time:	15:00	0830				
	Weight 1	Weight 2	Weight 3	Weight 4	Initial	Project	Run
G00805	231.8	231.8	-	-	A	23-229	#9
G00806	231.3	231.4	-	-	A	↓	↓
G00807	228.5	228.7	-	-	A	23-235	#1
G00808	233.9	233.8	-	-	A	↓	↓
G00809	232.1	232.1	-	-	A	↓	↓
G00810	231.6	231.5	-	-	A	↓	↓
G00811	231.4	231.3	-	-	A		#1
G00812	230.5	230.4	-	-	A		↓
G00813	231.1	231.1	-	-	A		↓
G00814	230.9	230.9	-	-	A		↓
G00815	232.1	232.0	-	-	A	23-237	#1
G00816	231.5	231.5	-	-	A	↓	↓
G00817	231.6	231.6	-	-	A	↓	↓
G00818	231.0	231.0	-	-	A	↓	↓
G00819	231.3	231.2	-	-	A	23-236	#1
G00820	230.6	230.5	-	-	A	↓	↓

Date:	1/8/24	1/9/24					
	Time:	10:30	0730				
	Weight 1	Weight 2	Weight 3	Weight 4	Initial	Project	Run
G00821	231.3	231.3	-	-	A	23-231	#1
G00822	231.7	231.6	-	-	A	↓	↓
G00823	231.5	231.5	-	-	A	23-239	#1
G00824	231.1	231.0	-	-	A	↓	↓
G00825	231.9	231.8	-	-	A	↓	↓
G00826	231.0	230.9	-	-	A	↓	↓
G00827	230.7	230.6	-	-	A	23-242	#1
G00828	231.4	231.2	-	-	A	↓	↓
G00829	232.3	232.3	-	-	A	↓	↓
G00830	231.1	231.2	-	-	A	↓	↓
G00831	231.5	231.6	-	-	A	23-242	#2
G00832	230.6	230.6	-	-	A	↓	↓
G00833	230.3	230.3	-	-	A	↓	↓
G00834	231.2	231.2	-	-	A	↓	↓
G00835	231.1	231.0	-	-	A	23-242	#3
G00836	230.7	230.7	-	-	A	↓	↓

ASTM E2515 - O-Ring Samples 11-20

	Date:		12/12		12/13		12/14				
	Time:		10:30		12:00		10:00				
	Weight 1	Weight 2	Weight 3	Weight 4	Initial	Project	Run				
11A	3424.0	3423.9	-	-	SB	22-741	C2-#7				
11B	4233.7	4233.6	-	-	SB						
11C	3588.4	3588.3	-	-	SB						
12A	3586.1	3585.9	-	-	SB	23-22A	#6				
12B	3550.7	3550.4	3550.4	-	SB						
12C	3616.3	3616.1	-	-	SB						
13A	3596.3	3596.2	-	-	SB		#7				
13B	3642.5	3642.5	-	-	SB						
13C	4410.1	4409.7	4409.5	-	SB						
14A	3366.9	3366.6	3366.4	-	SB		#8				
14B	3342.0	3341.7	3341.5	-	SB						
14C	3445.1	3445.0	-	-	SB						
15A	3570.1	3570.0	-	-	SB		#9				
15B	3571.3	3571.2	-	-	SB						
15C	3397.2	3396.8	3396.8	-	SB						

	Date:		1/2/24		1/3/24						
	Time:		14:30		08:30						
	Weight 1	Weight 2	Weight 3	Weight 4	Initial	Project	Run				
16A	3573.0	3573.2	-	-	SB	23-235	#1				
16B	3638.5	3638.6	-	-	SB						
16C	3601.7	3601.6	-	-	SB						
17A	3613.2	3613.1	-	-	SB	XXXXXXXXXX					
17B	3568.9	3568.9	-	-	SB						
17C	3596.8	3596.7	-	-	SB						
18A	3602.7	3602.8	-	-	SB	23-237	#1				
18B	3546.3	3546.2	-	-	SB						
18C	3528.5	3528.5	-	-	SB						
19A	3585.6	3585.7	-	-	SB	23-236	#1				
19B	3632.9	3633.0	-	-	SB						
19C	3615.1	3615.2	-	-	SB						
20A	3558.4	3558.6	-	-	SB	23-234	#1				
20B	* 3617.3 3614.0	3614.1	-	-	SB						
20C	3610.3	3610.5	-	-	SB						

ASTM E2515 - Probe Samples 11-20

Date:	12/12	12/13	12/15	12/18			
Time:	10:30	12:00	10:00	9:00			
	Weight 1	Weight 2	Weight 3	Weight 4	Initial	Project	Run
11A	116865.6	116865.7	-	-	SB	22-701	c2#7
11B	117339.3	117339.4	-	-	SB		
11C	116185.5	116185.6	-	-	SB		
12A	116705.4	116705.8	116705.9	-	SB	23-229	#6
12B	117771.8	117771.8	-	-	SB		
12C	117171.5	117171.7	-	-	SB		
13A	117315.1	117314.9	-	-	SB		#7
13B	116941.6	116941.4	-	-	SB		
13C	115650.4	115650.2	-	-	SB		
14A	116633.4	116633.2	-	-	SB		#8
14B	116619.5	116619.3	-	-	SB		
14C	116530.6	116530.4	-	-	SB		
15A	117239.8	117239.5	117239.8	117239.9	SB	↓	#9
15B	116752.8	116752.6	-	-	SB		
15C	116847.7	116847.5	-	-	SB		

Date:	1/2/24	1/3/24					
Time:	1400	0830					
	Weight 1	Weight 2	Weight 3	Weight 4	Initial	Project	Run
16A	116378.3	116378.4	-	-	SB	23-235	#1
16B	115860.5	115860.7	-	-	SB		
16C	114147.1	114147.3	-	-	SB		
17A	116810.0	116810.2	-	-	SB	 	
17B	117139.7	117139.8	-	-	SB		
17C	113140.6	113140.7	-	-	SB		
18A	117499.6	117499.7	-	-	SB	23-237	#1
18B	117331.9	117331.8	-	-	SB		
18C	114334.9	114335.1	-	-	SB		
19A	117026.1	117025.9	-	-	SB	23-236	#1
19B	117013.0	117012.9	-	-	SB		
19C	114230.8	114230.9	-	-	SB		
20A	115626.1	115626.2	-	-	SB	23-234	#1
20B	115965.4	115965.9	115966.1	-	A		
20C	113774.9	113775.0	-	-	SB		

Equations and Sample Calculations – ASTM E2779 & E2515

Client Enerco
 Model: PS130W
 Tracking #: 174
 Run: 1

Equations used to calculate the parameters listed below are described in this appendix. Sample calculations are provided for each equation. The raw data and printout results from a sample run are also provided for comparison to the sample calculations.

M_{Bdb} – Weight of test fuel burned during test run, dry basis, kg

M_{BSidb} – Weight of test fuel burned during test run segment i , dry basis, kg

BR – Average dry burn rate over full integrated test run, kg/hr

BR_{Si} – Average dry burn rate over test run segment i , kg/hr

V_s – Average gas velocity in the dilution tunnel, ft/sec

Q_{sd} – Average gas flow rate in dilution tunnel, dscf/hr

$V_{m(std)}$ – Volume of Gas Sampled Corrected to Dry Standard Conditions, dscf

m_n – Total Particulate Matter Collected, mg

C_s - Concentration of particulate matter in tunnel gas, dry basis, corrected to STP, g/dscf

E_T – Total Particulate Emissions, g

PR - Proportional Rate Variation

PM_R – Average particulate emissions for full integrated test run, g/hr

PM_F – Average particulate emission factor for full integrated test run, g/dry kg of fuel burned

M_{Bdb} – Weight of test fuel burned during test run, dry basis, kg
ASTM E2779 equation (1)

$$M_{Bdb} = (M_{Swb} - M_{Ewb})(100/(100 + FM))$$

Where,

- FM = average fuel moisture of test fuel, % dry basis
- M_{Swb} = weight of test fuel in hopper at start of test run, wet basis, kg
- M_{Ewb} = weight of test fuel in hopper at end of test run, wet basis, kg

Sample Calculation:

- FM = 5.08 %
- M_{Swb} = 17.2 lbs
- M_{Ewb} = 0.0 lbs
- 0.4536 = Conversion factor from lbs to kg

$$M_{Bdb} = [(17.2 \times 0.4536) - (0.0 \times 0.4536)] (100/(100 + 5.075))$$

$$M_{Bdb} = \mathbf{7.44 \text{ kg}}$$

M_{BSidb} – Weight of test fuel burned during test run segment i , dry basis, kg

ASTM E2779 equation (2)

$$M_{BSidb} = (M_{S_{Siwb}} - M_{E_{Siwb}})(100/(100 + FM))$$

Where,

$M_{S_{Siwb}}$ = weight of test fuel in hopper at start of test run segment i , wet basis, kg

$M_{E_{Siwb}}$ = weight of test fuel in hopper at end of test run segment i , wet basis, kg

Sample Calculation (from medium burn rate segment):

$$FM = 5.08 \%$$

$$M_{S_{Siwb}} = 12.2 \text{ lbs}$$

$$M_{E_{Siwb}} = 6.2 \text{ lbs}$$

0.4536 = Conversion factor from lbs to kg

$$M_{BSidb} = [(12.2 \times 0.4536) - (6.2 \times 0.4536)] (100/(100 + 5))$$

$$M_{BSidb} = \mathbf{2.55 \text{ kg}}$$

BR – Average dry burn rate over full integrated test run, kg/hr

ASTM E2779 equation (3)

$$BR = \frac{60 M_{Bdb}}{\theta}$$

Where,

$$\theta = \text{Total length of full integrated test run, min}$$

Sample Calculation:

$$M_{Bdb} = 7.44 \quad \text{kg}$$

$$\theta = 360 \quad \text{min}$$

$$BR = \frac{60 \times 7.44}{360}$$

$$BR = \mathbf{1.24} \quad \text{kg/hr}$$

BR_{Si} – Average dry burn rate over test run segment *i*, kg/hr

ASTM E2779 equation (4)

$$BR_{Si} = \frac{60 M_{BSidb}}{\theta_{Si}}$$

Where,

$$\theta_{Si} = \text{Total length of test run segment } i, \text{ min}$$

Sample Calculation (from medium burn rate segment):

$$M_{BSidb} = 2.55 \text{ kg}$$

$$\theta = 120 \text{ min}$$

$$BR = \frac{60 \times 2.55}{120}$$

$$BR = \mathbf{1.28} \text{ kg/hr}$$

V_s – Average gas velocity in the dilution tunnel, ft/sec

ASTM E2515 equations (9)

$$V_s = F_p \times K_p \times C_p \times (\sqrt{\Delta P})_{avg} \times \sqrt{\frac{T_s}{P_s \times M_s}}$$

Where:

- F_p = Adjustment factor for center of tunnel pitot tube placement, $F_p = \frac{V_{strav}}{V_{scent}}$, ASTM E2515 Equation (1)
- V_{scent} = Dilution tunnel velocity calculated after the multi-point pitot traverse at the center, ft/sec
- V_{strav} = Dilution tunnel velocity calculated after the multi-point pitot traverse, ft/sec
- k_p = Pitot tube constant, 85.49
- C_p = Pitot tube coefficient: 0.99, unitless
- ΔP^* = Velocity pressure in the dilution tunnel, in H₂O
- T_s = Absolute average gas temperature in the dilution tunnel, °R; (°R = °F + 460)
- P_s = Absolute average gas static pressure in dilution tunnel, = $P_{bar} + P_g$, in Hg
- P_{bar} = Barometric pressure at test site, in. Hg
- P_g = Static pressure of tunnel, in. H₂O; (in Hg = in H₂O/13.6)
- M_s = **The dilution tunnel wet molecular weight; $M_s = 28.78$ assuming a dry weight of 29 lb/lb-mole

Sample calculation:

$$F_p = \frac{19.84}{20.24} = 0.980$$

$$V_s = 0.980 \times 85.49 \times 0.99 \times 0.299 \times \left(\frac{90.4 + 460}{29.91 + \frac{-0.16}{13.6}} \right)^{1/2} \times 28.78$$

$$V_s = \mathbf{19.85 \text{ ft/s}}$$

*The ASTM test standard mistakenly has the square root of the average delta p instead of the average of the square root of delta p. The current EPA Method 2 is also incorrect. This was verified by Mike Toney at EPA.

**The ASTM test standard mistakenly identifies M_s as the dry molecular weight. It should be the wet molecular weight as indicated in EPA Method 2.

Q_{sd} – Average gas flow rate in dilution tunnel, dscf/hr

ASTM E2515 equation (3)

$$Q_{sd} = 3600 \times (1 - B_{ws}) \times v_s \times A \times \frac{T_{std}}{T_s} \times \frac{P_s}{P_{std}}$$

Where:

- 3600 = Conversion from seconds to hours (ASTM method uses 60 to convert in minutes)
- B_{ws} = Water vapor in gas stream, proportion by volume; assume 2%
- A = Cross sectional area of dilution tunnel, ft²
- T_{std} = Standard absolute temperature, 528 °R
- P_s = Absolute average gas static pressure in dilution tunnel, = P_{bar} + P_g, in Hg
- T_s = Absolute average gas temperature in the dilution tunnel, °R; (°R = °F + 460)
- P_{std} = Standard absolute pressure, 29.92 in Hg

Sample calculation:

$$Q_{sd} = 3600 \times (1 - 0.02) \times 19.85 \times 0.1963 \times \frac{528}{90.4 + 460} \times \frac{29.91 + \frac{-0.16}{13.6}}{29.92}$$

$$Q_{sd} = 13178.5 \text{ dscf/hr}$$

$V_{m(std)}$ – Volume of Gas Sampled Corrected to Dry Standard Conditions, dscf
 ASTM E2515 equation (6)

$$V_{m(std)} = K_1 \times V_m \times Y \times \frac{P_{bar} + \left(\frac{\Delta H}{13.6} \right)}{T_m}$$

Where:

- K_1 = 17.64 °R/in. Hg
- V_m = Volume of gas sample measured at the dry gas meter, dcf
- Y = Dry gas meter calibration factor, dimensionless
- P_{bar} = Barometric pressure at the testing site, in. Hg
- ΔH = Average pressure differential across the orifice meter, in. H₂O
- T_m = Absolute average dry gas meter temperature, °R

Sample Calculation:

Using equation for Train A:

$$V_{m(std)} = 17.64 \times 68.485 \times 1.004 \times \frac{\left(29.91 + \frac{3.56}{13.6} \right)}{\left(93.5 + 460 \right)}$$

$$V_{m(std)} = \mathbf{66.117} \text{ dscf}$$

Using equation for Train B:

$$V_{m(std)} = 17.64 \times 65.167 \times 1.004 \times \frac{\left(29.91 + \frac{3.32}{13.6} \right)}{\left(92.4 + 460 \right)}$$

$$V_{m(std)} = \mathbf{63.007} \text{ dscf}$$

Using equation for ambient train:

$$V_{m(std)} = 17.64 \times 40.23 \times 1.003 \times \frac{\left(29.91 + \frac{0.00}{13.6} \right)}{\left(66.9 + 460 \right)}$$

$$V_{m(std)} = \mathbf{40.403} \text{ dscf}$$

m_n – Total Particulate Matter Collected, mg

ASTM E2515 Equation (12)

$$m_n = m_p + m_f + m_g$$

Where:

m_p = mass of particulate matter from probe, mg

m_f = mass of particulate matter from filters, mg

m_g = mass of particulate matter from filter seals, mg

Sample Calculation:

Using equation for Train A:

$$m_n = 0.4 + 6.6 + 0.6$$

$$m_n = \mathbf{7.6} \text{ mg}$$

Using equation for Train B:

$$m_n = 0.8 + 6.2 + 1.0$$

$$m_n = \mathbf{8.0} \text{ mg}$$

C_s - Concentration of particulate matter in tunnel gas, dry basis, corrected to standard conditions, g/dscf
 ASTM E2515 equation (13)

$$C_s = K_2 \times \frac{m_n}{V_{m(\text{std})}}$$

Where:

- K_2 = Constant, 0.001 g/mg
 m_n = Total mass of particulate matter collected in the sampling train, mg
 $V_{m(\text{std})}$ = Volume of gas sampled corrected to dry standard conditions, dscf

Sample calculation:

For Train A:

$$C_s = 0.001 \times \frac{7.6}{66.117}$$

$$C_s = \mathbf{0.00011} \text{ g/dscf}$$

For Train B:

$$C_s = 0.001 \times \frac{8.0}{63.007}$$

$$C_s = \mathbf{0.00013} \text{ g/dscf}$$

For Ambient Train

$$C_r = 0.001 \times \frac{0.0}{40.403}$$

$$C_r = \mathbf{0.000000} \text{ g/dscf}$$

E_T – Total Particulate Emissions, g

ASTM E2515 equation (15)

$$E_T = (C_s - C_r) \times Q_{std} \times \theta$$

Where:

- C_s = Concentration of particulate matter in tunnel gas, g/dscf
- C_r = Concentration particulate matter room air, g/dscf
- Q_{std} = Average dilution tunnel gas flow rate, dscf/hr
- θ = Total time of test run, minutes

Sample calculation:

For Train A

$$E_T = (0.000115 - 0.000000) \times 13178.5 \times 360 /60$$

$$E_T = \mathbf{9.09} \text{ g}$$

For Train B

$$E_T = (0.000127 - 0.000000) \times 13178.5 \times 360 /60$$

$$E_T = \mathbf{10.04} \text{ g}$$

Average

$$E = \mathbf{9.56} \text{ g}$$

Total emission values shall not differ by more than 7.5% from the total average emissions

- 7.5% of the average = 0.72
- Train A difference (%) = **5.0%**
- Train B difference (%) = **5.0%**

PR - Proportional Rate Variation

ASTM E2515 equation (16)

$$PR = \left[\frac{\theta \times V_{mi} \times V_s \times T_m \times T_{si}}{\theta_i \times V_m \times V_{si} \times T_{mi} \times T_s} \right] \times 100$$

Where:

- θ = Total sampling time, min
- θ_i = Length of recording interval, min
- V_{mi} = Volume of gas sample measured by the dry gas meter during the "ith" time interval, dcf
- V_m = Volume of gas sample as measured by dry gas meter, dcf
- V_{si} = Average gas velocity in the dilution tunnel during the "ith" time interval, ft/sec
- V_s = Average gas velocity in the dilution tunnel, ft/sec
- T_{mi} = Absolute average dry gas meter temperature during the "ith" time interval, °R
- T_m = Absolute average dry gas meter temperature, °R
- T_{si} = Absolute average gas temperature in the dilution tunnel during the "ith" time interval, °R
- T_s = Absolute average gas temperature in the dilution tunnel, °R

Sample calculation (for the first 10 minute interval of Train A):

$$PR = \left(\frac{360 \times 1.69 \times 19.85 \times (93.5 + 460) \times (### + 460)}{10 \times 68.485 \times 20.28 \times (90.4 + 460) \times (72.2 + 460)} \right) \times 100$$

$$PR = \quad \mathbf{93} \quad \%$$

PM_R – Average particulate emissions for full integrated test run, g/hr
ASTM E2779 equation (5)

$$PM_R = 60 (E_T/\theta)$$

Where,

E_T = Total particulate emissions, grams

θ = Total length of full integrated test run, min

Sample Calculation:

$$E_T (\text{Dual train average}) = 9.56 \text{ g}$$

$$\theta = 360 \text{ min}$$

$$PM_R = 60 \times (9.56 / 360)$$

$$PM_R = 1.59 \text{ g/hr}$$

PM_F – Average particulate emission factor for full integrated test run, g/dry kg of fuel burned
ASTM E2779 equation (6)

$$PM_F = E_T / M_{Bdb}$$

Where,

E_T = Total particulate emissions, grams

M_{Bdb} = Weight of test fuel burned during test run, dry basis, kg

Sample Calculation:

$$E_T \text{ (Dual train average)} = 9.56 \text{ g}$$

$$M_{Bdb} = 7.44 \text{ kg}$$

$$PM_F = 9.56 / 7.44)$$

$$PM_F = \mathbf{1.29} \text{ g/kg}$$

Stack Loss Efficiency and CO emissions calculations are done in accordance with CSA B415.1, using the password protected excel spreadsheet provided with the test standard. No alterations or alternative calculations are used for determining efficiency or CO emissions. The following pages are a sample of the calculations page from the B415.1 Spreadsheet (V2_4 - Dated April 15, 2010).

Manufacturer: Enerco
Model: PS130W
Date: 01/09/24
Run: 1
Control #: 23-236
Test Duration: 360 min

	HHV	LHV
Eff	77.48%	82.83%
Comb Eff	99.50%	99.50%
HT Eff	77.87%	83.25%
Output	18,291	kJ/h
Burn Rate	1.24	kg/h
Grams CO	101	g
Input	23,606	kJ/h
MC wet	4.83	
Averages	0.05	4.41

Note: In the "Input data", "Calc. % O₂", "Fuel Properties", and "Mass Balance" columns, [e], [d], [g], [a], [b], [c], [h], [u], [w], [j], and [k] refer to their respective variables in Clauses 13.7.3 to 13.7.5.

Ultimate CO₂
 CO_{2-ult} 20.85
 F₀
 0.995

Overall Heating Efficiency: 77.48%
 Combustion Efficiency: 99.50%
 Heat Transfer Efficiency: 77.87%
 Heat Output: 17,351 Btu/h
 Heat Input: 22,393 Btu/h
 Burn Duration: 6.00 h
 Burn Rate: 2.73 lb/h
 Stack Temp: 237.1 Deg. F

Air Fuel Ratio (A/F)	
Dry Molecular Weight (M _d)	29.36
Dry Moles Exhaust Gas (N _r)	953.50
Air Fuel Ratio (A/F)	27.49

%HC 0.8

18,291 kJ/h
23,606 kJ/h

1.240 kg/h

114.0 Deg. C

INPUT DATA				Oxygen Calculation			Input Data		Combust	Heat	Net	Air	Wet Wt	% Wet	Dry Wt.	% Dry	Total	Carbon
Elapsed Time	Weight Remaining (kg)	% CO [e]	% CO ₂ [d]	Excess Air EA	Total O ₂	Calc. % O ₂ [g]	Flue Gas (°C)	Room Temp (°C)	Eff %	Transfer %	Eff %	Fuel Ratio	Now Wt	Consumed x	Now Wt _{dn}	Consumed y	Input	/12= [a]
0	7.82	0.02	5.70	264.6%	20.91	15.21	175.8	20.0	100.4%	74.3%	74.6%	20.8	7.82	0.00	7.44	0.00	0	4.10
1	7.78	0.03	5.78	258.8%	20.91	15.12	174.6	20.0	100.3%	74.7%	74.9%	20.5	7.78	0.46	7.41	0.46	986	4.10
2	7.75	0.06	4.74	335.1%	20.92	16.15	171.3	19.9	100.0%	71.5%	71.4%	24.9	7.75	0.93	7.37	0.93	658	4.10
3	7.71	0.03	5.70	264.4%	20.91	15.21	171.9	19.9	100.4%	74.7%	75.0%	20.8	7.71	1.39	7.34	1.39	658	4.10
4	7.67	0.02	5.98	247.6%	20.91	14.93	172.1	20.1	100.4%	75.5%	75.8%	19.9	7.67	1.86	7.30	1.86	617	4.10
5	7.64	0.04	5.50	276.7%	20.92	15.40	172.2	19.9	100.2%	74.1%	74.3%	21.5	7.64	2.26	7.27	2.26	658	4.10
6	7.60	0.04	5.03	311.7%	20.92	15.87	171.4	19.8	100.3%	72.6%	72.8%	23.5	7.60	2.79	7.23	2.79	658	4.10
7	7.57	0.01	6.98	198.3%	20.91	13.92	170.7	19.8	100.5%	77.9%	78.3%	17.0	7.57	3.19	7.20	3.19	658	4.10
8	7.53	0.02	6.15	237.9%	20.91	14.75	170.8	19.9	100.4%	76.1%	76.4%	19.3	7.53	3.71	7.16	3.71	699	4.10
9	7.49	0.02	5.75	261.1%	20.91	15.15	170.3	19.8	100.4%	75.1%	75.4%	20.6	7.49	4.18	7.13	4.18	699	4.10
10	7.45	0.02	6.53	218.0%	20.91	14.37	170.9	19.9	100.3%	77.0%	77.2%	18.2	7.45	4.70	7.09	4.70	658	4.10
11	7.42	0.03	5.61	269.8%	20.92	15.29	169.9	19.9	100.3%	74.7%	74.9%	21.1	7.42	5.11	7.06	5.11	658	4.10
12	7.38	0.04	5.71	263.0%	20.91	15.19	169.6	19.9	100.2%	75.1%	75.2%	20.7	7.38	5.63	7.02	5.63	781	4.10
13	7.33	0.02	7.44	179.7%	20.91	13.46	173.5	19.8	100.3%	78.5%	78.8%	16.0	7.33	6.21	6.98	6.21	781	4.10
14	7.29	0.02	7.01	196.8%	20.91	13.89	173.7	19.9	100.4%	77.7%	78.0%	17.0	7.29	6.73	6.94	6.73	699	4.10
15	7.25	0.03	5.47	278.9%	20.92	15.43	172.8	19.8	100.3%	73.9%	74.2%	21.7	7.25	7.20	6.90	7.20	699	4.10
16	7.21	0.02	6.37	226.1%	20.91	14.53	173.3	19.8	100.4%	76.3%	76.6%	18.6	7.21	7.72	6.87	7.72	781	4.10
17	7.17	0.02	7.27	186.1%	20.91	13.63	173.8	19.8	100.3%	78.2%	78.4%	16.3	7.17	8.30	6.82	8.30	781	4.10
18	7.13	0.03	5.90	251.3%	20.91	14.99	174.7	19.8	100.3%	75.0%	75.2%	20.1	7.13	8.82	6.78	8.82	740	4.10
19	7.09	0.02	6.04	243.7%	20.91	14.86	174.8	19.8	100.4%	75.4%	75.6%	19.6	7.09	9.34	6.74	9.34	699	4.10
20	7.05	0.02	6.62	214.0%	20.91	14.28	175.1	19.8	100.4%	76.7%	77.1%	17.9	7.05	9.81	6.71	9.81	658	4.10
21	7.01	0.02	6.00	246.4%	20.91	14.90	175.1	19.9	100.4%	75.2%	75.6%	19.8	7.01	10.27	6.68	10.27	740	4.10
22	6.97	0.01	6.91	201.1%	20.91	13.99	175.9	19.8	100.4%	77.3%	77.6%	17.2	6.97	10.85	6.63	10.85	658	4.10
23	6.94	0.03	5.39	284.1%	20.92	15.51	174.8	19.8	100.3%	73.4%	73.6%	22.0	6.94	11.20	6.61	11.20	658	4.10
24	6.90	0.02	5.87	253.9%	20.91	15.03	174.2	19.9	100.4%	75.0%	75.3%	20.2	6.90	11.78	6.56	11.78	781	4.10
25	6.86	0.02	6.84	204.2%	20.91	14.07	174.6	19.8	100.4%	77.2%	77.5%	17.4	6.86	12.30	6.52	12.30	699	4.10
26	6.82	0.03	5.52	275.5%	20.92	15.38	174.7	19.9	100.4%	73.9%	74.1%	21.5	6.82	12.77	6.49	12.77	617	4.10
27	6.79	0.06	5.07	306.2%	20.92	15.82	173.7	19.6	99.8%	72.4%	72.3%	23.2	6.79	13.17	6.46	13.17	699	4.10
28	6.74	0.02	5.78	259.3%	20.91	15.12	173.5	19.7	100.4%	74.8%	75.1%	20.5	6.74	13.76	6.42	13.76	781	4.10
29	6.70	0.02	7.00	197.3%	20.91	13.91	181.8	19.9	100.4%	76.9%	77.1%	17.0	6.70	14.28	6.38	14.28	699	4.10
30	6.67	0.08	4.72	334.6%	20.92	16.16	174.8	19.9	99.6%	70.9%	70.6%	24.8	6.67	14.74	6.34	14.74	658	4.10
31	6.63	0.02	5.46	280.7%	20.92	15.45	172.6	19.8	100.5%	73.9%	74.2%	21.8	6.63	15.21	6.31	15.21	699	4.10
32	6.59	0.01	6.57	216.9%	20.91	14.34	173.6	19.7	100.4%	76.8%	77.1%	18.1	6.59	15.73	6.27	15.73	740	4.10

		SUMS								AVERAGE	SUMS							
3577.22	3299.11	292.53	55204.62	157648.71	58920.87	726275.97	-54141.67	494031.43	48112.01	4116.49	31141.87	-43.00	31184.9	110622.7	-74.6	101.2	-19.1	
emperature		Room Temp	Energy Losses (kJ/kg of Dry Fuel)								Total Loss Rate	Total Loss	Chemical Loss 1	Sensible and Latent Loss	Total Output	Chem Loss 2	Grams Produced	
CH ₄	H ₂ O	K	Flue Gas Constituent														CO	HC
			CO ₂	O ₂	CO	N ₂	CH ₄	H ₂ O Comb	H ₂ O Fuel MC									
6114.15	5448.16	293.15	258.29	515.53	49.85	2574.15	-125.10	1427.98	139.33	4840.05	0.00	0	0.00	0	0	0.00	0.00	
6060.89	5404.88	293.15	255.85	500.35	61.32	2513.00	-117.14	1425.85	139.21	4778.46	247.60	-3	250.50	739	-3	0.31	-0.11	
5922.81	5292.72	293.09	248.80	634.77	136.31	2983.62	-127.95	1423.81	138.90	5438.24	187.86	0	187.62	470	0	0.46	-0.08	
5949.32	5314.35	293.09	251.63	502.38	51.89	2509.29	-124.11	1424.01	138.96	4754.03	164.23	-2	166.72	493	-2	0.17	-0.08	
5950.27	5314.45	293.21	251.83	470.42	41.57	2393.65	-119.15	1423.47	138.96	4600.75	149.00	-3	151.50	468	-3	0.13	-0.07	
5958.97	5322.22	293.09	251.34	526.70	81.52	2597.28	-118.54	1423.62	138.98	4900.91	169.30	-1	170.59	488	-1	0.27	-0.07	
5933.45	5302.41	292.93	250.35	591.38	86.79	2829.48	-135.72	1424.94	138.92	5186.15	179.15	-2	180.86	478	-2	0.29	-0.08	
5897.79	5272.96	292.98	250.20	373.40	15.28	2037.21	-102.85	1420.48	138.84	4132.55	142.76	-3	145.77	515	-3	0.05	-0.06	
5900.67	5274.98	293.04	249.90	448.54	38.48	2309.34	-115.07	1421.88	138.85	4491.92	164.87	-3	167.67	534	-3	0.14	-0.08	
5883.36	5261.17	292.98	249.23	491.08	41.13	2461.96	-126.78	1422.77	138.81	4678.19	171.71	-3	174.84	527	-3	0.15	-0.08	
5903.55	5276.99	293.09	249.81	411.11	43.44	2173.44	-102.00	1420.50	138.85	4335.16	149.76	-2	151.78	508	-2	0.15	-0.06	
5862.18	5243.52	293.04	247.78	505.86	67.38	2512.23	-120.62	1421.58	138.76	4772.97	164.88	-2	166.73	493	-2	0.23	-0.07	
5850.16	5233.69	293.04	247.15	492.10	72.33	2460.81	-114.78	1420.66	138.73	4717.00	193.50	-2	195.25	587	-2	0.29	-0.08	
6020.77	5373.26	292.98	254.88	344.82	23.88	1945.86	-89.00	1421.84	139.12	4041.39	165.78	-3	168.45	615	-3	0.10	-0.07	
6026.08	5377.24	293.04	255.07	378.13	27.04	2067.19	-97.16	1422.86	139.13	4192.26	153.87	-3	156.44	545	-3	0.10	-0.06	
5991.80	5349.65	292.98	253.04	533.61	66.91	2626.52	-125.87	1425.22	139.06	4918.49	180.53	-2	182.70	518	-2	0.24	-0.08	
6013.05	5367.31	292.93	254.34	433.80	40.86	2267.48	-107.58	1423.72	139.11	4451.71	182.62	-3	185.35	598	-3	0.16	-0.08	
6034.79	5385.01	292.93	255.42	358.02	26.06	1995.19	-91.66	1422.48	139.16	4104.67	168.38	-3	171.06	613	-3	0.10	-0.07	
6071.54	5414.57	292.98	256.26	486.57	62.03	2464.19	-112.66	1425.64	139.24	4721.27	183.48	-2	185.46	556	-2	0.23	-0.08	
6078.80	5420.47	292.98	256.94	472.32	45.03	2413.94	-115.57	1426.13	139.26	4638.05	170.23	-3	172.82	528	-3	0.16	-0.08	
6088.48	5428.34	292.98	257.62	415.15	28.61	2208.07	-106.00	1425.30	139.28	4368.03	150.89	-3	153.56	507	-3	0.10	-0.07	
6088.96	5428.39	293.04	257.58	478.33	35.53	2437.20	-121.06	1426.97	139.28	4653.83	180.86	-3	184.17	559	-3	0.13	-0.08	
6129.17	5461.74	292.93	259.33	392.51	24.01	2130.34	-100.81	1425.70	139.37	4270.44	147.52	-3	150.16	510	-3	0.08	-0.06	
6078.80	5420.47	292.98	256.37	550.94	74.41	2698.12	-125.65	1427.24	139.26	5020.70	173.44	-2	175.22	484	-2	0.25	-0.08	
6045.90	5393.02	293.09	255.65	489.65	44.36	2473.42	-121.49	1425.99	139.18	4706.76	193.08	-3	196.24	588	-3	0.18	-0.09	
6069.12	5412.60	292.98	256.82	395.00	27.72	2132.95	-100.98	1424.30	139.23	4275.05	156.91	-3	159.59	542	-3	0.10	-0.07	
6069.60	5412.65	293.04	256.32	533.45	59.91	2634.26	-126.96	1427.16	139.23	4923.38	159.45	-2	161.62	457	-2	0.19	-0.07	
6037.71	5388.75	292.71	253.22	590.46	141.10	2834.65	-109.97	1424.60	139.17	5273.24	193.55	1	192.46	505	1	0.50	-0.07	
6024.65	5377.09	292.87	254.84	498.65	45.04	2504.05	-124.21	1425.83	139.13	4743.34	194.58	-3	197.82	586	-3	0.18	-0.09	
6378.76	5662.69	293.09	269.22	399.46	27.11	2181.12	-97.46	1431.12	139.94	4350.50	159.68	-3	162.25	539	-3	0.10	-0.06	
6072.50	5414.66	293.09	253.50	648.70	188.11	3047.24	-106.06	1424.92	139.24	5595.64	193.30	3	190.54	464	3	0.63	-0.07	
5982.14	5341.79	292.98	253.13	536.22	47.72	2635.88	-134.88	1425.99	139.03	4903.09	179.96	-3	183.15	519	-3	0.17	-0.09	
6029.00	5380.98	292.82	255.34	416.99	25.26	2208.87	-108.97	1424.27	139.14	4360.90	169.48	-3	172.72	570	-3	0.10	-0.08	

REV	DESCRIPTION OF CHANGE	DATE	CHANGED BY
A	NEW RELEASE	2019.02.05	CRM
B	ADD US PATENT PENDING	2021.04.30	CZ
C	ADD TSC F#'s, UPDATE STANDARDS	2021.08.20	CZ
D	CLARIFYING CLEARANCE TO COMBUSTIBLES GRAPHIC	2021.08.30	CZ
E	Added 2022 to Date of Manufacture	2021.12.29	CZ
F	Changed from "Type 2" to "non-insulated" ember board	2023.02.17	CC
G	Updated to PFS & New Standards	2024.01.15	CZ

F500200	PS60W
F500205	PS130W
F500210	PSBF66W
F500204	PS60W
F500209	PS130W
F500213	PSBF66W

USED ON

CAUTION: HOT WHILE IN OPERATION. DO NOT TOUCH. KEEP CHILDREN, CLOTHING, AND FURNITURE AWAY. CONTACT MAY CAUSE SKIN BURNS. SEE NAMEPLATE AND INSTRUCTIONS.

MINIMUM CLEARANCES TO COMBUSTIBLES

When installed on a combustible floor, non-combustible fire protection is required to cover the area beneath the heater and extend at least 18" (457 mm) to the front and at least 6" (152 mm) beyond each side of the front heater. The front heater shall be 253 mm (10 in) or less from the back surface of the floor. Lateral clearance shall be 100 mm (4 in) or less than 17" (430 mm) from the side and 2" (51 mm) from the rear to combustibles. The vent pipe must be at least 3" (76 mm) from any wall. Minimum floor-to-ceiling distance (H134 mm).

If the stove is to be installed on combustible flooring, the floor must be protected with non-insulated ember boards. See manual for additional information on floor protection.

Vent Through Rear Wall (Event à travers le mur arrière)
 Vent With Vertical Vent Pipe (Vent avec tuyau vertical au toit)
 NON-COMBUSTIBLE FLOOR PROTECTION (PROTECTION DE LA FONDATION COMBUSTIBLE)

ATTENTION : BRÛLANT DURANT LE FONCTIONNEMENT. NE PAS TOUCHER. GARDER LES ENFANTS, LES VÊTEMENTS ET L'AMEUBLEMENT ÉLOIGNÉS. LE CONTACT POURRAIT CAUSER DES BRÛLURES. VOIR LA FICHE SIGNALÉTIQUE ET LES INSTRUCTIONS.

DÉGAGEMENTS MINIMAUX DE MATÉRIES COMBUSTIBLES

Four installation sur un plancher combustible, une protection non combustible doit couvrir la zone sous le poêle et dépasser au moins 457 mm (18 po) sur le devant et au moins 152 mm (6 po) au-dessus de chaque côté de la face arrière du poêle. L'espace devant le poêle doit être d'au moins 100 mm (4 po) de la surface arrière du poêle. L'espace devant le poêle doit être d'au moins 17" (430 mm) du côté et 2" (51 mm) du dos du poêle par rapport aux combustibles. Le tuyau de ventilation doit être d'au moins 76 mm (3 po) de tout mur. La hauteur libre devant le poêle doit être d'au moins 100 mm (4 po) de tout mur. Distance minimale du plancher au plafond : 2' 134 mm (64 po).

Si l'état prévu que le poêle sera installé sur un plancher combustible, le plancher doit être protégé par des planches de base non isolées. Pour plus d'informations sur les protections de planchers, voir le manuel.

DATE OF MANUFACTURE / DATE DE FABRICATION	2024	2023	2022	2021	2020	2019	2018	2017	2016	2015	2014	2013	2012	2011	2010	2009	2008	2007	2006	2005	2004		
PS60W																							
PS130W																							
PSBF66W																							

DATE OF MANUFACTURE / DATE DE FABRICATION	2024	2023	2022	2021	2020	2019	2018	2017	2016	2015	2014	2013	2012	2011	2010	2009	2008	2007	2006	2005	2004		
PS60W																							
PS130W																							
PSBF66W																							

U.S. ENVIRONMENTAL PROTECTION AGENCY
 Certified to comply with CO2 particulate emission standards using pellet fuel.

U.S. ENVIRONMENTAL PROTECTION AGENCY
 Certified to comply with CO2 particulate emission standards using pellet fuel.

U.S. ENVIRONMENTAL PROTECTION AGENCY
 Certified to comply with CO2 particulate emission standards using pellet fuel.

Technical Requirements

- Refer to the title block for all unspecified dimensional tolerances.
- For color requirements refer to the provided electronic data.
- The same batch must have color uniformity throughout.
- The label must have clear fonts, be free of curling, missing marks, chromatic aberration, and flow marks.
- Material: Etched Metal
- Background: Silver Metal; Text: Black

UNLESS OTHERWISE SPECIFIED:		NAME	DATE
DIMENSIONS ARE IN INCHES		CRM	2019.02.05
TOLERANCES:			
TWO PLACE DECIMAL: ± .030			
THREE PLACE DECIMAL: ± .005			
HOLES: ± .004			
ANGULAR: ± 1 DEG.			
FRACTIONAL DIMENSIONS: ± 1/64			
INTERPRET GEOMETRIC TOLERANCING PER: N/A	PROPRIETARY AND CONFIDENTIAL THE INFORMATION CONTAINED IN THIS DRAWING IS THE SOLE PROPERTY OF ENERCO GROUP, INC. ANY REPRODUCTION IN PART OR AS A WHOLE WITHOUT THE WRITTEN PERMISSION OF ENERCO GROUP, INC. IS PROHIBITED.		
MATERIAL	SEE NOTES		
FINISH	SEE NOTES		
DO NOT SCALE DRAWING			

EGi enerco group inc.

Mr Heater HEATSTAR ENERCO FLEX-TECH

TITLE:			
LABEL, RATE, PELLET STOVES			
SIZE: A4	DWG.NO.	66681	REV
			G
SCALE: N/A	WEIGHT: N/A	SHEET 1 OF 1	

Model No / N° de modèle :

- PS60W
- PS130W
- PSBF66W

DATE OF MANUFACTURE / DATE DE FABRICATION



CAUTION: HOT WHILE IN OPERATION. DO NOT TOUCH. KEEP CHILDREN, CLOTHING, AND FURNITURE AWAY. CONTACT MAY CAUSE SKIN BURNS. SEE NAMEPLATE AND INSTRUCTIONS.

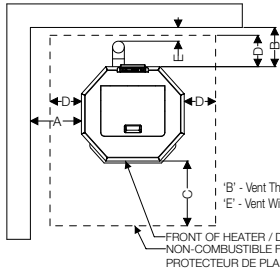


ATTENTION : BRÛLANT DURANT LE FONCTIONNEMENT. NE PAS TOUCHER. GARDER LES ENFANTS, LES VÊTEMENTS ET L'AMEUBLEMENT ÉLOIGNÉS. LE CONTACT POURRAIT CAUSER DES BRÛLURES. VOIR LA FICHE SIGNALÉTIQUE ET LES INSTRUCTIONS.

MINIMUM CLEARANCES TO COMBUSTIBLES

When installed on a combustible floor, non-combustible floor protection is required to cover the area beneath the heater and extend at least 18" (457 mm) to the front and at least 8" (203 mm) beyond each side of the room heater. The room heater shall not be less than 13" (330 mm) from the side and 2" (51 mm) from the rear to combustible materials. The vent pipe must be at least 3" (76 mm) from any wall. Minimum floor-to-ceiling distance 84" (2134 mm).

If the stove is to be installed on combustible flooring, the floor must be protected with non-insulated ember board. See manual for additional information on floor protection.



'B' - Vent Through Rear Wall / Évén à travers le mur arrière
 'E' - Vent With Vertical Vent Pipe / Évén avec tuyau d'évén vertical
 FRONT OF HEATER / DEVANT DU POËLE
 NON-COMBUSTIBLE FLOOR PROTECTION /
 PROTECTEUR DE PLANCHER NON COMBUSTIBLE

	U.S.A.	CANADA
A	13" (330 mm)	13" (330 mm)
B	2" (51 mm)	2" (51 mm)
C	18" (457 mm)	18" (457 mm)
D	8" (203 mm)	8" (203 mm)
E	3" (76 mm)	3" (76 mm)

DÉGAGEMENTS MINIMAUX DE MATIÈRES COMBUSTIBLES

Pour installation sur un plancher combustible, une protection non combustible doit être placée sous le poêle en dépassant d'au-moins 457 mm (18 po) sur le devant et d'au moins 203 mm (8 po) sur les trois autres côtés de l'unité. L'unité devra être placée à non moins de 51 mm (2 po) du mur arrière et devra avoir au moins 330 mm (13 po) de dégagement sur les côtés. Le tuyau d'évén devra être dégagé d'au moins 76 mm (3 po) de tout mur. Distance minimale du plancher au plafond : 2 134 mm (84 po).

S'il est prévu que le poêle sera installé sur un plancher combustible, le plancher doit être protégé par planche de braise non isolée. Pour plus d'information sur les protecteurs de planchers, voir le manuel.

**SERIAL NUMBER
NUMÉRO DE SÉRIE**

- Use a 3" (80 mm) diameter type 'L' or 'PL' venting system approved for solid fuels.
- **CAUTION:** Special methods are required when passing chimney through a wall or ceiling. Refer to manufacturer's instructions and local building codes.
- Inspect and Clean Exhaust Venting System Frequently.
- Install and Use Only in Accordance With Enerco Group, Inc.'s Installation and Operating Instructions.
- Contact Local Building or Fire Officials About Restrictions and Installation Inspection in Your Area.
- For Use With Wood Pellet Fuel Only.
- Do Not Connect This Unit to a Chimney Fuel Serving Another Appliance.
- Keep Viewing and Ash Removal Doors Tightly Closed During Operation.
- Room Heater, Pellet Fuel-Burning Type. Also Suitable For Use In Mobile Homes.

- To replace blower assembly, first unplug the unit, and then remove the rear and side panels as needed and disconnect blower assembly via the screws connecting it to the heater. Remove wiring connections. Replace with new blower assembly and repeat the above steps in reverse order.
- This heater is designed to burn only high quality wood pellets with a density of 700 kg/m³ and a water content of at least 8% of the weight of the pellets. Never use gasoline, gasoline-type lantern fuel, kerosene, charcoal lighter fluid, or similar liquids to start or 'freshen up' a fire in this heater. Keep all such liquids well away from the heater while it is in use. See manual for additional specifications for acceptable wood pellets.
- To be installed as a freestanding space heater with the clearances in the manufacturer's installation instructions. Not to be installed in any fireplace.
- Replace glass window with ceramic single-pane glass.
- U.S. ENVIRONMENTAL PROTECTION AGENCY Certified to comply with 2020 particulate emission standards using pellet fuel.

- This wood heater needs periodic inspection and repair for proper operation. Consult the owner's manual for further information. It is against federal regulations to operate this wood heater in a manner inconsistent with the operating instructions in the owner's manual.

For Mobile Homes

- Do not obstruct combustion air openings.
- OPERATE ONLY WITH DOORS CLOSED.
- Must supply fresh air from outside mobile home via air inlet connection on the back of the heater.
- This product may be covered by one or more US or international patents or pending patent applications in the US and other countries. Please visit www.enercogroupinc.com/patents for more information.

- Utiliser un tuyau d'évén de type L ou PL de 80 mm (3 po) de diamètre approuvé pour poêles à combustible solide.
- **ATTENTION :** Un montage différent doit être réalisé pour une installation de cheminée à travers un mur ou un toit. Se référer aux directives du fabricant et au code de la construction local.
- Inspecter et nettoyer le système d'évén de sortie fréquemment.
- Installer et utiliser seulement selon le Guide d'installation et de fonctionnement de Enerco Group Inc.
- Contacter les autorités du code de la construction ou le service d'incendie pour connaître les restrictions et les inspections d'approbation dans votre région.
- Pour utilisation avec granulés de bois seulement.
- Ne pas raccorder cette unité à une cheminée connectée à un autre appareil.
- Durant le fonctionnement, garder la porte de visionnement et la porte de retrait des cendres bien fermées. Poêle de type à granulés de bois. Adéquat pour utilisation dans les maisons mobiles.

- À installer comme appareil de chauffage autonome avec les dégagements indiqués dans les instructions d'installation du fabricant. Ne doit pas être installé dans une cheminée.
- Remplacer la fenêtre vitrée par du verre de céramique à vitrage unique.

MODÈLE	TAUX DE CONSOMMATION (kg/h)			ÉMISSION DE PARTICULES (g/h)
	HIGH	MED	LOW	
PS60W	1.98	0.92	0.72	1.3
PS130W	2.19	1.28	0.90	1.6
PSBF66W	2.12	1.07	0.79	1.1

Information électrique

- Tension : 120 V.c.a.
- Fréquence : 60 Hz
- Placer le cordon d'alimentation hors de nœud derrière en s'éloignant de l'unité. Ne pas laisser le cordon toucher toute pièce chaude.
- Avant de nettoyer le ventilateur, couper l'alimentation de l'unité. Retirer ensuite le panneau arrière et à l'aide d'un aspirateur, nettoyer toute accumulation de poussière sur les pales du ventilateur et à l'intérieur de la canalisation.
- **ATTENTION :** Les pièces mobiles peuvent causer des blessures. Ne pas faire fonctionner l'unité avec ses panneaux d'encante retirés.
- **ATTENTION :** Pièces chaudes. Ne pas faire fonctionner l'unité avec des pièces retirées.
- **DANGER :** Potentiel de choc électrique. Couper l'alimentation avant d'entretenir l'unité.

- Courant : 3,3 A
- Phase : 1 Ø

- Pour remplacer l'ensemble ventilateur, débrancher en premier l'unité et puis déposer le panneau arrière et, au besoin, les panneaux latéraux et dévisser l'assemblage ventilateur. Débrancher les fils raccordés. Remplacer le ventilateur par un neuf et inverser la procédure ci-dessus.
- Ce poêle est conçu pour consommer seulement des granulés de bois de qualité élevée, d'une densité de 700 kg/m³ comprenant un taux d'humidité maximal de 8 %. Ne jamais utiliser de liquide d'allumage de charbon, de kérosène, d'huile à lampe ou d'essence pour allumer ou ré-activer le feu dans cette unité. Garder toutes ces substances bien à l'écart du poêle lors de son fonctionnement. Pour d'autres spécifications de granulés de bois acceptables, se référer au manuel.
- À installer comme appareil de chauffage autonome avec les dégagements indiqués dans les instructions d'installation du fabricant. Ne doit pas être installé dans une cheminée.
- Remplacer la fenêtre vitrée par du verre de céramique à vitrage unique.
- Homologué conforme aux normes d'émission de particules de 2020 stipulées par U.S. ENVIRONMENTAL PROTECTION AGENCY, lors de l'utilisation de granulés de bois de qualité. Pour un bon rendement de fonctionnement ce poêle à granulés de bois nécessite un entretien périodique. Pour plus d'information, consulter le Guide du propriétaire. Toute opération ne respectant pas les directives du Guide du propriétaire contrevient à la réglementation fédérale.

Pour maisons mobiles

- Ne pas obstruer les ouvertures d'air de combustion.
- NE FAIRE FONCTIONNER QU'AVEC LES PORTES DE L'UNITÉ FERMÉES.
- De l'air frais de l'extérieur de la maison mobile doit être alimenté par la prise d'air à l'arrière de l'unité.

- Ce produit peut être couvert par un ou plusieurs brevets américains ou internationaux ou en instance de brevet aux États-Unis ou dans s' d'autres pays. Pour plus d'information, veuillez visiter

www.enercogroupinc.com/patents
 Reportez-vous au répertoire des produits de construction d'Intertek (<https://bpdirectory.intertek.com>) pour obtenir des informations détaillées.

Brevet Américain en Instance

Electrical Information

- Voltage: 120 VAC
- Frequency: 60 Hz
- Route power cord away behind and away from the unit. Do not allow the power cord to touch any hot components.

- Current: 3.3 A
- Phase: Single Ø
- To clean blower assembly, first disconnect power to the unit. Then remove the rear panel and use a vacuum cleaner to remove any dust accumulation on the blower's blades or inside the blower duct.
- **CAUTION:** Moving Parts May Cause Injury. Do Not Operate Unit With Any Covers Removed.
- **CAUTION:** Hot Parts. Do Not Operate Unit With Any Components Removed.
- **DANGER:** Risk of Electric Shock. Disconnect Power Before Servicing Unit.

- ASTM E2515-2017 Standard Test Method for Determination of Particulate Matter Emissions Collected by a Dilution Tunnel
- ASTM E2779-2017 Standard Test Method for Determining Particulate Matter Emissions from Pellet Heaters
- CSA B415.1-22 Performance Testing of Solid-Fuel-Burning Heating Appliances
- EPA ALT-146 Medium Burn Rate Calculation
- ASTM E1509-22 Standard Specication for Room Heaters, Pellet Fuel-Burning Type
- CANULC-S627-2023 Standard For Space Heaters For Use With Solid Fuels. Also Suitable For Use In Mobile Homes

Refer to the Intertek Directory of Building Products (<https://bpdirectory.intertek.com>) for detailed information.



Report Number: F23-240

US Patent Pending

Cleveland Ironworks, a subsidiary of Enerco Group, Inc. | 4560 W160th Street, Cleveland, Ohio 44135 | 1-800-251-0001
 Made in China

- ASTM E2515-2017
- ASTM E2779-2017
- CSA B415.1-22
- EPA ALT-146
- ASTM E1509-22
- CANULC-S627-2023

Méthode d'essai standard pour la détermination des émissions de particules collectées par un tunnel de dilution
 Méthode d'essai standard pour déterminer les émissions de particules des appareils de chauffage à granulés
 Essais de performance d'appareils de chauffage consommant un carburant solide
 Calcul du taux de combustion moyen
 Spécification standard pour les appareils de chauffage, type à granulés de bois
 Norme pour les appareils de chauffage à utiliser avec des combustibles solides. Convient également pour une utilisation dans les maisons mobiles

Reportez-vous au répertoire des produits de construction d'Intertek (<https://bpdirectory.intertek.com>) pour obtenir des informations détaillées.

Cleveland Ironworks, a filiale de Enerco Group, Inc. | 4560 W160th Street, Cleveland, Ohio 44135 | 1-800-251-0001
 Fabriqué en Chine 66881 REV.G

REV	DESCRIPTION OF CHANGE	DATE	CHANGED BY
A	NEW RELEASE	2021.12.17	CZ
B	CHANGED 800# & UPDATED TECH REQUIREMENTS	2022.03.18	CZ
C	Changed from "Type 2" to "non-insulated" ember board	2023.02.21	CZ
D	Updated to PFS & New Standards	2024.01.15	CZ

F500202	H80XL
F500207	H140XL
F500212	H3W80XL

USED ON

171.5 mm

190.5 mm

Metric No. / N° de modèle:
 H80XL
 H140XL
 H3W80XL

DATE OF MANUFACTURE / DATE DE FABRICATION

CAUTION: HOT WHILE IN OPERATION. DO NOT TOUCH. KEEP CHILDREN, CLOTHING, AND FURNITURE AWAY. CONTACT MAY CAUSE SKIN BURNS. SEE NAMEPLATE AND INSTRUCTIONS.

ATTENTION: BRÛLANT DURANT LE FONCTIONNEMENT. NE PAS TOUCHER. GARDER LES ENFANTS, LES VÊTEMENTS ET L'AMEUBLEMENT ÉLOIGNÉS. LE CONTACT POURRAIT CAUSER DES BRÛLURES. VOIR LA FICHE SIGNALÉTIQUE ET LES INSTRUCTIONS.

MINIMUM CLEARANCES TO COMBUSTIBLES
 When installed on a combustible floor, non-combustible floor protection is required to cover the area beneath the heater and extend at least 18" (457 mm) to the front and at least 2" (50.8 mm) beyond each side of the room heater. The room heater shall not be less than 12" (305 mm) from the side and 27" (686 mm) from the rear to combustible materials. The vent pipe must be at least 3" (76 mm) from any wall. Minimum floor-to-calling distance for 2" (51 mm).
 If the stove is to be installed on combustible flooring, the floor must be protected with non-insulated amber board. See manual for additional information on floor protection.

DÉGAGEMENTS MINIMAUX DE MATIÈRES COMBUSTIBLES
 Pour installation sur un plancher combustible, une protection non combustible doit être installée sous le poêle et s'étendre d'au moins 457 mm devant et d'au moins 51 mm de chaque côté de la pièce du poêle. L'unité devra être placée à non moins de 305 mm des parois latérales et de 686 mm de la paroi arrière. L'évacuation devra être éloignée d'au moins 76 mm (3 po) de tout obstacle. La hauteur du poêle au-dessus du plancher doit être au moins de 51 mm (2 po). La distance minimum de la conduite de l'évacuation à la paroi latérale doit être d'au moins 51 mm (2 po).
 Si un poêle est prévu que le poêle sera installé sur un plancher combustible, le plancher doit être protégé par une plaque de protection non isolée. Pour plus d'informations sur les protections de planchers, voir le manuel.

MINIUM PARTS LIST

QTY	PART NO.	DESCRIPTION	QTY	PART NO.	DESCRIPTION
1	15500010	ASSEMBLY	1	15500010	ASSEMBLY
1	15500020	ASSEMBLY	1	15500020	ASSEMBLY
1	15500030	ASSEMBLY	1	15500030	ASSEMBLY
1	15500040	ASSEMBLY	1	15500040	ASSEMBLY
1	15500050	ASSEMBLY	1	15500050	ASSEMBLY
1	15500060	ASSEMBLY	1	15500060	ASSEMBLY
1	15500070	ASSEMBLY	1	15500070	ASSEMBLY
1	15500080	ASSEMBLY	1	15500080	ASSEMBLY
1	15500090	ASSEMBLY	1	15500090	ASSEMBLY
1	15500100	ASSEMBLY	1	15500100	ASSEMBLY
1	15500110	ASSEMBLY	1	15500110	ASSEMBLY
1	15500120	ASSEMBLY	1	15500120	ASSEMBLY
1	15500130	ASSEMBLY	1	15500130	ASSEMBLY
1	15500140	ASSEMBLY	1	15500140	ASSEMBLY
1	15500150	ASSEMBLY	1	15500150	ASSEMBLY
1	15500160	ASSEMBLY	1	15500160	ASSEMBLY
1	15500170	ASSEMBLY	1	15500170	ASSEMBLY
1	15500180	ASSEMBLY	1	15500180	ASSEMBLY
1	15500190	ASSEMBLY	1	15500190	ASSEMBLY
1	15500200	ASSEMBLY	1	15500200	ASSEMBLY
1	15500210	ASSEMBLY	1	15500210	ASSEMBLY
1	15500220	ASSEMBLY	1	15500220	ASSEMBLY
1	15500230	ASSEMBLY	1	15500230	ASSEMBLY
1	15500240	ASSEMBLY	1	15500240	ASSEMBLY
1	15500250	ASSEMBLY	1	15500250	ASSEMBLY
1	15500260	ASSEMBLY	1	15500260	ASSEMBLY
1	15500270	ASSEMBLY	1	15500270	ASSEMBLY
1	15500280	ASSEMBLY	1	15500280	ASSEMBLY
1	15500290	ASSEMBLY	1	15500290	ASSEMBLY
1	15500300	ASSEMBLY	1	15500300	ASSEMBLY
1	15500310	ASSEMBLY	1	15500310	ASSEMBLY
1	15500320	ASSEMBLY	1	15500320	ASSEMBLY
1	15500330	ASSEMBLY	1	15500330	ASSEMBLY
1	15500340	ASSEMBLY	1	15500340	ASSEMBLY
1	15500350	ASSEMBLY	1	15500350	ASSEMBLY
1	15500360	ASSEMBLY	1	15500360	ASSEMBLY
1	15500370	ASSEMBLY	1	15500370	ASSEMBLY
1	15500380	ASSEMBLY	1	15500380	ASSEMBLY
1	15500390	ASSEMBLY	1	15500390	ASSEMBLY
1	15500400	ASSEMBLY	1	15500400	ASSEMBLY

SERIAL NUMBER
NUMÉRO DE SÉRIE

U.S. ENVIRONMENTAL PROTECTION AGENCY
Certified to comply with 2000 particulate emission standards using pellet fuel

Technical Requirements

- Refer to the title block for all unspecified dimensional tolerances.
- For color requirements refer to the provided electronic data.
- The same batch must have color uniformity throughout.
- The label must have clear fonts, be free of curling, missing marks, chromatic aberration, and flow marks.
- Fire Caution Symbol: Red
- Background: White
- Text: Black
- Dimensions: 190.5 mm H x 171.5 mm W
- Product: FLEXcon® DPM® PWS
- Liner Material: Gloss white polyester
- Liner: 6.9 mil +/-10%
- Adhesive: Pressure-Sensitive Acrylic
- Adhesive Thickness: 0.9 - 1.0 mil
- Film Thickness: 2 mil +/-10%
- UL Recognized under UL 969 - UL File No. PGGU2.MH10170
- Marking and Labeling System Materials - Component
- CSA accepted under CSA File No. 99214

Technical Requirements

- Refer to the title block for all unspecified dimensional tolerances.
- For color requirements refer to the provided electronic data.
- The same batch must have color uniformity throughout.
- The label must have clear fonts, be free of curling, missing marks, chromatic aberration, and flow marks.
- Fire Caution Symbol: Red
- Background: White
- Text: Black
- Dimensions: 190.5 mm H x 171.5 mm W
- Product: FLEXcon® DPM® PWS
- Liner Material: Gloss white polyester
- Liner: 6.9 mil +/-10%
- Adhesive: Pressure-Sensitive Acrylic
- Adhesive Thickness: 0.9 - 1.0 mil
- Film Thickness: 2 mil +/-10%
- UL Recognized under UL 969 - UL File No. PGGU2.MH10170
- Marking and Labeling System Materials - Component
- CSA accepted under CSA File No. 99214

UNLESS OTHERWISE SPECIFIED: DIMENSIONS ARE IN INCHES TOLERANCES: TWO PLACE DECIMAL: ± .030 THREE PLACE DECIMAL: ± .005 HOLES: ± .004 ANGULAR: ± 1 DEG. FRACTIONAL DIMENSIONS: ± 1/64		NAME CZ	DATE 2021.12.17
INTERPRET GEOMETRIC TOLERANCING PER: N/A	MATERIAL SEE NOTES	PROPRIETARY AND CONFIDENTIAL THE INFORMATION CONTAINED IN THIS DRAWING IS THE SOLE PROPERTY OF ENERCO GROUP, INC. ANY REPRODUCTION IN PART OR AS A WHOLE WITHOUT THE WRITTEN PERMISSION OF ENERCO GROUP, INC. IS PROHIBITED.	
FINISH		TITLE: LABEL, RATE, PELLET STOVES, MASTER FORGE	
DO NOT SCALE DRAWING		SIZE: A4	DWG. NO. 66731
		REV	D
		SCALE: N/A	WEIGHT: N/A
		SHEET 1 OF 1	



- H80XL
- H140XL
- H3W80XL

2024	2025	2026	JAN	FEB	MAR	APR	MAY	JUN	JUL	AUG	SEP	OCT	NOV	DEC
2024	2025	2026	JANV	FÉV	MAR	AVR	MAI	JUIN	JUIL	AOÛT	SEPT	OCT	NOV	DÉC



CAUTION: HOT WHILE IN OPERATION. DO NOT TOUCH. KEEP CHILDREN, CLOTHING, AND FURNITURE AWAY. CONTACT MAY CAUSE SKIN BURNS. SEE NAMEPLATE AND INSTRUCTIONS.

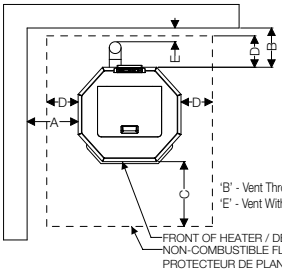


ATTENTION : BRÛLANT DURANT LE FONCTIONNEMENT. NE PAS TOUCHER. GARDER LES ENFANTS, LES VÊTEMENTS ET L'AMEUBLEMENT ÉLOIGNÉS. LE CONTACT POURRAIT CAUSER DES BRÛLURES. VOIR LA FICHE SIGNALÉTIQUE ET LES INSTRUCTIONS.

MINIMUM CLEARANCES TO COMBUSTIBLES

When installed on a combustible floor, non-combustible floor protection is required to cover the area beneath the heater and extend at least 18" (457 mm) to the front and at least 8" (203 mm) beyond each side of the room heater. The room heater shall not be less than 13" (330 mm) from the side and 2" (51 mm) from the rear to combustible materials. The vent pipe must be at least 3" (76 mm) from any wall. Minimum floor-to-ceiling distance 84" (2134 mm).

If the stove is to be installed on combustible flooring, the floor must be protected with non-insulated ember board. See manual for additional information on floor protection.



DÉGAGEMENTS MINIMAUX DE MATIÈRES COMBUSTIBLES

Pour installation sur un plancher combustible, une protection non combustible doit être placée sous le poêle en dépassant d'au-moins 457 mm (18 po) sur le devant et d'au moins 203 mm (8 po) sur les trois autres côtés de l'unité. L'unité devra être placée à non moins de 51 mm (2 po) du mur arrière et devra avoir au moins 330 mm (13 po) de dégagement sur ses côtés. Le tuyau d'évent devra être dégagé d'au moins 76 mm (3 po) de tout mur. Distance minimale du plancher au plafond : 2 134 mm (84 po).

S'il est prévu que le poêle sera installé sur un plancher combustible, le plancher doit être protégé par planche de braise non isolée. Pour plus d'information sur les protecteurs de planchers, voir le manuel.

	U.S.A.	CANADA	ÉTATS-UNIS	CANADA
A	13" (330 mm)	13" (330 mm)	13 po (330 mm)	13 po (330 mm)
B	2" (51 mm)	2" (51 mm)	2 po (51 mm)	2 po (51 mm)
C	18" (457 mm)	18" (457 mm)	18 po (457 mm)	18 po (457 mm)
D	8" (203 mm)	8" (203 mm)	8 po (203 mm)	8 po (203 mm)
E	3" (76 mm)	3" (76 mm)	3 po (76 mm)	3 po (76 mm)

**SERIAL NUMBER
NUMÉRO DE SÉRIE**

- Use a 3" (80 mm) diameter type 'L' or 'PL' venting system approved for solid fuels.
- **CAUTION:** Special methods are required when passing chimney through a wall or ceiling. Refer to manufacturer's instructions and local building codes.
- Inspect and Clean Exhaust Venting System Frequently.
- Install and Use Only in Accordance With Enerco Group, Inc.'s Installation and Operating Instructions.
- Contact Local Building or Fire Officials About Restrictions and Installation Instructions in Your Area.
- For Use With Wood Pellet Fuel Only.
- Do Not Connect This Unit to a Chimney Fuel Serving Another Appliance.
- Keep Viewing and Ash Removal Doors Tightly Closed During Operation.
- Room Heater, Pellet Fuel-Burning Type. Also Suitable For Use in Mobile Homes.

- To replace blower assembly, first unplug the unit, and then remove the rear and side panels as needed and disconnect blower assembly via the screws connecting it to the heater. Remove wiring connections. Replace with new blower assembly and repeat the above steps in reverse order.
- This heater is designed to burn only high quality wood pellets with a density of 700 kg/m³ and a water content of at least 8% of the weight of the pellets. Never use gasoline, gasoline-type lantern fuel, kerosene, charcoal lighter fluid, or similar liquids to start or 'freshen up' a fire in this heater. Keep all such liquids well away from the heater while it is in use. See manual for additional specifications for acceptable wood pellets.
- To be installed as a freestanding space heater with the clearances in the manufacturer's installation instructions. Not to be installed in any fireplace.
- Replace glass window with ceramic single-pane glass.
- U.S. ENVIRONMENTAL PROTECTION AGENCY Certified to comply with 2020 particulate emission standards using pellet fuel.
- This wood heater needs periodic inspection and repair for proper operation. Consult the owner's manual for further information. It is against federal regulations to operate this wood heater in a manner inconsistent with the operating instructions in the owner's manual.

- Utiliser un tuyau d'évent de type L ou PL de 80 mm (3 po) de diamètre approuvé pour poêle à combustible solide.
- **ATTENTION :** Un montage différent doit être réalisé pour une installation de cheminée à travers un mur ou un toit. Se référer aux directives du fabricant et au code de la construction local.
- Inspecter et nettoyer le système d'évent de sortie fréquemment.
- Installer et utiliser seulement selon le Guide d'installation et de fonctionnement de Enerco Group Inc.
- Contacter les autorités du code de la construction ou le service d'incendie pour connaître les restrictions et les inspections d'approbation dans votre région.
- Pour utilisation avec granulés de bois seulement.
- Ne pas raccorder cette unité à une cheminée connectée à un autre appareil.
- Durant le fonctionnement, garder la porte de visionnement et la porte de retrait des cendres bien fermées. Poêle de type à granulés de bois. Adéquat pour utilisation dans les maisons mobiles.

- Pour remplacer l'ensemble ventilateur, débrancher en premier l'unité et puis déposer le panneau arrière et, au besoin, les panneaux latéraux et dévisser l'assemblage ventilateur. Débrancher les fils raccordés. Remplacer le ventilateur par un neuf et inverser la procédure ci-dessus.
- Ce poêle est conçu pour consommer seulement des granulés de bois de qualité élevée, d'une densité de 700 kg/m³ comprenant un taux d'humidité maximal de 8 %. Ne jamais utiliser de liquide d'allumage de charbon, de kérosène, d'huile à lampe ou d'essence pour allumer ou ré-activer le feu dans cette unité. Garder toutes ces substances bien à l'écart du poêle lors de son fonctionnement. Pour d'autres spécifications de granulés de bois acceptables, se référer au manuel.
- À installer comme appareil de chauffage autonome avec les dégagements indiqués dans les instructions d'installation du fabricant. Ne doit pas être installé dans une cheminée.
- Remplacer la fenêtre vitrée par du verre de céramique à vitrage unique.
- Homologué conforme aux normes d'émission de particules de 2020 stipulées par U.S. ENVIRONMENTAL PROTECTION AGENCY, lors de l'utilisation de granulés de bois de qualité.
- Pour un bon rendement de fonctionnement ce poêle à granulés de bois nécessite un entretien périodique. Toute opération ne respectant pas les directives du Guide du propriétaire contrevient à la réglementation fédérale.

MODEL	BURN RATE (kg/hr) (dry)			PARTICULATE EMISSIONS (g/hr)
	HIGH	MED	LOW	
H80XL	1.98	0.92	0.72	1.3
H140XL	2.19	1.28	0.90	1.6
H3W80XL	2.12	1.07	0.79	1.1

MODÈLE	TAUX DE CONSOMMATION (kg/h)			ÉMISSION DE PARTICULES (g/h)
	ÉLEVÉ	MOYEN	BAS	
H80XL	1.98	0.92	0.72	1.3
H140XL	2.19	1.28	0.90	1.6
H3W80XL	2.12	1.07	0.79	1.1

- **Electrical Information**
- Voltage: 120 VAC
- Frequency: 60 Hz
- Room power cord away behind and away from the unit. Do not allow the power cord to touch any hot components.
- To clean blower assembly, first disconnect power to the unit. Then remove the rear panel and use a vacuum cleaner to remove any dust accumulation on the blower's blades or inside the blower duct.
- **CAUTION:** Moving Parts May Cause Injury. Do Not Operate Unit With Any Covers Removed.
- **CAUTION:** Hot Parts. Do Not Operate Unit With Any Components Removed.
- **DANGER:** Risk of Electric Shock. Disconnect Power Before Servicing Unit.

- Current: 3.3 A
- Phase: Single Ø
- For Mobile Homes
- Do not obstruct combustion air openings.
- OPERATE ONLY WITH DOORS CLOSED.
- Must supply fresh air from outside mobile home via air inlet connection on the back of the heater.
- This product may be covered by one or more US or international patents or pending patent applications in the US and other countries. Please visit www.enercogroupinc.com/patents for more information.

- **Information électrique**
- Tension : 120 Vc.a.
- Fréquence : 60 Hz
- Placer le cordon d'alimentation hors de nuire derrière en s'éloignant de l'unité. Ne pas laisser le cordon toucher toute pièce chaude.
- Avant de nettoyer le ventilateur, couper l'alimentation de l'unité. Retirer ensuite le panneau arrière et à l'aide d'un aspirateur, nettoyer toute accumulation de poussière sur les pales du ventilateur et à l'intérieur de la canalisation.
- **ATTENTION :** Les pièces mobiles peuvent causer des blessures. Ne pas faire fonctionner l'unité avec des pièces retirées.
- **ATTENTION :** Pièces chaudes. Ne pas faire fonctionner l'unité avec des pièces retirées.
- **DANGER :** Potentiel de choc électrique. Couper l'alimentation avant d'entretenir l'unité.

- Pour préparer contrevient à la réglementation fédérale.
- **Pour matériaux mobiles**
- Ne pas obstruer les ouvertures d'air de combustion.
- NE FAIRE FONCTIONNER QU'AVEC LES PORTES DE L'UNITÉ FERMÉES.
- De l'air frais de l'extérieur de la maison mobile doit être alimenté par la prise d'air à l'arrière de l'unité.
- Ce produit peut être couvert par un ou plusieurs brevets américains ou internationaux ou en instance de brevet aux États-Unis ou dans s'autres pays. Pour plus d'information, veuillez visiter www.enercogroupinc.com/patents
- Reportez-vous au répertoire des produits de construction d'Intertek (<https://pdirectory.intertek.com>) pour obtenir des informations détaillées.

ASTM E2515-2017 Standard Test Method for Determination of Particulate Matter Emissions Collected by a Dilution Tunnel
 ASTM E2779-2017 Standard Test Method for Determining Particulate Matter Emissions from Pellet Heaters
 CSA B415.1-22 Performance Testing of Solid-Fuel-Burning Heating Appliances
 EPA ALT-146 Medium Burn Rate Calculation
 ASTM E1509-22 Standard Spec. cation for Room Heaters, Pellet Fuel-Burning Type
 CANULC-S627-2023 Standard For Space Heaters For Use With Solid Fuels. Also Suitable For Use in Mobile Homes



ASTM E2515-2017 Méthode d'essai standard pour la détermination des émissions de particules collectées par un tunnel de dilution
 ASTM E2779-2017 Méthode d'essai standard pour déterminer les émissions de particules des appareils de chauffage à granulés
 CSA B415.1-22 Essais de performance d'appareils de chauffage consommant un carburant solide
 EPA ALT-146 Calcul du taux de combustion moyen
 ASTM E1509-22 Spécification standard pour les appareils de chauffage, type à granulés de bois
 Norme pour les appareils de chauffage à utiliser avec des combustibles solides. Convient également pour une utilisation dans les maisons mobiles

REV	DESCRIPTION OF CHANGE	DATE	CHANGED BY
A	NEW RELEASE	2024.01.12	CZ
B	Updated to PFS & New Standards	2024.01.15	CZ

F500805	C60W
F500800	C130W
F500810	CBF66W

USED ON

171.5 mm

190.5 mm

Modèle / No. / N° de modèle :

- C60W
- C130W
- CBF66W

CAUTION: HOT WHILE IN OPERATION. DO NOT TOUCH. KEEP CHILDREN, CLOTHING, AND FURNITURE AWAY. CONTACT MAY CAUSE SKIN BURNS. SEE NAMEPLATE AND INSTRUCTIONS.

ATTENTION : BRÛLANT DURANT LE FONCTIONNEMENT. NE PAS TOUCHER. GARDER LES ENFANTS, LES VÊTEMENTS ET L'MEUBLEMENT ÉLOIGNÉS. LE CONTACT POURRAIT CAUSER DES BRÛLURES. VOIR LA FICHE SIGNALÉTIQUE ET LES INSTRUCTIONS.

MINIMUM CLEARANCES TO COMBUSTIBLES
When installed on a combustible floor, non-combustible floor protection is required to cover the area between the heater and extend at least 18" (457 mm) to the front and at least 2" (51 mm) beyond each side of the room heater. The room heater shall not be less than 2" (51 mm) from the side and 2" (51 mm) from the rear by non-combustible materials. The vent pipe must be at least 3" (76 mm) from any wall. Minimum floor-to-ceiling distance for 2" (51 mm).

If the above is to be installed on combustible flooring, the floor must be protected with non-insulated amber boards. See manual for additional information on floor protection.

DÉGAGEMENTS MINIMAUX DE MATIÈRES COMBUSTIBLES
Pour installation sur un plancher combustible, une protection non-combustible doit être placée sous le poêle et s'étendre de 457 mm devant et de 51 mm sur les côtés de la rampe. L'unité devra être placée à non moins de 51 mm (2 po) du mur arrière et devra avoir au moins 51 mm (2 po) de dégagement de matériau. Le tuyau d'évacuation doit être dégagé d'au moins 76 mm (3 po) de tout obstacle matériel du plancher au plafond à 2,54 m (8 pi).

Il est prévu que le poêle sera installé sur un plancher combustible, le plancher doit être protégé par des planches de couleur non isolées. Pour plus d'information sur les protections de planchers, voir le manuel.

DATE OF MANUFACTURE / DATE DE FABRICATION

JAN	FEB	MAR	APR	MAY	JUN	JUL	AUG	SEPT	OCT	NOV	DEC
2024	2025	2026	2026	2026	2026	2026	2026	2026	2026	2026	2026

SERIAL NUMBER / NUMÉRO DE SÉRIE

TYPE	MODEL	DATE OF MANUFACTURE	DATE DE FABRICATION
C60W	C130W	CBF66W	C60W
C60W	C130W	CBF66W	C60W
C60W	C130W	CBF66W	C60W
C60W	C130W	CBF66W	C60W

Use a 3" (80 mm) diameter type 'L' or 'PL' venting system approved for solid fuels.

CAUTION: Special methods are required when passing chimney through a wall or ceiling. Refer to manufacturer's instructions and local building codes.

Inspect and Clean Exhaust Venting System Frequently and Use Only in Accordance With Enerco Group, Inc.'s Installation and Operating Instructions.

• Contact Local Building or Fire Officials About Restrictions and Installation Inspection in Your Area.

• For Use With Wood Pellet Fuel Only.

• Do Not Connect This Unit to a Chimney Fuel Burning Another Appliance.

• Keep Viewing and Ash Removal Doors Tightly Closed During Operation.

• Room Heater. Pellet Fuel Burning Type. Also Suitable for Use in Mobile Homes.

Technical Information

Model	Heating Capacity (kW)	Particulate Matter (g/h)
C60W	1.6	1.2
C130W	3.2	2.4
CBF66W	3.2	2.4

• Voltage: 120 VAC • Phase: 3-Ø • Frequency: 60 Hz • Phase: Single Ø

• Heats power should always be used and away from the unit. Do not allow the power cord to touch any hot components.

• To clean blower assembly, first disconnect power to the unit. Then remove the rear panel and use a vacuum cleaner to remove any dust accumulation on the blower duct or inside the blower duct.

CAUTION: Moving Parts May Cause Injury. Do Not Operate Unit With Any Covers Removed.

CAUTION: Hot Parts, Do Not Operate Unit With Any Components Removed.

DANGER: Risk of Electric Shock. Disconnect Power Before Servicing Unit.

Ex-Mobile Homes

Do not combust combustion air openings.

OPERATE ONLY WITH DOORS CLOSED.

Must securely fasten air from outside mobile home via air inlet connection on the back of the heater.

This product may be covered by one or more US or international patents or pending patent applications in the US and other countries. Please visit www.enercogroup.com/patents for more information.

U.S. ENVIRONMENTAL PROTECTION AGENCY
Certified to comply with 2020 particulate emission standards using pellet fuel.

Information électronique

Modèle	Capacité de chauffage (kW)	Particules (g/h)
C60W	1,6	1,2
C130W	3,2	2,4
CBF66W	3,2	2,4

• Tension : 120 V.c.a. • Phase : 3-Ø • Fréquence : 60 Hz • Phase : 1 Ø

• Le chauffage doit toujours être utilisé et à l'écart de la zone de circulation de la pelle. Ne laissez pas le cordon d'alimentation toucher les composants chauds.

• Pour nettoyer l'ensemble, d'abord déconnectez l'unité de l'alimentation électrique et retirez le panneau arrière et utilisez un aspirateur pour éliminer toute accumulation de poussière dans le conduit de soufflage ou à l'intérieur de la rampe.

ATTENTION : Les pièces mobiles peuvent causer des blessures. Ne touchez pas les pièces chaudes.

DANGER : Risque de choc électrique. Coupez l'alimentation avant d'entretenir l'unité.

Ex-Maisons mobiles

Nécessite de combiner l'ouverture de ventilation de l'air de combustion avec une prise d'air de l'extérieur.

Doit être fermement fixé à l'extérieur de la maison mobile à l'aide d'une connexion d'air à l'arrière de l'unité.

Ce produit peut être couvert par un ou plusieurs brevets ou demandes de brevets aux États-Unis et dans d'autres pays. Pour plus d'informations, veuillez visiter www.enercogroup.com/patents

Également certifié pour répondre aux normes d'émission de particules de 2020 établies par l'U.S. ENVIRONMENTAL PROTECTION AGENCY en utilisant du bois de qualité.

Pour un bon rendement de fonctionnement ou pour des garanties de bois-énergie ou garanties pelletaires. Pour plus d'informations, consultez le Guide de propriétés. Tous les modèles ne respectent pas les directives de Guide de propriétés concernant le réglage automatique.

REMARQUE : Les unités de type CBF66W et CBF66W sont conçues pour être utilisées dans des maisons mobiles.

• Consultez 3-Ø • Phase : 1 Ø

• Le chauffage doit toujours être utilisé et à l'écart de la zone de circulation de la pelle. Ne laissez pas le cordon d'alimentation toucher les composants chauds.

• Pour nettoyer l'ensemble, d'abord déconnectez l'unité de l'alimentation électrique et retirez le panneau arrière et utilisez un aspirateur pour éliminer toute accumulation de poussière dans le conduit de soufflage ou à l'intérieur de la rampe.

ATTENTION : Les pièces mobiles peuvent causer des blessures. Ne touchez pas les pièces chaudes.

DANGER : Risque de choc électrique. Coupez l'alimentation avant d'entretenir l'unité.

Ex-Maisons mobiles

Nécessite de combiner l'ouverture de ventilation de l'air de combustion avec une prise d'air de l'extérieur.

Doit être fermement fixé à l'extérieur de la maison mobile à l'aide d'une connexion d'air à l'arrière de l'unité.

Ce produit peut être couvert par un ou plusieurs brevets ou demandes de brevets aux États-Unis et dans d'autres pays. Pour plus d'informations, veuillez visiter www.enercogroup.com/patents

Également certifié pour répondre aux normes d'émission de particules de 2020 établies par l'U.S. ENVIRONMENTAL PROTECTION AGENCY en utilisant du bois de qualité.

Pour un bon rendement de fonctionnement ou pour des garanties de bois-énergie ou garanties pelletaires. Pour plus d'informations, consultez le Guide de propriétés. Tous les modèles ne respectent pas les directives de Guide de propriétés concernant le réglage automatique.

REMARQUE : Les unités de type CBF66W et CBF66W sont conçues pour être utilisées dans des maisons mobiles.

• Consultez 3-Ø • Phase : 1 Ø

- Technical Requirements**
- Refer to the title block for all unspecified dimensional tolerances.
 - For color requirements refer to the provided electronic data.
 - The same batch must have color uniformity throughout.
 - The label must have clear fonts, be free of curling, missing marks, chromatic aberration, and flow marks.
 - Material: Etched Metal
 - Background: Silver Metal; Text: Black

UNLESS OTHERWISE SPECIFIED:		NAME	DATE
DIMENSIONS ARE IN INCHES		CREATED	CZ
TOLERANCES:			2024.01.12
TWO PLACE DECIMAL: ± .030			
THREE PLACE DECIMAL: ± .005			
HOLES: ± .004			
ANGULAR: ± 1 DEG.			
FRACTIONAL DIMENSIONS: ± 1/64			
INTERPRET GEOMETRIC TOLERANCING PER: N/A	PROPRIETARY AND CONFIDENTIAL THE INFORMATION CONTAINED IN THIS DRAWING IS THE SOLE PROPERTY OF ENERCO GROUP, INC. ANY REPRODUCTION IN PART OR AS A WHOLE WITHOUT THE WRITTEN PERMISSION OF ENERCO GROUP, INC. IS PROHIBITED.		
MATERIAL	SEE NOTES		
FINISH			
DO NOT SCALE DRAWING		TITLE:	
		<p>LABEL, RATE, PELLET STOVES, CANYON LODGE</p>	
SIZE: A4	DWG.NO.	66804	REV
			B
SCALE: N/A	WEIGHT: N/A	SHEET 1 OF 1	

Model No / N° de modèle :

- C60W
- C130W
- CBF66W

2024		2025		2026		DATE OF MANUFACTURE / DATE DE FABRICATION		SEP		OCT		NOV		DEC	
JAN	FEB	MAR	APR	MAY	JUN	JUL	AUG	SEP	OCT	NOV	DEC				
2024	2025	2026	JANV	FEV	MAR	AVR	MAI	JUIN	JUIL	AOÛT	SEPT	OCT	NOV	DEC	



CAUTION: HOT WHILE IN OPERATION. DO NOT TOUCH. KEEP CHILDREN, CLOTHING, AND FURNITURE AWAY. CONTACT MAY CAUSE SKIN BURNS. SEE NAMEPLATE AND INSTRUCTIONS.

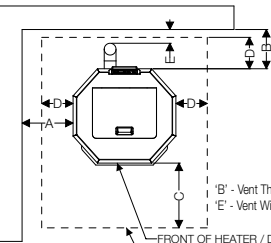


ATTENTION : BRÛLANT DURANT LE FONCTIONNEMENT. NE PAS TOUCHER. GARDER LES ENFANTS, LES VÊTEMENTS ET L'AMEUBLEMENT ÉLOIGNÉS. LE CONTACT POURRAIT CAUSER DES BRÛLURES. VOIR LA FICHE SIGNALÉTIQUE ET LES INSTRUCTIONS.

MINIMUM CLEARANCES TO COMBUSTIBLES

When installed on a combustible floor, non-combustible floor protection is required to cover the area beneath the heater and extend at least 18" (457 mm) to the front and at least 8" (203 mm) beyond each side of the room heater. The room heater shall not be less than 13" (330 mm) from the side and 2" (51 mm) from the rear to combustible materials. The vent pipe must be at least 3" (76 mm) from any wall. Minimum floor-to-ceiling distance 84" (2134 mm).

If the stove is to be installed on combustible flooring, the floor must be protected with non-insulated ember board. See manual for additional information on floor protection.



'B' - Vent Through Rear Wall / Évén à travers le mur arrière
'C' - Vent With Vertical Vent Pipe / Évén avec tuyau d'évén vertical
FRONT OF HEATER / DEVANT DU POËLE
NON-COMBUSTIBLE FLOOR PROTECTION /
PROTECTEUR DE PLANCHER NON COMBUSTIBLE

DÉGAGEMENTS MINIMAUX DE MATIÈRES COMBUSTIBLES

Pour installation sur un plancher combustible, une protection non combustible doit être placée sous le poêle en dépassant d'au-moins 457 mm (18 po) sur le devant et d'au moins 203 mm (8 po) sur les trois autres côtés de l'unité. L'unité devra être placée à non moins de 51 mm (2 po) du mur arrière et devra avoir au moins 330 mm (13 po) de dégagement sur les côtés. Le tuyau d'évén devra être dégagé d'au moins 76 mm (3 po) de tout mur. Distance minimale du plancher au plafond : 2 134 mm (84 po). S'il est prévu que le poêle sera installé sur un plancher combustible, le plancher doit être protégé par planche de braise non isolée. Pour plus d'information sur les protecteurs de planchers, voir le manuel.

	U.S.A.	CANADA	ÉTATS-UNIS	CANADA
A	13" (330 mm)	13" (330 mm)	A 13 po (330 mm)	13 po (330 mm)
B	2" (51 mm)	2" (51 mm)	B 2 po (51 mm)	2 po (51 mm)
C	18" (457 mm)	18" (457 mm)	C 18 po (457 mm)	18 po (457 mm)
D	8" (203 mm)	8" (203 mm)	D 8 po (203 mm)	8 po (203 mm)
E	3" (76 mm)	3" (76 mm)	E 3 po (76 mm)	3 po (76 mm)

**SERIAL NUMBER
NUMÉRO DE SÉRIE**

- Use a 3" (80 mm) diameter type 'L' or 'PL' venting system approved for solid fuels.
- **CAUTION:** Special methods are required when passing chimney through a wall or ceiling. Refer to manufacturer's instructions and local building codes.
- Inspect and Clean Exhaust Venting System Frequently.
- Install and Use Only in Accordance With Enerco Group, Inc.'s Installation and Operating Instructions.
- Contact Local Building or Fire Officials About Restrictions and Installation Inspection in Your Area.
- For Use With Wood Pellet Fuel Only.
- Do Not Connect This Unit to a Chimney Fuel Serving Another Appliance.
- Keep Viewing and Ash Removal Doors Tightly Closed During Operation.
- Room Heater, Pellet Fuel-Burning Type. Also Suitable For Use In Mobile Homes.

MODEL	BURN RATE (kg/hr) (dry)			PARTICULATE EMISSIONS (g/hr)
	HIGH	MED	LOW	
C60W	1.98	0.92	0.72	1.3
C130W	2.19	1.28	0.90	1.6
CBF66W	2.12	1.07	0.79	1.1

Electrical Information

- Voltage: 120 VAC
- Frequency: 60 Hz
- Route power cord away behind and away from the unit. Do not allow the power cord to touch any hot components.
- To clean blower assembly, first disconnect power to the unit. Then remove the rear panel and use a vacuum cleaner to remove any dust accumulation on the blower's blades or inside the blower duct.
- **CAUTION:** Moving Parts May Cause Injury. Do Not Operate Unit With Any Covers Removed.
- **CAUTION:** Hot Parts. Do Not Operate Unit With Any Components Removed.
- **DANGER:** Risk of Electric Shock. Disconnect Power Before Servicing Unit.

ASTM E2515-2017 Standard Test Method for Determination of Particulate Matter Emissions Collected by a Dilution Tunnel
ASTM E2779-2017 Standard Test Method for Determining Particulate Matter Emissions from Pellet Heaters
CSA B415.1-22 Performance Testing of Solid-Fuel-Burning Heating Appliances
EPA ALT-146 Medium Burn Rate Calculation
ASTM E1509-22 Standard Spec cation for Room Heaters, Pellet Fuel-Burning Type
CAN/ULC-S627-2023 Standard For Space Heaters For Use With Solid Fuels. Also Suitable For Use In Mobile Homes
Refer to the Intertek Directory of Building Products (https://bpdirectory.intertek.com) for detailed information.

Enerco Group, Inc. | 4560 W160th Street, Cleveland, Ohio 44135 | 1-800-251-0001
Made in China

- To replace blower assembly, first unplug the unit, and then remove the rear and side panels as needed and disconnect blower assembly via the screws connecting it to the heater. Remove wiring connections. Replace with new blower assembly and repeat the above steps in reverse order.
- This heater is designed to burn only high quality wood pellets with a density of 700 kg/m³ and a water content of at least 8% of the weight of the pellets. Never use gasoline, gasoline-type lantern fuel, kerosene, charcoal lighter fluid, or similar liquids to start or "freshen up" a fire in this heater. Keep all such liquids well away from the heater while it is in use. See manual for additional specifications for acceptable wood pellets.
- To be installed as a freestanding space heater with the clearances in the manufacturer's installation instructions. Not to be installed in any fireplace.
- Replace glass window with ceramic single-pane glass.
- U.S. ENVIRONMENTAL PROTECTION AGENCY Certified to comply with 2020 particulate emission standards using pellet fuel.
- This wood heater needs periodic inspection and repair for proper operation. Consult the owner's manual for further information. It is against federal regulations to operate this wood heater in a manner inconsistent with the operating instructions in the owner's manual.

For Mobile Homes

- Do not obstruct combustion air openings.
- OPERATE ONLY WITH DOORS CLOSED.
- Must supply fresh air from outside mobile home via air inlet connection on the back of the heater.
- This product may be covered by one or more US or international patents or pending patent applications in the US and other countries. Please visit www.enercogroupinc.com/patents for more information.

- Utiliser un tuyau d'évén de type L ou PL de 80 mm (3 po) de diamètre approuvé pour brûler à combustible solide.
- **ATTENTION:** Un montage différent doit être réalisé pour une installation de cheminée à travers un mur ou un toit. Se référer aux directives du fabricant et au code de la construction local.
- Inspecter et nettoyer le système d'évén de sortie fréquemment.
- Installer et utiliser seulement selon le Guide d'installation et de fonctionnement de Enerco Group Inc.
- Contacter les autorités du code de la construction ou le service d'incendie pour connaître les restrictions et les inspections d'approbation dans votre région.
- Pour utilisation avec granulés de bois seulement.
- Ne pas raccorder cette unité à une cheminée connectée à un autre appareil.
- Durant le fonctionnement, garder la porte de visionnement et la porte de retrait des cendres bien fermées. Poêle de type à granulés de bois. Adéquat pour utilisation dans les maisons mobiles.

MODÈLE	Taux de consommation (kg/h)			ÉMISSION DE PARTICULES (g/h)
	ÉLEVÉ	MOYEN	BAS	
C60W	1.98	0.92	0.72	1.3
C130W	2.19	1.28	0.90	1.6
CBF66W	2.12	1.07	0.79	1.1

Information électrique

- Tension: 120 Vc.a.
- Fréquence: 60 Hz
- Placer le cordon d'alimentation hors de nuire derrière et s'éloignant de l'unité. Ne pas laisser le cordon toucher toute pièce chaude.
- Avant de nettoyer le ventilateur, couper l'alimentation de l'unité. Retirer ensuite le panneau arrière et à l'aide d'un aspirateur, nettoyer toute accumulation de poussière sur les pales du ventilateur et à l'intérieur de la canalisation.
- **ATTENTION :** Les pièces mobiles peuvent causer des blessures. Ne pas faire fonctionner l'unité avec ses panneaux d'enceinte retirés.
- **ATTENTION :** Pièces chaudes. Ne pas faire fonctionner l'unité avec des pièces retirées.
- **DANGER :** Potentiel de choc électrique. Couper l'alimentation avant d'entretenir l'unité.

ASTM E2515-2017 Méthode d'essai standard pour la détermination des émissions de particules collectées par un tunnel de dilution
ASTM E2779-2017 Méthode d'essai standard pour déterminer les émissions de particules des appareils de chauffage à granulés
CSA B415.1-22 Essais de performance d'appareils de chauffage consommant un carburant solide
EPA ALT-146 Calcul du taux de combustion moyen
ASTM E1509-22 Spécification standard pour les appareils de chauffage, type à granulés de bois
Norme pour les appareils de chauffage à utiliser avec des combustibles solides. Convient également pour une utilisation dans les maisons mobiles
ASTM/ULC-S627-2023
Reportez-vous au répertoire des produits de construction d'Intertek (https://bpdirectory.intertek.com) pour obtenir des informations détaillées.

Enerco Group, Inc. | 4560 W160th Street, Cleveland, Ohio 44135 | 1-800-251-0001
Fabriqué en Chine



Brevet Américain en Instance

- N60WTS
- N130WTS
- NBF66WTS



CAUTION: HOT WHILE IN OPERATION. DO NOT TOUCH. KEEP CHILDREN, CLOTHING, AND FURNITURE AWAY. CONTACT MAY CAUSE SKIN BURNS. SEE NAMEPLATE AND INSTRUCTIONS.

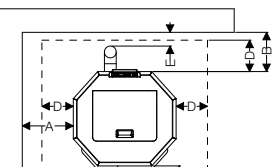


ATTENTION : BRÛLANT DURANT LE FONCTIONNEMENT. NE PAS TOUCHER. GARDER LES ENFANTS, LES VÊTEMENTS ET L'AMEUBLEMENT ÉLOIGNÉS. LE CONTACT POURRAIT CAUSER DES BRÛLURES. VOIR LA FICHE SIGNALÉTIQUE ET LES INSTRUCTIONS.

MINIMUM CLEARANCES TO COMBUSTIBLES

When installed on a combustible floor, non-combustible floor protection is required to cover the area beneath the heater and extend at least 18" (457 mm) to the front and at least 8" (203 mm) beyond each side of the room heater. The room heater shall not be less than 13" (330 mm) from the side and 2" (51 mm) from the rear to combustible materials. The vent pipe must be at least 3" (76 mm) from any wall. Minimum floor-to-ceiling distance 84" (2134 mm).

If the stove is to be installed on combustible flooring, the floor must be protected with non-insulated ember board. See manual for additional information on floor protection.



'B' - Vent Through Rear Wall/ Événit à travers le mur arrière
'E' - Vent With Vertical Vent Pipe/ Événit avec tuyau d'événit vertical

FRONT OF HEATER / DEVANT DU POËLE
NON-COMBUSTIBLE FLOOR PROTECTION /
PROTECTEUR DE PLANCHER NON COMBUSTIBLE

	U.S.A.	CANADA
A	13" (330 mm)	13" (330 mm)
B	2" (51 mm)	2" (51 mm)
C	18" (457 mm)	18" (457 mm)
D	8" (203 mm)	8" (203 mm)
E	3" (76 mm)	3" (76 mm)

DÉGAGEMENTS MINIMAUX DE MATIÈRES COMBUSTIBLES

Pour installation sur un plancher combustible, une protection non combustible doit être placée sous le poêle en dépassant d'au-moins 457 mm (18 po) sur le devant et d'au moins 203 mm (8 po) sur les trois autres côtés de l'unité. L'unité devra être placée à non moins de 51 mm (2 po) du mur arrière et devra avoir au moins 330 mm (13 po) de dégagement sur les côtés. Le tuyau/d'événit devra être dégagé d'au moins 76 mm (3 po) de tout mur. Distance minimale du plancher au plafond : 2 134 mm (84 po).

S'il est prévu que le poêle sera installé sur un plancher combustible, le plancher doit être protégé par planche de braise non isolée. Pour plus d'information sur les protecteurs de planchers, voir le manuel.

**SERIAL NUMBER
NUMÉRO DE SÉRIE**

- Use a 3" (80 mm) diameter type 'L' or 'PL' venting system approved for solid fuels.
- **CAUTION:** Special methods are required when passing chimney through a wall or ceiling. Refer to manufacturer's instructions and local building codes.
- Inspect and Clean Exhaust Venting System Frequently.
- Install and Use Only in Accordance With Enerco Group, Inc.'s Installation and Operating Instructions.
- Contact Local Building or Fire Officials About Restrictions and Installation Instructions in Your Area.
- For Use With Wood Pellet Fuel Only.
- Do Not Connect This Unit to a Chimney Fuel Serving Another Appliance.
- Keep Viewing and Ash Removal Doors Tightly Closed During Operation.
- Room Heater, Pellet Fuel-Burning Type. Also Suitable For Use In Mobile Homes.

MODEL	BURN RATE (kg/hr) (dry)			PARTICULATE EMISSIONS (g/hr)
	HIGH	MED	LOW	
N60WTS	1.98	0.92	0.72	1.3
N130WTS	2.19	1.28	0.90	1.6
NBF66WTS	2.12	1.07	0.79	1.1

- Voltage: 120 VAC
- Frequency: 60 Hz
- Route power cord away behind and away from the unit. Do not allow the power cord to touch any hot components.
- To clean blower assembly, first disconnect power to the unit. Then remove the rear panel and use a vacuum cleaner to remove any dust accumulation on the blower's blades or inside the blower duct.
- **CAUTION:** Moving Parts May Cause Injury. Do Not Operate Unit With Any Covers Removed.
- **CAUTION:** Hot Parts. Do Not Operate Unit With Any Components Removed.
- **DANGER:** Risk of Electric Shock. Disconnect Power Before Servicing Unit.

- Current: 3.3 A
- Phase: Single Ø
- To replace blower assembly, first unplug the unit, and then remove the rear and side panels as needed and disconnect blower assembly via the screws connecting it to the heater. Remove wiring connections. Replace with new blower assembly and repeat the above steps in reverse order.
- This heater is designed to burn only high quality wood pellets with a density of 700 kg/m³ and a water content of at least 8% of the weight of the pellets. Never use gasoline, gasoline-type lantern fuel, kerosene, charcoal lighter fluid, or similar liquids to start or 'freshen up' a fire in this heater. Keep all such liquids well away from the heater while it is in use. See manual for additional specifications for acceptable wood pellets.
- To be installed as a freestanding space heater with the clearances in the manufacturer's installation instructions. Not to be installed in any fireplace.
- Replace glass window with ceramic single-pane glass.
- U.S. ENVIRONMENTAL PROTECTION AGENCY Certified to comply with 2020 particulate emission standards using pellet fuel.
- This wood heater needs periodic inspection and repair for proper operation. Consult the owner's manual for further information. It is against federal regulations to operate this wood heater in a manner inconsistent with the operating instructions in the owner's manual.

For Mobile Homes

- Do not obstruct combustion air openings.
- OPERATE ONLY WITH DOORS CLOSED.
- Must supply fresh air from outside mobile home via air inlet connection on the back of the heater.

This product may be covered by one or more US or international patents or pending patent applications in the US and other countries. Please visit www.enercogroupinc.com/patents for more information.



Report Number: F23-240

- Utiliser un tuyau d'événit de type L ou PL de 80 mm (3 po) de diamètre approuvé pour poêles à combustible solide.
- **ATTENTION :** Un montage différent doit être réalisé pour une installation de cheminée à travers un mur ou au code ou un toit. Se référer aux directives du fabricant et à votre local de construction local.
- Inspecter et nettoyer le système d'événit de sortie fréquemment.
- Installer et utiliser seulement selon le Guide d'installation et de fonctionnement de Enerco Group Inc.
- Contacter les autorités du code de la construction ou le service d'incendie pour connaître les restrictions et les inspections d'approbation dans votre région.
- Pour utilisation avec granulés de bois seulement.
- Ne pas raccorder cette unité à une cheminée connectée à un autre appareil.
- Durant le fonctionnement, garder la porte de visionnement et la porte de retrait des cendres bien fermées. Poêle de type à granulés de bois. Adéquat pour utilisation dans les maisons mobiles.

MODÈLE	TAUX DE CONSOMMATION (kg/h)			ÉMISSIONS DE PARTICULES (g/h)
	ÉLEVÉ	MOYEN	BAS	
N60WTS	1.98	0.92	0.72	1.3
N130WTS	2.19	1.28	0.90	1.6
NBF66WTS	2.12	1.07	0.79	1.1

Information électrique

- Tension : 120 Vca.
- Fréquence : 60 Hz
- Placer le cordon d'alimentation hors de nuire derrière en s'loignant de l'unité. Ne pas laisser le cordon toucher toute pièce chaude.
- Avant de nettoyer le ventilateur, couper l'alimentation de l'unité. Retirer ensuite le panneau arrière et à l'aide d'un aspirateur, nettoyer toute accumulation de poussière sur les pales du ventilateur et à l'intérieur de la canalisation.
- **ATTENTION :** Les pièces mobiles peuvent causer des blessures. Ne pas faire fonctionner l'unité avec ses panneaux d'enceinte retirés.
- **ATTENTION :** Pièces chaudes. Ne pas faire fonctionner l'unité avec des pièces retirées.
- **DANGER :** Potentiel de choc électrique. Couper l'alimentation avant d'entretenir l'unité.
- Current : 3.3 A
- Phase : 1 Ø

- ASTM E2515-2017
- ASTM E2779-2017
- CSA B415.1-22
- EPA AL1-146
- ASTM E1509-22
- CANULC-S627:2023

Méthode d'essai standard pour la détermination des émissions de particules collectées par un tunnel de dilution
Méthode d'essai standard pour déterminer les émissions de particules des appareils de chauffage à granulés
Essais de performance d'appareils de chauffage consommant un carburant solide
Calcul du taux de combustion moyen
Spécification standard pour les appareils de chauffage, type à granulés de bois
Norme pour les appareils de chauffage à utiliser avec des combustibles solides. Convient également pour une utilisation dans les maisons mobiles

REV	DESCRIPTION OF CHANGE	DATE	CHANGED BY
A	NEW RELEASE	2022.01.13	CZ
B	Updated to PFS & New Standards	2024.02.13	CZ

F500XXX	C80XL
F500XXX	C140XL
F500XXX	C3W80XL

USED ON

6.75"

Model No. / N° du modèle

C80XL
 C140XL
 C3W80XL

DATE OF MANUFACTURE / DATE DE FABRICATION

2024	2023	2022	2021	2020	2019	2018	2017	2016	2015	2014	2013	2012	2011	2010	2009	2008	2007	2006	2005	2004	

CAUTION: HOT WHILE IN OPERATION. DO NOT TOUCH. KEEP CHILDREN, CLOTHING, AND FURNITURE AWAY. CONTACT MAY CAUSE SKIN BURNS. SEE NAMEPLATE AND INSTRUCTIONS.

ATTENTION : BRÛLANT DURANT LE FONCTIONNEMENT. NE PAS TOUCHER. GARDER LES ENFANTS, LES VÊTEMENTS ET L'MEUBLEMENT ÉLOIGNÉS. LE CONTACT POURRAIT CAUSER DES BRÛLURES. VOIR LA FICHE SIGNALÉTIQUE ET LES INSTRUCTIONS.

7.5"

MINIMUM CLEARANCES TO COMBUSTIBLES

When installed on a combustible floor, non-combustible floor protection is required to cover the area beneath the heater and extend at least 18" (457 mm) to the front and at least 12" (305 mm) beyond each side of the rear heater. The rear heater shall not be less than 12" (305 mm) from the side and 2" (51 mm) from the rear to combustible materials. The vent pipe must be at least 3" (76 mm) from any wall, including floor-to-ceiling distance (2" (51 mm)).

If the stove is to be installed on combustible flooring, the floor must be protected with non-combustible ember board. See manual for additional information on floor protection.

B : Vent Through Rear Wall. Ember board is not needed.
C : Vent With Model No. F500. Ember board is not needed.

PROTECTEUR DE PLANCHER NON COMBUSTIBLE / PROTECTOR DE LA PLANCHER NON COMBUSTIBLE

DÉGAGEMENTS MINIMUM DE MATÉRIERS COMBUSTIBLES

Quand installé sur un plancher combustible, une protection non combustible doit couvrir la zone sous le chauffage et s'étendre au moins 457 mm (18 po) sur la devant et au moins 305 mm (12 po) de chaque côté de la partie arrière du chauffage. L'arrière du chauffage doit être au moins de 305 mm (12 po) du mur arrière et de moins de 51 mm (2 po) du mur arrière. Le tuyau d'évacuation doit être à au moins 76 mm (3 po) du tout mur. Distance minimale du plancher au plafond : 254 mm (10 po).

Si est prévu que le poêle sera installé sur un plancher combustible, le plancher doit être protégé par planche de bois non combustible. Voir plus d'information sur les protecteurs de planchers, voir le manuel.

B : Vent Through Rear Wall. Ember board is not needed.
C : Vent With Model No. F500. Ember board is not needed.

Serial Number

USA	INDONESIA	FRANCE/FRANCE	INDONESIA
USA	INDONESIA	FRANCE/FRANCE	INDONESIA
USA	INDONESIA	FRANCE/FRANCE	INDONESIA
USA	INDONESIA	FRANCE/FRANCE	INDONESIA

Installation Instructions:

- Use a 3" (80 mm) diameter type "L" or "P" vent system approved for solid fuel.
- CAUTION:** Special methods are required when passing chimney through a wall or ceiling. Refer to manufacturer's instructions and local building codes.
- Inspect and Clean Exhaust Venting System Frequently.
- Install and Use Only in Accordance With Enerco Products, Inc.'s Installation and Operating Instructions.
- Contact Local Building or Fire Officials About Restrictions and Operating Instructions.
- Do Not Connect This Unit to a Gravity Fuel Servicing Appliance.
- Wash, Waxing and Ash Removal Doors Tightly Closed During Operation.
- Do Not Connect This Unit to a Gravity Fuel Servicing Appliance.
- Wash, Waxing and Ash Removal Doors Tightly Closed During Operation.
- Do Not Connect This Unit to a Gravity Fuel Servicing Appliance.
- Wash, Waxing and Ash Removal Doors Tightly Closed During Operation.

U.S. ENVIRONMENTAL PROTECTION AGENCY
Certified to comply with 2000 particulate emission standards using pellet fuel.

The wood heater needs periodic inspection and repair for proper operation. Consult the owner's manual for inspection instructions. It is suggested that inspections to operate this wood heater in a manner consistent with the operating instructions in the owner's manual.

For Mobile Homes:
Do not exhaust combustion air outdoors.
OPERATE ONLY WITH DOORS CLOSED.
A solid supply vent from outside mobile home via air tight connection on the back of the heater.

CAUTION: Moving Parts. May Cause Injury. Do Not Operate With Any Cover Removed.

CAUTION: Hot Parts. Do Not Operate With Wet Feet. Components May Be Hot.

WARNING: Risk of Electric Shock. Disconnect Power Before Servicing Unit.

Technical Requirements:

- Refer to the title block for all unspecified dimensional tolerances.
- For color requirements refer to the provided electronic data.
- The same batch must have color uniformity throughout.
- The label must have clear fonts, be free of curling, missing marks, chromatic aberration, and flow marks.
- Material: Etched Metal
- Background: Silver Metal; Text: Black

UNLESS OTHERWISE SPECIFIED:		NAME	DATE
DIMENSIONS ARE IN INCHES		CREATED	CZ
TOLERANCES:			2022.01.13
TWO PLACE DECIMAL: ± .030			
THREE PLACE DECIMAL: ± .005			
HOLES: ± .004			
ANGULAR: ± 1 DEG.			
FRACTIONAL DIMENSIONS: ± 1/64			
INTERPRET GEOMETRIC TOLERANCING PER: N/A		PROPRIETARY AND CONFIDENTIAL THE INFORMATION CONTAINED IN THIS DRAWING IS THE SOLE PROPERTY OF ENERCO GROUP, INC. ANY REPRODUCTION IN PART OR AS A WHOLE WITHOUT THE WRITTEN PERMISSION OF ENERCO GROUP, INC. IS PROHIBITED.	
MATERIAL SEE NOTES		TITLE: LABEL, RATE, PELLET STOVES, MODEL C	
FINISH		SIZE: A4	DWG.NO. 66749
			REV B
DO NOT SCALE DRAWING		SCALE: N/A	WEIGHT: N/A
		SHEET 1 OF 1	



Model No / N° de modèle :

- C80XL
- C140XL
- C3W80XL

2024		2025		2026		JAN		FEB		MAR		APR		MAY		JUN		JUL		AUG		SEP		OCT		NOV		DEC	
2024		2025		2026		JANV		FÉV		MAR		AVR		MAI		JUIN		JUIL		AOÛT		SEPT		OCT		NOV		DÉC	



CAUTION: HOT WHILE IN OPERATION. DO NOT TOUCH. KEEP CHILDREN, CLOTHING, AND FURNITURE AWAY. CONTACT MAY CAUSE SKIN BURNS. SEE NAMEPLATE AND INSTRUCTIONS.

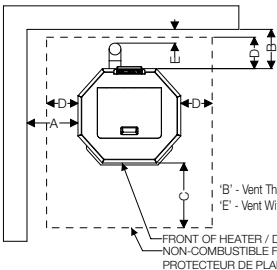


ATTENTION : BRÛLANT DURANT LE FONCTIONNEMENT. NE PAS TOUCHER. GARDER LES ENFANTS, LES VÊTEMENTS ET L'AMEUBLEMENT ÉLOIGNÉS. LE CONTACT POURRAIT CAUSER DES BRÛLURES. VOIR LA FICHE SIGNALÉTIQUE ET LES INSTRUCTIONS.

MINIMUM CLEARANCES TO COMBUSTIBLES

When installed on a combustible floor, non-combustible floor protection is required to cover the area beneath the heater and extend at least 18" (457 mm) to the front and at least 8" (203 mm) beyond each side of the room heater. The room heater shall not be less than 13" (330 mm) from the side and 2" (51 mm) from the rear to combustible materials. The vent pipe must be at least 3" (76 mm) from any wall. Minimum floor-to-ceiling distance 84" (2134 mm).

If the stove is to be installed on combustible flooring, the floor must be protected with non-insulated ember board. See manual for additional information on floor protection.



'B' - Vent through Rear Wall / Évén à travers le mur arrière
'E' - Vent With Vertical Vent Pipe / Évén avec tuyau d'évent vertical

FRONT OF HEATER / DEVANT DU POËLE
NON-COMBUSTIBLE FLOOR PROTECTION /
PROTECTEUR DE PLANCHER NON COMBUSTIBLE

DÉGAGEMENTS MINIMAUX DE MATIÈRES COMBUSTIBLES

Pour installation sur un plancher combustible, une protection non combustible doit être placée sous le poêle en dépassant d'au-moins 457 mm (18 po) sur le devant et d'au moins 203 mm (8 po) sur les trois autres côtés de l'unité. L'unité devra être placée à non moins de 51 mm (2 po) du mur arrière et devra avoir au moins 330 mm (13 po) de dégagement sur les côtés. Le tuyau d'évent devra être dégagé d'au moins 76 mm (3 po) de tout mur. Distance minimale du plancher au plafond : 2 134 mm (84 po).

S'il est prévu que le poêle sera installé sur un plancher combustible, le plancher doit être protégé par planche de braise non isolée. Pour plus d'information sur les protecteurs de planchers, voir le manuel.

	U.S.A.	CANADA	ÉTATS-UNIS		CANADA	
A	13" (330 mm)	13" (330 mm)	A 13 po (330 mm)	A 13 po (330 mm)	B 2 po (51 mm)	B 2 po (51 mm)
B	2" (51 mm)	2" (51 mm)	C 18 po (457 mm)	C 18 po (457 mm)	D 8 po (203 mm)	D 8 po (203 mm)
C	18" (457 mm)	18" (457 mm)	E 3 po (76 mm)	E 3 po (76 mm)		
D	8" (203 mm)	8" (203 mm)				
E	3" (76 mm)	3" (76 mm)				

**SERIAL NUMBER
NUMÉRO DE SÉRIE**

- Use a 3" (80 mm) diameter type 'L' or 'PL' venting system approved for solid fuels.
- **CAUTION:** Special methods are required when passing chimney through a wall or ceiling. Refer to manufacturer's instructions and local building codes.
- Inspect and Clean Exhaust Venting System Frequently.
- Install and Use Only in Accordance With Enerco Group, Inc.'s Installation and Operating Instructions.
- Contact Local Building or Fire Officials About Restrictions and Installation Instructions in Your Area.
- For Use With Wood Pellet Fuel Only.
- Do Not Connect This Unit to a Chimney Fuel Serving Another Appliance.
- Keep Viewing and Ash Removal Doors Tightly Closed During Operation.
- Room Heater, Pellet Fuel-Burning Type. Also Suitable For Use In Mobile Homes.

MODEL	BURN RATE (kg/hr) (dry)			PARTICULATE EMISSIONS (g/hr)
	HIGH	MED	LOW	
C80XL	1.98	0.92	0.72	1.3
C140XL	2.19	1.28	0.90	1.6
C3W80XL	2.12	1.07	0.79	1.1

Electrical Information

- Voltage: 120 VAC
- Frequency: 60 Hz
- Route power cord away behind and above from the unit. Do not allow the power cord to touch any hot components.
- To clean blower assembly, first disconnect power to the unit. Then remove the rear panel and use a vacuum cleaner to remove any dust accumulation on the blower's blades or inside the blower duct.
- **CAUTION:** Moving Parts May Cause Injury. Do Not Operate Unit With Any Covers Removed.
- **CAUTION:** Hot Parts. Do Not Operate Unit With Any Components Removed.
- **DANGER:** Risk of Electric Shock. Disconnect Power Before Servicing Unit.

- Current: 3.3 A
- Phase: Single Ø

- To replace blower assembly, first unplug the unit, and then remove the rear and side panels as needed and disconnect blower assembly via the screws connecting it to the heater. Remove wiring connections. Replace with new blower assembly and repeat the above steps in reverse order.
- This heater is designed to burn only high quality wood pellets with a density of 700 kg/m³ and a water content of at least 8% of the weight of the pellets. Never use gasoline, gasoline-type lantern fuel, kerosene, charcoal lighter fluid, or similar liquids to start or 'freshen up' a fire in this heater. Keep all such liquids well away from the heater while it is in use. See manual for additional specifications for acceptable wood pellets.
- To be installed as a freestanding space heater with the clearances in the manufacturer's installation instructions. Not to be installed in any fireplace.
- Replace glass window with ceramic single-pane glass.
- U.S. ENVIRONMENTAL PROTECTION AGENCY Certified to comply with 2020 particulate emission standards using pellet fuel.
- This wood heater needs periodic inspection and repair for proper operation. Consult the owner's manual for further information. It is against federal regulations to operate this wood heater in a manner inconsistent with the operating instructions in the owner's manual.

For Mobile Homes

- Do not obstruct combustion air openings.
- OPERATE ONLY WITH DOORS CLOSED.
- Must supply fresh air from outside mobile home via air inlet connection on the back of the heater.
- This product may be covered by one or more US or international patents or pending patent applications in the US and other countries. Please visit www.enercogroupinc.com/patents for more information.

- Utiliser un tuyau d'évent de type L ou PL de 80 mm (3 po) de diamètre approuvé pour poêles à combustible solide.
- **ATTENTION :** Un montage différent doit être réalisé pour une installation de cheminée à travers un mur ou un toit. Se référer aux directives du fabricant et au code de la construction local.
- Inspecter et nettoyer le système d'évent de sortie fréquemment.
- Installer et utiliser seulement selon le Guide d'installation et de fonctionnement de Enerco Group Inc.
- Contacter les autorités du code de la construction ou le service d'incendie pour connaître les restrictions et les inspections d'approbation dans votre région.
- Pour utilisation avec granulés de bois seulement.
- Ne pas raccorder cette unité à une cheminée connectée à un autre appareil.
- Durant le fonctionnement, garder la porte de visionnement et la porte de retrait des cendres bien fermées. Poêle de type à granulés de bois. Adéquat pour utilisation dans les maisons mobiles.

Information électrique

- Tension : 120 V.c.a.
- Fréquence : 60 Hz
- Préparer le cordon d'alimentation hors de vue derrière en s'éloignant de l'unité. Ne pas laisser le cordon toucher toute pièce chaude.
- Avant de nettoyer le ventilateur, couper l'alimentation de l'unité. Retirer ensuite le panneau arrière et à l'aide d'un aspirateur, nettoyer toute accumulation de poussière sur les pales du ventilateur et à l'intérieur de la canalisation.
- **ATTENTION :** Les pièces mobiles peuvent causer des blessures. Ne pas faire fonctionner l'unité avec des panneaux d'enceinte retirés.
- **ATTENTION :** Pièces chaudes. Ne pas faire fonctionner l'unité avec des pièces retirées.
- **DANGER :** Potentiel de choc électrique. Couper l'alimentation avant d'entretenir l'unité.

- Courant : 3.3 A
- Phase : 1 Ø

MODÈLE	TAUX DE CONSOMMATION (kg/h)			EMISSION DE PARTICULES (g/h)
	ÉLEVÉ	MOYEN	BAS	
C80XL	1.98	0.92	0.72	1.3
C140XL	2.19	1.28	0.90	1.6
C3W80XL	2.12	1.07	0.79	1.1

- ASTM E2515-2017 Standard Test Method for Determination of Particulate Matter Emissions Collected by a Dilution Tunnel
- ASTM E2779-2017 Standard Test Method for Determining Particulate Matter Emissions from Pellet Heaters
- CSA B415-1-22 Performance Testing of Solid-Fuel-Burning Heating Appliances
- EPA ALT-146 Medium Burn Rate Calculation
- ASTM E1509-22 Standard Spec.ication for Room Heaters, Pellet Fuel-Burning Type
- CANULC-S627-2023 Standard For Space Heaters For Use With Solid Fuels. Also Suitable For Use In Mobile Homes



Report Number: F23-240

- ASTM E2515-2017 Méthode d'essai standard pour la détermination des émissions de particules collectées par un tunnel de dilution
- ASTM E2779-2017 Méthode d'essai standard pour déterminer les émissions de particules des appareils de chauffage à granulés
- CSA B415-1-22 Essais de performance d'appareils de chauffage consommant un carburant solide
- EPA ALT-146 Calcul du taux de combustion moyen
- ASTM E1509-22 Spécification standard pour les appareils de chauffage, type à granulés de bois
- CANULC-S627-2023 Norme pour les appareils de chauffage à utiliser avec des combustibles solides. Convient également pour une utilisation dans les maisons mobiles

Refer to the Intertek Directory of Building Products (<https://bpdirectory.intertek.com>) for detailed information.

US Patent Pending

Reportez-vous au répertoire des produits de construction d'Intertek (<https://bpdirectory.intertek.com>) pour obtenir des informations détaillées.

Enerco Group, Inc. | 4560 W160th Street, Cleveland, Ohio 44135 | 1-800-251-0001
Made in China

Enerco Group, Inc. | 4560 W160th Street, Cleveland, Ohio 44135 | 1-800-251-0001
Fabriqué en Chine

REV	DESCRIPTION OF CHANGE	DATE	CHANGED BY
A	NEW RELEASE	2022.01.13	CZ
B	Updated to PFS & New Standards	2024.02.13	CZ

F500XXX	J80XL
F500XXX	J140XL
F500XXX	J3W80XL

USED ON

Model No. / N° de modèle:
 J80XL
 J140XL
 J3W80XL

CAUTION: HOT WHILE IN OPERATION. DO NOT TOUCH. KEEP CHILDREN, CLOTHES, AND FURNITURE AWAY. CONTACT MAY CAUSE SKIN BURNS. SEE NAMEPLATE AND INSTRUCTIONS.

ATTENTION : BRÛLANT DURANT LE FONCTIONNEMENT. NE PAS TOUCHER. GARDER LES ENFANTS, LES VÊTEMENTS ET L'MEUBLEMENT ÉLOIGNÉS. LE CONTACT POURRAIT CAUSER DES BRÛLURES. VOIR LA FICHE SIGNALÉTIQUE ET LES INSTRUCTIONS.

MINIMUM CLEARANCES TO COMBUSTIBLES

When installed on a combustible floor, non-combustible floor protection is required to cover the area beneath the heater and extend at least 18" (457 mm) to the front and at least 12" (305 mm) beyond each side of the front heater. The room heater shall not be less than 12" (305 mm) from the side and 2" (51 mm) from the rear to combustibles. The vent pipe must be at least 2" (51 mm) from any wall. Minimum floor-to-ceiling distance (ft) (3.04 m):

If the stove is to be installed on combustible flooring, the floor must be protected with non-installed ember board. See manual for additional information on floor protection.

SERIAL NUMBER / NUMÉRO DE SÉRIE

DATE OF MANUFACTURE / DATE DE FABRICATION

2024
 2025
 2026
 2027
 2028
 2029
 2030
 2031
 2032
 2033
 2034
 2035
 2036
 2037
 2038
 2039
 2040
 2041
 2042
 2043
 2044
 2045
 2046
 2047
 2048
 2049
 2050

DÉGAGEMENTS MINIMAUX DE MATÉRIÈRES COMBUSTIBLES

Pour installation sur un plancher combustible, le plancher non combustible doit couvrir la zone sous le poêle en dépassant d'au moins 457 mm (18") du côté avant et d'au moins 305 mm (12") de chaque côté des deux côtés du poêle avant. L'écart devant le poêle à non meublé doit être d'au moins 305 mm (12") du côté avant et de moins 51 mm (2") du côté arrière. La hauteur libre sous le poêle devant le plafond doit être d'au moins 3,04 m (10 pi) au total. La distance minimale du plancher au plafond est de 12" (305 mm) au-dessus du poêle.

S'il est prévu que le poêle sera installé sur un plancher combustible, le plancher doit être protégé par un plancher non combustible. Voir les instructions du fabricant pour plus d'informations sur les produits de planchers, voir le manuel.

REQUIREMENTS:

- To inspect timber assembly, first unplug the unit, and then remove the rear and side panels as needed and disconnect blower assembly via the covers connecting it to the heater. Remove wiring connections. Replace with new blower assembly and repeat the above steps in reverse order.
- This heater is designed to burn only high quality wood pellets with a density of 700 kg/m³ and a water content of at least 8% of the weight of the pellets. Do not use green, garden-type, wet, treated, resinous, charred, lighter fluid, or similar fuels. Keep all such liquids well away from the heater with 1 m (3 ft) clearance for additional specifications for acceptable wood pellets.
- To be installed as a hearthless space heater with the clearances in the manufacturer's installation instructions. Not to be installed in fireplaces.
- Replace glass window with ceramic single-pane glass.
- U.S. ENVIRONMENTAL PROTECTION AGENCY Certified to comply with 2009 particulate emission standards using pellet fuel.
- The wood heater needs periodic inspection and repair for proper operation. Consult the owner's manual for information. It is against federal regulations to operate the wood heater in a manner inconsistent with the operating instructions in the owner's manual.

Installation Information:

- Current: 3.3 A
- Frequency: 60 Hz
- Phase: Single 0
- Double check cord away behind and away from the unit. Do not allow the power cord to touch any hot components.
- To clean blower assembly, first disconnected power to the unit. Then remove the rear panel and use a vacuum cleaner to remove any dust accumulation on the blower blades or inside the blower duct.
- **CAUTION:** Moving Parts May Cause Injury. Do Not Operate Unit With Children Present.
- **CAUTION:** Hot Parts. Do Not Operate Unit With Children Present.
- **DANGER:** Risk of Electric Shock. Disconnect Power Before Servicing Unit.

Technical Information:

- Standard Test Method for Determination of Particulate Matter Emissions Collected by a Filter Train
- Standard Test Method for Determining Particulate Matter Emissions from Pellet Heaters
- Performance Rating of Solid Fuel-Burning Heating Appliances
- Medium Burn Rate Calculation
- Standard Test Method for Space Heaters, Pellet Fuel-Burning Type
- CALICULATED STANDARD FOR SPACE HEATERS FOR USE WITH SOLID FUEL. Also Suitable For Use In Mobile Homes.

See the latest version of these standards at www.nemko.com or www.intertek.com for more information.

U.S. Patent Pending

ENERGO GROUP, INC.
 4560 W190th Blvd, Cleveland, Ohio 44135 | 1-800-251-0001
 Manufactured in China

Technical Requirements

- Refer to the title block for all unspecified dimensional tolerances.
- For color requirements refer to the provided electronic data.
- The same batch must have color uniformity throughout.
- The label must have clear fonts, be free of curling, missing marks, chromatic aberration, and flow marks.
- Material: Etched Metal
- Background: Silver Metal; Text: Black

UNLESS OTHERWISE SPECIFIED:		NAME	DATE
DIMENSIONS ARE IN INCHES		CREATED	2022.01.13
TOLERANCES:		CZ	
TWO PLACE DECIMAL: ± .030			
THREE PLACE DECIMAL: ± .005			
HOLES: ± .004			
ANGULAR: ± 1 DEG.			
FRACTIONAL DIMENSIONS: ± 1/64			
INTERPRET GEOMETRIC TOLERANCING PER: N/A			
MATERIAL		PROPRIETARY AND CONFIDENTIAL	
SEE NOTES		THE INFORMATION CONTAINED IN THIS DRAWING IS THE SOLE PROPERTY OF ENERGO GROUP, INC. ANY REPRODUCTION IN PART OR AS A WHOLE WITHOUT THE WRITTEN PERMISSION OF ENERGO GROUP, INC. IS PROHIBITED.	
FINISH			
DO NOT SCALE DRAWING			



TITLE:			
LABEL, RATE, PELLET STOVES, MODEL J			
SIZE: A4	DWG.NO.	66753	REV
			B
SCALE: N/A	WEIGHT: N/A	SHEET 1 OF 1	

Model No / N° de modèle :

- J80XL
- J140XL
- J3W80XL

DATE OF MANUFACTURE / DATE DE FABRICATION



CAUTION: HOT WHILE IN OPERATION. DO NOT TOUCH. KEEP CHILDREN, CLOTHING, AND FURNITURE AWAY. CONTACT MAY CAUSE SKIN BURNS. SEE NAMEPLATE AND INSTRUCTIONS.

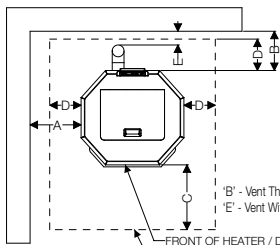


ATTENTION : BRÛLANT DURANT LE FONCTIONNEMENT. NE PAS TOUCHER. GARDER LES ENFANTS, LES VÊTEMENTS ET L'AMEUBLEMENT ÉLOIGNÉS. LE CONTACT POURRAIT CAUSER DES BRÛLURES. VOIR LA FICHE SIGNALÉTIQUE ET LES INSTRUCTIONS.

MINIMUM CLEARANCES TO COMBUSTIBLES

When installed on a combustible floor, non-combustible floor protection is required to cover the area beneath the heater and extend at least 18" (457 mm) to the front and at least 8" (203 mm) beyond each side of the room heater. The room heater shall not be less than 13" (330 mm) from the side and 2" (51 mm) from the rear to combustible materials. The vent pipe must be at least 3" (76 mm) from any wall. Minimum floor-to-ceiling distance 84" (2134 mm).

If the stove is to be installed on combustible flooring, the floor must be protected with non-insulated ember board. See manual for additional information on floor protection.



'B' - Vent Through Rear Wall / Évén à travers le mur arrière
'E' - Vent With Vertical Vent Pipe / Évén avec tuyau d'évén vertical

FRONT OF HEATER / DEVANT DU POÊLE
NON-COMBUSTIBLE FLOOR PROTECTION /
PROTECTEUR DE PLANCHER NON COMBUSTIBLE

	U.S.A.	CANADA
A	13" (330 mm)	13" (330 mm)
B	2" (51 mm)	2" (51 mm)
C	18" (457 mm)	18" (457 mm)
D	8" (203 mm)	8" (203 mm)
E	3" (76 mm)	3" (76 mm)

DÉGAGEMENTS MINIMAUX DE MATIÈRES COMBUSTIBLES

Pour installation sur un plancher combustible, une protection non combustible doit être placée sous le poêle en dépassant d'au-moins 457 mm (18 po) sur le devant et d'au-moins 203 mm (8 po) sur les trois autres côtés de l'unité. L'unité devra être placée à non moins de 51 mm (2 po) du mur arrière et devra avoir au moins 330 mm (13 po) de dégagement sur les côtés. Le tuyau d'évén devra être dégagé d'au moins 76 mm (3 po) de tout mur. Distance minimale du plancher au plafond : 2 134 mm (84 po).

S'il est prévu que le poêle sera installé sur un plancher combustible, le plancher doit être protégé par planche de braise non isolée. Pour plus d'information sur les protecteurs de planchers, voir le manuel.

	ÉTATS-UNIS	CANADA
A	13 po (330 mm)	13 po (330 mm)
B	2 po (51 mm)	2 po (51 mm)
C	18 po (457 mm)	18 po (457 mm)
D	8 po (203 mm)	8 po (203 mm)
E	3 po (76 mm)	3 po (76 mm)

**SERIAL NUMBER
NUMÉRO DE SÉRIE**

- Use a 3" (80 mm) diameter type 'L' or 'PL' venting system approved for solid fuels.
- **CAUTION:** Special methods are required when passing chimney through a wall or ceiling. Refer to manufacturer's instructions and local building codes.
- Inspect and Clean Exhaust Venting System Frequently.
- Install and Use Only in Accordance With Enerco Group, Inc.'s Installation and Operating Instructions.
- Contact Local Building or Fire Officials About Restrictions and Installation Inspection in Your Area.
- For Use With Wood Pellet Fuel Only.
- Do Not Connect This Unit to a Chimney Fuel Serving Another Appliance.
- Keep Viewing and Ash Removal Doors Tightly Closed During Operation.
- Room Heater, Pellet Fuel-Burning Type. Also Suitable For Use In Mobile Homes.

- To replace blower assembly, first unplug the unit, and then remove the rear and side panels as needed and disconnect blower assembly via the screws connecting it to the heater. Remove wiring connections. Replace with new blower assembly and repeat the above steps in reverse order.
- This heater is designed to burn only high quality wood pellets with a density of 700 kg/m³ and a water content of at least 8% of the weight of the pellets. Never use gasoline, gasoline-type lantern fuel, kerosene, charcoal lighter fluid, or similar liquids to start or 'freshen up' a fire in this heater. Keep all such liquids well away from the heater while it is in use. See manual for additional specifications for acceptable wood pellets.
- To be installed as a freestanding space heater with the clearances in the manufacturer's installation instructions. Not to be installed in any fireplace.
- Replace glass window with ceramic single-pane glass.
- U.S. ENVIRONMENTAL PROTECTION AGENCY Certified to comply with 2020 particulate emission standards using pellet fuel.

MODEL	BURN RATE (kg/hr) (dry)			PARTICULATE HIGH
	HIGH	MED	LOW	
J80XL	1.98	0.92	0.72	1.3
J140XL	2.19	1.28	0.90	1.6
J3W80XL	2.12	1.07	0.79	1.1

Electrical Information

- Voltage: 120 VAC
- Frequency: 60 Hz
- Route power cord away behind and away from the unit. Do not allow the power cord to touch any hot components.
- To clean blower assembly, first disconnect power to the unit. Then remove the rear panel and use a vacuum cleaner to remove any dust accumulation on the blower's blades or inside the blower duct.
- **CAUTION:** Moving Parts May Cause Injury. Do Not Operate Unit With Any Covers Removed.
- **CAUTION:** Hot Parts. Do Not Operate Unit With Any Components Removed.
- **DANGER:** Risk of Electric Shock. Disconnect Power Before Servicing Unit.

For Mobile Homes

- Do not obstruct combustion air openings.
- OPERATE ONLY WITH DOORS CLOSED.
- Must supply fresh air from outside mobile home via air inlet connection on the back of the heater.
- This product may be covered by one or more US or international patents or pending patent applications in the US and other countries. Please visit www.enercogroupinc.com/patents for more information.

- Utiliser un tuyau d'évén de type L ou PL de 80 mm (3 po) de diamètre approuvé pour poêles à combustible solide.
- **ATTENTION :** Un montage différent doit être réalisé pour une installation de cheminée à travers un mur ou un toit. Se référer aux directives du fabricant et au code de la construction local.
- Inspecter et nettoyer le système d'évén de sortie fréquemment.
- Installer et utiliser seulement selon le Guide d'installation et de fonctionnement de Enerco Group Inc.
- Contacter les autorités du code de la construction ou le service d'inspection pour connaître les restrictions et les usages d'approbation dans votre région.
- Pour installation avec granulés de bois seulement.
- Ne pas raccorder cette unité à une cheminée connectée à un autre appareil.
- Durant le fonctionnement, garder la porte de visionnement et la porte de retrait des cendres bien fermées. Poêle de type à granulés de bois. Adéquat pour utilisation dans les maisons mobiles.

MODÈLE	TAUX DE CONSOMMATION (g/h)			ÉMISSION DE PARTICULES (g/h)
	ÉLEVÉ	MOYEN	BAS	
J80XL	1.98	0.92	0.72	1.3
J140XL	2.19	1.28	0.90	1.6
J3W80XL	2.12	1.07	0.79	1.1

Information électrique

- Tension : 120 Vca
- Fréquence : 60 Hz
- Placer le cordon d'alimentation hors du cadre derrière en s'éloignant de l'unité. Ne pas laisser le cordon toucher toute pièce chaude.
- Avant de nettoyer le ventilateur, couper l'alimentation de l'unité. Retirer ensuite le panneau arrière et à l'aide d'un aspirateur, nettoyer toute accumulation de poussière sur les pales du ventilateur et à l'intérieur de la canalisation.
- **ATTENTION :** Les pièces mobiles peuvent causer des blessures. Ne pas faire fonctionner l'unité avec ses panneaux d'encastrement retirés.
- **ATTENTION :** Pièces chaudes. Ne pas faire fonctionner l'unité avec des pièces retirées.
- **DANGER :** Potentiel de choc électrique. Couper l'alimentation avant d'entretenir l'unité.

- Pour remplacer l'ensemble ventilateur, débrancher en premier l'unité et puis déposer le panneau arrière et, au besoin, les panneaux latéraux et dévisser l'assemblage ventilateur. Débrancher les fils raccordés. Remplacer le ventilateur par un neuf et inverser la procédure ci-dessus.
- Ce poêle est conçu pour consommer seulement des granulés de bois de qualité élevée, d'une densité de 700 kg/m³ comprenant un taux d'humidité maximal de 8 %. Ne jamais utiliser de liquide d'allumage de charbon, de kérosène, d'huile à lampe ou d'essence pour allumer ou ré-activer le feu dans cette unité. Garder toutes ces substances bien à l'écart du poêle lors de son fonctionnement. Pour d'autres spécifications de granulés de bois acceptables, se référer au manuel.
- À installer comme appareil de chauffage autonome avec les dégagements indiqués dans les instructions d'installation du fabricant. Ne doit pas être installé dans une cheminée.
- Remplacer la fenêtre vitrée par du verre de céramique à vitrage unique.
- Homologué conforme aux normes d'émission de particules de 2020 stipulées par U.S. ENVIRONMENTAL PROTECTION AGENCY, lors de l'utilisation de granulés de bois de qualité.
- Pour un bon rendement de fonctionnement ce poêle à granulés de bois nécessite un entretien périodique. Pour plus d'information, consulter le Guide du propriétaire. Toute opération ne respectant pas les directives du Guide du propriétaire contrevient à la réglementation fédérale.

Pour maisons mobiles

- Ne pas obstruer les ouvertures d'air de combustion.
- **NE FAIRE FONCTIONNER QU'AVEC LES PORTES DE L'UNITÉ FERMÉES.**
- De l'air frais de l'extérieur de la maison mobile doit être alimenté par la prise d'air à l'arrière de l'unité.
- Ce produit peut être couvert par un ou plusieurs brevets américains ou internationaux ou en instance de brevet aux États-Unis ou dans d'autres pays. Pour plus d'information, veuillez visiter www.enercogroupinc.com/patents

Reportez-vous au répertoire des produits de construction d'Intertek (<https://bpdirectory.intertek.com>) pour obtenir des informations détaillées.

Brevet Américain en Instance

ASTM E2515-2017 Standard Test Method for Determination of Particulate Matter Emissions Collected by a Dilution Tunnel
ASTM E2779-2017 Standard Test Method for Determining Particulate Matter Emissions from Pellet Heaters
CSA B415-1:22 Performance Testing of Solid-Fuel-Burning Heating Appliances
EPA AL-146 Medium Burn Rate Calculation
ASTM E1509-22 Standard Specification for Room Heaters, Pellet Fuel-Burning Type
CANULC-S627-2022 Standard For Space Heaters For Use With Solid Fuels. Also Suitable For Use In Mobile Homes



Report Number: P23-240

US Patent Pending

ASTM E2515-2017 Méthode d'essai standard pour la détermination des émissions de particules collectées par un tunnel de dilution
ASTM E2779-2017 Méthode d'essai standard pour déterminer les émissions de particules des appareils de chauffage à granulés
CSA B415-1:22 Essais de performance d'appareils de chauffage consommant un carburant solide
EPA AL-146 Calcul du taux de combustion moyen
ASTM E1509-22 Spécification standard pour les appareils de chauffage, type à granulés de bois
CANULC-S627-2022 Norme pour les appareils de chauffage à l'unité avec des combustibles solides. Convient également pour une utilisation dans les maisons mobiles

Reportez-vous au répertoire des produits de construction d'Intertek (<https://bpdirectory.intertek.com>) pour obtenir des informations détaillées.

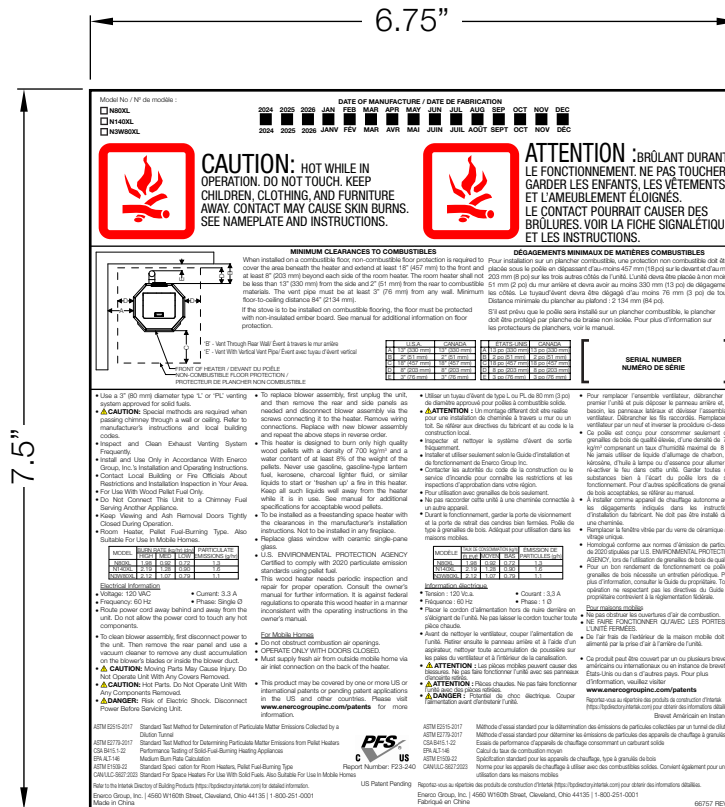
Refer to the Intertek Directory of Building Products (<https://bpdirectory.intertek.com>) for detailed information.
Enerco Group, Inc. | 4560 W160th Street, Cleveland, Ohio 44135 | 1-800-251-0001
Made in China

Enerco Group, Inc. | 4560 W160th Street, Cleveland, Ohio 44135 | 1-800-251-0001
Fabriqué en Chine

REV	DESCRIPTION OF CHANGE	DATE	CHANGED BY
A	NEW RELEASE	2022.01.13	CZ
B	Updated to PFS & New Standards	2024.02.13	CZ

F500XXX	N80XL
F500XXX	N140XL
F500XXX	N3W80XL

USED ON



Technical Requirements

- Refer to the title block for all unspecified dimensional tolerances.
- For color requirements refer to the provided electronic data.
- The same batch must have color uniformity throughout.
- The label must have clear fonts, be free of curling, missing marks, chromatic aberration, and flow marks.
- Material: Etched Metal
- Background: Silver Metal; Text: Black

UNLESS OTHERWISE SPECIFIED:	NAME	DATE
DIMENSIONS ARE IN INCHES TOLERANCES: TWO PLACE DECIMAL: ± .030 THREE PLACE DECIMAL: ± .005 HOLES: ± .004 ANGULAR: ± 1 DEG. FRACTIONAL DIMENSIONS: ± 1/64	CREATED CZ	2022.01.13
INTERPRET GEOMETRIC TOLERANCING PER: N/A	PROPRIETARY AND CONFIDENTIAL THE INFORMATION CONTAINED IN THIS DRAWING IS THE SOLE PROPERTY OF ENERCO GROUP, INC. ANY REPRODUCTION IN PART OR AS A WHOLE WITHOUT THE WRITTEN PERMISSION OF ENERCO GROUP, INC. IS PROHIBITED.	
MATERIAL SEE NOTES		
FINISH		
DO NOT SCALE DRAWING		

EGi enerco group inc. Mr Heater HEATSTAR ENERCO FLEX-TECH		
TITLE: LABEL, RATE, PELLET STOVES, MODEL N		
SIZE: A4	DWG.NO. 66757	REV B
SCALE: N/A	WEIGHT: N/A	SHEET 1 OF 1

Model No / N° de modèle :

- N80XL
 N140XL
 N3W80XL

DATE OF MANUFACTURE / DATE DE FABRICATION														
2024	2025	2026	JAN	FEB	MAR	APR	MAY	JUN	JUL	AUG	SEP	OCT	NOV	DEC
2024	2025	2026	JANV	FÉV	MAR	AVR	MAI	JUIN	JUIL	AOUT	SEPT	OCT	NOV	DÉC



CAUTION: HOT WHILE IN OPERATION. DO NOT TOUCH. KEEP CHILDREN, CLOTHING, AND FURNITURE AWAY. CONTACT MAY CAUSE SKIN BURNS. SEE NAMEPLATE AND INSTRUCTIONS.



ATTENTION : BRÛLANT DURANT LE FONCTIONNEMENT. NE PAS TOUCHER. GARDER LES ENFANTS, LES VÊTEMENTS ET L'AMEUBLEMENT ÉLOIGNÉS. LE CONTACT POURRAIT CAUSER DES BRÛLURES. VOIR LA FICHE SIGNALÉTIQUE ET LES INSTRUCTIONS.

MINIMUM CLEARANCES TO COMBUSTIBLES

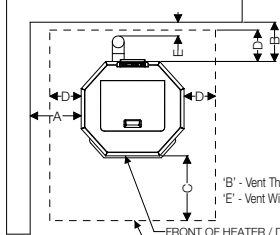
When installed on a combustible floor, non-combustible floor protection is required to cover the area beneath the heater and extend at least 18" (457 mm) to the front and at least 8" (203 mm) beyond each side of the room heater. The room heater shall not be less than 13" (330 mm) from the side and 2" (51 mm) from the rear to combustible materials. The vent pipe must be at least 3" (76 mm) from any wall. Minimum floor-to-ceiling distance 84" (2134 mm).

If the stove is to be installed on combustible flooring, the floor must be protected with non-insulated ember board. See manual for additional information on floor protection.

DÉGAGEMENTS MINIMAUX DE MATIÈRES COMBUSTIBLES

Pour installation sur un plancher combustible, une protection non combustible doit être placée sous le poêle en dépassant d'au moins 457 mm (18 po) sur le devant et d'au moins 203 mm (8 po) sur les trois autres côtés de l'unité. L'unité devra être placée à non moins de 51 mm (2 po) du mur arrière et devra avoir au moins 330 mm (13 po) de dégagement sur les côtés. Le tuyau d'évent devra être dégagé d'au moins 76 mm (3 po) de tout mur. Distance minimale du plancher au plafond : 2 134 mm (84 po).

S'il est prévu que le poêle sera installé sur un plancher combustible, le plancher doit être protégé par planche de braise non isolée. Pour plus d'information sur les protecteurs de planchers, voir le manuel.



B' - Vent Through Rear Wall / Évén à travers le mur arrière
 E' - Vent Vth Vertical Vent Pipe / Évén avec tuyau d'évent vertical
 FRONT OF HEATER / DEVANT DU POÊLE
 NON-COMBUSTIBLE FLOOR PROTECTION /
 PROTECTEUR DE PLANCHER NON COMBUSTIBLE

	U.S.A.	CANADA	ÉTATS-UNIS	CANADA
A	13" (330 mm)	13" (330 mm)	13 po (330 mm)	13 po (330 mm)
B	2" (51 mm)	2" (51 mm)	2 po (51 mm)	2 po (51 mm)
C	18" (457 mm)	18" (457 mm)	18 po (457 mm)	18 po (457 mm)
D	8" (203 mm)	8" (203 mm)	8 po (203 mm)	8 po (203 mm)
E	3" (76 mm)	3" (76 mm)	3 po (76 mm)	3 po (76 mm)

**SERIAL NUMBER
 NUMÉRO DE SÉRIE**

- Use a 3" (80 mm) diameter type 'L' or 'PL' venting system approved for solid fuels.
- CAUTION:** Special methods are required when passing chimney through a wall or ceiling. Refer to manufacturer's instructions and local building codes.
- Inspect and Clean Exhaust Venting System Frequently.
- Install and Use Only in Accordance With Enerco Group, Inc.'s Installation and Operating Instructions.
- Contact Local Building or Fire Officials About Restrictions and Installation Inspection in Your Area.
- For Use With Wood Pellet Fuel Only.
- Do Not Connect This Unit to a Chimney Fuel Serving Another Appliance.
- Keep Viewing and Ash Removal Doors Tightly Closed During Operation.
- Room Heater, Pellet Fuel-Burning Type. Also Suitable For Use In Mobile Homes.

- To replace blower assembly, first unplug the unit, and then remove the rear and side panels as needed and disconnect blower assembly via the screws connecting it to the heater. Remove wiring connections. Replace with new blower assembly and repeat the above steps in reverse order.
- This heater is designed to burn only high quality wood pellets with a density of 700 kg/m³ and a water content of at least 8% of the weight of the pellets. Never use gasoline, gasoline-type lantern fuel, kerosene, charcoal liquid fuel, or similar liquids to start or 'freshen up' a fire in this heater. Keep all such liquids well away from the heater while it is in use. See manual for additional specifications for acceptable wood pellets.
- To be installed as a freestanding space heater with the clearances in the manufacturer's installation instructions. Not to be installed in any fireplace.
- Replace glass window with ceramic single-pane glass.

- U.S. ENVIRONMENTAL PROTECTION AGENCY** Certified to comply with 2020 particulate emission standards using pellet fuel.
- This wood heater needs periodic inspection and repair for proper operation. Consult the owner's manual for further information. It is against federal regulations to operate this wood heater in a manner inconsistent with the operating instructions in the owner's manual.

For Mobile Homes

- Do not obstruct combustion air openings.
- OPERATE ONLY WITH DOORS CLOSED.**
- Must supply fresh air from outside mobile home via air inlet connection on the back of the heater.
- This product may be covered by one or more US or international patents or pending patent applications in the US and other countries. Please visit www.enercogroupinc.com/patents for more information.

- Utiliser un tuyau d'évent de type L ou PL de 80 mm (3 po) de diamètre approuvé pour poêles à combustible solide.
- ATTENTION :** Un montage différent doit être réalisé pour une installation de cheminée à travers u mur ou un toit. Se référer aux directives du fabricant et au code de la construction local.
- Inspecter et nettoyer le système d'évent de sortie fréquemment.
- Installer et utiliser seulement selon le Guide d'installation et de fonctionnement de Enerco Group Inc.
- Contacter les autorités du code de la construction ou le service d'incendie pour connaître les restrictions et les inspections d'approbation dans votre région.
- Pour utilisation avec granulés de bois seulement.
- Ne pas raccorder cette unité à une cheminée connectée à un autre appareil.
- Durant le fonctionnement, garder la porte de visionnement et la porte de retrait des cendres bien fermées. Poêle de type à granulés de bois. Adéquat pour utilisation dans les maisons mobiles.

MODÈLE	TAUX DE CONSOMMATION (g/h)			ÉMISSION DE PARTICULES (g/h)		
	HAUT	MÉD	BAIS	HAUT	MÉD	BAIS
N80XL	1.98	0.92	0.72	1.3		
N140XL	2.19	1.28	0.90	1.6		
N3W80XL	2.12	1.07	0.79	1.1		

Information électrique

- Tension : 120 Vc.a.
- Fréquence : 60 Hz
- Placer le cordon d'alimentation hors de nuire derrière en s'éloignant de l'unité. Ne pas laisser le cordon toucher toute pièce chaude.
- Avant de nettoyer le ventilateur, couper l'alimentation de l'unité. Retirer ensuite le panneau arrière et à l'aide d'un aspirateur, nettoyer toute accumulation de poussière sur les pales du ventilateur et à l'intérieur de la canalisation.
- ATTENTION :** Les pièces mobiles peuvent causer des blessures. Ne pas faire fonctionner l'unité avec ses panneaux d'accès retirés.
- ATTENTION :** Pièces chaudes. Ne pas faire fonctionner l'unité avec des pièces retirées.
- DANGER :** Potentiel de choc électrique. Couper l'alimentation avant d'entretenir l'unité.

- Pour remplacer l'ensemble ventilateur, débrancher en premier l'unité et puis déposer le panneau arrière et, au besoin, les panneaux latéraux et dévisser l'assemblage ventilateur. Débrancher les fils raccordés. Remplacer le ventilateur par un neuf et inverser la procédure ci-dessus.
- Ce poêle est conçu pour consommer seulement des granulés de bois de qualité élevée, d'une densité de 700 kg/m³ comprenant un taux d'humidité maximal de 8 %. Ne jamais utiliser de liquide d'allumage de charbon, de kérosène, d'huile à lampe ou d'essence pour allumer ou ré-activer le feu dans cette unité. Garder toutes ces substances bien à l'écart du poêle lors de son fonctionnement. Pour d'autres spécifications de granulés de bois acceptables, se référer au manuel.
- À installer comme appareil de chauffage autonome avec les dégagements indiqués dans les instructions d'installation du fabricant. Ne doit pas être installé dans une cheminée.
- Remplacer la fenêtre vitrée par du verre de céramique à vitrage unieque.
- Homologue conforme aux normes d'émission de particules de 2020 stipulées par U.S. ENVIRONMENTAL PROTECTION AGENCY, lors de l'utilisation de granulés de bois de qualité.
- Pour un bon rendement de fonctionnement ce poêle à granulés de bois nécessite un entretien périodique. Pour plus d'information, consulter le Guide du propriétaire. Toute opération ne respectant pas les directives du Guide du propriétaire contrevient à la réglementation fédérale.

Pour maisons mobiles

- Ne pas obstruer les ouvertures d'air de combustion.
- NE FAIRE FONCTIONNER QU'AVEC LES PORTES DE L'UNITÉ FERMÉES.**
- De l'air frais de l'extérieur de la maison mobile doit être alimenté par la prise d'air à l'arrière de l'unité.
- Ce produit peut être couvert par un ou plusieurs brevets américains ou internationaux ou en instance de brevet aux États-Unis ou dans s'autres pays. Pour plus d'information, veuillez visiter www.enercogroupinc.com/patents

Reportez-vous au répertoire des produits de construction d'Intertek (<https://bpdirectory.intertek.com>) pour obtenir des informations détaillées. **Brevet Américain en Instance**

MODEL	BURN RATE (kg/hr) (g/hr)			PARTICULATE EMISSIONS (g/hr)		
	HIGH	MED	LOW	HIGH	MED	LOW
N80XL	1.98	0.92	0.72	1.3		
N140XL	2.19	1.28	0.90	1.6		
N3W80XL	2.12	1.07	0.79	1.1		

Electrical Information

- Voltage: 120 VAC
- Frequency: 60 Hz
- Route power cord away behind and away from the unit. Do not allow the power cord to touch any hot components.
- To clean blower assembly, first disconnect power to the unit. Then remove the rear panel and use a vacuum cleaner to remove any dust accumulation on the blower's blades or inside the blower duct.
- CAUTION:** Moving Parts May Cause Injury. Do Not Operate Unit With Any Covers Removed.
- CAUTION:** Hot Parts. Do Not Operate Unit With Any Components Removed.
- DANGER:** Risk of Electric Shock. Disconnect Power Before Servicing Unit.

ASTM E2515-2017 Standard Test Method for Determination of Particulate Matter Emissions Collected by a Dilution Tunnel
 ASTM E2779-2017 Standard Test Method for Determining Particulate Matter Emissions from Pellet Heaters
 CSA B415.1-22 Performance Testing of Solid-Fuel-Burning Heating Appliances
 EPA ALT-146 Medium Burn Rate Calculation
 ASTM E1509-22 Standard Specification for Room Heaters, Pellet Fuel-Burning Type
 CANULC-S627:2023 Standard For Space Heaters For Use With Solid Fuels. Also Suitable For Use In Mobile Homes

Refer to the Intertek Directory of Building Products (<https://bpdirectory.intertek.com/>) for detailed information.

Enerco Group, Inc. | 4560 W160th Street, Cleveland, Ohio 44135 | 1-800-251-0001
 Made in China



US Patent Pending

ASTM E2515-2017 Méthode d'essai standard pour la détermination des émissions de particules collectées par un tunnel de dilution
 ASTM E2779-2017 Méthode d'essai standard pour déterminer les émissions de particules des appareils de chauffage à granulés
 CSA B415.1-22 Essais de performance d'appareils de chauffage consommant un carburant solide
 EPA ALT-146 Calcul du taux de combustion moyen
 ASTM E1509-22 Spécification standard pour les appareils de chauffage, type à granulés de bois
 CANULC-S627:2023 Norme pour les appareils de chauffage à utiliser avec des combustibles solides. Convient également pour une utilisation dans les maisons mobiles

Reportez-vous au répertoire des produits de construction d'Intertek (<https://bpdirectory.intertek.com/>) pour obtenir des informations détaillées.

Enerco Group, Inc. | 4560 W160th Street, Cleveland, Ohio 44135 | 1-800-251-0001
 Fabriqué en Chine

REV	DESCRIPTION OF CHANGE	DATE	CHANGED BY
A	NEW RELEASE	2022.05.13	CZ
B	Updated to PFS & New Standards	2024.02.13	CZ

FXXXXXX	J60W
FXXXXXX	J130W
FXXXXXX	JBF66W

USED ON

Model No. / N° de modèle

J60W
 J130W
 JBF66W

DATE OF MANUFACTURE / DATE DE FABRICATION

2024	2023	2022	2021	2020	2019	2018	2017	2016	2015	2014	2013	2012	2011	2010	2009	2008	2007	2006	2005	2004	

MINIMUM CLEARANCES TO COMBUSTIBLES

When installed on a combustible floor, non-combustible floor protection is required to cover the area around the heater and extend at least 18" (457 mm) to the front and at least 12" (305 mm) beyond each side of the front frame. The front frame shall not be less than 12" (305 mm) from the side and 2" (51 mm) from the rear to combustible materials. The vent pipe must be at least 3" (76 mm) from any wall. Minimum floor-to-ceiling distance for 2" (51 mm).

If the stove is to be installed on combustible flooring, the floor must be protected with non-insulated ember boxes. See manual for additional information on floor protection.

DÉGAGEMENTS MINIMAUX DE MATIÈRES COMBUSTIBLES

placée sous le poêle et dépassant d'au moins 457 mm (18 po) sur le devant et d'au moins 305 mm (12 po) au-dessus de chaque côté de la rampe avant. L'espace devant le poêle ne doit pas être inférieur à 305 mm (12 po) du mur arrière et devant avoir au moins 305 mm (12 po) de dégagement latéral. Le tuyau d'évacuation doit être éloigné d'au moins 76 mm (3 po) de tout sol ou plafond. La hauteur devant être d'au moins 2 154 mm (84 po).

Si est prévu que le poêle sera installé sur un plancher combustible, le plancher doit être protégé par des boîtes non isolées. Voir le manuel pour plus d'informations sur les protecteurs de planchers, voir le manuel.

USA	CANADA	USA	CANADA
110V/60Hz	120V/60Hz	110V/60Hz	120V/60Hz
120V/60Hz	120V/60Hz	120V/60Hz	120V/60Hz
120V/60Hz	120V/60Hz	120V/60Hz	120V/60Hz
120V/60Hz	120V/60Hz	120V/60Hz	120V/60Hz
120V/60Hz	120V/60Hz	120V/60Hz	120V/60Hz
120V/60Hz	120V/60Hz	120V/60Hz	120V/60Hz

SERIAL NUMBER / NUMÉRO DE SÉRIE

190.5 mm

171.5 mm

Use a 3" (80 mm) diameter type 1 or IP venting system supported for solid fuel.

CAUTION: Special methods are required when passing chimney through a wall or ceiling. Refer to manufacturer's instructions and local building codes.

Install and Clear Exhaust Venting System Freely.

Install and Use Only in Accordance With Enerco Group, Inc.'s Installation and Operating Instructions, Correct Local Building or Fire Official, About Restrictions and Installation Inspection in Your Area, or the local Wood Burning Fuel Code.

Do Not Connect This Unit to a Chimney Fuel Burning Another Appliance.

Keep Venting and Ash Removal Doors Tightly Closed During Operation.

Room Heater, Pellet Fuel Burning Type. Also Suitable For Use in Mobile Homes.

USC	ENRREG	ENRREG	ENRREG
110V/60Hz	120V/60Hz	110V/60Hz	120V/60Hz
120V/60Hz	120V/60Hz	120V/60Hz	120V/60Hz
120V/60Hz	120V/60Hz	120V/60Hz	120V/60Hz
120V/60Hz	120V/60Hz	120V/60Hz	120V/60Hz
120V/60Hz	120V/60Hz	120V/60Hz	120V/60Hz
120V/60Hz	120V/60Hz	120V/60Hz	120V/60Hz

Block Information

• Current: 3.0 A
• Frequency: 60 Hz
• Phase: Single
• Voltage: 120 VAC
• Do not allow the power cord to touch any hot components.

• To clean blower assembly, first disconnect power to the unit. Then remove the rear panel and use a vacuum cleaner to remove any dust accumulation on the blower blades or inside the blower duct.

CAUTION: Moving Parts May Cause Injury. Do Not Operate Unit With Any Covers Removed.

CAUTION: Hot Parts. Do Not Operate Unit With Any Components Removed.

DANGER: Risk of Electric Shock. Disconnect Power Before Servicing Unit.

U.S. ENVIRONMENTAL PROTECTION AGENCY
Certified to comply with applicable emission standards using pellet fuel.

The owner's manual needs periodic inspection and repair for proper operation. Consult the owner's manual for instructions. It is against federal regulations to operate this wood heater in a manner inconsistent with the operating instructions in the owner's manual.

For Mobile Homes

• Do not obstruct circulation air openings. OPERATE ONLY WITH DOORS CLOSED.

• Must install fresh air intake outside mobile home via fresh connection on the back of the heater.

• This product may be covered by one or more UL or International standards or pending patent applications in the US and other countries. Please visit www.ennergroupproducts.com/patents for more information.

ENERGO GROUP
15 Patent Pending
Cleveland Ironworks, a subsidiary of Enerco Group, Inc. | 4500 W160th Street, Cleveland, Ohio 44115 | 1-800-251-0001
Manufactured in China

Technical Requirements

- Refer to the title block for all unspecified dimensional tolerances.
- For color requirements refer to the provided electronic data.
- The same batch must have color uniformity throughout.
- The label must have clear fonts, be free of curling, missing marks, chromatic aberration, and flow marks.
- Material: Etched Metal
- Background: Silver Metal; Text: Black
- UL 969 Compliant

UNLESS OTHERWISE SPECIFIED:		NAME	DATE
DIMENSIONS ARE IN INCHES TOLERANCES: TWO PLACE DECIMAL: ± .030 THREE PLACE DECIMAL: ± .005 HOLES: ± .004 ANGULAR: ± 1 DEG. FRACTIONAL DIMENSIONS: ± 1/64		CREATED	CZ
INTERPRET GEOMETRIC TOLERANCING PER: N/A		2022.05.13	
MATERIAL SEE NOTES		TITLE: LABEL, RATE, PELLET STOVES, MODEL-J	
FINISH		SIZE: A4	DWG.NO. 66808
DO NOT SCALE DRAWING		REV B	
<p>PROPRIETARY AND CONFIDENTIAL THE INFORMATION CONTAINED IN THIS DRAWING IS THE SOLE PROPERTY OF ENERCO GROUP, INC. ANY REPRODUCTION IN PART OR AS A WHOLE WITHOUT THE WRITTEN PERMISSION OF ENERCO GROUP, INC. IS PROHIBITED.</p>		SCALE: N/A	WEIGHT: N/A
		SHEET 1 OF 1	



Model No / N° de modèle :

- J60W
- J130W
- JBF66W

DATE OF MANUFACTURE / DATE DE FABRICATION

2024	2025	2026	JAN	FEB	MAR	APR	MAY	JUN	JUL	AUG	SEP	OCT	NOV	DEC
2024	2025	2026	JANV	FÉV	MAR	AVR	MAI	JUIN	JUIL	AOÛT	SEPT	OCT	NOV	DÉC



CAUTION: HOT WHILE IN OPERATION. DO NOT TOUCH. KEEP CHILDREN, CLOTHING, AND FURNITURE AWAY. CONTACT MAY CAUSE SKIN BURNS. SEE NAMEPLATE AND INSTRUCTIONS.



ATTENTION : BRÛLANT DURANT LE FONCTIONNEMENT. NE PAS TOUCHER. GARDER LES ENFANTS, LES VÊTEMENTS ET L'AMEUBLEMENT ÉLOIGNÉS. LE CONTACT POURRAIT CAUSER DES BRÛLURES. VOIR LA FICHE SIGNALÉTIQUE ET LES INSTRUCTIONS.

MINIMUM CLEARANCES TO COMBUSTIBLES

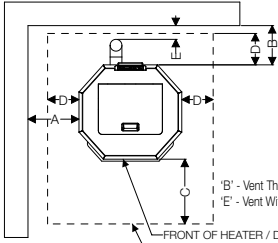
When installed on a combustible floor, non-combustible floor protection is required to cover the area beneath the heater and extend at least 18" (457 mm) to the front and at least 8" (203 mm) beyond each side of the room heater. The room heater shall not be less than 13" (330 mm) from the side and 2" (51 mm) from the rear to combustible materials. The vent pipe must be at least 3" (76 mm) from any wall. Minimum floor-to-ceiling distance 84" (2134 mm).

If the stove is to be installed on combustible flooring, the floor must be protected with non-insulated ember board. See manual for additional information on floor protection.

DÉGAGEMENTS MINIMAUX DE MATIÈRES COMBUSTIBLES

Pour installation sur un plancher combustible, une protection non combustible doit être placée sous le poêle en dépassant d'au moins 457 mm (18 po) sur le devant et d'au moins 203 mm (8 po) sur les trois autres côtés de l'unité. L'unité devra être placée à non moins de 51 mm (2 po) du mur arrière et devra avoir au moins 330 mm (13 po) de dégagement sur les côtés. Le tuyau d'évent devra être dégagé d'au moins 76 mm (3 po) de tout mur. Distance minimale du plancher au plafond : 2 134 mm (84 po).

S'il est prévu que le poêle sera installé sur un plancher combustible, le plancher doit être protégé par planche de braise non isolée. Pour plus d'information sur les protecteurs de planchers, voir le manuel.



'B' - Vent Through Rear Wall / Évén à travers le mur arrière
'E' - Vent With Vertical Vent Pipe / Évén avec tuyau d'évent vertical

FRONT OF HEATER / DEVANT DU POËLE
NON-COMBUSTIBLE FLOOR PROTECTION /
PROTECTEUR DE PLANCHER NON COMBUSTIBLE

	U.S.A.	CANADA	ÉTATS-UNIS	CANADA
A	13" (330 mm)	13" (330 mm)	A 13 po (330 mm)	13 po (330 mm)
B	2" (51 mm)	2" (51 mm)	B 2 po (51 mm)	2 po (51 mm)
C	18" (457 mm)	18" (457 mm)	C 18 po (457 mm)	18 po (457 mm)
D	8" (203 mm)	8" (203 mm)	D 8 po (203 mm)	8 po (203 mm)
E	3" (76 mm)	3" (76 mm)	E 3 po (76 mm)	3 po (76 mm)

SERIAL NUMBER
NUMÉRO DE SÉRIE

- Use a 3" (80 mm) diameter type 'L' or 'PL' venting system approved for solid fuels.
- **CAUTION:** Special methods are required when passing chimney through a wall or ceiling. Refer to manufacturer's instructions and local building codes.
- Inspect and Clean Exhaust Venting System Frequently.
- Install and Use Only in Accordance With Enerco Group, Inc.'s Installation and Operating Instructions.
- Contact Local Building or Fire Officials About Restrictions and Installation Inspection in Your Area.
- For Use With Wood Pellet Fuel Only.
- Do Not Connect This Unit to a Chimney Fuel Serving Another Appliance.
- Keep Viewing and Ash Removal Doors Tightly Closed During Operation.
- Room Heater, Pellet Fuel-Burning Type. Also Suitable For Use In Mobile Homes.

- To replace blower assembly, first unplug the unit, and then remove the rear and side panels as needed and disconnect blower assembly via the screws connecting it to the heater. Remove wiring connections. Replace with the new blower assembly and repeat the above steps in reverse order.
- This heater is designed to burn only high quality wood pellets with a density of 700 kg/m³ and a water content of at least 8% of the weight of the pellets. Never use gasoline, gasoline-type lantern fuel, kerosene, charcoal lighter fluid, or similar liquids to start or 'freshen up' a fire in this heater. Keep all such liquids well away from the heater while it is in use. See manual for additional specifications for acceptable wood pellets.
- To be installed as a freestanding space heater with the clearances in the manufacturer's installation instructions. Not to be installed in any fireplace.
- Replace glass window with ceramic single-pane glass.
- U.S. ENVIRONMENTAL PROTECTION AGENCY Certified to comply with 2020 particulate emission standards using pellet fuel.
- This wood heater needs periodic inspection and repair for proper operation. Consult the owner's manual for further information. It is against federal regulations to operate this wood heater in a manner inconsistent with the operating instructions in the owner's manual.

For Mobile Homes

- Do not obstruct combustion air openings.
- OPERATE ONLY WITH DOORS CLOSED.
- Must supply fresh air from outside mobile home via air inlet connection on the back of the heater.
- This product may be covered by one or more US or international patents or pending patent applications in the US and other countries. Please visit www.enercogroupinc.com/patents for more information.

- Utiliser un tuyau d'évent de type L ou PL de 80 mm (3 po) de diamètre approuvé pour poêles à combustible solide.
- **ATTENTION :** Un montage différent doit être réalisé pour une installation de cheminée à travers un mur ou un toit. Se référer aux directives du fabricant et au code de la construction local.
- Inspecter et nettoyer le système d'évent de sortie fréquemment.
- Installer et utiliser seulement selon le Guide d'installation et de fonctionnement de Enerco Group Inc.
- Contacter les autorités du code de la construction ou le service d'incendie pour connaître les restrictions et les inspections d'approbation dans votre région.
- Pour utilisation avec granulés de bois seulement.
- Ne pas raccorder cette unité à une cheminée connectée à un autre appareil.
- Durant le fonctionnement, garder la porte de visionnement et la porte de retrait des cendres bien fermées. Poêle de type à granulés de bois. Adéquat pour utilisation dans les maisons mobiles.

- Pour remplacer l'ensemble ventilateur, débrancher en premier l'unité et puis déposer le panneau arrière et, au besoin, les panneaux latéraux et dévisser l'assemblage ventilateur. Débrancher les fils raccordés. Remplacer le ventilateur par un neuf et inverser la procédure ci-dessus.
- Ce poêle est conçu pour consommer seulement des granulés de bois de qualité élevée, d'une densité de 700 kg/m³ comprenant un taux d'humidité maximal de 8 %. Ne jamais utiliser de liquide d'allumage de charbon, de kérosène, d'huile à lampe ou d'essence pour allumer ou ré-activer le feu dans cette unité. Garder toutes ces substances bien à l'écart du poêle lors de son fonctionnement. Pour d'autres spécifications de granulés de bois acceptables, se référer au manuel.
- À installer comme appareil de chauffage autonome avec les dégagements indiqués dans les instructions d'installation du fabricant. Ne doit pas être installé dans une cheminée.
- Remplacer la fenêtre vitrée par du verre de céramique à vitrage unique.
- Homologué conforme aux normes d'émission de particules de 2020 stipulées par U.S. ENVIRONMENTAL PROTECTION AGENCY, lors de l'utilisation de granulés de bois de qualité.
- Pour un bon rendement de fonctionnement ce poêle à granulés de bois nécessite un entretien propriétaire. Pour plus d'information, consulter le Guide du propriétaire. Toute opération ne respectant pas les directives du Guide du propriétaire contrevient à la réglementation fédérale.

NE FAIRE FONCTIONNER QU'AVEC LES PORTES DE L'UNITÉ FERMÉES.

De l'air frais de l'extérieur de la maison mobile doit être alimenté par la prise d'air à l'arrière de l'unité.

Ce produit peut être couvert par un ou plusieurs brevets américains ou internationaux ou en instance de brevet aux États-Unis ou dans s'autres pays. Pour plus d'information, veuillez visiter www.enercogroupinc.com/patents Reportez-vous au répertoire des produits de construction d'Intertek (<https://bpdirectory.intertek.com>) pour obtenir des informations détaillées.

Brevet Américain en Instance

MODEL	BURN RATE (kg/hr) (gpy)	PARTICULATE EMISSIONS (g/hr)		
	HIGH	MED	LOW	
J60W	1.98	0.92	0.72	1.3
J130W	2.19	1.28	0.90	1.6
JBF66W	2.12	1.07	0.79	1.1

Electrical Information

- Voltage: 120 VAC
- Frequency: 60 Hz
- Route power cord away behind and away from the unit. Do not allow the power cord to touch any hot components.
- To clean blower assembly, first disconnect power to the unit. Then remove the rear panel and use a vacuum cleaner to remove any dust accumulation on the blower's blades or inside the blower duct.
- **CAUTION:** Moving Parts May Cause Injury. Do Not Operate Unit With Any Covers Removed.
- **CAUTION:** Hot Parts. Do Not Operate Unit With Any Components Removed.
- **DANGER:** Risk of Electric Shock. Disconnect Power Before Servicing Unit.

MODÈLE	TAUX DE CONSOMMATION (kg/h)	ÉMISSION DE PARTICULES (g/h)		
	ÉLEVÉ	MOYEN	BAS	
J60W	1.98	0.92	0.72	1.3
J130W	2.19	1.28	0.90	1.6
JBF66W	2.12	1.07	0.79	1.1

Information électrique

- Tension : 120 V.c.a.
- Fréquence : 60 Hz
- Placer le cordon d'alimentation hors de nuire derrière en s'éloignant de l'unité. Ne pas laisser le cordon toucher toute pièce chaude.
- Avant de nettoyer le ventilateur, couper l'alimentation de l'unité. Retirer ensuite le panneau arrière et à l'aide d'un aspirateur, nettoyer toute accumulation de poussière sur les pales du ventilateur et à l'intérieur de la canalisation.
- **ATTENTION :** Les pièces mobiles peuvent causer des blessures. Ne pas faire fonctionner l'unité avec ses panneaux d'encastres retirés.
- **ATTENTION :** Parties chaudes. Ne pas faire fonctionner l'unité avec des pièces retirées.
- **DANGER :** Potentiel de choc électrique. Couper l'alimentation avant d'entretenir l'unité.

ASTM E2515-2017 Standard Test Method for Determination of Particulate Matter Emissions Collected by a Dilution Tunnel
ASTM E2779-2017 Standard Test Method for Determining Particulate Matter Emissions from Pellet Heaters
CSA B415.1-22 Performance Testing of Solid-Fuel-Burning Heating Appliances
EPA ALT-146 Medium Burn Rate Calculation
ASTM E1509-22 Standard Specification for Room Heaters, Pellet Fuel-Burning Type
CAN/ULC-S627-2023 Standard For Space Heaters For Use With Solid Fuels. Also Suitable For Use In Mobile Homes
Refer to the Intertek Directory of Building Products (<https://bpdirectory.intertek.com>) for detailed information.



Report Number: F23-2/24

US Patent Pending

ASTM E2515-2017 Méthode d'essai standard pour la détermination des émissions de particules collectées par un tunnel de dilution
ASTM E2779-2017 Méthode d'essai standard pour déterminer les émissions de particules des appareils de chauffage à granulés
CSA B415.1-22 Essais de performance d'appareils de chauffage consommant un carburant solide
EPA ALT-146 Calcul du taux de combustion moyen
ASTM E1509-22 Spécification standard pour les appareils de chauffage, type à granulés de bois
CAN/ULC-S627-2023 Norme pour les appareils de chauffage à utiliser avec des combustibles solides. Convient également pour une utilisation dans les maisons mobiles
Reportez-vous au répertoire des produits de construction d'Intertek (<https://bpdirectory.intertek.com>) pour obtenir des informations détaillées.
Cleveland Ironworks, a subsidiary of Enerco Group, Inc. | 4560 W160th Street, Cleveland, Ohio 44135 | 1-800-251-0001
Fabriqué en Chine
68808 REV B

REV	DESCRIPTION OF CHANGE	DATE	CHANGED BY
A	NEW RELEASE	2022.05.13	CZ
B	Updated to PFS & New Standards	2024.02.13	CZ

FXXXXXX	N60W
FXXXXXX	N130W
FXXXXXX	NBF66W

USED ON

190.5 mm

171.5 mm

190.5 mm

Model No / N° de modèle:
 N60W
 N130W
 NBF66W

DATE OF MANUFACTURE / DATE DE FABRICATION											
JAN	FEB	MAR	APR	MAY	JUN	JUL	AUG	SEP	OCT	NOV	DEC

CAUTION: HOT WHILE IN OPERATION. DO NOT TOUCH. KEEP CHILDREN, CLOTHING, AND FURNITURE AWAY. CONTACT MAY CAUSE SKIN BURNS. SEE NAMEPLATE AND INSTRUCTIONS.

MINIMUM CLEARANCES TO COMBUSTIBLES

When installed on a combustible floor, non-combustible floor protection is required to cover the area between the heater and extend at least 18" (457 mm) to the front and at least 8" (203 mm) beyond each side of the room heater. The room heater must be at least 12" (305 mm) from the side and 2" (51 mm) from the rear to combustible materials. The vent pipe must be at least 3" (76 mm) from any wall. Minimum clearance distance is (2134 mm).

If the heater is to be installed on combustible flooring, the floor must be protected with non-inflamed ember boards. See manual for additional information on floor protection.

1" Vent Through Rear Wall Ext'd à bas de la mur arrière
 1" VENT THROUGH REAR WALL EXT'D à bas de la mur arrière

ATTENTION : BRÛLANT DURANT LE FONCTIONNEMENT. NE PAS TOUCHER. GARDER LES ENFANTS, LES VÊTEMENTS ET L'AMEUBLEMENT ÉLOIGNÉS. LE CONTACT POURRAIT CAUSER DES BRÛLURES. VOIR LA FICHE SIGNALÉTIQUE ET LES INSTRUCTIONS.

DÉGAGEMENTS MINIMUMS À MATIÈRES COMBUSTIBLES

Pour installation sur un plancher combustible, une protection non combustible doit être placée sous le chauffage à bois et s'étendre d'au moins 457 mm (18 po) devant le chauffage et d'au moins 203 mm (8 po) sur les trois autres côtés du foyer. L'unité devra être placée à au moins 12 po (305 mm) de la paroi latérale et à au moins 2 po (51 mm) de la paroi arrière. L'écart devant être d'au moins 76 mm (3 po) de tout mur. La hauteur d'air devant être d'au moins 1905 mm (75 po) de dégagement au-dessus du foyer. La hauteur d'air devant être d'au moins 76 mm (3 po) de tout mur. L'écart devant être d'au moins 76 mm (3 po) de tout mur.

Si l'unité est prévue pour être installée sur un plancher combustible, le plancher doit être protégé par des planches de base non inflammables. Pour plus d'informations sur les procédures de planchers, voir le manuel.

HEATER / CHAUFFAGE À BOIS
 NON-COMBUSTIBLE FLOOR PROTECTION / PROTECTION DE FOND NON-COMBUSTIBLE

TYPE	PROVISEUR	DATE DE FABRICATION	PROVISEUR
0000	0000	0000	0000
0000	0000	0000	0000
0000	0000	0000	0000

SERIAL NUMBER / NUMÉRO DE SÉRIE

• Use a 3" (80 mm) diameter type 1L or PL venting system approved for solid fuels.

• **CAUTION:** Special methods are required when passing chimney through a wall or ceiling. Refer to manufacturer's instructions and local building codes.

• Inspect and Clean Exhaust Venting System Regularly and Use Only in Accordance With Enerco Group, Inc.'s Installation and Operating Instructions.

• Contact Local Building or Fire Officials About Restrictions and Installation Inspection in Your Area.

• Use Only With Wood Pellet Fuel Only.

• Do Not Connect This Unit to a Chimney Fuel Supply Another Appliance.

• Keep Venting and Ash Removal Doors Tightly Closed During Operation.

• Room Heater, Pellet Fuel-Burning Type. Also Suitable For Use in Mobile Homes.

MODEL	NET WEIGHT (LBS)	GROSS WEIGHT (LBS)	PARTICULATE MATTER (PPHM)
N60W	11.3	12.9	1.0
N130W	11.3	12.9	1.0
NBF66W	11.3	12.9	1.0

Electrical Information:

• Voltage: 120 VAC
 • Frequency: 60 Hz
 • Heater power cord always behind and away from the unit. Do not allow the power cord to touch any hot components.

• To clean blower assembly, first disconnect power to the unit. Then remove the rear panel and use a vacuum cleaner to remove any dust accumulation on the blower's blades or inside the blower duct.

• **CAUTION:** Moving Parts May Cause Injury. Do Not Operate Unit With Any Covers Removed.

• **CAUTION:** Hot Parts, Do Not Operate Unit With Any Components Removed.

• **DANGER:** Risk of Electric Shock. Disconnect Power Before Servicing Unit.

• To replace blower assembly, first unplug the unit, and then remove the rear and side panels as needed and disconnect blower assembly via the screws connecting it to the heater. Remove blower connections. Replace with new blower assembly and repeat the above steps in reverse order.

• The heater is designed to burn only high quality wood pellets with a density of 700 kg/m³ and a water content of at least 8% of the weight of the pellets. Never use gasoline, gasoline-type kerosene fuel, kerosene, lighter fluid, or similar liquids to start or "reheat" up a fire in the heater while it is in use. See manual for additional specifications for acceptable wood pellets.

• To be installed as a heating space heater with the clearances in the manufacturer's installation instructions. Not to be installed in any fireplace.

• Replace glass window with ceramic single-pane glass.

• U.S. ENVIRONMENTAL PROTECTION AGENCY Certified to comply with 2020 particulate emission standards using pellet fuel.

This wood heater needs periodic inspection and repair for proper operation. Consult the owner's manual for further information. It is against federal regulations to operate this wood heater if a repair inconsistent with the operating instructions in the owner's manual.

Do Not Operate:

• Do not obstruct combustion air openings.
 • OPERATE ONLY WITH DOOR(S) CLOSED.

• Must securely fasten air from outside mobile home via an inlet connection on the back of the heater.

• This product may be covered by one or more UL or international patents or pending patent applications in the US and other countries. Please visit www.enercogroup.com/patents for more information.

Technical Requirements

- Refer to the title block for all unspecified dimensional tolerances.
- For color requirements refer to the provided electronic data.
- The same batch must have color uniformity throughout.
- The label must have clear fonts, be free of curling, missing marks, chromatic aberration, and flow marks.
- Material: Etched Metal
- Background: Silver Metal; Text: Black
- UL 969 Compliant

UNLESS OTHERWISE SPECIFIED:		NAME	DATE
DIMENSIONS ARE IN INCHES TOLERANCES: TWO PLACE DECIMAL: ± .030 THREE PLACE DECIMAL: ± .005 HOLES: ± .004 ANGULAR: ± 1 DEG. FRACTIONAL DIMENSIONS: ± 1/64		CREATED	CZ 2022.05.13
INTERPRET GEOMETRIC TOLERANCING PER: N/A		<p style="text-align: center; font-weight: bold;">EGi enerco group inc.</p> <p style="text-align: center; font-weight: bold;">Mr Heater HEATSTAR ENERCO FLEX-TECH</p> <p style="text-align: center; font-size: 24px; font-weight: bold;">TITLE:</p> <p style="text-align: center; font-size: 24px; font-weight: bold;">LABEL, RATE, PELLET STOVES, MODEL-N</p>	
MATERIAL SEE NOTES			
FINISH		<p style="text-align: center; font-size: 24px; font-weight: bold;">SIZE: A4</p> <p style="text-align: center; font-size: 24px; font-weight: bold;">DWG.NO. 66812</p> <p style="text-align: center; font-size: 24px; font-weight: bold;">REV B</p>	
DO NOT SCALE DRAWING			
PROPRIETARY AND CONFIDENTIAL THE INFORMATION CONTAINED IN THIS DRAWING IS THE SOLE PROPERTY OF ENERCO GROUP, INC. ANY REPRODUCTION IN PART OR AS A WHOLE WITHOUT THE WRITTEN PERMISSION OF ENERCO GROUP, INC. IS PROHIBITED.		<p style="text-align: center; font-size: 24px; font-weight: bold;">SCALE: N/A</p> <p style="text-align: center; font-size: 24px; font-weight: bold;">WEIGHT: N/A</p> <p style="text-align: center; font-size: 24px; font-weight: bold;">SHEET 1 OF 1</p>	

Model No / N° de modèle :

- N65W
- N130W
- NBF66W

DATE OF MANUFACTURE / DATE DE FABRICATION

2024	2025	2026	JAN	FEB	MAR	APR	MAY	JUN	JUL	AUG	SEP	OCT	NOV	DEC
2024	2025	2026	JANV	FÉV	MAR	AVR	MAI	JUIN	JUIL	AOÛT	SEPT	OCT	NOV	DÉC



CAUTION: HOT WHILE IN OPERATION. DO NOT TOUCH. KEEP CHILDREN, CLOTHING, AND FURNITURE AWAY. CONTACT MAY CAUSE SKIN BURNS. SEE NAMEPLATE AND INSTRUCTIONS.



ATTENTION : BRÛLANT DURANT LE FONCTIONNEMENT. NE PAS TOUCHER. GARDER LES ENFANTS, LES VÊTEMENTS ET L'AMEUBLEMENT ÉLOIGNÉS. LE CONTACT POURRAIT CAUSER DES BRÛLURES. VOIR LA FICHE SIGNALÉTIQUE ET LES INSTRUCTIONS.

MINIMUM CLEARANCES TO COMBUSTIBLES

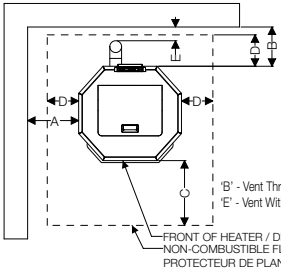
When installed on a combustible floor, non-combustible floor protection is required to cover the area beneath the heater and extend at least 18" (457 mm) to the front and at least 8" (203 mm) beyond each side of the room heater. The room heater shall not be less than 13" (330 mm) from the side and 2" (51 mm) from the rear to combustible materials. The vent pipe must be at least 3" (76 mm) from any wall. Minimum floor-to-ceiling distance 84" (2134 mm).

If the stove is to be installed on combustible flooring, the floor must be protected with non-insulated ember board. See manual for additional information on floor protection.

DÉGAGEMENTS MINIMAUX DE MATIÈRES COMBUSTIBLES

Pour installation sur un plancher combustible, une protection non combustible doit être placée sous le poêle en dépassant d'au-moins 457 mm (18 po) sur le devant et d'au moins 203 mm (8 po) sur les trois autres côtés de l'unité. L'unité devra être placée à non moins de 51 mm (2 po) du mur arrière et devra avoir au moins 330 mm (13 po) de dégagement sur les côtés. Le tuyau d'évent devra être dégagé d'au moins 76 mm (3 po) de tout mur. Distance minimale du plancher au plafond : 2 134 mm (84 po).

S'il est prévu que le poêle sera installé sur un plancher combustible, le plancher doit être protégé par planche de braise non isolée. Pour plus d'information sur les protecteurs de planchers, voir le manuel.



	U.S.A.	CANADA	ÉTATS-UNIS	CANADA
A	13" (330 mm)	13" (330 mm)	A 13 po (330 mm)	13 po (330 mm)
B	2" (51 mm)	2" (51 mm)	B 2 po (51 mm)	2 po (51 mm)
C	18" (457 mm)	18" (457 mm)	C 18 po (457 mm)	18 po (457 mm)
D	8" (203 mm)	8" (203 mm)	D 8 po (203 mm)	8 po (203 mm)
E	3" (76 mm)	3" (76 mm)	E 3 po (76 mm)	3 po (76 mm)

**SERIAL NUMBER
NUMÉRO DE SÉRIE**

- Use a 3" (80 mm) diameter type 'L' or 'PL' venting system approved for solid fuels.
- **CAUTION:** Special methods are required when passing chimney through a wall or ceiling. Refer to manufacturer's instructions and local building codes.
- Inspect and Clean Exhaust Venting System Frequently.
- Install and Use Only in Accordance With Enerco Group, Inc.'s Installation and Operating Instructions.
- Contact Local Building or Fire Officials About Restrictions and Installation Inspection in Your Area.
- For Use With Wood Pellet Fuel Only.
- Do Not Connect This Unit to a Chimney Fuel Serving Another Appliance.
- Keep Viewing and Ash Removal Doors Tightly Closed During Operation.
- Room Heater, Pellet Fuel-Burning Type. Also Suitable For Use in Mobile Homes.

- To replace blower assembly, first unplug the unit, and then remove the rear and side panels as needed and disconnect blower assembly via the screws connecting it to the heater. Remove wiring connections. Replace with new blower assembly and repeat the above steps in reverse order.
- This heater is designed to burn only high quality wood pellets with a density of 700 kg/m³ and a water content of at least 8% of the weight of the pellets. Never use gasoline, gasoline-type lantern fuel, kerosene, charcoal lighter fluid, or similar liquids to start or "freshen up" a fire in this heater. Keep all such liquids well away from the heater while it is in use. See manual for additional specifications for acceptable wood pellets.
- To be installed as a freestanding space heater with the clearances in the manufacturer's installation instructions. Do not be installed in any fireplace.
- Replace glass window with ceramic single-pane glass.

- Utiliser un tuyau d'évent de type L ou PL de 80 mm (3 po) de diamètre approuvé pour poêles à combustible solide.
- **ATTENTION :** Un montage différent doit être réalisé pour une installation de cheminée à travers un mur ou un toit. Se référer aux directives du fabricant et au code de la construction local.
- Inspecter et nettoyer le système d'évent de sortie fréquemment.
- Installer et utiliser seulement selon le Guide d'installation et de fonctionnement de Enerco Group Inc.
- Contacter les autorités du code de la construction ou le service d'incendie pour connaître les restrictions et les inspections d'approbation dans votre région.
- Pour utilisation avec granulés de bois seulement.
- Ne pas raccorder cette unité à une cheminée connectée à un autre appareil.
- Durant le fonctionnement, garder la porte de visionnement et la porte de retrait des cendres bien fermées. Poêle de type à granulés de bois. Adéquat pour utilisation dans les maisons mobiles.

- Pour remplacer l'ensemble ventilateur, débrancher en premier l'unité et puis déposer le panneau arrière et, au besoin, les panneaux latéraux et dévisser l'assemblage ventilateur. Débrancher les fils raccordés. Remplacer le ventilateur par un neuf et inverser la procédure ci-dessus.
- Ce poêle est conçu pour consommer seulement des granulés de bois de qualité élevée, d'une densité de 700 kg/m³ comprenant un taux d'humidité maximal de 8 %. Ne jamais utiliser de liquide d'allumage de charbon, de kérosène, d'huile à lampe ou d'essence pour allumer ou ré-activer le feu dans cette unité. Garder toutes ces substances bien à l'écart du poêle lors de son fonctionnement. Pour d'autres spécifications de granulés de bois acceptables, se référer au manuel.
- À installer comme appareil de chauffage autonome avec les dégagements indiqués dans les instructions d'installation du fabricant. Ne doit pas être installé dans une cheminée.
- Remplacer la fenêtre vitrée par du verre de céramique à vitrage unique.
- Homologué conforme aux normes d'émission de particules de 2020 stipulées par U.S. ENVIRONMENTAL PROTECTION AGENCY, lors de l'utilisation de granulés de bois de qualité. Pour un bon rendement de fonctionnement ce poêle à granulés de bois nécessite un entretien périodique. Pour plus d'information, consulter le Guide du propriétaire. Toute opération ne respectant pas les directives du Guide du propriétaire contrevient à la réglementation fédérale.

MODEL	BURN RATE (kg/hr) (dry)			PARTICULATE EMISSIONS (g/hr)
	HIGH	MED	LOW	
N65W	1.98	0.92	0.72	1.3
N130W	2.19	1.28	0.90	1.6
NBF66W	2.12	1.07	0.79	1.1

MODÈLE	TAUX DE CONSOMMATION (kg/h)			ÉMISSION DE PARTICULES (g/h)
	ÉLEVÉ	MOYEN	BAS	
N65W	1.98	0.92	0.72	1.3
N130W	2.19	1.28	0.90	1.6
NBF66W	2.12	1.07	0.79	1.1

Electrical Information

- Voltage: 120 VAC
- Current: 3.3 A
- Frequency: 60 Hz
- Phase: Single Ø
- Route power cord away behind and away from the unit. Do not allow the power cord to touch any hot components.
- To clean blower assembly, first disconnect power to the unit. Then remove the rear panel and use a vacuum cleaner to remove any dust accumulation on the blower's blades or inside the blower duct.
- **CAUTION:** Moving Parts May Cause Injury. Do Not Operate Unit With Any Covers Removed.
- **CAUTION:** Hot Parts. Do Not Operate Unit With Any Components Removed.
- **DANGER:** Risk of Electric Shock. Disconnect Power Before Servicing Unit.

U.S. ENVIRONMENTAL PROTECTION AGENCY Certified to comply with 2020 particulate emission standards using pellet fuel.

This wood heater needs periodic inspection and repair for proper operation. Consult the owner's manual for further information. It is against federal regulations to operate this wood heater in a manner inconsistent with the operating instructions in the owner's manual.

For Mobile Homes

- Do not obstruct combustion air openings.
- OPERATE ONLY WITH DOORS CLOSED.
- Must supply fresh air from outside mobile home via air inlet connection on the back of the heater.
- This product may be covered by one or more US or international patents or pending patent applications in the US and other countries. Please visit www.enercogroupinc.com/patents for more information.

Information électrique

- Tension : 120 Vc.a.
- Courant : 3,3 A
- Fréquence : 60 Hz
- Phase : 1 Ø
- Placer le cordon d'alimentation hors de vue derrière en s'éloignant de l'unité. Ne pas laisser le cordon toucher toute pièce chaude.
- Avant de nettoyer le ventilateur, couper l'alimentation de l'unité. Retirer ensuite le panneau arrière et à l'aide d'un aspirateur, nettoyer toute accumulation de poussière sur les pales du ventilateur et à l'intérieur de la canalisation.
- **ATTENTION :** Les pièces mobiles peuvent causer des blessures. Ne pas faire fonctionner l'unité avec des pièces retirées.
- **ATTENTION :** Pièces chaudes. Ne pas faire fonctionner l'unité avec des pièces retirées.
- **DANGER :** Potentiel de choc électrique. Couper l'alimentation avant d'entretenir l'unité.

Pour maisons mobiles

- Ne pas obstruer les ouvertures d'air de combustion.
- NE FAIRE FONCTIONNER QU'AVEC LES PORTES DE L'UNITÉ FERMÉES.
- De l'air frais de l'extérieur de la maison mobile doit être alimenté par la prise d'air à l'arrière de l'unité.
- Ce produit peut être couvert par un ou plusieurs brevets américains ou internationaux ou en instance de brevet aux États-Unis ou dans s'autres pays. Pour plus d'information, veuillez visiter www.enercogroupinc.com/patents Reportez-vous au répertoire des produits de construction d'Intertek (<https://bpdirectory.intertek.com>) pour obtenir des informations détaillées.

ASTM E2515-2017 Standard Test Method for Determination of Particulate Matter Emissions Collected by a Dilution Tunnel
 ASTM E2779-2017 Standard Test Method for Determining Particulate Matter Emissions from Pellet Heaters
 CSA B415-1:22 Performance Testing of Solid-Fuel-Burning Heating Appliances
 EPA ALI-146 Medium Burn Rate Calculation
 ASTM E1509-22 Standard Specification for Room Heaters, Pellet Fuel-Burning Type
 CAN/ULC-S627-2023 Standard For Space Heaters For Use With Solid Fuels. Also Suitable For Use in Mobile Homes
 Refer to the Intertek Directory of Building Products (<https://bpdirectory.intertek.com>) for detailed information.



US Patent Pending

ASTM E2515-2017 Méthode d'essai standard pour la détermination des émissions de particules collectées par un tunnel de dilution
 ASTM E2779-2017 Méthode d'essai standard pour déterminer les émissions de particules des appareils de chauffage à granulés
 CSA B415-1:22 Essais de performance d'appareils de chauffage consommant un carburant solide
 EPA ALI-146 Calcul du taux de combustion moyen
 ASTM E1509-22 Spécification standard pour les appareils de chauffage, type à granulés de bois
 CAN/ULC-S627-2023 Norme pour les appareils de chauffage à utiliser avec des combustibles solides. Convient également pour une utilisation dans les maisons mobiles
 Reportez-vous au répertoire des produits de construction d'Intertek (<https://bpdirectory.intertek.com>) pour obtenir des informations détaillées.

REV	DESCRIPTION OF CHANGE	DATE	CHANGED BY
A	NEW RELEASE	2022.05.13	CZ
B	Updated to PFS & New Standards	2024.02.13	CZ

FXXXXXX	H60W
FXXXXXX	H130W
FXXXXXX	HBF66W

USED ON

190.5 mm

Model No./N° de modèle		DATE OF MANUFACTURE / DATE DE FABRICATION																																														
<input type="checkbox"/> H60W <input type="checkbox"/> H130W <input type="checkbox"/> HBF66W	<table border="1" style="width: 100%; text-align: center;"> <tr> <td>2024</td><td>2023</td><td>2022</td><td>2021</td><td>2020</td><td>2019</td><td>2018</td><td>2017</td><td>2016</td><td>2015</td><td>2014</td><td>2013</td><td>2012</td><td>2011</td><td>2010</td><td>2009</td><td>2008</td><td>2007</td><td>2006</td><td>2005</td><td>2004</td> </tr> <tr> <td>JAN</td><td>FEB</td><td>MAR</td><td>APR</td><td>MAY</td><td>JUN</td><td>JUL</td><td>AUG</td><td>SEPT</td><td>OCT</td><td>NOV</td><td>DEC</td><td>JAN</td><td>FEB</td><td>MAR</td><td>APR</td><td>MAY</td><td>JUN</td><td>JUL</td><td>AUG</td><td>SEPT</td><td>OCT</td><td>NOV</td><td>DEC</td> </tr> </table>	2024	2023	2022	2021	2020	2019	2018	2017	2016	2015	2014	2013	2012	2011	2010	2009	2008	2007	2006	2005	2004	JAN	FEB	MAR	APR	MAY	JUN	JUL	AUG	SEPT	OCT	NOV	DEC	JAN	FEB	MAR	APR	MAY	JUN	JUL	AUG	SEPT	OCT	NOV	DEC		
2024	2023	2022	2021	2020	2019	2018	2017	2016	2015	2014	2013	2012	2011	2010	2009	2008	2007	2006	2005	2004																												
JAN	FEB	MAR	APR	MAY	JUN	JUL	AUG	SEPT	OCT	NOV	DEC	JAN	FEB	MAR	APR	MAY	JUN	JUL	AUG	SEPT	OCT	NOV	DEC																									

CAUTION: HOT WHILE IN OPERATION. DO NOT TOUCH. KEEP CHILDREN, CLOTHING, AND FURNITURE AWAY. CONTACT MAY CAUSE SKIN BURNS. SEE NAMEPLATE AND INSTRUCTIONS.

ATTENTION : BRÛLANT DURANT LE FONCTIONNEMENT. NE PAS TOUCHER. GARDER LES ENFANTS, LES VÊTEMENTS ET L'AMEUBLEMENT ÉLOIGNÉS. LE CONTACT POURRAIT CAUSER DES BRÛLURES. VOIR LA FICHE SIGNALÉTIQUE ET LES INSTRUCTIONS.

MINIMUM CLEARANCES TO COMBUSTIBLES

When installed on a combustible floor, non-combustible floor protection is required to cover the area beneath the heater and extend at least 18" (457 mm) to the front and at least 9" (229 mm) beyond each side of the room heater. The room heater shall not be less than 12" (305 mm) from the side and 2" (51 mm) from the rear to combustible materials. The vent pipe must be at least 3" (76 mm) from any wall. Minimum floor-to-ceiling distance for 12" (305 mm).

If the above is to be installed on combustible flooring, the floor must be protected with non-insulated ember board. See manual for additional information on floor protection.

DÉGAGEMENTS MINIMAUX DE MATIÈRES COMBUSTIBLES

Une installation sur un plancher combustible, une protection non combustible doit être placée sous le poêle en dépassant d'au moins 457 mm (18 po) sur le devant et d'au moins 229 mm (9 po) sur les trois autres côtés du poêle. L'unité devra être placée à non moins de 305 mm (12 po) sur les côtés et de 51 mm (2 po) de l'arrière du poêle. L'écartement du poêle au plafond doit être d'au moins 76 mm (3 po) de tout espace minimal du plancher de plafond 12" (305 mm).

Si est prévu que le poêle sera installé sur un plancher combustible, le plancher doit être protégé par planche de bois non isolée. Voir plus d'informations sur les protections de planchers, voir le manuel.

TYPE	PRODUCED	EMERGENCY	EMERGENCY
1	1	1	1
2	2	2	2
3	3	3	3
4	4	4	4

SERIAL NUMBER
NUMÉRO DE SÉRIE

Technical Requirements

- Refer to the title block for all unspecified dimensional tolerances.
- For color requirements refer to the provided electronic data.
- The same batch must have color uniformity throughout.
- The label must have clear fonts, be free of curling, missing marks, chromatic aberration, and flow marks.
- Material: Etched Metal
- Background: Silver Metal; Text: Black
- UL 969 Compliant

UNLESS OTHERWISE SPECIFIED:		NAME	DATE							
DIMENSIONS ARE IN INCHES TOLERANCES: TWO PLACE DECIMAL: ± .030 THREE PLACE DECIMAL: ± .005 HOLES: ± .004 ANGULAR: ± 1 DEG. FRACTIONAL DIMENSIONS: ± 1/64		CREATED	2022.05.13							
INTERPRET GEOMETRIC TOLERANCING PER: N/A		<div style="text-align: right; font-weight: bold; font-size: 24px;">EGi</div> <div style="text-align: right; font-weight: bold; font-size: 18px;">enerco group inc.</div> <div style="text-align: right; font-size: 10px;"> </div>								
MATERIAL SEE NOTES										
FINISH		<p style="font-size: 24px; font-weight: bold;">TITLE:</p> <p style="font-size: 24px; font-weight: bold;">LABEL, RATE, PELLET STOVES, MODEL-H</p>								
DO NOT SCALE DRAWING		<table border="1" style="width: 100%; font-size: 12px;"> <tr> <td style="width: 15%;">SIZE: A4</td> <td style="width: 15%;">DWG.NO.</td> <td style="width: 40%;">66816</td> <td style="width: 30%;">REV</td> </tr> <tr> <td></td> <td></td> <td></td> <td style="text-align: center;">B</td> </tr> </table>	SIZE: A4	DWG.NO.	66816	REV				B
SIZE: A4	DWG.NO.	66816	REV							
			B							
<p style="font-size: 10px;">PROPRIETARY AND CONFIDENTIAL THE INFORMATION CONTAINED IN THIS DRAWING IS THE SOLE PROPERTY OF ENERCO GROUP, INC. ANY REPRODUCTION IN PART OR AS A WHOLE WITHOUT THE WRITTEN PERMISSION OF ENERCO GROUP, INC. IS PROHIBITED.</p>		<table border="1" style="width: 100%; font-size: 12px;"> <tr> <td style="width: 25%;">SCALE: N/A</td> <td style="width: 25%;">WEIGHT: N/A</td> <td style="width: 50%;">SHEET 1 OF 1</td> </tr> </table>		SCALE: N/A	WEIGHT: N/A	SHEET 1 OF 1				
SCALE: N/A	WEIGHT: N/A	SHEET 1 OF 1								

ATN251-207 Standard Test Method for Determination of Particulate Matter Emissions Collected by a Station Stove
 ATN251-207 Standard Test Method for Determining Particulate Matter Emissions from Pellet Heaters
 CS 541-1-12 Performance Rating of Solid Fuel Burning Heaters
 EN 42-148 Standard Burn Rate Calculation
 ISO15033 Standard Test Method for Pellet Heaters, Pellet Fuel Burning Test
 CANUL969-202 Standard for Space Heaters For Use With Solid Fuels, Also Suitable For Use In Mobile Homes
 Note: The Model Number of Safety Heaters that have been certified by UL is listed below.
 Cleveland Ironworks, a subsidiary of Enerco Group, Inc. | 4550 Whiston Street, Cleveland, Ohio 44115 | 1-800-251-0001
 Made in China

ATN251-207 Méthode d'essai standard pour la détermination des émissions de particules collectées par un fourneau de station
 ATN251-207 Méthode d'essai standard pour déterminer les émissions de particules des appareils de chauffage à pellets
 CS 541-1-12 Essai de performance d'appareils de chauffage à bois à combustible solide
 EN 42-148 Calcul du taux de combustion moyen
 ATN251-207 Méthode d'essai standard pour le chauffage à pellets, également applicable aux poêles à granulés de bois
 CANUL969-202 Norme pour les appareils de chauffage à bois à combustible solide. Convient également pour une utilisation dans les maisons mobiles.
 Note: Les numéros de modèle des poêles à bois certifiés par UL sont énumérés ci-dessous.
 Cleveland Ironworks, une filiale de Enerco Group, Inc. | 4550 Whiston Street, Cleveland, Ohio 44115 | 1-800-251-0001
 Fabriqué en Chine

Model No / N° de modèle :

- H60W
 H130W
 HBF66W

DATE OF MANUFACTURE / DATE DE FABRICATION														
2024	2025	2026	JAN	FEB	MAR	APR	MAY	JUN	JUL	AUG	SEP	OCT	NOV	DEC
2024	2025	2026	JANV	FÉV	MAR	AVR	MAI	JUIN	JUIL	AOÛT	SEPT	OCT	NOV	DEC



CAUTION: HOT WHILE IN OPERATION. DO NOT TOUCH. KEEP CHILDREN, CLOTHING, AND FURNITURE AWAY. CONTACT MAY CAUSE SKIN BURNS. SEE NAMEPLATE AND INSTRUCTIONS.

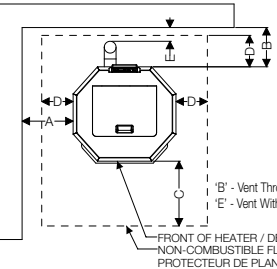


ATTENTION : BRÛLANT DURANT LE FONCTIONNEMENT. NE PAS TOUCHER. GARDER LES ENFANTS, LES VÊTEMENTS ET L'AMEUBLEMENT ÉLOIGNÉS. LE CONTACT POURRAIT CAUSER DES BRÛLURES. VOIR LA FICHE SIGNALÉTIQUE ET LES INSTRUCTIONS.

MINIMUM CLEARANCES TO COMBUSTIBLES

When installed on a combustible floor, non-combustible floor protection is required to cover the area beneath the heater and extend at least 18" (457 mm) to the front and at least 8" (203 mm) beyond each side of the room heater. The room heater shall not be less than 13" (330 mm) from the side and 2" (51 mm) from the rear to combustible materials. The vent pipe must be at least 3" (76 mm) from any wall. Minimum floor-to-ceiling distance 84" (2134 mm).

If the stove is to be installed on combustible flooring, the floor must be protected with non-insulated ember board. See manual for additional information on floor protection.



'B' - Vent Through Rear Wall / Évnt à travers le mur arrière
'E' - Vent With Vertical Vent Pipe / Évnt avec tuyau d'évent vertical
FRONT OF HEATER / DEVANT DU POËLE
NON-COMBUSTIBLE FLOOR PROTECTION /
PROTECTEUR DE PLANCHER NON COMBUSTIBLE

DÉGAGEMENTS MINIMAUX DE MATIÈRES COMBUSTIBLES

Pour installation sur un plancher combustible, une protection non combustible doit être placée sous le poêle en dépassant d'au-moins 457 mm (18 po) sur le devant et d'au moins 203 mm (8 po) sur les trois autres côtés de l'unité. L'unité devra être placée à non moins de 51 mm (2 po) du mur arrière et devra avoir au moins 330 mm (13 po) de dégagement sur les côtés. Le tuyau d'évent devra être dégagé d'au moins 76 mm (3 po) de tout mur. Distance minimale du plancher au plafond : 2 134 mm (84 po).

S'il est prévu que le poêle sera installé sur un plancher combustible, le plancher doit être protégé par planche de braise non isolée. Pour plus d'information sur les protecteurs de planchers, voir le manuel.

	U.S.A.	CANADA
A	13" (330 mm)	13" (330 mm)
B	2" (51 mm)	2" (51 mm)
C	18" (457 mm)	18" (457 mm)
D	8" (203 mm)	8" (203 mm)
E	3" (76 mm)	3" (76 mm)

	ÉTATS-UNIS	CANADA
A	13 po (330 mm)	13 po (330 mm)
B	2 po (51 mm)	2 po (51 mm)
C	18 po (457 mm)	18 po (457 mm)
D	8 po (203 mm)	8 po (203 mm)
E	3 po (76 mm)	3 po (76 mm)

**SERIAL NUMBER
NUMÉRO DE SÉRIE**

- Use a 3" (80 mm) diameter type 'L' or 'PL' venting system approved for solid fuels.
- CAUTION:** Special methods are required when passing chimney through a wall or ceiling. Refer to manufacturer's instructions and local building codes.
- Inspect and Clean Exhaust Venting System Frequently.
- Install and Use Only in Accordance With Enerco Group, Inc.'s Installation and Operating Instructions.
- Contact Local Building or Fire Officials About Restrictions and Installation Inspection in Your Area.
- For Use With Wood Pellet Fuel Only.
- Do Not Connect This Unit to a Chimney Fuel Serving Another Appliance.
- Keep Viewing and Ash Removal Doors Tightly Closed During Operation.
- Room Heater, Pellet Fuel-Burning Type. Also Suitable For Use In Mobile Homes.

MODEL	BURN RATE (kg/hr) (dry)			PARTICULATE EMISSIONS (g/hr)
	HIGH	MED	LOW	
H60W	1.98	0.92	0.72	1.3
H130W	2.19	1.28	0.90	1.6
HBF66W	2.12	1.07	0.79	1.1

- To replace blower assembly, first unplug the unit, and then remove the rear and side panels as needed and disconnect blower assembly via the screws connecting it to the heater. Remove wiring connections. Replace with new blower assembly and repeat the above steps in reverse order.
- This heater is designed to burn only high quality wood pellets with a density of 700 kg/m³ and a water content of at least 8% of the weight of the pellets. Never use gasoline, gasoline-type lantern fuel, kerosene, charcoal lighter fluid, or similar liquids to start or 'freshen up' a fire in this heater. Keep all such liquids well away from the heater while it is in use. See manual for additional specifications for acceptable wood pellets.
- To be installed as a freestanding space heater with the clearances in the manufacturer's installation instructions. Not to be installed in any fireplace.
- Replace glass window with ceramic single-pane glass.
- U.S. ENVIRONMENTAL PROTECTION AGENCY Certified to comply with 2020 particulate emission standards using pellet fuel.

- This wood heater needs periodic inspection and repair for proper operation. Consult the owner's manual for further information. It is against federal regulations to operate this wood heater in a manner inconsistent with the operating instructions in the owner's manual.

For Mobile Homes

- Do not obstruct combustion air openings.
- OPERATE ONLY WITH DOORS CLOSED.
- Must supply fresh air from outside mobile home via air inlet connection on the back of the heater.
- This product may be covered by one or more US or international patents or pending patent applications in the US and other countries. Please visit www.enercogroupinc.com/patents for more information.

- Utiliser un tuyau d'évent de type L ou PL de 80 mm (3 po) de diamètre approuvé pour poêles à combustible solide.
- ATTENTION :** Un montage différent doit être réalisé pour une installation de cheminée à travers un mur ou un toit. Se référer aux directives du fabricant et au code de la construction local.
- Inspecter et nettoyer le système d'évent de sortie fréquemment.
- Installer et utiliser seulement selon le Guide d'installation et de fonctionnement de Enerco Group Inc.
- Contacter les autorités du code de la construction ou le service d'incendie pour connaître les restrictions et les inspections d'approbation dans votre région.
- Pour utilisation avec granulés de bois seulement.
- Ne pas raccorder cette unité à une cheminée connectée à un autre appareil.
- Durant le fonctionnement, garder la porte de visionnement et la porte de retrait des cendres bien fermées. Poêle de type à granulés de bois. Adéquat pour utilisation dans les maisons mobiles.

MODÈLE	TAUX DE CONSOMMATION (kg/h)			ÉMISSION DE PARTICULES (g/h)
	ÉLEVÉ	MOYEN	BAS	
H60W	1.98	0.92	0.72	1.3
H130W	2.19	1.28	0.90	1.6
HBF66W	2.12	1.07	0.79	1.1

Information électrique

- Tension : 120 V.c.a.
- Fréquence : 60 Hz
- Placer le cordon d'alimentation hors de vue derrière en s'éloignant de l'unité. Ne pas laisser le cordon touché toute pièce chaude.
- Avant de nettoyer le ventilateur, couper l'alimentation de l'unité. Retirer ensuite le panneau arrière et à l'aide d'un aspirateur, nettoyer toute accumulation de poussière sur les pales du ventilateur et à l'intérieur de la canalisation.
- ATTENTION :** Les pièces mobiles peuvent causer des blessures. Ne pas faire fonctionner l'unité avec ses panneaux d'accès ouverts.
- ATTENTION :** Pièces chaudes. Ne pas faire fonctionner l'unité avec des pièces retirées.
- DANGER :** Danger de choc électrique. Couper l'alimentation avant d'entretenir l'unité.

- Pour remplacer l'ensemble ventilateur, débrancher en premier l'unité et puis déposer le panneau arrière et, au besoin, les panneaux latéraux et dévisser l'assemblage ventilateur. Débrancher les fils raccourcis. Remplacer le ventilateur par un neuf et inverser la procédure ci-dessus.
- Ce poêle est conçu pour consommer seulement des granulés de bois de qualité élevée, d'une densité de 700 kg/m³ comprenant un taux d'humidité maximal de 8 %. Ne jamais utiliser de liquide d'allumage de charbon, de kérosène, d'huile à lampe ou d'essence pour allumer ou ré-activer le feu dans cette poêle. Garder toutes ces substances bien à l'écart du poêle lors de son fonctionnement. Pour d'autres spécifications de granulés de bois acceptables, se référer au manuel.
- À installer comme appareil de chauffage autonome avec les dégagements indiqués dans les instructions d'installation du fabricant. Ne doit pas être installé dans une cheminée.
- Remplacer la fenêtre vitrée par du verre de céramique à vitrage unique.
- Homologué conforme aux normes d'émission de particules de 2020 stipulées par U.S. ENVIRONMENTAL PROTECTION AGENCY, lors de l'utilisation de granulés de bois de qualité. Pour un bon rendement de fonctionnement ce poêle à granulés de bois nécessite un entretien périodique. Pour plus d'information, consulter le Guide du propriétaire. Toute opération ne respectant pas les directives du Guide du propriétaire contrevient à la réglementation fédérale.

- Pour maisons mobiles**
- Ne pas obstruer les ouvertures d'air de combustion.
- NE FAIRE FONCTIONNER QU'AVEC LES PORTES DE L'UNITÉ FERMÉES.**
- De l'air frais de l'extérieur de la maison mobile doit être alimenté par la prise d'air à l'arrière de l'unité.
- Ce produit peut être couvert par un ou plusieurs brevets américains ou internationaux ou en instance de brevet aux États-Unis ou dans s'autres pays. Pour plus d'information, veuillez visiter www.enercogroupinc.com/patents Reportez-vous au répertoire des produits de construction d'Intertek (<https://bpdirectory.intertek.com>) pour obtenir des informations détaillées. Brevet Américain en Instance

ASTM E2515-2017 Standard Test Method for Determination of Particulate Matter Emissions Collected by a Dilution Tunnel
ASTM E2779-2017 Standard Test Method for Determining Particulate Matter Emissions from Pellet Heaters
CSA B415-1:22 Performance Testing of Solid-Fuel-Burning Heating Appliances
EPA A1J-146 Medium Burn Rate Calculation
ASTM E1509-22 Standard Spec cation for Room Heaters, Pellet Fuel-Burning Type
CANULC-3627-2023 Standard For Space Heaters For Use With Solid Fuels. Also Suitable For Use In Mobile Homes
Refer to the Intertek Directory of Building Products (<https://bpdirectory.intertek.com>) for detailed information.
Cleveland Ironworks, a subsidiary of Enerco Group, Inc. | 4560 W160th Street, Cleveland, Ohio 44135 | 1-800-251-0001
Made in China



ASTM E2515-2017 Méthode d'essai standard pour la détermination des émissions de particules collectées par un tunnel de dilution
ASTM E2779-2017 Méthode d'essai standard pour déterminer les émissions de particules des appareils de chauffage à granulés de bois
CSA B415-1:22 Essais de performance d'appareils de chauffage consommant un carburant solide
EPA A1J-146 Calcul du taux de combustion moyen
ASTM E1509-22 Spécification standard pour les appareils de chauffage, type à granulés de bois
CANULC-3627-2023 Norme pour les appareils de chauffage à utiliser avec des combustibles solides. Convient également pour une utilisation dans les maisons mobiles
Reportez-vous au répertoire des produits de construction d'Intertek (<https://bpdirectory.intertek.com>) pour obtenir des informations détaillées.
Cleveland Ironworks, une filiale de Enerco Group, Inc. | 4560 W160th Street, Cleveland, Ohio 44135 | 1-800-251-0001
Fabriqué en Chine 68618 REV B

REV	DESCRIPTION OF CHANGE	DATE	CHANGED BY
A	NEW RELEASE	2022.12.01	CZ
B	Updated to PFS & New Standards	2024.02.13	CZ

FXXXXXX	C60WTS
FXXXXXX	C130WTS
FXXXXXX	CBF66WTS

USED ON

6.75"

7.5"

Model No. 761 (in inches)

C60WTS
 C130WTS
 CBF66WTS

CAUTION: HOT WHILE IN OPERATION. DO NOT TOUCH. KEEP CHILDREN, CLOTHING, AND FURNITURE AWAY. CONTACT MAY CAUSE SKIN BURNS. SEE NAMEPLATE AND INSTRUCTIONS.

MINIMUM CLEARANCES TO COMBUSTIBLES

When installed on combustible floor, non-combustible floor protection is required to cover the area beneath the heater and extend at least 18" (457 mm) to the front and at least 9" (229 mm) beyond each side of the rear heater. The front heater shall not be less than 12" (305 mm) from the side and 2" (51 mm) from the rear to combustible materials. The vent pipe must be at least 3" (76 mm) from any wall. Minimum floor-to-ceiling distance 8' (2.44 m).

If the stove is to be installed on combustible flooring, the floor must be protected with non-combustible ember board. See manual for additional information on floor protection.

18" Vent Through Rear Wall. Vent at least 18" above the rear wall.
18" Vent With Vertical Vent Pipe. Vent at least 18" above the rear wall.

PROTECTOR OF HEATER / ÉCRAN ANTI-ÉTOUPE
NON-COMBUSTIBLE FLOOR PROTECTION / PROTECTEUR DE PLANCHER EN COMBUSTIBLE

• Use a 3" (80 mm) diameter type 'L' or 'P' vent system approved for solid fuel.
• **CAUTION:** Special methods are required when passing chimney through a wall or ceiling. Refer to manufacturer's instructions and local building codes.
• Inspect and Clean Exhaust Venting System Frequently.
• Install and Use Only in Accordance With Enerco Group, Inc.'s Installation and Operating Instructions.
• Contact Local Building or Fire Officials About Restrictions and Installation Restrictions in Your Area.
• Do Not Connect This Unit to a Chimney Fuel Serving Another Appliance.
• Read Warning and Ash Removal Dooms Tightly From Heater. Pellet Fuel During Type. Also Suitable For Use in Mobile Homes.
• Replace glass window with ceramic single-pane glass.
• U.S. ENVIRONMENTAL PROTECTION AGENCY Certified to comply with 2000 particulate emission standards using pellet fuel.
• The wood heater needs periodic inspection and repair for proper operation. Consult the owner's manual for more information. If it is agreed to be repaired to operate this wood heater in a manner inconsistent with the operating instructions in the owner's manual.

Technical Information

Model	Rated Input (kW)	Rated Output (kW)	Efficiency (%)
C60WTS	3.3	2.4	73
C130WTS	6.6	4.8	73

• Current: 3.3 A
• Voltage: 120 VAC
• Frequency: 60 Hz
• Phase: Single 0
• Fuel: Pellet (not used behind and away from the unit. Do not allow the power cord to touch any hot components.)
• To clean blower assembly, first disconnect power to the unit. Then remove the rear panel and use a vacuum cleaner to remove any dust accumulation around heater or inside the blower duct.
• **CAUTION:** Moving Parts May Cause Injury. Do Not Clean Unit With Any Chemicals.
• **CAUTION:** Hot Parts. Do Not Operate Unit With Wet Components Replaced.
• **DANGER:** Risk of Electric Shock. Disconnect Power Before Servicing Unit.

REN225-2017 Standard Test Method for Determination of Particulate Matter Emissions Collected as a Clean Tone
REN2279-2017 Standard Test Method for Determining Particulate Matter Emissions from Pellet Heaters
CS 841-12 Performance Rating of 60kW Fuel Burning Heating Appliances
ENAC-146 Medium Burn Rate Calculation
REN235-2017 Standard Specification for Front Heaters, Pellet Fuel Burning Type
CANSUL507-2013 Standard For Space Heaters For Use With 5/8" Pellets. Also Suitable For Use in Mobile Homes
Refer to the Heat Exchanger Cleaning Process from Hydroxone.com used to inspect/heater.com for details on cleaning stainless steel.
Enerco Group, Inc., 4550 W192th Street, Cleveland, Ohio 44115 | 1-800-251-0001
Fabricado en China

DATE DE MANUFACTURE / DATE DE FABRICATION

2024 2023 2022 2021 2020 2019 2018 2017 2016 2015 2014 2013 2012 2011 2010 2009 2008 2007 2006 2005 2004 2003 2002 2001 2000

ATTENTION: BRÛLANT DURANT LE FONCTIONNEMENT. NE PAS TOUCHER. GARDER LES ENFANTS, LES VÊTEMENTS ET L'AMEUBLEMENT ÉLOIGNÉS. LE CONTACT POURRAIT CAUSER DES BRÛLURES. VOIR LA FICHE SIGNALÉTIQUE ET LES INSTRUCTIONS.

DÉGAGEMENTS MINIMAUX DE MATIÈRES COMBUSTIBLES

Pour installer sur un plancher combustible, une protection non combustible doit couvrir la zone sous le poêle et dépasser d'au moins 457 mm (18 po) au devant et d'au moins 229 mm (9 po) au-dessus de chaque côté de la cheminée. Le poêle devant le mur arrière et devant avoir au moins 305 mm (12 po) de dégagement de chaque côté. La hauteur libre sous une plafond doit être d'au moins 2,44 m (8 pi) de hauteur libre au-dessus du poêle (2,44 m (8 pi)).

Si le poêle sera installé sur un plancher combustible, le plancher doit être protégé par une planche non combustible. Pour plus d'informations sur les protections de planchers, voir le manuel.

18" Vent à Travers le Mur Arrière. Vent au moins 18" au-dessus du mur arrière.
18" Vent avec Ventilation Verticale. Vent au moins 18" au-dessus du mur arrière.

PROTECTOR OF HEATER / ÉCRAN ANTI-ÉTOUPE
NON-COMBUSTIBLE FLOOR PROTECTION / PROTECTEUR DE PLANCHER EN COMBUSTIBLE

• Utilisez un tuyau d'aération de type 'L' ou 'P' de 80 mm (3 po) de diamètre approuvé pour poêle à combustible solide.
• **ATTENTION:** Le montage différent doit être utilisé pour les installations de cheminées à travers un mur ou un toit. Se référer aux directives du fabricant et au code de la ville.
• Inspectez et nettoyez le système d'évacuation de sorte fréquente.
• Installez et utilisez uniquement selon le Guide d'installation et d'opération de Enerco Group, Inc.
• Contactez les autorités du code de la construction ou les services d'inspection pour connaître les restrictions de la zone d'installation dans votre région.
• Pour utilisation dans les zones à bois abondant.
• Ne pas relier à un autre appareil.
• Lire attentivement l'avertissement relatif au nettoyage de la porte de chargement et la porte de retrait des cendres bien fermées. Poêle de type à granulés de bois. Adaptez pour utilisation dans les maisons mobiles.
• Vérifiez régulièrement les émissions de particules de 2007 révisées par l'U.S. ENVIRONMENTAL PROTECTION AGENCY. Certifié en conformité de granulés de bois de qualité.
• Pour un bon rendement de fonctionnement de poêle à granulés de bois, vérifiez et nettoyez périodiquement. Pour plus d'informations, consultez le Guide de propriétés. Toute modification ne respectant pas les directives de Guide de propriétés conduira à une dégradation de la performance.
• **NE PAS FONCTIONNER QU'AVEC LES PORTES DE CHARGEMENT ET DE RETRAIT DES CENDRES.**
• De fait, les données de l'émission mobile ont été obtenues par un test d'un litre de combustible.
• Le poêle peut être couvert par un ou plusieurs bruleurs à gaz. Pour plus d'informations, consultez le manuel de l'utilisateur au www.enercogroup.com/pellets.
• Ne pas utiliser de produits de nettoyage chimique.
• **DANGER:** Risque de choc électrique. Déconnecter l'alimentation avant de servir.

• Four servira l'ensemble ventilo-chauffage en premier lieu et à débiter la puissance après le de besoin. Les pertes de chaleur et à débiter l'assèchement ventilo-chauffage. Consultez les fils d'opération. Remarque: le ventilo-chauffage par un feu et émettre la production de chaleur.
• Ce poêle est conçu pour fonctionner avec des granulés de bois de qualité élevée, d'une densité de 700 kg/m³ correspondant à une teneur en humidité de 8 à 10%. Ne jamais utiliser de types d'aliments de chauffage de bois autres que les granulés de bois de qualité élevée pour alimenter ou activer le feu dans cette unité. Consultez toutes les restrictions de la zone de poêle de bois de qualité élevée.
• Ne pas relier à un autre appareil.
• Lire attentivement l'avertissement relatif au nettoyage de la porte de chargement et la porte de retrait des cendres bien fermées. Poêle de type à granulés de bois. Adaptez pour utilisation dans les maisons mobiles.
• Vérifiez régulièrement les émissions de particules de 2007 révisées par l'U.S. ENVIRONMENTAL PROTECTION AGENCY. Certifié en conformité de granulés de bois de qualité.
• Pour un bon rendement de fonctionnement de poêle à granulés de bois, vérifiez et nettoyez périodiquement. Pour plus d'informations, consultez le Guide de propriétés. Toute modification ne respectant pas les directives de Guide de propriétés conduira à une dégradation de la performance.
• **NE PAS FONCTIONNER QU'AVEC LES PORTES DE CHARGEMENT ET DE RETRAIT DES CENDRES.**
• De fait, les données de l'émission mobile ont été obtenues par un test d'un litre de combustible.
• Le poêle peut être couvert par un ou plusieurs bruleurs à gaz. Pour plus d'informations, consultez le manuel de l'utilisateur au www.enercogroup.com/pellets.
• Ne pas utiliser de produits de nettoyage chimique.
• **DANGER:** Risque de choc électrique. Déconnecter l'alimentation avant de servir.

REN225-2017 Méthode d'essai standard pour la détermination des émissions de particules collectées par un filtre de diffusion
REN2279-2017 Méthode d'essai standard pour déterminer les émissions de particules des appareils de chauffage à granulés
CS 841-12 Essai de performance d'appareils de chauffage à granulés
ENAC-146 Essai de calcul de combustion moyen
REN235-2017 Spécification standard pour les appareils de chauffage, type à granulés de bois, pour les appareils de chauffage à utiliser avec des combustibles solides. Convient également pour une utilisation dans les maisons mobiles
REN235-2017 Spécification standard pour les appareils de chauffage, type à granulés de bois, pour les appareils de chauffage à utiliser avec des combustibles solides. Convient également pour une utilisation dans les maisons mobiles
Référer à la fiche de nettoyage des poêles à granulés de bois (www.enercogroup.com/pellets) pour des détails sur les méthodes de nettoyage.
Enerco Group, Inc., 4550 W192th Street, Cleveland, Ohio 44115 | 1-800-251-0001
Fabricado en China

Technical Requirements

- Refer to the title block for all unspecified dimensional tolerances.
- For color requirements refer to the provided electronic data.
- The same batch must have color uniformity throughout.
- The label must have clear fonts, be free of curling, missing marks, chromatic aberration, and flow marks.
- Material: Etched Metal
- Background: Silver Metal; Text: Black

UNLESS OTHERWISE SPECIFIED:	NAME	DATE
DIMENSIONS ARE IN INCHES	CREATED	2022.12.01
TOLERANCES:		
TWO PLACE DECIMAL: ± .030		
THREE PLACE DECIMAL: ± .005		
HOLES: ± .004		
ANGULAR: ± 1 DEG.		
FRACTIONAL DIMENSIONS: ± 1/64		
INTERPRET GEOMETRIC TOLERANCING PER: N/A		
MATERIAL		
SEE NOTES		
FINISH		
DO NOT SCALE DRAWING		

EGi enerco group inc.

Mr Heater HEATSTAR ENERCO FLEX-TECH

TITLE:

LABEL, RATE, PELLET STOVE, TS, MODEL C

SIZE: A4	DWG.NO. 66890	REV B
SCALE: N/A	WEIGHT: N/A	SHEET 1 OF 1

PROPRIETARY AND CONFIDENTIAL THE INFORMATION CONTAINED IN THIS DRAWING IS THE SOLE PROPERTY OF ENERCO GROUP, INC. ANY REPRODUCTION IN PART OR AS A WHOLE WITHOUT THE WRITTEN PERMISSION OF ENERCO GROUP, INC. IS PROHIBITED.

Model No / N° de modèle :

- C60WTS
- C130WTS
- CBF66WTS

DATE OF MANUFACTURE / DATE DE FABRICATION



CAUTION: HOT WHILE IN OPERATION. DO NOT TOUCH. KEEP CHILDREN, CLOTHING, AND FURNITURE AWAY. CONTACT MAY CAUSE SKIN BURNS. SEE NAMEPLATE AND INSTRUCTIONS.

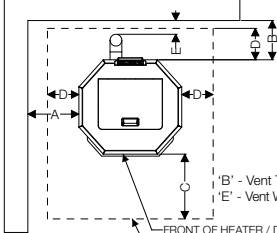


ATTENTION : BRÛLANT DURANT LE FONCTIONNEMENT. NE PAS TOUCHER. GARDER LES ENFANTS, LES VÊTEMENTS ET L'AMEUBLEMENT ÉLOIGNÉS. LE CONTACT POURRAIT CAUSER DES BRÛLURES. VOIR LA FICHE SIGNALÉTIQUE ET LES INSTRUCTIONS.

MINIMUM CLEARANCES TO COMBUSTIBLES

When installed on a combustible floor, non-combustible floor protection is required to cover the area beneath the heater and extend at least 18" (457 mm) to the front and at least 8" (203 mm) beyond each side of the room heater. The room heater shall not be less than 13" (330 mm) from the side and 2" (51 mm) from the rear to combustible materials. The vent pipe must be at least 3" (76 mm) from any wall. Minimum floor-to-ceiling distance 84" (2134 mm).

If the stove is to be installed on combustible flooring, the floor must be protected with non-insulated ember board. See manual for additional information on floor protection.



'B' - Vent Through Rear Wall/ Événit à travers le mur arrière
'E' - Vent With Vertical Vent Pipe/ Événit avec tuyau d'événit vertical

	U.S.A.	CANADA
A	13" (330 mm)	13" (330 mm)
B	2" (51 mm)	2" (51 mm)
C	18" (457 mm)	18" (457 mm)
D	8" (203 mm)	8" (203 mm)
E	3" (76 mm)	3" (76 mm)

DÉGAGEMENTS MINIMAUX DE MATIÈRES COMBUSTIBLES

Pour installation sur un plancher combustible, une protection non combustible doit être placée sous le poêle en dépassant d'au-moins 457 mm (18 po) sur le devant et d'au moins 203 mm (8 po) sur les trois autres côtés de l'unité. L'unité devra être placée à non moins de 51 mm (2 po) du mur arrière et devra avoir au moins 330 mm (13 po) de dégagement sur les côtés. Le tuyau/d'événit devra être dégagé d'au moins 76 mm (3 po) de tout mur. Distance minimale du plancher au plafond : 2 134 mm (84 po).

S'il est prévu que le poêle sera installé sur un plancher combustible, le plancher doit être protégé par planche de braise non isolée. Pour plus d'information sur les protecteurs de planchers, voir le manuel.

**SERIAL NUMBER
NUMÉRO DE SÉRIE**

- Use a 3" (80 mm) diameter type 'L' or 'PL' venting system approved for solid fuels.
- **CAUTION:** Special methods are required when passing chimney through a wall or ceiling. Refer to manufacturer's instructions and local building codes.
- Inspect and Clean Exhaust Venting System Frequently.
- Install and Use Only in Accordance With Enerco Group, Inc.'s Installation and Operating Instructions.
- Contact Local Building or Fire Officials About Restrictions and Installation Inspection in Your Area.
- For Use With Wood Pellet Fuel Only.
- Do Not Connect This Unit to a Chimney Fuel Serving Another Appliance.
- Keep Viewing and Ash Removal Doors Tightly Closed During Operation.
- Room Heater, Pellet Fuel-Burning Type. Also Suitable For Use In Mobile Homes.

MODEL	BURN RATE (kg/hr) (dry)			PARTICULATE EMISSIONS (g/hr)
	HIGH	MED	LOW	
C60WTS	1.98	0.92	0.72	1.3
C130WTS	2.19	1.28	0.90	1.6
CBF66WTS	2.12	1.07	0.79	1.1

Electrical Information

- Voltage: 120 VAC
- Frequency: 60 Hz
- Route power cord away behind and away from the unit. Do not allow the power cord to touch any hot components.
- To clean blower assembly, first disconnect power to the unit. Then remove the rear panel and use a vacuum cleaner to remove any dust accumulation on the blower's blades or inside the blower duct.
- **CAUTION:** Moving Parts May Cause Injury. Do Not Operate Unit With Any Covers Removed.
- **CAUTION:** Hot Parts. Do Not Operate Unit With Any Components Removed.
- **DANGER:** Risk of Electric Shock. Disconnect Power Before Servicing Unit.

- Current: 3.3 A
- Phase: Single Ø

- To replace blower assembly, first unplug the unit, and then remove the rear and side panels as needed and disconnect blower assembly via the screws connecting it to the heater. Remove wiring connections. Replace with new blower assembly and repeat the above steps in reverse order.
- This heater is designed to burn only high quality wood pellets with a density of 700 kg/m³ and a water content of at least 8% of the weight of the pellets. Never use gasoline, gasoline-type lantern fuel, kerosene, charcoal lighter fluid, or similar liquids to start or 'freshen up' a fire in this heater. Keep all such liquids well away from the heater while it is in use. See manual for additional specifications for acceptable wood pellets.
- To be installed as a freestanding space heater with the clearances in the manufacturer's installation instructions. Not to be installed in any fireplace.
- Replace glass window with ceramic single-pane glass.
- U.S. ENVIRONMENTAL PROTECTION AGENCY Certified to comply with 2020 particulate emission standards using pellet fuel.
- This wood heater needs periodic inspection and repair for proper operation. Consult the owner's manual for further information. It is against federal regulations to operate this wood heater in a manner inconsistent with the operating instructions in the owner's manual.

For Mobile Homes

- Do not obstruct combustion air openings.
- OPERATE ONLY WITH DOORS CLOSED.
- Must supply fresh air from outside mobile home via air inlet connection on the back of the heater.
- This product may be covered by one or more US or international patents or pending patent applications in the US and other countries. Please visit www.enercogroupinc.com/patents for more information.

- Utiliser un tuyau d'événit de type L ou PL de 80 mm (3 po) de diamètre approuvé pour poêles à combustible solide.
- **ATTENTION :** Un montage différent doit être réalisé pour une installation de cheminée à travers un mur ou un toit. Se référer aux directives du fabricant et au code de la construction local.
- Inspecter et nettoyer le système d'événit de sortie fréquemment.
- Installer et utiliser seulement selon le Guide d'installation et de fonctionnement de Enerco Group Inc.
- Contacter les autorités du code de la construction ou le service d'incendie pour connaître les restrictions et les inspections d'approbation dans votre région.
- Pour utilisation avec granulés de bois seulement.
- Ne pas raccorder cette unité à une cheminée connectée à un autre appareil.
- Durant le fonctionnement, garder la porte de ventilation et la porte de retrait des cendres bien fermées. Poêle de type à granulés de bois. Adéquat pour utilisation dans des maisons mobiles.

MODÈLE	TAUX DE CONSOMMATION (g/h)			ÉMISSION DE PARTICULES (g/h)
	ÉLEVÉ	MOYEN	BAS	
C60WTS	1.98	0.92	0.72	1.3
C130WTS	2.19	1.28	0.90	1.6
CBF66WTS	2.12	1.07	0.79	1.1

Information électrique

- Tension : 120 Vc.a.
- Fréquence : 60 Hz
- Placer le cordon d'alimentation hors de nuire derrière s'éloignant de l'unité. Ne pas laisser le cordon toucher toute pièce chaude.
- Avant de nettoyer le ventilateur, couper l'alimentation de l'unité. Retirer ensuite le panneau arrière et à l'aide d'un aspirateur, nettoyer toute accumulation de poussière sur les pales du ventilateur et à l'intérieur de la canalisation.
- **ATTENTION :** Les pièces mobiles peuvent causer des blessures. Ne pas faire fonctionner l'unité avec ses panneaux d'écran retirés.
- **DANGER :** Potentiel de choc électrique. Couper l'alimentation avant d'entretenir l'unité.
- Courant : 3,3 A
- Phase : 1 Ø

ASTM E2515-2017 Standard Test Method for Determination of Particulate Matter Emissions Collected by a Dilution Tunnel
ASTM E2779-2017 Standard Test Method for Determining Particulate Matter Emissions from Pellet Heaters
CSA B415.1-22 Performance Testing of Solid-Fuel-Burning Heating Appliances
EPA ALT-146 Medium Burn Rate Calculation
ASTM E1509-22 Standard Specification for Room Heaters, Pellet Fuel-Burning Type
CANULC-S627.2023 Standard For Space Heaters For Use With Solid Fuels. Also Suitable For Use In Mobile Homes



US Patent Pending

ASTM E2515-2017 Méthode d'essai standard pour la détermination des émissions de particules collectées par un tunnel de dilution
ASTM E2779-2017 Méthode d'essai standard pour déterminer les émissions de particules des appareils de chauffage à granulés
CSA B415.1-22 Essais de performance d'appareils de chauffage consommant un carburant solide
EPA ALT-146 Calcul du taux de combustion moyen
ASTM E1509-22 Spécification standard pour les appareils de chauffage, type à granulés de bois
CANULC-S627.2023 Norme pour les appareils de chauffage à utiliser avec des combustibles solides. Convient également pour une utilisation dans les maisons mobiles

Reportez-vous au répertoire des produits de construction d'Intertek (<https://bpdirectory.intertek.com>) pour obtenir des informations détaillées.

Enerco Group, Inc. | 4560 W160th Street, Cleveland, Ohio 44135 | 1-800-251-0001

Fabriquée en Chine

Brevet Américain en Instance

REV	DESCRIPTION OF CHANGE	DATE	CHANGED BY
A	NEW RELEASE	2022.12.01	CZ
B	Updated to PFS & New Standards	2024.02.13	CZ

FXXXXXX	H60WTS
FXXXXXX	H130WTS
FXXXXXX	HBF66WTS

USED ON

6.75"

Model No. / N° du modèle:

H60WTS
 H130WTS
 HBF66WTS

DATE OF MANUFACTURE / DATE DE FABRICATION

2024	2023	2022	2021	2020	2019	2018	2017	2016	2015	2014	2013	2012	2011	2010	2009	2008	2007	2006	2005	2004	

CAUTION: HOT WHILE IN OPERATION. DO NOT TOUCH. KEEP CHILDREN, CLOTHING, AND FURNITURE AWAY. CONTACT MAY CAUSE SKIN BURNS. SEE NAMEPLATE AND INSTRUCTIONS.

ATTENTION : BRÛLANT DURANT LE FONCTIONNEMENT. NE PAS TOUCHER. GARDER LES ENFANTS, LES VÊTEMENTS ET L'MEUBLEMENT ÉLOIGNÉS. LE CONTACT POURRAIT CAUSER DES BRÛLURES. VOIR LA FICHE SIGNALÉTIQUE ET LES INSTRUCTIONS.

7.5"

MINIMUM CLEARANCES TO COMBUSTIBLES

When installed on a combustible floor, non-combustible floor protection is required to cover the area beneath the heater and extend at least 18" (457 mm) to the front and at least 12" (305 mm) beyond each side of the rear heater. The rear heater shall not be less than 12" (305 mm) from the side and 2" (51 mm) from the rear to combustible materials. The vent pipe must be at least 3" (76 mm) from any wall. Minimum floor-to-ceiling distance 8' (2.44 m).

If the stove is to be installed on combustible flooring, the floor must be protected with non-combustible under-board. See manual for additional information on floor protection.

Fig. 1 Vent Through Rear Wall: Vent à travers la mur arrière
Fig. 2 Vent Through Wall: Vent à travers la paroi latérale

HEATER / CHAUFFE À BOIS
NON-COMBUSTIBLE FLOOR PROTECTION / PROTECTEUR DE PLANCHER NON-COMBUSTIBLE

TYPE	PROTECTOR	SPACING	PROTECTOR
1	1	1	1
2	2	2	2
3	3	3	3
4	4	4	4
5	5	5	5
6	6	6	6
7	7	7	7
8	8	8	8
9	9	9	9
10	10	10	10

SERIAL NUMBER
NUMÉRO DE SÉRIE

Use a 2" (51 mm) diameter type 1 or 1P venting system approved for solid fuel.

CAUTION: Special methods are required when passing chimney through a wall or ceiling. Refer to manufacturer's instructions and local building codes.

Inspect and Clean Exhaust Venting System Frequently.

Install and Use Only in Accordance With Enerco Group, Inc.'s Installation and Operating Instructions, Contact Local Building or Fire Officials About Restrictions on Installation Practices in Your Area.

Do Not Connect This Unit to a Chimney Fuel-Serving Another Appliance.

Always Heating and Air Return Doors Tightly Closed During Operation.

Room: Heater, Pellet, Fuel During Type, Also Suitable For Use in Mobile Homes.

Technical Information

Model	Efficiency (Minimum/Maximum)	Input (kW)	Output (kW)
H60WTS	75.0/85.0	10.0	10.0
H130WTS	75.0/85.0	13.0	13.0
HBF66WTS	75.0/85.0	16.0	16.0

• Heating: 120 VAC
• Frequency: 60 Hz
• Electric power cord away (battery) and away from the unit. Do not allow the power cord to touch any hot components.

• To clean blower assembly, first disconnect power to the unit. Then remove the rear panel and use a vacuum cleaner to remove any dust accumulation on the blower blades or inside the blower duct.

CAUTION: Moving Parts, May Cause Injury. Do Not Operate With Any Covers Removed.

CAUTION: Hot Parts, Do Not Operate Live With Any Components Removed.

DANGER: Risk of Electric Shock. Disconnect Power Before Servicing Unit.

• To replace blower assembly, first unplug the unit, and then remove the rear and side panels as needed and disconnect blower assembly via the screws connecting it to the heater. Remove wiring connections. Replace with new blower assembly and repeat the above steps in reverse order.

• This heater is designed to burn only high quality wood pellets with a density of 700 kg/m³ and a water content of at least 8% of the weight of the wood pellets. Do not use: green wood, bark, sawdust, kerosene, charcoal, lighter fluid, or similar fuels. Do not use pellets that are in the manufacturer's bag. Keep all such liquids well away from the heater.

• Do not use pellets that are not specifically identified as acceptable wood pellets.

• Do not install as a heater for single heater with the clearance in the manufacturer's installation instructions. Not to be installed in: Replace glass window with ceramic single-pane glass.

U.S. ENVIRONMENTAL PROTECTION AGENCY Certified to comply with 2000 particulate emission standards using pellet fuel.

The wood heater meets periodic inspection and repair for proper operation. Consult the owner's manual for further information. It is against federal regulations to operate this wood heater in a manner inconsistent with the operating instructions in the owner's manual.

En Français

• Do not disconnect combustion air openings. OPERATE ONLY WITH DOORS CLOSED.

• Make safety shut-off from outside mobile home via air inlet connection on the back of the heater.

• This product may be covered by one or more US or International patents or pending applications in the US and other countries. Please visit www.enercogroup.com/patents for more information.

• Utilisez un tuyau d'évent de type 1 ou 1P, de 51 mm (2 po) de diamètre approuvé pour les poêles à combustible solide.

ATTENTION : On doit installer des méthodes spéciales pour passer la cheminée à travers une paroi ou un toit. Se référer aux directives du fabricant et au code de la ville.

• Inspectez et nettoyez le système d'évent de sortie fréquemment.

• Installer et utiliser seulement selon la Guide d'installation et de fonctionnement de Enerco Group, Inc.

• Contrôlez les attributs de code de la construction ou le service d'inspection pour connaître les restrictions de la disposition d'opération dans votre région.

• Pour éliminer tout danger de feu, ne laissez pas de liquides inflammables ou autres produits dangereux à proximité de cet appareil.

• Ne pas connecter cette unité à une cheminée connectée à un autre fonctionnement, garder le porte de démarrage et le porte de retrait des cendres bien fermés. Pêles de bois à granulés de haute qualité. Ne pas laisser le cordon touché dans les réservoirs mobiles.

• Pour remplacer l'ensemble ventilateur, débrancher le premier câble et puis débrancher le panneau arrière et, au besoin, les panneaux latéraux et débrancher l'assemblage ventilateur. Retirez les vis nécessaires. Remplacez le ventilateur par un neuf et remettez le processus ci-dessus.

• Ce poêle est conçu pour fonctionner avec des granulés de bois de qualité élevée, d'une densité de 700 kg/m³ contenant au plus 8% d'humidité.

• Ne jamais utiliser de liquides inflammables, de charbon, de résidus, d'écorce ou de copeaux pour alimenter ou activer le feu dans cette unité. Garder toutes ces substances éloignées et à l'écart du poêle. Ne pas utiliser de produits qui ne sont pas spécifiquement identifiés comme étant acceptables pour les poêles à combustible solide.

• Ne pas installer cet appareil à l'intérieur d'un mobile avec des débranchements individuels dans les instructions d'installation du fabricant. Ne pas laisser les portes de démarrage et de retrait des cendres bien fermées. Pêles de bois à granulés de haute qualité. Ne pas laisser le cordon touché dans les réservoirs mobiles.

• Vérifiez régulièrement que votre émission de particules de 2000 réponde aux normes d'émission de particules de 2000 établies par l'U.S. ENVIRONMENTAL PROTECTION AGENCY. On doit installer de granulés de bois de qualité élevée.

• Pour un bon rendement de fonctionnement de poêle à granulés de bois, nécessite un entretien périodique. Pour plus d'information, consultez le Guide du propriétaire. Tous les collecteurs ne respectent pas les directives de Guide du propriétaire concernant la réglementation fédérale.

Caractéristiques techniques

Modèle	Efficiency (Minimum/Maximum)	Input (kW)	Output (kW)
H60WTS	75.0/85.0	10.0	10.0
H130WTS	75.0/85.0	13.0	13.0
HBF66WTS	75.0/85.0	16.0	16.0

• Chauffage: 120 VAC
• Fréquence: 60 Hz
• Câble d'alimentation électrique (à batterie) et à l'écart de l'appareil. Ne pas laisser le cordon toucher tous les composants.

• Avant de nettoyer le ventilateur, couper l'alimentation de l'unité. Retirez ensuite le panneau arrière et, au besoin, les panneaux latéraux et débranchez l'assemblage ventilateur. Retirez les vis nécessaires. Remplacez le ventilateur par un neuf et remettez le processus ci-dessus.

ATTENTION : Les pièces mobiles peuvent causer des blessures. Ne pas utiliser l'appareil avec des couvercles retirés.

DANGER : Risque de choc électrique. Couper le courant avant de servir l'unité.

• Ce produit peut être couvert par un ou plusieurs brevets américains ou internationaux ou en instance de brevet aux États-Unis ou dans d'autres pays. Pour plus d'informations, veuillez visiter www.enercogroup.com/patents

Représente une marque de produits de construction émettant des particules de 2000 réponde aux normes d'émission de particules de 2000 établies par l'U.S. ENVIRONMENTAL PROTECTION AGENCY. On doit installer de granulés de bois de qualité élevée.

• Pour un bon rendement de fonctionnement de poêle à granulés de bois, nécessite un entretien périodique. Pour plus d'information, consultez le Guide du propriétaire. Tous les collecteurs ne respectent pas les directives de Guide du propriétaire concernant la réglementation fédérale.

Caractéristiques techniques

Modèle	Efficiency (Minimum/Maximum)	Input (kW)	Output (kW)
H60WTS	75.0/85.0	10.0	10.0
H130WTS	75.0/85.0	13.0	13.0
HBF66WTS	75.0/85.0	16.0	16.0

• Chauffage: 120 VAC
• Fréquence: 60 Hz
• Câble d'alimentation électrique (à batterie) et à l'écart de l'appareil. Ne pas laisser le cordon toucher tous les composants.

• Avant de nettoyer le ventilateur, couper l'alimentation de l'unité. Retirez ensuite le panneau arrière et, au besoin, les panneaux latéraux et débranchez l'assemblage ventilateur. Retirez les vis nécessaires. Remplacez le ventilateur par un neuf et remettez le processus ci-dessus.

ATTENTION : Les pièces mobiles peuvent causer des blessures. Ne pas utiliser l'appareil avec des couvercles retirés.

DANGER : Risque de choc électrique. Couper le courant avant de servir l'unité.

• Ce produit peut être couvert par un ou plusieurs brevets américains ou internationaux ou en instance de brevet aux États-Unis ou dans d'autres pays. Pour plus d'informations, veuillez visiter www.enercogroup.com/patents

Représente une marque de produits de construction émettant des particules de 2000 réponde aux normes d'émission de particules de 2000 établies par l'U.S. ENVIRONMENTAL PROTECTION AGENCY. On doit installer de granulés de bois de qualité élevée.

Technical Requirements

- Refer to the title block for all unspecified dimensional tolerances.
- For color requirements refer to the provided electronic data.
- The same batch must have color uniformity throughout.
- The label must have clear fonts, be free of curling, missing marks, chromatic aberration, and flow marks.
- Material: Etched Metal
- Background: Silver Metal; Text: Black

UNLESS OTHERWISE SPECIFIED:		NAME	DATE
DIMENSIONS ARE IN INCHES		CREATED	CZ
TOLERANCES:			2022.12.01
TWO PLACE DECIMAL: ± .030			
THREE PLACE DECIMAL: ± .005			
HOLES: ± .004			
ANGULAR: ± 1 DEG.			
FRACTIONAL DIMENSIONS: ± 1/64			
INTERPRET GEOMETRIC TOLERANCING PER: N/A		TITLE:	
MATERIAL		LABEL, RATE, PELLET STOVE, TS, MODEL H	
SEE NOTES		SIZE: A4	DWG.NO. 66892
FINISH			REV B
DO NOT SCALE DRAWING		SCALE: N/A	WEIGHT: N/A
		SHEET 1 OF 1	



PROPRIETARY AND CONFIDENTIAL THE INFORMATION CONTAINED IN THIS DRAWING IS THE SOLE PROPERTY OF ENERCO GROUP, INC. ANY REPRODUCTION IN PART OR AS A WHOLE WITHOUT THE WRITTEN PERMISSION OF ENERCO GROUP, INC. IS PROHIBITED.

Model No / N° de modèle :

- H60WTS
 H130WTS
 HBF66WTS

DATE OF MANUFACTURE / DATE DE FABRICATION											
2024	2025	2026	JAN	FEB	MAR	APR	MAY	JUN	JUL	AUG	SEP
2024	2025	2026	JANV	FÉV	MAR	AVR	MAI	JUIN	JUIL	AOÛT	SEPT



CAUTION: HOT WHILE IN OPERATION. DO NOT TOUCH. KEEP CHILDREN, CLOTHING, AND FURNITURE AWAY. CONTACT MAY CAUSE SKIN BURNS. SEE NAMEPLATE AND INSTRUCTIONS.



ATTENTION : BRÛLANT DURANT LE FONCTIONNEMENT. NE PAS TOUCHER. GARDER LES ENFANTS, LES VÊTEMENTS ET L'AMEUBLEMENT ÉLOIGNÉS. LE CONTACT POURRAIT CAUSER DES BRÛLURES. VOIR LA FICHE SIGNALÉTIQUE ET LES INSTRUCTIONS.

MINIMUM CLEARANCES TO COMBUSTIBLES

When installed on a combustible floor, non-combustible floor protection is required to cover the area beneath the heater and extend at least 18" (457 mm) to the front and at least 8" (203 mm) beyond each side of the room heater. The room heater shall not be less than 13" (330 mm) from the side and 2" (51 mm) from the rear to combustible materials. The vent pipe must be at least 3" (76 mm) from any wall. Minimum floor-to-ceiling distance 84" (2134 mm).

If the stove is to be installed on combustible flooring, the floor must be protected with non-insulated ember board. See manual for additional information on floor protection.

'B' - Vent Through Rear Wall / Événat à travers le mur arrière
 'E' - Vent With Vertical Vent Pipe / Événat avec tuyau d'événat vertical

FRONT OF HEATER / DEVANT DU POËLE
 NON-COMBUSTIBLE FLOOR PROTECTION /
 PROTECTEUR DE PLANCHER NON COMBUSTIBLE

	U.S.A.	CANADA
A	13" (330 mm)	13" (330 mm)
B	2" (51 mm)	2" (51 mm)
C	18" (457 mm)	18" (457 mm)
D	8" (203 mm)	8" (203 mm)
E	3" (76 mm)	3" (76 mm)

DÉGAGEMENTS MINIMAUX DE MATIÈRES COMBUSTIBLES

Pour installation sur un plancher combustible, une protection non combustible doit être placée sous le poêle en dépassant d'au-moins 457 mm (18 po) sur le devant et d'au moins 203 mm (8 po) sur les trois autres côtés de l'unité. L'unité devra être placée à non moins de 51 mm (2 po) du mur arrière et devra avoir au moins 330 mm (13 po) de dégagement sur les côtés. Le tuyau d'événat devra être dégagé d'au moins 76 mm (3 po) de tout mur. Distance minimale du plancher au plafond : 2 134 mm (84 po).

S'il est prévu que le poêle sera installé sur un plancher combustible, le plancher doit être protégé par planche de braise non isolée. Pour plus d'information sur les protecteurs de planchers, voir le manuel.

	ÉTATS-UNIS	CANADA
A	13 po (330 mm)	13 po (330 mm)
B	2 po (51 mm)	2 po (51 mm)
C	18 po (457 mm)	18 po (457 mm)
D	8 po (203 mm)	8 po (203 mm)
E	3 po (76 mm)	3 po (76 mm)

**SERIAL NUMBER
 NUMÉRO DE SÉRIE**

- Use a 3" (80 mm) diameter tube 'L' or 'PL' venting system approved for solid fuels.
- CAUTION:** Special methods are required when passing chimney through a wall or ceiling. Refer to manufacturer's instructions and local building codes.
- Inspect and Clean Exhaust Venting System Frequently.
- Install and Use Only in Accordance With Enerco Group, Inc.'s Installation and Operating Instructions.
- Contact Local Building or Fire Officials About Restrictions and Installation Inspection in Your Area.
- For Use With Wood Pellet Fuel Only.
- Do Not Connect This Unit to a Chimney Fuel Serving Another Appliance.
- Keep Viewing and Ash Removal Doors Tightly Closed During Operation.
- Room Heater, Pellet Fuel-Burning Type. Also Suitable For Use In Mobile Homes.

- To replace blower assembly, first unplug the unit, and then remove the rear and side panels as needed and disconnect blower assembly via the screws connecting it to the heater. Remove wiring connections. Replace with new blower assembly and repeat the above steps in reverse order.
- This heater is designed to burn only high quality wood pellets with a density of 700 kg/m³ and a water content of at least 8% of the weight of the pellets. Never use gasoline, gasoline-type lantern fuel, kerosene, charcoal lighter fluid, or similar liquids to start or 'freshen up' a fire in this heater. Keep all such liquids well away from the heater while it is in use. See manual for additional specifications for acceptable wood pellets.
- To be installed as a freestanding space heater with the clearances in the manufacturer's installation instructions. Not to be installed in any fireplace.
- Replace glass window with ceramic single-pane glass.

- Utiliser un tuyau d'événat de type L ou PL de 80 mm (3 po) de diamètre approuvé pour poêles à combustible solide.
- ATTENTION :** Un montage différent doit être réalisé pour une installation de cheminée à travers un mur ou un toit. Se référer aux directives du fabricant et au code de la construction local.
- Inspecter et nettoyer le système d'événat de sortie fréquemment.
- Installer et utiliser seulement selon le Guide d'installation et de fonctionnement de Enerco Group Inc.
- Contacter les autorités du code de la construction ou le service d'incendie pour connaître les restrictions et les inspections d'approbation dans votre région.
- Pour utilisation avec granulés de bois seulement.
- Ne pas raccorder cette unité à une cheminée connectée à un autre appareil.
- Durant le fonctionnement, garder la porte de visionnement et la porte de retrait des cendres bien fermées. Poêle de type à granulés de bois. Adéquat pour utilisation dans les maisons mobiles.

- Pour remplacer l'ensemble ventilateur, débrancher en premier l'unité et puis déposer le panneau arrière et, au besoin, les panneaux latéraux et dévisser l'assemblage ventilateur. Débrancher les fils raccordés. Remplacer le ventilateur par un neuf et inverser la procédure ci-dessus.
- Ce poêle est conçu pour consommer seulement des granulés de bois de qualité élevée, d'une densité de 700 kg/m³ comprenant un taux d'humidité maximal de 8%. Ne jamais utiliser de liquide d'allumage de charbon, de kérosène, d'huile à lampe ou d'essence pour allumer ou ré-activer le feu dans cette unité. Garder toutes ces substances bien à l'écart du poêle lors de son fonctionnement. Pour d'autres spécifications de granulés de bois acceptables, se référer au manuel.
- À installer comme appareil de chauffage autonome avec les dégagements indiqués dans les instructions d'installation du fabricant. Ne doit pas être installé dans une cheminée.
- Remplacer la fenêtre vitrée par du verre de céramique à vitrage unique.

MODEL	BURN RATE (kg/hr) (dry)			PARTICULATE EMISSIONS (g/hr)
	HIGH	MED	LOW	
H60WTS	1.98	0.92	0.72	1.3
H130WTS	2.19	1.28	0.90	1.6
HBF66WTS	2.12	1.07	0.79	1.1

Electrical Information

- Voltage: 120 VAC
- Frequency: 60 Hz
- Route power cord away behind and away from the unit. Do not allow the power cord to touch any hot components.
- To clean blower assembly, first disconnect power to the unit. Then remove the rear panel and use a vacuum cleaner to remove any dust accumulation on the blower's blades or inside the blower duct.
- CAUTION:** Moving Parts May Cause Injury. Do Not Operate Unit With Any Covers Removed.
- CAUTION:** Hot Parts. Do Not Operate Unit With Any Components Removed.
- DANGER:** Risk of Electric Shock. Disconnect Power Before Servicing Unit.

- U.S. ENVIRONMENTAL PROTECTION AGENCY Certified to comply with 2020 particulate emission standards using pellet fuel.
- This wood heater needs periodic inspection and repair for proper operation. Consult the owner's manual for further information. It is against federal regulations to operate this wood heater in a manner inconsistent with the operating instructions in the owner's manual.

For Mobile Homes

- Do not obstruct combustion air openings.
- OPERATE ONLY WITH DOORS CLOSED.
- Must supply fresh air from outside mobile home via air inlet connection on the back of the heater.
- This product may be covered by one or more US or international patents or pending patent applications in the US and other countries. Please visit www.energogroupinc.com/patents for more information.

MODÈLE	TAUX DE CONSOMMATION (kg/h)			ÉMISSION DE PARTICULES (g/h)
	ÉLEVÉ	MOYEN	BAS	
H60WTS	1.98	0.92	0.72	1.3
H130WTS	2.19	1.28	0.90	1.6
HBF66WTS	2.12	1.07	0.79	1.1

Information électrique

- Tension : 120 Vc.a.
- Fréquence : 60 Hz
- Placer le cordon d'alimentation hors de nuire derrière et à l'éloignement de l'unité. Ne pas laisser le cordon toucher toute pièce chaude.
- Avant de nettoyer le ventilateur, couper l'alimentation de l'unité. Retirer ensuite le panneau arrière et à l'aide d'un aspirateur, nettoyer toute accumulation de poussière sur les pales du ventilateur et à l'intérieur de la canalisation.
- ATTENTION :** Les pièces mobiles peuvent causer des blessures. Ne pas faire fonctionner l'unité avec ses panneaux d'écran retirés.
- ATTENTION :** Pièces chaudes. Ne pas faire fonctionner l'unité avec des pièces retirés.
- DANGER :** Potentiel de choc électrique. Couper l'alimentation avant d'entretenir l'unité.

- Homologue conforme aux normes d'émission de particules de 2020 stipulées par U.S. ENVIRONMENTAL PROTECTION AGENCY, lors de l'utilisation de granulés de bois de qualité.
- Pour un bon rendement de fonctionnement ce poêle à granulés de bois nécessite un entretien périodique. Pour plus d'information, consulter le Guide du propriétaire. Toute opération ne respectant pas les directives du Guide du propriétaire contrevient à la réglementation fédérale.
- Pour maisons mobiles**
- Ne pas obstruer les ouvertures d'air de combustion.
- NE FAIRE FONCTIONNER QU'AVEC LES PORTES DE L'UNITÉ FERMÉES.
- De l'air frais de l'extérieur de la maison mobile doit être alimenté par la prise d'air à l'arrière de l'unité.
- Ce produit peut être couvert par un ou plusieurs brevets américains ou internationaux ou en instance de brevet aux États-Unis ou dans d'autres pays. Pour plus d'information, veuillez visiter www.energogroupinc.com/patents

Reportez-vous au répertoire des produits de construction d'Intertek (<https://bpdirectory.intertek.com>) pour obtenir des informations détaillées.

Brevet Américain en Instance

- ASTM E2515-2017 Standard Test Method for Determination of Particulate Matter Emissions Collected by a Dilution Tunnel
- ASTM E2779-2017 Standard Test Method for Determining Particulate Matter Emissions from Pellet Heaters
- CSA B415.1-22 Performance Testing of Solid-Fuel-Burning Heating Appliances
- EPA AL1-146 Medium Burn Rate Calculation
- ASTM E1509-22 Standard Specification for Room Heaters, Pellet Fuel-Burning Type
- CANULOC-S627-2023 Standard For Space Heaters For Use With Solid Fuels. Also Suitable For Use In Mobile Homes

Refer to the Intertek Directory of Building Products (<https://bpdirectory.intertek.com>) for detailed information.
 Enerco Group, Inc. | 4560 W160th Street, Cleveland, Ohio 44135 | 1-800-251-0001
 Made in China



US Patent Pending

- ASTM E2515-2017 Méthode d'essai standard pour la détermination des émissions de particules collectées par un tunnel de dilution
- ASTM E2779-2017 Méthode d'essai standard pour déterminer les émissions de particules des appareils de chauffage à granulés
- CSA B415.1-22 Essais de performance d'appareils de chauffage consommant un carburant solide
- EPA AL1-146 Calcul du taux de combustion moyen
- ASTM E1509-22 Spécification standard pour les appareils de chauffage, type à granulés de bois
- CANULOC-S627-2023 Norme pour les appareils de chauffage à utiliser avec des combustibles solides. Convient également pour une utilisation dans les maisons mobiles

Reportez-vous au répertoire des produits de construction d'Intertek (<https://bpdirectory.intertek.com>) pour obtenir des informations détaillées.

Enerco Group, Inc. | 4560 W160th Street, Cleveland, Ohio 44135 | 1-800-251-0001
 Fabriqué en Chine

REV	DESCRIPTION OF CHANGE	DATE	CHANGED BY
A	NEW RELEASE	2022.12.01	CZ
B	Updated to PFS & New Standards	2024.02.13	CZ

FXXXXXX	J60WTS
FXXXXXX	J130WTS
FXXXXXX	JBF66WTS

USED ON

6.75"

7.5"

Modèle / Type de modèle :

J60WTS
 J130WTS
 JBF66WTS

DATE OF MANUFACTURE / DATE DE FABRICATION

2024	2025	2026	2027	2028	2029	2030	2031	2032	2033	2034	2035
JAN	FEB	MAR	APR	MAY	JUN	JUL	AUG	SEPT	OCT	NOV	DEC

CAUTION: HOT WHILE IN OPERATION. DO NOT TOUCH. KEEP CHILDREN, CLOTHING, AND FURNITURE AWAY. CONTACT MAY CAUSE SKIN BURNS. SEE NAMEPLATE AND INSTRUCTIONS.

ATTENTION : BRÛLANT DURANT LE FONCTIONNEMENT. NE PAS TOUCHER. GARDER LES ENFANTS, LES VÊTEMENTS ET L'AMEUBLEMENT ÉLOIGNÉS. LE CONTACT POURRAIT CAUSER DES BRÛLURES. VOIR LA FICHE SIGNALÉTIQUE ET LES INSTRUCTIONS.

MINIMUM CLEARANCES TO COMBUSTIBLES

When installed on a combustible floor, the hearth extension is required to cover the area beneath the hearth and extend at least 18" (457 mm) to the front and at least 24" (610 mm) beyond each side of the room heater. The room heater shall not be less than 12" (330 mm) from the side and 24" (610 mm) from the rear to combustible materials. The vent pipe must be at least 3" (76 mm) from any wall. Minimum clearance from floor-to-ceiling distance is 8' (2.44 m).

If the stove is to be installed on combustible flooring, the floor must be protected with non-combustible underlayment. See manual for additional information on floor protection.

✓ Vent Through Rear Wall: Vent to travels to rear joints
 ✓ Vent With Vertical Vent Pipe: Vent with type-approved vent pipe.

PROTECTION DES MATIÈRES COMBUSTIBLES

DÉGAÏMENTS MINIMAUX DE MATIÈRES COMBUSTIBLES

Lors de l'installation sur un plancher combustible, le projecteur doit couvrir la zone sous le poêle et dépasser d'au moins 457 mm (18 po) au devant et d'au moins 610 mm (24 po) au-delà de chaque côté de la pièce. Le poêle doit être à moins de 12" (330 mm) de la paroi et à moins de 24" (610 mm) du mur arrière. La cheminée doit être à au moins 3" (76 mm) de tout mur. La distance minimale du plancher au plafond est de 2,44 m (8 po).

S'il est prévu que le poêle sera installé sur un plancher combustible, le plancher doit être protégé par un revêtement non combustible. Voir le manuel pour plus d'informations sur les protections de planchers, voir le manuel.

USA	CA	MEXICO	USA	CA	MEXICO
2024	2025	2026	2027	2028	2029
JAN	FEB	MAR	APR	MAY	JUN
JUL	AUG	SEPT	OCT	NOV	DEC

SERIAL NUMBER / NUMÉRO DE SÉRIE

1	2	3	4	5	6	7	8	9	0

Use a 3" (80 mm) diameter type L or P5 venting system approved for solid fuel.

CAUTION: Special methods are required when passing chimney through a wall or ceiling. Refer to manufacturer's instructions and local building codes.

Inspect and Clean Exhaust Venting System Frequently.

Install and Use Only in Accordance With Enesco Plans, Inc.'s Installation and Operating Instructions, Contact Local Building or Fire Officials About Restrictions on Installation and Operation in Your Area.

Do Not Consume This Unit as a Chimney Fuel Burning Another Appliance.

Always Venting and Air Return Doors Tightly Closed During Operation.

Room Heater, Pellet Fuel Burning Type. Also Suitable For Use in Mobile Homes.

- To replace blower assembly, first unplug the unit, and then remove the rear and side panels as needed and disconnect blower assembly via the power connecting it to the heater. Remove wiring connections. Replace with new blower assembly and repeat the above steps in reverse order.
- This heater is designed to burn only high quality wood having a moisture content of 20% or less. Do not burn water content of at least 4% of the weight of the wood. Never burn green, wet, or freshly cut timber, fuel, newspapers, charcoal, lighter fluid, or similar fuels. Do not burn anything that is not a wood product. Keep all such loads well away from the heater while it is in use. See manual for additional specifications for acceptable wood pellets.
- To be installed as a heating/heating space heater with the clearances in the manufacturer's installation instructions. Not to be installed in any fireplace.
- U.S. ENVIRONMENTAL PROTECTION AGENCY Certified to comply with 2000 particulate emission standards using pellet fuel.
- The wood heater meets periodic inspection and repair for proper operation. Consult the owner's manual for further information. It is against federal regulations to operate this wood heater in a manner inconsistent with the operating instructions in the owner's manual.

Enesco Heaters

• Do not allow combustible air openings.
 OPERATE ONLY WITH DOORS CLOSED.

• All pellet supply lines from outside mobile home via air inlet connection on the back of the heater.

• This product may be covered by one or more US or International patents or pending patent applications in the US and other countries. Please visit www.enescoproducts.com/patents for more information.

ATN12015-2017
 OIA1611-12
 ATN12018-20
 OIA1612-18

Méthode d'essai standard pour la détermination des émissions de particules collectées par un filtre de dilution.
 Essai de performance d'appareils de chauffage à combustion à cartouche solide.
 Spécification standard pour les appareils de chauffage, type à granulés de bois.
 Normes pour les appareils de chauffage à utiliser avec des combustibles solides. Conformément à une utilisation dans les maisons mobiles.

USA	CA	MEXICO	USA	CA	MEXICO
2024	2025	2026	2027	2028	2029
JAN	FEB	MAR	APR	MAY	JUN
JUL	AUG	SEPT	OCT	NOV	DEC

SERIAL NUMBER / NUMÉRO DE SÉRIE

1	2	3	4	5	6	7	8	9	0

- Technical Requirements**
- Refer to the title block for all unspecified dimensional tolerances.
 - For color requirements refer to the provided electronic data.
 - The same batch must have color uniformity throughout.
 - The label must have clear fonts, be free of curling, missing marks, chromatic aberration, and flow marks.
 - Material: Etched Metal
 - Background: Silver Metal; Text: Black

UNLESS OTHERWISE SPECIFIED: DIMENSIONS ARE IN INCHES TOLERANCES: TWO PLACE DECIMAL: ± .030 THREE PLACE DECIMAL: ± .005 HOLES: ± .004 ANGULAR: ± 1 DEG. FRACTIONAL DIMENSIONS: ± 1/64	NAME	DATE				
INTERPRET GEOMETRIC TOLERANCING PER: N/A	CREATED	CZ	2022.12.01			
MATERIAL FINISH	<p style="margin: 0;">TITLE:</p> <h2 style="margin: 0;">LABEL, RATE, PELLET STOVE, TS, MODEL J</h2>					
SEE NOTES				SIZE: A4	DWG.NO. 66894	REV B
DO NOT SCALE DRAWING	<p>PROPRIETARY AND CONFIDENTIAL THE INFORMATION CONTAINED IN THIS DRAWING IS THE SOLE PROPERTY OF ENESCO GROUP, INC. ANY REPRODUCTION IN PART OR AS A WHOLE WITHOUT THE WRITTEN PERMISSION OF ENESCO GROUP, INC. IS PROHIBITED.</p>			SCALE: N/A	WEIGHT: N/A	SHEET 1 OF 1



ATN12015-2017
 OIA1611-12
 ATN12018-20
 OIA1612-18

Méthode d'essai standard pour la détermination des émissions de particules collectées par un filtre de dilution.
 Essai de performance d'appareils de chauffage à combustion à cartouche solide.
 Spécification standard pour les appareils de chauffage, type à granulés de bois.
 Normes pour les appareils de chauffage à utiliser avec des combustibles solides. Conformément à une utilisation dans les maisons mobiles.

Model No / N° de modèle :

- J60WTS
 J130WTS
 JBF66WTS

DATE OF MANUFACTURE / DATE DE FABRICATION														
2024	2025	2026	JAN	FEB	MAR	APR	MAY	JUN	JUL	AUG	SEP	OCT	NOV	DEC
2024	2025	2026	JANV	FÉV	MAR	AVR	MAI	JUIN	JUIL	AOÛT	SEPT	OCT	NOV	DÉC



CAUTION: HOT WHILE IN OPERATION. DO NOT TOUCH. KEEP CHILDREN, CLOTHING, AND FURNITURE AWAY. CONTACT MAY CAUSE SKIN BURNS. SEE NAMEPLATE AND INSTRUCTIONS.



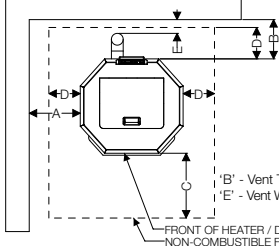
ATTENTION : BRÛLANT DURANT LE FONCTIONNEMENT. NE PAS TOUCHER. GARDER LES ENFANTS, LES VÊTEMENTS ET L'AMEUBLEMENT ÉLOIGNÉS. LE CONTACT POURRAIT CAUSER DES BRÛLURES. VOIR LA FICHE SIGNALÉTIQUE ET LES INSTRUCTIONS.

MINIMUM CLEARANCES TO COMBUSTIBLES

When installed on a combustible floor, non-combustible floor protection is required to cover the area beneath the heater and extend at least 18" (457 mm) to the front and at least 8" (203 mm) beyond each side of the room heater. The room heater shall not be less than 13" (330 mm) from the side and 2" (51 mm) from the rear to combustible materials. The vent pipe must be at least 3" (76 mm) from any wall. Minimum floor-to-ceiling distance 84" (2134 mm).

If the stove is to be installed on combustible flooring, the floor must be protected with non-insulated ember board. See manual for additional information on floor protection.

'B' - Vent Through Rear Wall/ Évén à travers le mur arrière
'E' - Vent With Vertical Vent Pipe/ Évén avec tuyau d'évén vertical



FRONT OF HEATER / DEVANT DU POËLE
NON-COMBUSTIBLE FLOOR PROTECTION /
PROTECTEUR DE PLANCHER NON COMBUSTIBLE

DÉGAGEMENTS MINIMAUX DE MATIÈRES COMBUSTIBLES

Pour installation sur un plancher combustible, une protection non combustible doit être placée sous le poêle en dépassant d'au moins 457 mm (18 po) sur le devant et d'au moins 203 mm (8 po) sur les trois autres côtés de l'unité. L'unité devra être placée à non moins de 51 mm (2 po) du mur arrière et devra avoir au moins 330 mm (13 po) de dégagement sur les côtés. Le tuyau d'évén devra être dégagé d'au moins 76 mm (3 po) de tout mur. Distance minimale du plancher au plafond : 2 134 mm (84 po).

S'il est prévu que le poêle sera installé sur un plancher combustible, le plancher doit être protégé par planche de braise non isolée. Pour plus d'information sur les protecteurs de planchers, voir le manuel.

	U.S.A.	CANADA	ÉTATS-UNIS	CANADA
A	13" (330 mm)	13" (330 mm)	A 13 po (330 mm)	13 po (330 mm)
B	2" (51 mm)	2" (51 mm)	B 2 po (51 mm)	2 po (51 mm)
C	18" (457 mm)	18" (457 mm)	C 18 po (457 mm)	18 po (457 mm)
D	8" (203 mm)	8" (203 mm)	D 8 po (203 mm)	8 po (203 mm)
E	3" (76 mm)	3" (76 mm)	E 3 po (76 mm)	3 po (76 mm)

**SERIAL NUMBER
NUMÉRO DE SÉRIE**

- Use a 3" (80 mm) diameter type 'L' or 'PL' venting system approved for solid fuels.
- CAUTION:** Special methods are required when passing chimney through a wall or ceiling. Refer to manufacturer's instructions and local building codes.
- Inspect and Clean Exhaust Venting System Frequently.
- Install and Use Only in Accordance With Enerco Group, Inc.'s Installation and Operating Instructions.
- Contact Local Building or Fire Officials About Restrictions and Installation Inspection in Your Area.
- For Use With Wood Pellet Fuel Only.
- Do Not Connect This Unit to a Chimney Fuel Serving Another Appliance.
- Keep Viewing and Ash Removal Doors Tightly Closed During Operation.
- Room Heater, Pellet Fuel-Burning Type. Also Suitable For Use In Mobile Homes.

MODEL	BURN RATE (kg/hr) (dry)			PARTICULATE EMISSIONS (g/hr)
	HIGH	MED	LOW	
J60WTS	1.98	0.92	0.72	1.3
J130WTS	2.19	1.28	0.90	1.6
JBF66WTS	2.12	1.07	0.79	1.1

Electrical Information

- Voltage: 120 VAC
- Frequency: 60 Hz
- Route power cord away behind and away from the unit. Do not allow the power cord to touch any hot components.
- To clean blower assembly, first disconnect power to the unit. Then remove the rear panel and use a vacuum cleaner to remove any dust accumulation on the blower's blades or inside the blower duct.
- CAUTION:** Moving Parts May Cause Injury. Do Not Operate Unit With Any Covers Removed.
- CAUTION:** Hot Parts. Do Not Operate Unit With Any Components Removed.
- DANGER:** Risk of Electric Shock. Disconnect Power Before Servicing Unit.

- To replace blower assembly, first unplug the unit, and then remove the rear and side panels as needed and disconnect blower assembly via the screws connecting it to the heater. Remove wiring connections. Replace with new blower assembly and repeat the above steps in reverse order.
- This heater is designed to burn only high quality wood pellets with a density of 700 kg/m³ and a water content of at least 8% of the weight of the pellets. Never use gasoline, gasoline-type lantern fuel, kerosene, charcoal liquid fuel, or similar liquids to start or 'freshen up' a fire in this heater. Keep all such liquids well away from the heater while it is in use. See manual for additional specifications for acceptable wood pellets.
- To be installed as a freestanding space heater with the clearances in the manufacturer's installation instructions. Not to be installed in any fireplace.
- Replace glass window with ceramic single-pane glass.
- U.S. ENVIRONMENTAL PROTECTION AGENCY Certified to comply with 2020 particulate emission standards using pellet fuel.
- This wood heater needs periodic inspection and repair for proper operation. Consult the owner's manual for further information. It is against federal regulations to operate this wood heater in a manner inconsistent with the operating instructions in the owner's manual.

For Mobile Homes

- Do not obstruct combustion air openings.
- OPERATE ONLY WITH DOORS CLOSED.
- Must supply fresh air from outside mobile home via air inlet connection on the back of the heater.
- This product may be covered by one or more US or international patents or pending patent applications in the US and other countries. Please visit www.enercogroupinc.com/patents for more information.

- Utiliser un tuyau d'évén de type L ou PL de 80 mm (3 po) de diamètre approuvé pour poêles à combustible solide.
- ATTENTION :** Un montage différent doit être réalisé pour une installation de cheminée à travers un mur ou un toit. Se référer aux directives du fabricant et au code de la construction local.
- Inspecter et nettoyer le système d'évén de sortie fréquemment.
- Installer et utiliser seulement selon le Guide d'installation et de fonctionnement de Enerco Group Inc.
- Contacter les autorités du code de la construction ou le service d'incendie pour connaître les restrictions et les inspections d'approbation dans votre région.
- Pour utilisation avec granulés de bois seulement.
- Ne pas raccorder cette unité à une cheminée connectée à un autre appareil.
- Durant le fonctionnement, garder la porte de visionnement et la porte de retrait des cendres bien fermées. Poêle de type à granulés de bois. Adéquat pour utilisation dans les maisons mobiles.

MODÈLE	TAUX DE CONSOMMATION (kg/h)			ÉMISSION DE PARTICULES (g/h)
	ÉLEVÉ	MOYEN	BAS	
J60WTS	1.98	0.92	0.72	1.3
J130WTS	2.19	1.28	0.90	1.6
JBF66WTS	2.12	1.07	0.79	1.1

Information électrique

- Tension : 120 V.c.a.
- Fréquence : 60 Hz
- Placer le cordon d'alimentation hors de nuire derrière en s'éloignant de l'unité. Ne pas laisser le cordon toucher toute pièce chaude.
- Avant de nettoyer le ventilateur, couper l'alimentation de l'unité. Retirer ensuite le panneau arrière et à l'aide d'un aspirateur, nettoyer toute accumulation de poussière sur les pales du ventilateur et à l'intérieur de la canalisation.
- ATTENTION :** Les pièces mobiles peuvent causer des blessures. Ne pas faire fonctionner l'unité avec ses panneaux d'écran retirés.
- ATTENTION :** Pièces chaudes. Ne pas faire fonctionner l'unité avec des pièces retirées.
- DANGER :** Potentiel de choc électrique. Couper l'alimentation avant d'entretenir l'unité.

- Pour remplacer l'ensemble ventilateur, débrancher en premier l'unité et puis déposer le panneau arrière et, au besoin, les panneaux latéraux et dévisser l'assemblage ventilateur. Débrancher les fils raccordés. Remplacer le ventilateur par un neuf et inverser la procédure ci-dessus.
- Ce poêle est conçu pour consommer seulement des granulés de bois de qualité élevée, d'une densité de 700 kg/m³ comprenant un taux d'humidité maximal de 8 %. Ne jamais utiliser de liquide d'allumage de charbon, de kérosène, d'huile à lampe ou d'essence pour allumer ou ré-activer le feu dans cette unité. Garder toutes ces substances bien à l'écart du poêle lors de son fonctionnement. Pour d'autres spécifications de granulés de bois acceptables, se référer au manuel.
- À installer comme appareil de chauffage autonome avec les dégagements indiqués dans les instructions d'installation du fabricant. Ne doit pas être installé dans une cheminée.
- Remplacer la vitre intérieure par du verre de céramique à vitrage unifié.
- Homologué conforme aux normes d'émission de particules de 2020 stipulées par U.S. ENVIRONMENTAL PROTECTION AGENCY, lors de l'utilisation de granulés de bois de qualité.
- Pour un bon rendement de fonctionnement ce poêle à granulés de bois nécessite un entretien périodique. Pour plus d'information, consulter le Guide du propriétaire. Toute opération ne respectant pas les directives du Guide du propriétaire contrevient à la réglementation fédérale.
- Plus maisons mobiles**
- Ne pas obstruer les ouvertures d'air de combustion.
- NE FAIRE FONCTIONNER QU'AVEC LES PORTES DE L'UNITÉ FERMÉES.
- De l'air frais de l'extérieur de la maison mobile doit être alimenté par la prise d'air à l'arrière de l'unité.
- Ce produit peut être couvert par un ou plusieurs brevets américains ou internationaux ou en instance de brevet aux États-Unis ou dans d'autres pays. Pour plus d'information, veuillez visiter www.enercogroupinc.com/patents
- Reportez-vous au répertoire des produits de construction d'Intertek (<https://bpdirectory.intertek.com/>) pour obtenir des informations détaillées.

Brevet Américain en Instance

ASTM E2515-2017 Standard Test Method for Determination of Particulate Matter Emissions Collected by a Dilution Tunnel
ASTM E2779-2017 Standard Test Method for Determining Particulate Matter Emissions from Pellet Heaters
CSA B415.1-22 Performance Testing of Solid-Fuel-Burning Heating Appliances
EPA ALT-146 Medium Burn Rate Calculation
ASTM E1509-22 Standard Spec. cation for Room Heaters, Pellet Fuel-Burning Type
CANULC-S627-2023 Standard For Space Heaters For Use With Solid Fuels. Also Suitable For Use In Mobile Homes



Report Number: F23-240

US Patent Pending

Méthode d'essai standard pour la détermination des émissions de particules collectées par un tunnel de dilution
Méthode d'essai standard pour déterminer les émissions de particules des appareils de chauffage à granulés
CSA B415.1-22 Essais de performance d'appareils de chauffage consommant un carburant solide
EPA ALT-146 Calcul du taux de combustion moyen
ASTM E1509-22 Spécification standard pour les appareils de chauffage, type à granulés de bois
CANULC-S627-2023 Norme pour les appareils de chauffage à utiliser avec des combustibles solides. Convient également pour une utilisation dans les maisons mobiles

Reportez-vous au répertoire des produits de construction d'Intertek (<https://bpdirectory.intertek.com/>) pour obtenir des informations détaillées.

Enerco Group, Inc. | 4560 W160th Street, Cleveland, Ohio 44135 | 1-800-251-0001
Fabriqué en Chine

Refer to the Intertek Directory of Building Products (<https://bpdirectory.intertek.com/>) for detailed information.
Enerco Group, Inc. | 4560 W160th Street, Cleveland, Ohio 44135 | 1-800-251-0001
Made in China

REV	DESCRIPTION OF CHANGE	DATE	CHANGED BY
A	NEW RELEASE	2024.02.13	CZ

FXXXXXX	PS60WTS
FXXXXXX	PS130WTS
FXXXXXX	PSBF66WTS

USED ON

6.75"

Model No./N° de modèle:

PFS60WTS

PS130WTS

PSBF66WTS

DATE OF MANUFACTURE / DATE DE FABRICATION

2024	2025	2026	2027	JAN	FEB	MAR	APR	MAY	JUN	JUL	AUG	SEP	OCT	NOV	DEC
2024	2025	2026	2027	JAN	FEB	MAR	APR	MAY	JUN	JUL	AUG	SEP	OCT	NOV	DEC

CAUTION: HOT WHILE IN OPERATION. DO NOT TOUCH. KEEP CHILDREN, CLOTHING, AND FURNITURE AWAY. CONTACT MAY CAUSE SKIN BURNS. SEE NAMEPLATE AND INSTRUCTIONS.

ATTENTION : BRÛLANT DURANT LE FONCTIONNEMENT. NE PAS TOUCHER. GARDER LES ENFANTS, LES VÊTEMENTS ET L'AMEUBLEMENT ÉLOIGNÉS. LE CONTACT POURRAIT CAUSER DES BRÛLURES. VOIR LA FICHE SIGNALÉTIQUE ET LES INSTRUCTIONS.

MINIMUM CLEARANCES TO COMBUSTIBLES

When installed on a combustible floor, non-combustible floor protection is required to cover the area beneath the heater and extend at least 18" (457 mm) to the front and at least 6" (203 mm) beyond each side of the room heater. The room heater shall not be less than 12" (305 mm) from the side and 2" (51 mm) from the rear to combustible materials. The vent pipe must be at least 3" (76 mm) from any wall.

DÉGAGEMENTS MINIMAUX DE MATIÈRES COMBUSTIBLES

Pour installation sur un plancher combustible, une protection non combustible doit couvrir l'espace sous le chauffage et s'étendre d'au moins 457 mm (18 po) en avant et d'au moins 203 mm (8 po) sur les trois autres côtés de l'unité. L'unité devra être placée de façon à laisser au moins 305 mm (12 po) d'espace devant et au moins 51 mm (2 po) d'espace derrière sur les côtés. La tuyauterie devra être délogée d'au moins 76 mm (3 po) de tout mur.

TYPE	PROFOND	ÉLÉVATION	PROFOND
1	18"	6"	12"
2	18"	6"	12"
3	18"	6"	12"
4	18"	6"	12"
5	18"	6"	12"
6	18"	6"	12"
7	18"	6"	12"
8	18"	6"	12"
9	18"	6"	12"
10	18"	6"	12"
11	18"	6"	12"
12	18"	6"	12"
13	18"	6"	12"
14	18"	6"	12"
15	18"	6"	12"
16	18"	6"	12"
17	18"	6"	12"
18	18"	6"	12"
19	18"	6"	12"
20	18"	6"	12"
21	18"	6"	12"
22	18"	6"	12"
23	18"	6"	12"
24	18"	6"	12"
25	18"	6"	12"
26	18"	6"	12"
27	18"	6"	12"
28	18"	6"	12"
29	18"	6"	12"
30	18"	6"	12"
31	18"	6"	12"
32	18"	6"	12"
33	18"	6"	12"
34	18"	6"	12"
35	18"	6"	12"
36	18"	6"	12"
37	18"	6"	12"
38	18"	6"	12"
39	18"	6"	12"
40	18"	6"	12"
41	18"	6"	12"
42	18"	6"	12"
43	18"	6"	12"
44	18"	6"	12"
45	18"	6"	12"
46	18"	6"	12"
47	18"	6"	12"
48	18"	6"	12"
49	18"	6"	12"
50	18"	6"	12"
51	18"	6"	12"
52	18"	6"	12"
53	18"	6"	12"
54	18"	6"	12"
55	18"	6"	12"
56	18"	6"	12"
57	18"	6"	12"
58	18"	6"	12"
59	18"	6"	12"
60	18"	6"	12"
61	18"	6"	12"
62	18"	6"	12"
63	18"	6"	12"
64	18"	6"	12"
65	18"	6"	12"
66	18"	6"	12"
67	18"	6"	12"
68	18"	6"	12"
69	18"	6"	12"
70	18"	6"	12"
71	18"	6"	12"
72	18"	6"	12"
73	18"	6"	12"
74	18"	6"	12"
75	18"	6"	12"
76	18"	6"	12"
77	18"	6"	12"
78	18"	6"	12"
79	18"	6"	12"
80	18"	6"	12"
81	18"	6"	12"
82	18"	6"	12"
83	18"	6"	12"
84	18"	6"	12"
85	18"	6"	12"
86	18"	6"	12"
87	18"	6"	12"
88	18"	6"	12"
89	18"	6"	12"
90	18"	6"	12"
91	18"	6"	12"
92	18"	6"	12"
93	18"	6"	12"
94	18"	6"	12"
95	18"	6"	12"
96	18"	6"	12"
97	18"	6"	12"
98	18"	6"	12"
99	18"	6"	12"
100	18"	6"	12"

Technical Requirements

- Refer to the title block for all unspecified dimensional tolerances.
- For color requirements refer to the provided electronic data.
- The same batch must have color uniformity throughout.
- The label must have clear fonts, be free of curling, missing marks, chromatic aberration, and flow marks.
- Material: Etched Metal
- Background: Silver Metal; Text: Black

UNLESS OTHERWISE SPECIFIED:		NAME	DATE
DIMENSIONS ARE IN INCHES TOLERANCES: TWO PLACE DECIMAL: ± .030 THREE PLACE DECIMAL: ± .005 HOLES: ± .004 ANGULAR: ± 1 DEG. FRACTIONAL DIMENSIONS: ± 1/64		CREATED	CZ
INTERPRET GEOMETRIC TOLERANCING PER: N/A		<p>PROPRIETARY AND CONFIDENTIAL THE INFORMATION CONTAINED IN THIS DRAWING IS THE SOLE PROPERTY OF ENERCO GROUP, INC. ANY REPRODUCTION IN PART OR AS A WHOLE WITHOUT THE WRITTEN PERMISSION OF ENERCO GROUP, INC. IS PROHIBITED.</p>	
MATERIAL SEE NOTES			
FINISH		<p>EGi enerco group inc.</p> <p>Mr Heater HEATSTAR ENERCO FLEX-TECH</p>	
DO NOT SCALE DRAWING		<p>TITLE: LABEL, RATE, PELLET STOVE, TS, MODEL PS</p>	
SIZE: A4	DWG.NO.	66945	REV
		A	
SCALE: N/A		WEIGHT: N/A	SHEET 1 OF 1

- PS60WTS
- PS130WTS
- PSBF66WTS



CAUTION: HOT WHILE IN OPERATION. DO NOT TOUCH. KEEP CHILDREN, CLOTHING, AND FURNITURE AWAY. CONTACT MAY CAUSE SKIN BURNS. SEE NAMEPLATE AND INSTRUCTIONS.

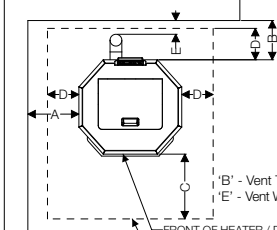


ATTENTION : BRÛLANT DURANT LE FONCTIONNEMENT. NE PAS TOUCHER. GARDER LES ENFANTS, LES VÊTEMENTS ET L'AMEUBLEMENT ÉLOIGNÉS. LE CONTACT POURRAIT CAUSER DES BRÛLURES. VOIR LA FICHE SIGNALÉTIQUE ET LES INSTRUCTIONS.

MINIMUM CLEARANCES TO COMBUSTIBLES

When installed on a combustible floor, non-combustible floor protection is required to cover the area beneath the heater and extend at least 18" (457 mm) to the front and at least 8" (203 mm) beyond each side of the room heater. The room heater shall not be less than 13" (330 mm) from the side and 2" (51 mm) from the rear to combustible materials. The vent pipe must be at least 3" (76 mm) from any wall. Minimum floor-to-ceiling distance 84" (2134 mm).

If the stove is to be installed on combustible flooring, the floor must be protected with non-insulated ember board. See manual for additional information on floor protection.



'B' - Vent Through Rear Wall/ Événat à travers le mur arrière
'E' - Vent With Vertical Vent Pipe/ Événat avec tuyau d'événat vertical

	U.S.A.	CANADA
A	13" (330 mm)	13" (330 mm)
B	2" (51 mm)	2" (51 mm)
C	18" (457 mm)	18" (457 mm)
D	8" (203 mm)	8" (203 mm)
E	3" (76 mm)	3" (76 mm)

DÉGAGEMENTS MINIMAUX DE MATIÈRES COMBUSTIBLES

Pour installation sur un plancher combustible, une protection non combustible doit être placée sous le poêle en dépassant d'au-moins 457 mm (18 po) sur le devant et d'au moins 203 mm (8 po) sur les trois autres côtés de l'unité. L'unité devra être placée à non moins de 51 mm (2 po) du mur arrière et devra avoir au moins 330 mm (13 po) de dégagement sur les côtés. Le tuyau/d'événat devra être dégagé d'au moins 76 mm (3 po) de tout mur. Distance minimale du plancher au plafond : 2 134 mm (84 po).

S'il est prévu que le poêle sera installé sur un plancher combustible, le plancher doit être protégé par planche de braise non isolée. Pour plus d'information sur les protecteurs de planchers, voir le manuel.

**SERIAL NUMBER
NUMÉRO DE SÉRIE**

- Use a 3" (80 mm) diameter type 'L' or 'PL' venting system approved for solid fuels.
- **CAUTION:** Special methods are required when passing chimney through a wall or ceiling. Refer to manufacturer's instructions and local building codes.
- Inspect and Clean Exhaust Venting System Frequently.
- Install and Use Only in Accordance With Enerco Group, Inc.'s Installation and Operating Instructions.
- Contact Local Building or Fire Officials About Restrictions and Installation Inspection in Your Area.
- For Use With Wood Pellet Fuel Only.
- Do Not Connect This Unit to a Chimney Fuel Serving Another Appliance.
- Keep Viewing and Ash Removal Doors Tightly Closed During Operation.
- Room Heater, Pellet Fuel-Burning Type. Also Suitable For Use In Mobile Homes.

MODEL	BURN RATE (kg/hr) (dry)			PARTICULATE EMISSIONS (g/hr)
	HIGH	MED	LOW	
PS60WTS	1.98	0.92	0.72	1.3
PS130WTS	2.19	1.28	0.90	1.6
PSBF66WTS	2.12	1.07	0.79	1.1

Electrical Information

- Voltage: 120 VAC
- Frequency: 60 Hz
- Route power cord away behind and away from the unit. Do not allow the power cord to touch any hot components.
- To clean blower assembly, first disconnect power to the unit. Then remove the rear panel and use a vacuum cleaner to remove any dust accumulation on the blower's blades or inside the blower duct.
- **CAUTION:** Moving Parts May Cause Injury. Do Not Operate Unit With Any Covers Removed.
- **CAUTION:** Hot Parts. Do Not Operate Unit With Any Components Removed.
- **DANGER:** Risk of Electric Shock. Disconnect Power Before Servicing Unit.

- Current: 3.3 A
- Phase: Single Ø

- To replace blower assembly, first unplug the unit, and then remove the rear and side panels as needed and disconnect blower assembly via the screws connecting it to the heater. Remove wiring connections. Replace with new blower assembly and repeat the above steps in reverse order.
- This heater is designed to burn only high quality wood pellets with a density of 700 kg/m³ and a water content of at least 8% of the weight of the pellets. Never use gasoline, gasoline-type lantern fuel, kerosene, charcoal lighter fluid, or similar liquids to start or 'freshen up' a fire in this heater. Keep all such liquids well away from the heater while it is in use. See manual for additional specifications for acceptable wood pellets.
- To be installed as a freestanding space heater with the clearances in the manufacturer's installation instructions. Not to be installed in any fireplace.
- Replace glass window with ceramic single-pane glass.

- U.S. ENVIRONMENTAL PROTECTION AGENCY Certified to comply with 2020 particulate emission standards using pellet fuel.
- This wood heater needs periodic inspection and repair for proper operation. Consult the owner's manual for further information. It is against federal regulations to operate this wood heater in a manner inconsistent with the operating instructions in the owner's manual.

For Mobile Homes

- Do not obstruct combustion air openings.
- OPERATE ONLY WITH DOORS CLOSED.
- Must supply fresh air from outside mobile home via air inlet connection on the back of the heater.
- This product may be covered by one or more US or international patents or pending patent applications in the US and other countries. Please visit www.enercogroupinc.com/patents for more information.

- Utiliser un tuyau d'événat de type L ou PL de 80 mm (3 po) de diamètre approuvé pour poêles à combustible solide.
- **ATTENTION :** Un montage différent doit être réalisé pour une installation de cheminée à travers un mur ou un toit. Se référer aux directives du fabricant et au code de la construction local.
- Inspecter et nettoyer le système d'événat de sortie fréquemment.
- Installer et utiliser seulement selon le Guide d'installation et de fonctionnement de Enerco Group Inc.
- Contacter les autorités du code de la construction ou le service d'incendie pour connaître les restrictions et les inspections d'approbation dans votre région.
- Pour utilisation avec granulés de bois seulement.
- Ne pas raccorder cette unité à une cheminée connectée à un autre appareil.
- Durant le fonctionnement, garder la porte de ventilation et la porte de retrait des cendres bien fermées. Poêle de type à granulés de bois. Adéquat pour utilisation dans des maisons mobiles.

MODÈLE	TAUX DE CONSOMMATION (g/h)			ÉMISSION DE PARTICULES (g/h)
	ÉLEVÉ	MOYEN	BAS	
PS60WTS	1.98	0.92	0.72	1.3
PS130WTS	2.19	1.28	0.90	1.6
PSBF66WTS	2.12	1.07	0.79	1.1

Information électrique

- Tension : 120 Vc.a.
- Fréquence : 60 Hz
- Placer le cordon d'alimentation hors de nuire derrière s'éloignant de l'unité. Ne pas laisser le cordon toucher toute pièce chaude.
- Avant de nettoyer le ventilateur, couper l'alimentation de l'unité. Retirer ensuite le panneau arrière et à l'aide d'un aspirateur, nettoyer toute accumulation de poussière sur les pales du ventilateur et à l'intérieur de la canalisation.
- **ATTENTION :** Les pièces mobiles peuvent causer des blessures. Ne pas faire fonctionner l'unité avec ses panneaux d'écran retirés.
- **DANGER :** Potentiel de choc électrique. Couper l'alimentation avant d'entretenir l'unité.
- Courant : 3,3 A
- Phase : 1 Ø

ASTM E2515-2017 Standard Test Method for Determination of Particulate Matter Emissions Collected by a Dilution Tunnel
ASTM E2779-2017 Standard Test Method for Determining Particulate Matter Emissions from Pellet Heaters
CSA B415.1-22 Performance Testing of Solid-Fuel-Burning Heating Appliances
EPA ALT-146 Medium Burn Rate Calculation
ASTM E1509-22 Standard Specification for Room Heaters, Pellet Fuel-Burning Type
CANULC-S627.2023 Standard For Space Heaters For Use With Solid Fuels. Also Suitable For Use In Mobile Homes

Refer to the Intertek Directory of Building Products (<https://bpdirectory.intertek.com>) for detailed information.

Enerco Group, Inc. | 4560 W160th Street, Cleveland, Ohio 44135 | 1-800-251-0001
Made in China



Report Number: F23-240

US Patent Pending

ASTM E2515-2017
ASTM E2779-2017
CSA B415.1-22
EPA ALT-146
ASTM E1509-22
CANULC-S627.2023

Méthode d'essai standard pour la détermination des émissions de particules collectées par un tunnel de dilution
Méthode d'essai standard pour déterminer les émissions de particules des appareils de chauffage à granulés
Essais de performance d'appareils de chauffage consommant un carburant solide
Calcul du taux de combustion moyen
Spécification standard pour les appareils de chauffage, type à granulés de bois
Norme pour les appareils de chauffage à utiliser avec des combustibles solides. Convient également pour une utilisation dans les maisons mobiles

Reportez-vous au répertoire des produits de construction d'Intertek (<https://bpdirectory.intertek.com>) pour obtenir des informations détaillées.

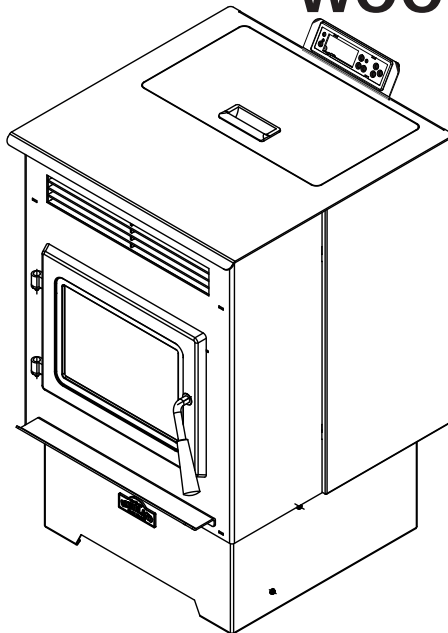
Enerco Group, Inc. | 4560 W160th Street, Cleveland, Ohio 44135 | 1-800-251-0001
Fabriqué en Chine

INSTALLER: Leave this manual with the appliance.

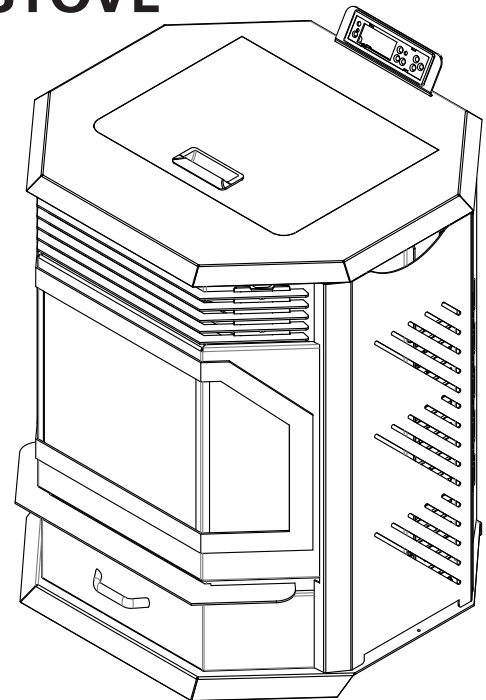
CONSUMER: Save these Instructions for future reference.

	<h1>OPERATING INSTRUCTIONS AND OWNER'S MANUAL</h1>	Model # C60W C130W CBF66W
<p>READ INSTRUCTIONS CAREFULLY: Please read this entire manual before installation and use of this pellet fuel-burning room heater. Failure to follow these instructions could result in property damage, bodily injury or even death. Do not allow anyone who has not read these instructions to assemble, light, adjust or operate the stove. Place instructions in a safe place for future reference.</p>		

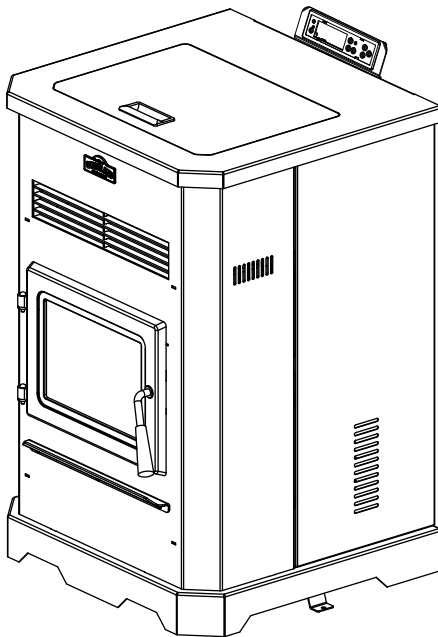
WOOD PELLET FIRE STOVE



C60W



CBF66W



C130W



THE AUTHORITY HAVING JURISDICTION (SUCH AS MUNICIPAL BUILDING DEPARTMENT, FIRE DEPARTMENT, FIRE PREVENTION BUREAU, ETC.) SHOULD BE CONSULTED BEFORE INSTALLATION TO DETERMINE ANY NEED TO OBTAIN A PERMIT. OBSERVE ALL LOCAL BUILDING CODES.

GENERAL HAZARD WARNING:

⚠ FAILURE TO COMPLY WITH THE PRECAUTIONS AND INSTRUCTIONS PROVIDED WITH THIS STOVE CAN RESULT IN DEATH, SERIOUS BODILY INJURY AND PROPERTY LOSS OR DAMAGE FROM HAZARDS OF FIRE, EXPLOSION, BURN, ASPHYXIATION, CARBON MONOXIDE POISONING, AND/OR ELECTRICAL SHOCK.

⚠ ONLY PERSONS WHO CAN UNDERSTAND AND FOLLOW THE INSTRUCTIONS SHOULD USE OR SERVICE THIS STOVE.

⚠ IF YOU NEED ASSISTANCE OR STOVE INFORMATION SUCH AS AN INSTRUCTIONS MANUAL, LABELS, ETC. CONTACT THE MANUFACTURER.

WARNING:

⚠ FIRE, BURN, INHALATION, AND EXPLOSION HAZARD. KEEP SOLID COMBUSTIBLES, SUCH AS BUILDING MATERIALS, PAPER OR CARDBOARD, A SAFE DISTANCE AWAY FROM THE STOVE AS RECOMMENDED BY THE INSTRUCTIONS NEVER USE THE STOVE IN SPACES WHICH DO OR MAY CONTAIN VOLATILE OR AIRBORNE COMBUSTIBLES, OR PRODUCTS SUCH AS GASOLINE, SOLVENTS, PAINT THINNER, DUST PARTICLES OR UNKNOWN CHEMICALS.

⚠ **WARNING:** This product can expose you to chemicals including lead and lead compounds, which are known to the State of California to cause cancer and birth defects or other reproductive harm. For more information visit www.P65Warnings.ca.gov

Contents

SPECIFICATIONS.....3

GETTING STARTED.....4

SAFETY PRECAUTIONS.....5

CLEARANCE TO COMBUSTIBLES.....6

UNPACKING & ASSEMBLY.....7

INSTALLATION.....8

ADDITIONAL MOBILE HOME REQUIREMENTS ..12

OPERATION.....14

SMART STOVE WIFI CONNECTION.....16

WIFI CONTROLS.....17

MULTI FUNCTION CONTROLS.....18

MANUAL STOVE OPERATION.....19

MAINTENANCE.....20

CLEANING SCHEDULE.....24

TROUBLESHOOTING.....27

WIRING DIAGRAM.....30

SERVICE PARTS.....31

FCC INFORMATION

CAUTION: Changes or modifications not expressly approved by the party responsible for compliance could void the user’s authority to operate the equipment.

NOTE: This equipment has been tested and found to comply with the limits for a Class B digital device, pursuant to part 15 of the FCC Rules. These limits are designed to provide reasonable protection against harmful interference in a residential installation. This equipment generates, uses and can radiate radio frequency energy and, if not installed and used in accordance with the instructions, may cause harmful interference to radio communications. However, there is no guarantee that interference will not occur in a particular installation. If this equipment does cause harmful interference to radio or television reception, which can be determined by turning the equipment off and on, the user is encouraged to try to correct the interference by one or more of the following measures:

- Reorient or relocate the receiving antenna.
- Increase the separation between the equipment and receiver.
- Connect the equipment into an outlet on a circuit different from that to which the receiver is connected.
- Consult the dealer or an experienced radio/TV technician for help.

SPECIFICATIONS

Model #	C60W	C130W	CBF66W
DIMENSIONS			
Stove Weight [LBS (kg)]	198 (90)	221 (100)	265 (120)
Stove Dimensions LxWxH [in (cm)]	23.5" x 21.75 " x 33.25" (59.7 x 55.2 x 84.5)	24.0" x 24.5 " x 36.5" (61.0 x 62.2 x 92.7)	26.18" x 24.53 " x 30.39" (66.5 x 62.3 x 77.2)
Air Inlet Pipe Diameter [in (mm)]	2" (50)	2" (50)	2" (50)
Air Outlet Pipe Diameter [in (mm)]	3" (80)	3" (80)	3" (80)
Pellet Hopper Capacity [LBS (kg)]	60 (27.2)	130 (59.0)	66 (29.9)
OPERATION SPECIFICATIONS			
Fuel	Wood Pellet	Wood Pellet	Wood Pellet
Heats approximately ** [ft ² (m ²)]	1500 - 2200 (139 - 204)	2000 - 3000 (186 - 279)	1800 - 2500 (167 - 232)
Carbon Monoxide Produced (g/min)	0.32 on High 0.18 on Low	0.20 on High 0.36 on Low	0.11 on High 0.21 on Low
Pellet Consumption Rate Low [LBS/HR (kg/HR)]	1.59 (0.72 - Dry)	1.98 (0.90 - Dry)	1.74 (0.79 - Dry)
Pellet Consumption Rate Medium [LBS/HR (kg/HR)]	2.03 (0.92 - Dry)	2.82 (1.28 - Dry)	2.36 (1.07 - Dry)
Pellet Consumption Rate High [LBS/HR (kg/HR)]	4.37 (1.98 - Dry)	4.83 (2.19 - Dry)	4.67 (2.12 - Dry)
Stove Efficiency	84%	77%	80%
Heat Output Rate Low [BTU/HR (kW)]	10,771 (3.16)	12,746 (3.74)	11,624 (3.41)
Heat Output Rate Medium [BTU/HR (kW)]	13,910 (4.08)	18,088 (5.30)	15,511 (4.55)
Heat Output Rate High [BTU/HR (kW)]	30,124 (8.83)	29,501 (8.65)	30,173 (8.84)
ELECTRICAL SPECIFICATIONS			
Electrical Supply Requirements [Voltage / Frequency / Phase]	120V / 60 Hz / Single	120V / 60 Hz / Single	120V / 60 Hz / Single
Electric Current During Lighting Phase [Amperes]	3.3	3.3	3.3
Auger Motor R.P.M.	2.4	2.4	2.4

This manual describes the installation and operation of the wood pellet fire stove. This stove meets the applicable U.S. Environmental Protection Agency's emission limits for pellet fired heaters sold after 2020. Under specific test conditions these stoves have been shown to deliver heat at rates ranging from:

C60W: 10,771 to 30,124 Btu/hr

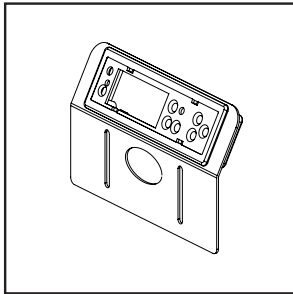
C130W: 12,746 to 29,501 Btu/hr

CBF66W: 11,624 to 30,173 Btu/hr

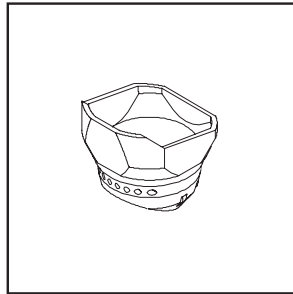
*BTU input/output will vary, depending on the brand of fuel you use in your Stove

** Depending on insulation rating of room and climate zone. Variations in climate and location affect attributes such as stove efficiency and CO produced.

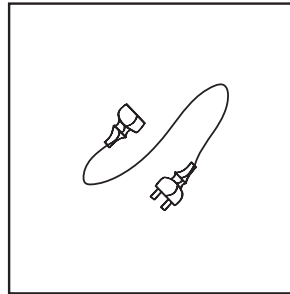
GETTING STARTED



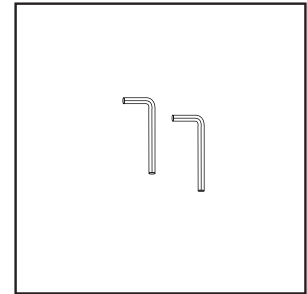
Display Panel



Firepot

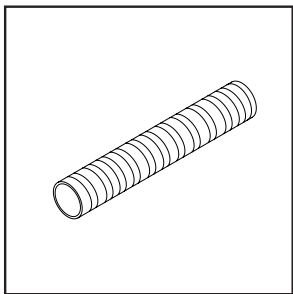


Main Power Cord

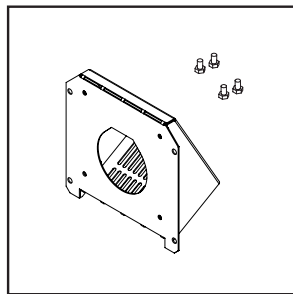


Allen Wrenches (x2)

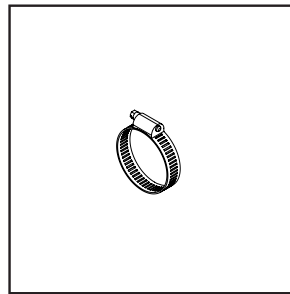
ACCESSORY KIT



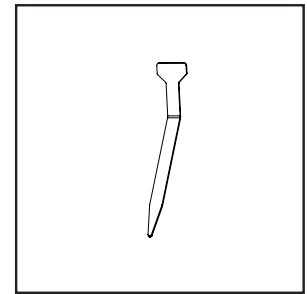
Flex Hose



Termination Cap and
Screws (x4)



Hose Clamp



Cleaning Tool

WHAT YOU'LL NEED (NOT SUPPLIED)

TOOLS REQUIRED

- Tape Measure
- Phillips Screwdriver or Comparable Electric Screw Driver & Drill Bit.
- Stud Finder
- Plumb Bob
- Reciprocating Saw
- High Temperature Silicone or High Temperature Sealant or High Temperature Flue Tape
- Floor Protection (see "FLOORING SPACE" and "FLOORING MATERIAL" on page 6)
- Manufactured venting of 3" (80mm) in diameter of type "L" or "PL" which is listed to UL 641, ULC S609 (Standard for 650 C Factory-Built Chimneys), or ULC/ORD C441. Install per chimney manufacturer's instructions (see page 9)

SAFETY EQUIPMENT (RECOMMENDED)

- Safety Glasses
- Gloves
- Closed-toed Shoes
- A friend (the stove is heavy, do not attempt to move the stove without assistance)

BATTERY INFORMATION

The remote that is shipped with your stove comes with one (1) 3V CR2025 Lithium Battery installed.

IMPORTANT:

- Non-rechargeable batteries are not to be recharged.
- Batteries are to be inserted with the correct polarity.
- Exhausted batteries are to be removed from the remote.
- Caution for ingestion.

⚠ WARNING: DO NOT DISPOSE OF BATTERIES IN FIRE. BATTERIES MAY EXPLODE OR LEAK.

⚠️ WARNING

- **INGESTION HAZARD:** This product contains a button cell or coin battery.
- **DEATH** or serious injury can occur if ingested.
- A swallowed button cell or coin battery can cause **Internal Chemical Burns** in as little as **2 hours**.
- **KEEP** new and used batteries **OUT OF REACH** of **CHILDREN**
- **Seek immediate medical attention** if a battery is suspected to be swallowed or inserted inside any part of the body.



- This product contains a lithium button/coin cell battery. If a new or used lithium button/coin cell battery is swallowed or enters the body, it can cause severe internal burns and can lead to death in as little as 2 hours. Always completely secure the battery compartment. If the battery compartment does not close securely, stop using the product, remove the batteries, and keep it away from children. If you think batteries might have been swallowed or placed inside any part of the body, seek immediate medical attention. Call a local poison control center for treatment information.
- Remove and immediately recycle or dispose of used batteries according to local regulations and keep away from children. Do NOT dispose of batteries in household trash or incinerate. Even used batteries may cause severe injury or death.
- Non-rechargeable batteries are not to be recharged. Do not force discharge, recharge, disassemble, heat above (manufacturer's specified temperature rating) or incinerate. Doing so may result in injury due to venting, leakage or explosion resulting in chemical burns.
- Ensure the batteries are installed correctly according to polarity (+ and -). Do not mix old and new batteries, different brands or types of batteries, such as alkaline, carbon-zinc, or rechargeable batteries. Remove and immediately recycle or dispose of batteries from equipment not used for an extended period of time according to local regulations.

SAFETY PRECAUTIONS

HAVE AN ESTABLISHED PLAN FOR WHAT TO DO IN THE EVENT OF A FIRE. CONTACT YOUR LOCAL FIRE AUTHORITY TO ACQUIRE INFORMATION AND A PLAN FOR WHAT TO DO IN THE EVENT OF A CHIMNEY FIRE.

⚠️ WARNING: DO NOT INSTALL IN SLEEPING ROOM.

⚠️ CAUTION: HANDLE STOVE WITH CARE. AVOID STRIKING, SCRATCHING OR SLAMMING GLASS ASSEMBLIES. DO NOT OPERATE WITH CRACKED, BROKEN OR SCRATCHED GLASS.

⚠️ WARNING: HOT WHILE IN OPERATION. KEEP CHILDREN, CLOTHING AND FURNITURE AWAY. CONTACT MAY CAUSE SKIN BURNS.

⚠️ WARNING: NEVER LEAVE CHILDREN NEAR THE STOVE UNATTENDED WHILE THE STOVE IS OPERATING.

⚠️ WARNING: DO NOT OVERFIRE. OVERFIRING THE APPLIANCE MAY CAUSE A FIRE. IF THE UNIT OR CHIMNEY CONNECTOR GLOWS, YOU ARE OVERFIRING.

⚠️ WARNING: THIS WOOD HEATER HAS A MANUFACTURER-SET MINIMUM LOW BURN RATE THAT MUST NOT BE ALTERED. IT IS AGAINST FEDERAL REGULATIONS TO ALTER THIS SETTING OR OTHERWISE OPERATE THIS WOOD HEATER IN A MANNER INCONSISTENT WITH OPERATING INSTRUCTIONS IN THIS MANUAL.

CARBON MONOXIDE

WARNING:

⚠️ WHEN USED WITHOUT ADEQUATE COMBUSTION AND VENTILATION AIR, THIS STOVE MAY GIVE OFF EXCESSIVE CARBON MONOXIDE, AN ODORLESS, POISONOUS GAS.

WARNING:

⚠️ EARLY SIGNS OF CARBON MONOXIDE POISONING RESEMBLE THE FLU, WITH HEADACHE, DIZZINESS AND/OR NAUSEA. IF YOU HAVE THESE SIGNS, STOVE MAY NOT BE WORKING PROPERLY. GET FRESH AIR AT ONCE! HAVE STOVE SERVICED.

SOME PEOPLE - PREGNANT WOMEN, PERSONS WITH HEART OR LUNG DISEASE, ANEMIA, THOSE UNDER THE INFLUENCE OF ALCOHOL, THOSE AT HIGH ALTITUDES - ARE MORE AFFECTED BY CARBON MONOXIDE THAN OTHERS.

Regardless of how safe this stove is, every fuel burning appliance creates Carbon Monoxide. It is always a good plan to reduce risk to you and your loved ones as much as possible by installing a Carbon Monoxide detector. It is recommended to install monitors in areas that are expected to generate carbon monoxide such as heater fueling areas, pellet fuel bulk storage areas, or sheds containing hydronic heaters. Follow the installation, operation, & maintenance instructions provided by the manufacturer of your detector.

SMOKE DETECTORS

Have at least 1 smoke detector on each floor of your building. Follow the installation, operation, & maintenance instructions provided by the manufacturer of your detector. Avoid false alarms by placing the detector outside the immediate vicinity of the stove. Typically a good installation location for smoke detectors is near bedrooms.

FOR MORE SAFETY INFORMATION

For auxiliary information regarding pellet stove safety and operation information contact the National Fire Protection Association (NFPA) by mail at:

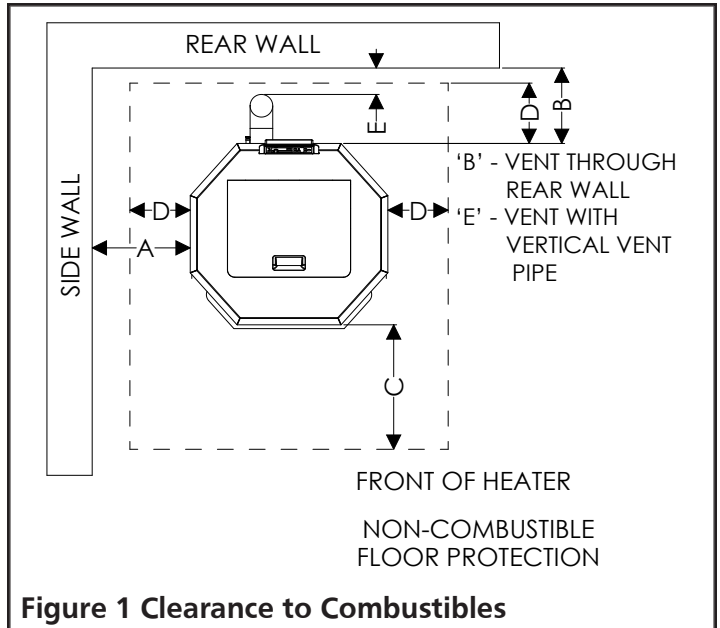
NFPA, Batterymarch Park, Quincy, MA 02269

or visit the NFPA website:

<https://www.nfpa.org/>

CLEARANCE TO COMBUSTIBLES

The following stated clearances represent the minimum distances between the stove and any other object. No objects should encroach into this space. This includes but is not limited to carpet, furniture, children, pets, clothing, fuel, or any other object. These clearances may only be reduced by means approved by the regulatory authority having jurisdiction.



	USA	CANADA
A	13" (330 mm)	13" (330 mm)
B	2" (51 mm)	2" (51 mm)
C	18" (457 mm)	18" (457 mm)
D	8" (203 mm)	8" (203 mm)
E	3" (76 mm)	3" (76 mm)

FLOORING SPACE & CLEARANCES

When installed on a combustible floor, non-combustible floor protection is required to:

- Cover the area beneath the stove and extend at least 18 inches (457 mm) to the front
- Cover the area at least 8 inches (203 mm) beyond each side of the room heater.
- Cover the area under the exhaust venting and 2 inches (50.8 mm) beyond each side.

Additionally, the wood pellet fire stove shall be positioned such that:

- It has at least 13" (330 mm) of clearance from the each side to the nearest body.

- It has at least 2" (51 mm) of clearance from the rear to the nearest body.
- Vertical runs of vent pipe must be at least 3" (76 mm) from any wall.

Finally, the area which the wood pellet fire stove is installed shall have a floor-to-ceiling distance of at least 84" (2134 mm).

FLOORING MATERIAL

Floor protection must be all of the following:

- Listed to UL 1618.
- At least 0.5" (13 mm) thick
- Constructed of non-combustible material.
- Have either:

Thermal resistance value R of $1.19 \frac{(\text{ft}^2)(\text{hr})(^\circ\text{F})}{\text{Btu}}$

Thermal conductivity value k of $0.84 \frac{(\text{Btu})(\text{inch})}{(\text{ft}^2)(\text{hr})(^\circ\text{F})}$

For assistance evaluating the suitability of substitute materials, the following equivalences of specifications and example below have been provided.

Thermal conductivity k = $\frac{\text{thickness}}{R} \left(\frac{(\text{Btu})(\text{inch})}{(\text{ft}^2)(\text{hr})(^\circ\text{F})} \text{ or } \frac{W}{(\text{m})(^\circ\text{K})} \right)$

Thermal conductance C = $\frac{1}{R} \left(\frac{(\text{Btu})}{(\text{ft}^2)(\text{hr})(^\circ\text{F})} \text{ or } \frac{W}{(\text{m}^2)(^\circ\text{K})} \right)$

Example: Required to protect floor with R value of $1.19 \frac{(\text{ft}^2)(\text{hr})(^\circ\text{F})}{\text{Btu}}$.

Evaluating merit of 2 inch (57 mm) thick brick with thermal conductivity k = $4.16 \frac{(\text{Btu})(\text{inch})}{(\text{ft}^2)(\text{hr})(^\circ\text{F})}$ on top of 1/2 inch (6.3 mm) thick mineral board that has C value of $2.3 \frac{(\text{Btu})}{(\text{ft}^2)(\text{hr})(^\circ\text{F})}$.

Step 1. Calculate the R value of each floor material

$$R_{\text{BRICK}} = \frac{\text{thickness}}{k} = \frac{2.25}{4.16} = 0.54$$

$$R_{\text{BOARD}} = \frac{1}{C} = \frac{1}{2.3} = 0.434$$

Step 2. Add the equivalent R values for each floor material

$$R_{\text{BRICK}} + R_{\text{BOARD}} = 0.54 + 0.434 = 0.974$$

Step 3. This combined R value is **insufficient** and so more protection must be provided. For example, by using 2 layers of bricks:

$$R_{\text{BRICK}} + R_{\text{BRICK}} + R_{\text{BOARD}} = 0.54 + 0.54 + 0.434 = 1.514$$

Step 4. Because this combined R value is larger than the specification, this is a sufficient method for protecting the floor area underneath the stove.

UNPACKING

1. Remove heater from carton.
2. Remove all protective packaging applied to heater for shipment.
3. Check heater for any shipping damage. If any damage is found immediately contact the manufacturer at 800-251-0001.

⚠ CAUTION: DAMAGED PARTS MAY COMPROMISE SAFE OPERATION.

- **DO NOT INSTALL INCOMPLETE COMPONENTS.**
- **DO NOT INSTALL SUBSTITUTE COMPONENTS.**
- **DO NOT INSTALL DAMAGED COMPONENTS.**

4. Some components are packaged unattached from the stove in order to ensure their safety during shipping. Please find the protective packaging, likely inside the stove door, to proceed with assembly.

ASSEMBLY

STEP 1 - Display Panel

Insert the display panel into the top and rear of the stove. Be sure that the display panel screen is facing towards the front of the stove. Secure the screen using two of the provided screws.

STEP 2 - Display Panel Power Cord

This cord should be wrapped up near the top of the stove. Insert free end into the back of the display panel (see figure 16 on page 15). This wire should already be connected to the stove's power board. This connection can be checked behind the access plate at the bottom and rear of stove.

STEP 3 - Main Power Cord

The main power cord attaches to the stove at the exposed socket in the rear of the stove. Once any necessary assembly of the display panel screen is complete, you may briefly plug your stove in and press red power button to ON to make sure that it functions properly before proceeding with installation. Turn OFF and unplug the stove once you confirm that the display panel works.

⚠ CAUTION: DO NOT LEAVE THE STOVE PLUGGED INTO ANY ELECTRICAL SUPPLY DURING ASSEMBLY OR INSTALLATION.

STEP 4 - Firepot

With the stove unplugged from any power supply, the firepot should be inserted into the stove so that it is securely positioned and also the hot surface igniter should be able to make physical contact with pellets that would be held in the firepot. See Figure 2 or 3.

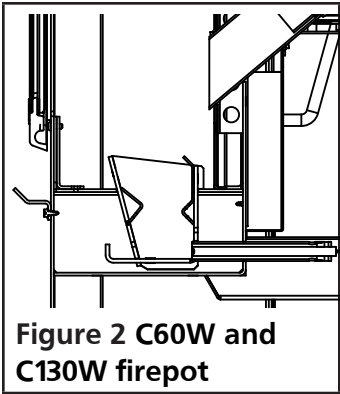


Figure 2 C60W and C130W firepot

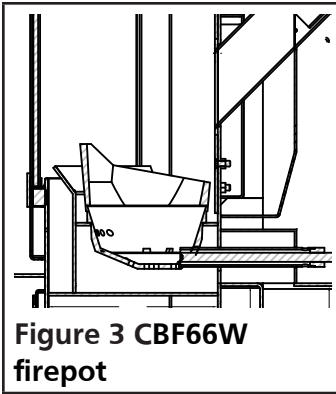


Figure 3 CBF66W firepot

A cleaning tool is also packaged which facilitates safely cleaning the firepot perforations of debris.

STEP 5 - Air Intake Kit

Locate the air intake kit packaged with the stove. See Figure 4. Take measurements of your space and plan for the installation of horizontal venting to the outside as may be required per recommendations in "FRESH AIR AND VENTILATION REQUIREMENTS 1" on page 9. Follow all ventilation requirements and guidelines specified in "INSTALLATION" on page 8.



Figure 4 Intake Kit

Additional Assembly C60W, C130W

- The door handle: open the door, and screw the plastic grip onto the thread of the handle.



Figure 5 Door Handle

INSTALLATION

CONTACT INFORMATION

If you have any questions regarding ventilation options of your stove, contact either:

The manufacturer Enerco Group at 1-800-251-0001. Our office hours are 8:00 AM – 5:00 PM, EST, Monday through Friday.

The National Fire Protection Association (NFPA) and request a copy of the latest editions of NFPA Standard 211. The mailing address of the NFPA is Batterymarch Park, Quincy, MA 02269.

⚠ WARNING: WHEN THIS STOVE IS NOT PROPERLY INSTALLED, A HOUSE FIRE MAY RESULT. TO REDUCE THE RISK OF FIRE, FOLLOW THE INSTALLATION INSTRUCTIONS. CONTACT LOCAL BUILDING OR FIRE OFFICIALS ABOUT RESTRICTIONS AND INSTALLATION INSPECTION REQUIREMENTS IN YOUR AREA.

⚠ CAUTION: ANY DEVIATION OR ALTERATION FROM THESE INSTALLATION INSTRUCTIONS MAY RESULT IN DAMAGE TO YOU, THE STOVE, YOUR CHIMNEY, AND YOUR HOME. YOUR WARRANTY MAY BECOME VOID. READ AND FOLLOW ALL INSTRUCTIONS. Contact manufacturer with any comments, concerns, or questions.

⚠ CAUTION: CONTACT LOCAL BUILDING OR FIRE OFFICIALS ABOUT RESTRICTIONS AND INSTALLATION INSPECTION REQUIREMENTS IN YOUR AREA.

PLANNING

Make sure that you have selected the correct stove for your heating requirements by checking the specifications table on page 3.

Take measurements of your space and plan for your chimney system as detailed in the following instructions.

This stove may be installed for use in a mobile home. In addition to the following instructions, review and adhere to the mandatory requirements on page 11.

ELECTRICAL CONSIDERATIONS

The rear of the stove will need to be within power cord distance, which is roughly 80 inches (203 cm), of an electrical outlet. Lay the power cord out such that it will not come into contact with the stove's surface.

FRESH AIR AND VENTILATION REQUIREMENTS

When deciding the location of the stove ensure that the space will always have a source of fresh air available. Failure to do so may result in air starvation of other fuel burning appliances and the possible development of hazardous conditions.

Provision for outside combustion air may be necessary to ensure that fuel-burning appliances do not discharge products of combustion into the house. Guidelines to determine the need for additional combustion air may not be adequate for every situation. If in doubt, it is advisable to provide additional air. Outside combustion air may be required if these or other indications suggest that infiltration air is inadequate:

- The wood pellet fired stove does not draw steadily, experiences smoke roll-out, burns poorly, or back-drafts, whether or not there is combustion present.
- Existing fuel-fired equipment in the house, such as fireplaces or other heating appliances, smell, do not operate properly, suffer smoke roll-out when opened, or back-draft, whether or not there is combustion present.
- Any of the above symptoms are alleviated by opening a window slightly on a calm (windless) day.
- The house is equipped with a well-sealed vapor barrier and tight fitting windows and/or has any powered devices which exhaust house air.
- There is excessive condensation on windows in the winter.
- A ventilation system is installed in the house.

Additional combustion air may be directly provided from the outdoors to the wood pellet fired stove by using the included air intake kit to connect to the inlet at the bottom and rear of the stove. Any such installation must satisfy Clause 4 of CSA Standard B365.

⚠ CAUTION: NEVER DRAW OUTSIDE COMBUSTION AIR FROM:

- A WALL, FLOOR OR CEILING CAVITY.
- AN ENCLOSED SPACE SUCH AS AN ATTIC, GARAGE OR CRAWL SPACE.

⚠ CAUTION: IF USING AN AIR INTAKE CONNECTION THEN THE STOVE MUST BE INSTALLED SUCH THAT IT IS ATTACHED TO THE STRUCTURE.

ADDITIONAL VENTING REQUIREMENTS

A minimum 6 feet of total vent pipe (not including elbows) must be utilized.

- Use 3" vent pipe for the entire system OR a 4"/6" adapter may be used on the exhaust immediately as it leaves the stove.
- If the system is above 16 feet, use 4" vent pipe.
- Minimum amount of vertical pipe is 4 feet and a 45 degree / vent cap is required at venting termination.

IMPORTANT: Silicone seal must be added between the double walls of the terminal pipe.

CONNECTOR REQUIREMENTS AND ASSEMBLY

⚠ CAUTION: A CHIMNEY CONNECTOR SHALL NOT PASS THROUGH AN ATTIC OR ROOF SPACE, CLOSET OR SIMILAR CONCEALED SPACE, OR A FLOOR, OR CEILING. WHERE PASSAGE THROUGH A WALL, OR PARTITION OF COMBUSTIBLE CONSTRUCTION IS DESIRED, THE INSTALLATION SHALL CONFORM TO CAN/CSA-B365, INSTALLATION CODE FOR SOLID-FUEL-BURNING APPLIANCES AND EQUIPMENT

Any connector pipes or elbows should be installed with the crimped end on the stove end of the path (not the chimney cap end) and should be secured with three evenly spaced sheet metal screws.

Connectors, elbows, and chimneys should be type 'L' or 'PL' and have a 80mm, or 3 inch diameter as the flue system is based on negative pressure in the combustion chamber and a slight overpressure on the flue gas outlet. It is therefore important that the flue gas connection is fitted correctly and is airtight. It is recommended that connectors, elbows, and chimneys be at least 24 gauge, double walled, type B ventilation.

Note that bends in the exhaust path restricts air flow, reducing performance and provides a collection point for ash deposits requiring more frequent cleaning.

⚠ CAUTION: THE JOINTS OF ANY AND ALL CONNECTIONS FOR ANY VENTILATION SYSTEMS (COMBUSTION EXHAUST AND OPTIONAL INLET AIR DUCT) MUST BE SEALED WITH HIGH TEMPERATURE SILICONE.

GENERAL VENTING REQUIREMENTS

⚠ CAUTION: DO NOT CONNECT TO ANY AIR DISTRIBUTION DUCT OR SYSTEM.

⚠ CAUTION: DO NOT CONNECT THIS UNIT TO A CHIMNEY FLUE SERVING ANOTHER APPLIANCE.

⚠ CAUTION: DO NOT INSTALL A FLUE DAMPER IN THE EXHAUST VENTING SYSTEM OF THIS WOOD PELLET FIRED STOVE.

⚠ CAUTION: DO NOT INSTALL IN ANY FIREPLACE.

This wood pellet fire stove must be connected to either of the following:

- Class A listed chimney complying with the requirements for Type HT chimneys in the Standard for Chimneys, Factory-Built, Residential Type and Building Heating Appliance, UL 103.
- A International Conference of Building Officials (ICBO) standards for solid fuel Stoves code-approved masonry chimney.

VENT TERMINATION

- Install exhaust vent at clearances specified by the vent manufacturer.
- Install exhaust vent terminations at clearances specified by the vent manufacturer.
- If using the air intake kit, ensure that there is at least 12 inches clearance between the exhaust vent termination and the intake air inlet.
- It is recommended to keep at least 12" (30.5 cm) of clearance between any vent termination and windows, doors, or outside corners.
- Use silicone to create an effective vapor barrier at the location where the chimney or other component penetrates to the exterior of the structure.
- For additional requirements check local codes.

Any vertically terminated chimney systems must meet the following minimum requirements:

- Must be at least 15 feet (4.6 m) tall, measured from the top of the stove to the tip of the chimney cap.
- Must be at least 3 feet above the roof, measured from the highest point of contact with the roof and the tip of the chimney cap.
- Must be at least 2 feet (61 cm) above the highest point of the slope of the roof within 10 feet (305 cm) horizontally.

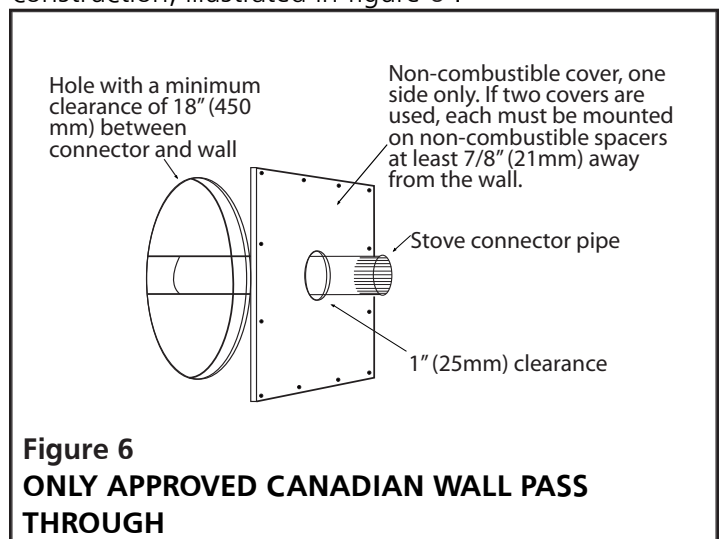
Any horizontally terminated chimney systems must meet the following minimum requirements:

- Must have at least 12" (30.5 cm) clearance above grade, veranda porch, deck or balcony (Including vegetation and mulch).

PASSING THROUGH A WALL

Where passage through a wall or partition of combustible construction is desired, the installation shall conform to chimney manufacturer's instructions.

NOTE: In Canada, installation must conform to CAN/CSA-B365 when passing through combustible construction, illustrated in figure 6 .



NFPA 211 (US ONLY) APPROVED WALL PASS THROUGH TECHNIQUES

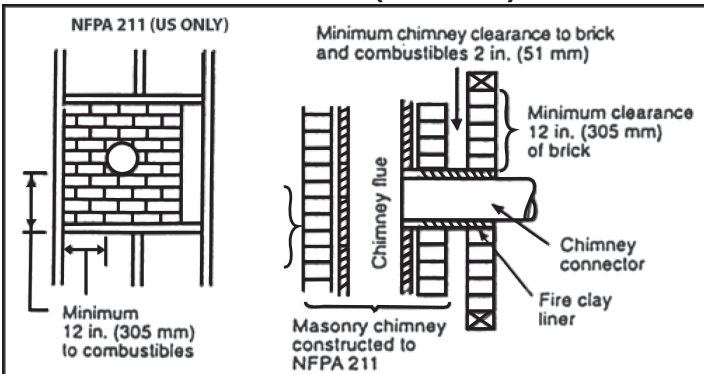


Figure 7 (US ONLY)

Brick Masonry: Minimum 3.5 inch (89 mm) thick brick masonry all framed into combustible wall with a minimum of 12 inch (305 mm) brick separation from clay liner to combustibles. The fireclay liner shall run from outer surface of brick wall to, but not beyond, the inner surface of chimney flue liner and shall be firmly cemented in place.

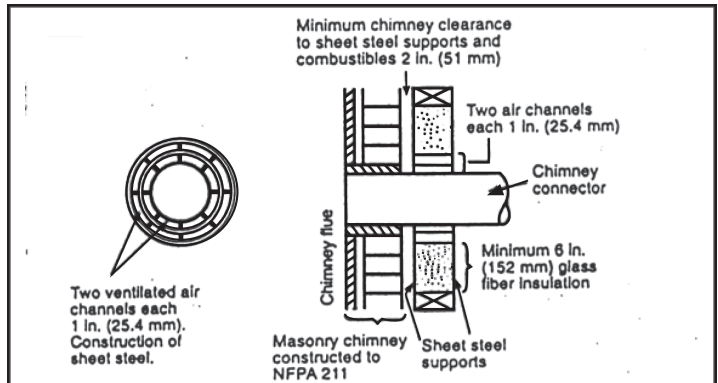


Figure 9 (US ONLY)

Ventilated Thimble: Sheet steel chimney connector, minimum 24 gauge in thickness, with a ventilated thimble, minimum 24 gauge in thickness, having two 1 inch (25.4 mm) air channels, separated from combustibles by a minimum of 6 inches (152 mm) of glass fiber insulation. Opening shall be covered, and thimble supported with a sheet steel support, minimum 24 gauge in thickness.

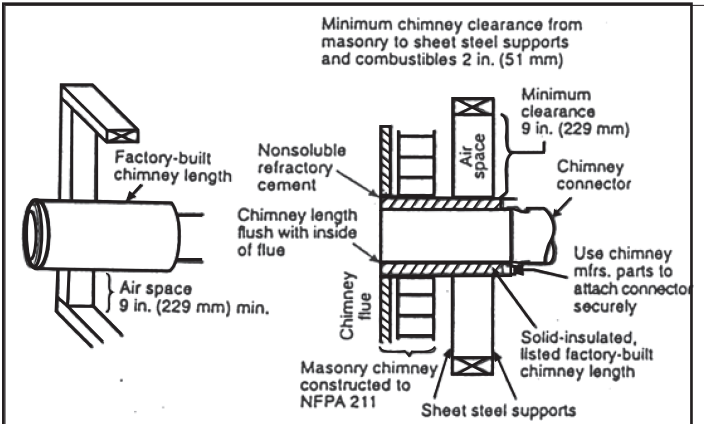


Figure 8 (US ONLY)

Insulated Sleeve: Solid-insulated, listed factory-built chimney length of the same inside diameter as the chimney connector and having 1 inch (25.4 mm) or more of insulation with a minimum 9 inch (229 mm) air space between the outer wall of the chimney length and combustibles.

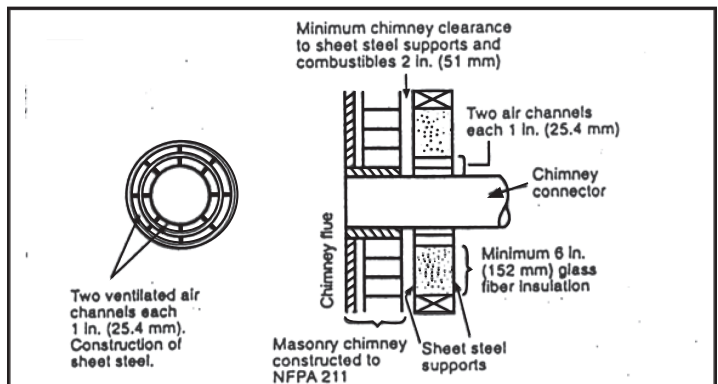


Figure 10 (US ONLY)

Chimney Section Pass-through: Solid insulated, listed factory-built chimney length with an inside diameter 2 inches (51 mm) larger than the chimney connector and having 1 inch (25.4 mm) or more of insulation, serving as a pass-through for a single wall sheet steel chimney connector of minimum 24 gauge thickness, with a minimum 2 inches (51 mm) of air space between the outer wall of chimney section and combustibles. Minimum length of chimney section shall be 12 inches (305 mm) chimney section spaced 1 inch (25.4 mm) away from connector using sheet steel support plates on both ends of chimney section. Opening shall be covered, and chimney section supported on both sides with sheet steel support securely fastened to wall surfaces of minimum 24 gauge thickness. Fasteners used to secure chimney section shall not penetrate chimney flue liner.

ADDITIONAL MOBILE HOME REQUIREMENTS

⚠ WARNING: DO NOT INSTALL IN SLEEPING ROOM.

PARTS & MATERIALS REQUIRED (NOT SUPPLIED)

- A 80mm diameter chimney which complies to UL 103, Standard for Factory-Built Chimneys for Residential Type and Building Heating Appliances.
- Ceiling thimble suitable for use in mobile home.
- Roof thimble suitable for use in mobile home.
- Spark arrestor suitable for use in mobile home.
- Roof flashing suitable for use in mobile home.

ADDITIONAL INSTALLATION REQUIREMENTS

- The chimney shall attach directly to the room heater and shall extend at least 3 feet (0.9 m) above the part of the roof through which it passes.
- The top of the chimney is to be at least 2 feet (0.6 m) above the highest required elevation of any part of the mobile home within 10 feet (3 m) of the chimney.
- All roof-chimney terminations shall be able to be readily removed at or below an elevation of 13½ feet (4.1 m) above ground level and reinstalled without the use of special tools or instructions.
- The chimney assembly shall be provided with a mechanical securement means to secure the chimney to the ceiling support box.
- Chimney Guard Requirements:
 - When the chimney exits the mobile home at a location other than through the roof, and exits at a point 7 feet (2.1 m) or less above the ground level on which the mobile home is positioned, a guard or method of enclosing the chimney shall be provided at the point of exit for a height up to 7 feet.
 - The chimney guard shall not have any openings large enough that a 3/4 inch diameter rod can enter.
 - The chimney guard shall not have any openings large enough that a 1/2 inch diameter rod can enter beyond 4 inches
- The stove must be on installed on a level surface which can support the weight of the stove.
- The stove must be bolted to the level surface so that it permanently secured and can not be moved, tipped, or have ventilation seals compromised.
- The stove must be provided a permanently ducted source of outside air to support combustion which meets the following requirements:
 - The duct must be made of metal exclusively, not other materials such as plastic.

- The end of this duct must be equipped with a screen which prevents rodents from infiltrating.
 - The end of this duct must be kept free of leaves, snow, ice, or other debris that could restrict air supply when the appliance is in operation.
- The joints of any and all connections for both of ventilation systems (the inlet air and the combustion exhaust) must be sealed with high temperature silicone.
 - The chimney must comply with all applicable codes and requirements of the authority having jurisdiction.
 - The chimney must be removed for any mobile home transportation, and reinstalled abiding all requirements after transportation.

The flue system is based on negative pressure in the combustion chamber and a slight overpressure on the flue gas outlet. It is therefore important that the flue gas connection is fitted correctly and is airtight.

⚠ CAUTION: THE STRUCTURAL INTEGRITY OF THE MOBILE HOME FLOOR, WALL, CEILING, AND ROOF MUST BE MAINTAINED.

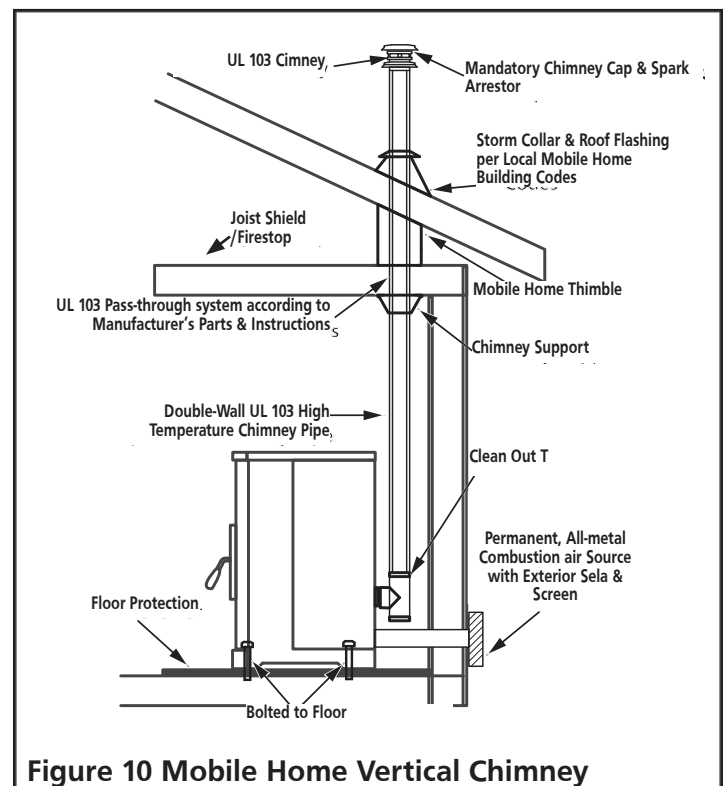
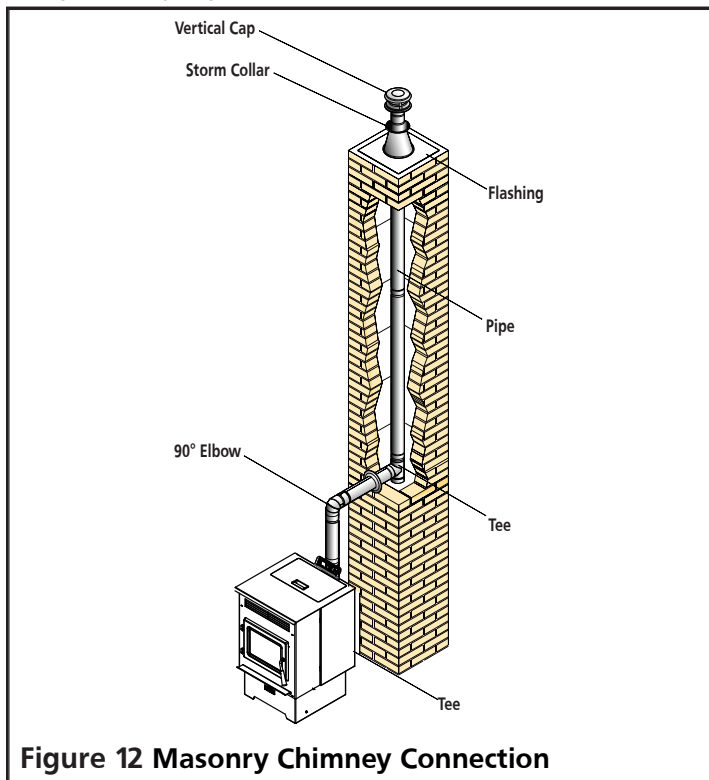


Figure 10 Mobile Home Vertical Chimney LINED MASONRY CHIMNEY INSTRUCTIONS & DIAGRAM

This stove is designed to be vented through a masonry chimney which conforms to local building codes, fire codes, and latest edition of NFPA 211 US or CAN/CSA-B365.

1. If the connection piping from the stove to a masonry chimney is made through a combustible wall, consult a qualified mason or chimney dealer for consultation. To ensure safety, the installation should only be done by a qualified installer. The installation must conform to the regulations established by local fire codes and building codes
2. The chimney connection must not be obstructed by the chimney connector pipes, such as the figure 12 below illustrates.



3. If there is an opening at the base of the chimney it must be closed tightly.

MANUFACTURED CHIMNEY INSTRUCTIONS & DIAGRAM

⚠ WARNING: DO NOT USE SINGLE-WALL CONNECTION PIPE AS A CHIMNEY.

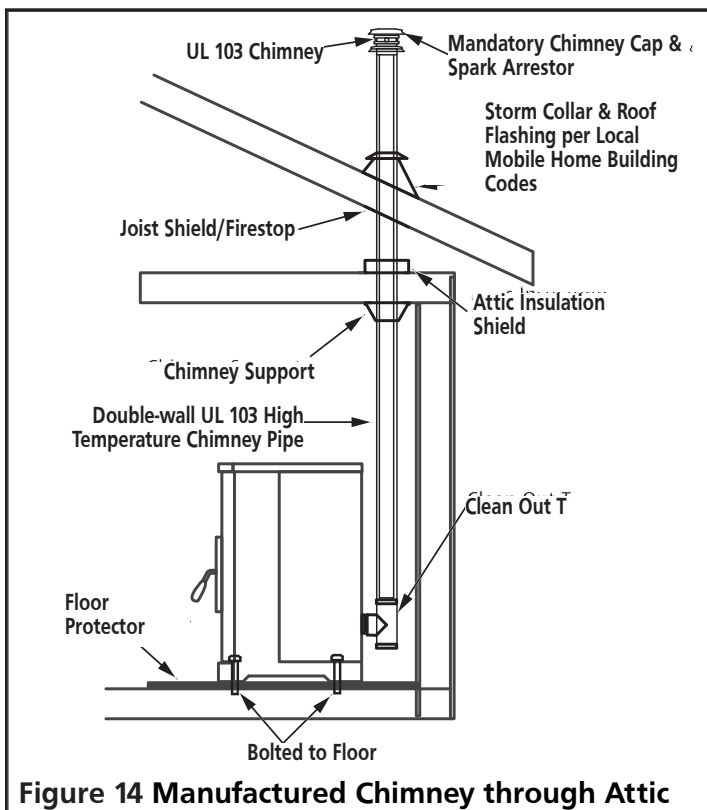
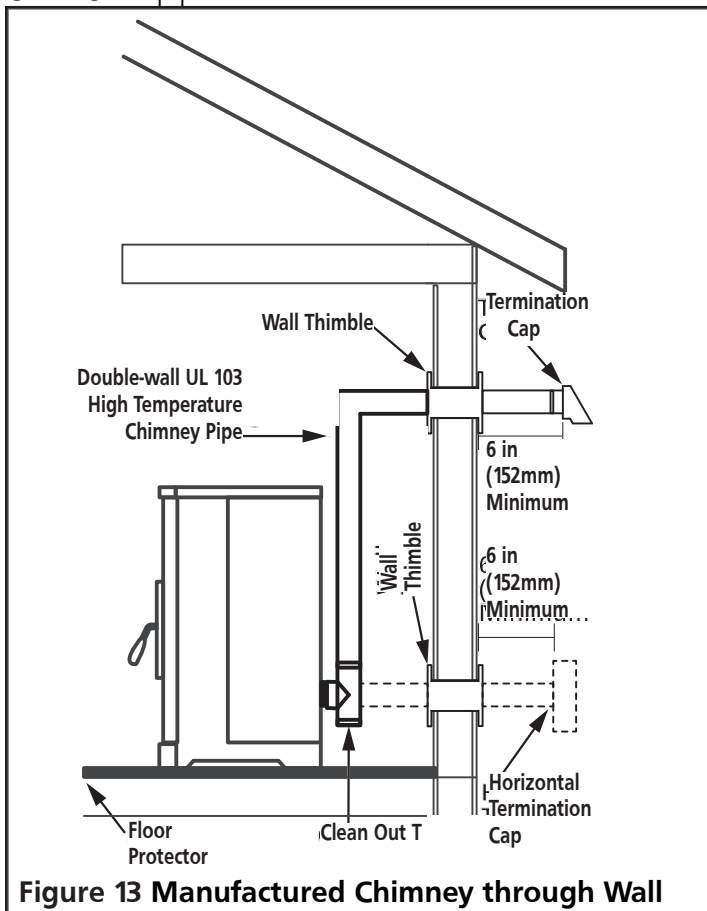
This stove is designed to be used with either a UL 103HT (US)/ULC-S629 (CAN) listed manufactured chimney or an approved lined masonry chimney. Not all manufactured chimneys are UL103 HT/ULC-S629 listed. Home centers, hardware stores, HVAC supply stores, and the Online websites of chimney manufacturers will be able to provide stove pipe that is rated to these standards.

This listing indicates that the Chimney is rated for high temperatures up to 2100° F (1149° C).

Only use components that all come from the same manufacturer. Do not mix brands of components for the same ventilation system.

Cleveland Iron Works Wood Pellet Fire Stove

The following figures illustrate various methods and requirements of using a manufactured chimney and connection pipes to vent the stove.



OPERATION

THEORY OF OPERATION

1. Combustion occurs in the fire pot, supported by air introduced to and under the fire pot. Note that some air blows in from the top of the combustion chamber; this helps keep ash and debris from accumulating on the door.
2. The exhaust blower draws combustion products from the stove and directs it out user-installed venting.
3. The auger transfers pellets from the hopper to the fire pot to sustain the fire.
4. A convection blower propagates air along the outside of the fire box, circulating warm and clean air into the room.

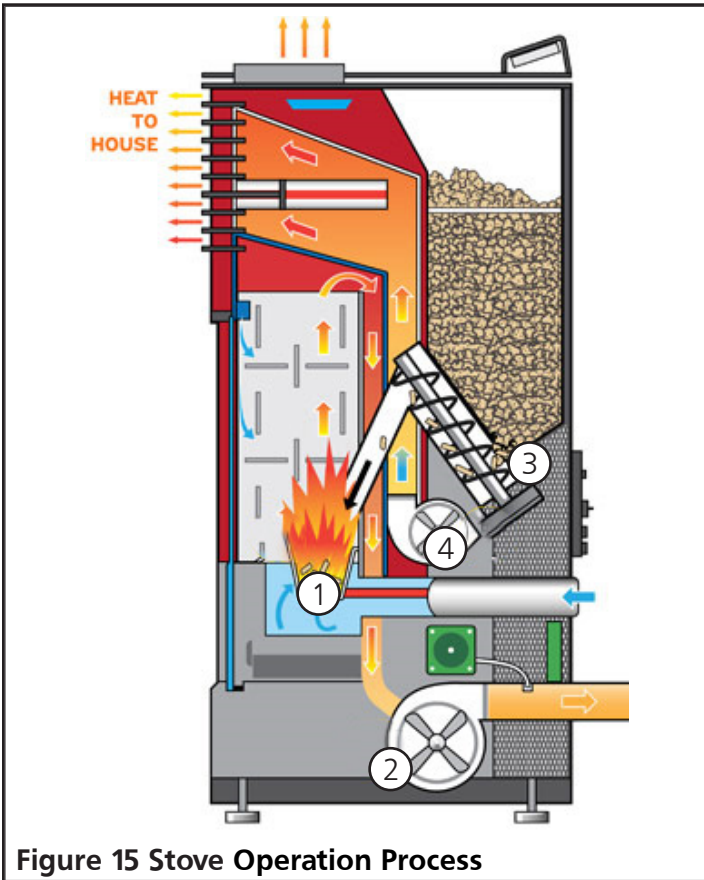


Figure 15 Stove Operation Process

APPROVED FUEL:

Do not use less than PFI premium-grade pellets. Use 100% natural hardwood pellets, untreated and without bonding agents added (max bark proportion of 5%) are the only fuel approved for use with this pellet stove. For best results see the specifications below:

- Calorific Value of 5.3 kWh/kg
- Density of 700 kg/m³
- The pellets should be low ash (less than 1 % ash)
- The pellets should be less than 30mm long, with a diameter between 5 and 6.5 mm.
- Do not use the pellet sediment & debris at the bottom of the pellet container.

Cleveland Iron Works Wood Pellet Fire Stove

- Store pellets in sacks, made of environmentally neutral or biologically degradable plastic or from paper (2-3 layers / similar to cement packaging).

Use of wood pellets that do not meet these specifications may result in ignition difficulty, accelerated creosote or flyash build up, incomplete combustion, low heat yield, and blackening of the glass in the door.

- ⚠ **CAUTION: DO NOT USE CHEMICALS OR FLUIDS TO START THE FIRE.**
- ⚠ **CAUTION: DO NOT BURN GARBAGE OR FLAMMABLE FLUIDS SUCH AS GASOLINE, NAPHTHA OR ENGINE OIL.**
- ⚠ **CAUTION: NEVER ATTEMPT TO USE ANY OF THE FOLLOWING MATERIALS AS FUEL:**

- Paper products, cardboard, or particleboard;
- Garbage;
- Animal remains or manure;
- Lawn clippings or yard waste;
- Waste petroleum products;
- Coal;
- Construction or demolition debris;
- Railroad ties or pressure-treated wood;
- Materials containing
 - asbestos
 - plastic
 - rubber (including tires)
- Petroleum products such as
 - paints
 - paint thinners
 - asphalt products

BURNING THESE MATERIALS MAY RESULT IN RELEASE OF TOXIC FUMES OR RENDER THE HEATER INEFFECTIVE AND CAUSE SMOKE

Do not store wood pellet fuel or other fire starting materials on floor protector, underneath stovepipe, or anywhere within minimum clearances from combustibile surfaces specified on page 6.

Wood pellet fuel should be stored in a dry, well ventilated area.

- ⚠ **CAUTION: DO NOT store unused pellets in the stove for future use as they may collect moisture. Using wet or damp pellets may result in ignition difficulty, incomplete combustion, and the potential for a hopper fire.**

OPERATING PRECAUTIONS

⚠ WARNING: HOT WHILE IN OPERATION. DO NOT TOUCH THE STOVE. KEEP CHILDREN, CLOTHING AND FURNITURE AWAY. CONTACT MAY CAUSE SKIN BURNS.

⚠ CAUTION: ENSURE THAT THE FIREPOT AND THE PAN UNDERNEATH ARE CLEAN AND IN THE PROPER OPERATING POSITION BEFORE USING THE STOVE.

⚠ WARNING: NEVER USE GASOLINE, GASOLINE-TYPE LANTERN FUEL, KEROSENE, CHARCOAL LIGHTER FLUID, OR SIMILAR LIQUIDS TO START OR 'FRESHEN UP' A FIRE IN THIS HEATER. KEEP ALL SUCH LIQUIDS WELL AWAY FROM THE HEATER WHILE IT IS IN USE.

PAINT CURING

To allow the paint to bond durably to the stove, start by running the stove on P1 High Power for at least 60 minutes. Provide cross ventilation to eliminate odors or smoke cause by this curing process.

OPERATING PROCEDURE: TURN ON STOVE

NOTE: If the display screen indicates that the stove is "Switching Off" the stove can not be interrupted. The Display Message will highlight to indicate that the state will not be changed. Only once the "Switching Off" cycle has finished and the exchanger has cooled can the stove be turned back on again.

1. Plug power cord into socket on the rear bottom of stove and press the red ON/OFF toggle switch above it to ON. See Figure 16.

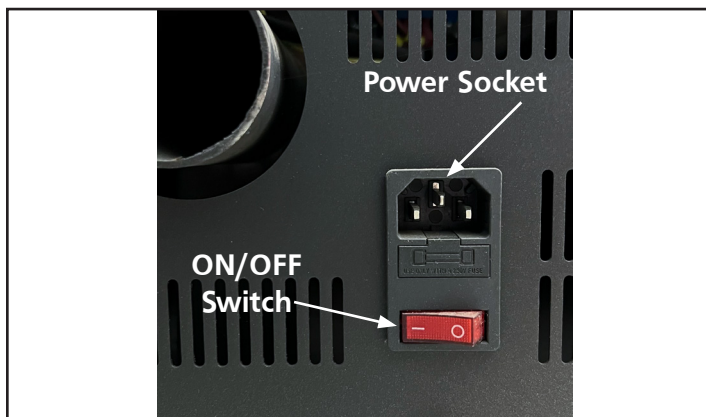



Figure 16 Power Socket/ON/OFF Switch

NOTE: TO PREVENT STOVE FROM BEING OPERATED, TURN OFF RED POWER SWITCH ON BOTTOM, REAR OF STOVE.

2. Make sure that seals on the ash drawer and door are in good condition. If the stove has never been run before, add a handful of pellets directly to the firepot. Close the ash drawer and doors securely, and check that all side panels are all properly installed.

NOTE: DO NOT USE GRATES, IRONS, OR ANY OTHER METHODS OF SUPPORTING WOOD PELLET FUEL. ONLY THE FIREPOT SPECIFIC TO YOUR MODEL OF STOVE MAY BE USED.

3. Open the hopper. Ensure that there are a sufficient number of pellets to satisfy your heating requirements. Close the hopper.

4. Depress the power button  for 3 seconds. The stove will begin to automatically progress through the following stages:

- Cleaning Cycle: The firepot draws dust, ash, & remnants out.
- Feeding Cycle: Pellets will be transported from the Pellet Hopper into the fire pot by the auger. This can take 5 to 15 minutes depending on the model of stove.
- Lighting Cycle: The electrically powered hot surface igniter will run the entire lighting cycle and for a couple minutes after the stove reaches stabilizing and begin combustion of the pellets in the firepot. The heater will remain in the Lighting Cycle until the exhaust smoke reaches a designated temperature.
- Stabilization Cycle: The heater adjusts to fine tune the stove output to the desired temperature. Stabilizing will continue until the stove reaches the thermostat desired temperature.

5. The stove has been successfully turned on.

OPERATING PROCEDURE: TURN OFF STOVE

NOTE: THE STOVE MAY BE TURNED OFF, REGARDLESS OF WHAT CYCLE THE DISPLAY SCREEN INDICATES THAT THE STOVE IS IN, BY DEPRESSING AND HOLDING THE POWER BUTTON FOR TWO SECONDS. ONCE THE DISPLAY SCREEN INDICATES THAT THE STOVE IS IN THE STABILIZATION CYCLE PRESS THE POWER BUTTON AGAIN. THE STOVE WILL ENTER THE COOLING CYCLE, STATED ON THE DISPLAY SCREEN.

⚠ CAUTION: AFTER THE COOLING CYCLE THE STOVE AUTOMATICALLY BEGINS THE PROCESS OF CYCLING ON.

1. Depress the power button for 3 seconds. The stove will begin to automatically progress through the following stages:

- Switching Off: Any remaining fuel in the firepot will continue to burn and produce heat and flame. After 5 to 8 minutes the firepot ought to be devoid of fuel. The heat exchanger may then begin to cool off.
- Goodbye: The final message from the display screen to designate that the stove has cooled.

2. The stove has been successfully turned off.

OPERATION WITH AN ELECTRICAL GENERATOR

This stove is designed to have the option of being powered by an electrical generator, though not all electrical generator's may be compatible with this stove. Consult the information regarding your generator's electrical regulator and make sure that it meets the electrical requirements of this stove, as stated on page 3.

MINIMIZING CREOSOTE FORMATION

See "MAINTENANCE" on page 20 for an explanation of Creosote formation and removal. To slow the build up of creosote within your chimney burn only the recommended fuel, see page 14.

DISPOSAL OF ASHES











⚠ CAUTION: EMBERS MAY BE OBSCURED BY ASH. HANDLE ASH WITH TOOLS SUFFICIENT FOR FIRE TENDING, NEVER DIRECTLY WITH YOUR HANDS. WEAR FIRE RETARDANT CLOTHING AND PROTECTIVE EYEWARE.

Ashes should be placed in a metal container with a tight fitting lid.

1. Other waste shall not be placed in ash containers.
2. The closed container of ashes should be placed on a noncombustible floor or on the ground, well away from all combustible materials, pending final disposal.
3. Wood mineral residue (approximately 1-2%) remains in the ash and is an excellent natural fertilizer product for all garden plants. Before disposing ashes of by burial in soil or otherwise locally dispersed, they should be retained in the closed container until all any and all cinders have thoroughly cooled and should also be "quenched" with water.

Remote Button Functionality:

The buttons on the remote controller affect the stoves operation in the same way that the mounted button do, explained below:

Remote Controller Button	Mounted Button Counterpart
	
	
	
	
	

Note: There are no lights or display screen on the remote controller that can indicate to you that the button presses are being received by the stove. In order to remotely control the stove but also monitor its settings, try installing the Smart Stove app.

SMART STOVE WIFI CONNECTION

This stove can be monitored, controlled, and programmed by using the smart stove app by NHHATC which is available for iOS or android device through the app store.

- Step 1. Download the Smart Stove app by NHHATC.
- Step 2. Open the Smart Stove app. The app opens, by default, to the "Register" screen. Click on the "Register" button.
- Step 3. Enter your email address in the "Email" field and click the "Get Verification Code" button.
- Step 4. Enter the verification code that was emailed to you in the "Enter Verification Code" field.
- Step 5. Now you can set a unique password for your device in the "Set Password" field and hit the "Done" button.
- Step 6. If you have no other wifi enabled devices already added to this app there will be a large "Add Device" button in the center of the screen which you can select. Otherwise, select the + symbol in the top right of the screen.
- Step 7. Make sure that your device is connected to the wifi network which you want the stove to be connected to.
- Step 8. Make sure that the wood pellet fire stove is plugged into an electrical outlet and can be powered on.

Step 9. Follow the directions on the screen by pressing and holding the connection button for 3 seconds on the rear of the display panel as illustrated in the figure below. Once you observe the desired blinking pattern on the indicator light, press the confirmation button at the bottom of the screen.

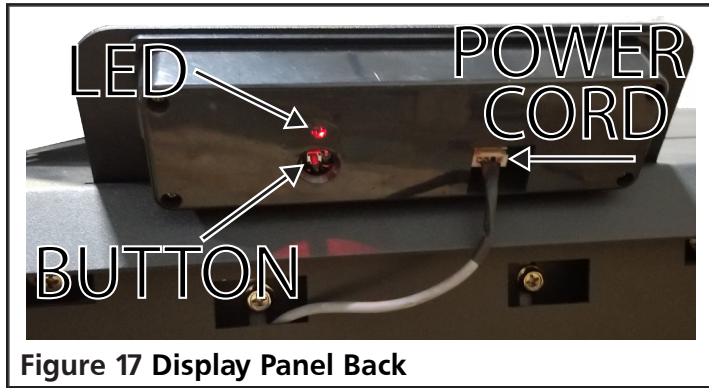


Figure 17 Display Panel Back

Step 10. Enter the password for the wifi network so that the stove can connect to the wifi network.

Step 11. The stove will begin pairing with the device running the application through the wifi network. This process may take a few minutes.

Step 12. After the device and stove are paired, you will be able to see the pellet stove as a connection option on the “Devices” tab at the bottom of the app screen.

Step 13. On your device, go to your device’s wifi settings which now include the stove as an option. Select the stove as your wifi connection.

Step 14. Open the Smart Stove phone app again.

Step 15. You may now select this stove from this added devices list in order to monitor, control, and program the stoves operation.

WIFI CONTROLS

Once connected to the stove (See step 13 of Wifi Connection) you can remotely monitor and adjust the operation of the stove. See below for explanation:

- Device Name: it is possible to rename the stove, so that if you have multiple stoves set up for operation you can more easily differentiate between while using the smart stove application.
- Device Sharing: it is possible to share connection to the stove with other devices via SMS or email. (con’t on page 19)

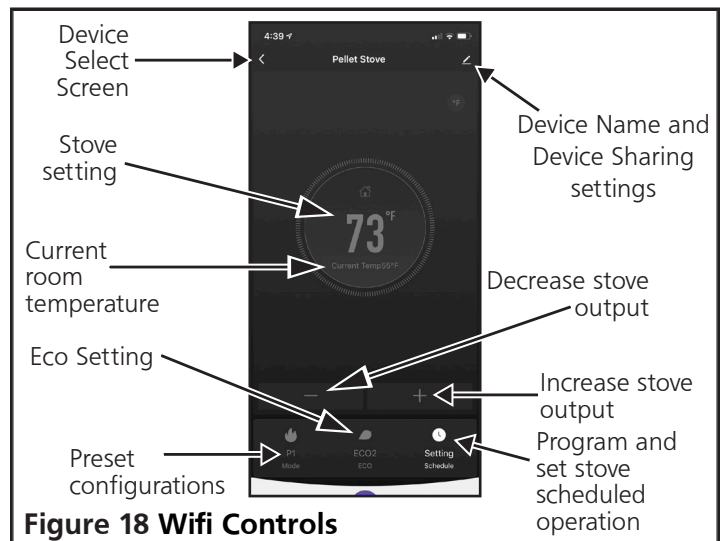
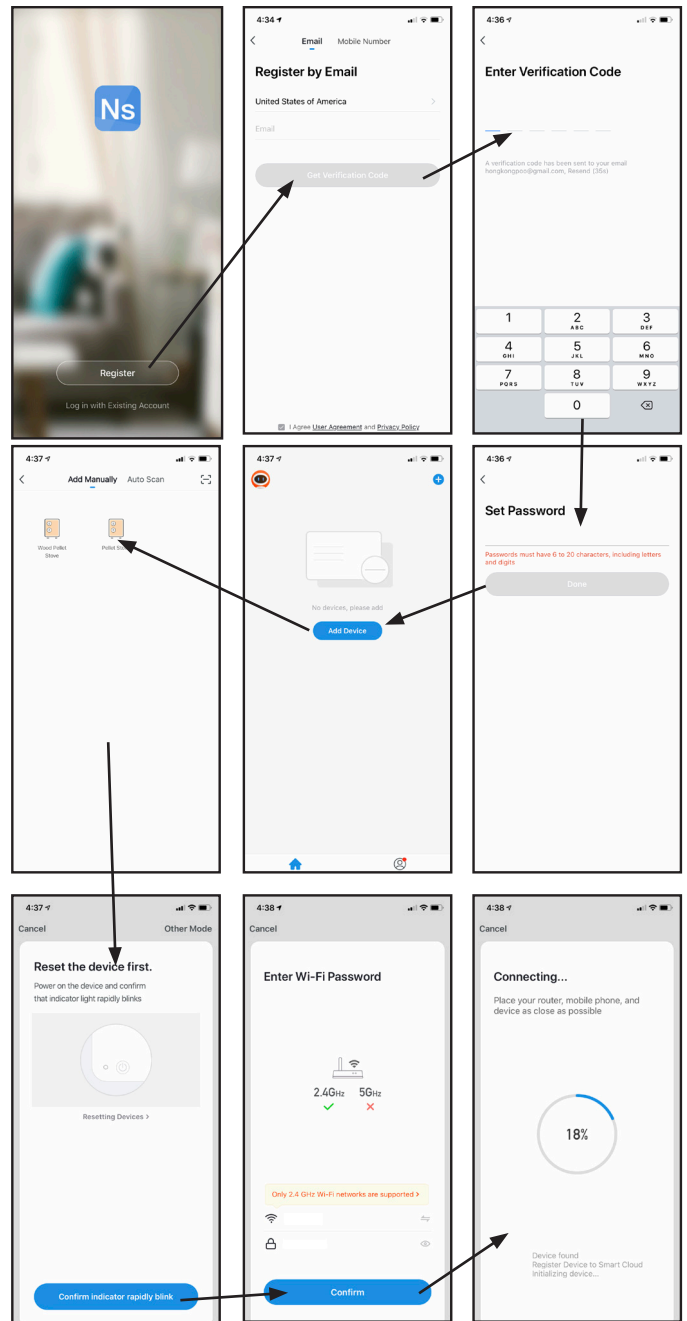


Figure 18 Wifi Controls

C60W, C130W, AND CBF66W MULTI FUNCTION CONTROLS

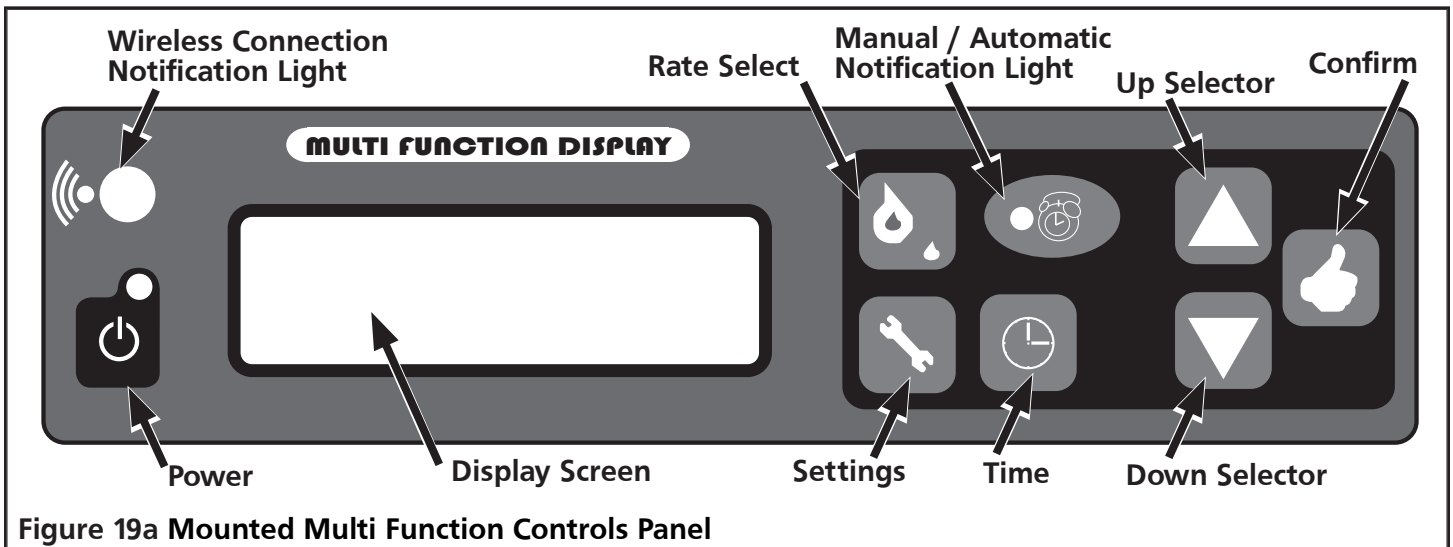


Figure 19a Mounted Multi Function Controls Panel

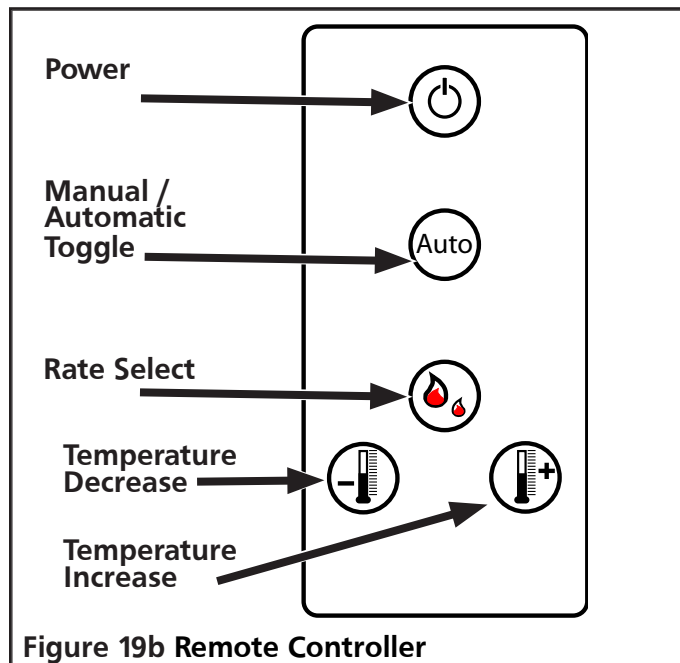










Figure 19b Remote Controller

Mounted Button Functionality: Normal Operation

	<ul style="list-style-type: none"> The light illuminates when the stove is plugged into an electrical supply. Press the power button to turn the display on for the purpose of adjusting settings. The screen will become dim after 10 seconds on inactivity. Press and hold the power button for 3 seconds to begin stove heating if the stove was off. Press and hold the power button for 3 seconds to begin stove shut off if the stove was on.
---	---

CAUTION: The manufacturer has programmed preset rates to ensure proper operation. It is not advised to reprogram rate settings.

	<p>Press to cycle between temperature reports (in Fahrenheit) display in the top right of the multi function display screen:</p> <ul style="list-style-type: none"> ##(R): Room temperature ##(S): Exhaust temperature ##(P): Protection Temperature Sensor
	<p>Press to increase the temperature which the stove is intended to heat the room to. This value is displayed in the top right of the multi function display screen as ##°F.</p>
	<p>Press to decrease the temperature which the stove is intended to heat the room to. This value is displayed in the top right of the multi function display screen as ##°F.</p>
	<p>Press to toggle the stove between manual control and programmed control. If the stove is in the program controlled setting then the notification light  will be illuminated.</p>
	<p>Pressing the rate select will toggle between four configurable heating presets. The currently set preset is available in the top middle of the multi function display screen as P#.</p> <ul style="list-style-type: none"> P1 [Maximum Power] Settings P2 [Medium Power] Settings P3 [Low Power] Settings P4 [Minimum Power] Settings
	<ul style="list-style-type: none"> Press and hold the settings button for 2 seconds to enter the set up menu. Press the settings button at any time to exit the set up menu.

- Eco Mode: There are two ECO settings which can be selected which will conserve wood pellets while maintaining the desired temperature. Pressing the ECO button will allow you to toggle whether a specific eco setting is enabled, or to turn off the feature entirely.
 - ECO 1: The stove shuts off when the desired temperature has been reached. The stove will turn back once the room cools to a factory set temperature.
 - ECO 2: The stove turns to minimum power preset P4 when the desired temperature has been reached. The stove will turn on to higher power settings once the room cools to a factory set temperature.
- Preset configurations: There are four selectable configurations which adjust the speeds of the combustion fan and the room air circulation fan. Pressing the preset configuration button will allow you to toggle whether a specific preset configuration is enabled, or to turn off the feature entirely.
 - P1 [Maximum Power] Settings
 - P2 [Medium Power] Settings
 - P3 [Low Power] Settings
 - P4 [Minimum Power] Settings

MANUAL STOVE OPERATION

TO ADJUST THE AUGER (PELLET DROP RATE)

1. Cycle using the Rate Select button between settings P1, P2, P3, P4. Rates are outlined below:

P1: [Maximum] pellet drop rate

P2: [Medium] pellet drop rate

P3: [Low] pellet drop rate

P4: [Minimum] pellet drop rate

Note: If necessary, press and hold the "Time" button for 2-5 seconds to get the auger to spin.

TO ADJUST THE FANS

1. Press and hold the Settings button for 2 seconds.
2. Press the Confirm button to cycle to each of the Pellet Drop Rate Settings.
3. Adjust the "S" for Venting Fan and "F" for blower fan settings using the Up and Down Selector buttons.
4. Use the Time button to switch between "S" and "F" Note: the lower the setting, the slower the fan. Only change settings by a few numbers at a time.
5. Press the Settings button to go back to home screen.

TO CHANGE THE TIME (RUNS ON 24-HOUR CLOCK)

1. Press and hold the Settings button for 2 seconds.
2. Press the Confirm button to cycle to Modify Clock.
3. Use the Time button to switch between hours and minutes.
4. Use the Up and Down Selector buttons to change the current selection.
5. Press the Settings button to go back to home.

TO PROGRAM AUTOMATIC ON/OFF

1. Press and hold the Settings button for 2 seconds.
2. Cycle through the settings using the Confirm button until days of the week are visible.
3. Use the Time button to change between days.
4. Use the Up and Down Selector buttons to adjust if you want the stove ON/OFF each day.

Note: Tall box is for ON; Short box is for OFF.

Note: Each box represents an hour of the day over a 24 hour period. The first box is 00:00 (Midnight) and the last box is 23:00 (11 PM).

5. Press the Settings button to go back to home.

CHANGING ECO MODES

1. Press and hold the Settings button until stove beeps.
2. Press (do not hold) the Confirm button seven times to cycle to the screen that reads "Eco Mode."
3. Press the Time button to switch between the selected Eco Modes.
4. Press the Settings button to go back to home screen.







ECO 1 MODE

ECO 1: The stove shuts off when the desired temperature has been reached. The stove will turn back on once the room cools to a factory set temperature.

ECO 2 MODE

ECO 2: The stove turns to minimum power preset P4 when the desired temperature has been reached. The stove will turn on to higher power settings once the room cools to a factory set temperature.

CONTROL KEY

	CONFIRM
	UP SELECTOR
	DOWN SELECTOR
	TIME
	RATE SELECT
	SETTINGS

MAINTENANCE

This wood heater needs periodic inspection and repair for proper operation. It is against federal regulations to operate this wood heater in a manner inconsistent with operating instructions in this manual.

⚠ CAUTION: TURN OFF AND UNPLUG THE STOVE FROM ANY SOURCE OF ELECTRICAL POWER TO UNIT BEFORE PERFORMING ANY MAINTENANCE OR SERVICE OPERATIONS.

⚠ CAUTION: ALLOW STOVE TO COOL DOWN BEFORE PERFORMING ANY MAINTENANCE OR SERVICE OPERATIONS.

⚠ CAUTION: DURING ANY ASSEMBLY OR DISASSEMBLY, BE WARY TO NOT DROP ANY ITEMS (SCREWS, ETC.) INTO THE PELLET HOPPER. DEBRIS CAN JAM THE AUGER AND DAMAGE THE STOVE.

The frequency which your stove's requires cleaning and maintenance depends on the fuel that you use. High moisture, ash, dust, and chips can more than double the necessary maintenance. Use only the tested and recommended wooden pellets fuel.

Clean the fire pot and fire pan every day, before using the stove and while the stove is cooled down, the stove is unplugged, and there are no embers. Use a vacuum cleaner to remove ash and debris from the fire pot, and then lift the fire pot to also clean the fire pan. It is important that ash or debris does not block any air openings.

A general cleaning schedule is as follows:

- Fire Pot: After 10 bags of wood pellets, or every day. Whichever is more frequent.
- Ash Drawer: After 50 bags of wood pellets
- Passageways: After 100 bags of wood pellets
- Blower: After 100 bags of wood pellets

IMPORTANT: Also make sure to refer to the separate Cleaning Schedule at the end of this section.

CLEANING: FIRE POT & PAN

⚠ CAUTION: IF STOVE IS INTENDED TO OPERATE CONTINUOUSLY, IT MUST BE TURNED OFF TWICE WITHIN EACH 24 HOUR PERIOD IN ORDER TO CLEAN THE FIRE POT AND FIRE PAN. ALWAYS ALLOW THE STOVE TO COOL DOWN AND ANY EMBERS TO EXTINGUISH BEFORE CLEANING THE FIRE POT AND FIRE PAN.

Make sure that you put the fire pot back onto the fire pan in the correct orientation, so that pellets can be added to the pot and successfully ignited for the next operation of the stove.

CLEANING: GLASS

⚠ WARNING: DO NOT CLEAN GLASS WHEN HOT.

Though the circulation of air across the glass reduces acidic ash build up, cleaning the glass in the stove door is still required periodically. Cleaning is necessary to prevent glass from being weakened which may increase likelihood of cracks. It is not acceptable to operate the stove with cracked or broken glass.

The best way to clean the door glass is using a damp cloth that has a smear of cool ash on it. For extra stubborn dirt, consult your local hardware store or stove specialist for a suitable cleaner.

⚠ WARNING: DO NOT CLEAN GLASS WITH ABRASIVE CLEANERS OR BY ANY OTHER PROCESS WHICH MAY SCRATCH OR DAMAGE THE GLASS.

CLEANING: OUTLET PASSAGEWAY

The outlet passageway should be cleaned at least once a year. Burning high ash pellets may require that the passageways are cleaned more frequently.



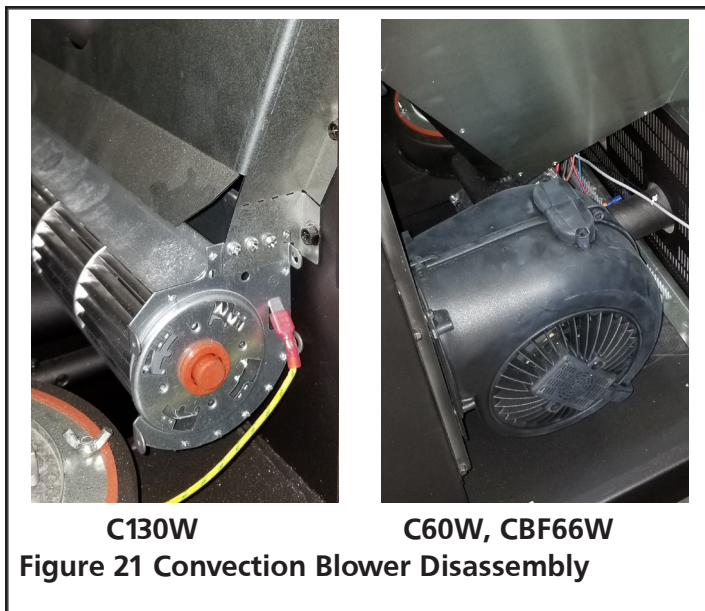
Figure 20 Outlet Duct

On each side of the stove there are two access covers that can be removed by removing the fastening screws. See Figures 21, 24 and 25. Turn off the stove, allow the stove to cool down, and unplug the stove before disassembly and cleaning. Insert a cleaning brush into the openings to loosen any ash build up and then use a vacuum cleaner to remove the loosened ash. Replace the covers and secure with the allen head screws.

There is one more opening to the outlet passageway which can be accessed by removing the ash drawer. Loosen the two 5/32" allen head screws shown in Figure 20. Rotate the covers to expose the opening. Use a cleaning brush to loosen any ash build up. Insert a cleaning brush into the openings to loosen any ash build up and then use a vacuum cleaner to remove the loosened ash. Rotate the cover back over the opening and secure with the allen screws.

CLEANING: CONVECTION BLOWER

When facing the heater, the blower motor responsible for introducing air for heating and circulation to the room is located on the right hand side. Remove or open the side panel to obtain access. Clean the convection blower as required, before using the stove and while the stove is cooled down, the stove is unplugged, and there are no embers. Take care to not damage the blower's blades during cleaning. Use a vacuum to remove any dust accumulation of the blower's blades or inside the blower duct.



C130W C60W, CBF66W
Figure 21 Convection Blower Disassembly

CLEANING: EXHAUST VENT PIPE

Inspect the exhaust venting system at least once a year to determine if cleaning is necessary. During start up, shut down, and erroneous operation of the stove incomplete combustion can produce ash, soot, and creosote. To clean the exhaust venting system insert an appropriate sized cleaning brush into the pipe to loosen and remove any ash or debris build up. Build up of debris and ash can restrict the flow of gases which will affect stove performance, and failure to remove creosote may result in a dangerous chimney fire.

FLYASH - FORMATION AND NEED FOR REMOVAL

The products of combustion will contain small particles of flyash. The flyash will collect in the exhaust venting system and restrict the flow of the flue gases. Incomplete combustion, such as occurs during startup, shutdown, or incorrect operation of the room heater will lead to some soot formation which will collect in the exhaust venting system. The exhaust venting system should be inspected at least once every year to determine if cleaning is necessary. Use the appropriate sized chimney brush to remove ash and buildup from the venting.

CREOSOTE - FORMATION AND NEED FOR REMOVAL

Failure to remove creosote may result in a dangerous chimney fire.

When wood pellets burn at a low temperature they produce tar and other organic vapors, which combine with expelled moisture to form creosote. The creosote vapors condense in the relatively cool chimney flue of allow-temperature fire. As a result, creosote residue accumulates on the flue lining. When ignited this

creosote makes an extremely hot fire. The chimney connector and chimney should be inspected at least once every few months during the heating season to determine if a creosote buildup has occurred. If a significant layer of creosote has accumulated (eighth of an inch, 3 mm, or more) it should be removed to reduce the risk of a chimney fire. Use the appropriate sized chimney brush to remove ash and buildup from the venting.

Be aware that the hotter the fire the less creosote is deposited, and weekly cleaning may be necessary in mild weather even though monthly cleaning may be enough in the coldest months. Contact your local municipal or provincial fire authority for information on how to handle a chimney fire. Have a clearly understood plan to handle a chimney fire.

REPLACING: GLASS

Replacing the door glass is only permitted by replacing the entire door assembly provided by the manufacturer. See pages 32 through 34.

⚠ WARNING: SUBSTITUTING ALTERNATE MATERIAL MAY SHATTER GLASS AND CAUSE INJURY.

REPLACING: SEALING GASKETS

Over time the sealing gaskets along the glass, door, or ash drawer may lose their rigidity. These seals are essential for providing a seal which allows the stove to operate safely. Inspect the gaskets periodically, and if they become worn contact the manufacturer for information on original or equivalent gasket.

To replace the gasket:

1. Ensure that all pellets are extinguished and that the stove is cool to the touch.
2. Remove old gasket and clean the gasket gutter.
3. Apply a thin coat of high temperature gasket cement along the inside of the gasket gutter.
4. Press the beginning of the replacement gasket into the most up and most left position of the prepared gasket gutter.
5. Continue pressing the replacement gasket clockwise along the gasket gutter until it has wrapped back to where the gasket was pressed in initially.
6. Trim any excess replacement gasket away, and press the remaining end into the gutter to complete the seal.

Close the door, drawer, or ash drawer and allow 3 to 4 hours for the cement to set before operating the stove.

REPLACING: HOT SURFACE IGNITER

Ensure that the stove is off and allow it time to become cool to the touch. After gaining access to the back, undo the screw located on the back inside of the main body. Pull the hot surface igniter free, and install replacement service part. See Figure 22 and 24.

NOTE: DEPENDING ON THE MODEL OF THE STOVE, IT MAY BE NECESSARY TO REMOVE THE AUGER MOTOR IN ORDER TO SLIDE THE IGNITER OUT OF ITS HOUSING.

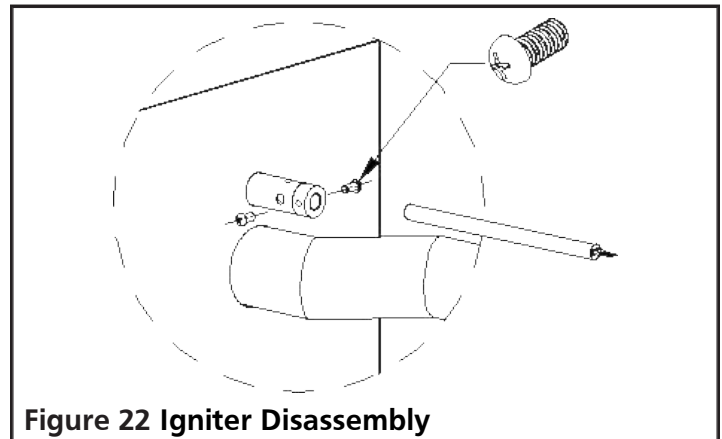


Figure 22 Igniter Disassembly

REPLACING: AUGER SYSTEM

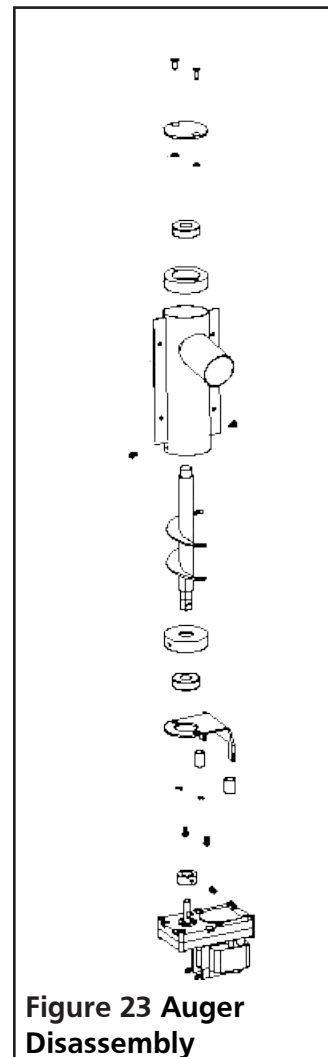


Figure 23 Auger Disassembly

Ensure that the stove is off and allow it time to become cool to the touch. After gaining access to the back, the auger can be disassembled part by part in the order indicated in Figure 23.

REMOVING BACK AND SIDE PANEL



Figure 24 C130W Back & side disassembly

- To remove the C130W side panels, remove the screws securing it on the rear of the heater. Then slide the panel along the side of the heater away from the front.
- To remove the C130W rear plate, remove the 8 screws securing it at the bottom and rear of the stove.
- To remove the C60W side panels, remove the screws securing it on the rear of the heater. Then pull the panel directly away from the heater.
- To open the side of the CBF66W model, simply swing the side panel free of the magnetic lock.

REPLACING: HEAT EXCHANGE BLOWER

Unplug the heater. Disconnect any wiring leading to the Heat Exchange Blower. Remove the screws holding the mounting plate to the heater. Slowly remove blower and replace with new one. Replace screws and wiring.



Figure 25 CBF66W Heat Exchange Blower

REPLACING: EXHAUST BLOWER

Unplug the heater. Disconnect any wiring leading to the Exhaust Blower. Remove the wing nuts holding the Exhaust Blower plate to the blower housing. Slowly remove blower and replace with new one. Replace wing nuts and wiring.

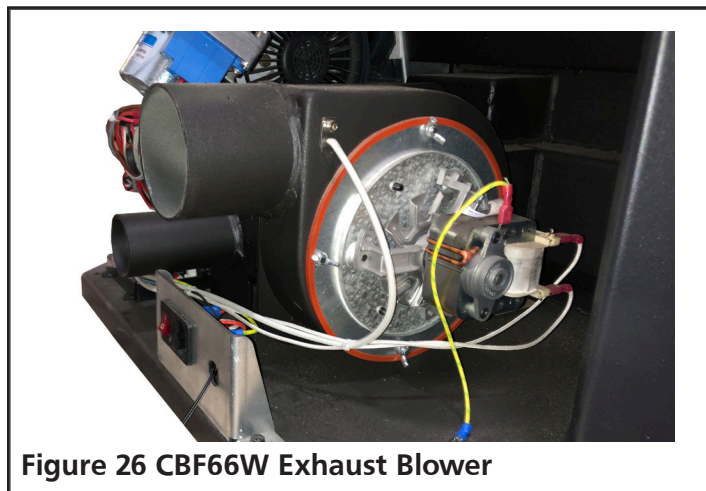


Figure 26 CBF66W Exhaust Blower

SAFETY COMPONENTS

1. Vacuum Pressure Switch: A safety vacuum switch is located behind the left door, fastened to the base. If a low pressure is created in the firebox by a leak, opening the door to the firebox, a blocked flue, or an unsealed ash drawer then the switch will shut the stove off as a precaution. Error code E5 will appear on the display panel.
2. High Limit Thermostat: A high temperature limiter is installed on the bottom of the hopper. If this sensor is exposed to temperatures higher than 185° F then the stove is shut off.
3. Vent Pipe High Temperature Thermostat: A high temperature limiter is installed on the vent pipe. If this sensor is exposed to temperatures higher than 104° F then the circulation fan blower is switched on.
4. Vent Pipe Low Temperature Thermostat: If the stove cools below a minimum temperature the stove will switch off. This may occur when the operating procedure fails to quickly and sufficiently heat the stove.
5. Fuse: A fuse on the rear of the device protects the stove from power surges. See Figure 27.



Figure 27 Fuse

PELLET STOVE CLEANING SCHEDULE

DAILY CLEANING

Step 1:

Shut down the stove and let it cool completely.

Step 2:

Grab your ash vacuum to remove ash and debris from the firepot and surrounding area, as well as any piles of ash or debris that you see.

Step 3:

Lift up and remove firepot – be certain this area is clear of debris. Vacuum under the firepot, taking special care to vacuum the airway under the firepot.

Step 4:

Grab your cleaning tool and move to the firepot. Scrape any debris out of the firepot, making sure that all of the holes in the firepot are free from any buildup.

Step 5:

Wipe down the glass. Never clean the glass with cool water or cleaner when the glass is still warm, since this can cause the glass to crack. The method we recommend requires a damp paper towel or cloth. Dab it on to cooled ashes and then wipe down the glass starting from the top.

Step 6:

Certain models have ash drawers. It is a good idea to empty it every time you clean your stove. You can use an ash vacuum to clean the ashes out of the drawer.

Step 7:

The mini models have cleaning rods. Your cleaning rods should be used daily after the stove has cooled down. These are cleaning inside of the exhaust where ash and debris can build up. When too much build up occurs your stove will not have the proper amount of airflow.

WEEKLY CLEANING

Step 1:

Recommend letting the stove run out of pellets so the hopper is empty. Vacuum out the hopper. Clean any dust out of the hopper and inspect your auger.

Step 2:

The medium and large models have flue plates. Remove the center flue plate by sliding it up. After the center flue plate is slid up and out you can remove the left and right plates. Vacuum and brush off the flue plates, scrape away any clinkers and build-up. Check the walls behind the flue plates for any debris. Be sure to vacuum behind the flue plates as well.

Step 3:

If equipped, remove the ash drawer and vacuum out the drawer. Then brush and scrape away any slag and build up. Make sure the area under the drawer is also clean.

Step 4:

Inspect auger chute. If you notice any build-up of creosote or pellet dust, clean the chute with a wire brush.

EVERY OTHER WEEK

Go outside, and visually inspect the termination cap on the exhaust. Make sure animals are not trying to make it their home and check for any buildup of ash on the grate.

AT LEAST ONCE A MONTH

Step 1:

Use a cleaning brush to clear out the air inlet, located beneath the fire pot going towards the back of the stove; exact placement and size will vary from model to model.

Step 2:

For the Medium and Large models with the flue plates, the exhaust port is behind a flue plate, left of the firepot. Be sure to clean that with a wire brush and vacuum.

Step 3:

Use a cleaning brush to clear out the air exhaust ports in your burn chamber. The number of exhaust ports varies from model to model.

For the Mini models: There are four exhaust ports at the top of the burn chamber.

For the Bayfront models: There are two exhaust ports on the top of the burn chamber.

Verifying they are clear will ensure optimal airflow in the chamber.

EVERY TWO (2) TONS OF PELLETS, OR EVERY OTHER MONTH

Inspect the clean out tee. Remove any ash that has built up and reseal the connection if necessary.

ANNUALLY

- It is important to remove the combustion fan, use a wire brush on creosote, and vacuum debris. This is important for under the fan and on the fan itself. When you remove the combustion fan, if the gasket is torn you can remove the gasket and use red RTV high temperature silicone to make a new gasket for the fan.
- You may need to remove the pipe from the back of your stove and use a wire brush and vacuum to clean that as well.
- It may be necessary to hire a chimney sweep to clean out your venting system regularly. You must take special care with elbows as they can build up creosote more than straight pipes.
- It is also a good idea to clean your inlet duct yearly as well.


For the Mini models: It is located behind the right-hand side panel. There is an air inlet cover that must be removed, and the airway should be cleaned. If the gasket gets torn or damaged a new one can be made with red RTV.

For the Bayfront models: The airways have an opening behind the ash drawer. The ash drawer will need to be removed completely, and the covers can be removed with a 3MM Allen key. A wire brush and a vacuum can be used to clean the airways.

ERROR CODES

NOTE: IN THE EVENT OF A POWER FAILURE (ERROR CODE E7), A SMALL AMOUNT OF SMOKE MAY BE EMITTED. THIS LASTS 3 TO 5 MINUTES AND DOES NOT REPRESENT A SAFETY RISK.

⚠ CAUTION: IF OVERHEATING HAS OCCURRED (ERROR CODES E5 AND E6), THEN AN INSPECTION, MAINTENANCE, AND/OR CLEANING MUST OCCUR BEFORE THE STOVE CAN SAFELY BE OPERATED AGAIN.

After following the suggested solution steps, press the confirm button  to clear the error code from the error code from the multi function display screen. Then go through the operation procedure specified on page 15 to restart the heater.

ERROR CODE	CAUSE	SOLUTION
E1	Exhaust temperature is below 40 - 45 °C Operation has been interrupted and the fire has been discontinued.	<ol style="list-style-type: none"> 1. Check that the pellet hopper has fuel. 2. Check that the auger motor is not damaged and is able to fill the firepot with fuel.
E2	Failure to ignite the fuel in fire pot.	<ol style="list-style-type: none"> 1. Check that there are no "clinkers" (glass like lumps of various sizes formed by debris exposed to high heat, more common when using low quality fuel) in fire pot. 2. Check that the firepot is sitting in the holder correctly and that the igniter is not obstructed. 3. Check that the exhaust gas temperature sensor switch, beside the combustion fan, is not broken. 4. Check that the igniter is not broken.
E5	Low pressure detected at the vacuum switch (refer to exploded view).	<ol style="list-style-type: none"> 1. Check that the door, and ash drawer if present, has been closed properly. 2. Check that there is nothing obstructing the exhaust duct nor that the duct is leaking. 3. Check that the combustion fan is not broken.
E6	Failure at the high temperature sensor (located below the pellet hopper).	<ol style="list-style-type: none"> 1. Check that the switch is not broken. 2. The temperature of the sensor is too high. The stove is not running properly. Call customer service.
E7	Power failure.	Press the Confirm button to clear the error code. Then restart the stove. You may chose to skip directly into the stabilization cycle by depressing and holding the rate selector button for 3 seconds.
ESC1	Short circuit at temperature sensor #1 (Exhaust)	<ol style="list-style-type: none"> 1. Check wires and connection points. 2. Contact Tech Support for assistance.
ESO1	Open circuit at temperature sensor #1	<ol style="list-style-type: none"> 1. Check wires and connection points. 2. Contact Tech Support for assistance.
ESC2	Short circuit at sensor #2, hopper temperature	<ol style="list-style-type: none"> 1. Check wires and connection points. 2. Contact Tech Support for assistance.

ERROR CODES CONTINUED

ESO2	Open circuit at temperature sensor #2	1. Check wires and connection points. 2. Contact Tech Support for assistance.
ESC3	Short circuit at room temperature sensor (#3)	1. Check wires and connection points. 2. Contact Tech Support for assistance.
ESO3	Open circuit at temperature sensor #3	1. Check wires and connection points. 2. Contact Tech Support for assistance.

TROUBLESHOOTING

SYMPTOM	CAUSE	SOLUTION
Heater does not turn on.	Power Switch turned off.	Turn on power switch.
	Power Cord disconnected.	1. Press power cord tightly into the heater 2. Ensure that the wall socket is delivering 120 Volts.
	Fuse is blown.	Replace the fuse.
The blower does not turn on during Cleaning Cycle, Feeding Cycle, or Lighting Cycle.	This is normal.	There is no problem, the blower does not turn on until the stabilization cycle.
The blower does not turn on during Stabilization Cycle.	No power in stove or in control panel.	Check the power and wires.
	Mother board disconnected.	Make sure all terminals to mother board are connected.
	Low Temperature sensor is broken.	Replace the low temperature sensor.
During operation, including the Lighting phase, the auger is not filling the firepot with pellets.	No fuel in Pellet Hopper.	Add Fuel to Pellet Hopper.
	Auger is blocked, jammed, or disconnected.	1. Unplug the unit so that it will not start suddenly and then unblock the auger. 2. Check that the auger is not blocked. If it is blocked, remove the cause of the jamming. 3. Check that the auger screw fastening the auger to the motor is secure.
Too much fuel in the firepot. The fuel can not be completely and thoroughly burned.	The feeding speed is faster than what combustion can support.	1. Increase the fan's speed to increase the rate of combustion.

TROUBLESHOOTING CONTINUED

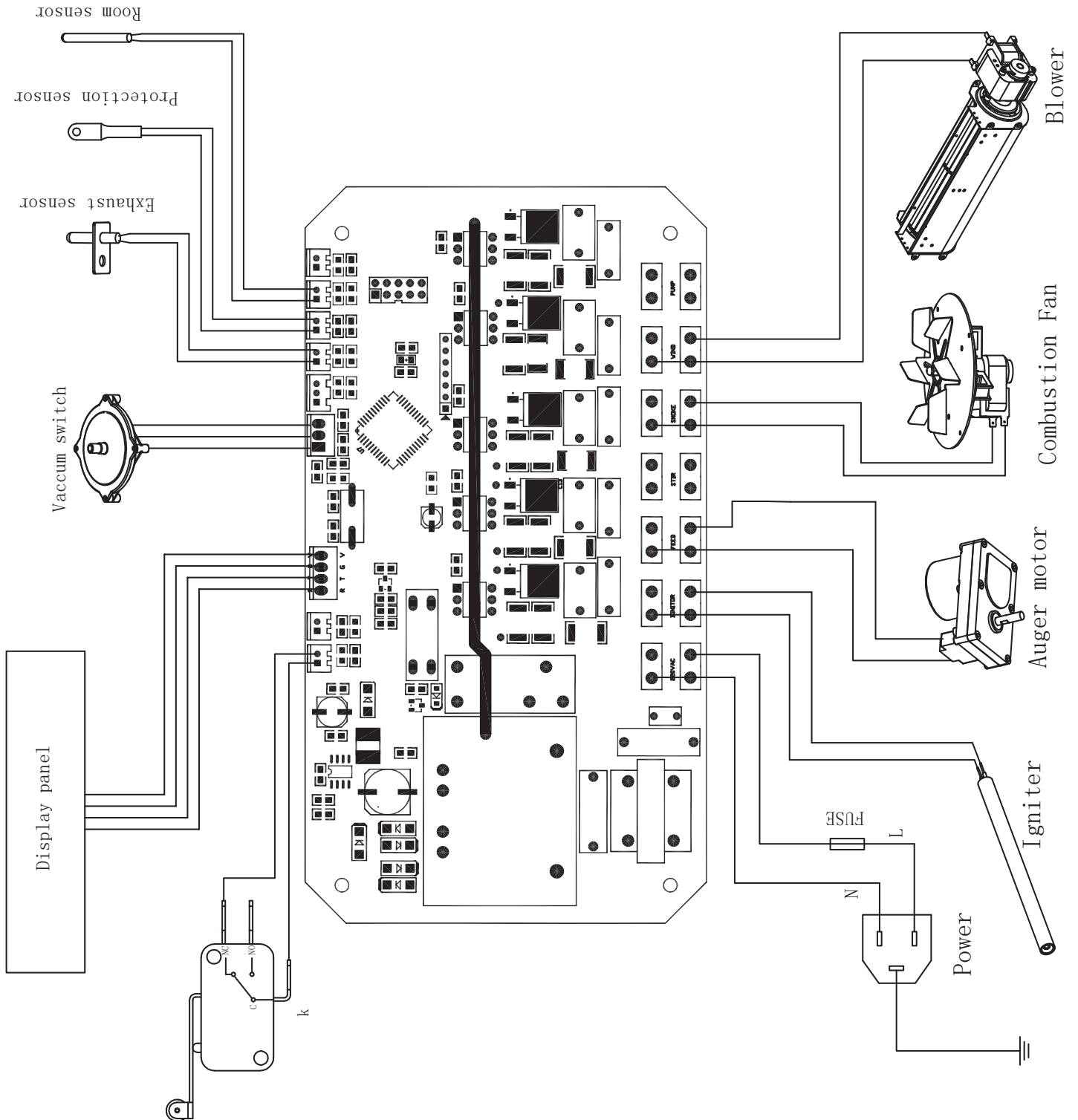
SYMPTOM	CAUSE	SOLUTION
Not enough fuel in the firepot.	The feeding speed is too low to support the rate of combustion.	1. Decrease the fan's speed to decrease the rate of combustion.
After the fire has started, the stove turns off 15 minutes later.	The pellet hopper is low on fuel.	Check that the pellet hopper has a sufficient amount of fuel.
	The auger is not operating.	1. Unplug the unit so that it will not start suddenly and then unblock the auger. 2. Check that the auger is not blocked. If it is blocked, remove the cause of the jamming. 3. Check that the auger screw fastening the auger to the motor is secure.
	The 30 ° C temperature switch has triggered.	1. Check that wires to the switch are sufficiently connected. 2. Replace the 30 ° C temperature switch.
	The pressure switch inside the stove is broken.	Replace the pressure switch.
Orange flame, pellets piling up in firepot, carbon residue forming on glass.	Insufficient air for sufficient combustion.	1. Check that the air inlet vent in the front is open. 2. Check that the door and window gaskets are intact. 3. Check if the air inlet ducting and the combustion exhaust ducting are blocked. 4. Increase the cross sectional area of the ducting. 5. Increase the fan's speed to increase the rate of combustion. 6. Contact the manufacturer for assistance.
The fire extinguishes and the power shuts off.	No fuel in Pellet Hopper.	Add Fuel to Pellet Hopper.
	Auger is blocked or jammed or disconnected.	1. Unplug the unit so that it will not start suddenly and then unblock the auger. 2. Check that the auger is not blocked. If it is blocked, remove the cause of the jamming. 3. Check that the auger screw fastening the auger to the motor is secure.
	The feeding speed is too low to support the rate of combustion.	1. Decrease the fan's speed to decrease the rate of combustion.
	The 30 ° C temperature switch has triggered.	1. Check that wires to the switch are sufficiently connected. 2. Replace the 30 ° C temperature switch.

TROUBLESHOOTING CONTINUED

SYMPTOM	CAUSE	SOLUTION
The fire extinguishes and the power shuts off (continued).	Requested temperature has been reached.	This is normal "ECO" mode behavior. The stove will automatically switch on once the ambient room temperature drops below the temperature that the stove is set to maintain.
The circulation blower continues to operate after the stove is cool and the fuel consumption has ceased.	The 30 ° C temperature switch has triggered.	<ol style="list-style-type: none"> 1. Check that wires to the switch are sufficiently connected. 2. Replace the 30 ° C temperature switch.
The stove is not circulating a sufficient volume of sufficiently hot air.	The fuel is inadequate.	Use pellet fuel specified by this manual.
	The circulating blower is set too slow or is compromised.	<ol style="list-style-type: none"> 1. If the blower is broken, change out the blower 2. If the mother board which connects to the blower is broken, change out the mother board.
	Heat exchange tubes or flue pass is dirty.	Clean the heat exchanger tubes or flue pass.

WIRING DIAGRAM

NOTE: IF ANY OF THE ORIGINAL WIRE AS SUPPLIED WITH THE APPLIANCE MUST BE REPLACED, IT MUST BE REPLACED WITH WIRING MATERIAL HAVING A TEMPERATURE RATING OF AT LEAST 105 C AND RATED FOR 600V



SERVICE PARTS MODEL C60W

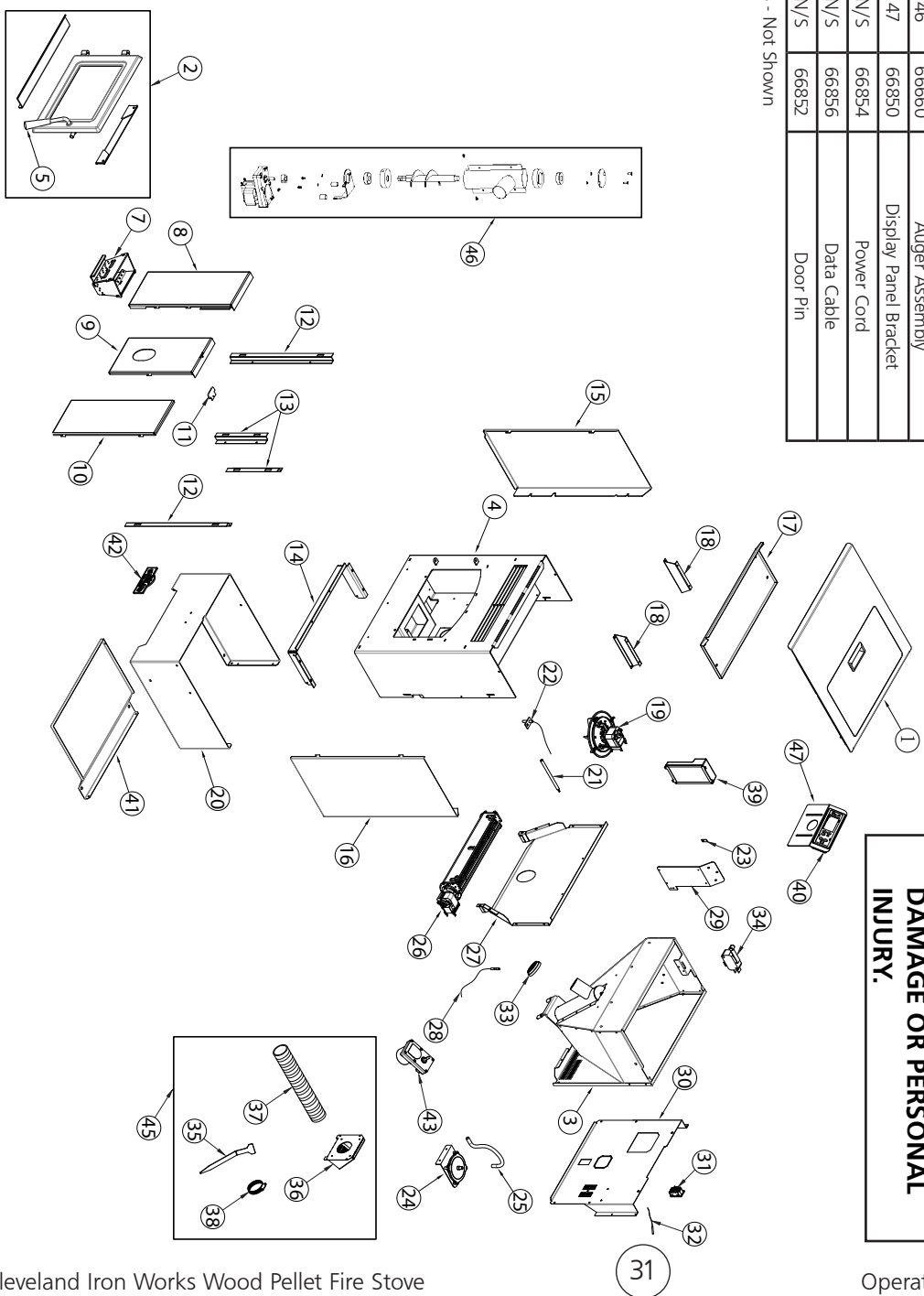
NO.	P/N	DESCRIPTION
1	66623	Top Cover
2	66624	Door Assembly
3	n/a	Hopper
4	n/a	Main Body
5	66603	Door Handle
7	66625	Fire Pot
8	66931	Flue Board-Left
9	66933	Flue Board-Middle
10	66932	Flue Board-Right
11	n/a	Upper Flue Plate
12	n/a	Flue Fixed Plate-Long
13	n/a	Flue Fixed Plate-Short
14	n/a	Pedestal Fixed Plate
15	66626	Left Side panel
16	66627	Right Side panel
17	n/a	Thermal Insulation Plate
18	n/a	Insulation Support Plate
19	66607	Combustion Blower
20	n/a	Pedestal Plate
21	66608	Igniter
22	66609	Exhaust Sensor
23	n/a	Grounding Screw
24	66628	Vacuum Switch
25	66629	Vacuum Switch Silicone Tube
26	66630	Circulation Blower
27	n/a	Chamber Insulation Cover
28	66613	Hopper Safety Sensor
29	n/a	Motherboard Fixed Plate
30	66631	Rear Cover
31	66615	Power Socket
32	66616	Room Sensor
33	66622	Silicone Rubber Sealing Ring
34	66617	Hopper Lid Switch
35	66855	Cleaning Tool (see # 45)
36	n/a	Fresh Air Intake Vent (see # 45)

NO.	P/N	DESCRIPTION
37	n/a	Aluminum Expansion Tube (see # 45)
38	n/a	Clamp (see # 45)
39	66618	Motherboard
40	66619	Display Panel
41	n/a	Inner Pedestal Plate
42	n/a	Nameplate
43	66621	Auger Motor
44	66658	Remote (not shown)
45	66659	Accessory Kit
46	66660	Auger Assembly
47	66850	Display Panel Bracket
N/S	66854	Power Cord
N/S	66856	Data Cable
N/S	66852	Door Pin

N/S - Not Shown

NOTE: NOT ALL PARTS AVAILABLE. FOR QUESTIONS CONTACT MANUFACTURER.

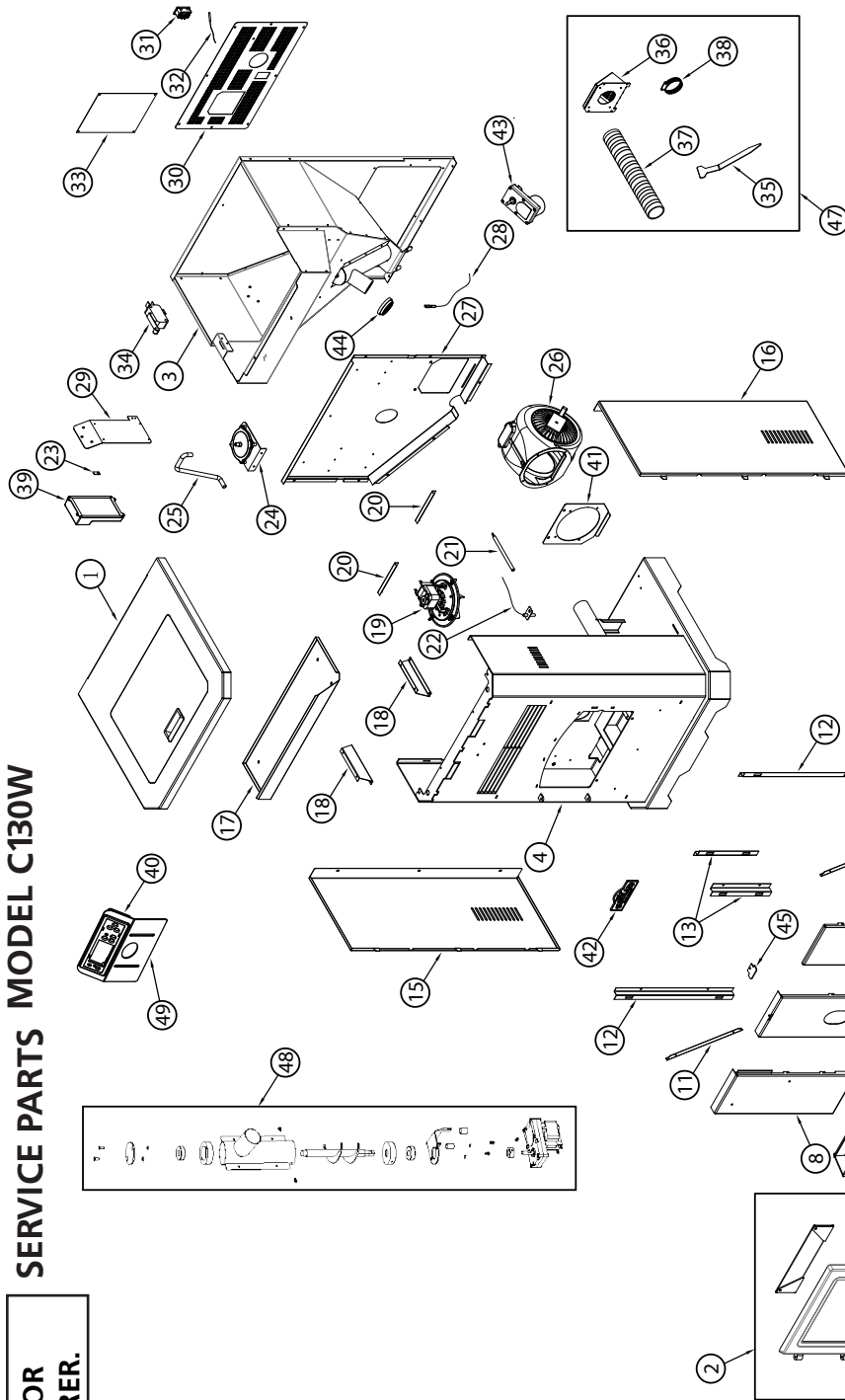
⚠ WARNING: FAILURE TO POSITION THE PARTS IN ACCORDANCE WITH THESE DIAGRAMS OR FAILURE TO USE ONLY PARTS SPECIFICALLY APPROVED WITH THIS STOVE MAY RESULT IN PROPERTY DAMAGE OR PERSONAL INJURY.



NOTE: NOT ALL PARTS AVAILABLE. FOR QUESTIONS CONTACT MANUFACTURER.

WARNING: FAILURE TO POSITION THE PARTS IN ACCORDANCE WITH THESE DIAGRAMS OR FAILURE TO USE ONLY PARTS SPECIFICALLY APPROVED WITH THIS STOVE MAY RESULT IN PROPERTY DAMAGE OR PERSONAL INJURY.

SERVICE PARTS MODEL C130W



NO.	P/N	DESCRIPTION
1	66601	Top Cover
2	66602	Door Assembly
3	n/a	Hopper
4	n/a	Main Body
5	66603	Door Handle
7	66604	Fire Pot
8	66934	Flue Plate-Left
9	66862	Flue Plate-Middle
10	66935	Flue Plate-Right
11	n/a	Flue Plate Reinforcement
12	n/a	Flue Fixed Plate-Long
13	n/a	Flue Fixed Plate-Short
15	66605	Left Side Panel
16	66606	Right Side Panel
17	n/a	Thermal Insulation Board
18	n/a	Insulation Support Plate
19	66607	Combustion Blower
20	n/a	Reinforcing Plate
21	66608	Igniter
22	66609	Exhaust Sensor
23	n/a	Ground Screw
24	66610	Vacuum Switch
25	66611	Silicone Tube
26	66612	Circulation Blower
27	n/a	Chamber Insulation Cover

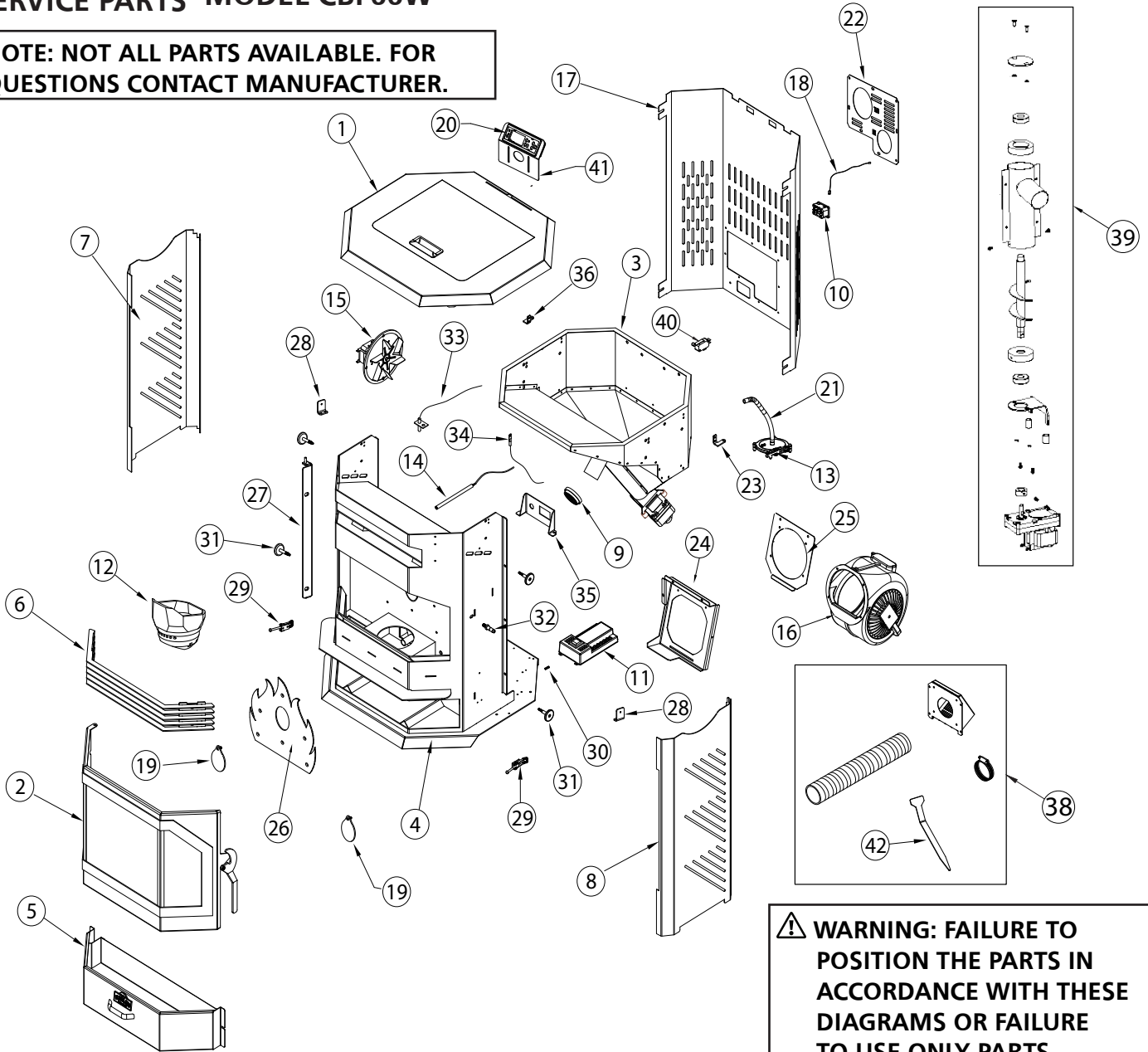
NO.	P/N	DESCRIPTION
28	66613	Hopper Safety Sensor
29	n/a	Motherboard Fixed Plate
30	66614	Rear Cover
31	66615	Power Socket
32	66616	Room Sensor
33	n/a	Rating Label
34	66617	Hopper Lid Switch
35	66855	Cleaning Tool (see # 47)
36	n/a	Fresh Air Intake Vent (see # 47)
37	n/a	Aluminum Expansion Tube (see # 47)
38	n/a	Clamp (see # 47)
39	66618	Motherboard
40	66619	Display Panel

NO.	P/N	DESCRIPTION
41	66620	Blower Fixed Plate
42	n/a	Nameplate
43	66621	Auger Motor
44	66622	Silicone Rubber Sealing Ring
45	n/a	Upper Flue Plate
46	66658	Remote (not shown)
47	66659	Accessory Kit
48	66660	Auger Assembly
49	66850	Display Panel Bracket
N/S	66854	Power Cord
N/S	66856	Data Cable
N/S	66852	Door Pin

N/S - Not Shown

SERVICE PARTS MODEL CBF66W

NOTE: NOT ALL PARTS AVAILABLE. FOR QUESTIONS CONTACT MANUFACTURER.



NO.	P/N	DESCRIPTION
1	66632	Top Cover
2	66633	Door
3	n/a	Hopper
4	n/a	Main Body
5	66634	Ash Pan
6	n/a	Decorative Plate
7	66635	Left Side Panel
8	66636	Right Side Panel
9	66622	Silicone Rubber Sealing Ring
10	66615	Power Socket
11	66637	Motherboard
12	66638	Fire Pot
13	66639	Vacuum Switch
14	66640	Igniter
15	66641	Combustion Blower
16	66612	Circulation Blower
17	66642	Rear Cover

NO.	P/N	DESCRIPTION
18	66643	Room Sensor
19	n/a	Flue Sealing Plate
20	66644	Display Panel
21	66645	Pressure Device Silicone Tube
22	66646	Rear Sealing Plate
23	66647	Right Side Panel Hinge
24	66648	Blower Bracket
25	66620	Blower Fixed Plate
26	n/a	Fireproof Plate
27	66649	Door Hinge
28	66650	Rear Cover Fixed Plate
29	66651	Ash Pan Lock Parts
30	n/a	Ground Screw
31	66652	Magnet
32	66653	Door, Latch
33	66654	Exhaust Sensor
34	66655	Hopper Safety Sensor

⚠ WARNING: FAILURE TO POSITION THE PARTS IN ACCORDANCE WITH THESE DIAGRAMS OR FAILURE TO USE ONLY PARTS SPECIFICALLY APPROVED WITH THIS STOVE MAY RESULT IN PROPERTY DAMAGE OR PERSONAL INJURY.

NO.	P/N	DESCRIPTION
35	66656	Socket Fixed Plate
36	66657	Left Side Panel Hinge
37	66658	Remote (not shown)
38	66659	Accessory Kit
39	66660	Auger Assembly
40	66617	Hopper Lid Switch
41	66850	Display Panel Bracket
42	66855	Cleaning Tool (see # 38)
N/S	66854	Power Cord
N/S	66856	Data Cable
N/S	66859	Door Pin

N/S - Not Shown



OPERATING INSTRUCTIONS AND OWNER'S MANUAL

Model #
C60W
C130W
CBF66W

READ INSTRUCTIONS CAREFULLY: Please read this entire manual before installation and use of this pellet fuel-burning room heater. Failure to follow these instructions could result in property damage, bodily injury or even death. Do not allow anyone who has not read these instructions to assemble, light, adjust or operate the stove. Place instructions in a safe place for future reference.



WARNING:

USE ONLY MANUFACTURER'S REPLACEMENT PARTS. USE OF ANY OTHER PARTS COULD CAUSE INJURY OR DEATH. REPLACEMENT PARTS ARE ONLY AVAILABLE DIRECT FROM THE FACTORY AND MUST BE INSTALLED BY A QUALIFIED SERVICE AGENCY.

PARTS ORDERING INFORMATION:

PURCHASING: ACCESSORIES MAY BE PURCHASED AT ANY LOCAL DEALER OR DIRECT FROM THE FACTORY.

FOR INFORMATION REGARDING SERVICE:

Please call Toll-Free 1-800-251-0001

Our office hours are 8:00 AM – 5:00 PM, EST, Monday through Friday.

Please include the model number, date of purchase, and description of problem in all communication.

LIMITED WARRANTY:

Enerco Group, Inc. (EGI) warrants Wood Pellet Fire Stoves to be free from imperfections in workmanship or material, at the date of manufacture. After installation, If covered components are found to be defective in workmanship or material during the applicable warranty period then the company, at its option, will repair or replace products returned by the buyer to the factory, transportation prepaid within applicable warranty period and found by the company to have imperfections in material or workmanship. The warranty period of the covered components is defined in the table below:

Components Covered	Warranty Period (Parts only, Labor not included)
Electrical	1 years
Steel parts (excluding fire pot)	5 years

If a part is damaged or missing, call our Technical Support Department at 1-800-251-0001.

Address any Warranty Claims to the Service Department, Enerco Group, Inc., 4560 W. 160TH ST., CLEVELAND, OHIO 44135. Include your name, address and telephone number, the model and serial number of your product, and include details concerning the claim. Also, supply us with the purchase date and the name and address of the dealer from whom you purchased our product.

The foregoing is the full extent of the responsibility of the Company. There are no other warranties, express or implied. Specifically there is no warranty of fitness for a particular purpose and there is no warranty of merchantability. In no event shall the Company be liable for delay caused by imperfections, for consequential damages, or for any charges of the expense of any nature incurred without its written consent. The cost of repair or replacement shall be the exclusive remedy for any breach of warranty. There is no warranty against infringement of the like and no implied warranty arising from course of dealing or usage of trade. This warranty will not apply to any product which has been repaired or altered outside of the factory in any respect which in our judgment affects its condition or operation. This warranty does not cover damage or breakage due to misuse, abuse or modifications. There is no warranty on any paint, glass, gasket or fire brick. There is no warranty on the fire pot. There is no warranty against damage caused by corrosion.

Some states do not allow the exclusion or limitation of incidental or consequential damages, so the above limitation or exclusion may not apply to you. This Warranty gives you specific legal rights, and you may have other rights which vary from state to state.

Enerco Group, Inc. reserves the right to make changes at any time, without notice or obligation, in colors, specifications, accessories, materials and models.

Enerco Group, Inc., 4560 W. 160TH ST., CLEVELAND, OHIO 44135 • 1-800-251-0001
© 2024. All rights reserved



Report Number : F23-240
ASTM E1509-22
CAN/ULC-S627:2023

US Patent Pending

INSTALLATEUR : Laisser le présent guide avec l'appareil

CONSOMMATEUR : Sauvegarder les présentes instructions pour référence future.

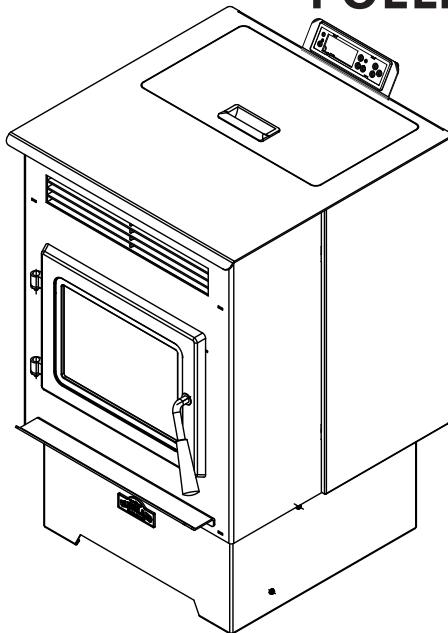


GUIDE DU PROPRIÉTAIRE ET INSTRUCTIONS D'UTILISATION

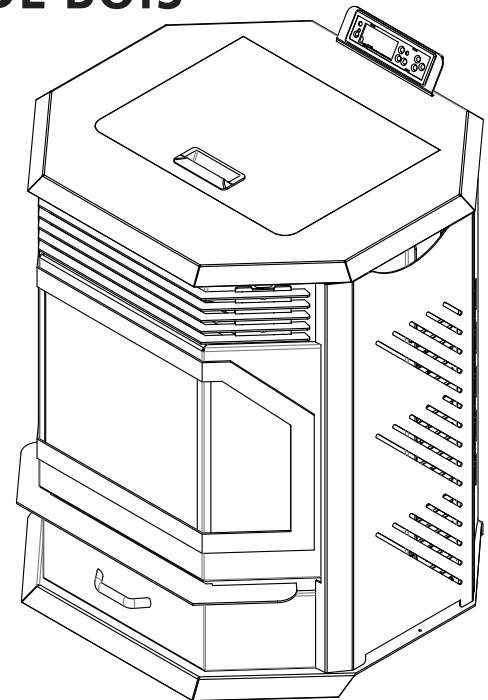
N° de modèle
C60W
C130W
CBF66W

LIRE LES INSTRUCTIONS ATTENTIVEMENT : Veuillez lire le présent manuel au complet avant d'installer et d'utiliser ce poêle à grenailles de bois. Ne pas suivre les directives comprises pourrait résulter en des dommages matériels ou des blessures graves, voire la mort. Ne pas laisser quiconque qui n'a pas lu les instructions du présent manuel assembler, allumer, régler ou faire fonctionner le poêle. Remiser ce manuel dans un endroit sûr pour référence ultérieure.

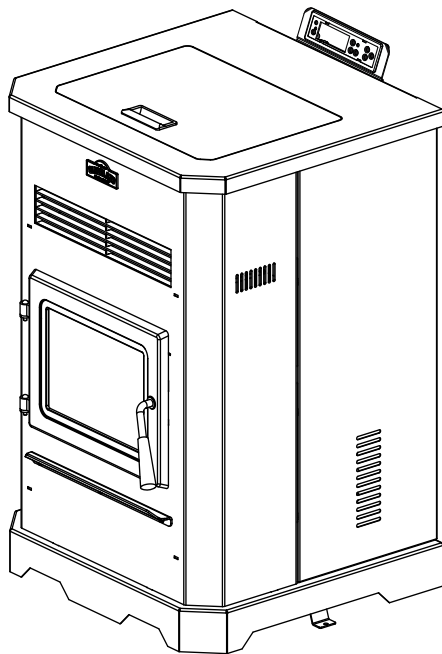
POÊLE À GRENAILLES DE BOIS



C60W



CBF66W



C130W



Apple Store



Google Play Store

POUR DÉTERMINER VOTRE BESOIN DE PERMIS, CONSULTEZ LES AUTORITÉS AYANT JURIDICTIONS DANS VOTRE LOCALITÉ (AUTORITÉS DE PRÉVENTION DES INCENDIES, SERVICE DE LA CONSTRUCTION MUNICIPAL, ETC.). RESPECTEZ TOUS LES CODES DE LA CONSTRUCTIONS LOCAUX.

AVERTISSEMENTS GÉNÉRAUX DE DANGERS :

- ⚠ NE PAS SE CONFORMER AUX PRÉCAUTIONS ET INSTRUCTIONS FOURNIES PEUT RÉSULTER EN UN DÉCÈS DE PERSONNE OU DES BLESSURES GRAVES ET DES DOMMAGES MATÉRIELS RÉSULTANT DES DANGERS D'INCENDIE, DE DÉFLAGRATION, DE BRÛLURE, D'ASPHYXIATION D'EMPOISONNEMENT AU MONOXYDE DE CARBONE ET/OU DE CHOC ÉLECTRIQUE.
- ⚠ SEULES LES PERSONNES POUVANT COMPRENDRE ET SUIVRE LES INSTRUCTIONS DEVRAIENT UTILISER OU ENTREtenir CE POÊLE.
- ⚠ POUR TOUTE ASSISTANCE, RENSEIGNEMENT OU POUR UN EXEMPLAIRE DU MANUEL D'INSTRUCTION, OU D'ÉTIQUETTES DE REMPLACEMENT, VEUILLEZ COMMUNIQUER AVEC LE FABRICANT.

AVERTISSEMENT :

- ⚠ DANGER D'INCENDIE, DE BRÛLURE, D'ÉMANATIONS ET DE DÉFLAGRATION. GARDER LES MATIÈRES COMBUSTIBLES SOLIDES TEL LES MATÉRIAUX DE CONSTRUCTION, LE CARTON OU LE PAPIER À UNE DISTANCE SÉCURITAIRE DU POÊLE SELON LES RECOMMANDATIONS DU MANUEL, NE JAMAIS UTILISER LE POÊLE DANS UN LIEU AYANT OU QUI A POSSIBILITÉ D'AVOIR DES MATIÈRES VOLATILES EN SUSPENSION DANS L'AIR OU DES PRODUITS COMME L'ESSENCE, DES SOLVANTS, DES DILUANTS À PEINTURE, DE LA POUSSIÈRE OU DES PRODUITS CHIMIQUES INCONNUS.

⚠ **AVERTISSEMENT :** Ce produit peut vous exposer à des produits chimiques incluant le plomb et des composés du plomb, reconnus par l'État de la Californie causer le cancer et des défauts congénitaux ou d'autres sévices du système reproducteur. Pour plus d'information visitez www.P65Warnings.ca.gov

Table des matières

SPECIFICATIONS.....	3
COMMENCER.....	4
PRÉCAUTIONS DE SÉCURITÉ.....	5
DISTANCES DE DÉGAGEMENT DES MATÉRIAUX COMBUSTIBLES.....	6
DÉBALLAGE ET ASSEMBLAGE.....	7
INSTALLATION.....	8
EXIGENCES SUPPLÉMENTAIRES POUR LES MAISONS MOBILES	12
FONCTIONNEMENT.....	14
CONNEXION WI-FI « SMART STOVE ».....	16
COMMANDES WI-FI.....	17
COMMANDES MULTIFONCTIONS.....	18
OPÉRATION MANUELLE DU POÊLE.....	18
ENTRETIEN.....	20
SCHÉMA DE CÂBLAGE.....	30
PIÈCES DE SERVICE.....	31

INFORMATIONS ÉMISES À LA FCC

MISE EN GARDE: Tout changement ou modification qui ne serait pas approuvé expressément par la partie responsable de sa conformité peut causer l'annulation de l'autorité de l'utilisateur de faire fonctionner cet équipement.

REMARQUE: Cet appareil a été testé et a été déterminé comme conforme aux limites d'un appareil numérique de Classe B, conformément à la Section 15 des réglementations FCC. Ces limites sont conçues pour offrir une protection raisonnable contre une interférence nuisible dans une installation résidentielle. Cet appareil génère, et peut irradier de l'énergie en radiofréquence et, s'il n'est pas installé et utilisé en conformité avec ces instructions, il peut causer une interférence nuisible aux communications radio. Toutefois, il n'est pas garanti qu'une telle interférence ne puisse survenir dans une installation particulière. Si l'appareil cause une interférence nuisible à la réception radio ou télévisuelle, ce qui peut être déterminé en mettant en marche l'appareil puis en l'éteignant, l'utilisateur est encouragé à tenter de corriger cette interférence par une ou l'autre des mesures suivantes:

- Réorienter ou relocaliser l'antenne réceptrice.
- Augmenter la distance de séparation entre l'appareil et le récepteur.
- Connecter l'appareil dans une prise de courant qui se trouve sur un circuit différent de celui dans lequel le récepteur est connecté.
- Consulter le détaillant ou un technicien expérimenté en radio/télé pour de l'aide.

Le présent manuel décrit la procédure d'installation et de fonctionnement des poêles à grenailles de bois. Votre poêle est conforme aux limites d'émission de l'EPA (Environmental Protection Agency) des États-Unis pour les poêles à grenailles fabriqués après l'année 2020. Sous des conditions d'essai précises, il a été déterminé que ces poêles produisent une sortie de chaleur entre :

- C60W : 10 771 et 30 124 Btu/h
- C130W : 12 746 à 29 501 Btu/h
- CBF66W : 11 624 à 30 173 Btu/h

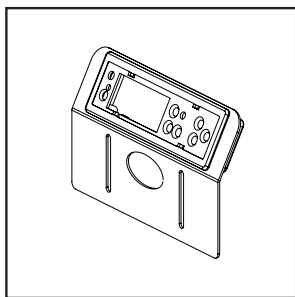
SPÉCIFICATIONS

N° de modèle	C60W	C130W	CBF66W
DIMENSIONS			
Poids du poêle [kg (lb)]	90 (198)	100 (221)	120 (265)
Dimensions du poêle prof.x larg.x haut. [cm (po)]	59,7 x 55,2 x 84,5 (23,5 x 21,75 x 33,25)	61,0 x 62,2 x 92,7 (24,0 x 24,5 x 36,5)	66,5 x 62,3 x 77,2 (26,2 x 24,5 x 30,4)
Diamètre du tuyau d'entrée d'air [mm (po)]	50 (2)	50 (2)	50 (2)
Diamètre du tuyau de sortie d'air [mm (po)]	80 (3)	80 (3)	80 (3)
Capacité de la trémie de grenailles [kg (lb)]	27,2 (60)	59,0 (130)	29,9 (66)
SPÉCIFICATIONS DE FONCTIONNEMENT			
Carburant	Grenailles de bois	Grenailles de bois	Grenailles de bois
Chauffe approximativement ** [m ² (pi ²)]	139 - 204 (1500 - 2200)	186 - 279 (2000 - 3000)	167 - 232 (1800 - 2500)
Monoxyde de carbone produit (g/min)	Sur réglage élevé : 0,32 Sur réglage bas : 0,18	Sur réglage élevé : 0,20 Sur réglage bas : 0,36	Sur réglage élevé : 0,11 Sur réglage bas : 0,21
Taux de consommation de grenailles sur réglage bas [kg/h (lb/h)]	0,72 - Sec (1,59)	0,90 - Sec (1,98)	0,79 - Sec (1,74)
Taux de consommation de grenailles sur réglage moyen [kg/h (lb/h)]	0,92 - Sec (2,03)	1,28 - Sec (2,82)	1,07 - Sec (2,36)
Taux de consommation de grenailles sur réglage élevé [kg/h (lb/h)]	1,98 - Sec (4,37)	2,19 - Sec (4,83)	2,12 - Sec (4,67)
Rendement du poêle	84%	77%	80%
Taux de sortie de chaleur bas [BTU/ HR (kW)]	10,771 (3,16)	12,746 (3,74)	11,624 (3,41)
Taux de sortie de chaleur moyen [BTU/HR (kW)]	13,910 (4,08)	18,088 (5,30)	15,511 (4,55)
Taux de sortie de chaleur élevé [BTU/HR (kW)]	30,124 (8,83)	29,501 (8,65)	30,173 (8,84)
SPÉCIFICATIONS ÉLECTRIQUES			
Exigences d'alimentation électrique (Tension/Fréquence/Phase)	120 V / 60 Hz / 1	120 V / 60 Hz / 1	120 V / 60 Hz / 1
Courant électrique durant la phase d'allumage (Ampères)	3,3	3,3	3,3
Vitesse de rotation du moteur de la tarière (t/min)	2,4	2,4	2,4

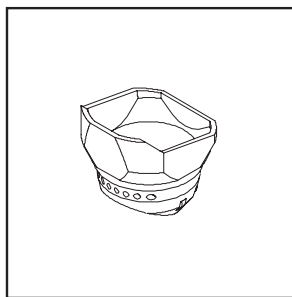
* L'énergie (BTU) de sortie variera selon la marque du combustible utilisé.

** Selon degré d'isolation de la pièce et la zone climatique. Les différences de climat et la localisation affectent les attributs comme le rendement du poêle et la production de monoxyde e carbone.

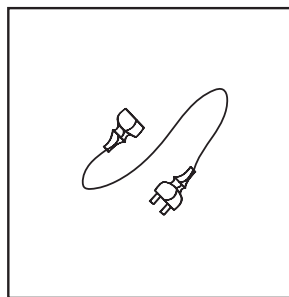
COMMENCER



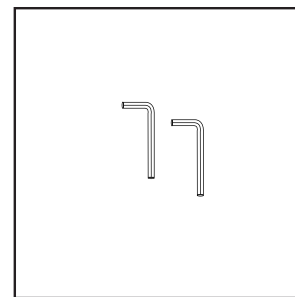
Panneau d'affichage



Pot de feu

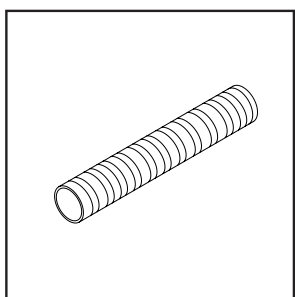


Cordon d'alimentation électrique

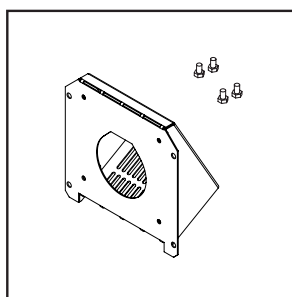


Clés Allen (x2)

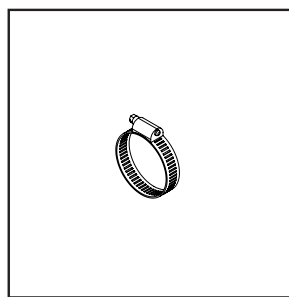
KIT D'ACCESSOIRES



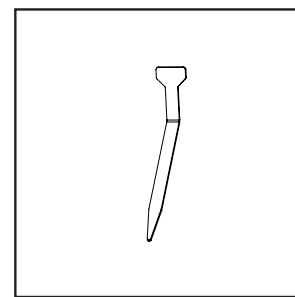
Tuyau flexible



Limite de terminaison et Des vis (x4)



Collier de serrage



Outil de nettoyage

CE DONT VOUS AVEZ BESOIN (NON FOURNIS)

OUTILS REQUIS

- Ruban à mesurer
- Tournevis Phillips (manuel ou électrique).
- Localisateur de montants
- Fil à plomb
- Scie sauteuse
- Silicone haute température ou scellant haute température ou ruban de conduit de fumée haute température
- Protection de plancher (voir SUPERFICIE DE PLANCHER et MATÉRIAUX DE REVÊTEMENT DE SOL à la page 6)
- Tuyau d'évent de 80 mm (3 po) de diamètre de type « L » ou « PL » portant les sceaux d'enregistrement UL 641, ULC S609 (Norme « Standard for 650 C Factory-Built Chimneys »), ou ULC/ORD C441. Installer selon les instructions du fabricant de cheminée (voir page 9)

ÉQUIPEMENT DE SÉCURITÉ (RECOMMANDÉ)

- Lunettes de sécurité
- Gants
- Chaussures fermées
- Un assistant (le poêle est lourd, ne tentez pas de le déplacer par vous-même).

INFORMATIONS SUR LA PILE

La télécommande qui est livrée avec votre poêle est fournie avec une (1) pile au Lithium CR2025 de 3 volts, déjà installée.

IMPORTANT:

- Les piles qui ne sont pas rechargeables ne doivent pas être rechargées.
- Les piles doivent être insérées avec la bonne polarité.
- Les piles épuisées doivent être retirées de la télécommande.
- Mise en garde : Éviter l'ingestion d'une ou de plusieurs piles.

⚠ AVERTISSEMENT : NE PAS JETER LES PILES DANS LE FEU. LES BATTERIES PEUVENT EXPLOSER OU FUTER.

⚠️ AVERTISSEMENT

- **DANGER D'INGESTION** : Ce produit contient une pile bouton ou une pile mince.
- **UN DÉCÈS** ou des blessures graves peuvent survenir en cas d'ingestion.
- Si avalée, une pile bouton ou une pile mince peut causer des **brûlures chimiques internes** en aussi peu de temps que **2 heures**.
- **GARDER** les piles neuves et épuisées **HORS DE PORTÉE DES ENFANTS**
- **Consulter immédiatement un professionnel de la santé** si vous suspectez qu'une pile a été avalée ou insérée à l'intérieur d'une partie du corps.



- Appeler un centre antipoison local pour déterminer les informations de traitement.
- Retirer et disposer immédiatement les piles épuisées conformément aux réglementations locales, et les garder éloignées des enfants. NE PAS disposer les piles dans une poubelle résidentielle, et ne pas les incinérer. Même une pile épuisée peut causer des blessures graves ou un décès.
- Les piles non-rechargeables ne doivent pas être rechargées. Il ne faut pas forcer la décharge, la recharge, il ne faut démonter, ni chauffer à une température supérieure (à la température spécifiée par le fabricant) ni l'incinérer. Cela pourrait causer des blessures en raison de l'évacuation, d'un coulage ou de l'explosion pouvant causer des brûlures chimiques.
- S'assurer que les piles soient installées correctement avec la bonne polarité (+ et -). Ne pas mélanger des piles anciennes avec des piles neuves, ou encore des marques ou des types différents de piles ensemble, comme des piles alcalines, carbone-zinc, ou rechargeables. Retirer et recycler ou jeter immédiatement les piles de l'équipement qui ne sera pas utilisé pendant une longue période de temps, conformément aux réglementations locales.

PRÉCAUTIONS DE SÉCURITÉ

ÉTABLISSEZ UNE RÉACTION DE SURVIE EN CAS D'INCENDIE. COMMUNIQUEZ AVEC LE SERVICE D'INCENDIE LOCAL POUR OBTENIR DES RENSEIGNEMENTS ET UNE PROCÉDURE D' ACTIONS À PRENDRE EN CAS DE FEU DE CHEMINÉE.

⚠️ AVERTISSEMENT : NE PAS LOCALISER DANS LES CHAMBRES À COUCHER.

⚠️ ATTENTION : MANIPULER LE POÊLE AVEC SOIN. ÉVITER DE LE SOUMETTRE À DES CHOCS OU DE L'ÉGRATIGNER ET DE FERMER BRUSQUEMENT LES PORTES VITRÉES. NE PAS FAIRE FONCTIONNER AVEC UNE OU DES VITRES ÉGRATIGNÉES, FISSURÉES OU BRISÉES.

⚠️ AVERTISSEMENT : BRÛLANT DURANT LE FONCTIONNEMENT. GARDER LES ENFANTS, LES VÊTEMENTS ET L'AMEUBLEMENT ÉLOIGNÉS. LE CONTACT POURRAIT CAUSER DES BRÛLURES.

⚠️ AVERTISSEMENT : NE JAMAIS LAISSER D'ENFANT SANS SURVEILLANCE DANS UNE PIÈCE COMPRENANT UN POÊLE EN FONCTIONNEMENT.

⚠️ AVERTISSEMENT : NE PAS CHAUFFER À BLOC. CHAUFFER LE POÊLE DE FAÇON EXCESSIVE POURRAIT CAUSER UN INCENDIE. SI L'UNITÉ OU LE RACCORD DE CHEMINÉE ROUGIT C'EST QUE LE POÊLE EST CHAUFFÉ DE FAÇON EXCESSIVE.

⚠️ AVERTISSEMENT : CE POÊLE À BOIS A UN TAUX D'ALIMENTATION MINIMUM RÉGLÉ PAR LE FABRICANT QUI NE DOIT PAS ÊTRE MODIFIÉ. IL EST CONTRAIRE À LA RÉGLEMENTATION FÉDÉRALE DE RÉGLER OU DE FAIRE FONCTIONNER CE POÊLE DE FAÇON NON CONFORME AUX INSTRUCTIONS DE FONCTIONNEMENT COMPRISES DANS CE GUIDE DU PROPRIÉTAIRE.

MONOXYDE DE CARBONE

AVERTISSEMENT :

⚠ SI UTILISÉ SANS COMBUSTIBLE ET AÉRATION ADÉQUATS, CE POÊLE PEUT PRODUIRE UN EXCÈS DE MONOXYDE DE CARBONE, UN GAZ MORTEL SANS ODEUR.

AVERTISSEMENT :

⚠ DES SIGNES AVANT-COUREURS D'EMPOISONNEMENT AU MONOXYDE DE CARBONE SONT UNE RESSEMBLANCE AUX SYMPTÔMES DE LA GRIPPE AVEC CÉPHALÉES, ÉTOURDISSEMENTS ET/OU NAUSÉES. SI VOUS SOUFFREZ DE CES SYMPTÔMES, LE POÊLE POURRAIT EN ÊTRE LA CAUSE EN RAISON DE MAUVAIS FONCTIONNEMENT. OBTENEZ DE L'AIR FRAIS À RESPIRER SUR LE CHAMP! FAITES UN ENTRETIEN DU POÊLE.

CERTAINES PERSONNES - FEMMES ENCEINTES, PERSONNES SOUFFRANT DE PROBLÈMES CARDIAQUES OU DE MALADIES, D'ANÉMIE, CELLES EN ÉTAT D'ÉBRIÉTÉ OU PERSONNES SE TROUVANT EN RÉGION MONTAGNEUSE TRÈS ÉLEVÉE - SONT PLUS SUJETTES À ÊTRE AFFECTÉES PAR LE MONOXYDE DE CARBONE QUE LES AUTRES PERSONNES.

Peu importe le niveau de sécurité intrinsèque de ce poêle, tous les appareils consommant un carburant créent du monoxyde de carbone. Il est toujours bon de prévenir autant que possible les dangers pouvant vous affecter ainsi que votre entourage en installant un détecteur de monoxyde de carbone. Il est recommandé d'installer un détecteur dans les aires susceptibles de générer du monoxyde de carbone comme là où se trouve un poêle ou l'aire d'entreposage des grenailles ou bien les hangars chauffés par système hydronique. Suivez les instructions de montage, de fonctionnement et d'entretien fournies par le fabricant de votre détecteur.

DÉTECTEURS DE FUMÉE

Installez au moins 1 détecteur de fumée à chaque niveau de votre demeure. Suivez les instructions de montage, de fonctionnement et d'entretien fournies par le fabricant de votre détecteur. Évitez les fausses alarmes en plaçant le détecteur hors de l'emplacement immédiat du poêle. Généralement, un bon endroit pour installer les détecteurs de fumée est près des chambres à coucher.

POUR PLUS D'INFORMATION DE SÉCURITÉ

Pour des renseignements supplémentaires concernant la sécurité de fonctionnement des poêles à grenailles de bois, communiquez avec la NFPA (National Fire Protection Association), par la poste, à :

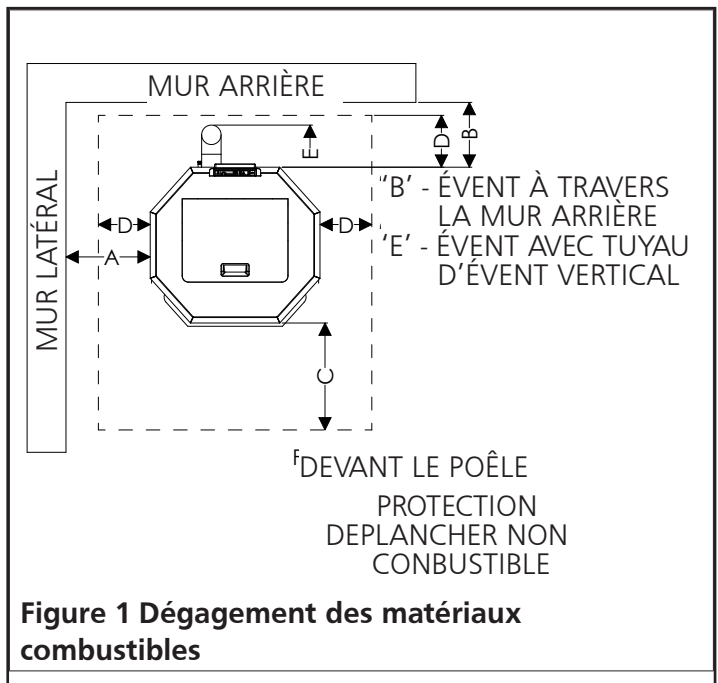
NFPA, Batterymarch Park, Quincy, MA 02269, U.S.A.

ou visitez le site Web de la NFPA :

<https://www.nfpa.org/>

DISTANCES DE DÉGAGEMENT DES MATÉRIAUX COMBUSTIBLES

Les distances de dégagement indiquées ci-dessous représentent les dégagements minimum entre le poêle et tout autre objet. Aucun objet ne devrait se trouver dans cet espace. Ceux-ci comprennent, sans s'y limiter, les tapis, meubles, enfants, animaux domestiques, vêtements, carburant ou tout autre objet. Ces distances ne pourront seulement être réduites que par les autorités ayant juridiction.



	ÉTATS-UNIS	CANADA
A	330 mm (13 po)	330 mm (13 po)
B	51 mm (2 po)	51 mm (2 po)
C	457 mm (18 po)	457 mm (18 po)
D	203 mm (8 po)	203 mm (8 po)
E	76 mm (3 po)	76 mm (3 po)

SUPERFICIE DE PLANCHER ET DÉGAGEMENTS

Lorsqu'installé sur un plancher combustible, une protection non combustible est requise pour :

- Couvrir l'aire sous le poêle en se prolongeant d'au moins 457 mm (18 po) sur le devant;
- Couvrir la surface sur les côtés du poêle sur au moins 203 mm (8 po);
- Couvrir l'aire sous le tuyau d'échappement en excédant cette aire par une couverture de 51 mm (2 po) sur les côtés.

De plus, le poêle à grenailles de bois devra être positionné de sorte :

- Qu'il y ait un dégagement minimum de 330 mm (13 po) de chaque côté de l'appareil.
- Qu'il y ait un dégagement minimum de 51 mm (2 po) à l'arrière de l'appareil.
- Que le tuyau d'échappement vertical soit dégagé d'au moins 76 mm (3 po) de tout mur.

Finalement, la pièce dans laquelle le poêle à grenailles de bois est installé devra avoir une hauteur de plafond d'au moins 2 134 mm (84 po)

MATÉRIAUX DE REVÊTEMENT DE SOL

La protection de plancher devra avoir toutes les caractéristiques suivantes :

- Enregistrement UL-1618
- Au moins 13 mm (0,5 po) d'épaisseur
- Faite de matériau non combustible
- Avoir soit :
 - Une valeur de résistance thermique R de $1,19 \frac{(\text{pi}^2)(\text{h})(^\circ\text{F})}{\text{Btu}}$
 - Une valeur de conductivité thermique k de $0,84 \frac{(\text{Btu})(\text{po})}{(\text{pi}^2)(\text{h})(^\circ\text{F})}$

Comme assistance pour évaluer l'acceptabilité de matériaux substitués, les équivalences de spécifications et exemples ci-dessous vous sont fournis.

$$\text{Conductivité thermique } k = \frac{\text{épaisseur}}{R} \left(\frac{(\text{Btu})(\text{po})}{(\text{pi}^2)(\text{h})(^\circ\text{F})} \text{ ou } \frac{W}{(\text{m})(^\circ\text{K})} \right)$$

$$\text{Conductance thermique } C = \frac{1}{R} \left(\frac{(\text{Btu})}{(\text{pi}^2)(\text{h})(^\circ\text{F})} \text{ ou } \frac{W}{(\text{m}^2)(^\circ\text{K})} \right)$$

Exemple : Requis pour protéger le plancher avec une valeur R de $1,19 \frac{(\text{pi}^2)(\text{h})(^\circ\text{F})}{\text{Btu}}$.

Évaluation du mérite de briques de 57 mm (2 po) d'épaisseur de conductivité thermique k de $4,16 \frac{(\text{Btu})(\text{po})}{(\text{pi}^2)(\text{h})(^\circ\text{F})}$

sur une couche de panneau minéralisé de 6,3 mm (po) ayant une valeur C de $2,3 \frac{(\text{Btu})}{(\text{pi}^2)(\text{h})(^\circ\text{F})}$.

Étape 1. Calculez la valeur R de chaque matériau du plancher

$$R_{\text{BRIQUE}} = \frac{\text{épaisseur}}{k} = \frac{2,25}{4,16} = 0,54$$

$$R_{\text{PANNEAU}} = \frac{1}{C} = \frac{1}{2,3} = 0,434$$

Étape 2. Ajoutez les valeurs R équivalentes pour chaque matériau du plancher

$$R_{\text{BRIQUE}} + R_{\text{PANNEAU}} = 0,54 + 0,434 = 0,974$$

Étape 3. Cette valeur R combinée est **insuffisante** donc plus de protection doit être installée. Par exemple, en plaçant deux couches de briques :

$$R_{\text{BRIQUE}} + R_{\text{BRIQUE}} + R_{\text{PANNEAU}} = 0,54 + 0,54 + 0,434 = 1,514$$

Étape 4. Puisque cette valeur R combinée est plus grande que la spécification requise, ce montage sera suffisant pour protéger le plancher sous le poêle.

DÉBALLAGE

1. Sortir le poêle du carton d'emballage.
2. Retirer tout le matériel protecteur placé sur le poêle pour l'expédition.
3. Inspecter le poêle pour détecter tout dommage d'expédition. Si des dommages sont détectés, appelez le fabricant sur le champ-au 1-800-251-0001.

⚠ ATTENTION : TOUTE PIÈCE ENDOMMAGÉE POURRAIT COMPROMETTRE LE FONCTIONNEMENT SÉCURITAIRE.

- **NE PAS INSTALLER DES COMPOSANTS INCOMPLETS.**
- **NE PAS INSTALLER DES COMPOSANTS SUBSTITUÉS.**
- **NE PAS INSTALLER DES COMPOSANTS ENDOMMAGÉS.**

4. Pour assurer la sécurité de certaines pièces délicates, celles-ci sont emballées séparément. Veuillez les localiser, vraisemblablement à l'intérieur de l'appareil pour procéder à leur assemblage.

ASSEMBLAGE

Étape 1 - Panneau d'affichage

Insérer le panneau d'affichage à l'arrière du dessus du poêle. Assurez-vous de sa bonne orientation pour lecture à partir du devant du poêle. Fixez l'afficheur à l'aide des deux vis fournies.

Étape 2 - Câble d'alimentation de l'afficheur

Ce câble devrait être enroulé sous le couvercle du poêle. Insérez l'extrémité libre dans le dos du panneau d'affichage (voir figure 16 à la page 15). Ce câble devrait déjà être connecté à la carte d'alimentation du poêle. Vous pouvez vérifier cette connexion derrière la plaque d'accès à l'arrière du poêle.

Étape 3 - Cordon d'alimentation électrique

Le cordon d'alimentation se branche dans la prise à l'arrière du poêle. Après tout assemblage requis du panneau d'affichage, vous pouvez brancher votre poêle temporairement pour vous assurer du fonctionnement de l'afficheur avant de continuer l'installation. Après avoir confirmé le fonctionnement de l'afficheur, éteignez et débranchez le cordon électrique.

⚠ ATTENTION : NE PAS LAISSER LE POÊLE BRANCHÉ DANS LA PRISE ÉLECTRIQUE DURANT L'ASSEMBLAGE OU LE MONTAGE.

Étape 4 - Pot de combustion

En l'absence de toute alimentation électrique, le pot de combustion devrait être inséré adéquatement dans le poêle pour que l'allumeur puisse entrer en contact avec les grenailles. Voir figure 2 ou 3.

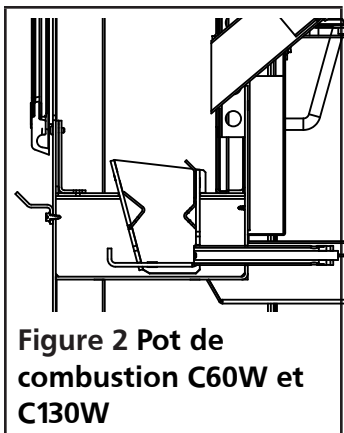


Figure 2 Pot de combustion C60W et C130W

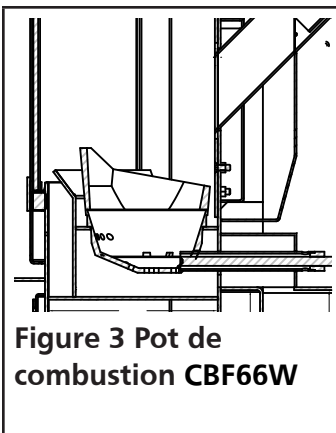


Figure 3 Pot de combustion CBF66W

Une trousse de nettoyage est également emballée, ce qui facilitera le nettoyage de débris des perforations du pot.

Étape 5 - Trousse d'entrée d'air

Localisez la trousse d'entrée d'air expédiée avec le poêle. Voir Figure 4. Mesurez votre pièce et planifiez l'installation de l'évent horizontal pouvant être requis selon les recommandations indiquées dans EXIGENCES D'AIR FRAIS ET D'AÉRATION on page 8. Respectez toutes les exigences d'aération et suivez les directives indiquées dans INSTALLATION on page 8.

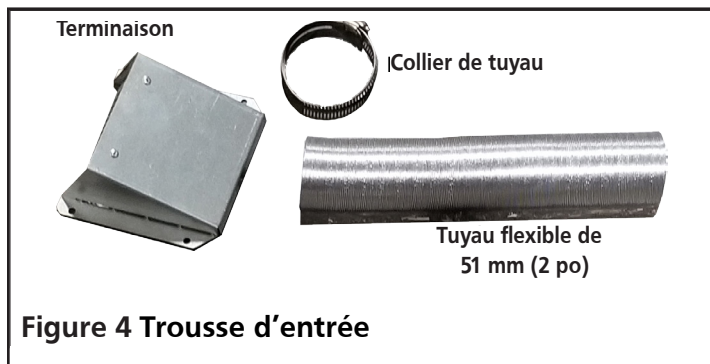


Figure 4 Trousse d'entrée

Assemblage supplémentaire C60W, C130W

- Poignée de porte : ouvrez la porte et vissez l'emprise plastifiée dans les filets de la poignée.

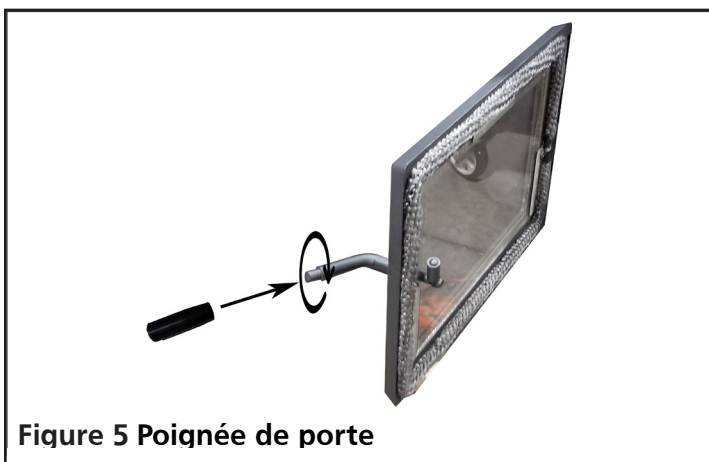


Figure 5 Poignée de porte

INSTALLATION

INFORMATION DE CONTACT

Pour toute question concernant les options de ventilation de votre poêle, veuillez contacter soit :

Le fabricant Enerco Group à 1-800-251-0001. Nos heures de bureau sont de 8:00 h à 17:00 h, HNE, du lundi au vendredi..

NFPA (National Fire Protection Association) et demander un exemplaire de la dernière édition de la publication NFPA Standard 211. L'adresse postale de la NFPA est Batterymarch Park, Quincy, MA 02269 U.S.A.

⚠ AVERTISSEMENT : SI CE POÊLE N'EST PAS BIEN INSTALLÉ, IL POURRAIT EN RÉSULTER UN INCENDIE DE DOMICILE. POUR MINIMISER LE DANGER D'INCENDIE, SUIVRE LES DIRECTIVES D'INSTALLATION. CONTACTER LES AUTORITÉS DU CODE DE LA CONSTRUCTION OU LE SERVICE D'INCENDIE POUR CONNAÎTRE LES RESTRICTIONS ET LES INSPECTIONS D'APPROBATION REQUISES DANS VOTRE RÉGION.

⚠ ATTENTION : TOUT ÉCART OU MODIFICATION DE CES DIRECTIVES POURRAIT RÉSULTER EN DES BLESSURES OU DES DOMMAGES AU POÊLE, À LA CHEMINÉE ET À VOTRE DEMEURE. LA GARANTIE POURRAIT ÊTRE ANNULÉE. LIRE ET SUIVRE TOUTES LES INSTRUCTIONS. Pour toute préoccupation, question ou commentaire, communiquez avec CBF66W.

⚠ ATTENTION : CONTACTER LES AUTORITÉS DU CODE DE LA CONSTRUCTION OU LE SERVICE D'INCENDIE POUR CONNAÎTRE LES RESTRICTIONS ET LES INSPECTIONS D'APPROBATION REQUISES DANS VOTRE RÉGION.

PLANIFICATION

Assurez-vous que vous avez sélectionné le bon poêle pour vos besoins en consultant le tableau de spécifications à la page 3. Prenez les mesures de vos quartiers et planifiez votre système de cheminée selon les instructions détaillées ci-dessous.

Ce poêle à grenailles peut être installé dans une maison mobile. En plus des instructions ci-dessous, passez en revue et respectez les exigences obligatoires à la page 11.

CONSIDÉRATIONS ÉLECTRIQUES

Une prise électrique devra être disponible à environ 2 m (6,5 pi) sur le mur derrière le poêle. Placer le cordon d'alimentation de façon qu'il ne vienne en contact avec la surface du poêle.

EXIGENCES D'AIR FRAIS ET D'AÉRATION

Lorsque vous décidez de la localisation du poêle, assurez-vous que l'aire sera toujours approvisionnée d'air frais. Un manque d'air pourrait appauvrir tous les appareils à combustion de vos quartiers et possiblement causer une condition dangereuse. L'approvisionnement d'air de combustion de l'extérieur pourrait être nécessaire pour garantir que les appareils à combustion ne créent pas d'émanations dangereuses à l'intérieur. Le guide pour déterminer le besoin d'air de combustion supplémentaire pourrait ne pas être exact dans toutes les situations. En cas de doute, nous conseillons d'amener un approvisionnement d'air supplémentaire. De l'air de combustion extérieur pourrait être requis si les indications ci-dessous, ou d'autres indications, suggèrent que l'apport d'air est insuffisant :

- Le poêle à grenailles de bois n'aspire pas de façon constante et produit des bouffées de fumée, les grenailles ne brûlent pas facilement et le tirage de la cheminée s'inverse lors de combustion ou non.
- Autre équipement de combustion dans la maison, tel un foyer ouvert ou autre appareil de combustion dégageant odeur de combustion ou ne fonctionnant pas adéquatement, dégage de la fumée dans la pièce lorsqu'ouvert pour chargement ou soumis à un tirage inverse de cheminée lors de combustion ou non.
- Si n'importe lequel des symptômes ci-dessus se redresse lors de journées non venteuses ou en ouvrant une fenêtre légèrement.
- La maison est très étanche avec pare-vapeur et fenêtres bien scellées ou possède des dispositifs d'expulsion d'air intérieur.
- Une condensation excessive se produit dans les fenêtres en hiver.
- Un système d'aération est installé sur la maison.

De l'air de combustion supplémentaire pourrait être approvisionné au poêle à grenailles de bois directement de l'extérieur par l'entremise de la trousse d'entrée d'air comprise pour se connecter à l'entrée d'air en bas à l'arrière du poêle. Toute installation de la sorte devra satisfaire la Clause 4 de la norme B365 de la CSA.

⚠ ATTENTION : NE JAMAIS ASPIRER D'AIR DE COMBUSTION DU :

- PLÉNUM D'AIR DES MURS, DU PLANCHER ET DU PLAFOND.
- D'UN ESPACE CLOS TEL UN GRENIER, UN VIDE SANITAIRE OU UN GARAGE.

⚠ ATTENTION : SI UN TUYAU D'ENTRÉE D'AIR EST RACCORDÉ, ALORS LE POÊLE DEVRA ÊTRE FIXÉ À LA STRUCTURE DE LA MAISON.

EXIGENCES D'ÉVACUATION ADDITIONNELLE

Un minimum de 1,8 m (6 pi) de tuyau d'évent (n'incluant pas les coudes) doit être utilisé.

- Utiliser un tuyau d'évent de 8 cm (3 po) pour le système en entier, OU il est possible d'utiliser un adaptateur de 10/15 cm (4 ou 6 po) sur l'évacuation, immédiatement là où elle quitte le poêle.
- Si le système a plus de 4,9 m (16 pi), utiliser un tuyau d'évent de 10 cm (4 po).
- La longueur minimale du conduit vertical est de 1,2 m (4 pi), et un coude à 45 degrés/chapeau de cheminée est requis sur la terminaison de l'évacuation.

IMPORTANT: Un scellant à la silicone doit être ajouté entre les doubles parois d'un conduit terminal.

EXIGENCES ET ASSEMBLAGE DES RACCORDS

⚠ ATTENTION : LE TUYAU DE RACCORDEMENT DE CHEMINÉE NE DOIT PAS TRAVERSER LE GRENIER OU LE TOIT, OU TOUT GARDE-ROBE OU ARMOIRE (OU AUTRE ESPACE CLOS) NI LE PLANCHER OU LE PLAFOND. POUR LE RACCORDEMENT D'APPAREILS DE CHAUFFAGE À COMBUSTIBLE SOLIDE À TRAVERS UN MUR OU PARTITION DE MATÉRIAU COMBUSTIBLE, L'INSTALLATION DEVRA ÊTRE CONFORME À LA NORME CAN/CSA-B365.

Tous les tuyaux et coudes devraient être installés avec l'extrémité à sertir vers le poêle (et non vers la sortie de la cheminée) et devraient être fixés avec trois vis à métal réparties également sur la circonférence.

Les raccords, coudes et sections de cheminée devraient être de type « L » ou « PL » et de diamètre de 80 mm (3 po) puisque le système d'aspiration est basé sur une pression négative dans la chambre à combustion et une légère surpression à la sortie des gaz. Il sera donc important que le raccordement de la tuyauterie soit bien ajusté et scellé.

Nous recommandons que la tuyauterie des raccords, des coudes et de la cheminée soient de type B pour aération à double paroi et de calibre minimum n°24.

Veillez noter que les coudes dans le système d'échappement réduisent le débit d'air, diminuant la performance et qu'ils offrent un point d'accumulation de dépôts de cendre nécessitant un nettoyage plus fréquent.

⚠ ATTENTION : LES JONCTIONS DE TOUS LES TUYAUX DE RACCORDEMENT DE SYSTÈME D'AÉRATION (CANALISATION OPTIONNELLE D'ENTRÉE D'AIR OU ÉCHAPPEMENT DE COMBUSTION) DEVRONT ÊTRE SCÉLLÉES À L'AIDE DE SILICONE RÉSISTANT AUX TEMPÉRATURES ÉLEVÉES.

EXIGENCES GÉNÉRALES D'AÉRATION

⚠ ATTENTION : NE RACCORDER À AUCUNE CANALISATION OU SYSTÈME DE DISTRIBUTION D'AIR.

⚠ ATTENTION : NE PAS RACCORDER CETTE UNITÉ À UNE CHEMINÉE CONNECTÉE À UN AUTRE APPAREIL.

⚠ ATTENTION : NE PAS INSTALLER DE REGISTRE DE TIRAGE À CLAPET DANS LE TUYAU D'ÉCHAPPEMENT DE CE POÊLE À GRENAILLES DE BOIS.

⚠ ATTENTION : NE PAS INSTALLER DANS UN FOYER.

Ce poêle à grenailles de bois doit être connecté à une cheminée portant l'une ou l'autre des homologations suivantes :

- Enregistrement de classe A conforme aux exigences du type HT de la norme UL 103 (Standard for Chimneys, Factory-Built, Residential Type and Building Heating Appliance)
- Cheminée de maçonnerie certifiée ICBO (International Conference of Building Officials) pour les poêles à combustible solide.

CAPUCHON D'ÉVENT

- Installer l'évent d'échappement en respectant les distances de dégagement spécifiées par le fabricant.
- Installer le capuchon d'évent d'échappement en respectant les distances de dégagement spécifiées par le fabricant.
- Si vous utilisez la trousse d'entrée d'air, assurez-vous qu'il y ait au moins 30 cm (12 po) de dégagement entre le capuchon d'évent et la bouche d'entrée d'air.
- Il est aussi recommandé de garder au moins 30 cm (12 po) de dégagement entre la sortie d'évent et les fenêtres, portes ou coins de murs extérieurs.
- Les endroits traversés vers l'extérieur par la cheminée ou d'autres composants devront être scellés à la silicone.

- Pour confirmer que toutes les exigences sont respectées, se référer aux codes locaux.

Les cheminées verticales devront répondre aux exigences minimales suivantes :

- Longueur minimum de 4,6 m (15 pi) mesuré du dessus du poêle jusqu'au dessus du capuchon de la cheminée.
- Si la faîte du toit se trouve à une distance verticale de moins de 305 cm (10 pi) du point de sortie de la cheminée, le dessus de son capuchon devra dépasser le plus haut point du toit de d'au moins 61 cm (2 pi).
- La longueur de la cheminée dépassant le toit doit être d'un minimum de 91 cm (3 pi).

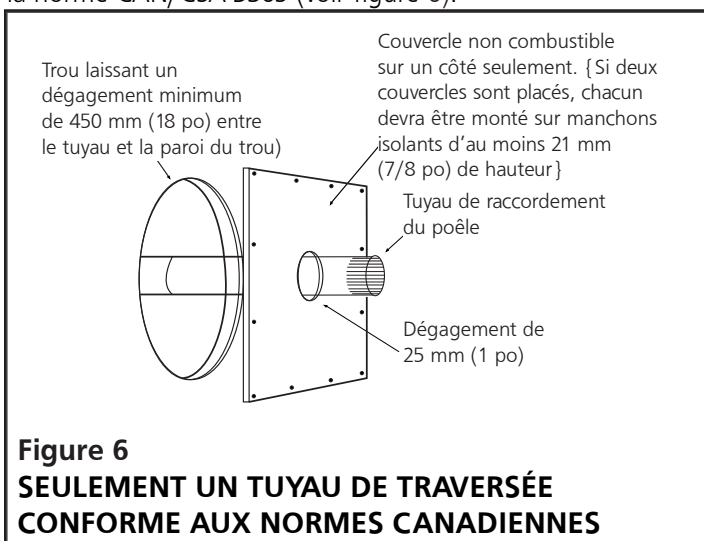
Les cheminées horizontales devront répondre aux exigences minimales suivantes :

- Être à une hauteur d'au moins 30 cm (12 po) au dessus du sol ou autres obstructions (patio, balcon, véranda ou bosquet de végétation).

TRAVERSÉE DE MUR

Lorsque le passage à travers un mur ou une partition de matériau inflammable est requis, le montage devra se conformer aux directives du fabricant.

REMARQUE : Au Canada, l'installation devra être conforme à la norme CAN/CSA-B365 (voir figure 6).



EXIGENCES SUPPLÉMENTAIRES POUR MAISONS MOBILES

⚠ AVERTISSEMENT : NE PAS LOCALISER DANS LES CHAMBRES À COUCHER.

PIÈCES ET MATÉRIAUX REQUIS (NON FOURNIS)

- Une cheminée de diamètre de 80 mm (3 po) conforme à la norme UL-103 (Standard for Factory-Built Chimneys for Residential Type and Building Heating Appliances).
- Gaine aérée de plafond adéquate pour utilisation dans les maisons mobiles.
- Gaine aérée de toit adéquate pour utilisation dans les maisons mobiles.

TECHNIQUES DE TRAVERSÉE DE MUR APPROUVÉES NFPA 211 (É-U SEULEMENT)

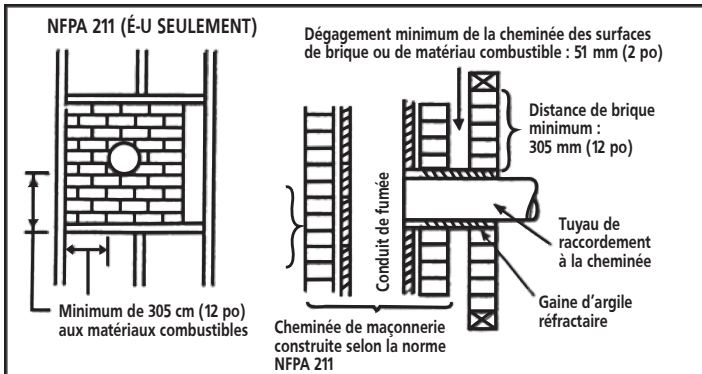


Figure 7 (É-U SEULEMENT)

Maçonnerie de brique : Maçonnerie de briques de 89 mm (3,5 po) d'épaisseur compris dans un mur de matériau combustible avec une séparation de brique d'un minimum de 305 mm (12 po) de la gaine d'argile aux matériaux combustibles. La gaine d'argile réfractaire devra couvrir l'étendue entre la surface extérieure du mur de brique jusqu'à atteindre la surface intérieure du conduit de cheminée, sans y pénétrer, et devra être bien cimentée en place.

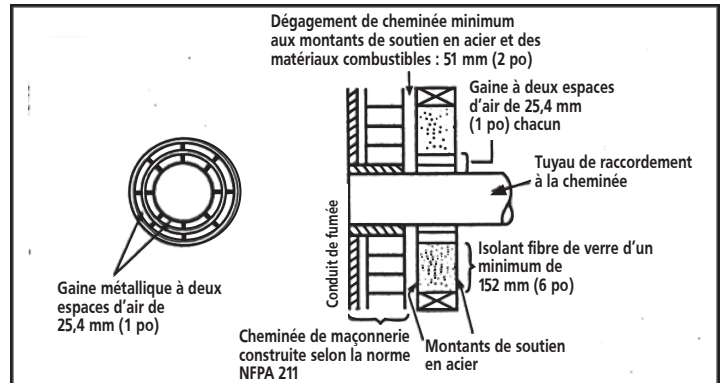


Figure 9 (É-U SEULEMENT)

Gaine à espaces d'air : Tuyau de raccordement à la cheminée d'épaisseur minimale de calibre n° 24 avec gaine métallique de calibre minimal n° 24 à deux espaces d'air de 25,4 mm (1 po) isolée des matériaux combustibles par au moins 152 mm (6 po) de fibre de verre. L'ouverture devra être recouverte et la gaine supportée par des montants d'acier de calibre minimum n° 24.

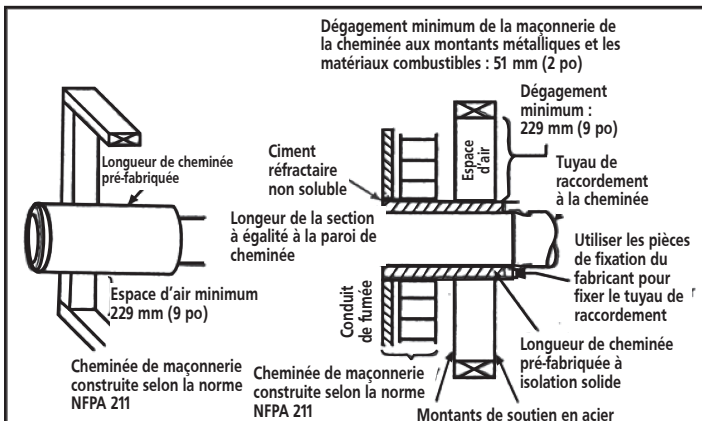


Figure 8 (É-U SEULEMENT)

Manchon isolé : Longueur de cheminée pré-fabriquée avec isolant solide de diamètre interne identique au raccord de sortie du poêle et 25,4 mm (1 po) ou plus d'isolant montée avec un minimum de 229 mm (9 po) d'espace d'air entre la paroi extérieure de celle-ci et des matériaux combustibles.

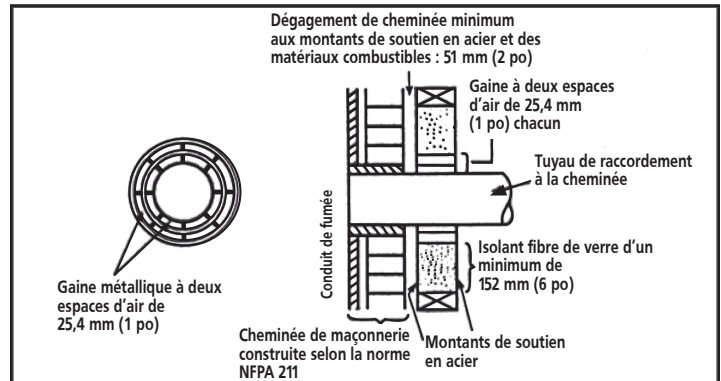


Figure 10 (É-U SEULEMENT)

Section de cheminée comme traversée : Longueur de cheminée pré-fabriquée à isolation solide d'au moins 25,4 mm (1 po) d'épaisseur ayant un diamètre intérieur 51 mm (2 po) plus grand que le tuyau de raccordement de tôle de calibre minimum n° 24 et dont tout matériau combustible se trouve à au moins 51 mm (2 po) de la paroi extérieure de la section de cheminée. La longueur minimale de la section de cheminée devra être de 305 mm (12 po) supportée par des montants métalliques à une hauteur laissant 25,4 mm (1 po) de dégagement autour du tuyau de raccordement. L'ouverture devra être recouverte et la section de cheminée supportée et fixée à deux montants d'acier de calibre minimum n° 24. La quincaillerie de fixation de la section de cheminée ne doit pas perforer sa paroi interne.

- Parafoudre adéquat pour utilisation dans les maisons mobiles.
- Solin de toit adéquat pour utilisation sur les maisons mobiles.

EXIGENCES D'INSTALLATION SUPPLÉMENTAIRES

- La cheminée devra être directement attachée à l'appareil de chauffage et devra dépasser le toit traversé d'au moins 0,9 m (3 pi).
- Le dessus de la cheminée devra dépasser d'au moins 0,6 m (2 pi) tout objet élevé dans un rayon de 3 m (10 pi) de la cheminée.
- Les sections d'extrémité de la cheminée devront pouvoir être démontées jusqu'à une hauteur de 4,1 m (13,5 pi) au-dessus du sol sans nécessiter d'équipement particulier.
- Le montage de la cheminée devra être sécurisé par une fixation mécanique au support du toit et du plafond.
- Exigences de gardes protectrices de cheminée :
 - Lorsque la cheminée sort de la maison mobile à un endroit autre qu'à travers le toit à une hauteur de moins de 2,1 m (7 pi) au-dessus du sol, une garde protectrice entourant la cheminée devra être installée sur toute la longueur de la cheminée en-dessous de 2,1 m (7,pi).
 - La garde protectrice ne devra pas comporter d'ouverture pouvant laisser pénétrer tout objet de diamètre de 19 mm (3/4 po) ou plus.
 - La garde protectrice ne devra pas comporter d'ouverture pouvant laisser pénétrer tout objet de diamètre de 16 mm (1/2 po) ou moins à plus de 102 mm (4 po) à l'intérieur.
- Le poêle doit être monté sur un plancher à niveau pouvant supporter son poids.
- Le poêle devra être boulonné à la surface au niveau de façon permanente pour ne pas qu'il puisse être déplacé, être basculé ou placé de façon compromettant une aération adéquate.
- Une canalisation permanente d'admission d'air frais pour entretenir la combustion devra être installée en répondant aux exigences suivantes :
 - La canalisation devra être totalement métallique sans comporter d'autre matériau tel le plastique.
 - Son extrémité devra posséder un grillage prévenant la vermine de s'y infiltrer.
 - La bouche d'entrée devra être libre en tout temps de feuilles, neige, glace ou autre débris pouvant restreindre l'alimentation d'air pour un fonctionnement adéquat de l'appareil.

- Les jonctions de tous les tuyaux de raccordement des deux systèmes d'aération (l'entrée et l'évacuation d'air) devront être scellées à l'aide de silicone résistant aux températures élevées.
- La cheminée devra être conforme à tous les codes applicables et exigences des autorités ayant juridiction.
- Si la maison mobile doit être déplacée, la cheminée devra être déposée et reposée selon les codes locaux à sa destination.

Le système du conduit de fumée est basé sur une pression négative dans la chambre à combustion et une légère surpression à la sortie des gaz. Il sera donc important que le raccordement de la tuyauterie soit bien ajusté et scellé.

⚠ ATTENTION : L'INTÉGRITÉ STRUCTURELLE DU PLANCHER, DES MURS, DU PLAFOND ET DU TOIT DEVRA ÊTRE MAINTENUE.

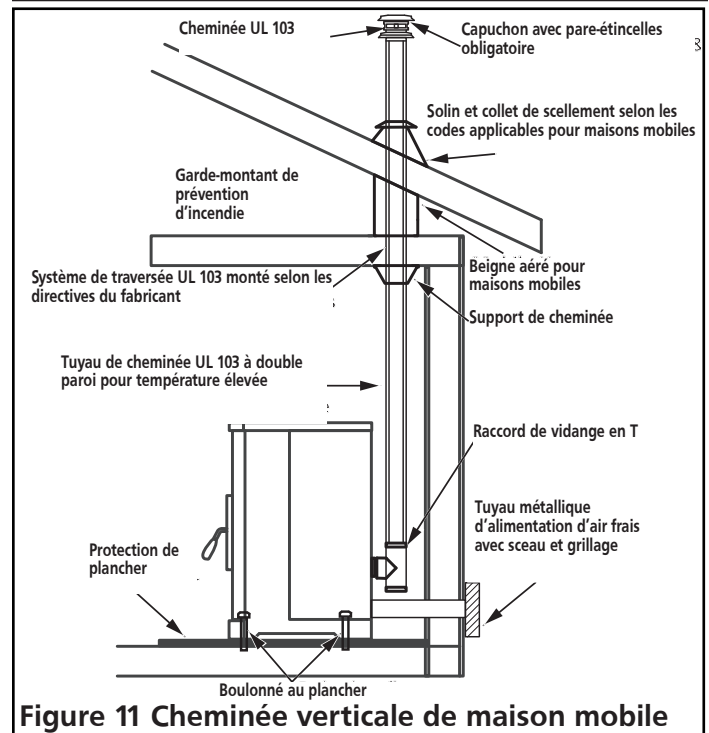


Figure 11 Cheminée verticale de maison mobile

INSTRUCTIONS ET SCHÉMA DE CHEMINÉE DE MAÇONNERIE AVEC CONDUIT DE FUMÉE

Ce poêle est conçu pour une évacuation par une cheminée de maçonnerie conforme au code du bâtiment et code des incendies locaux ainsi qu'aux dernières éditions des normes NFPA 211 aux États-Unis ou CSA-B365 au Canada.

1. Si la tuyauterie de raccordement du poêle à la cheminée de maçonnerie est faite à travers un mur de matériau combustible, consultez un maçon qualifié ou un dépositaire de cheminée pour des conseils. Pour garantir la sécurité de l'installation, celle-ci devrait seulement être faite par un

installateur qualifié. L'installation devra être faite en conformité aux règlements établis et aux codes du bâtiment et des incendies locaux.

2. Le tuyau de raccordement à la cheminée ne devra pas causer obstruction à l'intérieur du conduit de fumée comme montré à la figure 12 ci-dessous.

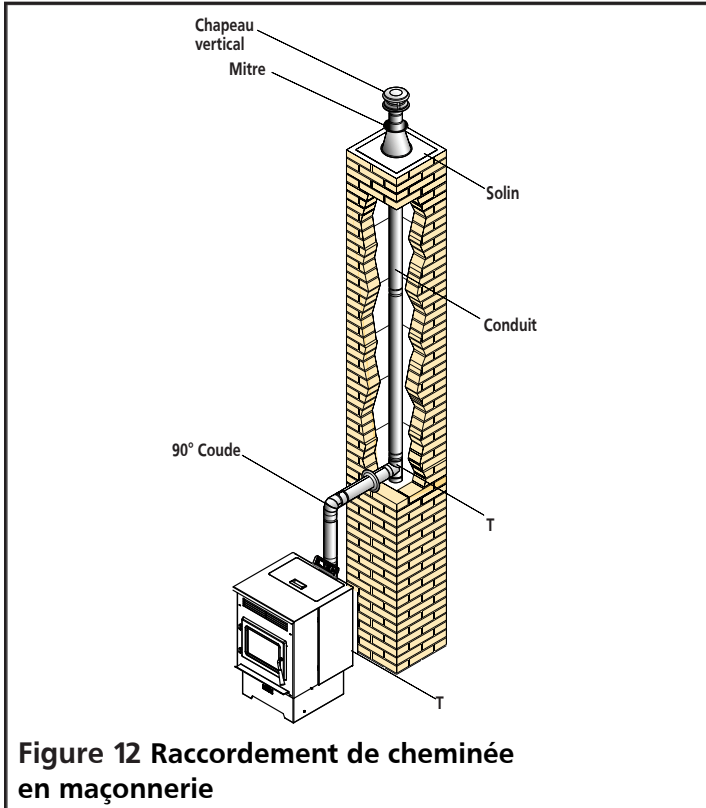


Figure 12 Raccordement de cheminée en maçonnerie

3. Toute ouverture à la base de la cheminée devra être fermée de façon étanche.

INSTRUCTIONS ET SCHÉMA DE CHEMINÉE PRÉFABRIQUÉE

⚠ AVERTISSEMENT : NE PAS SE SERVIR D'UN TUYAU DE POÊLE À PAROI UNIQUE COMME CHEMINÉE.

Ce poêle est conçu pour être utilisé soit avec une cheminée pré-fabriquée possédant un enregistrement UL 103HT (aux États-Unis) ou ULC-S629 (au Canada) ou avec une cheminée de maçonnerie avec conduit de fumée approuvée. Les cheminées pré-fabriquées ne sont pas toutes enregistrées UL103 HT/ULC-S629. Les centres de rénovation domiciliaires, les quincailleries et les magasins de fournitures CVCA ainsi que les sites Web de fabricants de cheminées pourront vous fournir des tuyaux de poêle isolés répondant à ces normes.

Cet enregistrement indique que ces produits sont conçus pour une température élevée jusqu'à 1149° C (2100° F).

N'assembler que des sections provenant du même fabricant. Ne pas utiliser des sections de différentes marques dans un même système d'aération.

Les illustrations ci-dessous montrent différentes méthodes et exigences d'utilisation de cheminée pré-fabriquée et des tuyaux de raccordement au poêle.

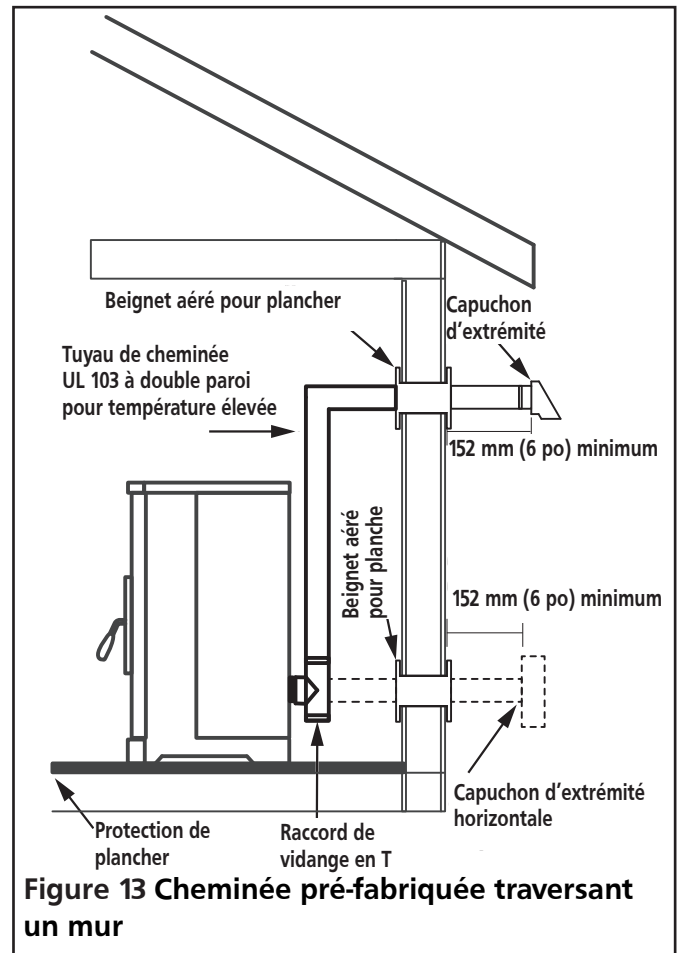


Figure 13 Cheminée pré-fabriquée traversant un mur

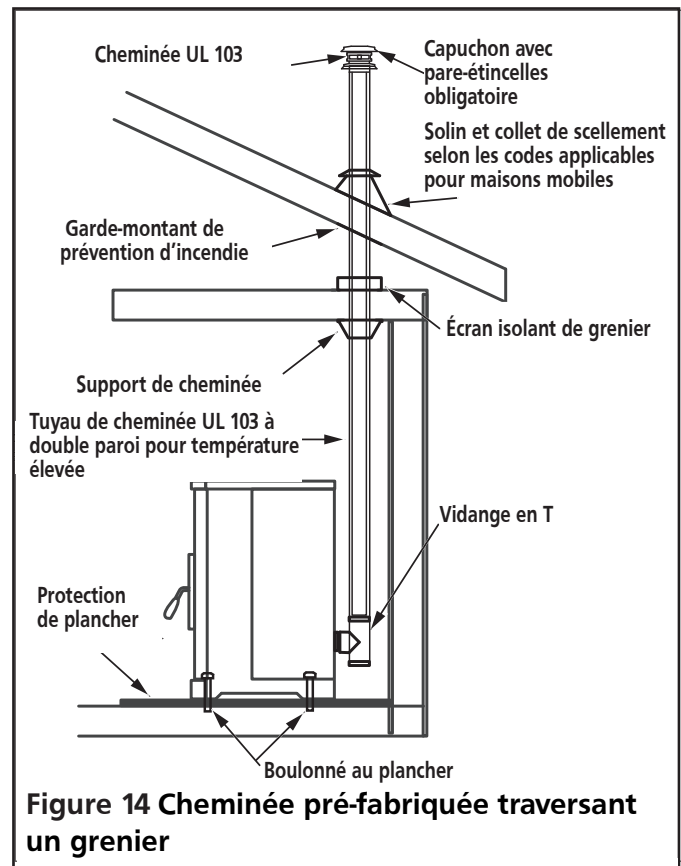
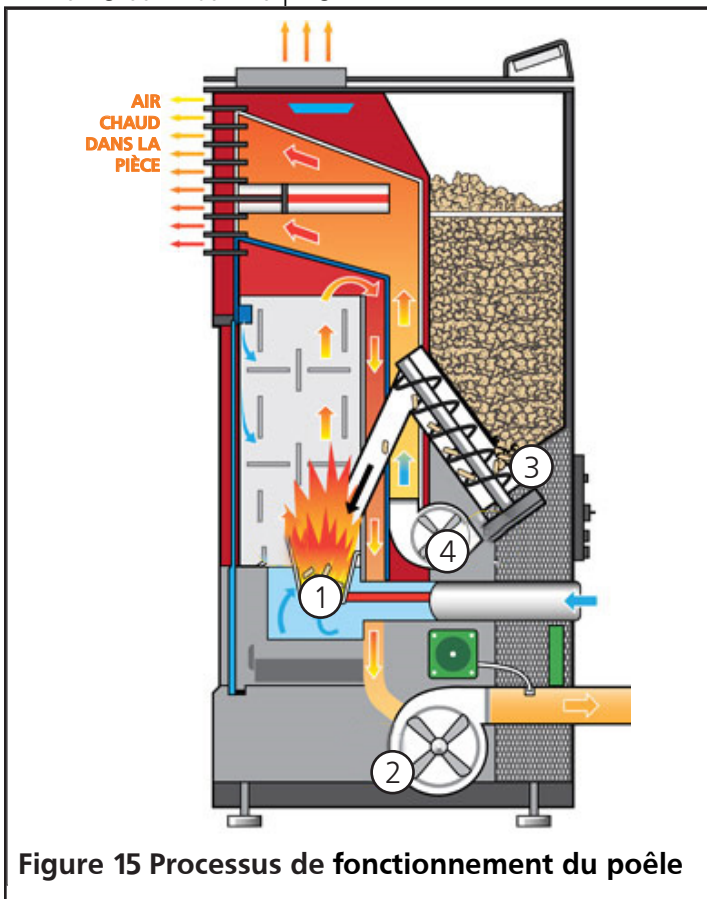


Figure 14 Cheminée pré-fabriquée traversant un grenier

FONCTIONNEMENT

THÉORIE DE FONCTIONNEMENT

1. La combustion se produit dans le pot du poêle qui est alimenté en air par des trous en périphérie et en-dessous de celui-ci. Veuillez noter que de l'air est soufflé par le dessus de la chambre de combustion, prévenant l'accumulation de cendre et de débris sur la porte.
2. Le ventilateur d'échappement aspire les produits consommés volatils et les expulse par la tuyauterie de sortie installée par l'utilisateur.
3. La tarière transfère les grenailles de la trémie au pot de combustion pour alimenter le feu.
4. Un ventilateur de l'appareil à convection fait circuler l'air sur les parois externes du pot à combustion propageant l'air chauffé dans la pièce.



COMBUSTIBLE APPROUVÉ :

Ne pas utiliser de grenailles de qualité inférieure à la première qualité PFI. Les grenailles de bois franc naturelles à 100 % (non traitées, sans agent agglomérant et d'un maximum de 5 % d'écorce) sont le seul combustible approuvé pour utilisation avec ce poêle. Pour un rendement maximum, voir les spécifications ci-dessous :

- Valeur calorifique de 5,3 kWh/kg
- Densité de 700 kg/m³
- Les grenailles devraient être à faible production de cendre (moins de 1 %)
- Les grenailles devraient être de moins de 30 mm de long et de diamètre entre 5 et 6,5 mm.

- Ne pas utiliser les sédiments et débris au fond des contenants de grenailles.
- Entreposer les grenailles dans des sacs à deux ou trois couches de papier (comme ceux des sacs de ciment) ou faits de produits synthétiques biologiquement dégradables et neutres au point de vue environnemental.

L'utilisation de grenailles de bois non conformes à ces spécifications pourrait résulter en des problèmes d'allumage, une plus grande production de crésote ou l'accumulation de cendres volatiles, de combustion incomplète, une faible production de chaleur et le noircissement de la porte vitrée.

⚠ ATTENTION : NE PAS SE SERVIR DE PRODUITS CHIMIQUES OU DE LIQUIDES POUR DÉMARRER LA COMBUSTION.

⚠ ATTENTION : NE PAS INSÉRER DE DÉCHETS OU DE PRODUITS INFLAMMABLES TEL L'ESSENCE, LE NAPHTA OU DE L'HUILE À MOTEUR DANS LE POT DE COMBUSTION.

⚠ ATTENTION : NE JAMAIS TENTER D'UTILISER UN DES PRODUITS ÉNUMÉRÉS CI-DESSOUS COMME COMBUSTIBLE :

- Produits du papier, carton ou panneau de particules;
- Déchets;
- Carcasses ou fumier d'animaux;
- Résidus de tonte de gazon ou déchets de cultures;
- Produits du pétrole usés;
- Charbon;
- Débris de construction ou de démolition;
- Traverses de chemin de fer ou bois traité sous pression;
- Matériaux comprenant
 - amiante
 - plastic
 - caoutchouc (pneus compris)
- Produits du pétrole tel
 - peintures
 - solvants à peinture
 - produits d'asphalte

BRÛLER CES MATÉRIAUX POURRAIT CRÉER DES ÉMANATIONS TOXIQUES OU RENDRE LE POÊLE INUTILISABLE ET DÉGAGER DE LA FUMÉE

Ne pas remiser les grenailles de bois ou d'autres produits d'allumage sur le protecteur de plancher, sous le tuyau de raccordement à la cheminée ou n'importe où à une distance inférieure aux dégagements minimum des surfaces combustibles indiqués à la page 5.

Les grenailles de bois devraient être entreposées dans un endroit sec et bien aéré.

⚠ MISE EN GARDE : NE PAS stocker les granulés non utilisés dans le poêle pour une utilisation ultérieure, car ils pourraient accumuler de l'humidité. L'utilisation de granulés humides ou mouillés peut entraîner des difficultés d'allumage, une combustion incomplète et un risque d'incendie dans la trémie.

PRÉCAUTIONS POUR LE FONCTIONNEMENT

⚠ AVERTISSEMENT : BRÛLANT DURANT LE FONCTIONNEMENT. NE PAS TOUCHER LE POÊLE. GARDER LES ENFANTS, LES VÊTEMENTS ET L'AMEUBLEMENT ÉLOIGNÉS. LE CONTACT POURRAIT CAUSER DES BRÛLURES.

⚠ ATTENTION : AVANT D'UTILISER LE POÊLE S'ASSURER QUE LE POT DE COMBUSTION ET LE CABARET SOUS-JACENT SONT PROPRES ET BIEN POSITIONNÉS.

⚠ AVERTISSEMENT : NE JAMAIS UTILISER DE LIQUIDE D'ALLUMAGE DE CHARBON, DE KÉROSÈNE, D'HUILE À LAMPE OU D'ESSENCE POUR ALLUMER OU RÉ-ACTIVER LE FEU DANS CETTE UNITÉ. GARDER TOUTES CES SUBSTANCES BIEN À L'ÉCART DU POÊLE LORS DE SON FONCTIONNEMENT.

POLYMÉRISATION DE LA PEINTURE

Pour permettre à la peinture de se lier au poêle de façon durable, faites-le chauffer au réglage haut (P1) durant 60 minutes. Pour évacuer les émanations de fumée ou odeurs créées par ce processus de cure, ouvrez portes et fenêtres opposées de la pièce.

PROCÉDURE DE FONCTIONNEMENT : ALLUMAGE DU POÊLE

REMARQUE : Si l'afficheur indique que le cycle d'extinction est en cours (« Switching Off »), ce cycle ne pourra être annulé. En cas de tentative, un message indiquera que le cycle ne peut être interrompu. Le poêle pourra seulement être rallumé après que le cycle d'extinction sera terminé après que l'échangeur de chaleur aura refroidi.

REMARQUE : NE PAS UTILISER DE GRILLE, FER OU TOUT AUTRE DISPOSITIF POUR PLACER LES GRENAILLES DE BOIS DANS LE POT DE COMBUSTION. SEUL LE POT LUI-MÊME, PARTICULIER À VOTRE MODÈLE DE POÊLE, DOIT ÊTRE UTILISÉ.

1. Branchez le cordon d'alimentation dans la prise située à l'arrière du poêle et appuyez sur l'interrupteur à bascule rouge MARCHE/ARRÊT situé au-dessus sur MARCHE. Voir Figure 16.

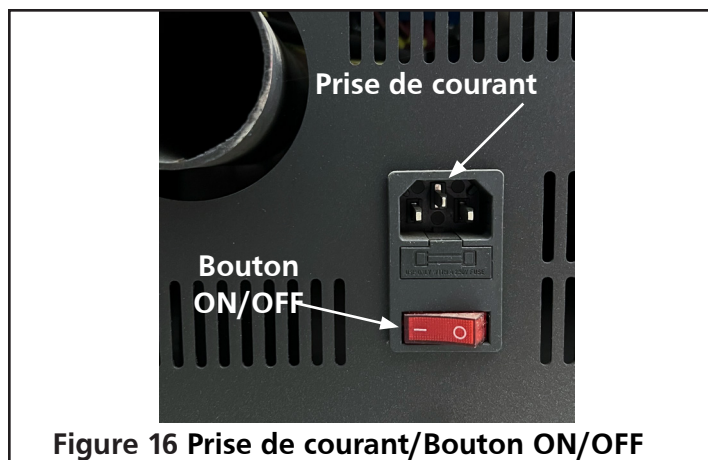



Figure 16 Prise de courant/Bouton ON/OFF

REMARQUE: POUR EMPÊCHER LE POÊLE DE FONCTIONNER, ÉTEINDRE L'INTERRUPTEUR D'ALIMENTATION ROUGE EN BAS, À L'ARRIÈRE DU POÊLE.

2. S'assurer que les joints d'étanchéité de la porte et du tiroir de cendre sont en bon état. Pour la première opération, ajouter une poignée de grenailles directement dans la chambre de combustion. Fermer le tiroir de cendre et les portes hermétiquement et s'assurer que les panneaux latéraux ont bien été installés.
3. Ouvrez la trémie. Assurez-vous qu'elle est suffisamment remplie. Refermez la trémie.
4. Appuyez sur le bouton d'alimentation  durant 3 secondes. Le poêle procédera automatiquement à effectuer ce qui suit :
 - Cycle de nettoyage : Le pot de combustion est nettoyé des cendres, poussières et résidus accumulés.
 - Cycle d'alimentation : Les grenailles passeront de la trémie au pot de combustion par l'entremise de la tarière. Selon le modèle de poêle, ceci pourra prendre de 5 à 15 minutes.
 - Cycle d'allumage : L'allumeur à surface chaude électrique sera tout le cycle d'allumage et pendant quelques minutes après que le poêle se sera stabilisé et pour entamer la combustion des grenailles dans le pot. L'allumeur demeurera activé jusqu'à ce que la température de l'air/fumée d'échappement atteigne le seuil de température de fonctionnement autonome.
 - Cycle de stabilisation : Le système ajustera les fonctions pour procurer la température désirée. La stabilisation se poursuivra jusqu'à ce que le poêle lise la température souhaitée par le thermostat.
5. Le poêle est alors allumé.

PROCÉDURE DE FONCTIONNEMENT : EXTINCTION DU POÊLE

⚠ ATTENTION : APRÈS LE CYCLE DE REFROIDISSEMENT, LE POÊLE COMMENCERA AUTOMATIQUÉMENT UN NOUVEAU CYCLE DE FONCTIONNEMENT.

REMARQUE : LE POÊLE PEUT ÊTRE ÉTEINT DURANT TOUS LES CYCLES INDIQUÉS À L’AFFICHEUR EN ACTIONNANT ET MAINTENANT LE BOUTON D’ALIMENTATION DURANT TROIS SECONDES. UNE FOIS QUE L’AFFICHEUR INDIQUE QUE LE POÊLE EST EN MODE DE STABILISATION, ACTIONNEZ LE BOUTON D’ALIMENTATION UNE AUTRE FOIS. LE POÊLE SE METTRA EN CYCLE DE REFROIDISSEMENT (AFFICHÉ À L’ÉCRAN).

- Appuyez sur le bouton d’alimentation durant 3 secondes. Le poêle procédera automatiquement à effectuer ce qui suit :
 - Arrêt du chauffage : Les grenailles se trouvant dans la chambre de combustion continueront à se consommer et produire flamme et chaleur. Elles devraient être toutes consommées après 5 à 8 minutes. L’échangeur de chaleur pourra alors commencer à refroidir.
 - Goodbye : Le dernier message présenté à l’afficheur indiquant que le poêle s’est refroidi.
- Le poêle est alors éteint.

FONCTIONNEMENT AVEC UNE GÉNÉRATRICE ÉLECTRIQUE

Ce poêle est conçu pour avoir l’option d’être alimenté par une génératrice électrique, mais les génératrices ne sont pas toutes compatibles pour fonctionner avec cet appareil. Consultez les spécifications de votre génératrice concernant son régulateur de tension et assurez-vous qu’elles correspondent aux exigences de votre poêle telles qu’indiquées à la page 3.

COMMENT MINIMISER LA FORMATION DE CRÉOSOTE

Pour les explications concernant la formation et le nettoyage de créosote, voir ENTRETIEN on page 17. Pour ralentir l’accumulation de créosote dans votre cheminée, n’utilisez que les grenailles recommandées à la page 12.

DISPOSITION DES CENDRES

⚠ ATTENTION : DES BRAISES POURRAIENT SE TROUVER SOUS LA CENDRE. POUR LA MANIPULATION DES CENDRES UTILISEZ TOUJOURS DES OUTILS POUR CHARBONS ARDENTS, JAMAIS AVEC VOS MAINS! PORTER DES VÊTEMENTS IGNIFUGES ET UNE PROTECTION OCULAIRE.











Les cendres devraient être placées dans un contenant métallique avec un couvercle hermétique.

- D’autres rebuts ne doivent pas être mis dans le contenant de cendres.
- Le contenant de cendres fermé devrait être placé sur un plancher non combustible ou sur le sol, éloigné de tout matériau combustible jusqu’à ce qu’il soit refroidi.
- Les résidus minéraux du bois (environ 1 à 2 %) demeurent dans les cendres et sont un excellent fertilisant naturel pour tous les plants de jardin. Avant de disposer des cendres

en les enfouissant dans le sol ou en les dispersant d’autre façon, elles devraient être gardées dans le contenant fermé jusqu’à ce que toutes les braises aient refroidi et elles devraient également être éteintes avec de l’eau.

Fonctionnalité des boutons de la télécommande :

Les boutons de la télécommande affecteront le poêle de la même façon que les boutons sur l’appareil tel que défini en v :

Bouton de télécommande	Équivalent sur l’appareil
	
	
	
	
	

Remarque : Aucun témoin ou afficheur ne se trouve sur la télécommande, confirmant l’activation de la commande. Pour vérifier l’état de fonctionnement du poêle, installez l’application Smart Stove sur votre téléphone intelligent.

CONNEXION WI-FI « SMART STOVE »

L’état de votre poêle peut être surveillé, contrôlé et programmé en utilisant l’application Smart Stove. (par NHHATC) qui est disponible à votre magasin d’applications pour les plateformes iOS ou Android.

Étape 1. Téléchargez l’application Smart Stove de NHHATC

Étape 2. Ouvrez l’application Smart Stove. L’application s’ouvre, par défaut, à l’écran « S’inscrire ». Cliquez sur le bouton « S’inscrire ».

Étape 3. Entrez votre adresse courriel dans le champ « Courriel » et cliquez sur le bouton « Obtenir le code de vérification ».

Étape 4. Entrez le code de vérification qui vous a été envoyé par courriel dans le champ « Saisir le code de vérification ».

Étape 5. vous pouvez maintenant définir un mot de passe unique pour votre appareil dans le champ « Définir le mot de passe » et cliquer sur le bouton « Terminé ».

Étape 6. Si vous n’avez pas d’autres dispositifs Wi-Fi déjà actifs sur cette application, un gros bouton «Ajouter un appareil» se trouvera au centre de l’écran sur lequel vous pouvez taper. Autrement, sélectionnez le signe + du coin supérieur droit de l’écran.

Étape 7. Assurez-vous que le poêle se connecte au réseau Wi-Fi accédé par votre dispositif.

Étape 8. Assurez-vous que le poêle est branché dans une prise électrique et qu'il peut être mis en marche.

Étape 9. Suivez les directives à l'écran en appuyant et maintenant le bouton de connexion à l'arrière de l'afficheur durant 3 secondes comme montré ci-dessous. Lorsque la séquence de clignotement de recherche du témoin s'active, appuyez sur le bouton de confirmation au bas de l'écran.

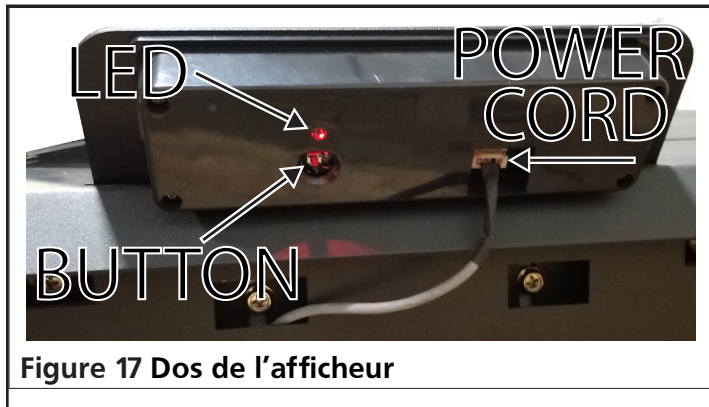


Figure 17 Dos de l'afficheur

Étape 10. Saisissez le mot de passe du réseau wi-fi de sorte que le poêle puisse se connecter au réseau.

Étape 11. Le poêle commencera la procédure d'appariement avec le dispositif utilisant l'application par l'entremise du réseau wi-fi. Ce processus pourrait prendre quelques minutes.

Étape 12. Après que le dispositif et l'appareil seront appariés vous pourrez voir l'icône du poêle à grenailles sous l'onglet « Devices » au bas de l'écran.

Étape 13. Sur votre dispositif, naviguez à vos vos réglages de dispositifs wi-fi qui comprendront maintenant le poêle comme un des choix. Sélectionnez le poêle comme votre connexion wi-fi.

Étape 14. Ouvrez à nouveau l'application Smart Stove sur votre téléphone.

Étape 15. Vous pouvez maintenant sélectionner ce poêle à partir de la liste des dispositifs ajoutés pour programmer, commander et surveiller le fonctionnement du poêle.

COMMANDES WI-FI

Une fois connecté au poêle (voir l'étape 11 de Connexion Wi-Fi), vous pourrez ajuster et surveiller le fonctionnement du poêle à distance. Voir les explications ci-dessous :

- Nom du dispositif : Il est possible de changer le nom du poêle pour différencier l'appareil commandé en utilisant l'application « Smart Stove » (si vous avez plus d'un poêle).

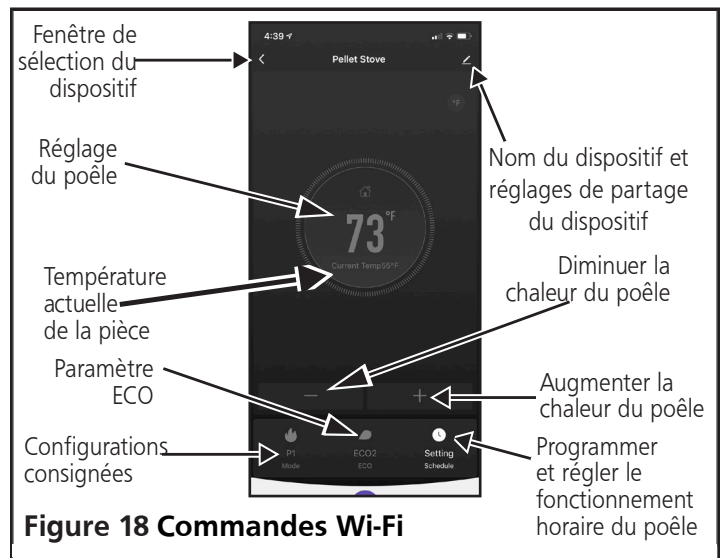
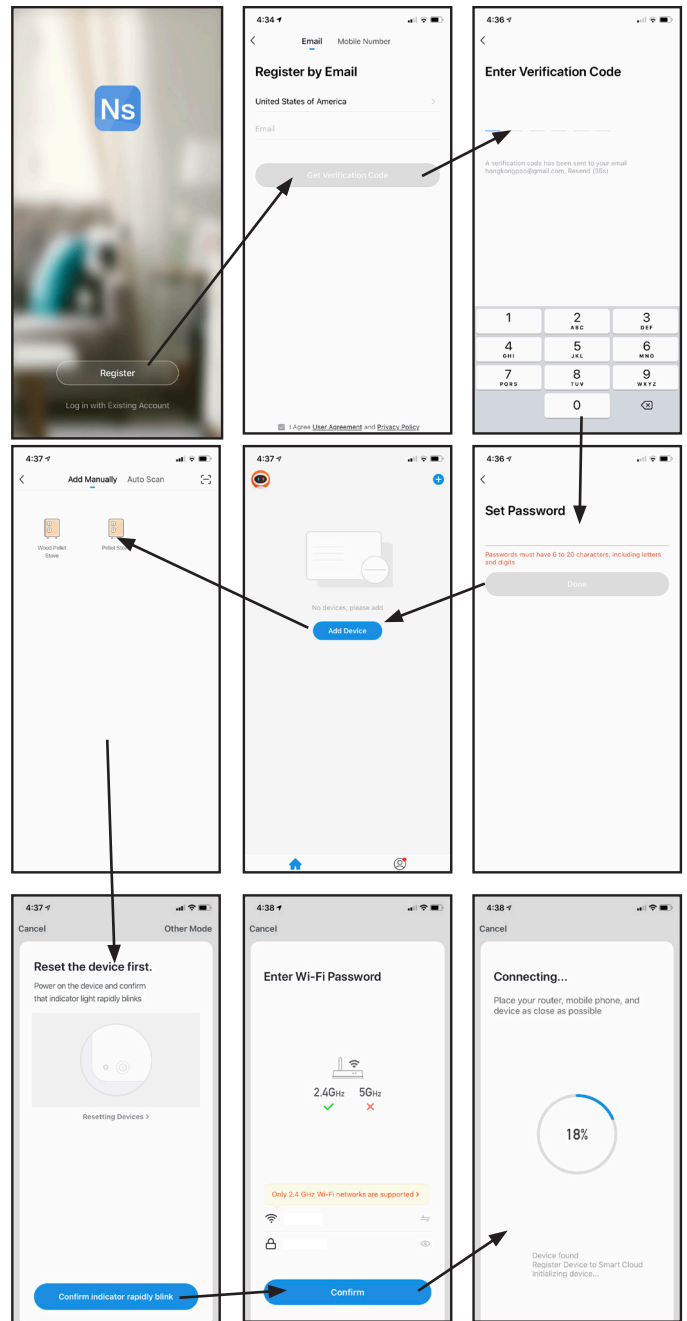


Figure 18 Commandes Wi-Fi

COMMANDES MULTI-FONCTIONS POUR C60W, C130W ET CBF66W

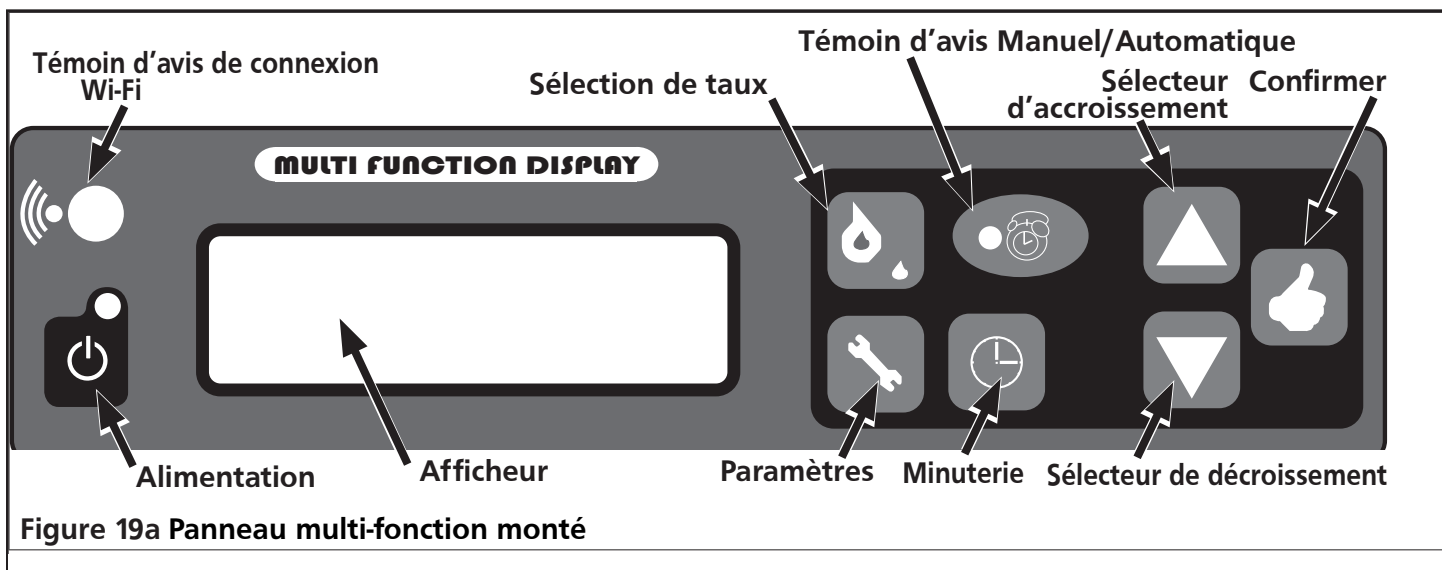


Figure 19a Panneau multi-fonction monté

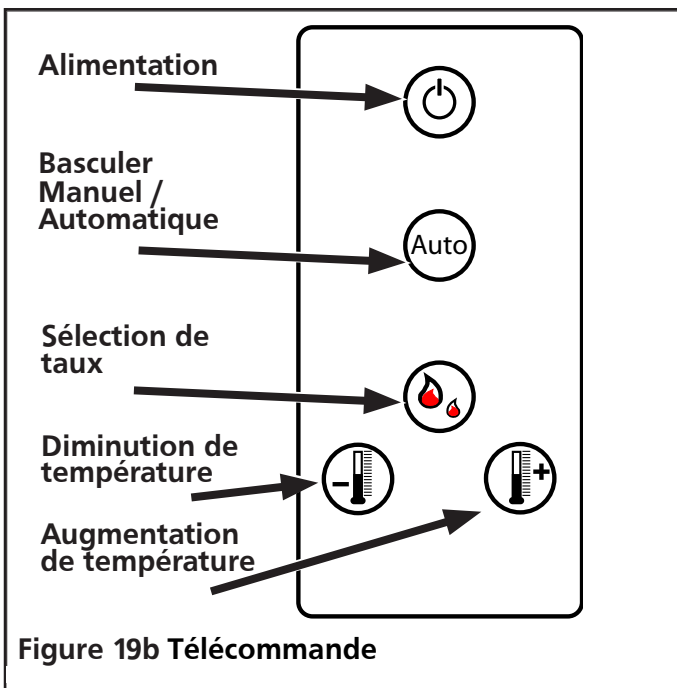










Figure 19b Télécommande

Fonctionnalité des boutons présents : Fonctionnement normal

	<ul style="list-style-type: none"> Le témoin s'allume lorsque le poêle est branché dans une prise électrique. Actionner le bouton d'alimentation pour allumer l'afficheur pour régler les paramètres. S'il n'y a pas d'interaction, l'afficheur s'éteindra après 10 secondes. Pour lancer l'allumage du poêle, actionner et maintenir le bouton d'alimentation durant 3 secondes. Pour lancer le cycle d'extinction, actionner et maintenir le bouton d'alimentation durant 3 secondes.
---	---

⚠ ATTENTION : Le fabricant a programmé les taux consignés pour garantir un fonctionnement convenable. Il est déconseillé de modifier ces consignes.

	<p>Actionner pour faire défiler les lectures de température (en Fahrenheit) (dans le coin supérieur droit de l'afficheur multi-fonction) :</p> <ul style="list-style-type: none"> ##(R) : Température de la pièce ##(S) : Température d'échappement ##(P) : Réglage du capteur de protection
	<p>Actionner pour augmenter la température à laquelle le poêle devra réchauffer la pièce. Cette valeur est affichée au coin supérieur droit de l'afficheur multi-fonction sous l'indicatif ##°F.</p>
	<p>Actionner pour diminuer la température à laquelle le poêle devra chauffer la pièce. Cette valeur est affichée au coin supérieur droit de l'afficheur multi-fonction sous l'indicatif ##°F.</p>
	<p>Actionner pour faire basculer entre la commande manuelle et la commande programmée. En mode de commande programmée, l'icône  s'allumera.</p>
	<p>L'actionnement du sélecteur de taux fera défiler les quatre consignes de chauffage configurées. La consigne actuellement réglée est affichée en haut au centre de l'afficheur multi-fonction sous l'indicatif P#.</p> <ul style="list-style-type: none"> P1 [réglage de chauffage maximum] P2 [réglage de chauffage intermédiaire] P3 [réglage de chauffage bas] P4 [réglage de chauffage minimum]
	<ul style="list-style-type: none"> Actionner et maintenir le bouton de paramétrage durant 2 secondes pour accéder au menu de configuration. Pour quitter en tout temps le menu de configuration, actionner le bouton de paramétrage.

- Partage du dispositif : il est possible de partager la connexion au poêle avec d'autres dispositifs par messagerie SMS ou par courriel.
- Eco Mode : Il existe deux modes ECO pouvant être sélectionnés qui économiseront les granulés de bois tout en maintenant la température désirée. L'actionnement du bouton ECO permettra de basculer entre ces modes ou de les ignorer.
 - ECO 1 : Le poêle s'éteint lorsque la température désirée est atteinte. Il se rallumera à une température de la pièce pré-réglée en usine.
 - ECO 2 : Lorsque la température désirée est atteinte, le poêle passe en chauffage minimum (pré-réglage P4). Il se remettra à un réglage plus élevé lorsque la température de la pièce aura descendu à la température pré-réglée en usine.
- Configurations consignées : Quatre configurations peuvent être sélectionnées qui contrôlent la vitesse du ventilateur de combustion et du ventilateur de circulation d'air dans la pièce. L'actionnement du bouton Configurations consignées permettra de défiler entre les différentes configurations consignées ou d'ignorer les pré-réglages.
 - P1 [réglage de chauffage maximum]
 - P2 [réglage de chauffage intermédiaire]
 - P3 [réglage de chauffage bas]
 - P4 [réglage de chauffage minimum]

OPÉRATION MANUELLE DU POÊLE

AJUSTER LA VIS À GRANULES

(TAUX DE DISTRIBUTION DES GRANULES)

1. Utilisez le bouton Rate Select pour passer d'un réglage à l'autre, P1, P2, P3, P4. Les taux de distribution sont les suivants :

P1 : Taux de distribution [Maximum] des granulés

P2 : Taux de distribution [Moyen] des granulés

P3 : Taux de distribution [Bas] des granulés

P4 : Taux de distribution [Minimum] des granulés

Remarque : Si nécessaire, appuyez et maintenez enfoncé le bouton « Temps » pendant 2 à 5 secondes pour faire tourner la tarière.

AJUSTER LES VENTILATEURS

1. Tenez enfoncé le bouton Settings pendant 2 secondes.
2. Appuyez sur le bouton Confirm pour passer d'un réglage de taux de distribution des granulés à l'autre, tour à tour.

3. Ajustez le réglage « S » pour le ventilateur d'aération et le réglage « F » pour le ventilateur de soufflage en employant les boutons de sélection vers le haut et le bas.
4. Utilisez le bouton Time pour choisir le mode « S » ou « F ».

Remarque : Plus le réglage est bas, plus le ventilateur est lent. Ne changez les réglages que quelques chiffres à la fois.
5. Appuyez sur le bouton Settings pour revenir à l'écran d'accueil.

POUR CHANGER L'HEURE (HORLOGE 24 HEURES)

1. Tenez enfoncé le bouton Settings pendant 2 secondes.
2. Appuyez sur le bouton Confirm pour vous rendre à Modify Clock.
3. Utilisez le bouton Time pour passer des heures aux minutes.
4. Utilisez les boutons de sélection vers le haut et le bas pour changer l'heure actuelle.
5. Appuyez sur le bouton Settings pour revenir à l'accueil.

POUR FAIRE LE RÉGLAGE MARCHE/ARRÊT AUTOMATIQUE

1. Tenez enfoncé le bouton Settings pendant 2 secondes.
2. Parcourez les réglages avec le bouton Confirm jusqu'à ce que les jours de la semaine soient visibles.
3. Utilisez le bouton Time pour changer la journée.
4. Utilisez les boutons de sélection vers le haut et le bas pour indiquer quand le poêle doit être en marche ou éteint.

Remarque: La longue case signifie EN MARCHE, la case courte signifie ARRÊTÉ.

Remarque: Chaque case représente une heure de la journée sur une période de 24 heures. La première case est donc 0 h (minuit) et la dernière est 23 h (11 h du soir).

5. Appuyez sur le bouton Settings pour revenir à l'accueil.

CHANGER LES MODES ECO

1. Tenez enfoncé le bouton Settings jusqu'à ce que le poêle fasse entendre une tonalité.
2. Appuyez sur le bouton Confirm (sans le tenir enfoncé) sept fois de suite pour vous rendre à l'écran « Eco Mode ».
3. Appuyez sur le bouton Time pour circuler entre les différents modes Eco choisis.

4. Appuyez sur le bouton Settings pour revenir à l'écran d'accueil.

ECO 1 MODE

ECO 1: Le poêle s'arrête une fois que la température désirée est atteinte. Le poêle se remet en marche une fois que la pièce refroidit à la température réglée en usine.

ECO 2 MODE

ECO 2: Le poêle passe au réglage de puissance minimum P4 lorsque la température désirée est atteinte. Le poêle passe à un réglage de puissance plus élevé une fois que la pièce refroidit à la température réglée en usine.

TOUCHE DE COMMANDE

	CONFIRMATION (« CONFIRM »)
	BOUTON DE SÉLECTION VERS LE HAUT
	BOUTON DE SÉLECTION VERS LE BAS
	HEURE (« TIME »)
	RÉGLAGES (« SETTINGS »)
	SÉLECTION DU TAUX (« RATE SELECT »)

ENTRETIEN

Pour un bon rendement de fonctionnement ce poêle à grenailles de bois nécessite un entretien périodique. Toute opération ne respectant pas les directives du présent Guide du propriétaire contrevient à la réglementation fédérale.

⚠ ATTENTION : ÉTEINDRE ET DÉBRANCHER LE POÊLE DE LA PRISE DE COURANT AVANT TOUT ENTRETIEN.

⚠ ATTENTION : LAISSER LE POÊLE SE REFROIDIR AVANT D'EFFECTUER TOUT ENTRETIEN.

⚠ ATTENTION : DURANT TOUT DÉMONTAGE OU REMONTAGE, PRENDRE GARDE DE NE PAS ÉCHAPPER QUOI QUE CE SOIT (VIS ETC.) DANS LA TRÉMIE. LES DÉBRIS PEUVENT BLOQUER LA TARIÈRE ET ENDOMMAGER LE POÊLE.

La fréquence à laquelle votre poêle nécessitera un nettoyage et un entretien dépendra de la qualité des grenailles utilisées. Leur haut taux d'humidité ou l'utilisation de fragments poussiéreux ou comprenant des cendres pourrait faire doubler le besoin d'entretien du poêle. Utilisez seulement les grenailles de bois approuvées.

À chaque jour, nettoyez le pot de combustion et le cabaret de récupération alors que le poêle est refroidi, qu'il est débranché et qu'il ne s'y trouve pas de braises chaudes. À l'aide d'un aspirateur, nettoyez le pot de combustion de ses cendres et débris et puis soulevez le pot pour nettoyer le cabaret sous-jacent. Il est important que les ouvertures d'aération du pot ne soient pas obstruées de cendres ou de débris.

Un calendrier de nettoyage général serait comme suit :

- Pot de combustion : Après 10 sacs de grenailles de bois, ou de façon quotidienne. Selon la première éventualité.
- Tiroir de cendre : Après 50 sacs de grenailles de bois
- Canalisations internes : Après 100 sacs de grenailles de bois
- Ventilateur : Après 100 sacs de grenailles de bois

IMPORTANT: Il faut aussi s'assurer de vous référer au supplément concernant l'horaire de nettoyage, à la fin de cette section.

NETTOYAGE : POT DE COMBUSTION ET CABARET

⚠ ATTENTION : SI LE POÊLE EST POUR SERVICE CONTINU, IL DEVRA ÊTRE ÉTEINT AUX INTERVALLES DE 24 HEURES POUR NETTOYER LE POT DE COMBUSTION ET LE CABARET. LAISSER TOUJOURS LE POÊLE REFROIDIR ET LES BRAISES S'ÉTEINDRE AVANT LE NETTOYAGE.

Assurez-vous de replacer le pot de combustion dans la bonne orientation de sorte que les grenailles puissent être alimentées et allumées sans problème.

NETTOYAGE : VITRE

⚠ AVERTISSEMENT : NE PAS NETTOYER LA VITRE LORSQUE CHAUDE.

Bien que la circulation d'air sur la porte vitrée réduit l'accumulation de cendre acide sur la vitre, son nettoyage sera quand-même requis périodiquement. Le nettoyage est nécessaire pour prévenir l'affaiblissement du verre, ce qui pourrait augmenter son risque de fendillement. Il n'est pas acceptable de faire fonctionner un poêle avec une vitre fendillée ou brisée.

Le meilleur moyen de nettoyer la porte vitrée est d'utiliser un linge humide enduit de cendres refroidies. Pour la saleté incrustée consultez votre quincailler ou un expert d'entretien de poêles pour des conseils de produits nettoyants.

⚠ AVERTISSEMENT : NE PAS NETTOYER LA VITRE AVEC UN PRODUIT ABRASIF OU TOUT AUTRE MOYEN QUI POURRAIT ÉGRATIGNER OU ENDOMMAGER LE VERRE.

NETTOYAGE : CANALISATIONS D'ENTRÉE ET DE SORTIE

Le canalisation d'entrée et de sortie devraient être nettoyées au moins une fois par année. La consommation de grenailles produisant un taux élevé de cendres pourrait nécessiter un nettoyage plus fréquent de canalisation.

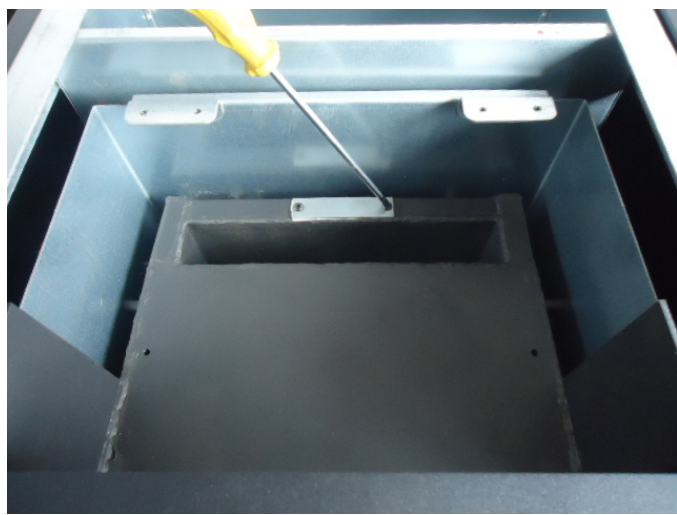


Figure 20 Canalisation de sortie

Un panneau d'accès se trouve de chaque côté du poêle qui peut être déposés en dévissant ses vis de fixation. Voir les figures 21, 24 et 25. Éteindre le poêle, le laisser se refroidir et le débrancher avant tout démontage et nettoyage.

Utiliser une brosse dans les ouvertures pour dégager toute accumulation de cendre et nettoyer à l'aide d'un aspirateur. Remettre les panneaux en place et les fixer solidement avec leurs vis à tête Allen.

Deux autres ouvertures des canalisations d'entrée et de sortie sont accessibles en déposant le tiroir de cendre. Desserrer les deux vis de 5/32 po à tête Allen montrées à la Figure 20. Faire pivoter les couvercles pour exposer l'ouverture. À l'aide d'une brosse, dégager toute accumulation de cendre. Utiliser une brosse dans les ouvertures pour dégager toute accumulation de cendre et nettoyer à l'aide d'un aspirateur. Replacer les couvercles devant les ouvertures et les fixer solidement avec leurs vis à tête Allen.

NETTOYAGE : VENTILATEUR DE CONVECTION

En vous tenant devant le poêle, vous trouverez le moteur du ventilateur faisant circuler l'air autour du pot et le dirigeant dans la pièce, sur le côté droit. Pour y accéder, ouvrir et déposer le panneau latéral. Nettoyez le ventilateur de convection au besoin alors que le poêle est refroidi, qu'il est débranché et qu'il ne s'y trouve pas de braises chaudes. Lors de l'opération de nettoyage, prenez garde de ne pas endommager les pales du ventilateur. A l'aide d'un aspirateur, nettoyer toute accumulation de poussière sur les pales du ventilateur et à l'intérieur de la canalisation.



C130W



C60W, CBF66W

Figure 21 Démontage du ventilateur de convection

NETTOYAGE : TUYAU DE SORTIE D'ÉCHAPPEMENT

Inspecter le système d'aération de sortie au moins une fois par année et déterminez si un nettoyage est requis. Des cendres, de la suie et de la crésote peuvent se produire durant le démarrage, l'extinction et le mauvais fonctionnement. Pour nettoyer le système d'aération, insérez une brosse de nettoyage de dimension appropriée dans le tuyau pour dégager et retirer toute cendre ou accumulation de débris. L'accumulation de débris et les cendres peuvent restreindre le débit de gaz qui affectera la performance du poêle, et ne pas retirer la crésote pourrait résulter en un dangereux feu de cheminée.

CENDRES VOLANTES - FORMATION ET BESOIN DE RETIRER

Les produits de combustion comprendront de petites particules de cendres volantes. Les cendres volantes s'accumuleront dans le système d'échappement et restreindront l'évacuation des gaz de sortie. La combustion incomplète qui se produit durant le démarrage, l'extinction ou lors de mauvais fonctionnement du poêle conduira à la formation de suie qui s'accumulera dans le système d'échappement des gaz. Le système d'aération de sortie devra être inspecté au moins une fois par année pour déterminer si un nettoyage est requis. Pour dégager les accumulations de la canalisation, utilisez une brosse de cheminée de taille appropriée.

CRÉOSOTE - FORMATION ET BESOIN DE RETIRER

Ne pas retirer la crésote pourrait résulter en un dangereux feu de cheminée.

Lorsque les grenailles de bois sont consommées à basse température elles produisent des émanations organiques qui, combinées à l'humidité dégagée produit de la crésote. Les émanations de crésote se condensent dans les gaz relativement frais de la cheminée devenant un combustible potentiel d'allumage et elles s'accumulent sur la paroi de

la cheminée. Si allumée, la créosote dégage une chaleur extrême. Le tuyau de raccordement à la cheminée devrait être inspecté au moins à tous les deux mois durant la saison d'utilisation pour déterminer si une accumulation de créosote s'est produite. Si l'accumulation atteint 3 mm (1/8 po) elle devra être retirée pour éliminer le danger de feu de cheminée. Pour dégager les accumulations du tuyau, utilisez une brosse de cheminée de taille appropriée.

Sachez que sous chauffage modéré en début et fin de saison une plus grande formation de créosote sera probable et un nettoyage hebdomadaire pourrait être requis alors qu'en chauffage plus élevé durant l'hiver un nettoyage mensuel pourrait suffire. Pour apprendre comment traiter un feu de cheminée, communiquez avec les autorités ou le service d'incendie de votre localité. En tant que préparation, ayez un plan de réaction précis pour éteindre les feux de cheminée.

REPLACEMENTS : VITRE

Tout bris de vitre ne devra être adressée que par le remplacement de la porte complète fournie par le fabricant. Voir pages 32 à through 34.

⚠ AVERTISSEMENT : L'UTILISATION DE MATÉRIAU SUBSTITUT POURRAIT BRISER LA VITRE ET CAUSER DES BLESSURES.

REPLACEMENTS : JOINTS D'ÉTANCHÉITÉ

Au fil du temps, les joints d'étanchéité autour de la vitre, de la porte et du tiroir de cendre pourraient perdre de leur rigidité. Ces joints sont essentiels pour sceller le système permettant un fonctionnement sécuritaire. Inspectez les joints régulièrement et s'ils deviennent usés, communiquez avec le fabricant pour connaître le numéro de pièce requis pour votre unité.

Pour remplacer le joint d'étanchéité :

1. S'assurer que toutes les grenailles sont éteintes et que le poêle est froid.
2. Retirer le joint usé et nettoyer le sillon d'insertion.
3. Appliquer un mince film de ciment à joint d'étanchéité résistant aux températures élevées à l'intérieur du sillon.
4. Presser l'extrémité du joint d'étanchéité de remplacement dans le sillon préparé à partir du point gauche le plus élevé.
5. Continuer à presser le joint dans le sillon en sens horaire tout autour de la porte pour revenir faire contact au point de départ.
6. Couper l'excédent et bien presser les extrémités ensemble dans le sillon.

Fermer, la porte, tiroir ou tiroir de cendre et laisser le ciment durcir durant 3 à 4 heures avant d'allumer le poêle.

REPLACEMENTS : ALLUMEUR À SURFACE CHAUDE

S'assurer que le poêle est refroidi. À l'arrière à l'intérieur du poêle, dévisser les vis de fixation de l'allumeur. Sortir l'allumeur et le remplacer par le nouveau. Voir les figures 22 et 24.

REMARQUE: SELON LE MODÈLE DE POÊLE, IL PEUT ÊTRE NÉCESSAIRE D'ENLEVER LE MOTEUR DE LA VIS SANS FIN POUR FAIRE GLISSER L'ALLUMEUR HORS DE SON LOGEMENT.

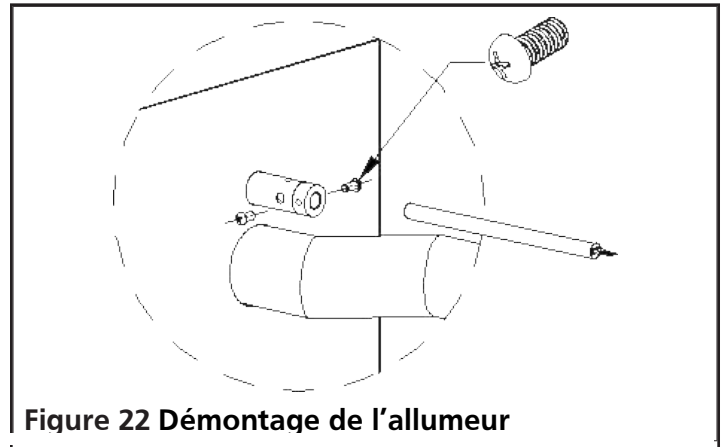


Figure 22 Démontage de l'allumeur

REPLACEMENTS : SYSTÈME DE TARIÈRE

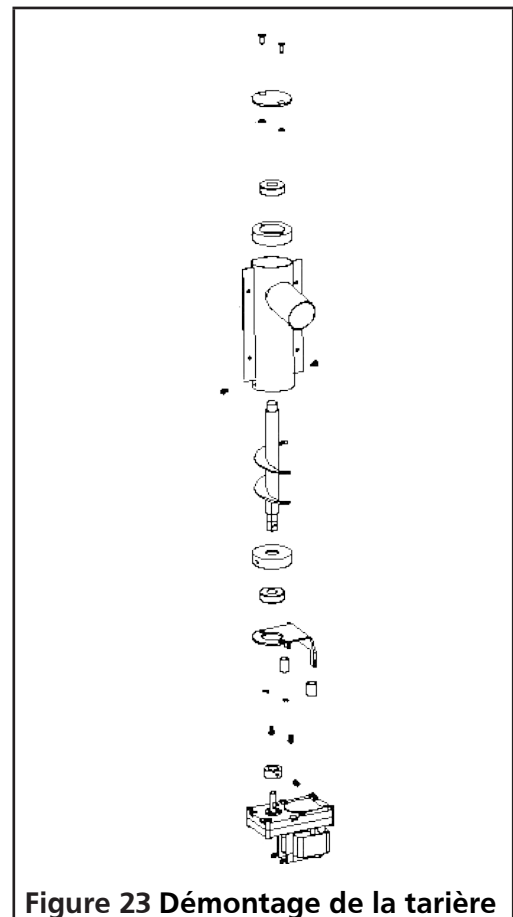


Figure 23 Démontage de la tarière

S'assurer que le poêle est refroidi. À partir de l'arrière à l'intérieur du poêle, la tarière peut être démontée en pièces détachées selon la séquence des pièces montrée à la Figure 23.

RETRAIT DES PANNEAUX ARRIÈRE ET LATÉRAUX

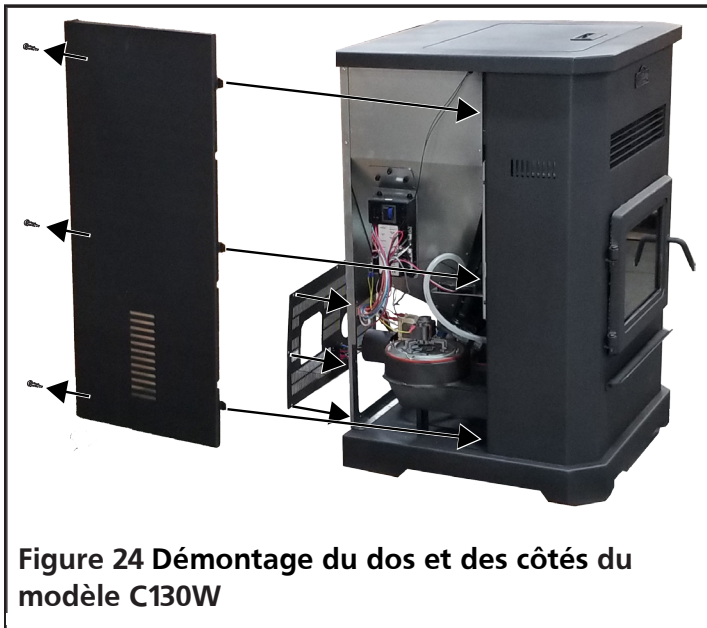


Figure 24 Démontage du dos et des côtés du modèle C130W

- Pour retirer les panneaux latéraux du modèle C130W, retirer les vis de fixation à l'arrière de l'unité et faire glisser le panneau vers l'arrière.
- Pour retirer la plaque arrière du modèle C130W, retirer les huit vis de fixation à l'arrière de l'unité.
- Pour retirer les panneaux latéraux du modèle C60W, retirer les vis de fixation à l'arrière de l'unité et retirer directement le panneau.
- Pour ouvrir le côté du modèle CBF66W, faire simplement pivoter le panneau latéral hors de ses aimants de retenue.

REPLACEMENTS : VENTILATEUR D'ÉCHANGEUR D'AIR CHAUD

Débrancher le poêle. Déconnecter tout câblage raccordé au ventilateur d'air chaud. Retirer les vis de fixation de la plaque de montage. Retirer lentement le ventilateur et le remplacer par le nouveau. Fixer la plaque à l'aide des vis et reconnecter les fils.



Figure 25 Ventilateur d'échangeur d'air chaud du modèle CBF66W

REPLACEMENTS : VENTILATEUR D'ÉCHAPPEMENT

Débrancher le poêle. Déconnecter tout câblage raccordé au ventilateur d'échappement. Retirer les écrous à oreilles maintenant la plaque de l'ensemble sans son logement. Retirer lentement le ventilateur et le remplacer par le nouveau. Fixer avec les écrous à oreilles et reconnecter les fils.

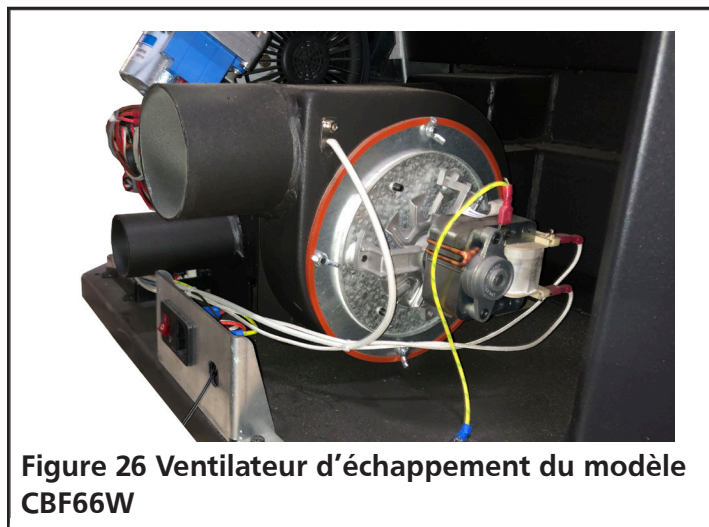


Figure 26 Ventilateur d'échappement du modèle CBF66W

COMPOSANTS DE SÉCURITÉ

1. Pressostat de vide : Un pressostat de vide est fixé derrière le bas de la porte gauche. Si une basse pression est créée par une fuite, l'ouverture de la porte du pot de combustion, une cheminée obstruée ou un tiroir de cendre non scellé, le pressostat éteindra le poêle comme mesure de précaution. Le code d'erreur E5 s'affichera à l'écran.
2. Thermostat de limite de température : Une protection de température élevée est placée sous le fond de la trémie. Si ce capteur est exposé à une température dépassant 85° C (185° F), le poêle sera éteint.
3. Thermostat de température élevée dans le tuyau d'échappement : Une protection de température élevée est placée sur le tuyau d'échappement. Si ce capteur est exposé à une température dépassant 40° C (104° F), le ventilateur de circulation d'air sera mis en marche.
4. Thermostat de basse température dans le tuyau d'échappement : Si le poêle se refroidit en bas de la consigne de température minimum, il s'éteindra. Ceci pourrait se produire si le poêle ne se réchauffe pas assez rapidement après l'allumage.
5. Fusible : Un élément fusible à l'arrière du dispositif protège contre les défauts et les risques d'électrocution. Voir Figure 27.

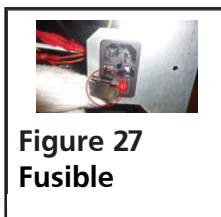


Figure 27
Fusible

HORAIRE DE NETTOYAGE DU POÊLE À GRANULES

Étape 1 :

Éteindre le poêle, et le laisser refroidir complètement.

Étape 2 :

Empoigner votre aspirateur à cendres pour enlever les cendres et les débris du pot à feu et dans la région environnante, ainsi que toutes les piles de cendres ou de débris que vous voyez.

Étape 3 :

Soulever et retirer le pot à feu – s'assurer que cette région soit libre de débris. Passer l'aspirateur sous le pot à feu, en prenant grand soin de passer l'aspirateur dans la voie d'aéragé sous le pot à feu.

Étape 4 :

Empoigner votre outil de nettoyage et le déplacer vers le pot à feu. Gratter pour éliminer tout débris hors du pot à feu, en s'assurant que tous les trous dans le pot à feu sont libérés de toute accumulation.

Étape 5 :

Essuyer la vitre. Ne jamais nettoyer la vitre avec de l'eau froide ou un nettoyeur alors que la vitre est encore chaude, puisque cela peut causer le craquelage du verre. La méthode que nous recommandons nécessite un chiffon ou une serviette de papier humide. L'appliquer sur les cendres froides, puis essuyer la vitre en commençant par le haut.

Étape 6 :

Certains modèles ont un tiroir pour les cendres. C'est alors une bonne idée de le vider à chaque fois que vous nettoyez votre poêle. Il est possible d'utiliser un aspirateur à cendres pour éliminer les cendres du tiroir.

Étape 7 :

Les modèles mini offrent des tiges de nettoyage. Vos tiges de nettoyage doivent être utilisées quotidiennement après que le poêle ait refroidi. Elles effectuent le nettoyage à l'intérieur de l'évacuation, là où les cendres et les débris peuvent s'accumuler. Si une accumulation excessive survient, votre poêle n'aura plus la bonne quantité d'air de combustion.

NETTOYAGE HEBDOMADAIRE

Étape 1 :

Nous recommandons de laisser le poêle manquer de granules; de sorte que la réserve soit vide. Passer l'aspirateur sur la réserve. Éliminer toute la poussière de la réserve, et inspecter votre réserve.

Étape 2

Les modèles de taille moyenne et grande comportent des plaques de conduit. Retirer la plaque de conduit centrale, en la glissant vers le haut. Après avoir glissé la plaque de conduit centrale et l'avoir sortie, il est possible de retirer les plaques de gauche et de droite. Passer l'aspirateur et brosser les plaques de conduit, gratter toute vitrification et accumulation. Vérifier les parois derrière les plaques de conduit pour détecter la présence de débris. S'assurer aussi de passer l'aspirateur derrière les plaques de conduit.

Étape 3 :

Le cas échéant, retirer le tiroir des cendres, et passer l'aspirateur sur le tiroir. Puis, brosser et gratter toutes les crasses et les accumulations. S'assurer que la région sous le tiroir soit elle aussi propre.

Étape 4 :

Inspecter la chute de la vis sans fin. S'il y a une accumulation de créosote ou de poussière de granule, nettoyer la chute avec une brosse à poils d'acier.

À TOUTES LES DEUX SEMAINES

Il faut vous rendre à l'extérieur, et inspecter visuellement le chapeau de terminaison sur l'évacuation. S'assurer qu'aucun animal tente de faire son nid, et vérifier la présence de toute accumulation de cendres sur la grille.

AU MOINS UNE FOIS PAR MOIS

Étape 1 :

Utiliser une brosse de nettoyage pour dégager les entrées d'air, localisées sous le pot à feu, qui vont vers l'arrière du poêle; le placement et la taille exactes peuvent varier d'un modèle à l'autre.

Étape 2 :

Pour les modèles de taille moyenne et grande avec des plaques de conduit, le port d'évacuation se trouve derrière une plaque de conduit, à gauche du pot à feu. S'assurer de bien nettoyer avec une brosse à poils d'acier, et d'y passer l'aspirateur.

Étape 3 :

Utiliser une brosse de nettoyage pour dégager les ports d'évacuation d'air dans votre chambre de combustion. Le nombre de ports d'évacuation varie d'un modèle à l'autre.

Pour les modèles mini : Ils comportent quatre ports d'évacuation en haut de la chambre de combustion.

Pour les modèles avec hublot à l'avant : Ils comportent deux ports d'évacuation en haut de la chambre de combustion. Il faut vérifier qu'ils soient dégagés pour assurer une circulation optimale de l'air dans la chambre de combustion.

À TOUTES LES DEUX (2) TONNES DE GRANULES, OU À TOUS LES DEUX MOIS

Inspecter le tee de nettoyage. Retirer toutes les cendres accumulées et resceller la connexion, au besoin.

ANNUELLEMENT

- Il est important de retirer le ventilateur de combustion; utiliser une brosse à poils d'acier sur la créosote, et passer l'aspirateur sur les débris. Cela est important pour la région au-dessous du ventilateur et sur le ventilateur même. Lors du retrait du ventilateur de combustion, si le joint d'étanchéité est usé, vous pouvez retirer le joint d'étanchéité et utiliser de la silicone rouge RTV pour la haute température pour créer un nouveau joint d'étanchéité pour le ventilateur.
- Vous pourriez devoir retirer le conduit de l'arrière du poêle, et utiliser une brosse à poils d'acier pour y passer aussi l'aspirateur pour le nettoyage.
- Il pourrait s'avérer nécessaire de recourir aux services d'un ramoneur de cheminée pour nettoyer votre système d'évacuation de manière régulière. Il faut porter une attention particulière sur les coudes, puisqu'ils peuvent accumuler de la créosote encore plus que les conduits droits.
- C'est aussi une bonne idée de nettoyer votre conduit d'entrée d'air annuellement.


Pour les modèles mini : Il est localisé derrière le panneau de droite. Il y a un couvercle d'entrée d'air qui doit être retiré, et la voie d'aéragage doit être nettoyée. Si les joints d'étanchéité sont endommagés ou usés, il est possible d'en fabriquer de nouveaux avec de la silicone rouge RTV pour la haute température.

Pour les modèles avec hublot à l'avant : Les voies d'aéragage comportent une ouverture derrière le tiroir des cendres. Le tiroir des cendres devra être retiré complètement, et les couvercles peuvent être retirés avec une clé Allen de 3 mm. Une brosse à poils d'acier et un aspirateur à cendres peuvent aussi être utilisés pour nettoyer les voies d'aéragage.

CODES D'ERREUR

REMARQUE :DANS L'ÉVENTUALITÉ D'UNE PANNE DE COURANT (CODE D'ERREUR E7), UNE FAIBLE QUANTITÉ DE FUMÉE POURRAIT ÊTRE DÉGAGÉE. CECI DURERA DE TROIS À CINQ MINUTES ET NE REPRÉSENTE PAS UN DANGER.

⚠ ATTENTION : S'IL S'EST PRODUIT UNE SURCHAUFFE (CODES D'ERREUR E5 ET E6), ALORS UNE INSPECTION, ENTRETIEN ET/OU UN NETTOYAGE DEVRA ÊTRE EFFECTUÉ AVANT QUE LE POÊLE PUISSE ÊTRE UTILISÉ DE FAÇON SÉCURITAIRE DE NOUVEAU.

Après avoir suivi les étapes de solution suggérées, actionner le bouton de confirmation  pour supprimer le code d'erreur de l'afficheur multi-fonction. Et puis effectuer la procédure de fonctionnement de la page 13 pour rallumer le poêle.

CODE D'ERREUR	CAUSE	SOLUTION
E1	La température d'échappement est en dessous de 4,44 à 7,22 C (40 à 45 C). Le fonctionnement a été interrompu et le chauffage arrêté.	<ol style="list-style-type: none"> 1. Vérifier la présence de grenailles dans la trémie. 2. Vérifier le fonctionnement du moteur de la tarière et que celle-ci alimente bien le pot de combustion.
E2	Échec d'allumage des grenailles dans le pot de combustion.	<ol style="list-style-type: none"> 1. S'assurer que le pot de combustion ne comporte pas de fragments de différentes tailles formés par des débris exposés à la chaleur élevée (plus commun lors d'utilisation de grenailles de moindre qualité). 2. S'assurer que le pot de combustion soit bien assis dans son support et qu'il n'y a pas d'obstruction devant l'allumeur. 3. S'assurer que le capteur de température de gaz d'échappement, adjacent au ventilateur de combustion, est en bon état et n'a pas subi de dommage. 4. S'assurer que l'allumeur n'est pas brisé.
E5	Basse pression détectée par le pressostat de vide (se référer à la vue éclatée).	<ol style="list-style-type: none"> 1. S'assurer que la porte et le tiroir de cendre (le cas échéant) sont bien fermés. 2. S'assurer que la canalisation d'échappement n'est pas obstruée ou qu'elle n'a pas de fuite. 3. S'assurer que le ventilateur de combustion est fonctionnel.
E6	Signal du capteur de température élevée (situé sous la trémie).	<ol style="list-style-type: none"> 1. S'assurer que le capteur n'est pas défectueux. 2. La température au niveau du capteur est trop élevée. Le poêle ne fonctionne pas correctement. Appelez le service à la clientèle.
E7	Panne de courant.	Actionner le bouton de Confirmation pour supprimer le code d'erreur. Rallumer le poêle. Vous pouvez décider de sauter par-dessus les cycles précédents et de passer directement au cycle de stabilisation, en actionnant et maintenant le bouton de sélection de taux durant 3 secondes.
ESC1	Capteur de température n° 1 court-circuité (échappement)	<ol style="list-style-type: none"> 1. Vérifier les fils et les points de raccordement. 2. Contactez le support technique pour obtenir de l'aide.
ESO1	Capteur de température n° 1 en circuit ouvert	<ol style="list-style-type: none"> 1. Vérifier les fils et les points de raccordement. 2. Contactez le support technique pour obtenir de l'aide.
ESC2	Capteur n° 2 court-circuité, de température de trémie	<ol style="list-style-type: none"> 1. Vérifier les fils et les points de raccordement. 2. Contactez le support technique pour obtenir de l'aide.
ESO2	Capteur de température n° 2 en circuit ouvert	<ol style="list-style-type: none"> 1. Vérifier les fils et les points de raccordement. 2. Contactez le support technique pour obtenir de l'aide.

CODES D'ERREUR (SUITE)

ESC3	Capteur de température de pièce n° 3 court-circuité	<ol style="list-style-type: none"> 1. Vérifier les fils et les points de raccordement. 2. Contactez le support technique pour obtenir de l'aide.
ESO3	Capteur de température n° 3 en circuit ouvert	<ol style="list-style-type: none"> 1. Vérifier les fils et les points de raccordement. 2. Contactez le support technique pour obtenir de l'aide.

DÉPANNAGE

SYMPTÔME	CAUSE	SOLUTION
Le poêle ne s'allume pas.	Le commutateur d'alimentation n'est pas fermé.	Actionner le commutateur d'alimentation.
	Le cordon d'alimentation est débranché.	<ol style="list-style-type: none"> 1. Insérer à fond le cordon d'alimentation dans le poêle 2. S'assurer que la prise murale fournit une tension de 120 V.
	Le fusible est grillé.	Remplacer le fusible.
Le ventilateur ne tourne pas durant les cycles de nettoyage, d'alimentation et d'allumage.	Ceci est normal.	Ceci n'est pas un problème, le ventilateur ne se met en marche qu'au cycle de stabilisation.
Le ventilateur ne se met pas en marche durant le cycle de stabilisation.	Le poêle/panneau de commande n'est pas sous tension.	Vérifier l'alimentation et les câbles.
	Carte mère débranchée.	S'assurer que les connecteurs de la carte sont complètement insérés.
	Le capteur de basse température est défectueux.	Remplacer le capteur.
La tarière n'alimente pas le pot de combustion durant les cycles incluant le cycle d'allumage.	La trémie est vide.	Ajouter des grenailles dans la trémie.
	La tarière est coincée, obstruée ou déconnectée.	<ol style="list-style-type: none"> 1. Débrancher l'unité de sorte qu'il ne se produise pas de démarrage inattendu et dégager le blocage de la tarière. 2. Vérifier que la tarière ne soit pas bloquée. Si c'est le cas, dégager le produit causant le coincement. 3. S'assurer que la vis de fixation de la tarière au moteur est bien serrée.

DÉPANNAGE (SUITE)

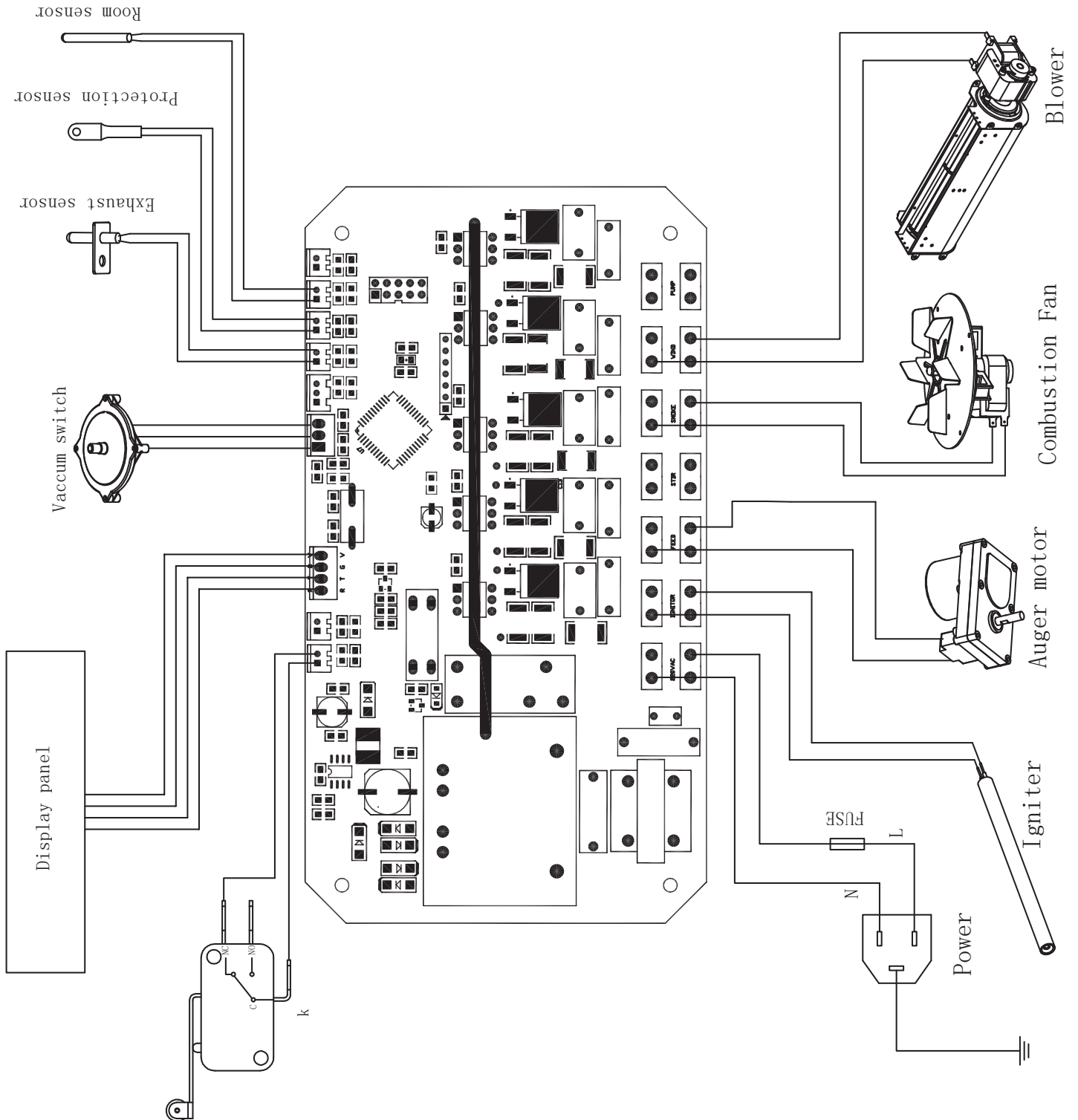
SYMPTÔME	CAUSE	SOLUTION
Trop de grenailles dans le pot de combustion. Les grenailles ne se consomment pas toutes entièrement.	La vitesse d'alimentation est plus grande que la capacité de combustion.	1. Augmenter la vitesse du ventilateur pour augmenter le taux de combustion.
Pas assez de grenailles dans le pot de combustion.	La vitesse d'alimentation n'est pas suffisante pour soutenir ce taux de combustion.	1. Diminuer la vitesse du ventilateur pour diminuer le taux de combustion. 2. Augmenter la vitesse d'alimentation.
Le poêle s'éteint 15 minutes après avoir été allumé.	La trémie est à un bas niveau.	Vérifier la présence de suffisamment de grenailles dans la trémie.
	La tarière ne fonctionne pas.	1. Débrancher l'unité de sorte qu'il ne se produise pas de démarrage inattendu et dégager le blocage de la tarière. 2. Vérifier que la tarière ne soit pas bloquée. Si c'est le cas, dégager le produit causant le coincement. 3. S'assurer que la vis de fixation de la tarière au moteur est bien serrée.
	Le thermostat de température de 30 C s'est déclenché.	1. S'assurer que les fils du thermostat sont bien connectés. 2. Remplacer le thermostat de 30 C.
	Le pressostat à l'intérieur du poêle est défectueux.	Remplacer le pressostat.
Flamme orange, grenailles s'empilent dans le pot de combustion, dépôts de carbone sur la vitre.	Insuffisance d'air pour une combustion adéquate.	1. S'assurer que la bouche d'entrée d'air sur le devant est ouverte. 2. S'assurer que les joints d'étanchéité de la fenêtre et de la porte sont en bon état. 3. Vérifier que les canalisations d'entrée et de sortie d'air ne sont pas bloquées. 4. Augmenter la superficie d'ouverture des canalisations. 5. Augmenter la vitesse du ventilateur pour augmenter le taux de combustion. 6. Veuillez communiquer avec le fabricant pour assistance.

DÉPANNAGE (SUITE)

SYMPTÔME	CAUSE	SOLUTION
La combustion s'arrête et le poêle interrompt son fonctionnement.	La trémie est vide.	Ajouter des grenailles dans la trémie.
	La tarière est coincée, obstruée ou déconnectée.	<ol style="list-style-type: none"> Débrancher l'unité de sorte qu'il ne se produise pas de démarrage inattendu et dégager le blocage de la tarière. Vérifier que la tarière ne soit pas bloquée. Si c'est le cas, dégager le produit causant le coincement. S'assurer que la vis de fixation de la tarière au moteur est bien serrée.
	La vitesse d'alimentation n'est pas suffisante pour soutenir ce taux de combustion.	<ol style="list-style-type: none"> Diminuer la vitesse du ventilateur pour diminuer le taux de combustion.
	Le thermostat de température de 30 °C s'est déclenché.	<ol style="list-style-type: none"> S'assurer que les fils du thermostat sont bien connectés. Remplacer le thermostat de 30 °C.
La combustion s'arrête et le poêle interrompt son fonctionnement (suite).	La température réglée a été atteinte.	Ceci est le fonctionnement normal du mode ECO. Le poêle se remettra automatiquement en fonction lorsque la température de la pièce descendra en-dessous de la demande programmée.
Le ventilateur de circulation d'air demeure en fonction après que le poêle a cessé de chauffer et se soit refroidi.	Le thermostat de température de 30 °C s'est déclenché.	<ol style="list-style-type: none"> S'assurer que les fils du thermostat sont bien connectés. Remplacer le thermostat de 30 °C.
Le poêle fournit un volume trop faible d'air insuffisamment chauffé.	Le combustible est inadéquat.	Utiliser des grenailles spécifiées dans le présent manuel.
	La vitesse du ventilateur de circulation d'air chaud est à un réglage trop bas ou le fonctionnement du ventilateur est compromis.	<ol style="list-style-type: none"> Si le ventilateur est défectueux, remplacer le ventilateur. Si la carte de commande du ventilateur est défectueuse, remplacer la carte.
	Les tubes de l'échangeur de chaleur sont sales.	Nettoyer les tubes de l'échangeur de chaleur.

SCHÉMA DE CÂBLAGE

REMARQUE : SI DES FILS QUELCONQUES DOIVENT ÊTRE REMPLACÉS ILS DEVRONT CORRESPONDRE AUX SPÉCIFICATIONS DE CÂBLAGE ORIGINAL DE TEMPÉRATURE NOMINALE DE 105 C AVEC ISOLANT DE CLASSE DE 600 V



PIÈCES DE SERVICE MODÈLE C60W

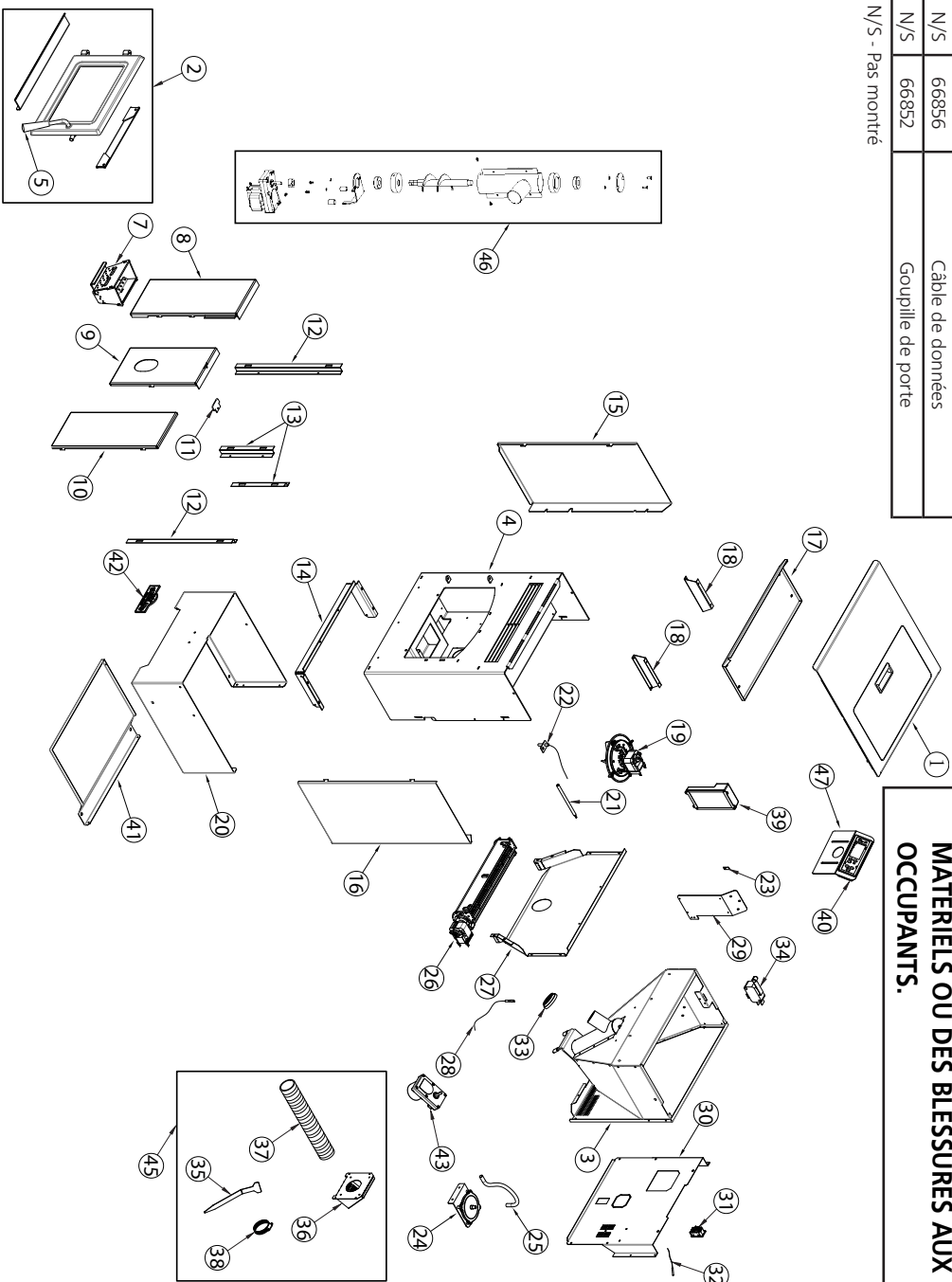
N°	N° de pièce	DESCRIPTION
1	66623	Le couvercle supérieur
2	66624	Porte assemblée
3	n / a	Hopper
4	n / a	Corps principal
5	66603	Poignée de porte
7	66625	Pot de feu
8	66931	Conseil de combustion - gauche
9	66933	Conseil de combustion au milieu
10	66932	Panneau De Conduit De Droite
11	n / a	Plaque de cheminée supérieure
12	n / a	Conduit de fumée plaque longue
13	n / a	Conduit de cheminée fixe court
14	n / a	Piédestal plaque fixe
15	66626	Panneau latéral gauche
16	66627	Panneau latéral droit
17	n / a	Plaque d'isolation thermique
18	n / a	Plaque de support d'isolation
19	66607	Souffleur à combustion
20	n / a	Plaque de piédestal
21	66608	Allumeur
22	66609	Capteur d'échappement
23	n / a	Vis de fixation
24	66628	Commutateur de vide
25	66629	Tube de silicone de commutateur de vide
26	66630	Ventilateur de circulation
27	n / a	Couverture d'isolation de chambre
28	66613	Capteur de sécurité de la trémie
29	n / a	Plaque fixe de la carte mère
30	66631	Capot arrière
31	66615	Prise de courant
32	66616	Capteur de pièce
33	66622	Joint détaché en caoutchouc silicone
34	66617	Commutateur de couvercle de trémie
35	66855	Outil de nettoyage (voir n. 45)
36	n / a	Ventilation d'admission d'air frais (voir n. 45)
37	n / a	Tube d'expansion en aluminium (voir n. 45)
38	n / a	Pince (voir n. 45)
39	66618	Carte mère
40	66619	Panneau d'affichage

N°	N° de pièce	DESCRIPTION
41	n / a	Plaque intérieure de piédestal
42	n / a	Plaque signalétique
43	66621	Moteur de tarîère
44	66658	Télécommande (non illustrée)
45	66659	Kit d'accessoires
46	66660	Assemblée de la tarîère
47	66850	Support de panneau d'affichage
N/S	66854	Cordon d'alimentation
N/S	66856	Câble de données
N/S	66852	Goupille de porte

N/S - Pas montré

REMARQUE : LES PIÈCES NE SONT PAS TOUTES EN MAGASIN. POUR TOUTE QUESTION, COMMUNIQUEZ AVEC LE FABRICANT.

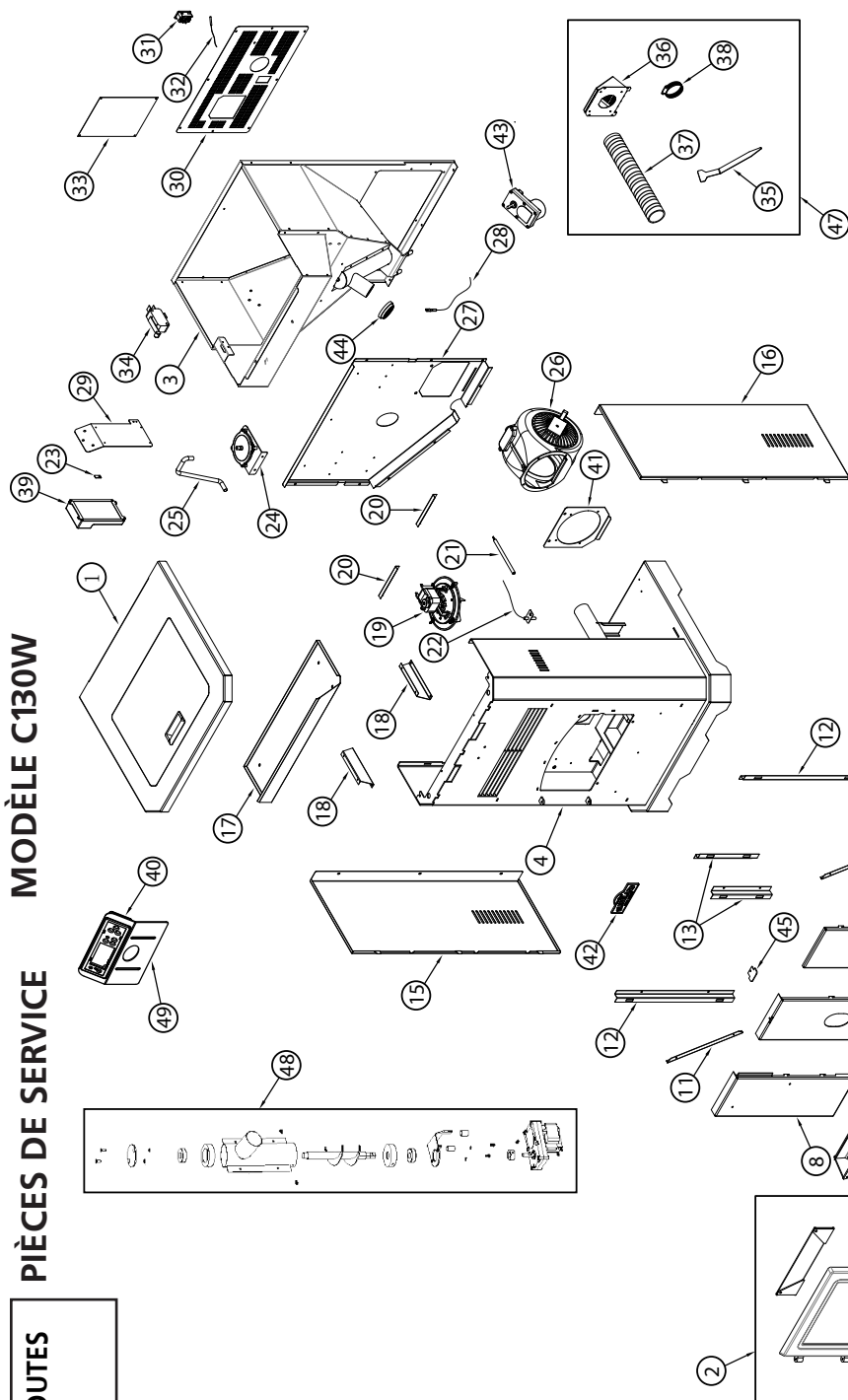
⚠ AVERTISSEMENT : NE PAS POSITIONNER LES PIÈCES SELON CES SCHEMAS OU NE PAS UTILISER EXCLUSIVEMENT LES PIÈCES SPÉCIFIQUEMENT APPRUVÉES POUR CE POÊLE POURRAIT RÉSULTER EN DES DOMMAGES MATÉRIELS OU DES BLESSURES AUX OCCUPANTS.



REMARQUE : LES PIÈCES NE SONT PAS TOUTES EN MAGASIN. POUR TOUTE QUESTION, COMMUNIQUEZ AVEC LE FABRICANT.

AVERTISSEMENT : NE PAS POSITIONNER LES PIÈCES SELON CES SCHÉMAS OU NE PAS UTILISER EXCLUSIVEMENT LES PIÈCES SPÉCIFIQUEMENT APPROUVÉES POUR CE POÊLE POURRAIT RÉSU-LTER EN DES DOMMAGES MATÉRIELS OU DES BLESSURES AUX OCCUPANTS.

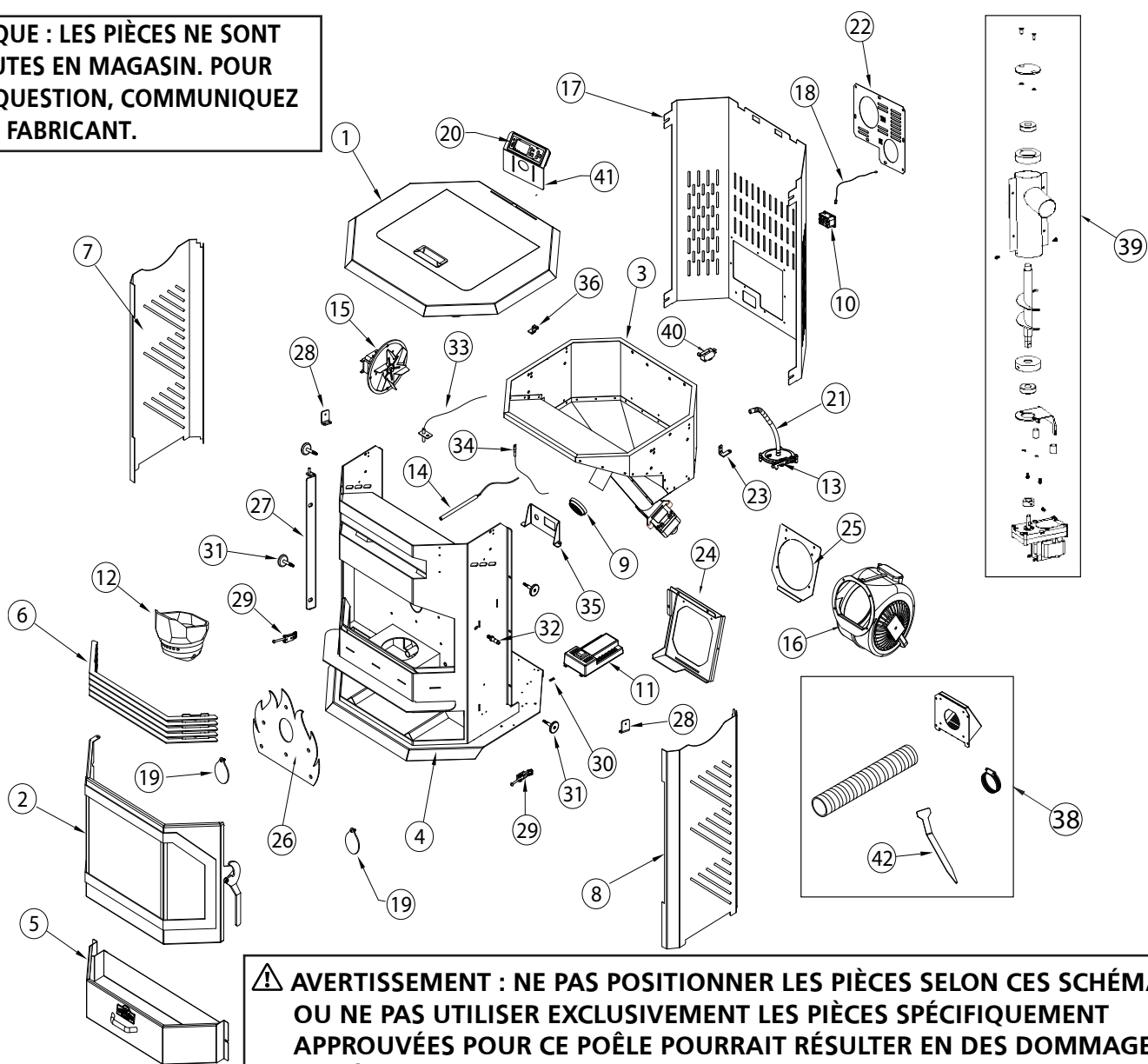
PIÈCES DE SERVICE MODÈLE C130W



N°	N° de pièce	DESCRIPTION
1	66601	Le couvercle supérieur
2	66602	Porte assemblée
3	n / a	Hopper
4	n / a	Corps principal
5	66603	Poignée de porte
7	66604	Pot de feu
8	66934	Conduit de fumée gauche
9	66862	Plaque De Conduit
10	66935	Conduit de fumée à droite
11	n / a	Renfort de la cheminée
12	n / a	Conduit de fumée plaque longue
13	n / a	Conduit de cheminée fixe court
15	66605	Panneau latéral gauche
16	66606	Panneau latéral droit
17	n / a	Panneau isolant thermique
18	n / a	Plaque de support d'isolation
19	66607	Souffleur à combustion
20	n / a	Plaque de renforcement
21	66608	Allumeur
22	66609	Captur d'échappement
23	n / a	Vis de terre
24	66610	Commutateur de vide
25	66611	Tube de silicone
26	66612	Ventilateur de circulation
27	n / a	Couverture d'isolation de chambre
28	66613	Captur de sécurité de la trémie
29	n / a	Plaque fixe de la carte mère
30	66614	Capot arrière
31	66615	Prise de courant
32	66616	Captur de pièce
33	n / a	Étiquette de notation
34	66617	Commutateur de couvercle de trémie
35	66855	Outil de nettoyage (voir n 47)
36	n / a	Ventilation d'admission d'air frais (voir n 47)
37	n / a	Tube d'expansion en aluminium (voir n 47)
38	n / a	Pince (voir n 47)
39	66618	Carte mère
40	66619	Panneau d'affichage
41	66620	Plaque fixe ventilateur
42	n / a	Plaque signalétique
43	66621	Moteur de tarière
44	66622	Joint d'étanchéité en caoutchouc silicone
45	n / a	Plaque de cheminée supérieure
46	66658	Télécommande (non illustrée)
47	66659	Kit d'accessoires
48	66660	Assemblée de la vis
49	66850	Support de panneau d'affichage
N/S	66854	Cordon d'alimentation
N/S	66856	Câble de données
N/S	66852	Goupille de porte
N/S	N/S	Pas montré

PIÈCES DE SERVICE MODÈLE CBF66W

REMARQUE : LES PIÈCES NE SONT PAS TOUTES EN MAGASIN. POUR TOUTE QUESTION, COMMUNIQUEZ AVEC LE FABRICANT.



⚠ AVERTISSEMENT : NE PAS POSITIONNER LES PIÈCES SELON CES SCHÉMAS OU NE PAS UTILISER EXCLUSIVEMENT LES PIÈCES SPÉCIFIQUEMENT APPROUVÉES POUR CE POËLE POURRAIT RÉSULTER EN DES DOMMAGES MATÉRIELS OU DES BLESSURES AUX OCCUPANTS.

N°	N° de pièce	DESCRIPTION
1	66632	Le couvercle supérieur
2	66633	Porte
3	n / a	Hopper
4	n / a	Corps principal
5	66634	Cendrier
6	n / a	Plaque décorative
7	66635	Panneau latéral gauche
8	66636	Panneau latéral droit
9	66622	Joint d'étanchéité en caoutchouc silicone
dix	66615	Prise de courant
11	66637	Carte mère
12	66638	Pot de feu
13	66639	Commutateur de vide
14	66640	Allumeur
15	66641	Souffleur à combustion
16	66612	Ventilateur de circulation

N°	N° de pièce	DESCRIPTION
17	66642	Capot arrière
18	66643	Capteur de pièce
19	n / a	Plaque d'étanchéité
20	66644	Panneau d'affichage
21	66645	Tube de silicone de dispositif de pression
22	66646	Plaque d'étanchéité arrière
23	66647	Charnière de panneau latéral droit
24	66648	Support de soufflante
25	66620	Plaque fixe ventilateur
26	n / a	Plaque ignifuge
27	66649	Charnière de porte
28	66650	Couvercle Arrière Plaque Fixe
29	66651	Pièces de verrouillage pour cendrier
30	n / a	Vis de terre
31	66652	Aimant

N°	N° de pièce	DESCRIPTION
32	66653	Porte, loquet
33	66654	Capteur d'échappement
34	66655	Capteur de sécurité de la trémie
35	66656	Prise plaque fixe
36	66657	Charnière de panneau latéral gauche
37	66658	Télécommande (non illustrée)
38	66659	Kit d'accessoires
39	66660	Assemblée de la tarière
40	66617	Commutateur de couvercle de trémie
41	66850	Support de panneau d'affichage
42	66855	Outil de nettoyage (voir n 38)
N/S	66854	Cordon d'alimentation
N/S	66856	Câble de données
N/S	66859	Goupille de porte

N/S - Pas montré

LIRE LES INSTRUCTIONS ATTENTIVEMENT : Veuillez lire le présent manuel au complet avant d'installer et d'utiliser ce poêle à grenailles de bois. Ne pas suivre les directives comprises pourrait résulter en des dommages matériels ou des blessures graves, voire la mort. Ne pas laisser quiconque qui n'a pas lu les instructions du présent manuel assembler, allumer, régler ou faire fonctionner le poêle. Remiser ce manuel dans un endroit sûr pour référence ultérieure.

AVERTISSEMENT :

N'UTILISER QUE LES PIÈCES DE REMPLACEMENT DU FABRICANT. L'UTILISATION DE TOUTE AUTRE PIÈCE POURRAIT CAUSER DES BLESSURES OU LE DÉCÈS DE PERSONNES. LES PIÈCES DE REMPLACEMENTS SONT SEULEMENT DISPONIBLES DIRECTEMENT DE LA MANUFACTURE ET DOIVENT ÊTRE INSTALLÉES PAR UNE AGENCE DE SERVICE QUALIFIÉE.

RENSEIGNEMENTS POUR COMMANDES DE PIÈCES :

ACHAT : LES ACCESSOIRES PEUVENT ÊTRE ACHETÉS EN TOUT TEMPS DE TOUT DÉPOSITAIRE LOCAL OU DIRECTEMENT DE LA MANUFACTURE.

POUR RENSEIGNEMENTS CONCERNANT LE SERVICE :

Veuillez composer le numéro sans frais 1-800-251-0001

Nos heures d'ouverture sont de 8:00 h à 17:00 h HNE du lundi au vendredi.

Dans toutes les communications, veuillez indiquer le numéro de modèle, la date d'achat et une description du problème.

GARANTIE LIMITÉE :

Enerco Group, Inc. (EGI) garantit les poêles à grenailles de bois être libres de défauts de matériaux et de main-d'œuvre au moment de la livraison. Après l'installation, si des composants couverts sont trouvés présenter des défauts de matériau ou de main-d'œuvre durant la période de couverture applicable, alors la Société, à sa propre option, réparera ou remplacera les produits retournés par l'acheteur à l'atelier, tous frais de transport payés d'avance, durant la période de garantie applicable, les pièces trouvées défectueuses. La période de garantie des composants couverts est définie dans le tableau suivant :

Composants couverts	Période de garantie (pièce seulement, main-d'œuvre non comprise)
Électriques	1 an
Pièces métalliques (excluant le pot de combustion)	5 ans

Si une pièce est endommagée ou manquante, appelez notre Service de soutien technique au 1-800-251-0001.

Adresser toute demande de compensation de garantie à : Service Department, Enerco Group, Inc., 4560 W. 160TH ST., CLEVELAND, OHIO 44135 U.S.A. Indiquez votre nom, adresse et numéro de téléphone, le numéro de modèle et le numéro de série de votre produit et décrivez les détails concernant la demande de compensation. Veuillez également nous indiquer la date d'achat ainsi que les nom et adresse du dépositaire où vous avez acheté votre produit.

Ce qui suit est la description complète de la responsabilité de la Société. Aucune autre garantie explicite ou implicite n'est applicable. Particulièrement, aucune garantie de concordance spécifique à une application ne s'applique ainsi que toute garantie de commercialité. En aucun cas la Société ne sera responsable de délais dus à des imperfections ou dommages de conséquence ainsi que pour des frais de toute nature sauf si consentis par écrit. Les réparations ou remplacements seront le remède exclusif pour tout bris de garantie. Il n'y a pas de garantie contre les infractions de droits ou de garantie implicite de ressortissants d'affaires. La présente garantie ne s'appliquera à aucun produit qui a été réparé ou modifié hors de l'usine sous tout aspect qui selon notre opinion affecte la condition de fonctionnement. La présente garantie ne couvre pas les dommages ou bris dus à un mauvais usage, abus d'utilisation ou modifications. La garantie ne couvre pas la peinture de finition, les vitres, joints d'étanchéité ou les briques réfractaires. La garantie ne couvre pas le pot de combustion. La garantie ne couvre aucun dommage de corrosion.

Certains États/provinces ne permettent pas l'exclusion ou la limite de dommages accessoires ou indirects, alors les exclusions ou limitations ci-dessus pourraient ne pas s'appliquer dans votre cas. La présente garantie vous donne des droits juridiques particuliers et d'autres droits, variables d'un état/province à l'autre, pourraient s'appliquer.

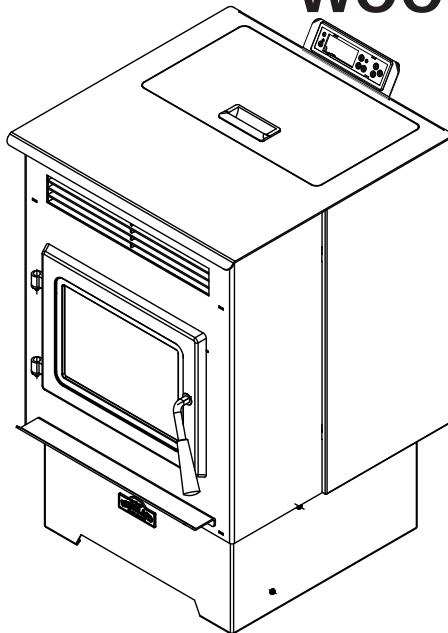
Enerco Group, Inc. se réserve le droit d'apporter des modifications sur les couleurs, spécifications, accessoires, matériaux et modèles en tout temps sans préavis ou obligation.

INSTALLER: Leave this manual with the appliance.

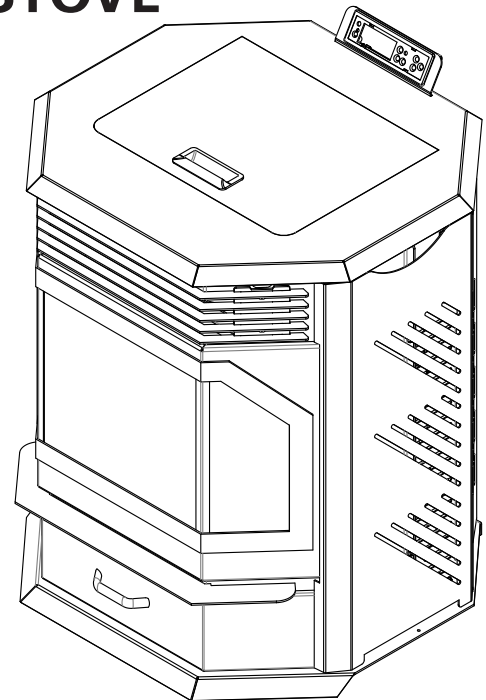
CONSUMER: Save these Instructions for future reference.

	<h1>OPERATING INSTRUCTIONS AND OWNER'S MANUAL</h1>	Model # PS60W PS130W PSBF66W
<p>READ INSTRUCTIONS CAREFULLY: Please read this entire manual before installation and use of this pellet fuel-burning room heater. Failure to follow these instructions could result in property damage, bodily injury or even death. Do not allow anyone who has not read these instructions to assemble, light, adjust or operate the stove. Place instructions in a safe place for future reference.</p>		

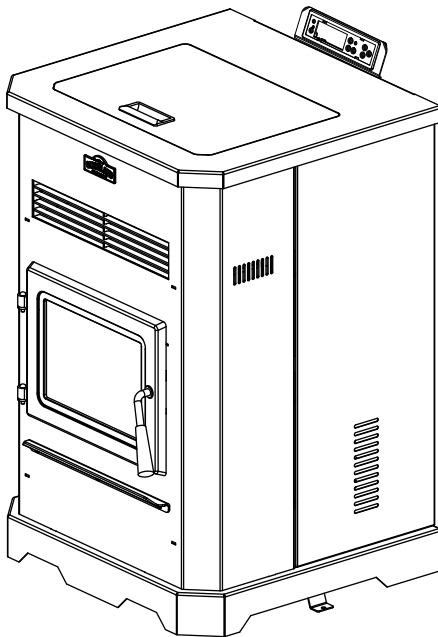
WOOD PELLET FIRE STOVE



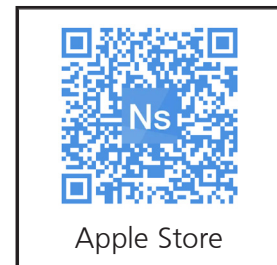
PS60W



PSBF66W



PS130W



Apple Store



Google Play Store

THE AUTHORITY HAVING JURISDICTION (SUCH AS MUNICIPAL BUILDING DEPARTMENT, FIRE DEPARTMENT, FIRE PREVENTION BUREAU, ETC.) SHOULD BE CONSULTED BEFORE INSTALLATION TO DETERMINE ANY NEED TO OBTAIN A PERMIT. OBSERVE ALL LOCAL BUILDING CODES.

Cleveland Ironworks a subsidiary of Enerco Group Inc.
4560 West 160th st Cleveland, Ohio 44135 1-800-251-0001

66688 REV I

GENERAL HAZARD WARNING:

⚠ FAILURE TO COMPLY WITH THE PRECAUTIONS AND INSTRUCTIONS PROVIDED WITH THIS STOVE CAN RESULT IN DEATH, SERIOUS BODILY INJURY AND PROPERTY LOSS OR DAMAGE FROM HAZARDS OF FIRE, EXPLOSION, BURN, ASPHYXIATION, CARBON MONOXIDE POISONING, AND/OR ELECTRICAL SHOCK.

⚠ ONLY PERSONS WHO CAN UNDERSTAND AND FOLLOW THE INSTRUCTIONS SHOULD USE OR SERVICE THIS STOVE.

⚠ IF YOU NEED ASSISTANCE OR STOVE INFORMATION SUCH AS AN INSTRUCTIONS MANUAL, LABELS, ETC. CONTACT THE MANUFACTURER.

WARNING:

⚠ FIRE, BURN, INHALATION, AND EXPLOSION HAZARD. KEEP SOLID COMBUSTIBLES, SUCH AS BUILDING MATERIALS, PAPER OR CARDBOARD, A SAFE DISTANCE AWAY FROM THE STOVE AS RECOMMENDED BY THE INSTRUCTIONS NEVER USE THE STOVE IN SPACES WHICH DO OR MAY CONTAIN VOLATILE OR AIRBORNE COMBUSTIBLES, OR PRODUCTS SUCH AS GASOLINE, SOLVENTS, PAINT THINNER, DUST PARTICLES OR UNKNOWN CHEMICALS.

⚠ **WARNING:** This product can expose you to chemicals including lead and lead compounds, which are known to the State of California to cause cancer and birth defects or other reproductive harm. For more information visit www.P65Warnings.ca.gov

Contents

SPECIFICATIONS.....3

GETTING STARTED.....4

SAFETY PRECAUTIONS.....5

CLEARANCE TO COMBUSTIBLES.....6

UNPACKING & ASSEMBLY.....7

INSTALLATION.....8

ADDITIONAL MOBILE HOME REQUIREMENTS ..12

OPERATION.....14

SMART STOVE WIFI CONNECTION.....16

WIFI CONTROLS.....17

MULTI FUNCTION CONTROLS.....18

MANUAL STOVE OPERATION.....19

MAINTENANCE.....20

CLEANING SCHEDULE.....24

TROUBLESHOOTING.....27

WIRING DIAGRAM.....30

SERVICE PARTS.....31

FCC INFORMATION

CAUTION: Changes or modifications not expressly approved by the party responsible for compliance could void the user’s authority to operate the equipment.

NOTE: This equipment has been tested and found to comply with the limits for a Class B digital device, pursuant to part 15 of the FCC Rules. These limits are designed to provide reasonable protection against harmful interference in a residential installation. This equipment generates, uses and can radiate radio frequency energy and, if not installed and used in accordance with the instructions, may cause harmful interference to radio communications. However, there is no guarantee that interference will not occur in a particular installation. If this equipment does cause harmful interference to radio or television reception, which can be determined by turning the equipment off and on, the user is encouraged to try to correct the interference by one or more of the following measures:

- Reorient or relocate the receiving antenna.
- Increase the separation between the equipment and receiver.
- Connect the equipment into an outlet on a circuit different from that to which the receiver is connected.
- Consult the dealer or an experienced radio/TV technician for help.

SPECIFICATIONS

Model #	PS60W	PS130W	PSBF66W
DIMENSIONS			
Stove Weight [LBS (kg)]	198 (90)	221 (100)	265 (120)
Stove Dimensions LxWxH [in (cm)]	23.5" x 21.75 " x 33.25" (59.7 x 55.2 x 84.5)	24.0" x 24.5 " x 36.5" (61.0 x 62.2 x 92.7)	26.18" x 24.53 " x 30.39" (66.5 x 62.3 x 77.2)
Air Inlet Pipe Diameter [in (mm)]	2" (50)	2" (50)	2" (50)
Air Outlet Pipe Diameter [in (mm)]	3" (80)	3" (80)	3" (80)
Pellet Hopper Capacity [LBS (kg)]	60 (27.2)	130 (59.0)	66 (29.9)
OPERATION SPECIFICATIONS			
Fuel	Wood Pellet	Wood Pellet	Wood Pellet
Heats approximately ** [ft ² (m ²)]	1500 - 2200 (139 - 204)	2000 - 3000 (186 - 279)	1800 - 2500 (167 - 232)
Carbon Monoxide Produced (g/min)	0.32 on High 0.18 on Low	0.20 on High 0.36 on Low	0.11 on High 0.21 on Low
Pellet Consumption Rate Low [LBS/HR (kg/HR)]	1.59 (0.72 - Dry)	1.98 (0.90 - Dry)	1.74 (0.79 - Dry)
Pellet Consumption Rate Medium [LBS/HR (kg/HR)]	2.03 (0.92 - Dry)	2.82 (1.28 - Dry)	2.36 (1.07 - Dry)
Pellet Consumption Rate High [LBS/HR (kg/HR)]	4.37 (1.98 - Dry)	4.83 (2.19 - Dry)	4.67 (2.12 - Dry)
Stove Efficiency	84%	77%	80%
Heat Output Rate Low [BTU/HR (kW)]	10,771 (3.16)	12,746 (3.74)	11,624 (3.41)
Heat Output Rate Medium [BTU/HR (kW)]	13,910 (4.08)	18,088 (5.30)	15,511 (4.55)
Heat Output Rate High [BTU/HR (kW)]	30,124 (8.83)	29,501 (8.65)	30,173 (8.84)
ELECTRICAL SPECIFICATIONS			
Electrical Supply Requirements [Voltage / Frequency / Phase]	120V / 60 Hz / Single	120V / 60 Hz / Single	120V / 60 Hz / Single
Electric Current During Lighting Phase [Amperes]	3.3	3.3	3.3
Auger Motor R.P.M.	2.4	2.4	2.4

This manual describes the installation and operation of the brand "Cleveland Iron Works" wood pellet fire stove. This stove meets the applicable U.S. Environmental Protection Agency's emission limits for pellet fired heaters sold after 2020. Under specific test conditions these stoves have been shown to deliver heat at rates ranging from:

PS60W: 10,771 to 30,124 Btu/hr

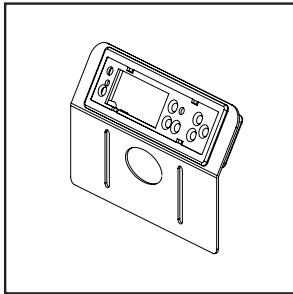
PS130W: 12,746 to 29,501 Btu/hr

PSBF66W: 11,624 to 30,173 Btu/hr

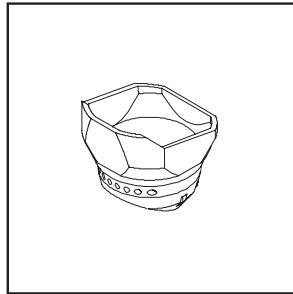
*BTU input/output will vary, depending on the brand of fuel you use in your Stove

** Depending on insulation rating of room and climate zone. Variations in climate and location affect attributes such as stove efficiency and CO produced.

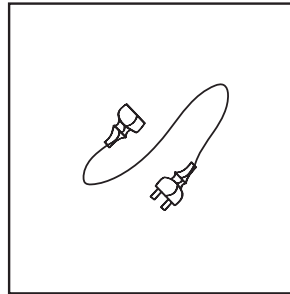
GETTING STARTED



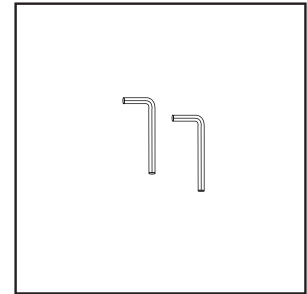
Display Panel



Firepot

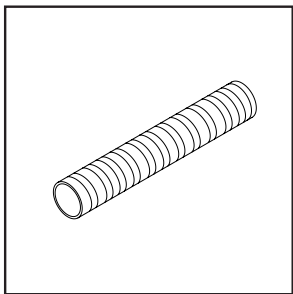


Main Power Cord

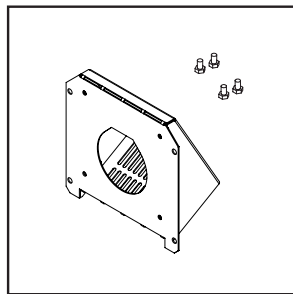


Allen Wrenches (x2)

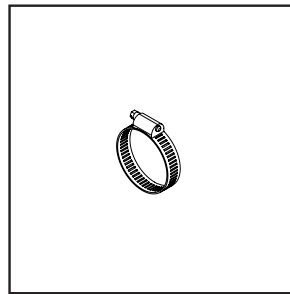
ACCESSORY KIT



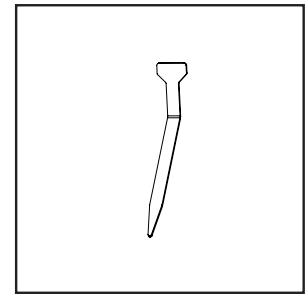
Flex Hose



Termination Cap and
Screws (x4)



Hose Clamp



Cleaning Tool

WHAT YOU'LL NEED (NOT SUPPLIED)

TOOLS REQUIRED

- Tape Measure
- Phillips Screwdriver or Comparable Electric Screw Driver & Drill Bit.
- Stud Finder
- Plumb Bob
- Reciprocating Saw
- High Temperature Silicone or High Temperature Sealant or High Temperature Flue Tape
- Floor Protection (see "FLOORING SPACE" and "FLOORING MATERIAL" on page 6)
- Manufactured venting of 3" (80mm) in diameter of type "L" or "PL" which is listed to UL 641, ULC S609 (Standard for 650 C Factory-Built Chimneys), or ULC/ORD C441. Install per chimney manufacturer's instructions (see page 9)

SAFETY EQUIPMENT (RECOMMENDED)

- Safety Glasses
- Gloves
- Closed-toed Shoes
- A friend (the stove is heavy, do not attempt to move the stove without assistance)

BATTERY INFORMATION

The remote that is shipped with your stove comes with one (1) 3V CR2025 Lithium Battery installed.

IMPORTANT:

- Non-rechargeable batteries are not to be recharged.
- Batteries are to be inserted with the correct polarity.
- Exhausted batteries are to be removed from the remote.
- Caution for ingestion.

⚠ WARNING: DO NOT DISPOSE OF BATTERIES IN FIRE. BATTERIES MAY EXPLODE OR LEAK.

⚠️ WARNING

- **INGESTION HAZARD:** This product contains a button cell or coin battery.
- **DEATH** or serious injury can occur if ingested.
- A swallowed button cell or coin battery can cause **Internal Chemical Burns** in as little as **2 hours**.
- **KEEP** new and used batteries **OUT OF REACH** of **CHILDREN**
- **Seek immediate medical attention** if a battery is suspected to be swallowed or inserted inside any part of the body.



- This product contains a lithium button/coin cell battery. If a new or used lithium button/coin cell battery is swallowed or enters the body, it can cause severe internal burns and can lead to death in as little as 2 hours. Always completely secure the battery compartment. If the battery compartment does not close securely, stop using the product, remove the batteries, and keep it away from children. If you think batteries might have been swallowed or placed inside any part of the body, seek immediate medical attention. Call a local poison control center for treatment information.
- Remove and immediately recycle or dispose of used batteries according to local regulations and keep away from children. Do NOT dispose of batteries in household trash or incinerate. Even used batteries may cause severe injury or death.
- Non-rechargeable batteries are not to be recharged. Do not force discharge, recharge, disassemble, heat above (manufacturer's specified temperature rating) or incinerate. Doing so may result in injury due to venting, leakage or explosion resulting in chemical burns.
- Ensure the batteries are installed correctly according to polarity (+ and -). Do not mix old and new batteries, different brands or types of batteries, such as alkaline, carbon-zinc, or rechargeable batteries. Remove and immediately recycle or dispose of batteries from equipment not used for an extended period of time according to local regulations.

SAFETY PRECAUTIONS

HAVE AN ESTABLISHED PLAN FOR WHAT TO DO IN THE EVENT OF A FIRE. CONTACT YOUR LOCAL FIRE AUTHORITY TO ACQUIRE INFORMATION AND A PLAN FOR WHAT TO DO IN THE EVENT OF A CHIMNEY FIRE.

⚠️ WARNING: DO NOT INSTALL IN SLEEPING ROOM.

⚠️ CAUTION: HANDLE STOVE WITH CARE. AVOID STRIKING, SCRATCHING OR SLAMMING GLASS ASSEMBLIES. DO NOT OPERATE WITH CRACKED, BROKEN OR SCRATCHED GLASS.

⚠️ WARNING: HOT WHILE IN OPERATION. KEEP CHILDREN, CLOTHING AND FURNITURE AWAY. CONTACT MAY CAUSE SKIN BURNS.

⚠️ WARNING: NEVER LEAVE CHILDREN NEAR THE STOVE UNATTENDED WHILE THE STOVE IS OPERATING.

⚠️ WARNING: DO NOT OVERFIRE. OVERFIRING THE APPLIANCE MAY CAUSE A FIRE. IF THE UNIT OR CHIMNEY CONNECTOR GLOWS, YOU ARE OVERFIRING.

⚠️ WARNING: THIS WOOD HEATER HAS A MANUFACTURER-SET MINIMUM LOW BURN RATE THAT MUST NOT BE ALTERED. IT IS AGAINST FEDERAL REGULATIONS TO ALTER THIS SETTING OR OTHERWISE OPERATE THIS WOOD HEATER IN A MANNER INCONSISTENT WITH OPERATING INSTRUCTIONS IN THIS MANUAL.

CARBON MONOXIDE

WARNING:

⚠️ WHEN USED WITHOUT ADEQUATE COMBUSTION AND VENTILATION AIR, THIS STOVE MAY GIVE OFF EXCESSIVE CARBON MONOXIDE, AN ODORLESS, POISONOUS GAS.

WARNING:

⚠️ EARLY SIGNS OF CARBON MONOXIDE POISONING RESEMBLE THE FLU, WITH HEADACHE, DIZZINESS AND/OR NAUSEA. IF YOU HAVE THESE SIGNS, STOVE MAY NOT BE WORKING PROPERLY. GET FRESH AIR AT ONCE! HAVE STOVE SERVICED.

SOME PEOPLE - PREGNANT WOMEN, PERSONS WITH HEART OR LUNG DISEASE, ANEMIA, THOSE UNDER THE INFLUENCE OF ALCOHOL, THOSE AT HIGH ALTITUDES - ARE MORE AFFECTED BY CARBON MONOXIDE THAN OTHERS.

Regardless of how safe this stove is, every fuel burning appliance creates Carbon Monoxide. It is always a good plan to reduce risk to you and your loved ones as much as possible by installing a Carbon Monoxide detector. It is recommended to install monitors in areas that are expected to generate carbon monoxide such as heater fueling areas, pellet fuel bulk storage areas, or sheds containing hydronic heaters. Follow the installation, operation, & maintenance instructions provided by the manufacturer of your detector.

SMOKE DETECTORS

Have at least 1 smoke detector on each floor of your building. Follow the installation, operation, & maintenance instructions provided by the manufacturer of your detector. Avoid false alarms by placing the detector outside the immediate vicinity of the stove. Typically a good installation location for smoke detectors is near bedrooms.

FOR MORE SAFETY INFORMATION

For auxiliary information regarding pellet stove safety and operation information contact the National Fire Protection Association (NFPA) by mail at:

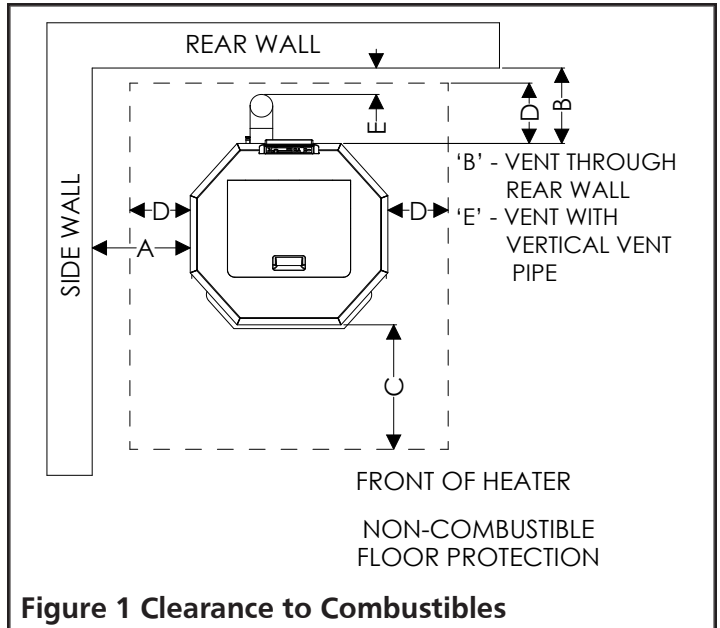
NFPA, Batterymarch Park, Quincy, MA 02269

or visit the NFPA website:

<https://www.nfpa.org/>

CLEARANCE TO COMBUSTIBLES

The following stated clearances represent the minimum distances between the stove and any other object. No objects should encroach into this space. This includes but is not limited to carpet, furniture, children, pets, clothing, fuel, or any other object. These clearances may only be reduced by means approved by the regulatory authority having jurisdiction.



	USA	CANADA
A	13" (330 mm)	13" (330 mm)
B	2" (51 mm)	2" (51 mm)
C	18" (457 mm)	18" (457 mm)
D	8" (203 mm)	8" (203 mm)
E	3" (76 mm)	3" (76 mm)

FLOORING SPACE & CLEARANCES

When installed on a combustible floor, non-combustible floor protection is required to:

- Cover the area beneath the stove and extend at least 18 inches (457 mm) to the front
- Cover the area at least 8 inches (203 mm) beyond each side of the room heater.
- Cover the area under the exhaust venting and 2 inches (50.8 mm) beyond each side.

Additionally, the wood pellet fire stove shall be positioned such that:

- It has at least 13" (330 mm) of clearance from the each side to the nearest body.

- It has at least 2" (51 mm) of clearance from the rear to the nearest body.
- Vertical runs of vent pipe must be at least 3" (76 mm) from any wall.

Finally, the area which the wood pellet fire stove is installed shall have a floor-to-ceiling distance of at least 84" (2134 mm).

FLOORING MATERIAL

Floor protection must be all of the following:

- Listed to UL 1618.
- At least 0.5" (13 mm) thick
- Constructed of non-combustible material.
- Have either:

Thermal resistance value R of $1.19 \frac{(\text{ft}^2)(\text{hr})(^\circ\text{F})}{\text{Btu}}$

Thermal conductivity value k of $0.84 \frac{(\text{Btu})(\text{inch})}{(\text{ft}^2)(\text{hr})(^\circ\text{F})}$

For assistance evaluating the suitability of substitute materials, the following equivalences of specifications and example below have been provided.

Thermal conductivity $k = \frac{\text{thickness}}{R} \left(\frac{(\text{Btu})(\text{inch})}{(\text{ft}^2)(\text{hr})(^\circ\text{F})} \text{ or } \frac{W}{(\text{m})(^\circ\text{K})} \right)$

Thermal conductance $C = \frac{1}{R} \left(\frac{(\text{Btu})}{(\text{ft}^2)(\text{hr})(^\circ\text{F})} \text{ or } \frac{W}{(\text{m}^2)(^\circ\text{K})} \right)$

Example: Required to protect floor with R value of $1.19 \frac{(\text{ft}^2)(\text{hr})(^\circ\text{F})}{\text{Btu}}$.

Evaluating merit of 2 inch (57 mm) thick brick with thermal conductivity $k = 4.16 \frac{(\text{Btu})(\text{inch})}{(\text{ft}^2)(\text{hr})(^\circ\text{F})}$ on top of 1/2 inch (6.3 mm) thick mineral board that has C value of $2.3 \frac{(\text{Btu})}{(\text{ft}^2)(\text{hr})(^\circ\text{F})}$.

Step 1. Calculate the R value of each floor material

$$R_{\text{BRICK}} = \frac{\text{thickness}}{k} = \frac{2.25}{4.16} = 0.54$$

$$R_{\text{BOARD}} = \frac{1}{C} = \frac{1}{2.3} = 0.434$$

Step 2. Add the equivalent R values for each floor material

$$R_{\text{BRICK}} + R_{\text{BOARD}} = 0.54 + 0.434 = 0.974$$

Step 3. This combined R value is **insufficient** and so more protection must be provided. For example, by using 2 layers of bricks:

$$R_{\text{BRICK}} + R_{\text{BRICK}} + R_{\text{BOARD}} = 0.54 + 0.54 + 0.434 = 1.514$$

Step 4. Because this combined R value is larger than the specification, this is a sufficient method for protecting the floor area underneath the stove.

UNPACKING

1. Remove heater from carton.
2. Remove all protective packaging applied to heater for shipment.
3. Check heater for any shipping damage. If any damage is found immediately contact the manufacturer at 800-251-0001.

⚠ CAUTION: DAMAGED PARTS MAY COMPROMISE SAFE OPERATION.

- **DO NOT INSTALL INCOMPLETE COMPONENTS.**
- **DO NOT INSTALL SUBSTITUTE COMPONENTS.**
- **DO NOT INSTALL DAMAGED COMPONENTS.**

4. Some components are packaged unattached from the stove in order to ensure their safety during shipping. Please find the protective packaging, likely inside the stove door, to proceed with assembly.

ASSEMBLY

STEP 1 - Display Panel

Insert the display panel into the top and rear of the stove. Be sure that the display panel screen is facing towards the front of the stove. Secure the screen using two of the provided screws.

STEP 2 - Display Panel Power Cord

This cord should be wrapped up near the top of the stove. Insert free end into the back of the display panel (see figure 16 on page 15). This wire should already be connected to the stove's power board. This connection can be checked behind the access plate at the bottom and rear of stove.

STEP 3 - Main Power Cord

The main power cord attaches to the stove at the exposed socket in the rear of the stove. Once any necessary assembly of the display panel screen is complete, you may briefly plug your stove in and press red power button to ON to make sure that it functions properly before proceeding with installation. Turn OFF and unplug the stove once you confirm that the display panel works.

⚠ CAUTION: DO NOT LEAVE THE STOVE PLUGGED INTO ANY ELECTRICAL SUPPLY DURING ASSEMBLY OR INSTALLATION.

STEP 4 - Firepot

With the stove unplugged from any power supply, the firepot should be inserted into the stove so that it is securely positioned and also the hot surface igniter should be able to make physical contact with pellets that would be held in the firepot. See Figure 2 or 3.

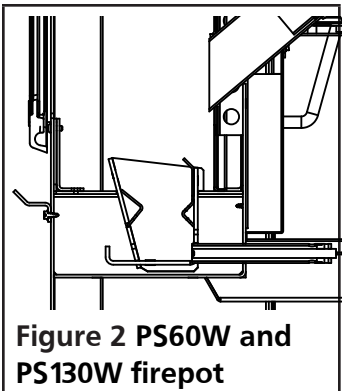


Figure 2 PS60W and PS130W firepot

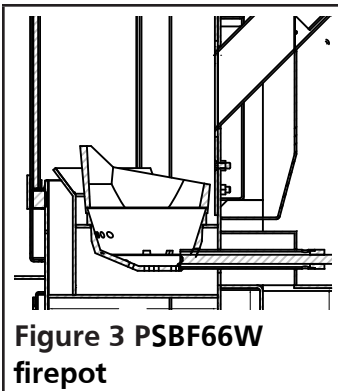


Figure 3 PSBF66W firepot

A cleaning tool is also packaged which facilitates safely cleaning the firepot perforations of debris.

STEP 5 - Air Intake Kit

Locate the air intake kit packaged with the stove. See Figure 4. Take measurements of your space and plan for the installation of horizontal venting to the outside as may be required per recommendations in "FRESH AIR AND VENTILATION REQUIREMENTS 1" on page 9. Follow all ventilation requirements and guidelines specified in "INSTALLATION" on page 8.

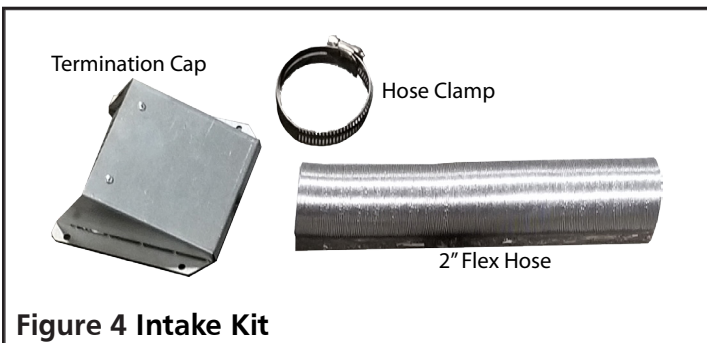


Figure 4 Intake Kit

Additional Assembly PS60W, PS130W

- The door handle: open the door, and screw the plastic grip onto the thread of the handle.



Figure 5 Door Handle

INSTALLATION

CONTACT INFORMATION

If you have any questions regarding ventilation options of your stove, contact either:

The manufacturer Mr. Heater Company at 1-800-251-0001 • Mr. Heater.COM Our office hours are 8:00 AM – 5:00 PM, EST, Monday through Friday.

The National Fire Protection Association (NFPA) and request a copy of the latest editions of NFPA Standard 211. The mailing address of the NFPA is Batterymarch Park, Quincy, MA 02269.

⚠ WARNING: WHEN THIS STOVE IS NOT PROPERLY INSTALLED, A HOUSE FIRE MAY RESULT. TO REDUCE THE RISK OF FIRE, FOLLOW THE INSTALLATION INSTRUCTIONS. CONTACT LOCAL BUILDING OR FIRE OFFICIALS ABOUT RESTRICTIONS AND INSTALLATION INSPECTION REQUIREMENTS IN YOUR AREA.

⚠ CAUTION: ANY DEVIATION OR ALTERATION FROM THESE INSTALLATION INSTRUCTIONS MAY RESULT IN DAMAGE TO YOU, THE STOVE, YOUR CHIMNEY, AND YOUR HOME. YOUR WARRANTY MAY BECOME VOID. READ AND FOLLOW ALL INSTRUCTIONS. Contact Cleveland Iron Works with any comments, concerns, or questions.

⚠ CAUTION: CONTACT LOCAL BUILDING OR FIRE OFFICIALS ABOUT RESTRICTIONS AND INSTALLATION INSPECTION REQUIREMENTS IN YOUR AREA.

PLANNING

Make sure that you have selected the correct stove for your heating requirements by checking the specifications table on page 3.

Take measurements of your space and plan for your chimney system as detailed in the following instructions.

This stove may be installed for use in a mobile home. In addition to the following instructions, review and adhere to the mandatory requirements on page 11.

ELECTRICAL CONSIDERATIONS

The rear of the stove will need to be within power cord distance, which is roughly 80 inches (203 cm), of an electrical outlet. Lay the power cord out such that it will not come into contact with the stove's surface.

FRESH AIR AND VENTILATION REQUIREMENTS

When deciding the location of the stove ensure that the space will always have a source of fresh air available. Failure to do so may result in air starvation of other fuel burning appliances and the possible development of hazardous conditions.

Provision for outside combustion air may be necessary to ensure that fuel-burning appliances do not discharge products of combustion into the house. Guidelines to determine the need for additional combustion air may not be adequate for every situation. If in doubt, it is advisable to provide additional air. Outside combustion air may be required if these or other indications suggest that infiltration air is inadequate:

- The wood pellet fired stove does not draw steadily, experiences smoke roll-out, burns poorly, or back-drafts, whether or not there is combustion present.
- Existing fuel-fired equipment in the house, such as fireplaces or other heating appliances, smell, do not operate properly, suffer smoke roll-out when opened, or back-draft, whether or not there is combustion present.
- Any of the above symptoms are alleviated by opening a window slightly on a calm (windless) day.
- The house is equipped with a well-sealed vapor barrier and tight fitting windows and/or has any powered devices which exhaust house air.
- There is excessive condensation on windows in the winter.
- A ventilation system is installed in the house.

Additional combustion air may be directly provided from the outdoors to the wood pellet fired stove by using the included air intake kit to connect to the inlet at the bottom and rear of the stove. Any such installation must satisfy Clause 4 of CSA Standard B365.

⚠ CAUTION: NEVER DRAW OUTSIDE COMBUSTION AIR FROM:

- A WALL, FLOOR OR CEILING CAVITY.
- AN ENCLOSED SPACE SUCH AS AN ATTIC, GARAGE OR CRAWL SPACE.

⚠ CAUTION: IF USING AN AIR INTAKE CONNECTION THEN THE STOVE MUST BE INSTALLED SUCH THAT IT IS ATTACHED TO THE STRUCTURE.

ADDITIONAL VENTING REQUIREMENTS

A minimum 6 feet of total vent pipe (not including elbows) must be utilized.

- Use 3" vent pipe for the entire system OR a 4"/6" adapter may be used on the exhaust immediately as it leaves the stove.
- If the system is above 16 feet, use 4" vent pipe.
- Minimum amount of vertical pipe is 4 feet and a 45 degree / vent cap is required at venting termination.

IMPORTANT: Silicone seal must be added between the double walls of the terminal pipe.

CONNECTOR REQUIREMENTS AND ASSEMBLY

⚠ CAUTION: A CHIMNEY CONNECTOR SHALL NOT PASS THROUGH AN ATTIC OR ROOF SPACE, CLOSET OR SIMILAR CONCEALED SPACE, OR A FLOOR, OR CEILING. WHERE PASSAGE THROUGH A WALL, OR PARTITION OF COMBUSTIBLE CONSTRUCTION IS DESIRED, THE INSTALLATION SHALL CONFORM TO CAN/CSA-B365, INSTALLATION CODE FOR SOLID-FUEL-BURNING APPLIANCES AND EQUIPMENT

Any connector pipes or elbows should be installed with the crimped end on the stove end of the path (not the chimney cap end) and should be secured with three evenly spaced sheet metal screws.

Connectors, elbows, and chimneys should be type 'L' or 'PL' and have a 80mm, or 3 inch diameter as the flue system is based on negative pressure in the combustion chamber and a slight overpressure on the flue gas outlet. It is therefore important that the flue gas connection is fitted correctly and is airtight. It is recommended that connectors, elbows, and chimneys be at least 24 gauge, double walled, type B ventilation.

Note that bends in the exhaust path restricts air flow, reducing performance and provides a collection point for ash deposits requiring more frequent cleaning.

⚠ CAUTION: THE JOINTS OF ANY AND ALL CONNECTIONS FOR ANY VENTILATION SYSTEMS (COMBUSTION EXHAUST AND OPTIONAL INLET AIR DUCT) MUST BE SEALED WITH HIGH TEMPERATURE SILICONE.

GENERAL VENTING REQUIREMENTS

⚠ CAUTION: DO NOT CONNECT TO ANY AIR DISTRIBUTION DUCT OR SYSTEM.

⚠ CAUTION: DO NOT CONNECT THIS UNIT TO A CHIMNEY FLUE SERVING ANOTHER APPLIANCE.

⚠ CAUTION: DO NOT INSTALL A FLUE DAMPER IN THE EXHAUST VENTING SYSTEM OF THIS WOOD PELLET FIRED STOVE.

⚠ CAUTION: DO NOT INSTALL IN ANY FIREPLACE.

This wood pellet fire stove must be connected to either of the following:

- Class A listed chimney complying with the requirements for Type HT chimneys in the Standard for Chimneys, Factory-Built, Residential Type and Building Heating Appliance, UL 103.
- A International Conference of Building Officials (ICBO) standards for solid fuel Stoves code-approved masonry chimney.

VENT TERMINATION

- Install exhaust vent at clearances specified by the vent manufacturer.
- Install exhaust vent terminations at clearances specified by the vent manufacturer.
- If using the air intake kit, ensure that there is at least 12 inches clearance between the exhaust vent termination and the intake air inlet.
- It is recommended to keep at least 12" (30.5 cm) of clearance between any vent termination and windows, doors, or outside corners.
- Use silicone to create an effective vapor barrier at the location where the chimney or other component penetrates to the exterior of the structure.
- For additional requirements check local codes.

Any vertically terminated chimney systems must meet the following minimum requirements:

- Must be at least 15 feet (4.6 m) tall, measured from the top of the stove to the tip of the chimney cap.
- Must be at least 3 feet above the roof, measured from the highest point of contact with the roof and the tip of the chimney cap.
- Must be at least 2 feet (61 cm) above the highest point of the slope of the roof within 10 feet (305 cm) horizontally.

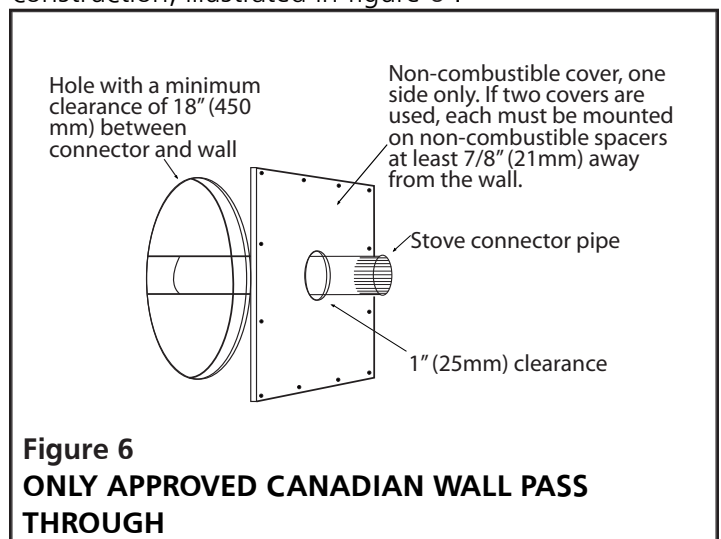
Any horizontally terminated chimney systems must meet the following minimum requirements:

- Must have at least 12" (30.5 cm) clearance above grade, veranda porch, deck or balcony (including vegetation and mulch).

PASSING THROUGH A WALL

Where passage through a wall or partition of combustible construction is desired, the installation shall conform to chimney manufacturer's instructions.

NOTE: In Canada, installation must conform to CAN/CSA-B365 when passing through combustible construction, illustrated in figure 6 .



NFPA 211 (US ONLY) APPROVED WALL PASS THROUGH TECHNIQUES

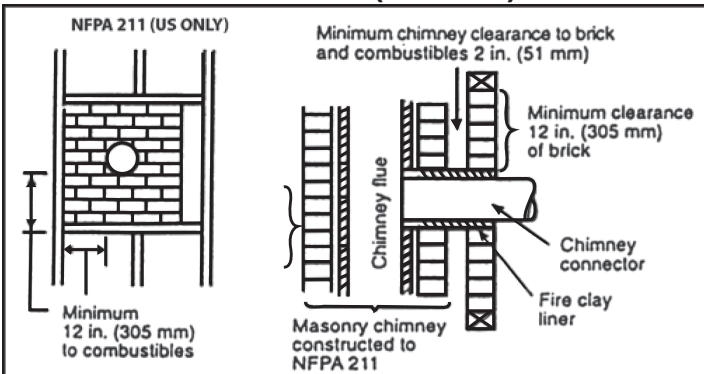


Figure 7 (US ONLY)

Brick Masonry: Minimum 3.5 inch (89 mm) thick brick masonry all framed into combustible wall with a minimum of 12 inch (305 mm) brick separation from clay liner to combustibles. The fireclay liner shall run from outer surface of brick wall to, but not beyond, the inner surface of chimney flue liner and shall be firmly cemented in place.

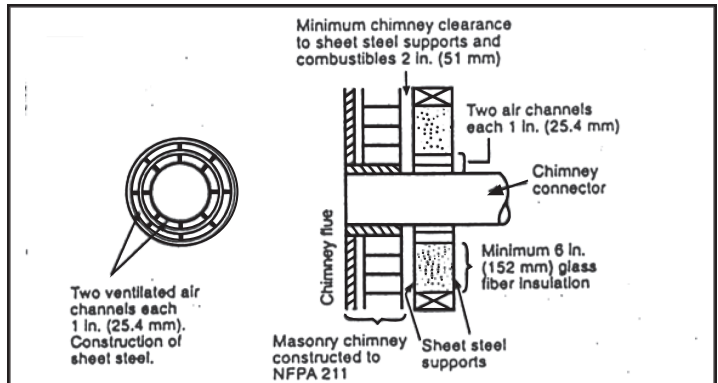


Figure 9 (US ONLY)

Ventilated Thimble: Sheet steel chimney connector, minimum 24 gauge in thickness, with a ventilated thimble, minimum 24 gauge in thickness, having two 1 inch (25.4 mm) air channels, separated from combustibles by a minimum of 6 inches (152 mm) of glass fiber insulation. Opening shall be covered, and thimble supported with a sheet steel support, minimum 24 gauge in thickness.

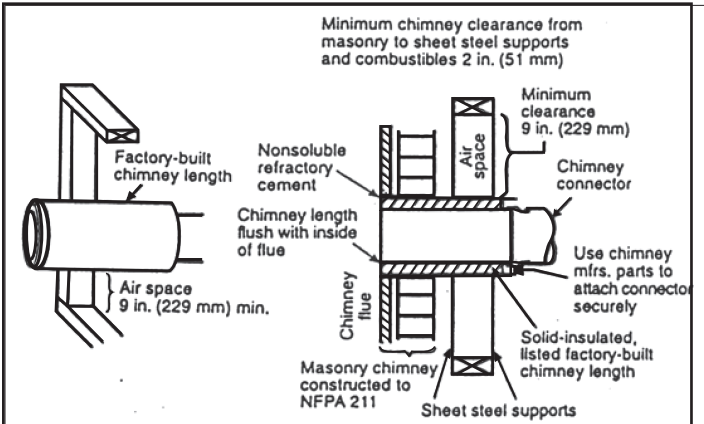


Figure 8 (US ONLY)

Insulated Sleeve: Solid-insulated, listed factory-built chimney length of the same inside diameter as the chimney connector and having 1 inch (25.4 mm) or more of insulation with a minimum 9 inch (229 mm) air space between the outer wall of the chimney length and combustibles.

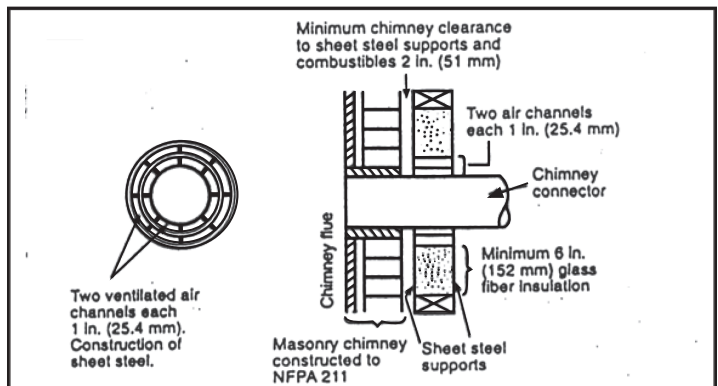


Figure 10 (US ONLY)

Chimney Section Pass-through: Solid insulated, listed factory-built chimney length with an inside diameter 2 inches (51 mm) larger than the chimney connector and having 1 inch (25.4 mm) or more of insulation, serving as a pass-through for a single wall sheet steel chimney connector of minimum 24 gauge thickness, with a minimum 2 inches (51 mm) of air space between the outer wall of chimney section and combustibles. Minimum length of chimney section shall be 12 inches (305 mm) chimney section spaced 1 inch (25.4 mm) away from connector using sheet steel support plates on both ends of chimney section. Opening shall be covered, and chimney section supported on both sides with sheet steel support securely fastened to wall surfaces of minimum 24 gauge thickness. Fasteners used to secure chimney section shall not penetrate chimney flue liner.

ADDITIONAL MOBILE HOME REQUIREMENTS

⚠ WARNING: DO NOT INSTALL IN SLEEPING ROOM.

PARTS & MATERIALS REQUIRED (NOT SUPPLIED)

- A 80mm diameter chimney which complies to UL 103, Standard for Factory-Built Chimneys for Residential Type and Building Heating Appliances.
- Ceiling thimble suitable for use in mobile home.
- Roof thimble suitable for use in mobile home.
- Spark arrestor suitable for use in mobile home.
- Roof flashing suitable for use in mobile home.

ADDITIONAL INSTALLATION REQUIREMENTS

- The chimney shall attach directly to the room heater and shall extend at least 3 feet (0.9 m) above the part of the roof through which it passes.
- The top of the chimney is to be at least 2 feet (0.6 m) above the highest required elevation of any part of the mobile home within 10 feet (3 m) of the chimney.
- All roof-chimney terminations shall be able to be readily removed at or below an elevation of 13½ feet (4.1 m) above ground level and reinstalled without the use of special tools or instructions.
- The chimney assembly shall be provided with a mechanical securement means to secure the chimney to the ceiling support box.
- Chimney Guard Requirements:
 - When the chimney exits the mobile home at a location other than through the roof, and exits at a point 7 feet (2.1 m) or less above the ground level on which the mobile home is positioned, a guard or method of enclosing the chimney shall be provided at the point of exit for a height up to 7 feet.
 - The chimney guard shall not have any openings large enough that a 3/4 inch diameter rod can enter.
 - The chimney guard shall not have any openings large enough that a 1/2 inch diameter rod can enter beyond 4 inches
- The stove must be on installed on a level surface which can support the weight of the stove.
- The stove must be bolted to the level surface so that it permanently secured and can not be moved, tipped, or have ventilation seals compromised.
- The stove must be provided a permanently ducted source of outside air to support combustion which meets the following requirements:
 - The duct must be made of metal exclusively, not other materials such as plastic.

- The end of this duct must be equipped with a screen which prevents rodents from infiltrating.
 - The end of this duct must be kept free of leaves, snow, ice, or other debris that could restrict air supply when the appliance is in operation.
- The joints of any and all connections for both of ventilation systems (the inlet air and the combustion exhaust) must be sealed with high temperature silicone.
 - The chimney must comply with all applicable codes and requirements of the authority having jurisdiction.
 - The chimney must be removed for any mobile home transportation, and reinstalled abiding all requirements after transportation.

The flue system is based on negative pressure in the combustion chamber and a slight overpressure on the flue gas outlet. It is therefore important that the flue gas connection is fitted correctly and is airtight.

⚠ CAUTION: THE STRUCTURAL INTEGRITY OF THE MOBILE HOME FLOOR, WALL, CEILING, AND ROOF MUST BE MAINTAINED.

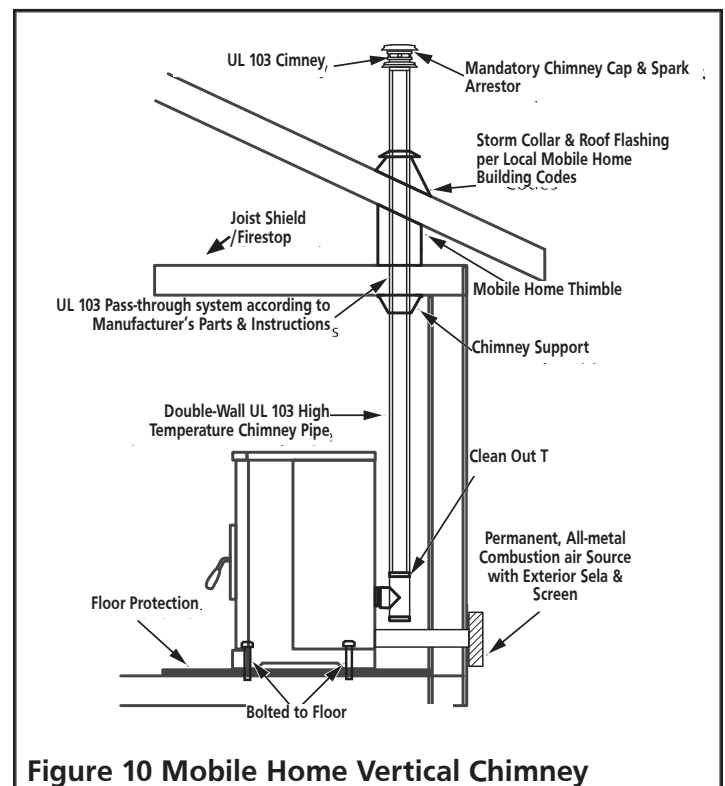


Figure 10 Mobile Home Vertical Chimney LINED MASONRY CHIMNEY INSTRUCTIONS & DIAGRAM

This stove is designed to be vented through a masonry chimney which conforms to local building codes, fire codes, and latest edition of NFPA 211 US or CAN/CSA-B365.

1. If the connection piping from the stove to a masonry chimney is made through a combustible wall, consult a qualified mason or chimney dealer for consultation. To ensure safety, the installation should only be done by a qualified installer. The installation must conform to the regulations established by local fire codes and building codes
2. The chimney connection must not be obstructed by the chimney connector pipes, such as the figure 12 below illustrates.

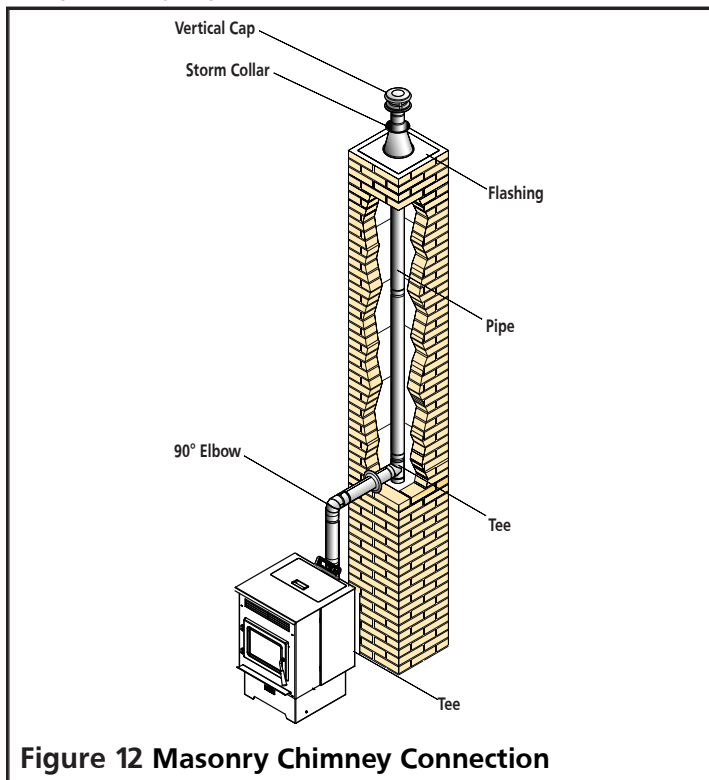


Figure 12 Masonry Chimney Connection

3. If there is an opening at the base of the chimney it must be closed tightly.

MANUFACTURED CHIMNEY INSTRUCTIONS & DIAGRAM

⚠ WARNING: DO NOT USE SINGLE-WALL CONNECTION PIPE AS A CHIMNEY.

This stove is designed to be used with either a UL 103HT (US)/ULC-S629 (CAN) listed manufactured chimney or an approved lined masonry chimney. Not all manufactured chimneys are UL103 HT/ULC-S629 listed. Home centers, hardware stores, HVAC supply stores, and the Online websites of chimney manufacturers will be able to provide stove pipe that is rated to these standards.

This listing indicates that the Chimney is rated for high temperatures up to 2100° F (1149° C).

Only use components that all come from the same manufacturer. Do not mix brands of components for the same ventilation system.

Cleveland Iron Works Wood Pellet Fire Stove

The following figures illustrate various methods and requirements of using a manufactured chimney and connection pipes to vent the stove.

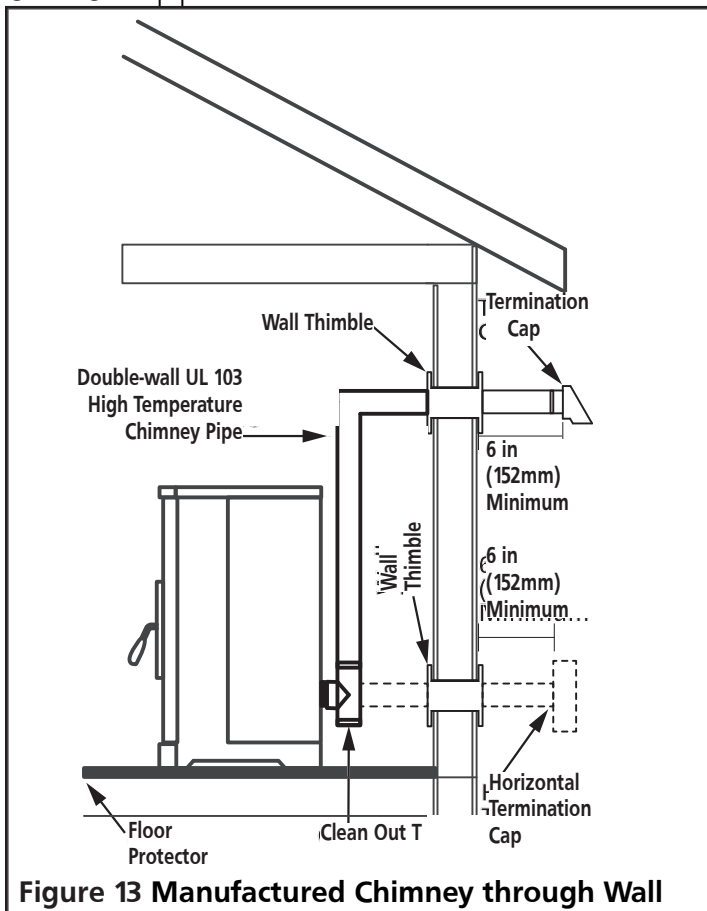


Figure 13 Manufactured Chimney through Wall

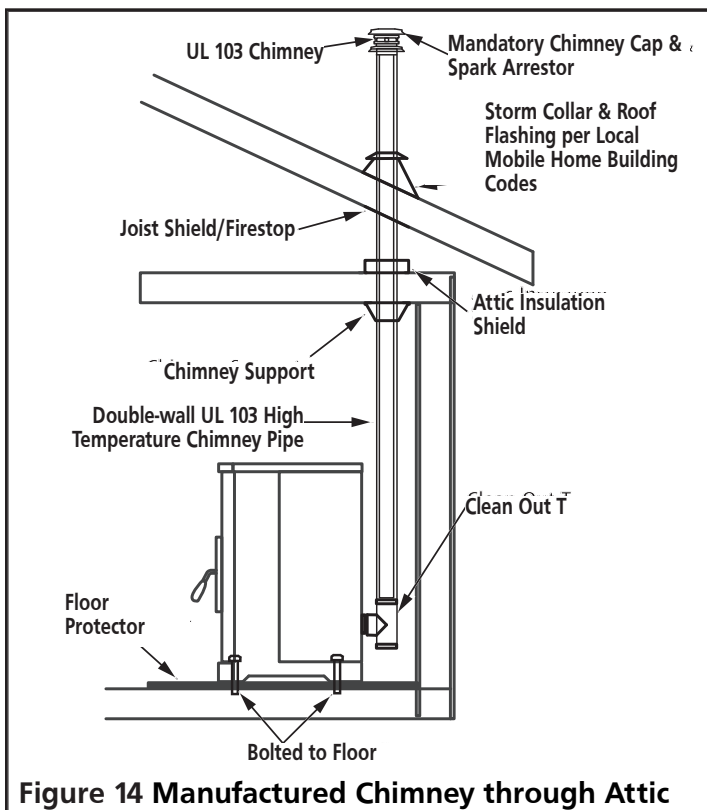


Figure 14 Manufactured Chimney through Attic

OPERATION

THEORY OF OPERATION

1. Combustion occurs in the fire pot, supported by air introduced to and under the fire pot. Note that some air blows in from the top of the combustion chamber; this helps keep ash and debris from accumulating on the door.
2. The exhaust blower draws combustion products from the stove and directs it out user-installed venting.
3. The auger transfers pellets from the hopper to the fire pot to sustain the fire.
4. A convection blower propagates air along the outside of the fire box, circulating warm and clean air into the room.

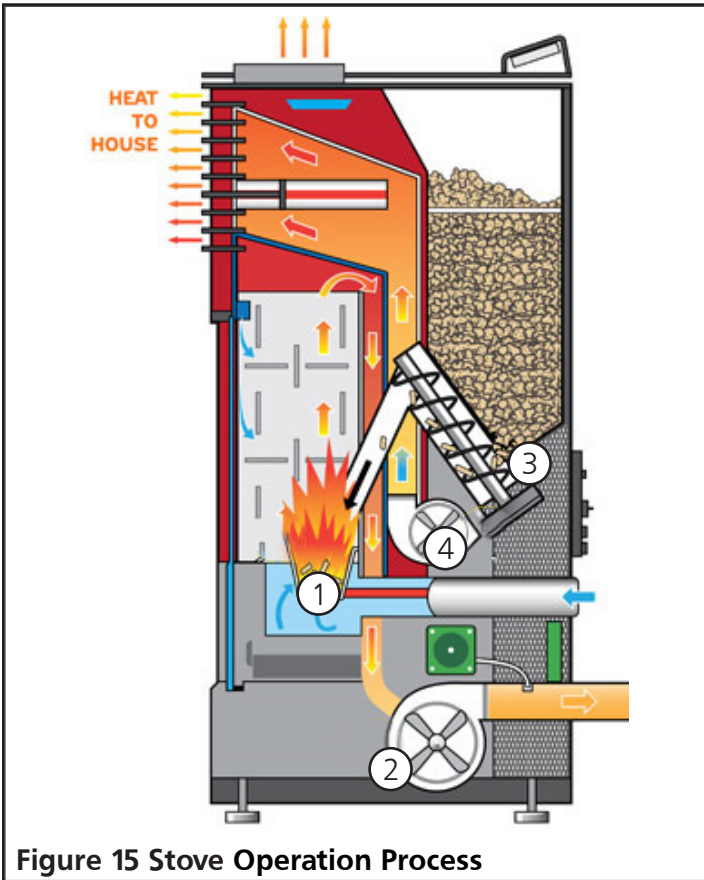


Figure 15 Stove Operation Process

APPROVED FUEL:

Do not use less than PFI premium-grade pellets. Use 100% natural hardwood pellets, untreated and without bonding agents added (max bark proportion of 5%) are the only fuel approved for use with this pellet stove. For best results see the specifications below:

- Calorific Value of 5.3 kWh/kg
- Density of 700 kg/m³
- The pellets should be low ash (less than 1 % ash)
- The pellets should be less than 30mm long, with a diameter between 5 and 6.5 mm.
- Do not use the pellet sediment & debris at the bottom of the pellet container.

Cleveland Iron Works Wood Pellet Fire Stove

- Store pellets in sacks, made of environmentally neutral or biologically degradable plastic or from paper (2-3 layers / similar to cement packaging).

Use of wood pellets that do not meet these specifications may result in ignition difficulty, accelerated creosote or flyash build up, incomplete combustion, low heat yield, and blackening of the glass in the door.

⚠ CAUTION: DO NOT USE CHEMICALS OR FLUIDS TO START THE FIRE.

⚠ CAUTION: DO NOT BURN GARBAGE OR FLAMMABLE FLUIDS SUCH AS GASOLINE, NAPHTHA OR ENGINE OIL.

⚠ CAUTION: NEVER ATTEMPT TO USE ANY OF THE FOLLOWING MATERIALS AS FUEL:

- Paper products, cardboard, or particleboard;
- Garbage;
- Animal remains or manure;
- Lawn clippings or yard waste;
- Waste petroleum products;
- Coal;
- Construction or demolition debris;
- Railroad ties or pressure-treated wood;
- Materials containing
 - asbestos
 - plastic
 - rubber (including tires)
- Petroleum products such as
 - paints
 - paint thinners
 - asphalt products

BURNING THESE MATERIALS MAY RESULT IN RELEASE OF TOXIC FUMES OR RENDER THE HEATER INEFFECTIVE AND CAUSE SMOKE

Do not store wood pellet fuel or other fire starting materials on floor protector, underneath stovepipe, or anywhere within minimum clearances from combustibile surfaces specified on page 6.

Wood pellet fuel should be stored in a dry, well ventilated area.

⚠ CAUTION: DO NOT store unused pellets in the stove for future use as they may collect moisture. Using wet or damp pellets may result in ignition difficulty, incomplete combustion, and the potential for a hopper fire.

OPERATING PRECAUTIONS

⚠ WARNING: HOT WHILE IN OPERATION. DO NOT TOUCH THE STOVE. KEEP CHILDREN, CLOTHING AND FURNITURE AWAY. CONTACT MAY CAUSE SKIN BURNS.

⚠ CAUTION: ENSURE THAT THE FIREPOT AND THE PAN UNDERNEATH ARE CLEAN AND IN THE PROPER OPERATING POSITION BEFORE USING THE STOVE.

⚠ WARNING: NEVER USE GASOLINE, GASOLINE-TYPE LANTERN FUEL, KEROSENE, CHARCOAL LIGHTER FLUID, OR SIMILAR LIQUIDS TO START OR 'FRESHEN UP' A FIRE IN THIS HEATER. KEEP ALL SUCH LIQUIDS WELL AWAY FROM THE HEATER WHILE IT IS IN USE.

PAINT CURING

To allow the paint to bond durably to the stove, start by running the stove on P1 High Power for at least 60 minutes. Provide cross ventilation to eliminate odors or smoke cause by this curing process.

OPERATING PROCEDURE: TURN ON STOVE

NOTE: If the display screen indicates that the stove is "Switching Off" the stove can not be interrupted. The Display Message will highlight to indicate that the state will not be changed. Only once the "Switching Off" cycle has finished and the exchanger has cooled can the stove be turned back on again.

1. Plug power cord into socket on the rear bottom of stove and press the red ON/OFF toggle switch above it to ON. See Figure 16.

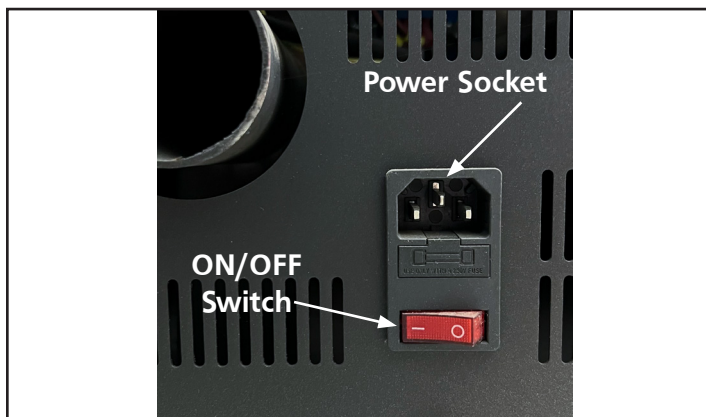



Figure 16 Power Socket/ON/OFF Switch

NOTE: TO PREVENT STOVE FROM BEING OPERATED, TURN OFF RED POWER SWITCH ON BOTTOM, REAR OF STOVE.

2. Make sure that seals on the ash drawer and door are in good condition. If the stove has never been run before, add a handful of pellets directly to the firepot. Close the ash drawer and doors securely, and check that all side panels are all properly installed.

NOTE: DO NOT USE GRATES, IRONS, OR ANY OTHER METHODS OF SUPPORTING WOOD PELLET FUEL. ONLY THE FIREPOT SPECIFIC TO YOUR MODEL OF STOVE MAY BE USED.

3. Open the hopper. Ensure that there are a sufficient number of pellets to satisfy your heating requirements. Close the hopper.

4. Depress the power button  for 3 seconds. The stove will begin to automatically progress through the following stages:

- Cleaning Cycle: The firepot draws dust, ash, & remnants out.
- Feeding Cycle: Pellets will be transported from the Pellet Hopper into the fire pot by the auger. This can take 5 to 15 minutes depending on the model of stove.
- Lighting Cycle: The electrically powered hot surface igniter will run the entire lighting cycle and for a couple minutes after the stove reaches stabilizing and begin combustion of the pellets in the firepot. The heater will remain in the Lighting Cycle until the exhaust smoke reaches a designated temperature.
- Stabilization Cycle: The heater adjusts to fine tune the stove output to the desired temperature. Stabilizing will continue until the stove reaches the thermostat desired temperature.

5. The stove has been successfully turned on.

OPERATING PROCEDURE: TURN OFF STOVE

NOTE: THE STOVE MAY BE TURNED OFF, REGARDLESS OF WHAT CYCLE THE DISPLAY SCREEN INDICATES THAT THE STOVE IS IN, BY DEPRESSING AND HOLDING THE POWER BUTTON FOR TWO SECONDS. ONCE THE DISPLAY SCREEN INDICATES THAT THE STOVE IS IN THE STABILIZATION CYCLE PRESS THE POWER BUTTON AGAIN. THE STOVE WILL ENTER THE COOLING CYCLE, STATED ON THE DISPLAY SCREEN.

⚠ CAUTION: AFTER THE COOLING CYCLE THE STOVE AUTOMATICALLY BEGINS THE PROCESS OF CYCLING ON.

1. Depress the power button for 3 seconds. The stove will begin to automatically progress through the following stages:

- Switching Off: Any remaining fuel in the firepot will continue to burn and produce heat and flame. After 5 to 8 minutes the firepot ought to be devoid of fuel. The heat exchanger may then begin to cool off.
- Goodbye: The final message from the display screen to designate that the stove has cooled.

2. The stove has been successfully turned off.

OPERATION WITH AN ELECTRICAL GENERATOR

This stove is designed to have the option of being powered by an electrical generator, though not all electrical generator's may be compatible with this stove. Consult the information regarding your generator's electrical regulator and make sure that it meets the electrical requirements of this stove, as stated on page 3.

MINIMIZING CREOSOTE FORMATION

See "MAINTENANCE" on page 20 for an explanation of Creosote formation and removal. To slow the build up of creosote within your chimney burn only the recommended fuel, see page 14.

DISPOSAL OF ASHES











⚠ CAUTION: EMBERS MAY BE OBSCURED BY ASH. HANDLE ASH WITH TOOLS SUFFICIENT FOR FIRE TENDING, NEVER DIRECTLY WITH YOUR HANDS. WEAR FIRE RETARDANT CLOTHING AND PROTECTIVE EYEWARE.

Ashes should be placed in a metal container with a tight fitting lid.

1. Other waste shall not be placed in ash containers.
2. The closed container of ashes should be placed on a noncombustible floor or on the ground, well away from all combustible materials, pending final disposal.
3. Wood mineral residue (approximately 1-2%) remains in the ash and is an excellent natural fertilizer product for all garden plants. Before disposing ashes of by burial in soil or otherwise locally dispersed, they should be retained in the closed container until all any and all cinders have thoroughly cooled and should also be "quenched" with water.

Remote Button Functionality:

The buttons on the remote controller affect the stoves operation in the same way that the mounted button do, explained below:

Remote Controller Button	Mounted Button Counterpart
	
	
	
	
	

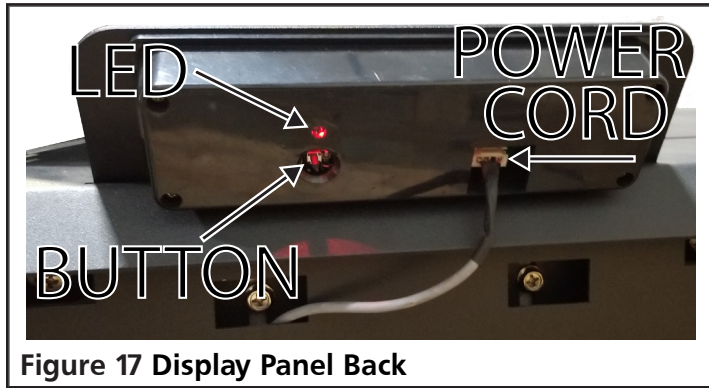
Note: There are no lights or display screen on the remote controller that can indicate to you that the button presses are being received by the stove. In order to remotely control the stove but also monitor its settings, try installing the Smart Stove app.

SMART STOVE WIFI CONNECTION

This stove can be monitored, controlled, and programmed by using the smart stove app by NHHATC which is available for iOS or android device through the app store.

- Step 1. Download the Smart Stove app by NHHATC.
- Step 2. Open the Smart Stove app. The app opens, by default, to the "Register" screen. Click on the "Register" button.
- Step 3. Enter your email address in the "Email" field and click the "Get Verification Code" button.
- Step 4. Enter the verification code that was emailed to you in the "Enter Verification Code" field.
- Step 5. Now you can set a unique password for your device in the "Set Password" field and hit the "Done" button.
- Step 6. If you have no other wifi enabled devices already added to this app there will be a large "Add Device" button in the center of the screen which you can select. Otherwise, select the + symbol in the top right of the screen.
- Step 7. Make sure that your device is connected to the wifi network which you want the stove to be connected to.
- Step 8. Make sure that the wood pellet fire stove is plugged into an electrical outlet and can be powered on.

Step 9. Follow the directions on the screen by pressing and holding the connection button for 3 seconds on the rear of the display panel as illustrated in the figure below. Once you observe the desired blinking pattern on the indicator light, press the confirmation button at the bottom of the screen.

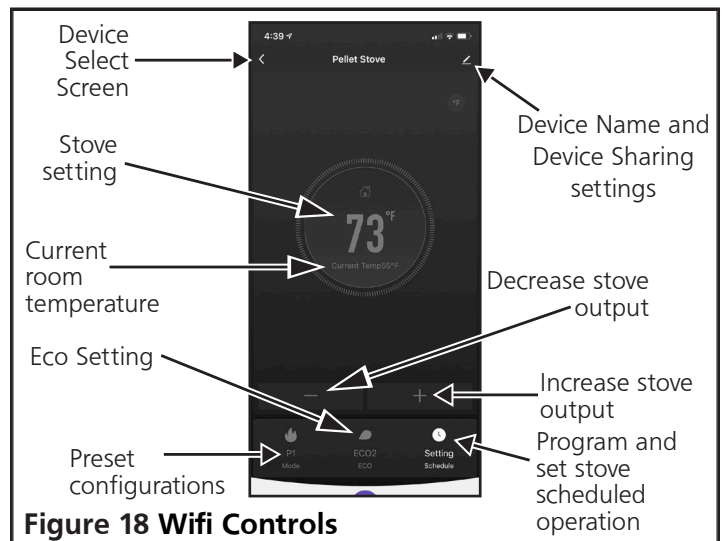
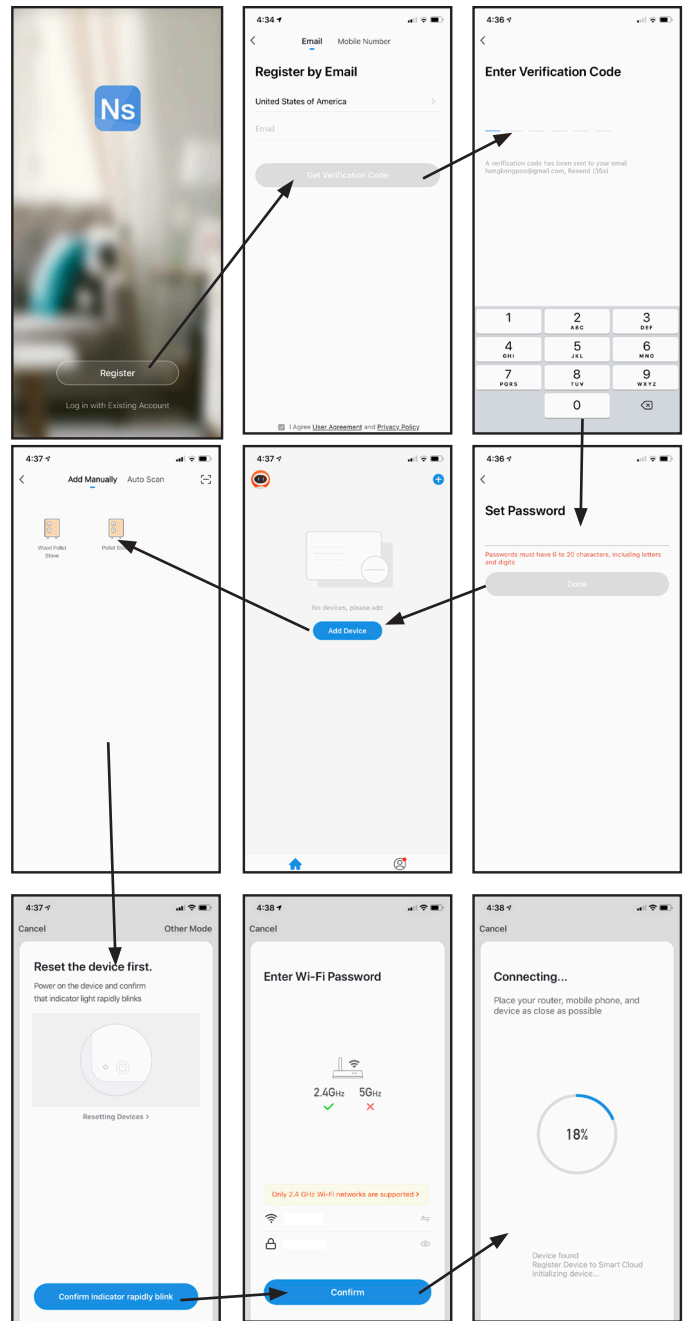


- Step 10. Enter the password for the wifi network so that the stove can connect to the wifi network.
- Step 11. The stove will begin pairing with the device running the application through the wifi network. This process may take a few minutes.
- Step 12. After the device and stove are paired, you will be able to see the pellet stove as a connection option on the “Devices” tab at the bottom of the app screen.
- Step 13. On your device, go to your device’s wifi settings which will now include the stove as an option. Select the stove as your wifi connection.
- Step 14. Open the Smart Stove phone app again.
- Step 15. You may now select this stove from this added devices list in order to monitor, control, and program the stoves operation.

WIFI CONTROLS

Once connected to the stove (See step 13 of Wifi Connection) you can remotely monitor and adjust the operation of the stove. See below for explanation:

- Device Name: it is possible to rename the stove, so that if you have multiple stoves set up for operation you can more easily differentiate between while using the smart stove application.
- Device Sharing: it is possible to share connection to the stove with other devices via SMS or email. (con’t on page 19)



PS60W, PS130W, AND PSBF66W MULTI FUNCTION CONTROLS

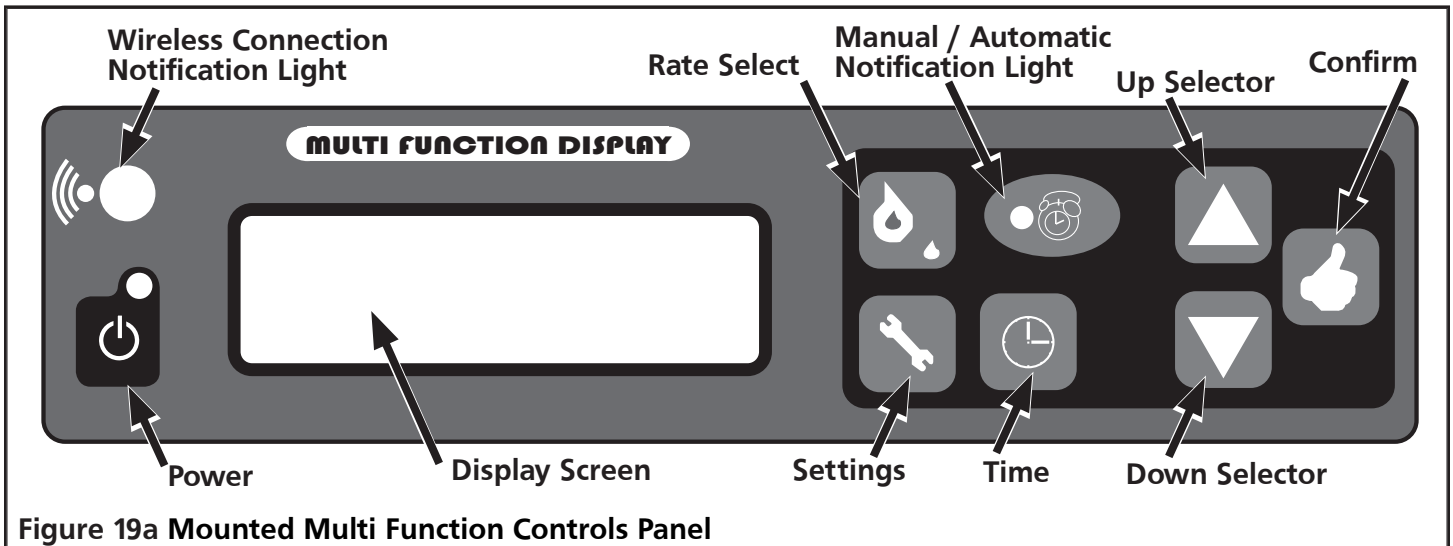


Figure 19a Mounted Multi Function Controls Panel

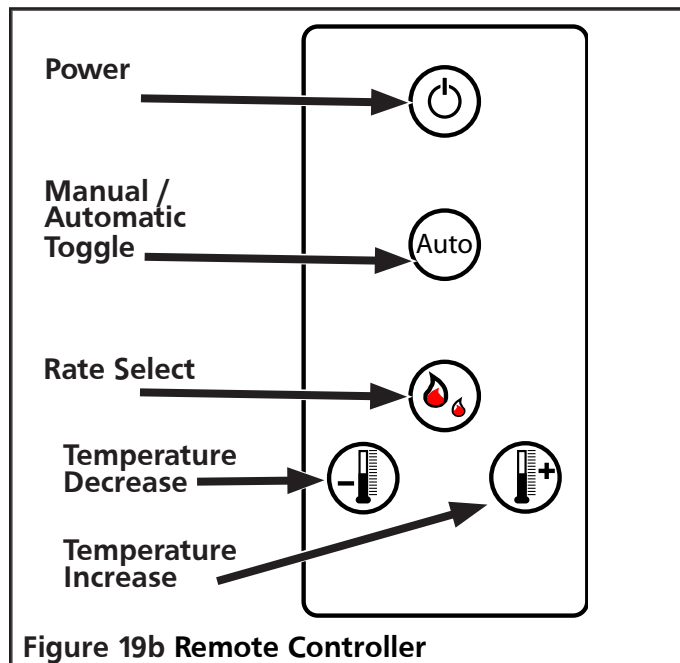


Figure 19b Remote Controller

Mounted Button Functionality: Normal Operation

- The light illuminates when the stove is plugged into an electrical supply.
- Press the power button to turn the display on for the purpose of adjusting settings. The screen will become dim after 10 seconds on inactivity.
- Press and hold the power button for 3 seconds to begin stove heating if the stove was off.
- Press and hold the power button for 3 seconds to begin stove shut off if the stove was on.

CAUTION: The manufacturer has programmed preset rates to ensure proper operation. It is not advised to reprogram rate settings.

	Press to cycle between temperature reports (in Fahrenheit) display in the top right of the multi function display screen: <ul style="list-style-type: none"> • ##(R): Room temperature • ##(S): Exhaust temperature • ##(P): Protection Temperature Sensor
	Press to increase the temperature which the stove is intended to heat the room to. This value is displayed in the top right of the multi function display screen as ##°F.
	Press to decrease the temperature which the stove is intended to heat the room to. This value is displayed in the top right of the multi function display screen as ##°F.
	Press to toggle the stove between manual control and programmed control. If the stove is in the program controlled setting then the notification light will be illuminated.
	Pressing the rate select will toggle between four configurable heating presets. The currently set preset is available in the top middle of the multi function display screen as P#. <ul style="list-style-type: none"> • P1 [Maximum Power] Settings • P2 [Medium Power] Settings • P3 [Low Power] Settings • P4 [Minimum Power] Settings
	<ul style="list-style-type: none"> • Press and hold the settings button for 2 seconds to enter the set up menu. • Press the settings button at any time to exit the set up menu.

- Eco Mode: There are two ECO settings which can be selected which will conserve wood pellets while maintaining the desired temperature. Pressing the ECO button will allow you to toggle whether a specific eco setting is enabled, or to turn off the feature entirely.
 - ECO 1: The stove shuts off when the desired temperature has been reached. The stove will turn back once the room cools to a factory set temperature.
 - ECO 2: The stove turns to minimum power preset P4 when the desired temperature has been reached. The stove will turn on to higher power settings once the room cools to a factory set temperature.
- Preset configurations: There are four selectable configurations which adjust the speeds of the combustion fan and the room air circulation fan. Pressing the preset configuration button will allow you to toggle whether a specific preset configuration is enabled, or to turn off the feature entirely.
 - P1 [Maximum Power] Settings
 - P2 [Medium Power] Settings
 - P3 [Low Power] Settings
 - P4 [Minimum Power] Settings

MANUAL STOVE OPERATION

TO ADJUST THE AUGER (PELLET DROP RATE)

1. Cycle using the Rate Select button between settings P1, P2, P3, P4. Rates are outlined below:

P1: [Maximum] pellet drop rate

P2: [Medium] pellet drop rate

P3: [Low] pellet drop rate

P4: [Minimum] pellet drop rate

Note: If necessary, press and hold the "Time" button for 2-5 seconds to get the auger to spin.

TO ADJUST THE FANS

1. Press and hold the Settings button for 2 seconds.
2. Press the Confirm button to cycle to each of the Pellet Drop Rate Settings.
3. Adjust the "S" for Venting Fan and "F" for blower fan settings using the Up and Down Selector buttons.
4. Use the Time button to switch between "S" and "F" Note: the lower the setting, the slower the fan. Only change settings by a few numbers at a time.
5. Press the Settings button to go back to home screen.

TO CHANGE THE TIME (RUNS ON 24-HOUR CLOCK)

1. Press and hold the Settings button for 2 seconds.
2. Press the Confirm button to cycle to Modify Clock.
3. Use the Time button to switch between hours and minutes.
4. Use the Up and Down Selector buttons to change the current selection.
5. Press the Settings button to go back to home.

TO PROGRAM AUTOMATIC ON/OFF

1. Press and hold the Settings button for 2 seconds.
2. Cycle through the settings using the Confirm button until days of the week are visible.
3. Use the Time button to change between days.
4. Use the Up and Down Selector buttons to adjust if you want the stove ON/OFF each day.

Note: Tall box is for ON; Short box is for OFF.

Note: Each box represents an hour of the day over a 24 hour period. The first box is 00:00 (Midnight) and the last box is 23:00 (11 PM).

5. Press the Settings button to go back to home.

CHANGING ECO MODES

1. Press and hold the Settings button until stove beeps.
2. Press (do not hold) the Confirm button seven times to cycle to the screen that reads "Eco Mode."
3. Press the Time button to switch between the selected Eco Modes.
4. Press the Settings button to go back to home screen.







ECO 1 MODE

ECO 1: The stove shuts off when the desired temperature has been reached. The stove will turn back on once the room cools to a factory set temperature.

ECO 2 MODE

ECO 2: The stove turns to minimum power preset P4 when the desired temperature has been reached. The stove will turn on to higher power settings once the room cools to a factory set temperature.

CONTROL KEY

	CONFIRM
	UP SELECTOR
	DOWN SELECTOR
	TIME
	RATE SELECT
	SETTINGS

MAINTENANCE

This wood heater needs periodic inspection and repair for proper operation. It is against federal regulations to operate this wood heater in a manner inconsistent with operating instructions in this manual.

⚠ CAUTION: TURN OFF AND UNPLUG THE STOVE FROM ANY SOURCE OF ELECTRICAL POWER TO UNIT BEFORE PERFORMING ANY MAINTENANCE OR SERVICE OPERATIONS.

⚠ CAUTION: ALLOW STOVE TO COOL DOWN BEFORE PERFORMING ANY MAINTENANCE OR SERVICE OPERATIONS.

⚠ CAUTION: DURING ANY ASSEMBLY OR DISASSEMBLY, BE WARY TO NOT DROP ANY ITEMS (SCREWS, ETC.) INTO THE PELLET HOPPER. DEBRIS CAN JAM THE AUGER AND DAMAGE THE STOVE.

The frequency which your stove's requires cleaning and maintenance depends on the fuel that you use. High moisture, ash, dust, and chips can more than double the necessary maintenance. Use only the tested and recommended wooden pellets fuel.

Clean the fire pot and fire pan every day, before using the stove and while the stove is cooled down, the stove is unplugged, and there are no embers. Use a vacuum cleaner to remove ash and debris from the fire pot, and then lift the fire pot to also clean the fire pan. It is important that ash or debris does not block any air openings.

A general cleaning schedule is as follows:

- Fire Pot: After 10 bags of wood pellets, or every day. Whichever is more frequent.
- Ash Drawer: After 50 bags of wood pellets
- Passageways: After 100 bags of wood pellets
- Blower: After 100 bags of wood pellets

IMPORTANT: Also make sure to refer to the separate Cleaning Schedule at the end of this section.

CLEANING: FIRE POT & PAN

⚠ CAUTION: IF STOVE IS INTENDED TO OPERATE CONTINUOUSLY, IT MUST BE TURNED OFF TWICE WITHIN EACH 24 HOUR PERIOD IN ORDER TO CLEAN THE FIRE POT AND FIRE PAN. ALWAYS ALLOW THE STOVE TO COOL DOWN AND ANY EMBERS TO EXTINGUISH BEFORE CLEANING THE FIRE POT AND FIRE PAN.

Make sure that you put the fire pot back onto the fire pan in the correct orientation, so that pellets can be added to the pot and successfully ignited for the next operation of the stove.

CLEANING: GLASS

⚠ WARNING: DO NOT CLEAN GLASS WHEN HOT.

Though the circulation of air across the glass reduces acidic ash build up, cleaning the glass in the stove door is still required periodically. Cleaning is necessary to prevent glass from being weakened which may increase likelihood of cracks. It is not acceptable to operate the stove with cracked or broken glass.

The best way to clean the door glass is using a damp cloth that has a smear of cool ash on it. For extra stubborn dirt, consult your local hardware store or stove specialist for a suitable cleaner.

⚠ WARNING: DO NOT CLEAN GLASS WITH ABRASIVE CLEANERS OR BY ANY OTHER PROCESS WHICH MAY SCRATCH OR DAMAGE THE GLASS.

CLEANING: OUTLET PASSAGEWAY

The outlet passageway should be cleaned at least once a year. Burning high ash pellets may require that the passageways are cleaned more frequently.



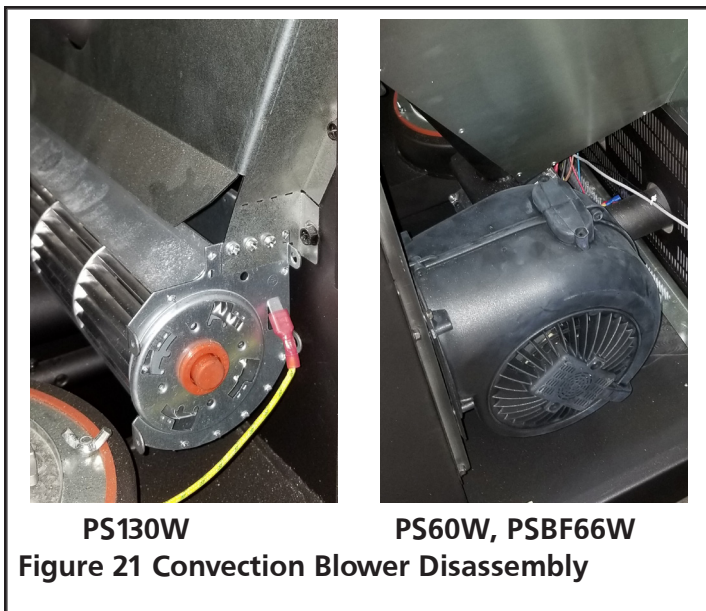
Figure 20 Outlet Duct

On each side of the stove there are two access covers that can be removed by removing the fastening screws. See Figures 21, 24 and 25. Turn off the stove, allow the stove to cool down, and unplug the stove before disassembly and cleaning. Insert a cleaning brush into the openings to loosen any ash build up and then use a vacuum cleaner to remove the loosened ash. Replace the covers and secure with the allen head screws.

There is one more opening to the outlet passageway which can be accessed by removing the ash drawer. Loosen the two 5/32" allen head screws shown in Figure 20. Rotate the covers to expose the opening. Use a cleaning brush to loosen any ash build up. Insert a cleaning brush into the openings to loosen any ash build up and then use a vacuum cleaner to remove the loosened ash. Rotate the cover back over the opening and secure with the allen screws.

CLEANING: CONVECTION BLOWER

When facing the heater, the blower motor responsible for introducing air for heating and circulation to the room is located on the right hand side. Remove or open the side panel to obtain access. Clean the convection blower as required, before using the stove and while the stove is cooled down, the stove is unplugged, and there are no embers. Take care to not damage the blower's blades during cleaning. Use a vacuum to remove any dust accumulation of the blower's blades or inside the blower duct.



PS130W PS60W, PSBF66W
Figure 21 Convection Blower Disassembly

CLEANING: EXHAUST VENT PIPE

Inspect the exhaust venting system at least once a year to determine if cleaning is necessary. During start up, shut down, and erroneous operation of the stove incomplete combustion can produce ash, soot, and creosote. To clean the exhaust venting system insert an appropriate sized cleaning brush into the pipe to loosen and remove any ash or debris build up. Build up of debris and ash can restrict the flow of gases which will affect stove performance, and failure to remove creosote may result in a dangerous chimney fire.

FLYASH - FORMATION AND NEED FOR REMOVAL

The products of combustion will contain small particles of flyash. The flyash will collect in the exhaust venting system and restrict the flow of the flue gases. Incomplete combustion, such as occurs during startup, shutdown, or incorrect operation of the room heater will lead to some soot formation which will collect in the exhaust venting system. The exhaust venting system should be inspected at least once every year to determine if cleaning is necessary. Use the appropriate sized chimney brush to remove ash and buildup from the venting.

CREOSOTE - FORMATION AND NEED FOR REMOVAL

Failure to remove creosote may result in a dangerous chimney fire.

When wood pellets burn at a low temperature they produce tar and other organic vapors, which combine with expelled moisture to form creosote. The creosote vapors condense in the relatively cool chimney flue of allow-temperature fire. As a result, creosote residue accumulates on the flue lining. When ignited this

creosote makes an extremely hot fire. The chimney connector and chimney should be inspected at least once every few months during the heating season to determine if a creosote buildup has occurred. If a significant layer of creosote has accumulated (eighth of an inch, 3 mm, or more) it should be removed to reduce the risk of a chimney fire. Use the appropriate sized chimney brush to remove ash and buildup from the venting.

Be aware that the hotter the fire the less creosote is deposited, and weekly cleaning may be necessary in mild weather even though monthly cleaning may be enough in the coldest months. Contact your local municipal or provincial fire authority for information on how to handle a chimney fire. Have a clearly understood plan to handle a chimney fire.

REPLACING: GLASS

Replacing the door glass is only permitted by replacing the entire door assembly provided by the manufacturer. See pages 32 through 34.

⚠ WARNING: SUBSTITUTING ALTERNATE MATERIAL MAY SHATTER GLASS AND CAUSE INJURY.

REPLACING: SEALING GASKETS

Over time the sealing gaskets along the glass, door, or ash drawer may lose their rigidity. These seals are essential for providing a seal which allows the stove to operate safely. Inspect the gaskets periodically, and if they become worn contact the manufacturer for information on original or equivalent gasket.

To replace the gasket:

1. Ensure that all pellets are extinguished and that the stove is cool to the touch.
2. Remove old gasket and clean the gasket gutter.
3. Apply a thin coat of high temperature gasket cement along the inside of the gasket gutter.
4. Press the beginning of the replacement gasket into the most up and most left position of the prepared gasket gutter.
5. Continue pressing the replacement gasket clockwise along the gasket gutter until it has wrapped back to where the gasket was pressed in initially.
6. Trim any excess replacement gasket away, and press the remaining end into the gutter to complete the seal.

Close the door, drawer, or ash drawer and allow 3 to 4 hours for the cement to set before operating the stove.

REPLACING: HOT SURFACE IGNITER

Ensure that the stove is off and allow it time to become cool to the touch. After gaining access to the back, undo the screw located on the back inside of the main body. Pull the hot surface igniter free, and install replacement service part. See Figure 22 and 24.

NOTE: DEPENDING ON THE MODEL OF THE STOVE, IT MAY BE NECESSARY TO REMOVE THE AUGER MOTOR IN ORDER TO SLIDE THE IGNITER OUT OF ITS HOUSING.

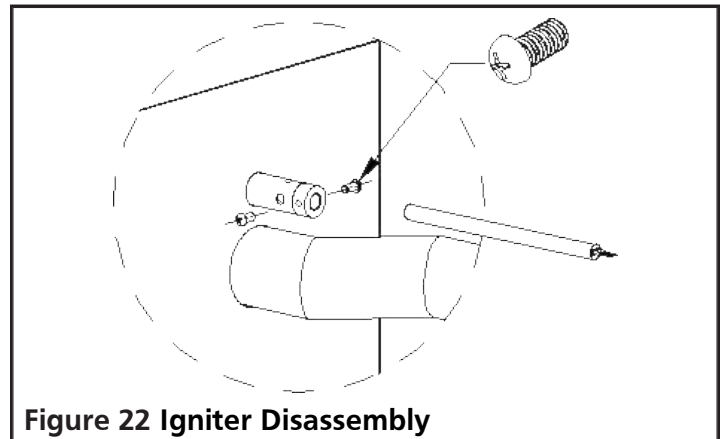


Figure 22 Igniter Disassembly

REPLACING: AUGER SYSTEM

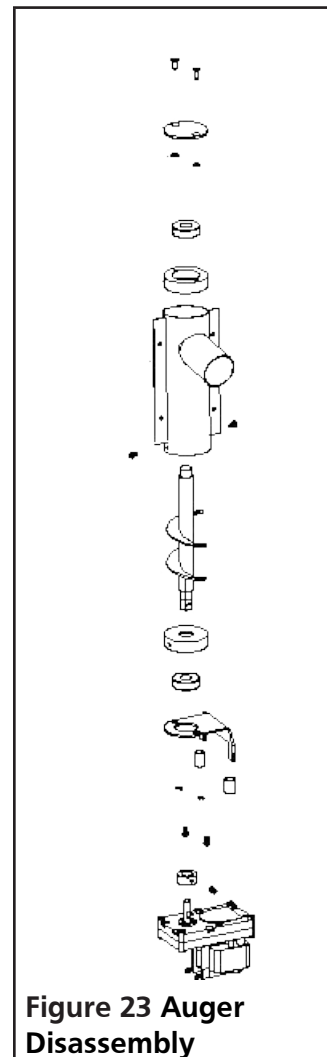


Figure 23 Auger Disassembly

Ensure that the stove is off and allow it time to become cool to the touch. After gaining access to the back, the auger can be disassembled part by part in the order indicated in Figure 23.

REMOVING BACK AND SIDE PANEL



Figure 24 PS130W Back & side disassembly

- To remove the PS130W side panels, remove the screws securing it on the rear of the heater. Then slide the panel along the side of the heater away from the front.
- To remove the PS130W rear plate, remove the 8 screws securing it at the bottom and rear of the stove.
- To remove the PS60W side panels, remove the screws securing it on the rear of the heater. Then pull the panel directly away from the heater.
- To open the side of the PSBF66W model, simply swing the side panel free of the magnetic lock.

REPLACING: HEAT EXCHANGE BLOWER

Unplug the heater. Disconnect any wiring leading to the Heat Exchange Blower. Remove the screws holding the mounting plate to the heater. Slowly remove blower and replace with new one. Replace screws and wiring.

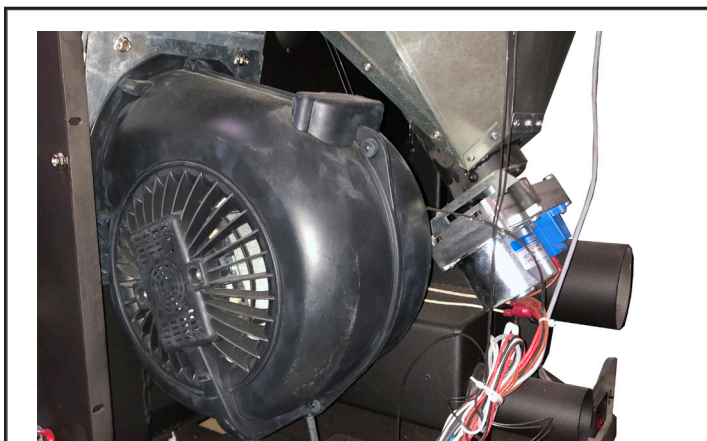


Figure 25 PSBF66W Heat Exchange Blower

REPLACING: EXHAUST BLOWER

Unplug the heater. Disconnect any wiring leading to the Exhaust Blower. Remove the wing nuts holding the Exhaust Blower plate to the blower housing. Slowly remove blower and replace with new one. Replace wing nuts and wiring.

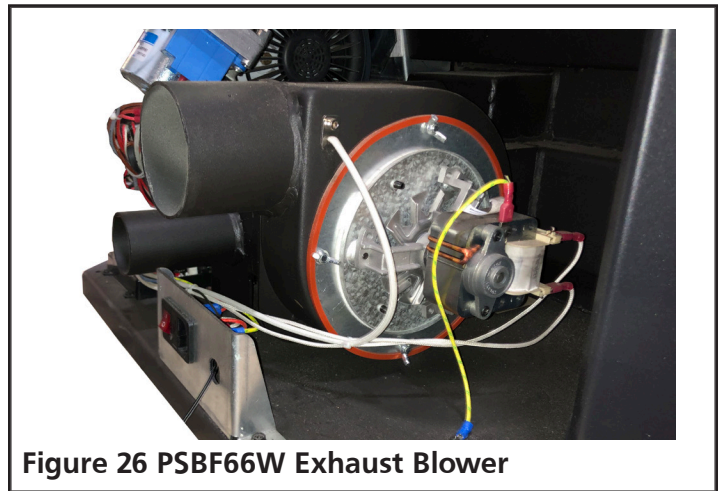


Figure 26 PSBF66W Exhaust Blower

SAFETY COMPONENTS

1. Vacuum Pressure Switch: A safety vacuum switch is located behind the left door, fastened to the base. If a low pressure is created in the firebox by a leak, opening the door to the firebox, a blocked flue, or an unsealed ash drawer then the switch will shut the stove off as a precaution. Error code E5 will appear on the display panel.
2. High Limit Thermostat: A high temperature limiter is installed on the bottom of the hopper. If this sensor is exposed to temperatures higher than 185° F then the stove is shut off.
3. Vent Pipe High Temperature Thermostat: A high temperature limiter is installed on the vent pipe. If this sensor is exposed to temperatures higher than 104° F then the circulation fan blower is switched on.
4. Vent Pipe Low Temperature Thermostat: If the stove cools below a minimum temperature the stove will switch off. This may occur when the operating procedure fails to quickly and sufficiently heat the stove.
5. Fuse: A fuse on the rear of the device protects the stove from power surges. See Figure 27.



Figure 27 Fuse

PELLET STOVE CLEANING SCHEDULE

DAILY CLEANING

Step 1:

Shut down the stove and let it cool completely.

Step 2:

Grab your ash vacuum to remove ash and debris from the firepot and surrounding area, as well as any piles of ash or debris that you see.

Step 3:

Lift up and remove firepot – be certain this area is clear of debris. Vacuum under the firepot, taking special care to vacuum the airway under the firepot.

Step 4:

Grab your cleaning tool and move to the firepot. Scrape any debris out of the firepot, making sure that all of the holes in the firepot are free from any buildup.

Step 5:

Wipe down the glass. Never clean the glass with cool water or cleaner when the glass is still warm, since this can cause the glass to crack. The method we recommend requires a damp paper towel or cloth. Dab it on to cooled ashes and then wipe down the glass starting from the top.

Step 6:

Certain models have ash drawers. It is a good idea to empty it every time you clean your stove. You can use an ash vacuum to clean the ashes out of the drawer.

Step 7:

The mini models have cleaning rods. Your cleaning rods should be used daily after the stove has cooled down. These are cleaning inside of the exhaust where ash and debris can build up. When too much build up occurs your stove will not have the proper amount of airflow.

WEEKLY CLEANING

Step 1:

Recommend letting the stove run out of pellets so the hopper is empty. Vacuum out the hopper. Clean any dust out of the hopper and inspect your auger.

Step 2

The medium and large models have flue plates. Remove the center flue plate by sliding it up. After the center flue plate is slid up and out you can remove the left and right plates. Vacuum and brush off the flue plates, scrape away any clinkers and build-up. Check the walls behind the flue plates for any debris. Be sure to vacuum behind the flue plates as well.

Step 3:

If equipped, remove the ash drawer and vacuum out the drawer. Then brush and scrape away any slag and build up. Make sure the area under the drawer is also clean.

Step 4:

Inspect auger chute. If you notice any build-up of creosote or pellet dust, clean the chute with a wire brush.

EVERY OTHER WEEK

Go outside, and visually inspect the termination cap on the exhaust. Make sure animals are not trying to make it their home and check for any buildup of ash on the grate.

AT LEAST ONCE A MONTH

Step 1:

Use a cleaning brush to clear out the air inlet, located beneath the fire pot going towards the back of the stove; exact placement and size will vary from model to model.

Step 2:

For the Medium and Large models with the flue plates, the exhaust port is behind a flue plate, left of the firepot. Be sure to clean that with a wire brush and vacuum.

Step 3:

Use a cleaning brush to clear out the air exhaust ports in your burn chamber. The number of exhaust ports varies from model to model.

For the Mini models: There are four exhaust ports at the top of the burn chamber.

For the Bayfront models: There are two exhaust ports on the top of the burn chamber.

Verifying they are clear will ensure optimal airflow in the chamber.

EVERY TWO (2) TONS OF PELLETS, OR EVERY OTHER MONTH

Inspect the clean out tee. Remove any ash that has built up and reseal the connection if necessary.

ANNUALLY

- It is important to remove the combustion fan, use a wire brush on creosote, and vacuum debris. This is important for under the fan and on the fan itself. When you remove the combustion fan, if the gasket is torn you can remove the gasket and use red RTV high temperature silicone to make a new gasket for the fan.
- You may need to remove the pipe from the back of your stove and use a wire brush and vacuum to clean that as well.
- It may be necessary to hire a chimney sweep to clean out your venting system regularly. You must take special care with elbows as they can build up creosote more than straight pipes.
- It is also a good idea to clean your inlet duct yearly as well.


For the Mini models: It is located behind the right-hand side panel. There is an air inlet cover that must be removed, and the airway should be cleaned. If the gasket gets torn or damaged a new one can be made with red RTV.

For the Bayfront models: The airways have an opening behind the ash drawer. The ash drawer will need to be removed completely, and the covers can be removed with a 3MM Allen key. A wire brush and a vacuum can be used to clean the airways.

ERROR CODES

NOTE: IN THE EVENT OF A POWER FAILURE (ERROR CODE E7), A SMALL AMOUNT OF SMOKE MAY BE EMITTED. THIS LASTS 3 TO 5 MINUTES AND DOES NOT REPRESENT A SAFETY RISK.

⚠ CAUTION: IF OVERHEATING HAS OCCURRED (ERROR CODES E5 AND E6), THEN AN INSPECTION, MAINTENANCE, AND/OR CLEANING MUST OCCUR BEFORE THE STOVE CAN SAFELY BE OPERATED AGAIN.

After following the suggested solution steps, press the confirm button  to clear the error code from the error code from the multi function display screen. Then go through the operation procedure specified on page 15 to restart the heater.

ERROR CODE	CAUSE	SOLUTION
E1	Exhaust temperature is below 40 - 45 °C Operation has been interrupted and the fire has been discontinued.	<ol style="list-style-type: none"> 1. Check that the pellet hopper has fuel. 2. Check that the auger motor is not damaged and is able to fill the firepot with fuel.
E2	Failure to ignite the fuel in fire pot.	<ol style="list-style-type: none"> 1. Check that there are no "clinkers" (glass like lumps of various sizes formed by debris exposed to high heat, more common when using low quality fuel) in fire pot. 2. Check that the firepot is sitting in the holder correctly and that the igniter is not obstructed. 3. Check that the exhaust gas temperature sensor switch, beside the combustion fan, is not broken. 4. Check that the igniter is not broken.
E5	Low pressure detected at the vacuum switch (refer to exploded view).	<ol style="list-style-type: none"> 1. Check that the door, and ash drawer if present, has been closed properly. 2. Check that there is nothing obstructing the exhaust duct nor that the duct is leaking. 3. Check that the combustion fan is not broken.
E6	Failure at the high temperature sensor (located below the pellet hopper).	<ol style="list-style-type: none"> 1. Check that the switch is not broken. 2. The temperature of the sensor is too high. The stove is not running properly. Call customer service.
E7	Power failure.	Press the Confirm button to clear the error code. Then restart the stove. You may chose to skip directly into the stabilization cycle by depressing and holding the rate selector button for 3 seconds.
ESC1	Short circuit at temperature sensor #1 (Exhaust)	<ol style="list-style-type: none"> 1. Check wires and connection points. 2. Contact Tech Support for assistance.
ESO1	Open circuit at temperature sensor #1	<ol style="list-style-type: none"> 1. Check wires and connection points. 2. Contact Tech Support for assistance.
ESC2	Short circuit at sensor #2, hopper temperature	<ol style="list-style-type: none"> 1. Check wires and connection points. 2. Contact Tech Support for assistance.

ERROR CODES CONTINUED

ESO2	Open circuit at temperature sensor #2	1. Check wires and connection points. 2. Contact Tech Support for assistance.
ESC3	Short circuit at room temperature sensor (#3)	1. Check wires and connection points. 2. Contact Tech Support for assistance.
ESO3	Open circuit at temperature sensor #3	1. Check wires and connection points. 2. Contact Tech Support for assistance.

TROUBLESHOOTING

SYMPTOM	CAUSE	SOLUTION
Heater does not turn on.	Power Switch turned off.	Turn on power switch.
	Power Cord disconnected.	1. Press power cord tightly into the heater 2. Ensure that the wall socket is delivering 120 Volts.
	Fuse is blown.	Replace the fuse.
The blower does not turn on during Cleaning Cycle, Feeding Cycle, or Lighting Cycle.	This is normal.	There is no problem, the blower does not turn on until the stabilization cycle.
The blower does not turn on during Stabilization Cycle.	No power in stove or in control panel.	Check the power and wires.
	Mother board disconnected.	Make sure all terminals to mother board are connected.
	Low Temperature sensor is broken.	Replace the low temperature sensor.
During operation, including the Lighting phase, the auger is not filling the firepot with pellets.	No fuel in Pellet Hopper.	Add Fuel to Pellet Hopper.
	Auger is blocked, jammed, or disconnected.	1. Unplug the unit so that it will not start suddenly and then unblock the auger. 2. Check that the auger is not blocked. If it is blocked, remove the cause of the jamming. 3. Check that the auger screw fastening the auger to the motor is secure.
Too much fuel in the firepot. The fuel can not be completely and thoroughly burned.	The feeding speed is faster than what combustion can support.	1. Increase the fan's speed to increase the rate of combustion.

TROUBLESHOOTING CONTINUED

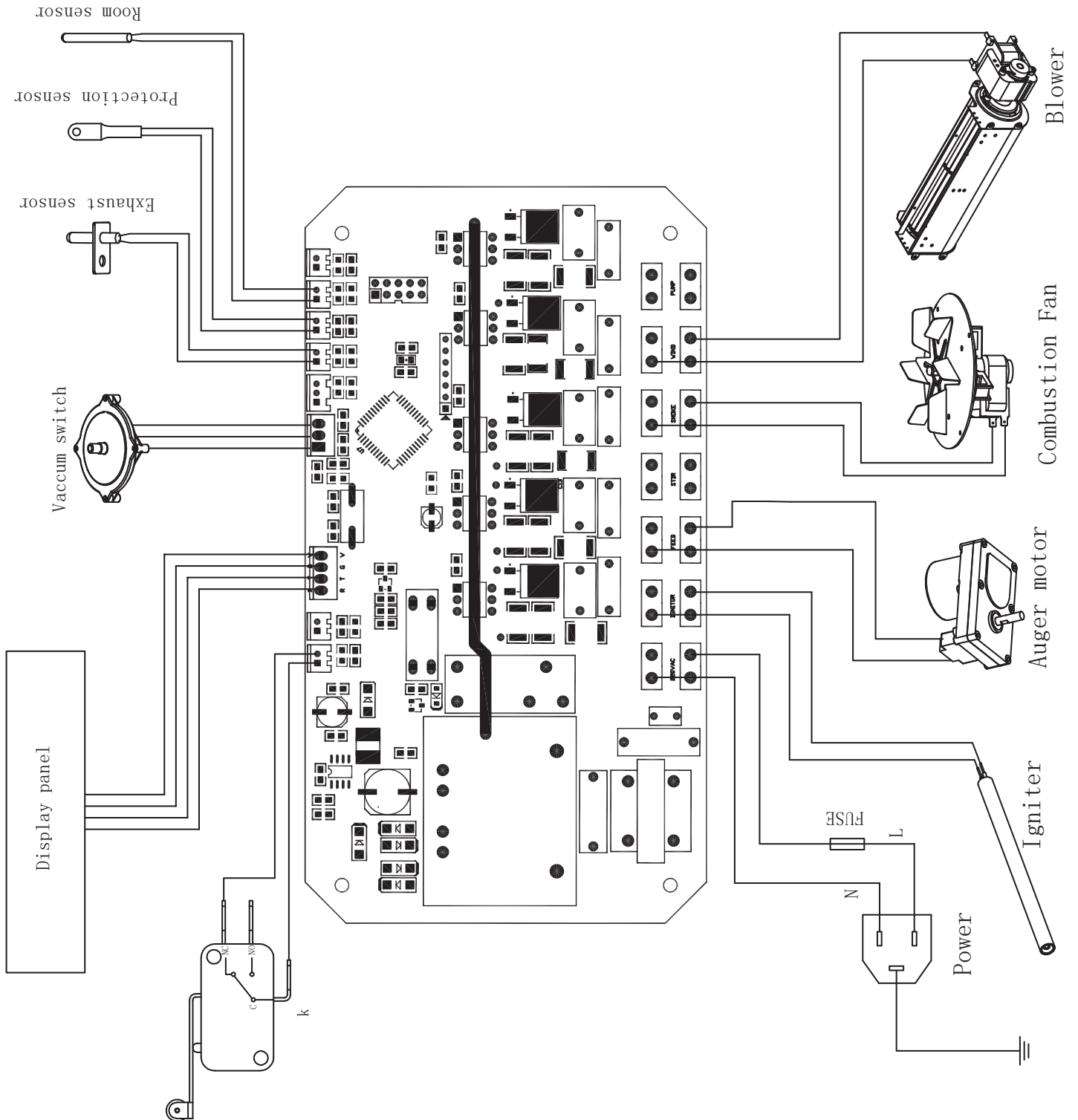
SYMPTOM	CAUSE	SOLUTION
Not enough fuel in the firepot.	The feeding speed is too low to support the rate of combustion.	1. Decrease the fan's speed to decrease the rate of combustion.
After the fire has started, the stove turns off 15 minutes later.	The pellet hopper is low on fuel.	Check that the pellet hopper has a sufficient amount of fuel.
	The auger is not operating.	1. Unplug the unit so that it will not start suddenly and then unblock the auger. 2. Check that the auger is not blocked. If it is blocked, remove the cause of the jamming. 3. Check that the auger screw fastening the auger to the motor is secure.
	The 30 ° C temperature switch has triggered.	1. Check that wires to the switch are sufficiently connected. 2. Replace the 30 ° C temperature switch.
	The pressure switch inside the stove is broken.	Replace the pressure switch.
Orange flame, pellets piling up in firepot, carbon residue forming on glass.	Insufficient air for sufficient combustion.	1. Check that the air inlet vent in the front is open. 2. Check that the door and window gaskets are intact. 3. Check if the air inlet ducting and the combustion exhaust ducting are blocked. 4. Increase the cross sectional area of the ducting. 5. Increase the fan's speed to increase the rate of combustion. 6. Contact the manufacturer for assistance.
The fire extinguishes and the power shuts off.	No fuel in Pellet Hopper.	Add Fuel to Pellet Hopper.
	Auger is blocked or jammed or disconnected.	1. Unplug the unit so that it will not start suddenly and then unblock the auger. 2. Check that the auger is not blocked. If it is blocked, remove the cause of the jamming. 3. Check that the auger screw fastening the auger to the motor is secure.
	The feeding speed is too low to support the rate of combustion.	1. Decrease the fan's speed to decrease the rate of combustion.
	The 30 ° C temperature switch has triggered.	1. Check that wires to the switch are sufficiently connected. 2. Replace the 30 ° C temperature switch.

TROUBLESHOOTING CONTINUED

SYMPTOM	CAUSE	SOLUTION
The fire extinguishes and the power shuts off (continued).	Requested temperature has been reached.	This is normal "ECO" mode behavior. The stove will automatically switch on once the ambient room temperature drops below the temperature that the stove is set to maintain.
The circulation blower continues to operate after the stove is cool and the fuel consumption has ceased.	The 30 ° C temperature switch has triggered.	<ol style="list-style-type: none"> 1. Check that wires to the switch are sufficiently connected. 2. Replace the 30 ° C temperature switch.
The stove is not circulating a sufficient volume of sufficiently hot air.	The fuel is inadequate.	Use pellet fuel specified by this manual.
	The circulating blower is set too slow or is compromised.	<ol style="list-style-type: none"> 1. If the blower is broken, change out the blower 2. If the mother board which connects to the blower is broken, change out the mother board.
	Heat exchange tubes or flue pass is dirty.	Clean the heat exchanger tubes or flue pass.

WIRING DIAGRAM

NOTE: IF ANY OF THE ORIGINAL WIRE AS SUPPLIED WITH THE APPLIANCE MUST BE REPLACED, IT MUST BE REPLACED WITH WIRING MATERIAL HAVING A TEMPERATURE RATING OF AT LEAST 105 C AND RATED FOR 600V



SERVICE PARTS MODEL PS60W

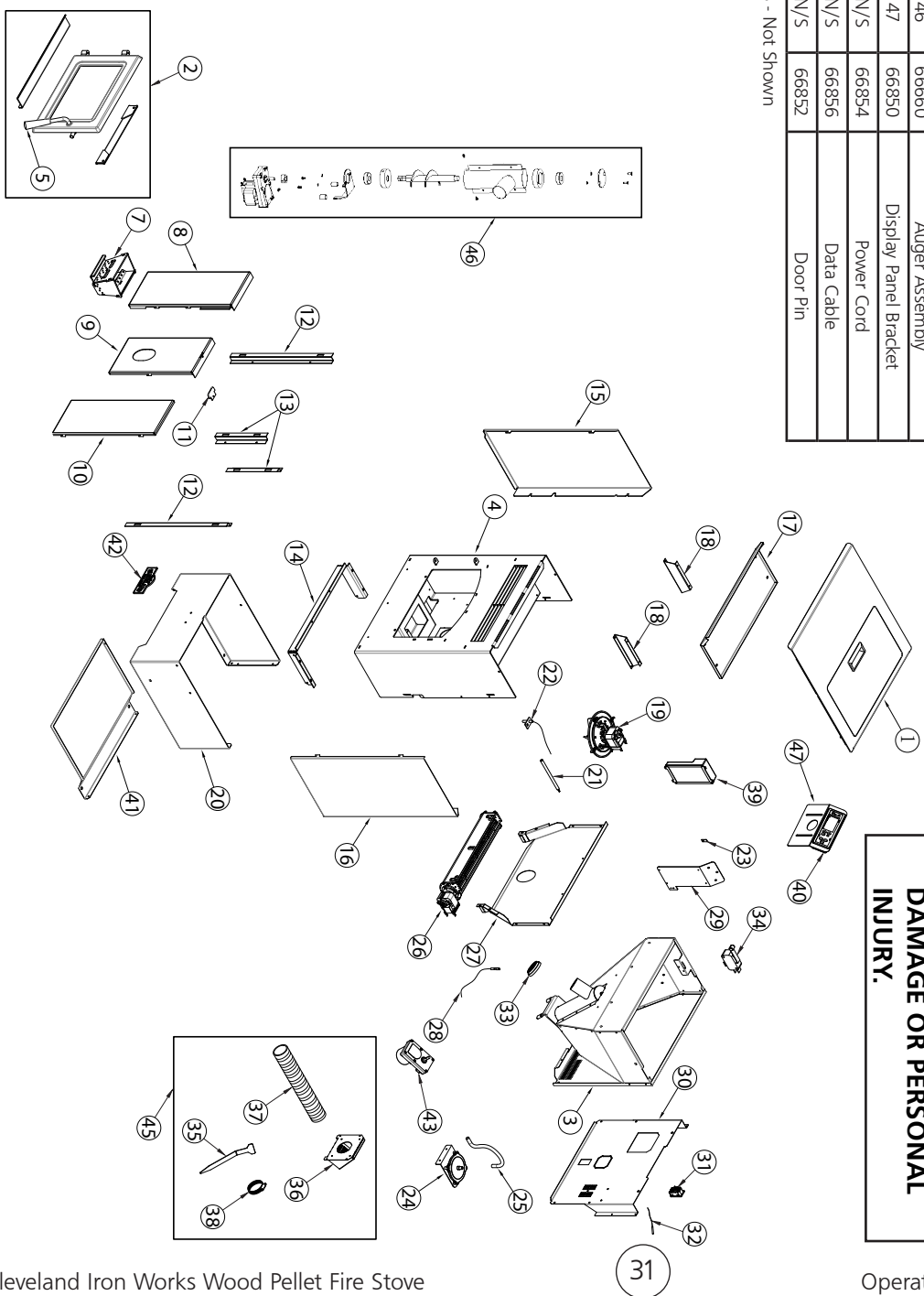
NO.	P/N	DESCRIPTION
1	66623	Top Cover
2	66624	Door Assembly
3	n/a	Hopper
4	n/a	Main Body
5	66603	Door Handle
7	66625	Fire Pot
8	66931	Flue Board-Left
9	66933	Flue Board-Middle
10	66932	Flue Board-Right
11	n/a	Upper Flue Plate
12	n/a	Flue Fixed Plate-Long
13	n/a	Flue Fixed Plate-Short
14	n/a	Pedestal Fixed Plate
15	66626	Left Side panel
16	66627	Right Side panel
17	n/a	Thermal Insulation Plate
18	n/a	Insulation Support Plate
19	66607	Combustion Blower
20	n/a	Pedestal Plate
21	66608	Igniter
22	66609	Exhaust Sensor
23	n/a	Grounding Screw
24	66628	Vacuum Switch
25	66629	Vacuum Switch Silicone Tube
26	66630	Circulation Blower
27	n/a	Chamber Insulation Cover
28	66613	Hopper Safety Sensor
29	n/a	Motherboard Fixed Plate
30	66631	Rear Cover
31	66615	Power Socket
32	66616	Room Sensor
33	66622	Silicone Rubber Sealing Ring
34	66617	Hopper Lid Switch
35	66855	Cleaning Tool (see # 45)
36	n/a	Fresh Air Intake Vent (see # 45)

NO.	P/N	DESCRIPTION
37	n/a	Aluminum Expansion Tube (see # 45)
38	n/a	Clamp (see # 45)
39	66618	Motherboard
40	66619	Display Panel
41	n/a	Inner Pedestal Plate
42	n/a	Nameplate
43	66621	Auger Motor
44	66658	Remote (not shown)
45	66659	Accessory Kit
46	66660	Auger Assembly
47	66850	Display Panel Bracket
N/S	66854	Power Cord
N/S	66856	Data Cable
N/S	66852	Door Pin

N/S - Not Shown

NOTE: NOT ALL PARTS AVAILABLE. FOR QUESTIONS CONTACT MANUFACTURER.

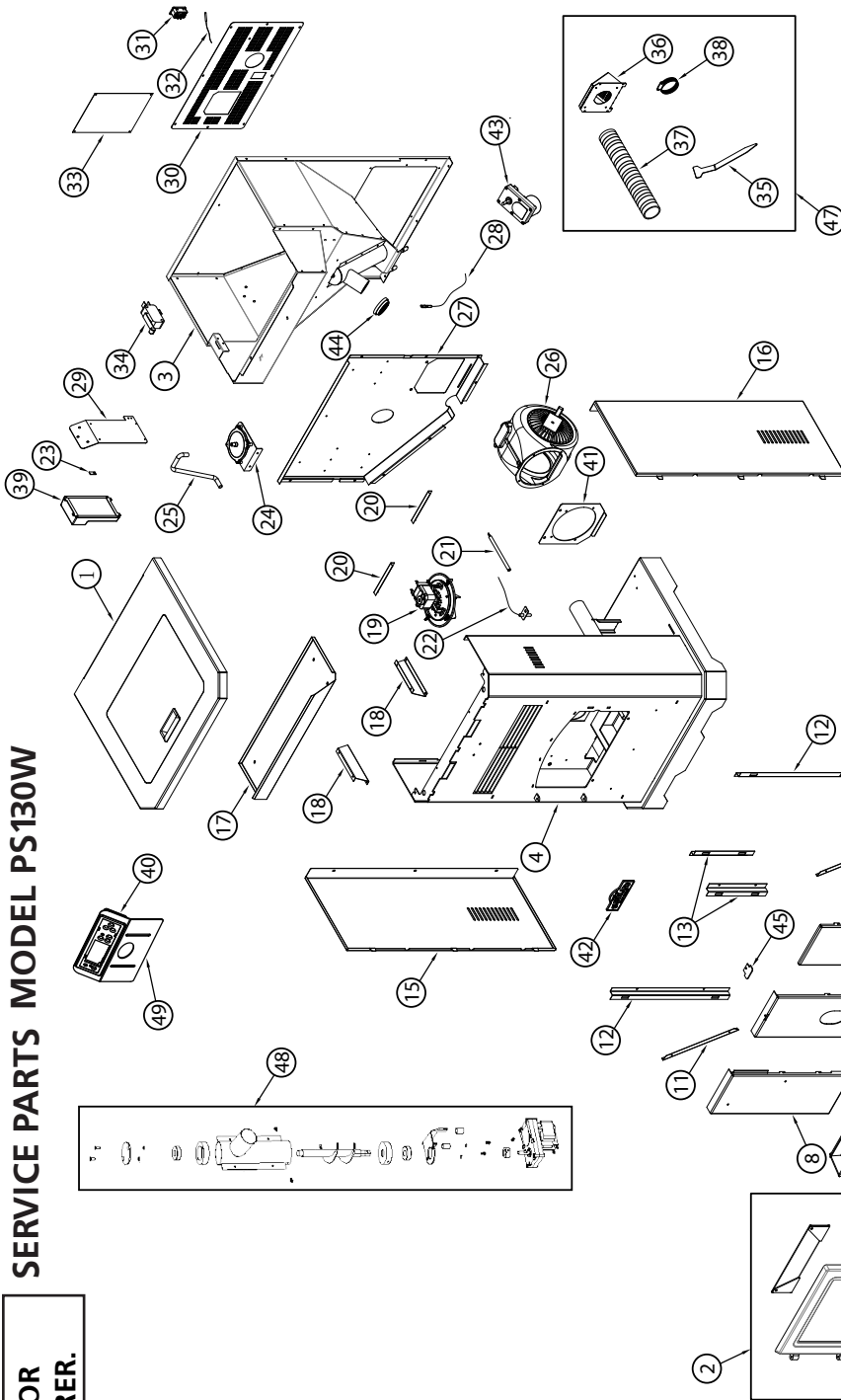
⚠ WARNING: FAILURE TO POSITION THE PARTS IN ACCORDANCE WITH THESE DIAGRAMS OR FAILURE TO USE ONLY PARTS SPECIFICALLY APPROVED WITH THIS STOVE MAY RESULT IN PROPERTY DAMAGE OR PERSONAL INJURY.



NOTE: NOT ALL PARTS AVAILABLE. FOR QUESTIONS CONTACT MANUFACTURER.

WARNING: FAILURE TO POSITION THE PARTS IN ACCORDANCE WITH THESE DIAGRAMS OR FAILURE TO USE ONLY PARTS SPECIFICALLY APPROVED WITH THIS STOVE MAY RESULT IN PROPERTY DAMAGE OR PERSONAL INJURY.

SERVICE PARTS MODEL PS130W



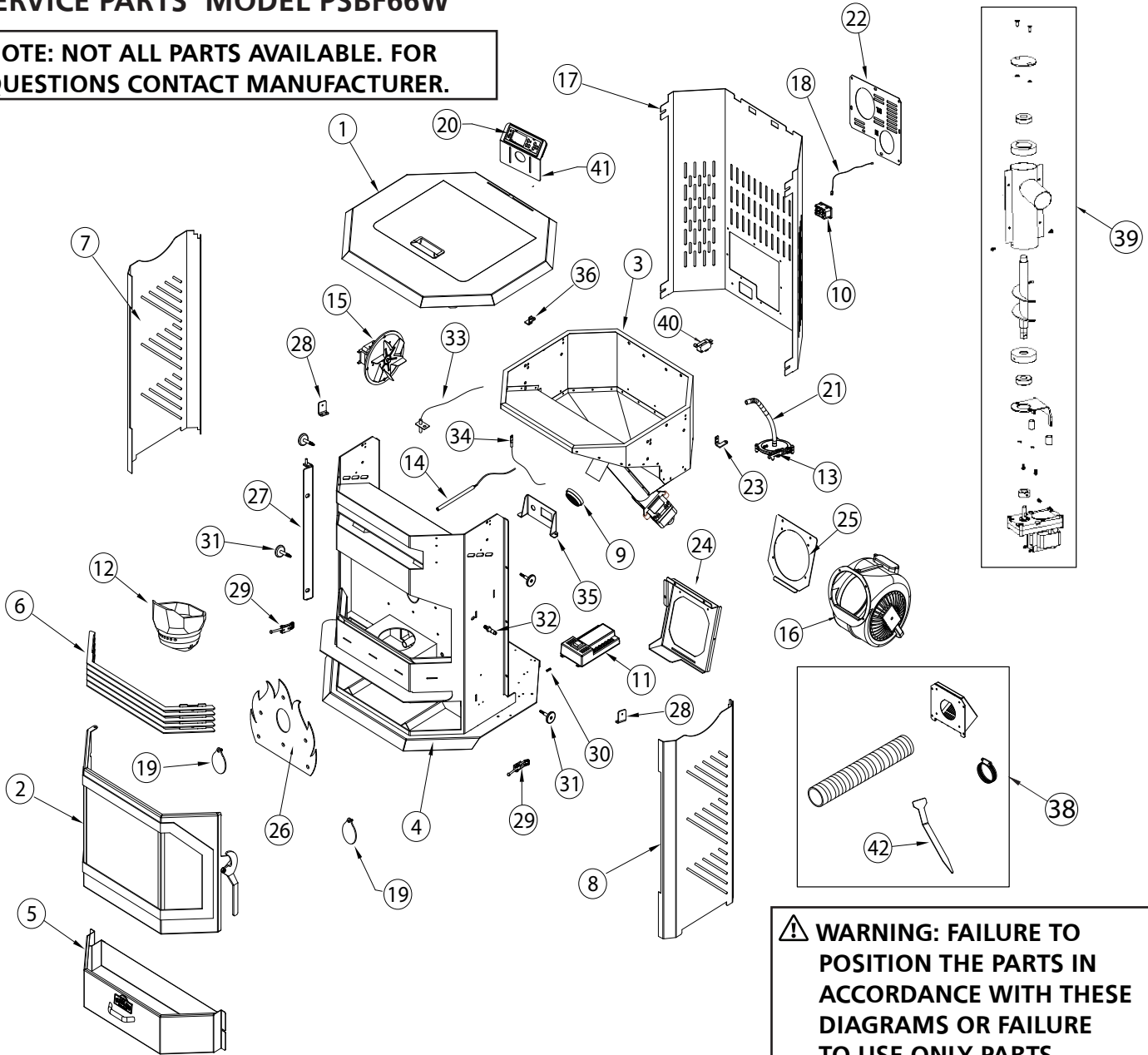
NO.	P/N	DESCRIPTION
1	66601	Top Cover
2	66602	Door Assembly
3	n/a	Hopper
4	n/a	Main Body
5	66603	Door Handle
7	66604	Fire Pot
8	66934	Flue Plate-Left
9	66862	Flue Plate-Middle
10	66935	Flue Plate-Right
11	n/a	Flue Plate Reinforcement
12	n/a	Flue Fixed Plate-Long
13	n/a	Flue Fixed Plate-Short
15	66605	Left Side Panel
16	66606	Right Side Panel
17	n/a	Thermal Insulation Board
18	n/a	Insulation Support Plate
19	66607	Combustion Blower
20	n/a	Reinforcing Plate
21	66608	Igniter
22	66609	Exhaust Sensor
23	n/a	Ground Screw
24	66610	Vacuum Switch
25	66611	Silicone Tube
26	66612	Circulation Blower
27	n/a	Chamber Insulation Cover
28	66613	Hopper Safety Sensor
29	n/a	Motherboard Fixed Plate
30	66614	Rear Cover
31	66615	Power Socket
32	66616	Room Sensor
33	n/a	Rating Label
34	66617	Hopper Lid Switch
35	66855	Cleaning Tool (see # 47)
36	n/a	Fresh Air Intake Vent (see # 47)
37	n/a	Aluminum Expansion Tube (see # 47)
38	n/a	Clamp (see # 47)
39	66618	Motherboard
40	66619	Display Panel
41	66620	Blower Fixed Plate
42	n/a	Nameplate
43	66621	Auger Motor
44	66622	Silicone Rubber Sealing Ring
45	n/a	Upper Flue Plate
46	66658	Remote (not shown)
47	66659	Accessory Kit
48	66660	Auger Assembly
49	66850	Display Panel Bracket
N/S	66854	Power Cord
N/S	66856	Data Cable
N/S	66852	Door Pin

N/S - Not Shown

NO.	P/N	DESCRIPTION
1	66601	Top Cover
2	66602	Door Assembly
3	n/a	Hopper
4	n/a	Main Body
5	66603	Door Handle
7	66604	Fire Pot
8	66934	Flue Plate-Left
9	66862	Flue Plate-Middle
10	66935	Flue Plate-Right
11	n/a	Flue Plate Reinforcement
12	n/a	Flue Fixed Plate-Long
13	n/a	Flue Fixed Plate-Short
15	66605	Left Side Panel
16	66606	Right Side Panel
17	n/a	Thermal Insulation Board
18	n/a	Insulation Support Plate
19	66607	Combustion Blower
20	n/a	Reinforcing Plate
21	66608	Igniter
22	66609	Exhaust Sensor
23	n/a	Ground Screw
24	66610	Vacuum Switch
25	66611	Silicone Tube
26	66612	Circulation Blower
27	n/a	Chamber Insulation Cover
28	66613	Hopper Safety Sensor
29	n/a	Motherboard Fixed Plate
30	66614	Rear Cover
31	66615	Power Socket
32	66616	Room Sensor
33	n/a	Rating Label
34	66617	Hopper Lid Switch
35	66855	Cleaning Tool (see # 47)
36	n/a	Fresh Air Intake Vent (see # 47)
37	n/a	Aluminum Expansion Tube (see # 47)
38	n/a	Clamp (see # 47)
39	66618	Motherboard
40	66619	Display Panel
41	66620	Blower Fixed Plate
42	n/a	Nameplate
43	66621	Auger Motor
44	66622	Silicone Rubber Sealing Ring
45	n/a	Upper Flue Plate
46	66658	Remote (not shown)
47	66659	Accessory Kit
48	66660	Auger Assembly
49	66850	Display Panel Bracket
N/S	66854	Power Cord
N/S	66856	Data Cable
N/S	66852	Door Pin

SERVICE PARTS MODEL PSBF66W

NOTE: NOT ALL PARTS AVAILABLE. FOR QUESTIONS CONTACT MANUFACTURER.



NO.	P/N	DESCRIPTION
1	66632	Top Cover
2	66633	Door
3	n/a	Hopper
4	n/a	Main Body
5	66634	Ash Pan
6	n/a	Decorative Plate
7	66635	Left Side Panel
8	66636	Right Side Panel
9	66622	Silicone Rubber Sealing Ring
10	66615	Power Socket
11	66637	Motherboard
12	66638	Fire Pot
13	66639	Vacuum Switch
14	66640	Igniter
15	66641	Combustion Blower
16	66612	Circulation Blower
17	66642	Rear Cover

NO.	P/N	DESCRIPTION
18	66643	Room Sensor
19	n/a	Flue Sealing Plate
20	66644	Display Panel
21	66645	Pressure Device Silicone Tube
22	66646	Rear Sealing Plate
23	66647	Right Side Panel Hinge
24	66648	Blower Bracket
25	66620	Blower Fixed Plate
26	n/a	Fireproof Plate
27	66649	Door Hinge
28	66650	Rear Cover Fixed Plate
29	66651	Ash Pan Lock Parts
30	n/a	Ground Screw
31	66652	Magnet
32	66653	Door, Latch
33	66654	Exhaust Sensor
34	66655	Hopper Safety Sensor

⚠ WARNING: FAILURE TO POSITION THE PARTS IN ACCORDANCE WITH THESE DIAGRAMS OR FAILURE TO USE ONLY PARTS SPECIFICALLY APPROVED WITH THIS STOVE MAY RESULT IN PROPERTY DAMAGE OR PERSONAL INJURY.

NO.	P/N	DESCRIPTION
35	66656	Socket Fixed Plate
36	66657	Left Side Panel Hinge
37	66658	Remote (not shown)
38	66659	Accessory Kit
39	66660	Auger Assembly
40	66617	Hopper Lid Switch
41	66850	Display Panel Bracket
42	66855	Cleaning Tool (see # 38)
N/S	66854	Power Cord
N/S	66856	Data Cable
N/S	66859	Door Pin

N/S - Not Shown



OPERATING INSTRUCTIONS AND OWNER'S MANUAL

Model #
PS60W
PS130W
PSBF66W

READ INSTRUCTIONS CAREFULLY: Please read this entire manual before installation and use of this pellet fuel-burning room heater. Failure to follow these instructions could result in property damage, bodily injury or even death. Do not allow anyone who has not read these instructions to assemble, light, adjust or operate the stove. Place instructions in a safe place for future reference.



WARNING:

USE ONLY MANUFACTURER'S REPLACEMENT PARTS. USE OF ANY OTHER PARTS COULD CAUSE INJURY OR DEATH. REPLACEMENT PARTS ARE ONLY AVAILABLE DIRECT FROM THE FACTORY AND MUST BE INSTALLED BY A QUALIFIED SERVICE AGENCY.

PARTS ORDERING INFORMATION:

PURCHASING: ACCESSORIES MAY BE PURCHASED AT ANY CLEVELAND IRON WORKS LOCAL DEALER OR DIRECT FROM THE FACTORY

FOR INFORMATION REGARDING SERVICE:

Please call Toll-Free 1-800-251-0001 • CLEVELAND-IRONWORKS.COM

Our office hours are 8:00 AM – 5:00 PM, EST, Monday through Friday.

Please include the model number, date of purchase, and description of problem in all communication.

LIMITED WARRANTY:

Enerco Group, Inc. (EGI) warrants Cleveland Iron Works Wood Pellet Fire Stoves to be free from imperfections in workmanship or material, at the date of manufacture. After installation, If covered components are found to be defective in workmanship or material during the applicable warranty period then the company, at its option, will repair or replace products returned by the buyer to the factory, transportation prepaid within applicable warranty period and found by the company to have imperfections in material or workmanship. The warranty period of the covered components is defined in the table below:

Components Covered	Warranty Period (Parts only, Labor not included)
Electrical	1 years
Steel parts (excluding fire pot)	5 years

If a part is damaged or missing, call our Technical Support Department at 1-800-251-0001.

Address any Warranty Claims to the Service Department, Cleveland Ironworks, Inc., 4560 W. 160TH ST., CLEVELAND, OHIO 44135. Include your name, address and telephone number, the model and serial number of your product, and include details concerning the claim. Also, supply us with the purchase date and the name and address of the dealer from whom you purchased our product.

The foregoing is the full extent of the responsibility of the Company. There are no other warranties, express or implied. Specifically there is no warranty of fitness for a particular purpose and there is no warranty of merchantability. In no event shall the Company be liable for delay caused by imperfections, for consequential damages, or for any charges of the expense of any nature incurred without its written consent. The cost of repair or replacement shall be the exclusive remedy for any breach of warranty. There is no warranty against infringement of the like and no implied warranty arising from course of dealing or usage of trade. This warranty will not apply to any product which has been repaired or altered outside of the factory in any respect which in our judgment affects its condition or operation. This warranty does not cover damage or breakage due to misuse, abuse or modifications. There is no warranty on any paint, glass, gasket or fire brick. There is no warranty on the fire pot. There is no warranty against damage caused by corrosion.

Some states do not allow the exclusion or limitation of incidental or consequential damages, so the above limitation or exclusion may not apply to you. This Warranty gives you specific legal rights, and you may have other rights which vary from state to state.

Cleveland Ironworks Inc. reserves the right to make changes at any time, without notice or obligation, in colors, specifications, accessories, materials and models.

Cleveland Ironworks Inc., 4560 W. 160TH ST., CLEVELAND, OHIO 44135 • 1-800-251-0001
Cleveland Ironworks Inc., is a registered trademarks of Mr. Heater, Inc.
© 2024, Cleveland Ironworks. All rights reserved



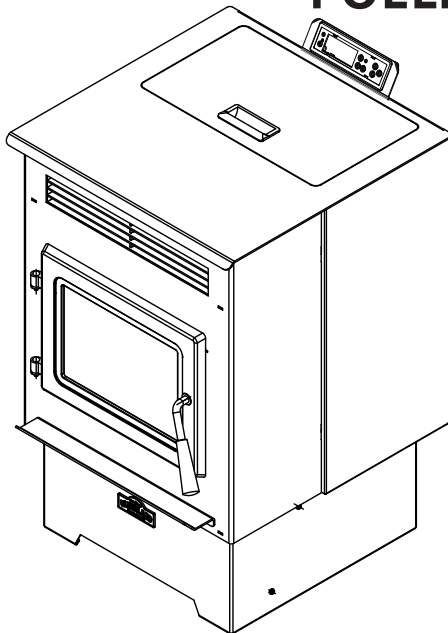
Report Number : F23-240
ASTM E1509-22
CAN/ULC-S627:2023

US Patent Pending

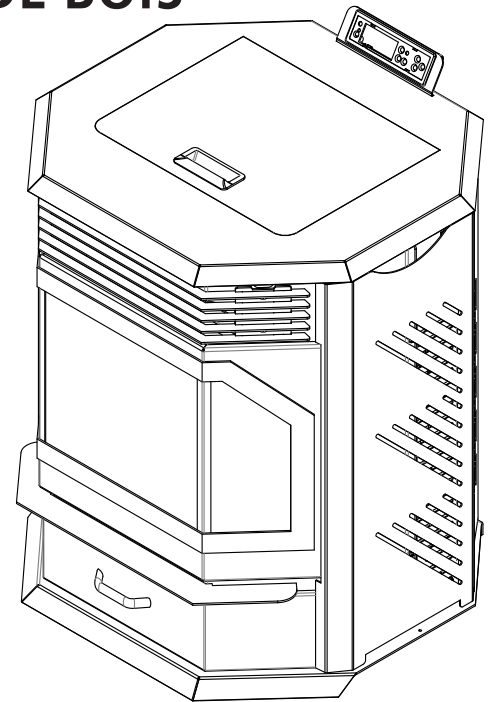
	<h1 style="text-align: center;">GUIDE DU PROPRIÉTAIRE ET INSTRUCTIONS D'UTILISATION</h1>	<p>N° de modèle PS60W PS130W PSBF66W</p>
---	--	--

LIRE LES INSTRUCTIONS ATTENTIVEMENT : Veuillez lire le présent manuel au complet avant d'installer et d'utiliser ce poêle à grenailles de bois. Ne pas suivre les directives comprises pourrait résulter en des dommages matériels ou des blessures graves, voire la mort. Ne pas laisser quiconque qui n'a pas lu les instructions du présent manuel assembler, allumer, régler ou faire fonctionner le poêle. Remiser ce manuel dans un endroit sûr pour référence ultérieure.

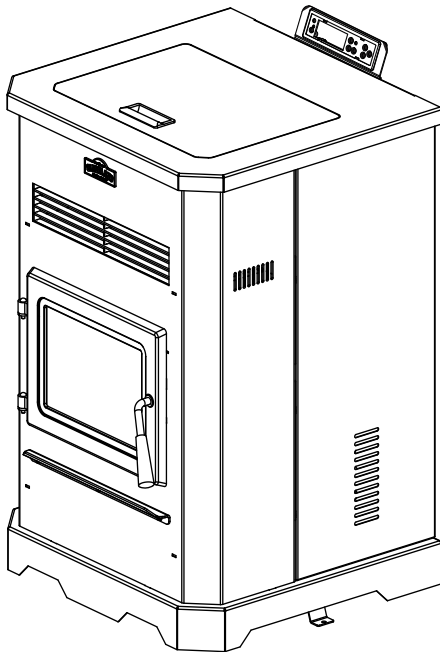
POÊLE À GRENAILLES DE BOIS



PS60W



PSBF66W



PS130W



POUR DÉTERMINER VOTRE BESOIN DE PERMIS, CONSULTEZ LES AUTORITÉS AYANT JURIDICTIONS DANS VOTRE LOCALITÉ (AUTORITÉS DE PRÉVENTION DES INCENDIES, SERVICE DE LA CONSTRUCTION MUNICIPAL, ETC.). RESPECTEZ TOUS LES CODES DE LA CONSTRUCTIONS LOCAUX.

AVERTISSEMENTS GÉNÉRAUX DE DANGERS :

- ⚠ NE PAS SE CONFORMER AUX PRÉCAUTIONS ET INSTRUCTIONS FOURNIES PEUT RÉSULTER EN UN DÉCÈS DE PERSONNE OU DES BLESSURES GRAVES ET DES DOMMAGES MATÉRIELS RÉSULTANT DES DANGERS D'INCENDIE, DE DÉFLAGRATION, DE BRÛLURE, D'ASPHYXIATION D'EMPOISONNEMENT AU MONOXYDE DE CARBONE ET/OU DE CHOC ÉLECTRIQUE.
- ⚠ SEULES LES PERSONNES POUVANT COMPRENDRE ET SUIVRE LES INSTRUCTIONS DEVRAIENT UTILISER OU ENTREtenir CE POÊLE.
- ⚠ POUR TOUTE ASSISTANCE, RENSEIGNEMENT OU POUR UN EXEMPLAIRE DU MANUEL D'INSTRUCTION, OU D'ÉTIQUETTES DE REMPLACEMENT, VEUILLEZ COMMUNIQUER AVEC LE FABRICANT.

AVERTISSEMENT :

- ⚠ DANGER D'INCENDIE, DE BRÛLURE, D'ÉMANATIONS ET DE DÉFLAGRATION. GARDER LES MATIÈRES COMBUSTIBLES SOLIDES TEL LES MATÉRIAUX DE CONSTRUCTION, LE CARTON OU LE PAPIER À UNE DISTANCE SÉCURITAIRE DU POÊLE SELON LES RECOMMANDATIONS DU MANUEL, NE JAMAIS UTILISER LE POÊLE DANS UN LIEU AYANT OU QUI A POSSIBILITÉ D'AVOIR DES MATIÈRES VOLATILES EN SUSPENSION DANS L'AIR OU DES PRODUITS COMME L'ESSENCE, DES SOLVANTS, DES DILUANTS À PEINTURE, DE LA POUSSIÈRE OU DES PRODUITS CHIMIQUES INCONNUS.

⚠ **AVERTISSEMENT :** Ce produit peut vous exposer à des produits chimiques incluant le plomb et des composés du plomb, reconnus par l'État de la Californie causer le cancer et des défauts congénitaux ou d'autres sévices du système reproducteur. Pour plus d'information visitez www.P65Warnings.ca.gov

Table des matières

SPECIFICATIONS.....	3
COMMENCER.....	4
PRÉCAUTIONS DE SÉCURITÉ.....	5
DISTANCES DE DÉGAGEMENT DES MATÉRIAUX COMBUSTIBLES.....	6
DÉBALLAGE ET ASSEMBLAGE.....	7
INSTALLATION.....	8
EXIGENCES SUPPLÉMENTAIRES POUR LES MAISONS MOBILES	12
FONCTIONNEMENT.....	14
CONNEXION WI-FI « SMART STOVE ».....	16
COMMANDES WI-FI.....	17
COMMANDES MULTIFONCTIONS.....	18
OPÉRATION MANUELLE DU POÊLE.....	18
ENTRETIEN.....	20
SCHÉMA DE CÂBLAGE.....	30
PIÈCES DE SERVICE.....	31

INFORMATIONS ÉMISES À LA FCC

MISE EN GARDE: Tout changement ou modification qui ne serait pas approuvé expressément par la partie responsable de sa conformité peut causer l'annulation de l'autorité de l'utilisateur de faire fonctionner cet équipement.

REMARQUE: Cet appareil a été testé et a été déterminé comme conforme aux limites d'un appareil numérique de Classe B, conformément à la Section 15 des réglementations FCC. Ces limites sont conçues pour offrir une protection raisonnable contre une interférence nuisible dans une installation résidentielle. Cet appareil génère, et peut irradier de l'énergie en radiofréquence et, s'il n'est pas installé et utilisé en conformité avec ces instructions, il peut causer une interférence nuisible aux communications radio. Toutefois, il n'est pas garanti qu'une telle interférence ne puisse survenir dans une installation particulière. Si l'appareil cause une interférence nuisible à la réception radio ou télévisuelle, ce qui peut être déterminé en mettant en marche l'appareil puis en l'éteignant, l'utilisateur est encouragé à tenter de corriger cette interférence par une ou l'autre des mesures suivantes:

- Réorienter ou relocaliser l'antenne réceptrice.
- Augmenter la distance de séparation entre l'appareil et le récepteur.
- Connecter l'appareil dans une prise de courant qui se trouve sur un circuit différent de celui dans lequel le récepteur est connecté.
- Consulter le détaillant ou un technicien expérimenté en radio/télé pour de l'aide.

Le présent manuel décrit la procédure d'installation et de fonctionnement des poêles à grenailles de bois Cleveland Ironworks. Votre poêle est conforme aux limites d'émission de l'EPA (Environmental Protection Agency) des États-Unis pour les poêles à grenailles fabriqués après l'année 2020. Sous des conditions d'essai précises, il a été déterminé que ces poêles produisent une sortie de chaleur entre :

PS60W : 10 771 et 30 124 Btu/h

PS130W : 12 746 à 29 501 Btu/h

PSBF66W : 11 624 à 30 173 Btu/h

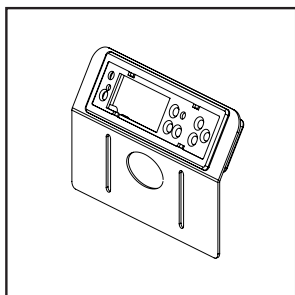
SPÉCIFICATIONS

N° de modèle	PS60W	PS130W	PSBF66W
DIMENSIONS			
Poids du poêle [kg (lb)]	90 (198)	100 (221)	120 (265)
Dimensions du poêle prof.x larg.x haut. [cm (po)]	59,7 x 55,2 x 84,5 (23,5 x 21,75 x 33,25)	61,0 x 62,2 x 92,7 (24,0 x 24,5 x 36,5)	66,5 x 62,3 x 77,2 (26,2 x 24,5 x 30,4)
Diamètre du tuyau d'entrée d'air [mm (po)]	50 (2)	50 (2)	50 (2)
Diamètre du tuyau de sortie d'air [mm (po)]	80 (3)	80 (3)	80 (3)
Capacité de la trémie de grenailles [kg (lb)]	27,2 (60)	59,0 (130)	29,9 (66)
SPÉCIFICATIONS DE FONCTIONNEMENT			
Carburant	Grenailles de bois	Grenailles de bois	Grenailles de bois
Chauffe approximativement ** [m ² (pi ²)]	139 - 204 (1500 - 2200)	186 - 279 (2000 - 3000)	167 - 232 (1800 - 2500)
Monoxyde de carbone produit (g/min)	Sur réglage élevé : 0,32 Sur réglage bas : 0,18	Sur réglage élevé : 0,20 Sur réglage bas : 0,36	Sur réglage élevé : 0,11 Sur réglage bas : 0,21
Taux de consommation de grenailles sur réglage bas [kg/h (lb/h)]	0,72 - Sec (1,59)	0,90 - Sec (1,98)	0,79 - Sec (1,74)
Taux de consommation de grenailles sur réglage moyen [kg/h (lb/h)]	0,92 - Sec (2,03)	1,28 - Sec (2,82)	1,07 - Sec (2,36)
Taux de consommation de grenailles sur réglage élevé [kg/h (lb/h)]	1,98 - Sec (4,37)	2,19 - Sec (4,83)	2,12 - Sec (4,67)
Rendement du poêle	84%	77%	80%
Taux de sortie de chaleur bas [BTU/ HR (kW)]	10,771 (3,16)	12,746 (3,74)	11,624 (3,41)
Taux de sortie de chaleur moyen [BTU/HR (kW)]	13,910 (4,08)	18,088 (5,30)	15,511 (4,55)
Taux de sortie de chaleur élevé [BTU/HR (kW)]	30,124 (8,83)	29,501 (8,65)	30,173 (8,84)
SPÉCIFICATIONS ÉLECTRIQUES			
Exigences d'alimentation électrique (Tension/Fréquence/Phase)	120 V / 60 Hz / 1	120 V / 60 Hz / 1	120 V / 60 Hz / 1
Courant électrique durant la phase d'allumage (Ampères)	3,3	3,3	3,3
Vitesse de rotation du moteur de la tarière (t/min)	2,4	2,4	2,4

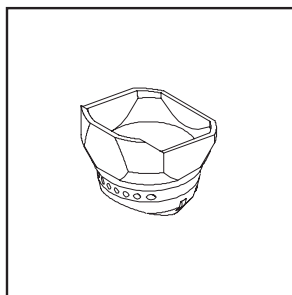
* L'énergie (BTU) de sortie variera selon la marque du combustible utilisé.

** Selon degré d'isolation de la pièce et la zone climatique. Les différences de climat et la localisation affectent les attributs comme le rendement du poêle et la production de monoxyde e carbone.

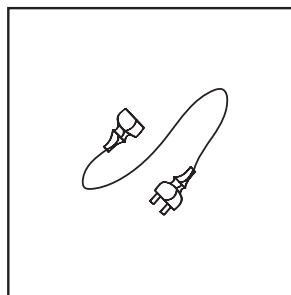
COMMENCER



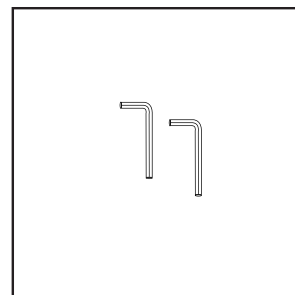
Panneau d'affichage



Pot de feu

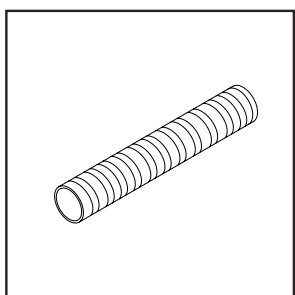


Cordon d'alimentation électrique

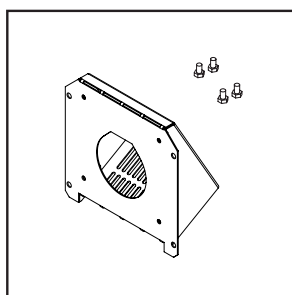


Clés Allen (x2)

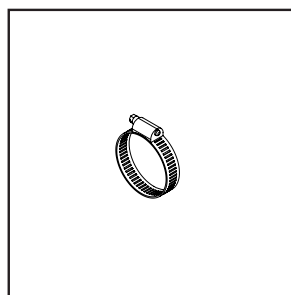
KIT D'ACCESSOIRES



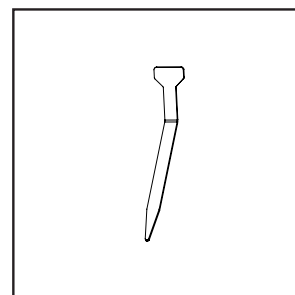
Tuyau flexible



Limite de terminaison et Des vis (x4)



Collier de serrage



Outil de nettoyage

CE DONT VOUS AVEZ BESOIN (NON FOURNIS)

OUTILS REQUIS

- Ruban à mesurer
- Tournevis Phillips (manuel ou électrique).
- Localisateur de montants
- Fil à plomb
- Scie sauteuse
- Silicone haute température ou scellant haute température ou ruban de conduit de fumée haute température
- Protection de plancher (voir SUPERFICIE DE PLANCHER et MATÉRIAUX DE REVÊTEMENT DE SOL à la page 6)
- Tuyau d'évent de 80 mm (3 po) de diamètre de type « L » ou « PL » portant les sceaux d'enregistrement UL 641, ULC S609 (Norme « Standard for 650 C Factory-Built Chimneys »), ou ULC/ORD C441. Installer selon les instructions du fabricant de cheminée (voir page 9)

ÉQUIPEMENT DE SÉCURITÉ (RECOMMANDÉ)

- Lunettes de sécurité
- Gants
- Chaussures fermées
- Un assistant (le poêle est lourd, ne tentez pas de le déplacer par vous-même).

INFORMATIONS SUR LA PILE

La télécommande qui est livrée avec votre poêle est fournie avec une (1) pile au Lithium CR2025 de 3 volts, déjà installée.

IMPORTANT:

- Les piles qui ne sont pas rechargeables ne doivent pas être rechargées.
- Les piles doivent être insérées avec la bonne polarité.
- Les piles épuisées doivent être retirées de la télécommande.
- Mise en garde : Éviter l'ingestion d'une ou de plusieurs piles.

⚠ AVERTISSEMENT : NE PAS JETER LES PILES DANS LE FEU. LES BATTERIES PEUVENT EXPLOSER OU FUTER.

⚠️ AVERTISSEMENT

- **DANGER D'INGESTION** : Ce produit contient une pile bouton ou une pile mince.
- **UN DÉCÈS** ou des blessures graves peuvent survenir en cas d'ingestion.
- Si avalée, une pile bouton ou une pile mince peut causer des **brûlures chimiques internes** en aussi peu de temps que **2 heures**.
- **GARDER** les piles neuves et épuisées **HORS DE PORTÉE DES ENFANTS**
- **Consulter immédiatement un professionnel de la santé** si vous suspectez qu'une pile a été avalée ou insérée à l'intérieur d'une partie du corps.



- Appeler un centre antipoison local pour déterminer les informations de traitement.
- Retirer et disposer immédiatement les piles épuisées conformément aux réglementations locales, et les garder éloignées des enfants. NE PAS disposer les piles dans une poubelle résidentielle, et ne pas les incinérer. Même une pile épuisée peut causer des blessures graves ou un décès.
- Les piles non-rechargeables ne doivent pas être rechargées. Il ne faut pas forcer la décharge, la recharge, il ne faut démonter, ni chauffer à une température supérieure (à la température spécifiée par le fabricant) ni l'incinérer. Cela pourrait causer des blessures en raison de l'évacuation, d'un coulage ou de l'explosion pouvant causer des brûlures chimiques.
- S'assurer que les piles soient installées correctement avec la bonne polarité (+ et -). Ne pas mélanger des piles anciennes avec des piles neuves, ou encore des marques ou des types différents de piles ensemble, comme des piles alcalines, carbone-zinc, ou rechargeables. Retirer et recycler ou jeter immédiatement les piles de l'équipement qui ne sera pas utilisé pendant une longue période de temps, conformément aux réglementations locales.

PRÉCAUTIONS DE SÉCURITÉ

ÉTABLISSEZ UNE RÉACTION DE SURVIE EN CAS D'INCENDIE. COMMUNIQUEZ AVEC LE SERVICE D'INCENDIE LOCAL POUR OBTENIR DES RENSEIGNEMENTS ET UNE PROCÉDURE D' ACTIONS À PRENDRE EN CAS DE FEU DE CHEMINÉE.

⚠️ AVERTISSEMENT : NE PAS LOCALISER DANS LES CHAMBRES À COUCHER.

⚠️ ATTENTION : MANIPULER LE POÊLE AVEC SOIN. ÉVITER DE LE SOUMETTRE À DES CHOCS OU DE L'ÉGRATIGNER ET DE FERMER BRUSQUEMENT LES PORTES VITRÉES. NE PAS FAIRE FONCTIONNER AVEC UNE OU DES VITRES ÉGRATIGNÉES, FISSURÉES OU BRISÉES.

⚠️ AVERTISSEMENT : BRÛLANT DURANT LE FONCTIONNEMENT. GARDER LES ENFANTS, LES VÊTEMENTS ET L'AMEUBLEMENT ÉLOIGNÉS. LE CONTACT POURRAIT CAUSER DES BRÛLURES.

⚠️ AVERTISSEMENT : NE JAMAIS LAISSER D'ENFANT SANS SURVEILLANCE DANS UNE PIÈCE COMPRENANT UN POÊLE EN FONCTIONNEMENT.

⚠️ AVERTISSEMENT : NE PAS CHAUFFER À BLOC. CHAUFFER LE POÊLE DE FAÇON EXCESSIVE POURRAIT CAUSER UN INCENDIE. SI L'UNITÉ OU LE RACCORD DE CHEMINÉE ROUGIT C'EST QUE LE POÊLE EST CHAUFFÉ DE FAÇON EXCESSIVE.

⚠️ AVERTISSEMENT : CE POÊLE À BOIS A UN TAUX D'ALIMENTATION MINIMUM RÉGLÉ PAR LE FABRICANT QUI NE DOIT PAS ÊTRE MODIFIÉ. IL EST CONTRAIRE À LA RÉGLEMENTATION FÉDÉRALE DE RÉGLER OU DE FAIRE FONCTIONNER CE POÊLE DE FAÇON NON CONFORME AUX INSTRUCTIONS DE FONCTIONNEMENT COMPRISES DANS CE GUIDE DU PROPRIÉTAIRE.

MONOXYDE DE CARBONE

AVERTISSEMENT :

⚠ SI UTILISÉ SANS COMBUSTIBLE ET AÉRATION ADÉQUATS, CE POÊLE PEUT PRODUIRE UN EXCÈS DE MONOXYDE DE CARBONE, UN GAZ MORTEL SANS ODEUR.

AVERTISSEMENT :

⚠ DES SIGNES AVANT-COUREURS D'EMPOISONNEMENT AU MONOXYDE DE CARBONE SONT UNE RESSEMBLANCE AUX SYMPTÔMES DE LA GRIPPE AVEC CÉPHALÉES, ÉTOURDISSEMENTS ET/OU NAUSÉES. SI VOUS SOUFFREZ DE CES SYMPTÔMES, LE POÊLE POURRAIT EN ÊTRE LA CAUSE EN RAISON DE MAUVAIS FONCTIONNEMENT. OBTENEZ DE L'AIR FRAIS À RESPIRER SUR LE CHAMP! FAITES UN ENTRETIEN DU POÊLE.

CERTAINES PERSONNES - FEMMES ENCEINTES, PERSONNES SOUFFRANT DE PROBLÈMES CARDIAQUES OU DE MALADIES, D'ANÉMIE, CELLES EN ÉTAT D'ÉBRIÉTÉ OU PERSONNES SE TROUVANT EN RÉGION MONTAGNEUSE TRÈS ÉLEVÉE - SONT PLUS SUJETTES À ÊTRE AFFECTÉES PAR LE MONOXYDE DE CARBONE QUE LES AUTRES PERSONNES.

Peu importe le niveau de sécurité intrinsèque de ce poêle, tous les appareils consommant un carburant créent du monoxyde de carbone. Il est toujours bon de prévenir autant que possible les dangers pouvant vous affecter ainsi que votre entourage en installant un détecteur de monoxyde de carbone. Il est recommandé d'installer un détecteur dans les aires susceptibles de générer du monoxyde de carbone comme là où se trouve un poêle ou l'aire d'entreposage des grenailles ou bien les hangars chauffés par système hydronique. Suivez les instructions de montage, de fonctionnement et d'entretien fournies par le fabricant de votre détecteur.

DÉTECTEURS DE FUMÉE

Installez au moins 1 détecteur de fumée à chaque niveau de votre demeure. Suivez les instructions de montage, de fonctionnement et d'entretien fournies par le fabricant de votre détecteur. Évitez les fausses alarmes en plaçant le détecteur hors de l'emplacement immédiat du poêle. Généralement, un bon endroit pour installer les détecteurs de fumée est près des chambres à coucher.

POUR PLUS D'INFORMATION DE SÉCURITÉ

Pour des renseignements supplémentaires concernant la sécurité de fonctionnement des poêles à grenailles de bois, communiquez avec la NFPA (National Fire Protection Association), par la poste, à :

NFPA, Batterymarch Park, Quincy, MA 02269, U.S.A.

ou visitez le site Web de la NFPA :

<https://www.nfpa.org/>

DISTANCES DE DÉGAGEMENT DES MATÉRIEAUX COMBUSTIBLES

Les distances de dégagement indiquées ci-dessous représentent les dégagements minimum entre le poêle et tout autre objet. Aucun objet ne devrait se trouver dans cet espace. Ceux-ci comprennent, sans s'y limiter, les tapis, meubles, enfants, animaux domestiques, vêtements, carburant ou tout autre objet. Ces distances ne pourront seulement être réduites que par les autorités ayant juridiction.

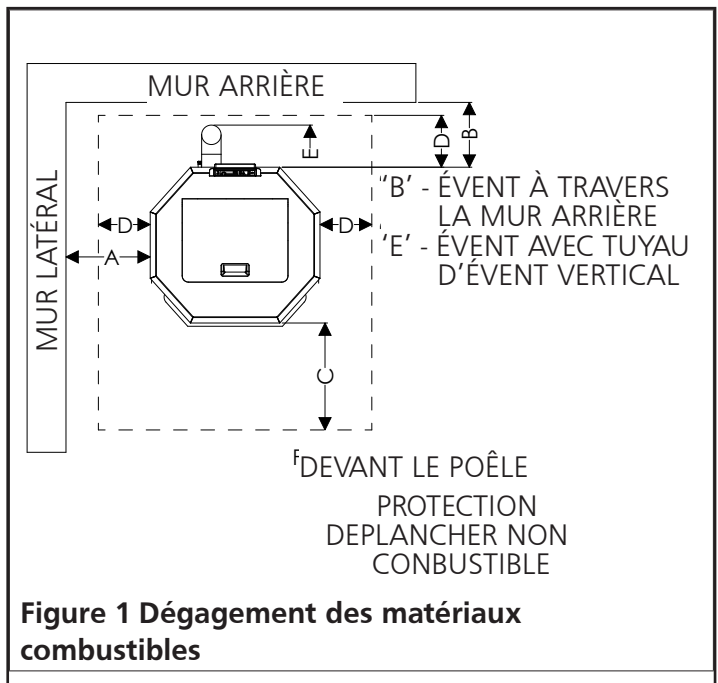


Figure 1 Dégagement des matériaux combustibles

	ÉTATS-UNIS	CANADA
A	330 mm (13 po)	330 mm (13 po)
B	51 mm (2 po)	51 mm (2 po)
C	457 mm (18 po)	457 mm (18 po)
D	203 mm (8 po)	203 mm (8 po)
E	76 mm (3 po)	76 mm (3 po)

SUPERFICIE DE PLANCHER ET DÉGAGEMENTS

Lorsqu'installé sur un plancher combustible, une protection non combustible est requise pour :

- Couvrir l'aire sous le poêle en se prolongeant d'au moins 457 mm (18 po) sur le devant;
- Couvrir la surface sur les côtés du poêle sur au moins 203 mm (8 po);
- Couvrir l'aire sous le tuyau d'échappement en excédant cette aire par une couverture de 51 mm (2 po) sur les côtés.

De plus, le poêle à grenailles de bois devra être positionné de sorte :

- Qu'il y ait un dégagement minimum de 330 mm (13 po) de chaque côté de l'appareil.
- Qu'il y ait un dégagement minimum de 51 mm (2 po) à l'arrière de l'appareil.
- Que le tuyau d'échappement vertical soit dégagé d'au moins 76 mm (3 po) de tout mur.

Finalement, la pièce dans laquelle le poêle à grenailles de bois est installé devra avoir une hauteur de plafond d'au moins 2 134 mm (84 po)

MATÉRIAUX DE REVÊTEMENT DE SOL

La protection de plancher devra avoir toutes les caractéristiques suivantes :

- Enregistrement UL-1618
- Au moins 13 mm (0,5 po) d'épaisseur
- Faite de matériau non combustible
- Avoir soit :
 - Une valeur de résistance thermique R de $1,19 \frac{(\text{pi}^2)(\text{h})(^\circ\text{F})}{\text{Btu}}$
 - Une valeur de conductivité thermique k de $0,84 \frac{(\text{Btu})(\text{po})}{(\text{pi}^2)(\text{h})(^\circ\text{F})}$

Comme assistance pour évaluer l'acceptabilité de matériaux substitués, les équivalences de spécifications et exemples ci-dessous vous sont fournis.

$$\text{Conductivité thermique } k = \frac{\text{épaisseur}}{R} \left(\frac{(\text{Btu})(\text{po})}{(\text{pi}^2)(\text{h})(^\circ\text{F})} \text{ ou } \frac{W}{(\text{m})(^\circ\text{K})} \right)$$

$$\text{Conductance thermique } C = \frac{1}{R} \left(\frac{(\text{Btu})}{(\text{pi}^2)(\text{h})(^\circ\text{F})} \text{ ou } \frac{W}{(\text{m}^2)(^\circ\text{K})} \right)$$

Exemple : Requis pour protéger le plancher avec une valeur R de $1,19 \frac{(\text{pi}^2)(\text{h})(^\circ\text{F})}{\text{Btu}}$.

Évaluation du mérite de briques de 57 mm (2 po) d'épaisseur de conductivité thermique k de $4,16 \frac{(\text{Btu})(\text{po})}{(\text{pi}^2)(\text{h})(^\circ\text{F})}$

sur une couche de panneau minéralisé de 6,3 mm (po) ayant une valeur C de $2,3 \frac{(\text{Btu})}{(\text{pi}^2)(\text{h})(^\circ\text{F})}$.

Étape 1. Calculez la valeur R de chaque matériau du plancher

$$R_{\text{BRIQUE}} = \frac{\text{épaisseur}}{k} = \frac{2,25}{4,16} = 0,54$$

$$R_{\text{PANNEAU}} = \frac{1}{C} = \frac{1}{2,3} = 0,434$$

Étape 2. Ajoutez les valeurs R équivalentes pour chaque matériau du plancher

$$R_{\text{BRIQUE}} + R_{\text{PANNEAU}} = 0,54 + 0,434 = 0,974$$

Étape 3. Cette valeur R combinée est **insuffisante** donc plus de protection doit être installée. Par exemple, en plaçant deux couches de briques :

$$R_{\text{BRIQUE}} + R_{\text{BRIQUE}} + R_{\text{PANNEAU}} = 0,54 + 0,54 + 0,434 = 1,514$$

Étape 4. Puisque cette valeur R combinée est plus grande que la spécification requise, ce montage sera suffisant pour protéger le plancher sous le poêle.

DÉBALLAGE

1. Sortir le poêle du carton d'emballage.
2. Retirer tout le matériel protecteur placé sur le poêle pour l'expédition.
3. Inspecter le poêle pour détecter tout dommage d'expédition. Si des dommages sont détectés, appelez le fabricant sur le champ-au 1-800-251-0001.

⚠ ATTENTION : TOUTE PIÈCE ENDOMMAGÉE POURRAIT COMPROMETTRE LE FONCTIONNEMENT SÉCURITAIRE.

- **NE PAS INSTALLER DES COMPOSANTS INCOMPLETS.**
- **NE PAS INSTALLER DES COMPOSANTS SUBSTITUÉS.**
- **NE PAS INSTALLER DES COMPOSANTS ENDOMMAGÉS.**

4. Pour assurer la sécurité de certaines pièces délicates, celles-ci sont emballées séparément. Veuillez les localiser, vraisemblablement à l'intérieur de l'appareil pour procéder à leur assemblage.

ASSEMBLAGE

Étape 1 - Panneau d'affichage

Insérer le panneau d'affichage à l'arrière du dessus du poêle. Assurez-vous de sa bonne orientation pour lecture à partir du devant du poêle. Fixez l'afficheur à l'aide des deux vis fournies.

Étape 2 - Câble d'alimentation de l'afficheur

Ce câble devrait être enroulé sous le couvercle du poêle. Insérez l'extrémité libre dans le dos du panneau d'affichage (voir figure 16 à la page 15). Ce câble devrait déjà être connecté à la carte d'alimentation du poêle. Vous pouvez vérifier cette connexion derrière la plaque d'accès à l'arrière du poêle.

Étape 3 - Cordon d'alimentation électrique

Le cordon d'alimentation se branche dans la prise à l'arrière du poêle. Après tout assemblage requis du panneau d'affichage, vous pouvez brancher votre poêle temporairement pour vous assurer du fonctionnement de l'afficheur avant de continuer l'installation. Après avoir confirmé le fonctionnement de l'afficheur, éteignez et débranchez le cordon électrique.

⚠ ATTENTION : NE PAS LAISSER LE POÊLE BRANCHÉ DANS LA PRISE ÉLECTRIQUE DURANT L'ASSEMBLAGE OU LE MONTAGE.

Étape 4 - Pot de combustion

En l'absence de toute alimentation électrique, le pot de combustion devrait être inséré adéquatement dans le poêle pour que l'allumeur puisse entrer en contact avec les grenailles. Voir figure 2 ou 3.

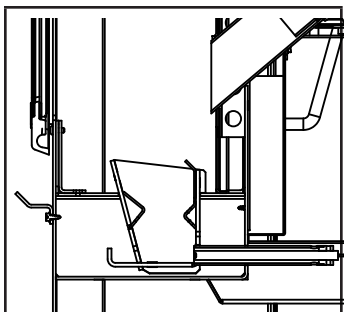


Figure 2 Pot de combustion PS60W et PS130W

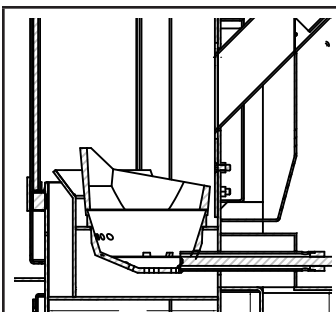
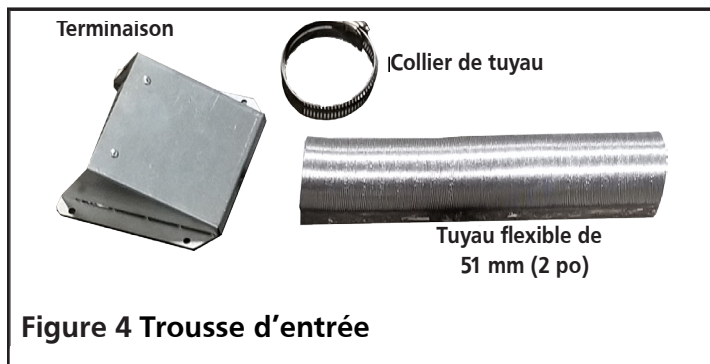


Figure 3 Pot de combustion PSBF66W

Une trousse de nettoyage est également emballée, ce qui facilitera le nettoyage de débris des perforations du pot.

Étape 5 - Trousse d'entrée d'air

Localisez la trousse d'entrée d'air expédiée avec le poêle. Voir Figure 4. Mesurez votre pièce et planifiez l'installation de l'évent horizontal pouvant être requis selon les recommandations indiquées dans EXIGENCES D'AIR FRAIS ET D'AÉRATION on page 8. Respectez toutes les exigences d'aération et suivez les directives indiquées dans INSTALLATION on page 8.



Assemblage supplémentaire PS60W, PS130W

- Poignée de porte : ouvrez la porte et vissez l'emprise plastifiée dans les filets de la poignée.

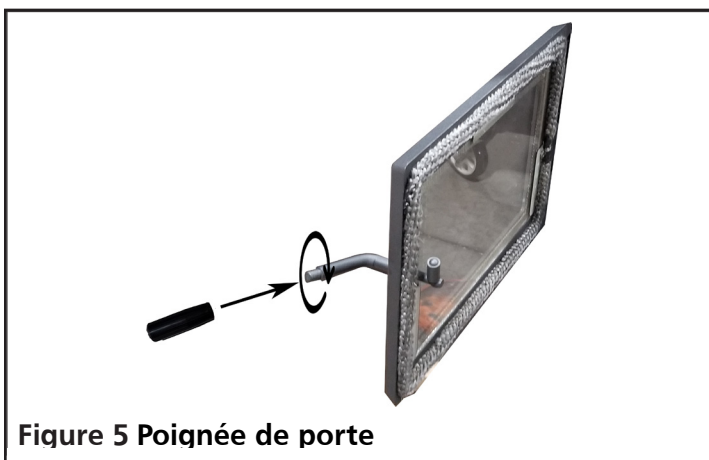


Figure 5 Poignée de porte

INSTALLATION

INFORMATION DE CONTACT

Pour toute question concernant les options de ventilation de votre poêle, veuillez contacter soit :

Le fabricant Mr. Heater Company à 1-800-251-0001 • Mr. Heater.COM Nos heures de bureau sont de 8:00 h à 17:00 h, HNE, du lundi au vendredi..

NFPA (National Fire Protection Association) et demander un exemplaire de la dernière édition de la publication NFPA Standard 211. L'adresse postale de la NFPA est Batterymarch Park, Quincy, MA 02269 U.S.A.

⚠ AVERTISSEMENT : SI CE POÊLE N'EST PAS BIEN INSTALLÉ, IL POURRAIT EN RÉSULTER UN INCENDIE DE DOMICILE. POUR MINIMISER LE DANGER D'INCENDIE, SUIVRE LES DIRECTIVES D'INSTALLATION. CONTACTER LES AUTORITÉS DU CODE DE LA CONSTRUCTION OU LE SERVICE D'INCENDIE POUR CONNAÎTRE LES RESTRICTIONS ET LES INSPECTIONS D'APPROBATION REQUISES DANS VOTRE RÉGION.

⚠ ATTENTION : TOUT ÉCART OU MODIFICATION DE CES DIRECTIVES POURRAIT RÉSULTER EN DES BLESSURES OU DES DOMMAGES AU POÊLE, À LA CHEMINÉE ET À VOTRE DEMEURE. LA GARANTIE POURRAIT ÊTRE ANNULÉE. LIRE ET SUIVRE TOUTES LES INSTRUCTIONS. Pour toute préoccupation, question ou commentaire, communiquez avec Cleveland Iron Works.

⚠ ATTENTION : CONTACTER LES AUTORITÉS DU CODE DE LA CONSTRUCTION OU LE SERVICE D'INCENDIE POUR CONNAÎTRE LES RESTRICTIONS ET LES INSPECTIONS D'APPROBATION REQUISES DANS VOTRE RÉGION.

PLANIFICATION

Assurez-vous que vous avez sélectionné le bon poêle pour vos besoins en consultant le tableau de spécifications à la page 3. Prenez les mesures de vos quartiers et planifiez votre système de cheminée selon les instructions détaillées ci-dessous.

Ce poêle à grenailles peut être installé dans une maison mobile. En plus des instructions ci-dessous, passez en revue et respectez les exigences obligatoires à la page 11.

CONSIDÉRATIONS ÉLECTRIQUES

Une prise électrique devra être disponible à environ 2 m (6,5 pi) sur le mur derrière le poêle. Placer le cordon d'alimentation de façon qu'il ne vienne en contact avec la surface du poêle.

EXIGENCES D'AIR FRAIS ET D'AÉRATION

Lorsque vous décidez de la localisation du poêle, assurez-vous que l'aire sera toujours approvisionnée d'air frais. Un manque d'air pourrait appauvrir tous les appareils à combustion de vos quartiers et possiblement causer une condition dangereuse. L'approvisionnement d'air de combustion de l'extérieur pourrait être nécessaire pour garantir que les appareils à combustion ne créent pas d'émanations dangereuses à l'intérieur. Le guide pour déterminer le besoin d'air de combustion supplémentaire pourrait ne pas être exact dans toutes les situations. En cas de doute, nous conseillons d'amener un approvisionnement d'air supplémentaire. De l'air de combustion extérieur pourrait être requis si les indications ci-dessous, ou d'autres indications, suggèrent que l'apport d'air est insuffisant :

- Le poêle à grenailles de bois n'aspire pas de façon constante et produit des bouffées de fumée, les grenailles ne brûlent pas facilement et le tirage de la cheminée s'inverse lors de combustion ou non.
- Autre équipement de combustion dans la maison, tel un foyer ouvert ou autre appareil de combustion dégageant odeur de combustion ou ne fonctionnant pas adéquatement, dégage de la fumée dans la pièce lorsqu'ouvert pour chargement ou soumis à un tirage inverse de cheminée lors de combustion ou non.
- Si n'importe lequel des symptômes ci-dessus se redresse lors de journées non venteuses ou en ouvrant une fenêtre légèrement.
- La maison est très étanche avec pare-vapeur et fenêtres bien scellées ou possède des dispositifs d'expulsion d'air intérieur.
- Une condensation excessive se produit dans les fenêtres en hiver.
- Un système d'aération est installé sur la maison.

De l'air de combustion supplémentaire pourrait être approvisionné au poêle à grenailles de bois directement de l'extérieur par l'entremise de la trousse d'entrée d'air comprise pour se connecter à l'entrée d'air en bas à l'arrière du poêle. Toute installation de la sorte devra satisfaire la Clause 4 de la norme B365 de la CSA.

⚠ ATTENTION : NE JAMAIS ASPIRER D'AIR DE COMBUSTION DU :

- PLÉNUM D'AIR DES MURS, DU PLANCHER ET DU PLAFOND.
- D'UN ESPACE CLOS TEL UN GRENIER, UN VIDE SANITAIRE OU UN GARAGE.

⚠ ATTENTION : SI UN TUYAU D'ENTRÉE D'AIR EST RACCORDÉ, ALORS LE POÊLE DEVRA ÊTRE FIXÉ À LA STRUCTURE DE LA MAISON.

EXIGENCES D'ÉVACUATION ADDITIONNELLE

Un minimum de 1,8 m (6 pi) de tuyau d'évent (n'incluant pas les coudes) doit être utilisé.

- Utiliser un tuyau d'évent de 8 cm (3 po) pour le système en entier, OU il est possible d'utiliser un adaptateur de 10/15 cm (4 ou 6 po) sur l'évacuation, immédiatement là où elle quitte le poêle.
- Si le système a plus de 4,9 m (16 pi), utiliser un tuyau d'évent de 10 cm (4 po).
- La longueur minimale du conduit vertical est de 1,2 m (4 pi), et un coude à 45 degrés/chapeau de cheminée est requis sur la terminaison de l'évacuation.

IMPORTANT: Un scellant à la silicone doit être ajouté entre les doubles parois d'un conduit terminal.

EXIGENCES ET ASSEMBLAGE DES RACCORDS

⚠ ATTENTION : LE TUYAU DE RACCORDEMENT DE CHEMINÉE NE DOIT PAS TRAVERSER LE GRENIER OU LE TOIT, OU TOUT GARDE-ROBE OU ARMOIRE (OU AUTRE ESPACE CLOS) NI LE PLANCHER OU LE PLAFOND. POUR LE RACCORDEMENT D'APPAREILS DE CHAUFFAGE À COMBUSTIBLE SOLIDE À TRAVERS UN MUR OU PARTITION DE MATÉRIAU COMBUSTIBLE, L'INSTALLATION DEVRA ÊTRE CONFORME À LA NORME CAN/CSA-B365.

Tous les tuyaux et coudes devraient être installés avec l'extrémité à sertir vers le poêle (et non vers la sortie de la cheminée) et devraient être fixés avec trois vis à métal réparties également sur la circonférence.

Les raccords, coudes et sections de cheminée devraient être de type « L » ou « PL » et de diamètre de 80 mm (3 po) puisque le système d'aspiration est basé sur une pression négative dans la chambre à combustion et une légère surpression à la sortie des gaz. Il sera donc important que le raccordement de la tuyauterie soit bien ajusté et scellé.

Nous recommandons que la tuyauterie des raccords, des coudes et de la cheminée soient de type B pour aération à double paroi et de calibre minimum n°24.

Veillez noter que les coudes dans le système d'échappement réduisent le débit d'air, diminuant la performance et qu'ils offrent un point d'accumulation de dépôts de cendre nécessitant un nettoyage plus fréquent.

⚠ ATTENTION : LES JONCTIONS DE TOUS LES TUYAUX DE RACCORDEMENT DE SYSTÈME D'AÉRATION (CANALISATION OPTIONNELLE D'ENTRÉE D'AIR OU ÉCHAPPEMENT DE COMBUSTION) DEVRONT ÊTRE SCÉLLÉES À L'AIDE DE SILICONE RÉSISTANT AUX TEMPÉRATURES ÉLEVÉES.

EXIGENCES GÉNÉRALES D'AÉRATION

⚠ ATTENTION : NE RACCORDER À AUCUNE CANALISATION OU SYSTÈME DE DISTRIBUTION D'AIR.

⚠ ATTENTION : NE PAS RACCORDER CETTE UNITÉ À UNE CHEMINÉE CONNECTÉE À UN AUTRE APPAREIL.

⚠ ATTENTION : NE PAS INSTALLER DE REGISTRE DE TIRAGE À CLAPET DANS LE TUYAU D'ÉCHAPPEMENT DE CE POÊLE À GRENAILLES DE BOIS.

⚠ ATTENTION : NE PAS INSTALLER DANS UN FOYER.

Ce poêle à grenailles de bois doit être connecté à une cheminée portant l'une ou l'autre des homologations suivantes :

- Enregistrement de classe A conforme aux exigences du type HT de la norme UL 103 (Standard for Chimneys, Factory-Built, Residential Type and Building Heating Appliance)
- Cheminée de maçonnerie certifiée ICBO (International Conference of Building Officials) pour les poêles à combustible solide.

CAPUCHON D'ÉVENT

- Installer l'évent d'échappement en respectant les distances de dégagement spécifiées par le fabricant.
- Installer le capuchon d'évent d'échappement en respectant les distances de dégagement spécifiées par le fabricant.
- Si vous utilisez la trousse d'entrée d'air, assurez-vous qu'il y ait au moins 30 cm (12 po) de dégagement entre le capuchon d'évent et la bouche d'entrée d'air.
- Il est aussi recommandé de garder au moins 30 cm (12 po) de dégagement entre la sortie d'évent et les fenêtres, portes ou coins de murs extérieurs.
- Les endroits traversés vers l'extérieur par la cheminée ou d'autres composants devront être scellés à la silicone.

- Pour confirmer que toutes les exigences sont respectées, se référer aux codes locaux.

Les cheminées verticales devront répondre aux exigences minimales suivantes :

- Longueur minimum de 4,6 m (15 pi) mesuré du dessus du poêle jusqu'au dessus du capuchon de la cheminée.
- Si la faîte du toit se trouve à une distance verticale de moins de 305 cm (10 pi) du point de sortie de la cheminée, le dessus de son capuchon devra dépasser le plus haut point du toit de d'au moins 61 cm (2 pi).
- La longueur de la cheminée dépassant le toit doit être d'un minimum de 91 cm (3 pi).

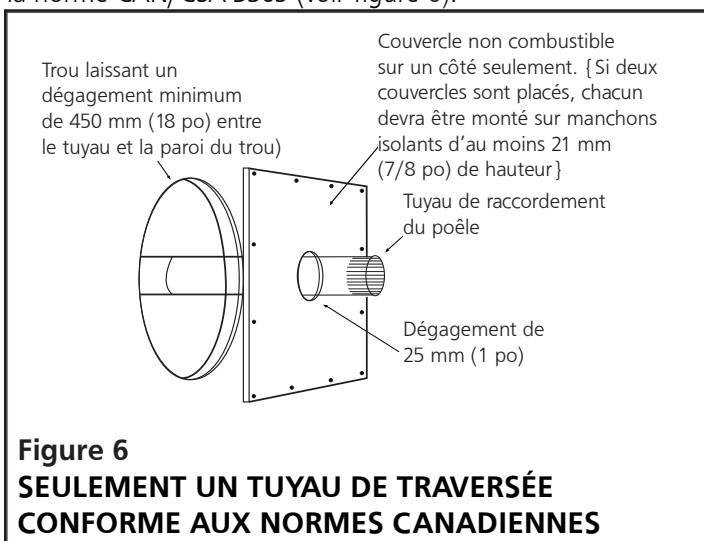
Les cheminées horizontales devront répondre aux exigences minimales suivantes :

- Être à une hauteur d'au moins 30 cm (12 po) au dessus du sol ou autres obstructions (patio, balcon, véranda ou bosquet de végétation).

TRAVERSÉE DE MUR

Lorsque le passage à travers un mur ou une partition de matériau inflammable est requis, le montage devra se conformer aux directives du fabricant.

REMARQUE : Au Canada, l'installation devra être conforme à la norme CAN/CSA-B365 (voir figure 6).



EXIGENCES SUPPLÉMENTAIRES POUR MAISONS MOBILES

⚠ AVERTISSEMENT : NE PAS LOCALISER DANS LES CHAMBRES À COUCHER.

PIÈCES ET MATÉRIAUX REQUIS (NON FOURNIS)

- Une cheminée de diamètre de 80 mm (3 po) conforme à la norme UL-103 (Standard for Factory-Built Chimneys for Residential Type and Building Heating Appliances).
- Gaine aérée de plafond adéquate pour utilisation dans les maisons mobiles.
- Gaine aérée de toit adéquate pour utilisation dans les maisons mobiles.

TECHNIQUES DE TRAVERSÉE DE MUR APPROUVÉES NFPA 211 (É-U SEULEMENT)

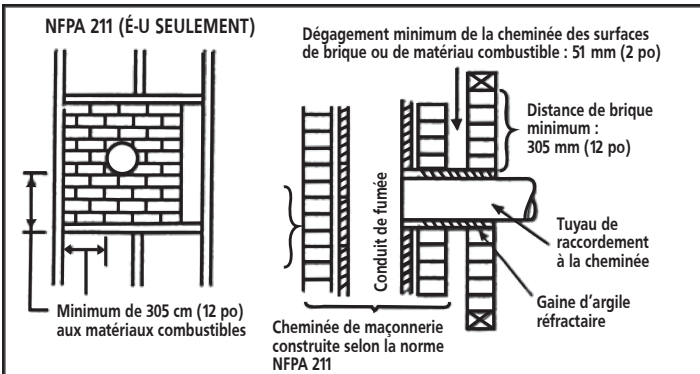


Figure 7 (É-U SEULEMENT)

Maçonnerie de brique : Maçonnerie de briques de 89 mm (3,5 po) d'épaisseur compris dans un mur de matériau combustible avec une séparation de brique d'un minimum de 305 mm (12 po) de la gaine d'argile aux matériaux combustibles. La gaine d'argile réfractaire devra couvrir l'étendue entre la surface extérieure du mur de brique jusqu'à atteindre la surface intérieure du conduit de cheminée, sans y pénétrer, et devra être bien cimentée en place.

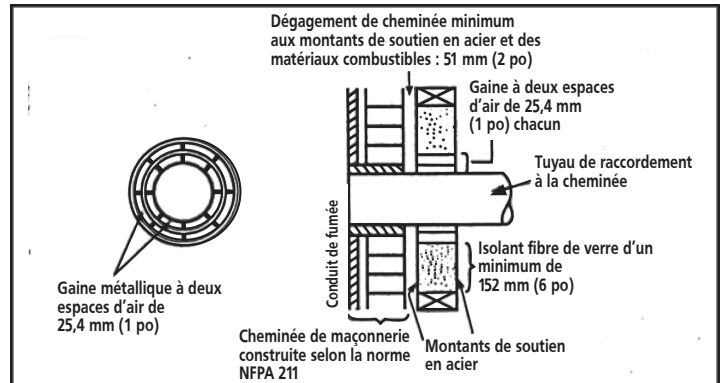


Figure 9 (É-U SEULEMENT)

Gaine à espaces d'air : Tuyau de raccordement à la cheminée d'épaisseur minimale de calibre n° 24 avec gaine métallique de calibre minimal n° 24 à deux espaces d'air de 25,4 mm (1 po) isolée des matériaux combustibles par au moins 152 mm (6 po) de fibre de verre. L'ouverture devra être recouverte et la gaine supportée par des montants d'acier de calibre minimum n° 24.

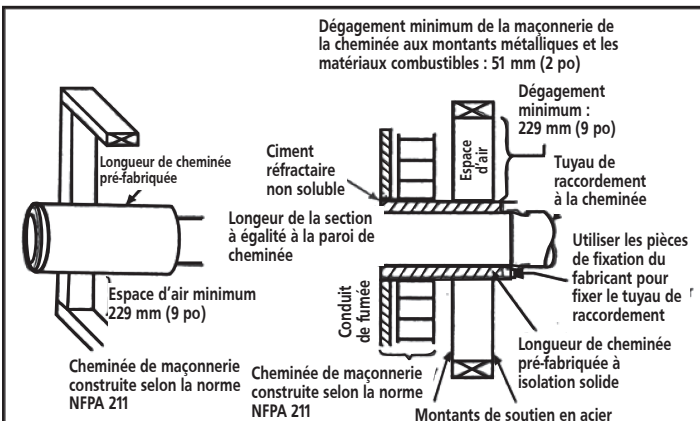


Figure 8 (É-U SEULEMENT)

Manchon isolé : Longueur de cheminée pré-fabriquée avec isolant solide de diamètre interne identique au raccord de sortie du poêle et 25,4 mm (1 po) ou plus d'isolant montée avec un minimum de 229 mm (9 po) d'espace d'air entre la paroi extérieure de celle-ci et des matériaux combustibles.

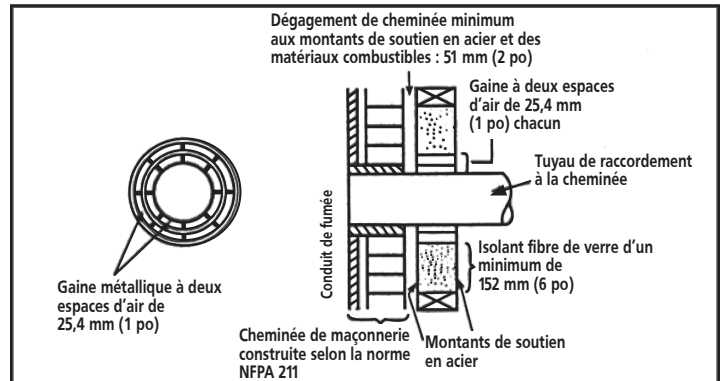


Figure 10 (É-U SEULEMENT)

Section de cheminée comme traversée : Longueur de cheminée pré-fabriquée à isolation solide d'au moins 25,4 mm (1 po) d'épaisseur ayant un diamètre intérieur 51 mm (2 po) plus grand que le tuyau de raccordement de tôle de calibre minimum n° 24 et dont tout matériau combustible se trouve à au moins 51 mm (2 po) de la paroi extérieure de la section de cheminée. La longueur minimale de la section de cheminée devra être de 305 mm (12 po) supportée par des montants métalliques à une hauteur laissant 25,4 mm (1 po) de dégagement autour du tuyau de raccordement. L'ouverture devra être recouverte et la section de cheminée supportée et fixée à deux montants d'acier de calibre minimum n° 24. La quincaillerie de fixation de la section de cheminée ne doit pas perforer sa paroi interne.

- Parafoudre adéquat pour utilisation dans les maisons mobiles.
- Solin de toit adéquat pour utilisation sur les maisons mobiles.

EXIGENCES D'INSTALLATION SUPPLÉMENTAIRES

- La cheminée devra être directement attachée à l'appareil de chauffage et devra dépasser le toit traversé d'au moins 0,9 m (3 pi).
- Le dessus de la cheminée devra dépasser d'au moins 0,6 m (2 pi) tout objet élevé dans un rayon de 3 m (10 pi) de la cheminée.
- Les sections d'extrémité de la cheminée devront pouvoir être démontées jusqu'à une hauteur de 4,1 m (13,5 pi) au-dessus du sol sans nécessiter d'équipement particulier.
- Le montage de la cheminée devra être sécurisé par une fixation mécanique au support du toit et du plafond.
- Exigences de gardes protectrices de cheminée :
 - Lorsque la cheminée sort de la maison mobile à un endroit autre qu'à travers le toit à une hauteur de moins de 2,1 m (7 pi) au-dessus du sol, une garde protectrice entourant la cheminée devra être installée sur toute la longueur de la cheminée en-dessous de 2,1 m (7,pi).
 - La garde protectrice ne devra pas comporter d'ouverture pouvant laisser pénétrer tout objet de diamètre de 19 mm (3/4 po) ou plus.
 - La garde protectrice ne devra pas comporter d'ouverture pouvant laisser pénétrer tout objet de diamètre de 16 mm (1/2 po) ou moins à plus de 102 mm (4 po) à l'intérieur.
- Le poêle doit être monté sur un plancher à niveau pouvant supporter son poids.
- Le poêle devra être boulonné à la surface au niveau de façon permanente pour ne pas qu'il puisse être déplacé, être basculé ou placé de façon compromettant une aération adéquate.
- Une canalisation permanente d'admission d'air frais pour entretenir la combustion devra être installée en répondant aux exigences suivantes :
 - La canalisation devra être totalement métallique sans comporter d'autre matériau tel le plastique.
 - Son extrémité devra posséder un grillage prévenant la vermine de s'y infiltrer.
 - La bouche d'entrée devra être libre en tout temps de feuilles, neige, glace ou autre débris pouvant restreindre l'alimentation d'air pour un fonctionnement adéquat de l'appareil.

- Les jonctions de tous les tuyaux de raccordement des deux systèmes d'aération (l'entrée et l'évacuation d'air) devront être scellées à l'aide de silicone résistant aux températures élevées.
- La cheminée devra être conforme à tous les codes applicables et exigences des autorités ayant juridiction.
- Si la maison mobile doit être déplacée, la cheminée devra être déposée et reposée selon les codes locaux à sa destination.

Le système du conduit de fumée est basé sur une pression négative dans la chambre à combustion et une légère surpression à la sortie des gaz. Il sera donc important que le raccordement de la tuyauterie soit bien ajusté et scellé.

⚠ ATTENTION : L'INTÉGRITÉ STRUCTURELLE DU PLANCHER, DES MURS, DU PLAFOND ET DU TOIT DEVRA ÊTRE MAINTENUE.

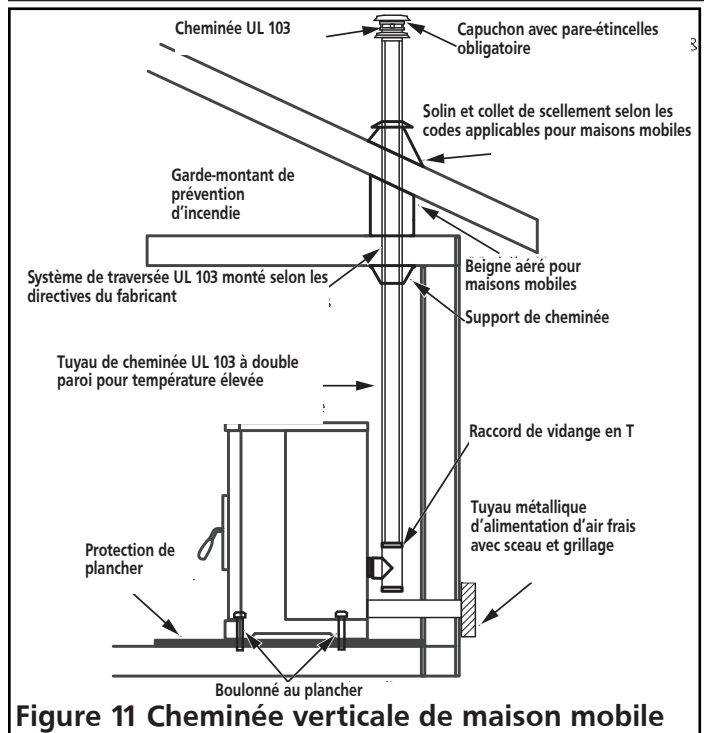


Figure 11 Cheminée verticale de maison mobile

INSTRUCTIONS ET SCHÉMA DE CHEMINÉE DE MAÇONNERIE AVEC CONDUIT DE FUMÉE

Ce poêle est conçu pour une évacuation par une cheminée de maçonnerie conforme au code du bâtiment et code des incendies locaux ainsi qu'aux dernières éditions des normes NFPA 211 aux États-Unis ou CSA-B365 au Canada.

1. Si la tuyauterie de raccordement du poêle à la cheminée de maçonnerie est faite à travers un mur de matériau combustible, consultez un maçon qualifié ou un dépositaire de cheminée pour des conseils. Pour garantir la sécurité de l'installation, celle-ci devrait seulement être faite par un

installateur qualifié. L'installation devra être faite en conformité aux règlements établis et aux codes du bâtiment et des incendies locaux.

2. Le tuyau de raccordement à la cheminée ne devra pas causer obstruction à l'intérieur du conduit de fumée comme montré à la figure 12 ci-dessous.

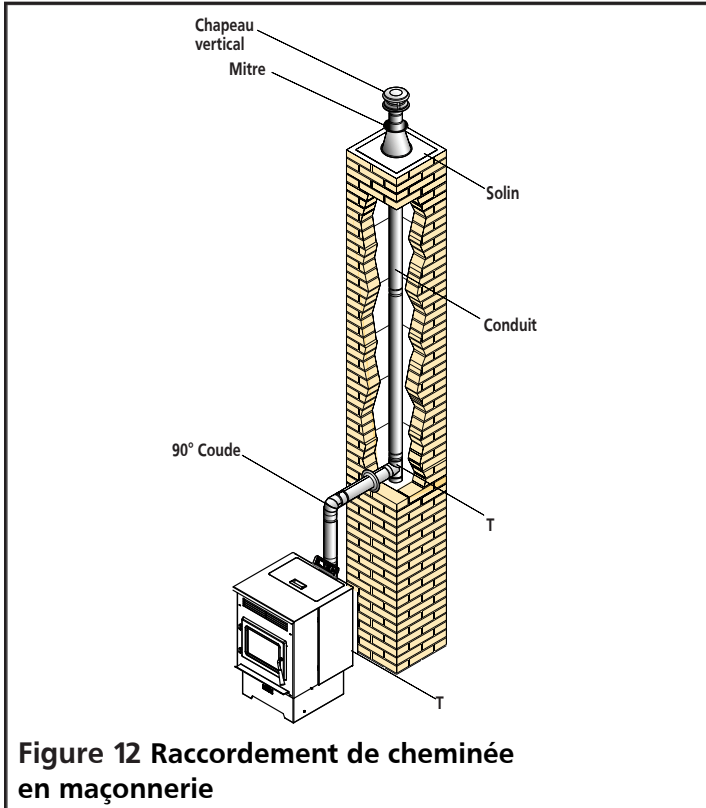


Figure 12 Raccordement de cheminée en maçonnerie

3. Toute ouverture à la base de la cheminée devra être fermée de façon étanche.

INSTRUCTIONS ET SCHÉMA DE CHEMINÉE PRÉFABRIQUÉE

⚠ AVERTISSEMENT : NE PAS SE SERVIR D'UN TUYAU DE POÊLE À PAROI UNIQUE COMME CHEMINÉE.

Ce poêle est conçu pour être utilisé soit avec une cheminée pré-fabriquée possédant un enregistrement UL 103HT (aux États-Unis) ou ULC-S629 (au Canada) ou avec une cheminée de maçonnerie avec conduit de fumée approuvée. Les cheminées pré-fabriquées ne sont pas toutes enregistrées UL103 HT/ULC-S629. Les centres de rénovation domiciliaires, les quincailleries et les magasins de fournitures CVCA ainsi que les sites Web de fabricants de cheminées pourront vous fournir des tuyaux de poêle isolés répondant à ces normes.

Cet enregistrement indique que ces produits sont conçus pour une température élevée jusqu'à 1149° C (2100° F).

N'assembler que des sections provenant du même fabricant. Ne pas utiliser des sections de différentes marques dans un même système d'aération.

Les illustrations ci-dessous montrent différentes méthodes et exigences d'utilisation de cheminée pré-fabriquée et des tuyaux de raccordement au poêle.

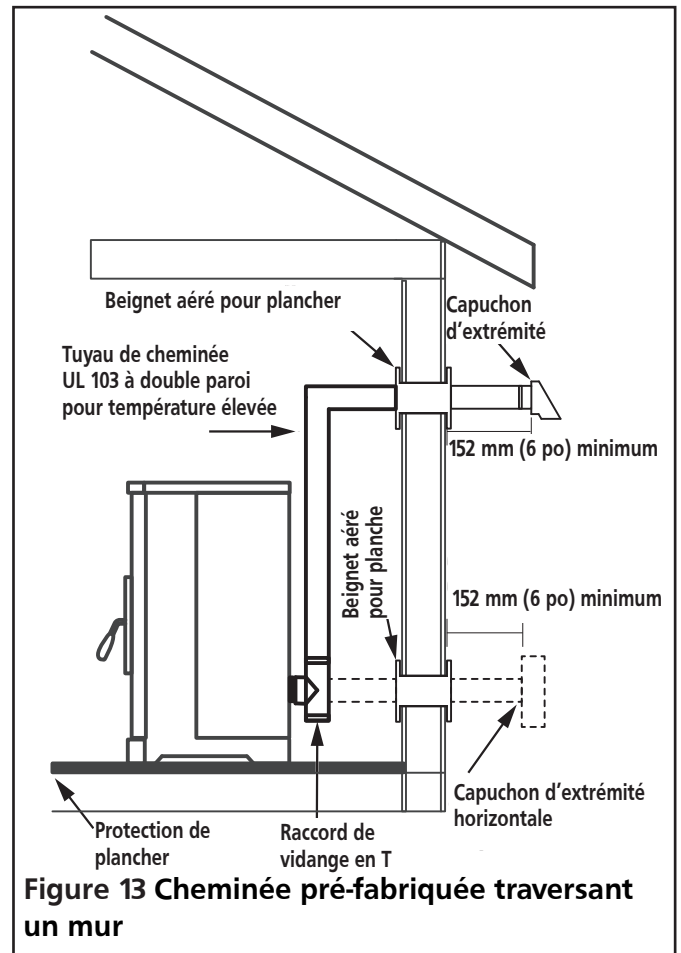


Figure 13 Cheminée pré-fabriquée traversant un mur

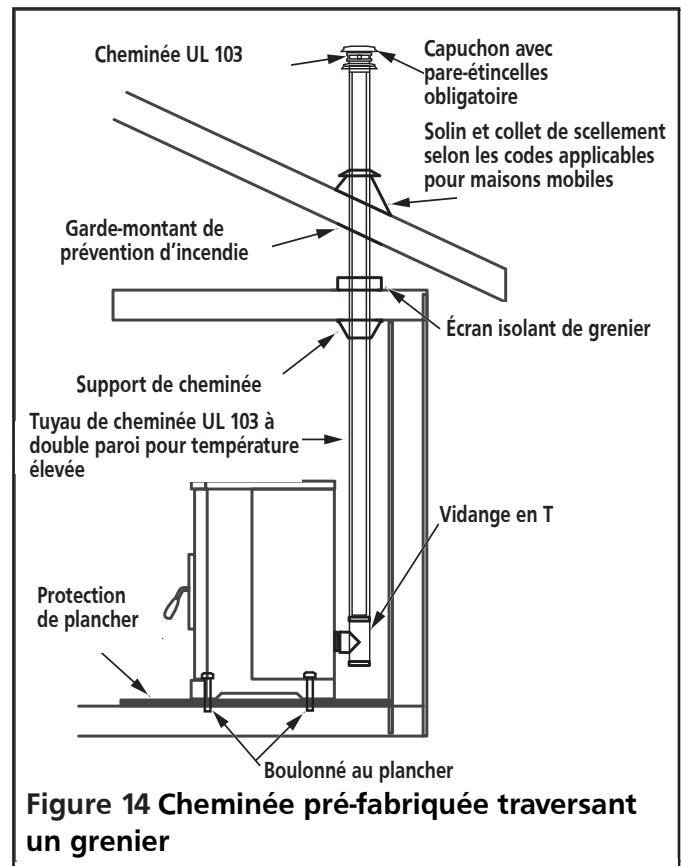


Figure 14 Cheminée pré-fabriquée traversant un grenier

FONCTIONNEMENT

THÉORIE DE FONCTIONNEMENT

1. La combustion se produit dans le pot du poêle qui est alimenté en air par des trous en périphérie et en-dessous de celui-ci. Veuillez noter que de l'air est soufflé par le dessus de la chambre de combustion, prévenant l'accumulation de cendre et de débris sur la porte.
2. Le ventilateur d'échappement aspire les produits consommés volatils et les expulse par la tuyauterie de sortie installée par l'utilisateur.
3. La tarière transfère les grenailles de la trémie au pot de combustion pour alimenter le feu.
4. Un ventilateur de l'appareil à convection fait circuler l'air sur les parois externes du pot à combustion propageant l'air chauffé dans la pièce.

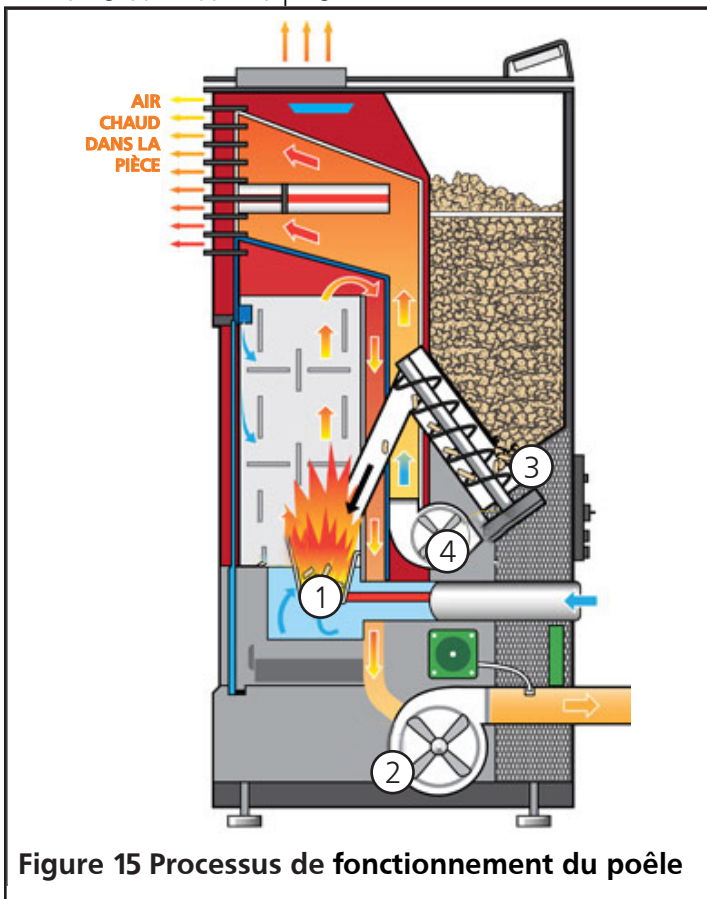


Figure 15 Processus de fonctionnement du poêle

COMBUSTIBLE APPROUVÉ :

Ne pas utiliser de grenailles de qualité inférieure à la première qualité PFI. Les grenailles de bois franc naturelles à 100 % (non traitées, sans agent agglomérant et d'un maximum de 5 % d'écorce) sont le seul combustible approuvé pour utilisation avec ce poêle. Pour un rendement maximum, voir les spécifications ci-dessous :

- Valeur calorifique de 5,3 kWh/kg
- Densité de 700 kg/m³
- Les grenailles devraient être à faible production de cendre (moins de 1 %)
- Les grenailles devraient être de moins de 30 mm de long et de diamètre entre 5 et 6,5 mm.

- Ne pas utiliser les sédiments et débris au fond des contenants de grenailles.
- Entreposer les grenailles dans des sacs à deux ou trois couches de papier (comme ceux des sacs de ciment) ou faits de produits synthétiques biologiquement dégradables et neutres au point de vue environnemental.

L'utilisation de grenailles de bois non conformes à ces spécifications pourrait résulter en des problèmes d'allumage, une plus grande production de crésote ou l'accumulation de cendres volatiles, de combustion incomplète, une faible production de chaleur et le noircissement de la porte vitrée.

⚠ ATTENTION : NE PAS SE SERVIR DE PRODUITS CHIMIQUES OU DE LIQUIDES POUR DÉMARRER LA COMBUSTION.

⚠ ATTENTION : NE PAS INSÉRER DE DÉCHETS OU DE PRODUITS INFLAMMABLES TEL L'ESSENCE, LE NAPHTA OU DE L'HUILE À MOTEUR DANS LE POT DE COMBUSTION.

⚠ ATTENTION : NE JAMAIS TENTER D'UTILISER UN DES PRODUITS ÉNUMÉRÉS CI-DESSOUS COMME COMBUSTIBLE :

- Produits du papier, carton ou panneau de particules;
- Déchets;
- Carcasses ou fumier d'animaux;
- Résidus de tonte de gazon ou déchets de cultures;
- Produits du pétrole usés;
- Charbon;
- Débris de construction ou de démolition;
- Traverses de chemin de fer ou bois traité sous pression;
- Matériaux comprenant
 - amiante
 - plastic
 - caoutchouc (pneus compris)
- Produits du pétrole tel
 - peintures
 - solvants à peinture
 - produits d'asphalte

BRÛLER CES MATÉRIELS POURRAIT CRÉER DES ÉMANATIONS TOXIQUES OU RENDRE LE POÊLE INUTILISABLE ET DÉGAGER DE LA FUMÉE

Ne pas remiser les grenailles de bois ou d'autres produits d'allumage sur le protecteur de plancher, sous le tuyau de raccordement à la cheminée ou n'importe où à une distance inférieure aux dégagements minimum des surfaces combustibles indiqués à la page 5.

Les grenailles de bois devraient être entreposées dans un endroit sec et bien aéré.

⚠ MISE EN GARDE : NE PAS stocker les granulés non utilisés dans le poêle pour une utilisation ultérieure, car ils pourraient accumuler de l'humidité. L'utilisation de granulés humides ou mouillés peut entraîner des difficultés d'allumage, une combustion incomplète et un risque d'incendie dans la trémie.

PRÉCAUTIONS POUR LE FONCTIONNEMENT

⚠ AVERTISSEMENT : BRÛLANT DURANT LE FONCTIONNEMENT. NE PAS TOUCHER LE POÊLE. GARDER LES ENFANTS, LES VÊTEMENTS ET L'AMEUBLEMENT ÉLOIGNÉS. LE CONTACT POURRAIT CAUSER DES BRÛLURES.

⚠ ATTENTION : AVANT D'UTILISER LE POÊLE S'ASSURER QUE LE POT DE COMBUSTION ET LE CABARET SOUS-JACENT SONT PROPRES ET BIEN POSITIONNÉS.

⚠ AVERTISSEMENT : NE JAMAIS UTILISER DE LIQUIDE D'ALLUMAGE DE CHARBON, DE KÉROSÈNE, D'HUILE À LAMPE OU D'ESSENCE POUR ALLUMER OU RÉ-ACTIVER LE FEU DANS CETTE UNITÉ. GARDER TOUTES CES SUBSTANCES BIEN À L'ÉCART DU POÊLE LORS DE SON FONCTIONNEMENT.

POLYMÉRISATION DE LA PEINTURE

Pour permettre à la peinture de se lier au poêle de façon durable, faites-le chauffer au réglage haut (P1) durant 60 minutes. Pour évacuer les émanations de fumée ou odeurs créées par ce processus de cure, ouvrez portes et fenêtres opposées de la pièce.

PROCÉDURE DE FONCTIONNEMENT : ALLUMAGE DU POÊLE

REMARQUE : Si l'afficheur indique que le cycle d'extinction est en cours (« Switching Off »), ce cycle ne pourra être annulé. En cas de tentative, un message indiquera que le cycle ne peut être interrompu. Le poêle pourra seulement être rallumé après que le cycle d'extinction sera terminé après que l'échangeur de chaleur aura refroidi.

REMARQUE : NE PAS UTILISER DE GRILLE, FER OU TOUT AUTRE DISPOSITIF POUR PLACER LES GRENAILLES DE BOIS DANS LE POT DE COMBUSTION. SEUL LE POT LUI-MÊME, PARTICULIER À VOTRE MODÈLE DE POÊLE, DOIT ÊTRE UTILISÉ.

1. Branchez le cordon d'alimentation dans la prise située à l'arrière du poêle et appuyez sur l'interrupteur à bascule rouge MARCHE/ARRÊT situé au-dessus sur MARCHE. Voir Figure 16.

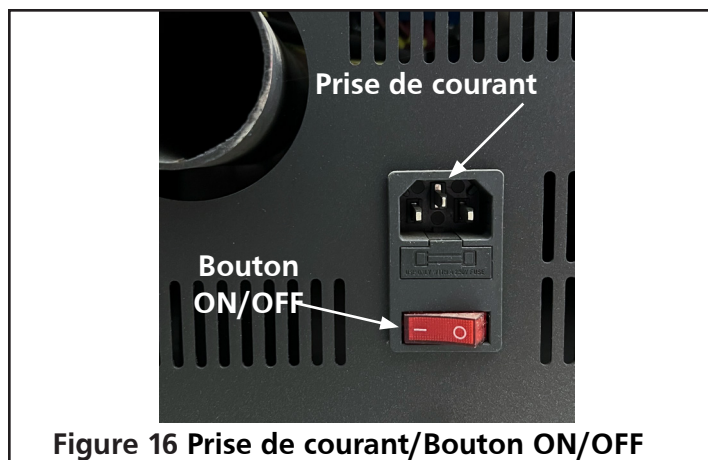



Figure 16 Prise de courant/Bouton ON/OFF

REMARQUE: POUR EMPÊCHER LE POÊLE DE FONCTIONNER, ÉTEINDRE L'INTERRUPTEUR D'ALIMENTATION ROUGE EN BAS, À L'ARRIÈRE DU POÊLE.

2. S'assurer que les joints d'étanchéité de la porte et du tiroir de cendre sont en bon état. Pour la première opération, ajouter une poignée de grenailles directement dans la chambre de combustion. Fermer le tiroir de cendre et les portes hermétiquement et s'assurer que les panneaux latéraux ont bien été installés.
3. Ouvrez la trémie. Assurez-vous qu'elle est suffisamment remplie. Refermez la trémie.
4. Appuyez sur le bouton d'alimentation  durant 3 secondes. Le poêle procédera automatiquement à effectuer ce qui suit :
 - Cycle de nettoyage : Le pot de combustion est nettoyé des cendres, poussières et résidus accumulés.
 - Cycle d'alimentation : Les grenailles passeront de la trémie au pot de combustion par l'entremise de la tarière. Selon le modèle de poêle, ceci pourra prendre de 5 à 15 minutes.
 - Cycle d'allumage : L'allumeur à surface chaude électrique sera tout le cycle d'allumage et pendant quelques minutes après que le poêle se sera stabilisé et pour entamer la combustion des grenailles dans le pot. L'allumeur demeurera activé jusqu'à ce que la température de l'air/fumée d'échappement atteigne le seuil de température de fonctionnement autonome.
 - Cycle de stabilisation : Le système ajustera les fonctions pour procurer la température désirée. La stabilisation se poursuivra jusqu'à ce que le poêle lise la température souhaitée par le thermostat.
5. Le poêle est alors allumé.

PROCÉDURE DE FONCTIONNEMENT : EXTINCTION DU POÊLE

⚠ ATTENTION : APRÈS LE CYCLE DE REFROIDISSEMENT, LE POÊLE COMMENCERA AUTOMATIQUÉMENT UN NOUVEAU CYCLE DE FONCTIONNEMENT.

REMARQUE : LE POÊLE PEUT ÊTRE ÉTEINT DURANT TOUS LES CYCLES INDIQUÉS À L’AFFICHEUR EN ACTIONNANT ET MAINTENANT LE BOUTON D’ALIMENTATION DURANT TROIS SECONDES. UNE FOIS QUE L’AFFICHEUR INDIQUE QUE LE POÊLE EST EN MODE DE STABILISATION, ACTIONNEZ LE BOUTON D’ALIMENTATION UNE AUTRE FOIS. LE POÊLE SE METTRA EN CYCLE DE REFROIDISSEMENT (AFFICHÉ À L’ÉCRAN).

- Appuyez sur le bouton d’alimentation durant 3 secondes. Le poêle procédera automatiquement à effectuer ce qui suit :
 - Arrêt du chauffage : Les grenailles se trouvant dans la chambre de combustion continueront à se consommer et produire flamme et chaleur. Elles devraient être toutes consommées après 5 à 8 minutes. L’échangeur de chaleur pourra alors commencer à refroidir.
 - Goodbye : Le dernier message présenté à l’afficheur indiquant que le poêle s’est refroidi.
- Le poêle est alors éteint.

FONCTIONNEMENT AVEC UNE GÉNÉRATRICE ÉLECTRIQUE

Ce poêle est conçu pour avoir l’option d’être alimenté par une génératrice électrique, mais les génératrices ne sont pas toutes compatibles pour fonctionner avec cet appareil. Consultez les spécifications de votre génératrice concernant son régulateur de tension et assurez-vous qu’elles correspondent aux exigences de votre poêle telles qu’indiquées à la page 3.

COMMENT MINIMISER LA FORMATION DE CRÉOSOTE

Pour les explications concernant la formation et le nettoyage de créosote, voir ENTRETIEN on page 17. Pour ralentir l’accumulation de créosote dans votre cheminée, n’utilisez que les grenailles recommandées à la page 12.

DISPOSITION DES CENDRES

⚠ ATTENTION : DES BRAISES POURRAIENT SE TROUVER SOUS LA CENDRE. POUR LA MANIPULATION DES CENDRES UTILISEZ TOUJOURS DES OUTILS POUR CHARBONS ARDENTS, JAMAIS AVEC VOS MAINS! PORTER DES VÊTEMENTS IGNIFUGES ET UNE PROTECTION OCULAIRE.











Les cendres devraient être placées dans un contenant métallique avec un couvercle hermétique.

- D’autres rebuts ne doivent pas être mis dans le contenant de cendres.
- Le contenant de cendres fermé devrait être placé sur un plancher non combustible ou sur le sol, éloigné de tout matériau combustible jusqu’à ce qu’il soit refroidi.
- Les résidus minéraux du bois (environ 1 à 2 %) demeurent dans les cendres et sont un excellent fertilisant naturel pour tous les plants de jardin. Avant de disposer des cendres

en les enfouissant dans le sol ou en les dispersant d’autre façon, elles devraient être gardées dans le contenant fermé jusqu’à ce que toutes les braises aient refroidi et elles devraient également être éteintes avec de l’eau.

Fonctionnalité des boutons de la télécommande :

Les boutons de la télécommande affecteront le poêle de la même façon que les boutons sur l’appareil tel que défini en v :

Bouton de télécommande	Équivalent sur l’appareil
	
	
	
	
	

Remarque : Aucun témoin ou afficheur ne se trouve sur la télécommande, confirmant l’activation de la commande. Pour vérifier l’état de fonctionnement du poêle, installez l’application Smart Stove sur votre téléphone intelligent.

CONNEXION WI-FI « SMART STOVE »

L’état de votre poêle peut être surveillé, contrôlé et programmé en utilisant l’application Smart Stove. (par NHHATC) qui est disponible à votre magasin d’applications pour les plateformes iOS ou Android.

Étape 1. Téléchargez l’application Smart Stove de NHHATC

Étape 2. Ouvrez l’application Smart Stove. L’application s’ouvre, par défaut, à l’écran « S’inscrire ». Cliquez sur le bouton « S’inscrire ».

Étape 3. Entrez votre adresse courriel dans le champ « Courriel » et cliquez sur le bouton « Obtenir le code de vérification ».

Étape 4. Entrez le code de vérification qui vous a été envoyé par courriel dans le champ « Saisir le code de vérification ».

Étape 5. vous pouvez maintenant définir un mot de passe unique pour votre appareil dans le champ « Définir le mot de passe » et cliquer sur le bouton « Terminé ».

Étape 6. Si vous n’avez pas d’autres dispositifs Wi-Fi déjà actifs sur cette application, un gros bouton «Ajouter un appareil» se trouvera au centre de l’écran sur lequel vous pouvez taper. Autrement, sélectionnez le signe + du coin supérieur droit de l’écran.

Étape 7. Assurez-vous que le poêle se connecte au réseau Wi-Fi accédé par votre dispositif.

Étape 8. Assurez-vous que le poêle est branché dans une prise électrique et qu'il peut être mis en marche.

Étape 9. Suivez les directives à l'écran en appuyant et maintenant le bouton de connexion à l'arrière de l'afficheur durant 3 secondes comme montré ci-dessous. Lorsque la séquence de clignotement de recherche du témoin s'active, appuyez sur le bouton de confirmation au bas de l'écran.

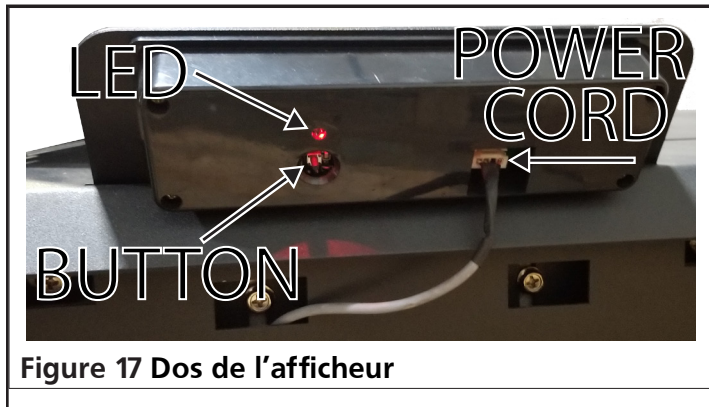


Figure 17 Dos de l'afficheur

Étape 10. Saisissez le mot de passe du réseau wi-fi de sorte que le poêle puisse se connecter au réseau.

Étape 11. Le poêle commencera la procédure d'appariement avec le dispositif utilisant l'application par l'entremise du réseau wi-fi. Ce processus pourrait prendre quelques minutes.

Étape 12. Après que le dispositif et l'appareil seront appariés vous pourrez voir l'icône du poêle à grenailles sous l'onglet « Devices » au bas de l'écran.

Étape 13. Sur votre dispositif, naviguez à vos vos réglages de dispositifs wi-fi qui comprendront maintenant le poêle comme un des choix. Sélectionnez le poêle comme votre connexion wi-fi.

Étape 14. Ouvrez à nouveau l'application Smart Stove sur votre téléphone.

Étape 15. Vous pouvez maintenant sélectionner ce poêle à partir de la liste des dispositifs ajoutés pour programmer, commander et surveiller le fonctionnement du poêle.

COMMANDES WI-FI

Une fois connecté au poêle (voir l'étape 11 de Connexion Wi-Fi), vous pourrez ajuster et surveiller le fonctionnement du poêle à distance. Voir les explications ci-dessous :

- Nom du dispositif : Il est possible de changer le nom du poêle pour différencier l'appareil commandé en utilisant l'application « Smart Stove » (si vous avez plus d'un poêle).

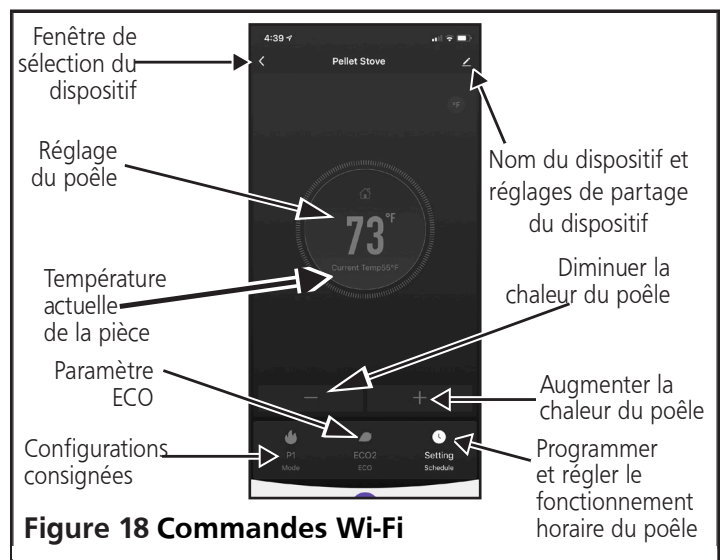
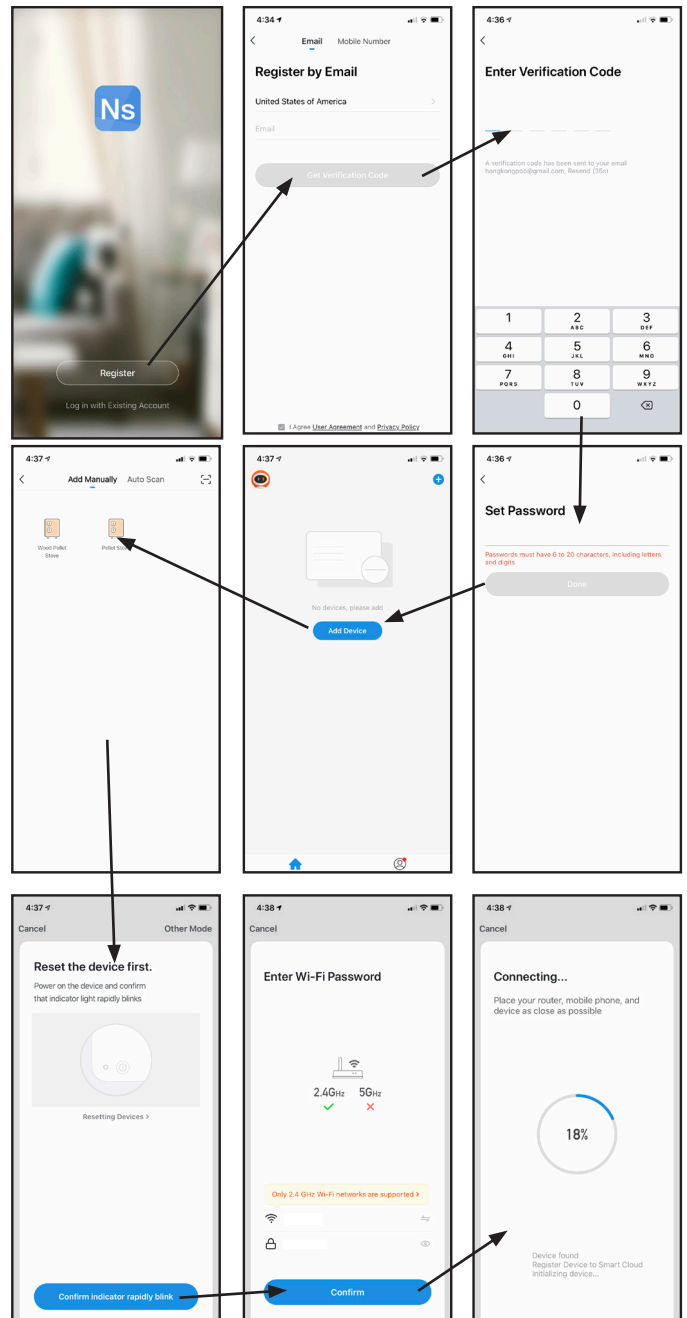


Figure 18 Commandes Wi-Fi

COMMANDES MULTI-FONCTIONS POUR PS60W, PS130W ET PSBF66W

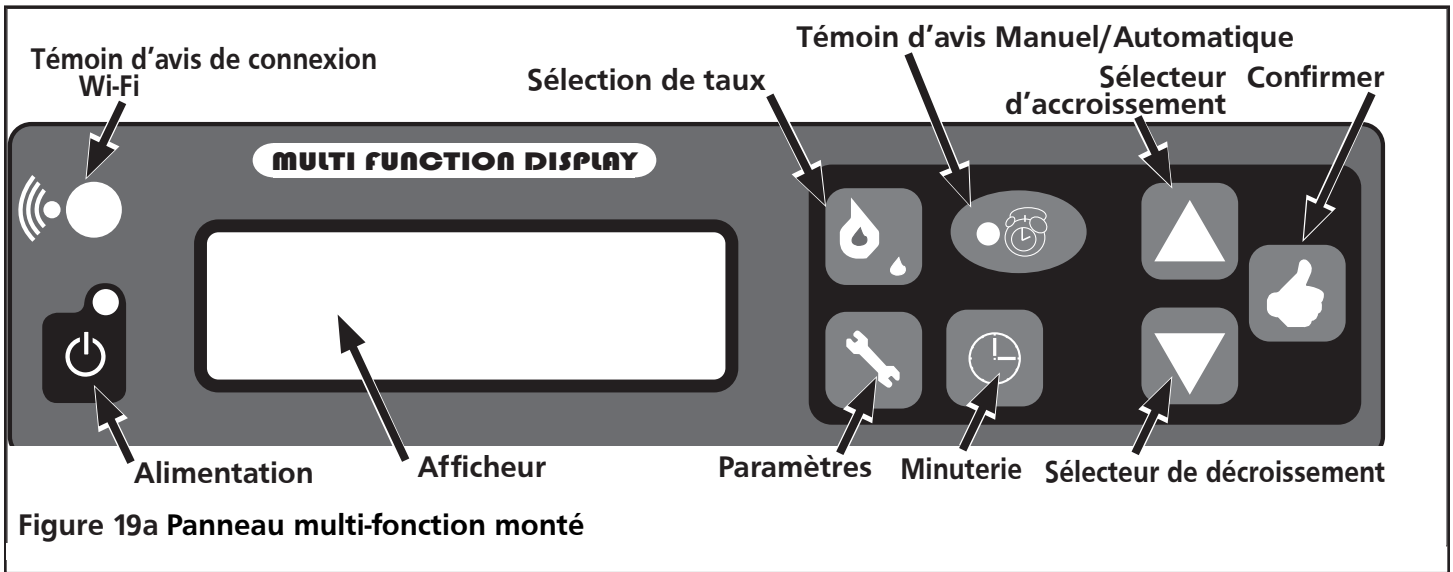


Figure 19a Panneau multi-fonction monté

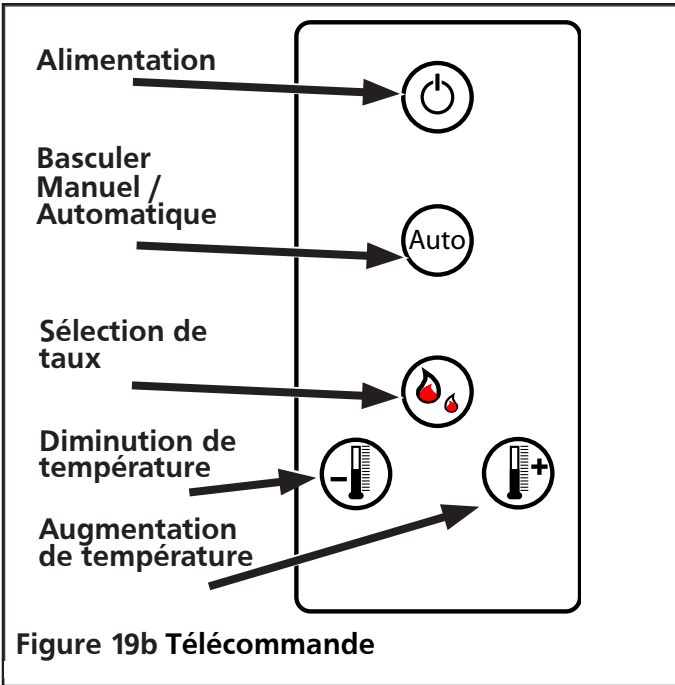


Figure 19b Télécommande

Fonctionnalité des boutons présents : Fonctionnement normal

- Le témoin s'allume lorsque le poêle est branché dans une prise électrique.
- Actionner le bouton d'alimentation pour allumer l'afficheur pour régler les paramètres. S'il n'y a pas d'interaction, l'afficheur s'éteindra après 10 secondes.
- Pour lancer l'allumage du poêle, actionner et maintenir le bouton d'alimentation durant 3 secondes.
- Pour lancer le cycle d'extinction, actionner et maintenir le bouton d'alimentation durant 3 secondes.

ATTENTION : Le fabricant a programmé les taux consignés pour garantir un fonctionnement convenable. Il est déconseillé de modifier ces consignes.

	Actionner pour faire défiler les lectures de température (en Fahrenheit) (dans le coin supérieur droit de l'afficheur multi-fonction) : <ul style="list-style-type: none"> • ##(R) : Température de la pièce • ##(S) : Température d'échappement • ##(P) : Réglage du capteur de protection
	Actionner pour augmenter la température à laquelle le poêle devra réchauffer la pièce. Cette valeur est affichée au coin supérieur droit de l'afficheur multi-fonction sous l'indicatif ##°F.
	Actionner pour diminuer la température à laquelle le poêle devra chauffer la pièce. Cette valeur est affichée au coin supérieur droit de l'afficheur multi-fonction sous l'indicatif ##°F.
	Actionner pour faire basculer entre la commande manuelle et la commande programmée. En mode de commande programmée, l'icône s'allumera.
	L'actionnement du sélecteur de taux fera défiler les quatre consignes de chauffage configurées. La consigne actuellement réglée est affichée en haut au centre de l'afficheur multi-fonction sous l'indicatif P#. <ul style="list-style-type: none"> • P1 [réglage de chauffage maximum] • P2 [réglage de chauffage intermédiaire] • P3 [réglage de chauffage bas] • P4 [réglage de chauffage minimum]
	<ul style="list-style-type: none"> • Actionner et maintenir le bouton de paramétrage durant 2 secondes pour accéder au menu de configuration. • Pour quitter en tout temps le menu de configuration, actionner le bouton de paramétrage.

- Partage du dispositif : il est possible de partager la connexion au poêle avec d'autres dispositifs par messagerie SMS ou par courriel.
- Eco Mode : Il existe deux modes ECO pouvant être sélectionnés qui économiseront les granulés de bois tout en maintenant la température désirée. L'actionnement du bouton ECO permettra de basculer entre ces modes ou de les ignorer.
 - ECO 1 : Le poêle s'éteint lorsque la température désirée est atteinte. Il se rallumera à une température de la pièce pré-réglée en usine.
 - ECO 2 : Lorsque la température désirée est atteinte, le poêle passe en chauffage minimum (pré-réglage P4). Il se remettra à un réglage plus élevé lorsque la température de la pièce aura descendu à la température pré-réglée en usine.
- Configurations consignées : Quatre configurations peuvent être sélectionnées qui contrôlent la vitesse du ventilateur de combustion et du ventilateur de circulation d'air dans la pièce. L'actionnement du bouton Configurations consignées permettra de défiler entre les différentes configurations consignées ou d'ignorer les pré-réglages.
 - P1 [réglage de chauffage maximum]
 - P2 [réglage de chauffage intermédiaire]
 - P3 [réglage de chauffage bas]
 - P4 [réglage de chauffage minimum]

OPÉRATION MANUELLE DU POÊLE

AJUSTER LA VIS À GRANULES

(TAUX DE DISTRIBUTION DES GRANULES)

1. Utilisez le bouton Rate Select pour passer d'un réglage à l'autre, P1, P2, P3, P4. Les taux de distribution sont les suivants :

P1 : Taux de distribution [Maximum] des granulés

P2 : Taux de distribution [Moyen] des granulés

P3 : Taux de distribution [Bas] des granulés

P4 : Taux de distribution [Minimum] des granulés

Remarque : Si nécessaire, appuyez et maintenez enfoncé le bouton « Temps » pendant 2 à 5 secondes pour faire tourner la tarière.

AJUSTER LES VENTILATEURS

1. Tenez enfoncé le bouton Settings pendant 2 secondes.
2. Appuyez sur le bouton Confirm pour passer d'un réglage de taux de distribution des granulés à l'autre, tour à tour.

3. Ajustez le réglage « S » pour le ventilateur d'aération et le réglage « F » pour le ventilateur de soufflage en employant les boutons de sélection vers le haut et le bas.
4. Utilisez le bouton Time pour choisir le mode « S » ou « F ».

Remarque : Plus le réglage est bas, plus le ventilateur est lent. Ne changez les réglages que quelques chiffres à la fois.
5. Appuyez sur le bouton Settings pour revenir à l'écran d'accueil.

POUR CHANGER L'HEURE (HORLOGE 24 HEURES)

1. Tenez enfoncé le bouton Settings pendant 2 secondes.
2. Appuyez sur le bouton Confirm pour vous rendre à Modify Clock.
3. Utilisez le bouton Time pour passer des heures aux minutes.
4. Utilisez les boutons de sélection vers le haut et le bas pour changer l'heure actuelle.
5. Appuyez sur le bouton Settings pour revenir à l'accueil.

POUR FAIRE LE RÉGLAGE MARCHE/ARRÊT AUTOMATIQUE

1. Tenez enfoncé le bouton Settings pendant 2 secondes.
2. Parcourez les réglages avec le bouton Confirm jusqu'à ce que les jours de la semaine soient visibles.
3. Utilisez le bouton Time pour changer la journée.
4. Utilisez les boutons de sélection vers le haut et le bas pour indiquer quand le poêle doit être en marche ou éteint.

Remarque: La longue case signifie EN MARCHE, la case courte signifie ARRÊTÉ.

Remarque: Chaque case représente une heure de la journée sur une période de 24 heures. La première case est donc 0 h (minuit) et la dernière est 23 h (11 h du soir).

5. Appuyez sur le bouton Settings pour revenir à l'accueil.

CHANGER LES MODES ECO

1. Tenez enfoncé le bouton Settings jusqu'à ce que le poêle fasse entendre une tonalité.
2. Appuyez sur le bouton Confirm (sans le tenir enfoncé) sept fois de suite pour vous rendre à l'écran « Eco Mode ».
3. Appuyez sur le bouton Time pour circuler entre les différents modes Eco choisis.

4. Appuyez sur le bouton Settings pour revenir à l'écran d'accueil.

ECO 1 MODE

ECO 1: Le poêle s'arrête une fois que la température désirée est atteinte. Le poêle se remet en marche une fois que la pièce refroidit à la température réglée en usine.

ECO 2 MODE

ECO 2: Le poêle passe au réglage de puissance minimum P4 lorsque la température désirée est atteinte. Le poêle passe à un réglage de puissance plus élevé une fois que la pièce refroidit à la température réglée en usine.

TOUCHE DE COMMANDE

	CONFIRMATION (« CONFIRM »)
	BOUTON DE SÉLECTION VERS LE HAUT
	BOUTON DE SÉLECTION VERS LE BAS
	HEURE (« TIME »)
	RÉGLAGES (« SETTINGS »)
	SÉLECTION DU TAUX (« RATE SELECT »)

ENTRETIEN

Pour un bon rendement de fonctionnement ce poêle à grenailles de bois nécessite un entretien périodique. Toute opération ne respectant pas les directives du présent Guide du propriétaire contrevient à la réglementation fédérale.

⚠ ATTENTION : ÉTEINDRE ET DÉBRANCHER LE POÊLE DE LA PRISE DE COURANT AVANT TOUT ENTRETIEN.

⚠ ATTENTION : LAISSER LE POÊLE SE REFROIDIR AVANT D'EFFECTUER TOUT ENTRETIEN.

⚠ ATTENTION : DURANT TOUT DÉMONTAGE OU REMONTAGE, PRENDRE GARDE DE NE PAS ÉCHAPPER QUOI QUE CE SOIT (VIS ETC.) DANS LA TRÉMIE. LES DÉBRIS PEUVENT BLOQUER LA TARIÈRE ET ENDOMMAGER LE POÊLE.

La fréquence à laquelle votre poêle nécessitera un nettoyage et un entretien dépendra de la qualité des grenailles utilisées. Leur haut taux d'humidité ou l'utilisation de fragments poussiéreux ou comprenant des cendres pourrait faire doubler le besoin d'entretien du poêle. Utilisez seulement les grenailles de bois approuvées.

À chaque jour, nettoyez le pot de combustion et le cabaret de récupération alors que le poêle est refroidi, qu'il est débranché et qu'il ne s'y trouve pas de braises chaudes. À l'aide d'un aspirateur, nettoyez le pot de combustion de ses cendres et débris et puis soulevez le pot pour nettoyer le cabaret sous-jacent. Il est important que les ouvertures d'aération du pot ne soient pas obstruées de cendres ou de débris.

Un calendrier de nettoyage général serait comme suit :

- Pot de combustion : Après 10 sacs de grenailles de bois, ou de façon quotidienne. Selon la première éventualité.
- Tiroir de cendre : Après 50 sacs de grenailles de bois
- Canalisations internes : Après 100 sacs de grenailles de bois
- Ventilateur : Après 100 sacs de grenailles de bois

IMPORTANT: Il faut aussi s'assurer de vous référer au supplément concernant l'horaire de nettoyage, à la fin de cette section.

NETTOYAGE : POT DE COMBUSTION ET CABARET

⚠ ATTENTION : SI LE POÊLE EST POUR SERVICE CONTINU, IL DEVRA ÊTRE ÉTEINT AUX INTERVALLES DE 24 HEURES POUR NETTOYER LE POT DE COMBUSTION ET LE CABARET. LAISSER TOUJOURS LE POÊLE REFROIDIR ET LES BRAISES S'ÉTEINDRE AVANT LE NETTOYAGE.

Assurez-vous de replacer le pot de combustion dans la bonne orientation de sorte que les grenailles puissent être alimentées et allumées sans problème.

NETTOYAGE : VITRE

⚠ AVERTISSEMENT : NE PAS NETTOYER LA VITRE LORSQUE CHAUDE.

Bien que la circulation d'air sur la porte vitrée réduit l'accumulation de cendre acide sur la vitre, son nettoyage sera quand-même requis périodiquement. Le nettoyage est nécessaire pour prévenir l'affaiblissement du verre, ce qui pourrait augmenter son risque de fendillement. Il n'est pas acceptable de faire fonctionner un poêle avec une vitre fendillée ou brisée.

Le meilleur moyen de nettoyer la porte vitrée est d'utiliser un linge humide enduit de cendres refroidies. Pour la saleté incrustée consultez votre quincailler ou un expert d'entretien de poêles pour des conseils de produits nettoyants.

⚠ AVERTISSEMENT : NE PAS NETTOYER LA VITRE AVEC UN PRODUIT ABRASIF OU TOUT AUTRE MOYEN QUI POURRAIT ÉGRATIGNER OU ENDOMMAGER LE VERRE.

NETTOYAGE : CANALISATIONS D'ENTRÉE ET DE SORTIE

Le canalisation d'entrée et de sortie devraient être nettoyées au moins une fois par année. La consommation de grenailles produisant un taux élevé de cendres pourrait nécessiter un nettoyage plus fréquent de canalisation.

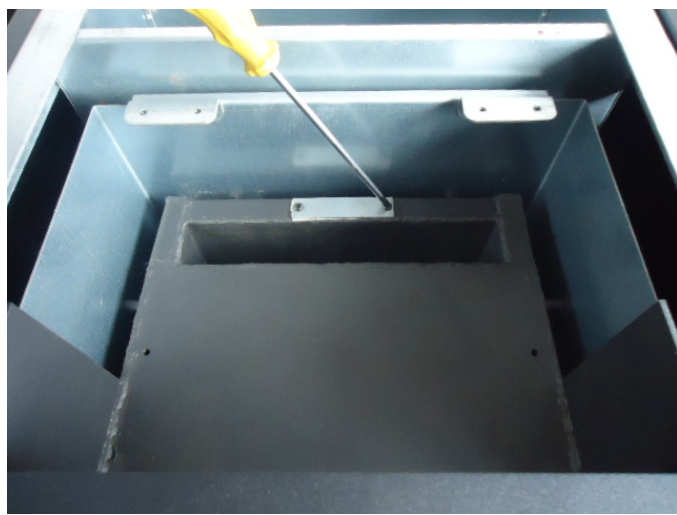


Figure 20 Canalisation de sortie

Un panneau d'accès se trouve de chaque côté du poêle qui peut être déposés en dévissant ses vis de fixation. Voir les figures 21, 24 et 25. Éteindre le poêle, le laisser se refroidir et le débrancher avant tout démontage et nettoyage.

Utiliser une brosse dans les ouvertures pour dégager toute accumulation de cendre et nettoyer à l'aide d'un aspirateur. Remettre les panneaux en place et les fixer solidement avec leurs vis à tête Allen.

Deux autres ouvertures des canalisations d'entrée et de sortie sont accessibles en déposant le tiroir de cendre. Desserrer les deux vis de 5/32 po à tête Allen montrées à la Figure 20. Faire pivoter les couvercles pour exposer l'ouverture. À l'aide d'une brosse, dégager toute accumulation de cendre. Utiliser une brosse dans les ouvertures pour dégager toute accumulation de cendre et nettoyer à l'aide d'un aspirateur. Replacer les couvercles devant les ouvertures et les fixer solidement avec leurs vis à tête Allen.

NETTOYAGE : VENTILATEUR DE CONVECTION

En vous tenant devant le poêle, vous trouverez le moteur du ventilateur faisant circuler l'air autour du pot et le dirigeant dans la pièce, sur le côté droit. Pour y accéder, ouvrir et déposer le panneau latéral. Nettoyez le ventilateur de convection au besoin alors que le poêle est refroidi, qu'il est débranché et qu'il ne s'y trouve pas de braises chaudes. Lors de l'opération de nettoyage, prenez garde de ne pas endommager les pales du ventilateur. A l'aide d'un aspirateur, nettoyer toute accumulation de poussière sur les pales du ventilateur et à l'intérieur de la canalisation.



PS130W



PS60W, PSBF66W

Figure 21 Démontage du ventilateur de convection

NETTOYAGE : TUYAU DE SORTIE D'ÉCHAPPEMENT

Inspecter le système d'aération de sortie au moins une fois par année et déterminez si un nettoyage est requis. Des cendres, de la suie et de la crésote peuvent se produire durant le démarrage, l'extinction et le mauvais fonctionnement. Pour nettoyer le système d'aération, insérez une brosse de nettoyage de dimension appropriée dans le tuyau pour dégager et retirer toute cendre ou accumulation de débris. L'accumulation de débris et les cendres peuvent restreindre le débit de gaz qui affectera la performance du poêle, et ne pas retirer la crésote pourrait résulter en un dangereux feu de cheminée.

CENDRES VOLANTES - FORMATION ET BESOIN DE RETIRER

Les produits de combustion comprendront de petites particules de cendres volantes. Les cendres volantes s'accumuleront dans le système d'échappement et restreindront l'évacuation des gaz de sortie. La combustion incomplète qui se produit durant le démarrage, l'extinction ou lors de mauvais fonctionnement du poêle conduira à la formation de suie qui s'accumulera dans le système d'échappement des gaz. Le système d'aération de sortie devra être inspecté au moins une fois par année pour déterminer si un nettoyage est requis. Pour dégager les accumulations de la canalisation, utilisez une brosse de cheminée de taille appropriée.

CRÉOSOTE - FORMATION ET BESOIN DE RETIRER

Ne pas retirer la crésote pourrait résulter en un dangereux feu de cheminée.

Lorsque les grenailles de bois sont consommées à basse température elles produisent des émanations organiques qui, combinées à l'humidité dégagée produit de la crésote. Les émanations de crésote se condensent dans les gaz relativement frais de la cheminée devenant un combustible potentiel d'allumage et elles s'accumulent sur la paroi de

la cheminée. Si allumée, la créosote dégage une chaleur extrême. Le tuyau de raccordement à la cheminée devrait être inspecté au moins à tous les deux mois durant la saison d'utilisation pour déterminer si une accumulation de créosote s'est produite. Si l'accumulation atteint 3 mm (1/8 po) elle devra être retirée pour éliminer le danger de feu de cheminée. Pour dégager les accumulations du tuyau, utilisez une brosse de cheminée de taille appropriée.

Sachez que sous chauffage modéré en début et fin de saison une plus grande formation de créosote sera probable et un nettoyage hebdomadaire pourrait être requis alors qu'en chauffage plus élevé durant l'hiver un nettoyage mensuel pourrait suffire. Pour apprendre comment traiter un feu de cheminée, communiquez avec les autorités ou le service d'incendie de votre localité. En tant que préparation, ayez un plan de réaction précis pour éteindre les feux de cheminée.

REPLACEMENTS : VITRE

Tout bris de vitre ne devra être adressée que par le remplacement de la porte complète fournie par le fabricant. Voir pages 32 à 34.

⚠ AVERTISSEMENT : L'UTILISATION DE MATÉRIAU SUBSTITUT POURRAIT BRISER LA VITRE ET CAUSER DES BLESSURES.

REPLACEMENTS : JOINTS D'ÉTANCHÉITÉ

Au fil du temps, les joints d'étanchéité autour de la vitre, de la porte et du tiroir de cendre pourraient perdre de leur rigidité. Ces joints sont essentiels pour sceller le système permettant un fonctionnement sécuritaire. Inspectez les joints régulièrement et s'ils deviennent usés, communiquez avec le fabricant pour connaître le numéro de pièce requis pour votre unité.

Pour remplacer le joint d'étanchéité :

1. S'assurer que toutes les grenailles sont éteintes et que le poêle est froid.
2. Retirer le joint usé et nettoyer le sillon d'insertion.
3. Appliquer un mince film de ciment à joint d'étanchéité résistant aux températures élevées à l'intérieur du sillon.
4. Presser l'extrémité du joint d'étanchéité de remplacement dans le sillon préparé à partir du point gauche le plus élevé.
5. Continuer à presser le joint dans le sillon en sens horaire tout autour de la porte pour revenir faire contact au point de départ.
6. Couper l'excédent et bien presser les extrémités ensemble dans le sillon.

Fermer, la porte, tiroir ou tiroir de cendre et laisser le ciment durcir durant 3 à 4 heures avant d'allumer le poêle.

REPLACEMENTS : ALLUMEUR À SURFACE CHAUDE

S'assurer que le poêle est refroidi. À l'arrière à l'intérieur du poêle, dévisser les vis de fixation de l'allumeur. Sortir l'allumeur et le remplacer par le nouveau. Voir les figures 22 et 24.

REMARQUE: SELON LE MODÈLE DE POÊLE, IL PEUT ÊTRE NÉCESSAIRE D'ENLEVER LE MOTEUR DE LA VIS SANS FIN POUR FAIRE GLISSER L'ALLUMEUR HORS DE SON LOGEMENT.

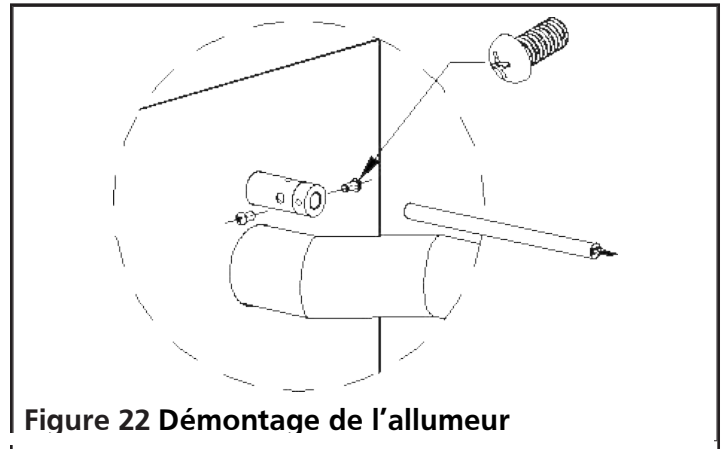


Figure 22 Démontage de l'allumeur

REPLACEMENTS : SYSTÈME DE TARIÈRE

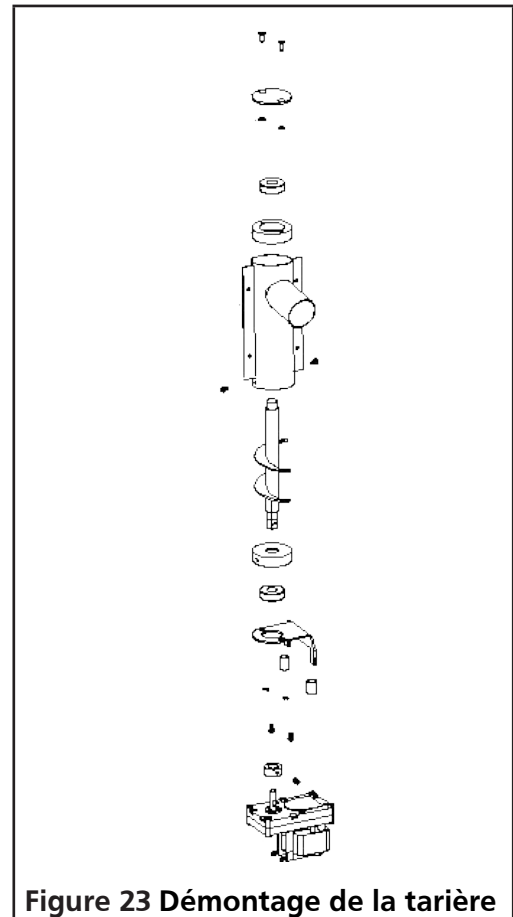


Figure 23 Démontage de la tarière

S'assurer que le poêle est refroidi. À partir de l'arrière à l'intérieur du poêle, la tarière peut être démontée en pièces détachées selon la séquence des pièces montrée à la Figure 23.

RETRAIT DES PANNEAUX ARRIÈRE ET LATÉRAUX

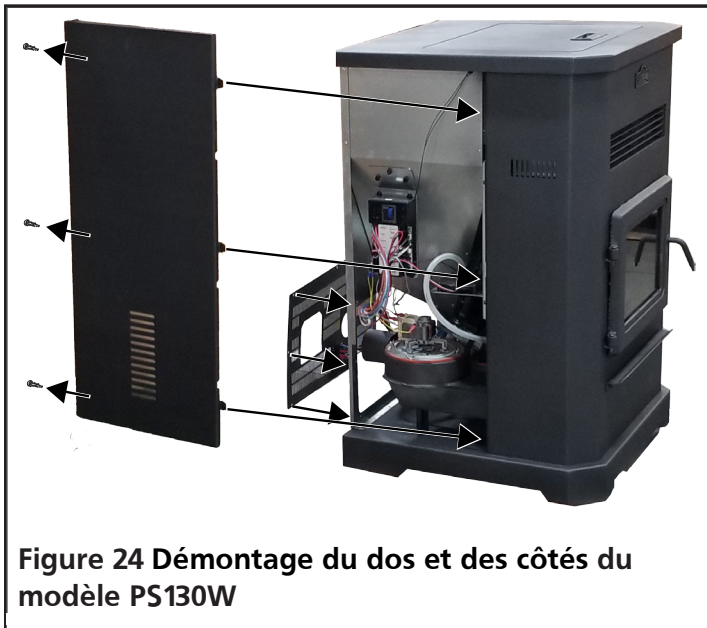


Figure 24 Démontage du dos et des côtés du modèle PS130W

- Pour retirer les panneaux latéraux du modèle PS130W, retirer les vis de fixation à l'arrière de l'unité et faire glisser le panneau vers l'arrière.
- Pour retirer la plaque arrière du modèle PS130W, retirer les huit vis de fixation à l'arrière de l'unité.
- Pour retirer les panneaux latéraux du modèle PS60W, retirer les vis de fixation à l'arrière de l'unité et retirer directement le panneau.
- Pour ouvrir le côté du modèle PSBF66W, faire simplement pivoter le panneau latéral hors de ses aimants de retenue.

REPLACEMENTS : VENTILATEUR D'ÉCHANGEUR D'AIR CHAUD

Débrancher le poêle. Déconnecter tout câblage raccordé au ventilateur d'air chaud. Retirer les vis de fixation de la plaque de montage. Retirer lentement le ventilateur et le remplacer par le nouveau. Fixer la plaque à l'aide des vis et reconnecter les fils.



Figure 25 Ventilateur d'échangeur d'air chaud du modèle PSBF66W

REPLACEMENTS : VENTILATEUR D'ÉCHAPPEMENT

Débrancher le poêle. Déconnecter tout câblage raccordé au ventilateur d'échappement. Retirer les écrous à oreilles maintenant la plaque de l'ensemble sans son logement. Retirer lentement le ventilateur et le remplacer par le nouveau. Fixer avec les écrous à oreilles et reconnecter les fils.

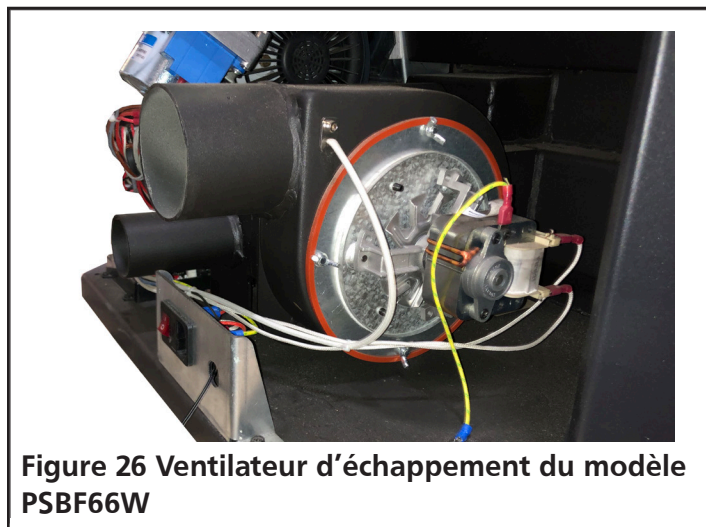


Figure 26 Ventilateur d'échappement du modèle PSBF66W

COMPOSANTS DE SÉCURITÉ

1. Pressostat de vide : Un pressostat de vide est fixé derrière le bas de la porte gauche. Si une basse pression est créée par une fuite, l'ouverture de la porte du pot de combustion, une cheminée obstruée ou un tiroir de cendre non scellé, le pressostat éteindra le poêle comme mesure de précaution. Le code d'erreur E5 s'affichera à l'écran.
2. Thermostat de limite de température : Une protection de température élevée est placée sous le fond de la trémie. Si ce capteur est exposé à une température dépassant 85° C (185° F), le poêle sera éteint.
3. Thermostat de température élevée dans le tuyau d'échappement : Une protection de température élevée est placée sur le tuyau d'échappement. Si ce capteur est exposé à une température dépassant 40° C (104° F), le ventilateur de circulation d'air sera mis en marche.
4. Thermostat de basse température dans le tuyau d'échappement : Si le poêle se refroidit en bas de la consigne de température minimum, il s'éteindra. Ceci pourrait se produire si le poêle ne se réchauffe pas assez rapidement après l'allumage.
5. Fusible : Un élément fusible à l'arrière du dispositif protège contre les défauts et les risques d'électrocution. Voir Figure 27.

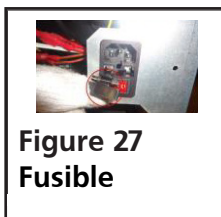


Figure 27
Fusible

HORAIRE DE NETTOYAGE DU POÊLE À GRANULES

Étape 1 :

Éteindre le poêle, et le laisser refroidir complètement.

Étape 2 :

Empoigner votre aspirateur à cendres pour enlever les cendres et les débris du pot à feu et dans la région environnante, ainsi que toutes les piles de cendres ou de débris que vous voyez.

Étape 3 :

Soulever et retirer le pot à feu – s'assurer que cette région soit libre de débris. Passer l'aspirateur sous le pot à feu, en prenant grand soin de passer l'aspirateur dans la voie d'aéragé sous le pot à feu.

Étape 4 :

Empoigner votre outil de nettoyage et le déplacer vers le pot à feu. Gratter pour éliminer tout débris hors du pot à feu, en s'assurant que tous les trous dans le pot à feu sont libérés de toute accumulation.

Étape 5 :

Essuyer la vitre. Ne jamais nettoyer la vitre avec de l'eau froide ou un nettoyeur alors que la vitre est encore chaude, puisque cela peut causer le craquelage du verre. La méthode que nous recommandons nécessite un chiffon ou une serviette de papier humide. L'appliquer sur les cendres froides, puis essuyer la vitre en commençant par le haut.

Étape 6 :

Certains modèles ont un tiroir pour les cendres. C'est alors une bonne idée de le vider à chaque fois que vous nettoyez votre poêle. Il est possible d'utiliser un aspirateur à cendres pour éliminer les cendres du tiroir.

Étape 7 :

Les modèles mini offrent des tiges de nettoyage. Vos tiges de nettoyage doivent être utilisées quotidiennement après que le poêle ait refroidi. Elles effectuent le nettoyage à l'intérieur de l'évacuation, là où les cendres et les débris peuvent s'accumuler. Si une accumulation excessive survient, votre poêle n'aura plus la bonne quantité d'air de combustion.

NETTOYAGE HEBDOMADAIRE

Étape 1 :

Nous recommandons de laisser le poêle manquer de granules; de sorte que la réserve soit vide. Passer l'aspirateur sur la réserve. Éliminer toute la poussière de la réserve, et inspecter votre réserve.

Étape 2

Les modèles de taille moyenne et grande comportent des plaques de conduit. Retirer la plaque de conduit centrale, en la glissant vers le haut. Après avoir glissé la plaque de conduit centrale et l'avoir sortie, il est possible de retirer les plaques de gauche et de droite. Passer l'aspirateur et brosser les plaques de conduit, gratter toute vitrification et accumulation. Vérifier les parois derrière les plaques de conduit pour détecter la présence de débris. S'assurer aussi de passer l'aspirateur derrière les plaques de conduit.

Étape 3 :

Le cas échéant, retirer le tiroir des cendres, et passer l'aspirateur sur le tiroir. Puis, brosser et gratter toutes les crasses et les accumulations. S'assurer que la région sous le tiroir soit elle aussi propre.

Étape 4 :

Inspecter la chute de la vis sans fin. S'il y a une accumulation de créosote ou de poussière de granule, nettoyer la chute avec une brosse à poils d'acier.

À TOUTES LES DEUX SEMAINES

Il faut vous rendre à l'extérieur, et inspecter visuellement le chapeau de terminaison sur l'évacuation. S'assurer qu'aucun animal tente de faire son nid, et vérifier la présence de toute accumulation de cendres sur la grille.

AU MOINS UNE FOIS PAR MOIS

Étape 1 :

Utiliser une brosse de nettoyage pour dégager les entrées d'air, localisées sous le pot à feu, qui vont vers l'arrière du poêle; le placement et la taille exactes peuvent varier d'un modèle à l'autre.

Étape 2 :

Pour les modèles de taille moyenne et grande avec des plaques de conduit, le port d'évacuation se trouve derrière une plaque de conduit, à gauche du pot à feu. S'assurer de bien nettoyer avec une brosse à poils d'acier, et d'y passer l'aspirateur.

Étape 3 :

Utiliser une brosse de nettoyage pour dégager les ports d'évacuation d'air dans votre chambre de combustion. Le nombre de ports d'évacuation varie d'un modèle à l'autre.

Pour les modèles mini : Ils comportent quatre ports d'évacuation en haut de la chambre de combustion.

Pour les modèles avec hublot à l'avant : Ils comportent deux ports d'évacuation en haut de la chambre de combustion. Il faut vérifier qu'ils soient dégagés pour assurer une circulation optimale de l'air dans la chambre de combustion.

À TOUTES LES DEUX (2) TONNES DE GRANULES, OU À TOUS LES DEUX MOIS

Inspecter le tee de nettoyage. Retirer toutes les cendres accumulées et resceller la connexion, au besoin.

ANNUELLEMENT

- Il est important de retirer le ventilateur de combustion; utiliser une brosse à poils d'acier sur la créosote, et passer l'aspirateur sur les débris. Cela est important pour la région au-dessous du ventilateur et sur le ventilateur même. Lors du retrait du ventilateur de combustion, si le joint d'étanchéité est usé, vous pouvez retirer le joint d'étanchéité et utiliser de la silicone rouge RTV pour la haute température pour créer un nouveau joint d'étanchéité pour le ventilateur.
- Vous pourriez devoir retirer le conduit de l'arrière du poêle, et utiliser une brosse à poils d'acier pour y passer aussi l'aspirateur pour le nettoyage.
- Il pourrait s'avérer nécessaire de recourir aux services d'un ramoneur de cheminée pour nettoyer votre système d'évacuation de manière régulière. Il faut porter une attention particulière sur les coudes, puisqu'ils peuvent accumuler de la créosote encore plus que les conduits droits.
- C'est aussi une bonne idée de nettoyer votre conduit d'entrée d'air annuellement.


Pour les modèles mini : Il est localisé derrière le panneau de droite. Il y a un couvercle d'entrée d'air qui doit être retiré, et la voie d'aéragage doit être nettoyée. Si les joints d'étanchéité sont endommagés ou usés, il est possible d'en fabriquer de nouveaux avec de la silicone rouge RTV pour la haute température.

Pour les modèles avec hublot à l'avant : Les voies d'aéragage comportent une ouverture derrière le tiroir des cendres. Le tiroir des cendres devra être retiré complètement, et les couvercles peuvent être retirés avec une clé Allen de 3 mm. Une brosse à poils d'acier et un aspirateur à cendres peuvent aussi être utilisés pour nettoyer les voies d'aéragage.

CODES D'ERREUR

REMARQUE :DANS L'ÉVENTUALITÉ D'UNE PANNE DE COURANT (CODE D'ERREUR E7), UNE FAIBLE QUANTITÉ DE FUMÉE POURRAIT ÊTRE DÉGAGÉE. CECI DURERA DE TROIS À CINQ MINUTES ET NE REPRÉSENTE PAS UN DANGER.

⚠ ATTENTION : S'IL S'EST PRODUIT UNE SURCHAUFFE (CODES D'ERREUR E5 ET E6), ALORS UNE INSPECTION, ENTRETIEN ET/OU UN NETTOYAGE DEVRA ÊTRE EFFECTUÉ AVANT QUE LE POÊLE PUISSE ÊTRE UTILISÉ DE FAÇON SÉCURITAIRE DE NOUVEAU.

Après avoir suivi les étapes de solution suggérées, actionner le bouton de confirmation  pour supprimer le code d'erreur de l'afficheur multi-fonction. Et puis effectuer la procédure de fonctionnement de la page 13 pour rallumer le poêle.

CODE D'ERREUR	CAUSE	SOLUTION
E1	La température d'échappement est en dessous de 4,44 à 7,22 C (40 à 45 C). Le fonctionnement a été interrompu et le chauffage arrêté.	<ol style="list-style-type: none"> 1. Vérifier la présence de grenailles dans la trémie. 2. Vérifier le fonctionnement du moteur de la tarière et que celle-ci alimente bien le pot de combustion.
E2	Échec d'allumage des grenailles dans le pot de combustion.	<ol style="list-style-type: none"> 1. S'assurer que le pot de combustion ne comporte pas de fragments de différentes tailles formés par des débris exposés à la chaleur élevée (plus commun lors d'utilisation de grenailles de moindre qualité). 2. S'assurer que le pot de combustion soit bien assis dans son support et qu'il n'y a pas d'obstruction devant l'allumeur. 3. S'assurer que le capteur de température de gaz d'échappement, adjacent au ventilateur de combustion, est en bon état et n'a pas subi de dommage. 4. S'assurer que l'allumeur n'est pas brisé.
E5	Basse pression détectée par le pressostat de vide (se référer à la vue éclatée).	<ol style="list-style-type: none"> 1. S'assurer que la porte et le tiroir de cendre (le cas échéant) sont bien fermés. 2. S'assurer que la canalisation d'échappement n'est pas obstruée ou qu'elle n'a pas de fuite. 3. S'assurer que le ventilateur de combustion est fonctionnel.
E6	Signal du capteur de température élevée (situé sous la trémie).	<ol style="list-style-type: none"> 1. S'assurer que le capteur n'est pas défectueux. 2. La température au niveau du capteur est trop élevée. Le poêle ne fonctionne pas correctement. Appelez le service à la clientèle.
E7	Panne de courant.	Actionner le bouton de Confirmation pour supprimer le code d'erreur. Rallumer le poêle. Vous pouvez décider de sauter par-dessus les cycles précédents et de passer directement au cycle de stabilisation, en actionnant et maintenant le bouton de sélection de taux durant 3 secondes.
ESC1	Capteur de température n° 1 court-circuité (échappement)	<ol style="list-style-type: none"> 1. Vérifier les fils et les points de raccordement. 2. Contactez le support technique pour obtenir de l'aide.
ESO1	Capteur de température n° 1 en circuit ouvert	<ol style="list-style-type: none"> 1. Vérifier les fils et les points de raccordement. 2. Contactez le support technique pour obtenir de l'aide.
ESC2	Capteur n° 2 court-circuité, de température de trémie	<ol style="list-style-type: none"> 1. Vérifier les fils et les points de raccordement. 2. Contactez le support technique pour obtenir de l'aide.
ESO2	Capteur de température n° 2 en circuit ouvert	<ol style="list-style-type: none"> 1. Vérifier les fils et les points de raccordement. 2. Contactez le support technique pour obtenir de l'aide.

CODES D'ERREUR (SUITE)

ESC3	Capteur de température de pièce n° 3 court-circuité	<ol style="list-style-type: none"> 1. Vérifier les fils et les points de raccordement. 2. Contactez le support technique pour obtenir de l'aide.
ESO3	Capteur de température n° 3 en circuit ouvert	<ol style="list-style-type: none"> 1. Vérifier les fils et les points de raccordement. 2. Contactez le support technique pour obtenir de l'aide.

DÉPANNAGE

SYMPTÔME	CAUSE	SOLUTION
Le poêle ne s'allume pas.	Le commutateur d'alimentation n'est pas fermé.	Actionner le commutateur d'alimentation.
	Le cordon d'alimentation est débranché.	<ol style="list-style-type: none"> 1. Insérer à fond le cordon d'alimentation dans le poêle 2. S'assurer que la prise murale fournit une tension de 120 V.
	Le fusible est grillé.	Remplacer le fusible.
Le ventilateur ne tourne pas durant les cycles de nettoyage, d'alimentation et d'allumage.	Ceci est normal.	Ceci n'est pas un problème, le ventilateur ne se met en marche qu'au cycle de stabilisation.
Le ventilateur ne se met pas en marche durant le cycle de stabilisation.	Le poêle/panneau de commande n'est pas sous tension.	Vérifier l'alimentation et les câbles.
	Carte mère débranchée.	S'assurer que les connecteurs de la carte sont complètement insérés.
	Le capteur de basse température est défectueux.	Remplacer le capteur.
La tarière n'alimente pas le pot de combustion durant les cycles incluant le cycle d'allumage.	La trémie est vide.	Ajouter des grenailles dans la trémie.
	La tarière est coincée, obstruée ou déconnectée.	<ol style="list-style-type: none"> 1. Débrancher l'unité de sorte qu'il ne se produise pas de démarrage inattendu et dégager le blocage de la tarière. 2. Vérifier que la tarière ne soit pas bloquée. Si c'est le cas, dégager le produit causant le coincement. 3. S'assurer que la vis de fixation de la tarière au moteur est bien serrée.

DÉPANNAGE (SUITE)

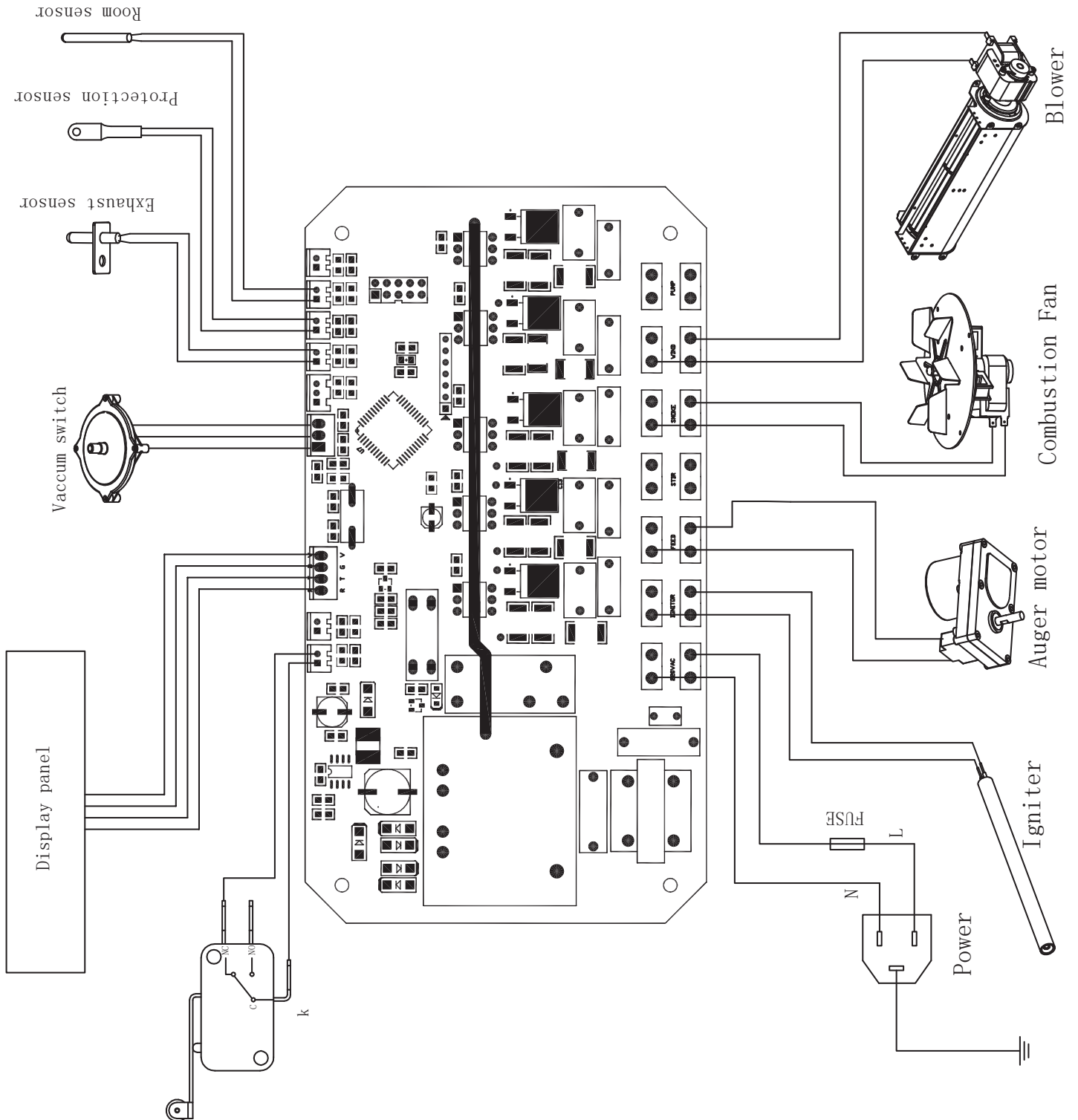
SYMPTÔME	CAUSE	SOLUTION
Trop de grenailles dans le pot de combustion. Les grenailles ne se consomment pas toutes entièrement.	La vitesse d'alimentation est plus grande que la capacité de combustion.	1. Augmenter la vitesse du ventilateur pour augmenter le taux de combustion.
Pas assez de grenailles dans le pot de combustion.	La vitesse d'alimentation n'est pas suffisante pour soutenir ce taux de combustion.	1. Diminuer la vitesse du ventilateur pour diminuer le taux de combustion. 2. Augmenter la vitesse d'alimentation.
Le poêle s'éteint 15 minutes après avoir été allumé.	La trémie est à un bas niveau.	Vérifier la présence de suffisamment de grenailles dans la trémie.
	La tarière ne fonctionne pas.	1. Débrancher l'unité de sorte qu'il ne se produise pas de démarrage inattendu et dégager le blocage de la tarière. 2. Vérifier que la tarière ne soit pas bloquée. Si c'est le cas, dégager le produit causant le coincement. 3. S'assurer que la vis de fixation de la tarière au moteur est bien serrée.
	Le thermostat de température de 30 °C s'est déclenché.	1. S'assurer que les fils du thermostat sont bien connectés. 2. Remplacer le thermostat de 30 °C.
	Le pressostat à l'intérieur du poêle est défectueux.	Remplacer le pressostat.
Flamme orange, grenailles s'empilent dans le pot de combustion, dépôts de carbone sur la vitre.	Insuffisance d'air pour une combustion adéquate.	1. S'assurer que la bouche d'entrée d'air sur le devant est ouverte. 2. S'assurer que les joints d'étanchéité de la fenêtre et de la porte sont en bon état. 3. Vérifier que les canalisations d'entrée et de sortie d'air ne sont pas bloquées. 4. Augmenter la superficie d'ouverture des canalisations. 5. Augmenter la vitesse du ventilateur pour augmenter le taux de combustion. 6. Veuillez communiquer avec le fabricant pour assistance.

DÉPANNAGE (SUITE)

SYMPTÔME	CAUSE	SOLUTION
La combustion s'arrête et le poêle interrompt son fonctionnement.	La trémie est vide.	Ajouter des grenailles dans la trémie.
	La tarière est coincée, obstruée ou déconnectée.	<ol style="list-style-type: none"> Débrancher l'unité de sorte qu'il ne se produise pas de démarrage inattendu et dégager le blocage de la tarière. Vérifier que la tarière ne soit pas bloquée. Si c'est le cas, dégager le produit causant le coincement. S'assurer que la vis de fixation de la tarière au moteur est bien serrée.
	La vitesse d'alimentation n'est pas suffisante pour soutenir ce taux de combustion.	<ol style="list-style-type: none"> Diminuer la vitesse du ventilateur pour diminuer le taux de combustion.
	Le thermostat de température de 30 °C s'est déclenché.	<ol style="list-style-type: none"> S'assurer que les fils du thermostat sont bien connectés. Remplacer le thermostat de 30 °C.
La combustion s'arrête et le poêle interrompt son fonctionnement (suite).	La température réglée a été atteinte.	Ceci est le fonctionnement normal du mode ECO. Le poêle se remettra automatiquement en fonction lorsque la température de la pièce descendra en-dessous de la demande programmée.
Le ventilateur de circulation d'air demeure en fonction après que le poêle a cessé de chauffer et se soit refroidi.	Le thermostat de température de 30 °C s'est déclenché.	<ol style="list-style-type: none"> S'assurer que les fils du thermostat sont bien connectés. Remplacer le thermostat de 30 °C.
Le poêle fournit un volume trop faible d'air insuffisamment chauffé.	Le combustible est inadéquat.	Utiliser des grenailles spécifiées dans le présent manuel.
	La vitesse du ventilateur de circulation d'air chaud est à un réglage trop bas ou le fonctionnement du ventilateur est compromis.	<ol style="list-style-type: none"> Si le ventilateur est défectueux, remplacer le ventilateur. Si la carte de commande du ventilateur est défectueuse, remplacer la carte.
	Les tubes de l'échangeur de chaleur sont sales.	Nettoyer les tubes de l'échangeur de chaleur.

SCHÉMA DE CÂBLAGE

REMARQUE : SI DES FILS QUELCONQUES DOIVENT ÊTRE REMPLACÉS ILS DEVRONT CORRESPONDRE AUX SPÉCIFICATIONS DE CÂBLAGE ORIGINAL DE TEMPÉRATURE NOMINALE DE 105 C AVEC ISOLANT DE CLASSE DE 600 V



PIÈCES DE SERVICE MODÈLE PS60W

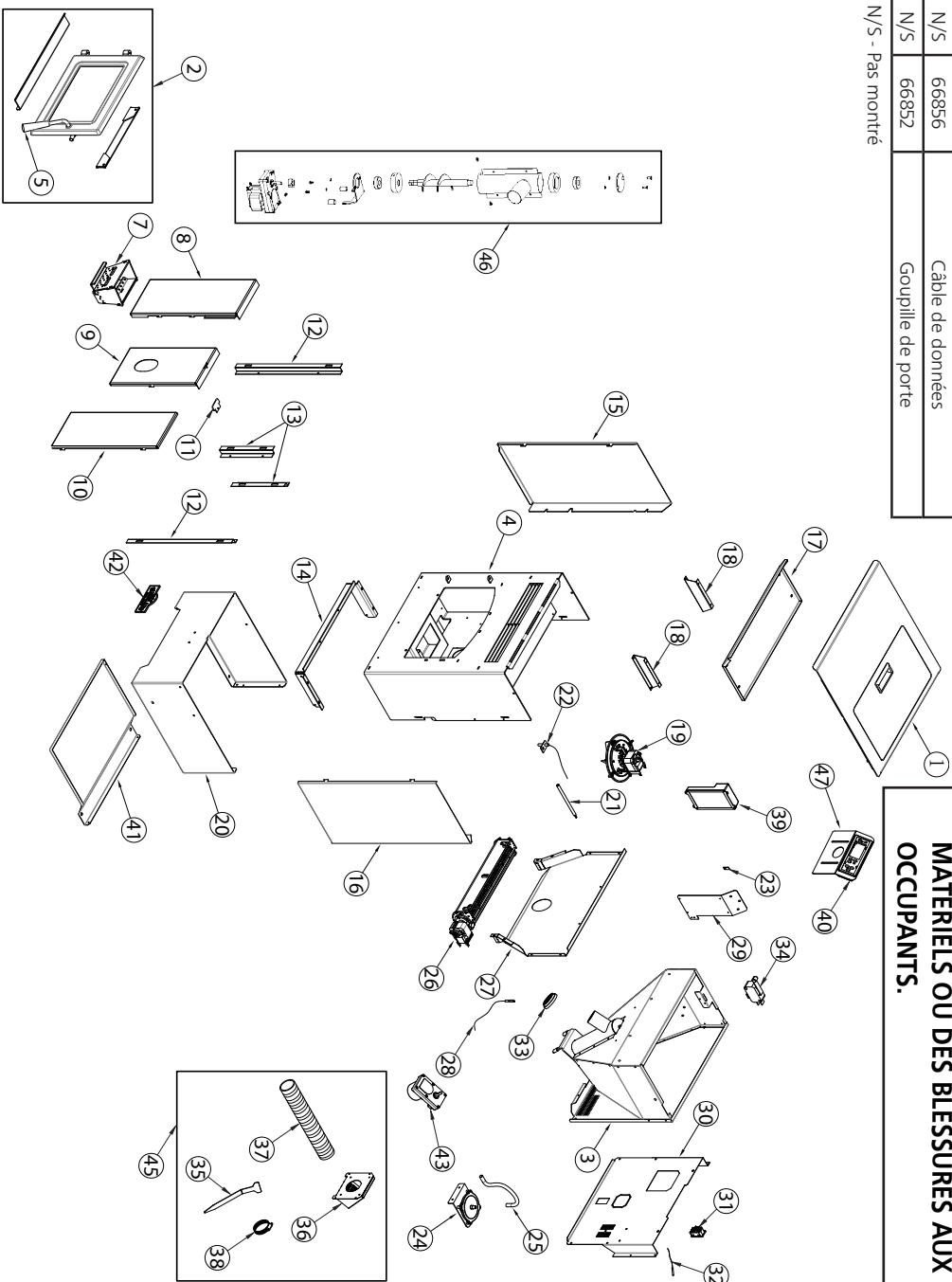
N°	N° de pièce	DESCRIPTION
1	66623	Le couvercle supérieur
2	66624	Porte assemblée
3	n / a	Hopper
4	n / a	Corps principal
5	66603	Poignée de porte
7	66625	Pot de feu
8	66931	Conseil de combustion - gauche
9	66933	Conseil de combustion au milieu
10	66932	Panneau De Conduit De Droite
11	n / a	Plaque de cheminée supérieure
12	n / a	Conduit de fumée plaque longue
13	n / a	Conduit de cheminée fixe court
14	n / a	Piédestal plaque fixe
15	66626	Panneau latéral gauche
16	66627	Panneau latéral droit
17	n / a	Plaque d'isolation thermique
18	n / a	Plaque de support d'isolation
19	66607	Souffleur à combustion
20	n / a	Plaque de piédestal
21	66608	Allumeur
22	66609	Capteur d'échappement
23	n / a	Vis de fixation
24	66628	Commutateur de vide
25	66629	Tube de silicone de commutateur de vide
26	66630	Ventilateur de circulation
27	n / a	Couverture d'isolation de chambre
28	66613	Capteur de sécurité de la trémie
29	n / a	Plaque fixe de la carte mère
30	66631	Capot arrière
31	66615	Prise de courant
32	66616	Capteur de pièce
33	66622	Joint détaché en caoutchouc silicone
34	66617	Commutateur de couvercle de trémie
35	66855	Outil de nettoyage (voir n 45)
36	n / a	Ventilation d'admission d'air frais (voir n 45)
37	n / a	Tube d'expansion en aluminium (voir n 45)
38	n / a	Pince (voir n 45)
39	66618	Carte mère
40	66619	Panneau d'affichage

N°	N° de pièce	DESCRIPTION
41	n / a	Plaque intérieure de piédestal
42	n / a	Plaque signalétique
43	66621	Moteur de tarrière
44	66658	Télécommande (non illustrée)
45	66659	Kit d'accessoires
46	66660	Assemblée de la tarrière
47	66850	Support de panneau d'affichage
N/S	66854	Cordon d'alimentation
N/S	66856	Câble de données
N/S	66852	Goupille de porte

N/S - Pas montré

REMARQUE : LES PIÈCES NE SONT PAS TOUTES EN MAGASIN. POUR TOUTE QUESTION, COMMUNIQUEZ AVEC LE FABRICANT.

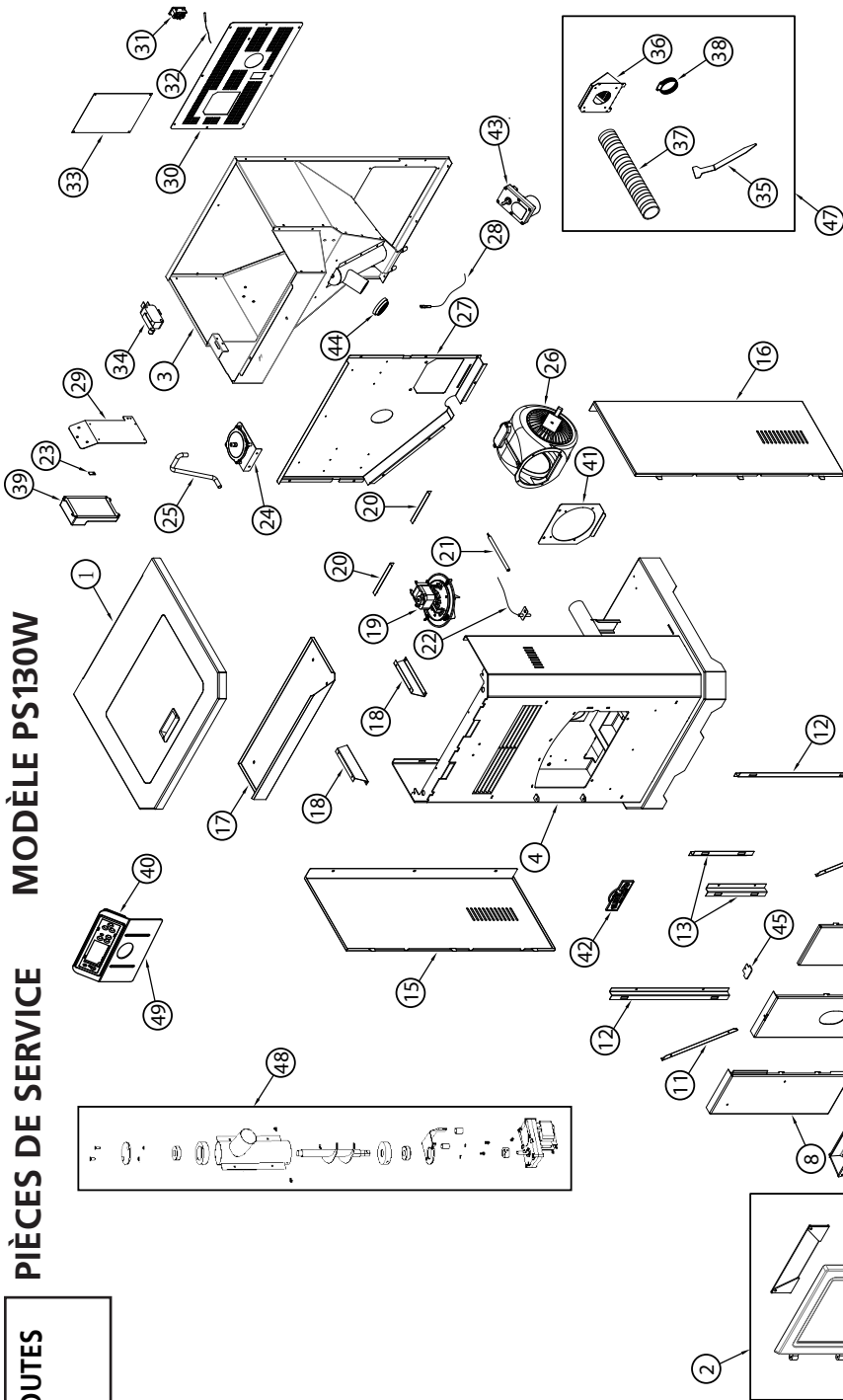
⚠ AVERTISSEMENT : NE PAS POSITIONNER LES PIÈCES SELON CES SCHEMAS OU NE PAS UTILISER EXCLUSIVEMENT LES PIÈCES SPÉCIFIQUEMENT APPRUVÉES POUR CE POÊLE POURRAIT RÉSULTER EN DES DOMMAGES MATÉRIELS OU DES BLESSURES AUX OCCUPANTS.



REMARQUE : LES PIÈCES NE SONT PAS TOUTES EN MAGASIN. POUR TOUTE QUESTION, COMMUNIQUEZ AVEC LE FABRICANT.

AVERTISSEMENT : NE PAS POSITIONNER LES PIÈCES SELON CES SCHÉMAS OU NE PAS UTILISER EXCLUSIVEMENT LES PIÈCES SPÉCIFIQUEMENT APPROUVÉES POUR CE POÊLE POURRAIT RÉULTER EN DES DOMMAGES MATÉRIELS OU DES BLESSURES AUX OCCUPANTS.

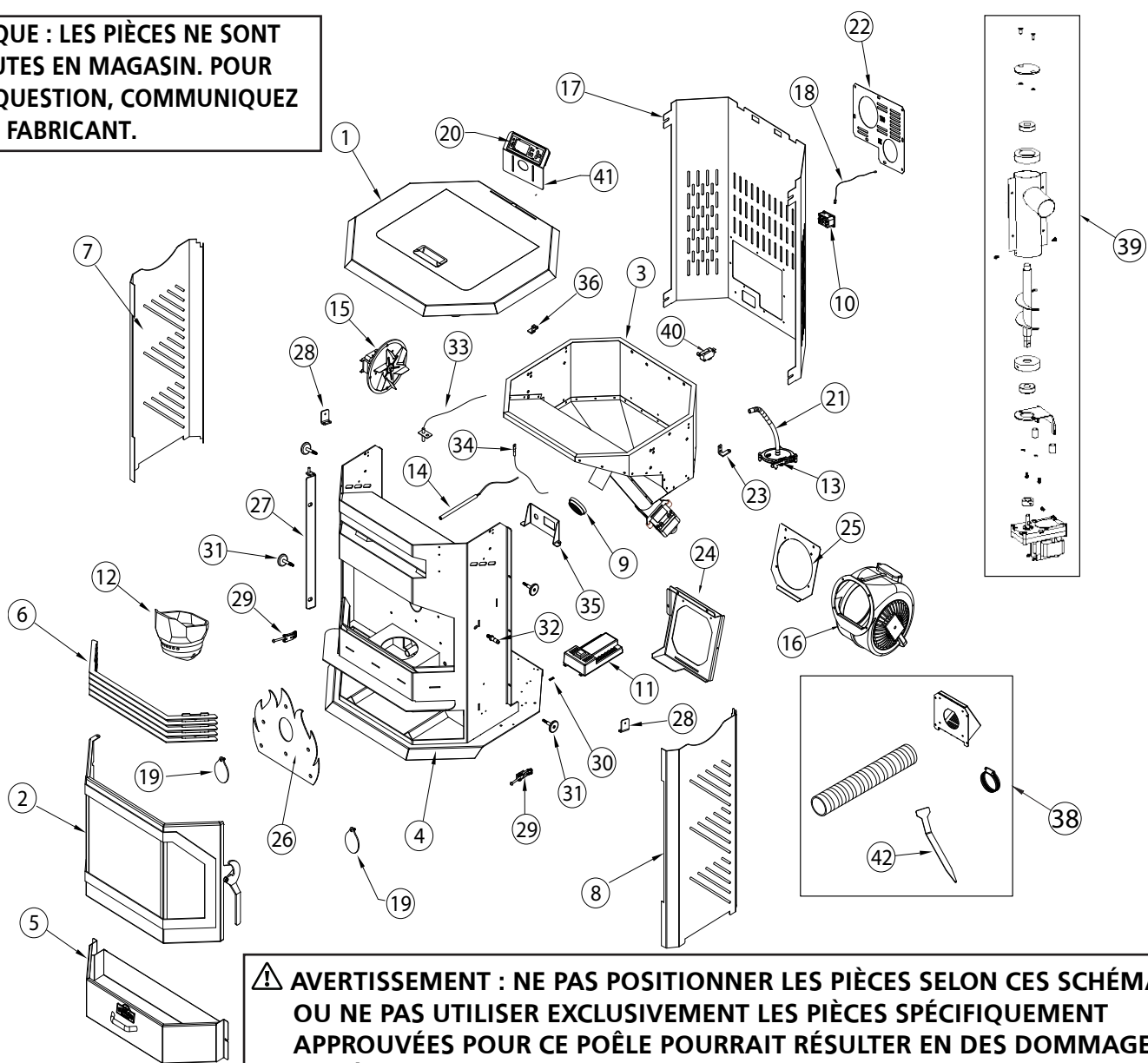
PIÈCES DE SERVICE MODÈLE PS130W



N°	N° de pièce	DESCRIPTION
1	66601	Le couvercle supérieur
2	66602	Porte assemblée
3	n / a	Hopper
4	n / a	Corps principal
5	66603	Poignée de porte
7	66604	Pot de feu
8	66934	Conduit de fumée gauche
9	66862	Plaque De Conduit
10	66935	Conduit de fumée à droite
11	n / a	Renfort de la cheminée
12	n / a	Conduit de fumée plaque longue
13	n / a	Conduit de cheminée fixe court
15	66605	Panneau latéral gauche
16	66606	Panneau latéral droit
17	n / a	Panneau isolant thermique
18	n / a	Plaque de support d'isolation
19	66607	Souffleur à combustion
20	n / a	Plaque de renforcement
21	66608	Allumeur
22	66609	Captur d'échappement
23	n / a	Vis de terre
24	66610	Commutateur de vide
25	66611	Tube de silicone
26	66612	Ventilateur de circulation
27	n / a	Couverture d'isolation de chambre
28	66613	Captur de sécurité de la trémie
29	n / a	Plaque fixe de la carte mère
30	66614	Capot arrière
31	66615	Prise de courant
32	66616	Captur de pièce
33	n / a	Étiquette de notation
34	66617	Commutateur de couvercle de trémie
35	66855	Outil de nettoyage (voir n 47)
36	n / a	Ventilation d'admission d'air frais (voir n 47)
37	n / a	Tube d'expansion en aluminium (voir n 47)
38	n / a	Pince (voir n 47)
39	66618	Carte mère
40	66619	Panneau d'affichage
41	66620	Plaque fixe ventilateur
42	n / a	Plaque signalétique
43	66621	Moteur de tarière
44	66622	Joint d'étanchéité en caoutchouc silicone
45	n / a	Plaque de cheminée supérieure
46	66658	Télécommande (non illustrée)
47	66659	Kit d'accessoires
48	66660	Assemblée de la vis
49	66850	Support de panneau d'affichage
N/S	66854	Cordon d'alimentation
N/S	66856	Câble de données
N/S	66852	Goupille de porte
N/S	N/S	Pas montré

PIÈCES DE SERVICE MODÈLE PSBF66W

REMARQUE : LES PIÈCES NE SONT PAS TOUTES EN MAGASIN. POUR TOUTE QUESTION, COMMUNIQUEZ AVEC LE FABRICANT.



⚠ AVERTISSEMENT : NE PAS POSITIONNER LES PIÈCES SELON CES SCHÉMAS OU NE PAS UTILISER EXCLUSIVEMENT LES PIÈCES SPÉCIFIQUEMENT APPROUVÉES POUR CE POËLE POURRAIT RÉSULTER EN DES DOMMAGES MATÉRIELS OU DES BLESSURES AUX OCCUPANTS.

N°	N° de pièce	DESCRIPTION
1	66632	Le couvercle supérieur
2	66633	Porte
3	n / a	Hopper
4	n / a	Corps principal
5	66634	Cendrier
6	n / a	Plaque décorative
7	66635	Panneau latéral gauche
8	66636	Panneau latéral droit
9	66622	Joint d'étanchéité en caoutchouc silicone
dix	66615	Prise de courant
11	66637	Carte mère
12	66638	Pot de feu
13	66639	Commutateur de vide
14	66640	Allumeur
15	66641	Souffleur à combustion
16	66612	Ventilateur de circulation

N°	N° de pièce	DESCRIPTION
17	66642	Capot arrière
18	66643	Capteur de pièce
19	n / a	Plaque d'étanchéité
20	66644	Panneau d'affichage
21	66645	Tube de silicone de dispositif de pression
22	66646	Plaque d'étanchéité arrière
23	66647	Charnière de panneau latéral droit
24	66648	Support de soufflante
25	66620	Plaque fixe ventilateur
26	n / a	Plaque ignifuge
27	66649	Charnière de porte
28	66650	Couvercle Arrière Plaque Fixe
29	66651	Pièces de verrouillage pour cendrier
30	n / a	Vis de terre
31	66652	Aimant

N°	N° de pièce	DESCRIPTION
32	66653	Porte, loquet
33	66654	Capteur d'échappement
34	66655	Capteur de sécurité de la trémie
35	66656	Prise plaque fixe
36	66657	Charnière de panneau latéral gauche
37	66658	Télécommande (non illustrée)
38	66659	Kit d'accessoires
39	66660	Assemblée de la tarière
40	66617	Commutateur de couvercle de trémie
41	66850	Support de panneau d'affichage
42	66855	Outil de nettoyage (voir n 38)
N/S	66854	Cordon d'alimentation
N/S	66856	Câble de données
N/S	66859	Goupille de porte

N/S - Pas montré



GUIDE DU PROPRIÉTAIRE ET INSTRUCTIONS D'UTILISATION

N° de modèle
PS60W
PS130W
PSBF66W

LIRE LES INSTRUCTIONS ATTENTIVEMENT : Veuillez lire le présent manuel au complet avant d'installer et d'utiliser ce poêle à grenailles de bois. Ne pas suivre les directives comprises pourrait résulter en des dommages matériels ou des blessures graves, voire la mort. Ne pas laisser quiconque qui n'a pas lu les instructions du présent manuel assembler, allumer, régler ou faire fonctionner le poêle. Remiser ce manuel dans un endroit sûr pour référence ultérieure.

AVERTISSEMENT :

N'UTILISER QUE LES PIÈCES DE REMPLACEMENT DU FABRICANT. L'UTILISATION DE TOUTE AUTRE PIÈCE POURRAIT CAUSER DES BLESSURES OU LE DÉCÈS DE PERSONNES. LES PIÈCES DE REMPLACEMENTS SONT SEULEMENT DISPONIBLES DIRECTEMENT DE LA MANUFACTURE ET DOIVENT ÊTRE INSTALLÉES PAR UNE AGENCE DE SERVICE QUALIFIÉE.

RENSEIGNEMENTS POUR COMMANDES DE PIÈCES :

ACHAT : LES ACCESSOIRES PEUVENT ÊTRE ACHETÉS EN TOUT TEMPS DE TOUT DÉPOSITAIRE CLEVELAND IRON WORKS LOCAL OU DIRECTEMENT DE LA MANUFACTURE.

POUR RENSEIGNEMENTS CONCERNANT LE SERVICE :

Veuillez composer le numéro sans frais 1-800-251-0001 • CLEVELAND-IRONWORKS.COM

Nos heures d'ouverture sont de 8:00 h à 17:00 h HNE du lundi au vendredi.

Dans toutes les communications, veuillez indiquer le numéro de modèle, la date d'achat et une description du problème.

GARANTIE LIMITÉE :

Enenco Group, Inc. (EGI) garantit les poêles à grenailles de bois Cleveland Iron Works être libres de défauts de matériaux et de main-d'œuvre au moment de la livraison. Après l'installation, si des composants couverts sont trouvés présenter des défauts de matériau ou de main-d'œuvre durant la période de couverture applicable, alors la Société, à sa propre option, réparera ou remplacera les produits retournés par l'acheteur à l'atelier, tous frais de transport payés d'avance, durant la période de garantie applicable, les pièces trouvées défectueuses. La période de garantie des composants couverts est définie dans le tableau suivant :

Composants couverts	Période de garantie (pièce seulement, main-d'œuvre non comprise)
Électriques	1 an
Pièces métalliques (excluant le pot de combustion)	5 ans

Si une pièce est endommagée ou manquante, appelez notre Service de soutien technique au 1-800-251-0001.

Adresser toute demande de compensation de garantie à : Service Department, Cleveland Ironworks, Inc., 4560 W. 160TH ST., CLEVELAND, OHIO 44135 U.S.A. Indiquez votre nom, adresse et numéro de téléphone, le numéro de modèle et le numéro de série de votre produit et décrivez les détails concernant la demande de compensation. Veuillez également nous indiquer la date d'achat ainsi que les nom et adresse du dépositaire où vous avez acheté votre produit.

Ce qui suit est la description complète de la responsabilité de la Société. Aucune autre garantie explicite ou implicite n'est applicable. Particulièrement, aucune garantie de concordance spécifique à une application ne s'applique ainsi que toute garantie de commercialité. En aucun cas la Société ne sera responsable de délais dus à des imperfections ou dommages de conséquence ainsi que pour des frais de toute nature sauf si consentis par écrit. Les réparations ou remplacements seront le remède exclusif pour tout bris de garantie. Il n'y a pas de garantie contre les infractions de droits ou de garantie implicite de ressortissants d'affaires. La présente garantie ne s'appliquera à aucun produit qui a été réparé ou modifié hors de l'usine sous tout aspect qui selon notre opinion affecte la condition de fonctionnement. La présente garantie ne couvre pas les dommages ou bris dus à un mauvais usage, abus d'utilisation ou modifications. La garantie ne couvre pas la peinture de finition, les vitres, joints d'étanchéité ou les briques réfractaires. La garantie ne couvre pas le pot de combustion. La garantie ne couvre aucun dommage de corrosion.

Certains États/provinces ne permettent pas l'exclusion ou la limite de dommages accessoires ou indirects, alors les exclusions ou limitations ci-dessus pourraient ne pas s'appliquer dans votre cas. La présente garantie vous donne des droits juridiques particuliers et d'autres droits, variables d'un état/province à l'autre, pourraient s'appliquer.

Cleveland Ironworks Inc. se réserve le droit d'apporter des modifications sur les couleurs, spécifications, accessoires, matériaux et modèles en tout temps sans préavis ou obligation.

Cleveland Ironworks Inc., 4560 W. 160TH ST., CLEVELAND, OHIO 44135 • 1-800-251-0001
Cleveland Ironworks Inc., est une marque de commerce déposée de Mr. Heater, Inc.
© 2024, Cleveland Ironworks. Tous droits réservés

Brevet Américain en Instance



Report Number : F23-240
ASTM E1509-22
CAN/ULC-S627:2023

F34

INSTALLER: Leave this manual with the appliance.

CONSUMER: Save these Instructions for future reference.

	<h1>OPERATING INSTRUCTIONS AND OWNER'S MANUAL</h1>	Model # N60WTS N130WTS NBF66WTS
--	--	--

READ INSTRUCTIONS CAREFULLY: Please read this entire manual before installation and use of this pellet fuel-burning room heater. Failure to follow these instructions could result in property damage, bodily injury or even death. Do not allow anyone who has not read these instructions to assemble, light, adjust or operate the stove. Place instructions in a safe place for future reference.

WOOD PELLET FIRE STOVE



Gros Ventre



Elk Ridge



Teewinot



GTC Smart Stove App



THE AUTHORITY HAVING JURISDICTION (SUCH AS MUNICIPAL BUILDING DEPARTMENT, FIRE DEPARTMENT, FIRE PREVENTION BUREAU, ETC.) SHOULD BE CONSULTED BEFORE INSTALLATION TO DETERMINE ANY NEED TO OBTAIN A PERMIT. OBSERVE ALL LOCAL BUILDING CODES.

Mr. Heater a subsidiary of Enerco Group Inc.

4560 West 160th st Cleveland, Ohio 44135 1-866-740-2497/1-800-251-0001

66904 REV E

GENERAL HAZARD WARNING:

⚠ FAILURE TO COMPLY WITH THE PRECAUTIONS AND INSTRUCTIONS PROVIDED WITH THIS STOVE CAN RESULT IN DEATH, SERIOUS BODILY INJURY AND PROPERTY LOSS OR DAMAGE FROM HAZARDS OF FIRE, EXPLOSION, BURN, ASPHYXIATION, CARBON MONOXIDE POISONING, AND/OR ELECTRICAL SHOCK.

⚠ ONLY PERSONS WHO CAN UNDERSTAND AND FOLLOW THE INSTRUCTIONS SHOULD USE OR SERVICE THIS STOVE.

⚠ IF YOU NEED ASSISTANCE OR STOVE INFORMATION SUCH AS AN INSTRUCTIONS MANUAL, LABELS, ETC. CONTACT THE MANUFACTURER.

WARNING:

⚠ FIRE, BURN, INHALATION, AND EXPLOSION HAZARD. KEEP SOLID COMBUSTIBLES, SUCH AS BUILDING MATERIALS, PAPER OR CARDBOARD, A SAFE DISTANCE AWAY FROM THE STOVE AS RECOMMENDED BY THE INSTRUCTIONS NEVER USE THE STOVE IN SPACES WHICH DO OR MAY CONTAIN VOLATILE OR AIRBORNE COMBUSTIBLES, OR PRODUCTS SUCH AS GASOLINE, SOLVENTS, PAINT THINNER, DUST PARTICLES OR UNKNOWN CHEMICALS.

⚠ **WARNING:** This product can expose you to chemicals including lead and lead compounds, which are known to the State of California to cause cancer and birth defects or other reproductive harm. For more information visit www.P65Warnings.ca.gov

Contents

SPECIFICATIONS.....3

GETTING STARTED.....4

SAFETY PRECAUTIONS.....5

CLEARANCE TO COMBUSTIBLES.....6

UNPACKING & ASSEMBLY.....7

INSTALLATION.....8

ADDITIONAL MOBILE HOME REQUIREMENTS.... 12

OPERATION..... 14

SMART STOVE WIFI CONNECTION..... 16

WIFI CONTROLS..... 17

MULTI FUNCTION CONTROLS..... 18

MAINTENANCE..... 19

CLEANING SCHEDULE..... 22

TROUBLESHOOTING..... 25

WIRING DIAGRAM..... 28

SERVICE PARTS..... 29

FCC INFORMATION

CAUTION: Changes or modifications not expressly approved by the party responsible for compliance could void the user’s authority to operate the equipment.

NOTE: This equipment has been tested and found to comply with the limits for a Class B digital device, pursuant to part 15 of the FCC Rules. These limits are designed to provide reasonable protection against harmful interference in a residential installation. This equipment generates, uses and can radiate radio frequency energy and, if not installed and used in accordance with the instructions, may cause harmful interference to radio communications. However, there is no guarantee that interference will not occur in a particular installation. If this equipment does cause harmful interference to radio or television reception, which can be determined by turning the equipment off and on, the user is encouraged to try to correct the interference by one or more of the following measures:

- Reorient or relocate the receiving antenna.
- Increase the separation between the equipment and receiver.
- Connect the equipment into an outlet on a circuit different from that to which the receiver is connected.
- Consult the dealer or an experienced radio/TV technician for help.

SPECIFICATIONS

Model #	N60WTS	N130WTS	NBF66WTS
DIMENSIONS			
Stove Weight [LBS (kg)]	194 (88)	231 (105)	258 (117)
Stove Dimensions LxWxH [in (cm)]	21.7" x 22" x 33.1" (55.2 x 56 x 84)	26.1" x 22.9" x 36.5" (66.2 x 58.2 x 92.8)	26.2" x 24" x 30.4" (66.5 x 61 x 77.3)
Air Inlet Pipe Diameter [in (mm)]	2" (50)	2" (50)	2" (50)
Air Outlet Pipe Diameter [in (mm)]	3" (76)	3" (76)	3" (76)
Pellet Hopper Capacity [LBS (kg)]	60 (27.2)	130 (59.0)	66 (29.9)
OPERATION SPECIFICATIONS			
Fuel	Wood Pellet	Wood Pellet	Wood Pellet
Heats approximately ** [ft ² (m ²)]	1500 - 2200 (139 - 204)	2000 - 3000 (186 - 279)	1800 - 2500 (167 - 232)
Carbon Monoxide Produced (g/min)	0.32 on High 0.18 on Low	0.20 on High 0.36 on Low	0.11 on High 0.21 on Low
Pellet Consumption Rate Low [LBS/HR (kg/HR)]	1.59 (0.72 - Dry)	1.98 (0.90 - Dry)	1.74 (0.79 - Dry)
Pellet Consumption Rate Medium [LBS/HR (kg/HR)]	2.03 (0.92 - Dry)	2.82 (1.28 - Dry)	2.36 (1.07 - Dry)
Pellet Consumption Rate High [LBS/HR (kg/HR)]	4.37 (1.98 - Dry)	4.83 (2.19 - Dry)	4.67 (2.12 - Dry)
Stove Efficiency	84%	77%	80%
Heat Output Rate Low [BTU/HR (kW)]	10,771 (3.16)	12,746 (3.74)	11,624 (3.41)
Heat Output Rate Medium [BTU/HR (kW)]	13,910 (4.08)	18,088 (5.30)	15,511 (4.55)
Heat Output Rate High [BTU/HR (kW)]	30,124 (8.83)	29,501 (8.65)	30,173 (8.84)
ELECTRICAL SPECIFICATIONS			
Electrical Supply Requirements [Voltage / Frequency / Phase]	120V / 60 Hz / Single	120V / 60 Hz / Single	120V / 60 Hz / Single
Electric Current During Lighting Phase [Amperes]	3.3	3.3	3.3
Auger Motor R.P.M.	2.4	2.4	2.4

This manual describes the installation and operation of the brand "Grand Teton" wood pellet fire stove. This stove meets the applicable U.S. Environmental Protection Agency's emission limits for pellet fired heaters sold after 2020. Under specific test conditions these stoves have been shown to deliver heat at rates ranging from:

N60WTS: 10,771 to 30,124 Btu/hr

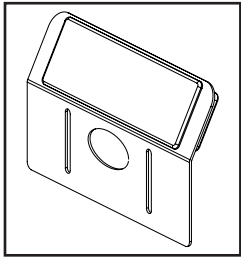
N130WTS: 12,746 to 29,501 Btu/hr

NBF66WTS: 11,624 to 30,173 Btu/hr

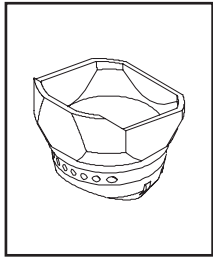
*BTU input/output will vary, depending on the brand of fuel you use in your Stove

** Depending on insulation rating of room and climate zone. Variations in climate and location affect attributes such as stove efficiency and CO produced.

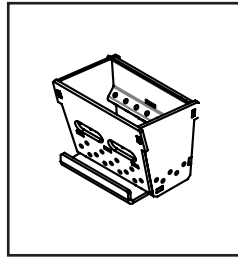
GETTING STARTED



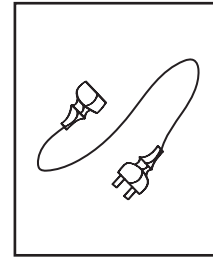
Display Panel



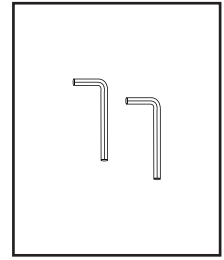
Firepot (NBF66WTS)



Firepot (N60WTS & N130WTS)

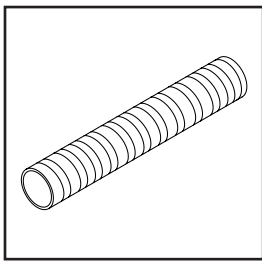


Main Power Cord

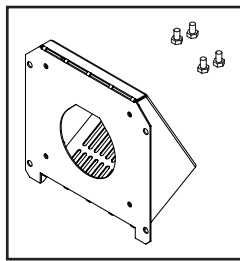


Allen Wrenches (x2)

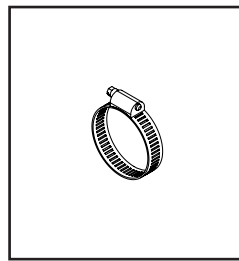
ACCESSORY KIT



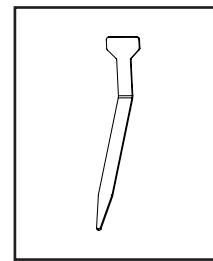
Flex Hose



Termination Cap and Screws (x4)



Hose Clamp



Cleaning Tool

WHAT YOU'LL NEED (NOT SUPPLIED)

TOOLS REQUIRED

- Tape Measure
- Phillips Screwdriver or Comparable Electric Screw Driver & Drill Bit.
- Stud Finder
- Plumb Bob
- Reciprocating Saw
- High Temperature Silicone or High Temperature Sealant or High Temperature Flue Tape
- Floor Protection (see "FLOORING SPACE" and "FLOORING MATERIAL" on page 6)
- Manufactured venting of 3" (80mm) in diameter of type "L" or "PL" which is listed to UL 641, ULC S609 (Standard for 650 C Factory-Built Chimneys), or ULC/ORD C441. Install per chimney manufacturer's instructions (see page 9)

SAFETY EQUIPMENT (RECOMMENDED)

- Safety Glasses
- Gloves
- Closed-toed Shoes
- A friend (the stove is heavy, do not attempt to move the stove without assistance)

⚠️ WARNING

- **INGESTION HAZARD:** This product contains a button cell or coin battery.
- **DEATH** or serious injury can occur if ingested.
- A swallowed button cell or coin battery can cause **Internal Chemical Burns** in as little as **2 hours**.
- **KEEP** new and used batteries **OUT OF REACH** of **CHILDREN**
- **Seek immediate medical attention** if a battery is suspected to be swallowed or inserted inside any part of the body.



BATTERY INFORMATION

- This product contains a lithium button/coin cell battery. If a new or used lithium button/coin cell battery is swallowed or enters the body, it can cause severe internal burns and can lead to death in as little as 2 hours. Always completely secure the battery compartment. If the battery compartment does not close securely, stop using the product, remove the batteries, and keep it away from children. If you think batteries might have been swallowed or placed inside any part of the body, seek immediate medical attention. Call a local poison control center for treatment information.
- Remove and immediately recycle or dispose of used batteries according to local regulations and keep away from children. Do NOT dispose of batteries in household trash or incinerate. Even used batteries may cause severe injury or death.
- Non-rechargeable batteries are not to be recharged. Do not force discharge, recharge, disassemble, heat above (manufacturer's specified temperature rating) or incinerate. Doing so may result in injury due to venting, leakage or explosion resulting in chemical burns.
- Ensure the batteries are installed correctly according to polarity (+ and -). Do not mix old and new batteries, different brands or types of batteries, such as alkaline, carbon-zinc, or rechargeable batteries. Remove and immediately recycle or dispose of batteries from equipment not used for an extended period of time according to local regulations.

SAFETY PRECAUTIONS

HAVE AN ESTABLISHED PLAN FOR WHAT TO DO IN THE EVENT OF A FIRE. CONTACT YOUR LOCAL FIRE AUTHORITY TO ACQUIRE INFORMATION AND A PLAN FOR WHAT TO DO IN THE EVENT OF A CHIMNEY FIRE.

⚠️ WARNING: DO NOT INSTALL IN SLEEPING ROOM.

⚠️ CAUTION: HANDLE STOVE WITH CARE. AVOID STRIKING, SCRATCHING OR SLAMMING GLASS ASSEMBLIES. DO NOT OPERATE WITH CRACKED, BROKEN OR SCRATCHED GLASS.

⚠️ WARNING: HOT WHILE IN OPERATION. KEEP CHILDREN, CLOTHING AND FURNITURE AWAY. CONTACT MAY CAUSE SKIN BURNS.

⚠️ WARNING: NEVER LEAVE CHILDREN NEAR THE STOVE UNATTENDED WHILE THE STOVE IS OPERATING.

⚠️ WARNING: DO NOT OVERFIRE. OVERFIRING THE APPLIANCE MAY CAUSE A FIRE. IF THE UNIT OR CHIMNEY CONNECTOR GLOWS, YOU ARE OVERFIRING.

⚠️ WARNING: THIS WOOD HEATER HAS A MANUFACTURER-SET MINIMUM LOW BURN RATE THAT MUST NOT BE ALTERED. IT IS AGAINST FEDERAL REGULATIONS TO ALTER THIS SETTING OR OTHERWISE OPERATE THIS WOOD HEATER IN A MANNER INCONSISTENT WITH OPERATING INSTRUCTIONS IN THIS MANUAL.

CARBON MONOXIDE

WARNING:

⚠️ WHEN USED WITHOUT ADEQUATE COMBUSTION AND VENTILATION AIR, THIS STOVE MAY GIVE OFF EXCESSIVE CARBON MONOXIDE, AN ODORLESS, POISONOUS GAS.

WARNING:

⚠️ EARLY SIGNS OF CARBON MONOXIDE POISONING RESEMBLE THE FLU, WITH HEADACHE, DIZZINESS AND/OR NAUSEA. IF YOU HAVE THESE SIGNS, STOVE MAY NOT BE WORKING PROPERLY. GET FRESH AIR AT ONCE! HAVE STOVE SERVICED.

SOME PEOPLE - PREGNANT WOMEN, PERSONS WITH HEART OR LUNG DISEASE, ANEMIA, THOSE UNDER THE INFLUENCE OF ALCOHOL, THOSE AT HIGH ALTITUDES - ARE MORE AFFECTED BY CARBON MONOXIDE THAN OTHERS.

Regardless of how safe this stove is, every fuel burning appliance creates Carbon Monoxide. It is always a good plan to reduce risk to you and your loved ones as much as possible by installing a Carbon Monoxide detector. It is recommended to install monitors in areas that are expected to generate carbon monoxide such as heater fueling areas, pellet fuel bulk storage areas, or sheds containing hydronic heaters. Follow the installation, operation, & maintenance instructions provided by the manufacturer of your detector.

SMOKE DETECTORS

Have at least 1 smoke detector on each floor of your building. Follow the installation, operation, & maintenance instructions provided by the manufacturer of your detector. Avoid false alarms by placing the detector outside the immediate vicinity of the stove. Typically a good installation location for smoke detectors is near bedrooms.

FOR MORE SAFETY INFORMATION

For auxiliary information regarding pellet stove safety and operation information contact the National Fire Protection Association (NFPA) by mail at:

NFPA, Batterymarch Park, Quincy, MA 02269

or visit the NFPA website:

<https://www.nfpa.org/>

CLEARANCE TO COMBUSTIBLES

The following stated clearances represent the minimum distances between the stove and any other object. No objects should encroach into this space. This includes but is not limited to carpet, furniture, children, pets, clothing, fuel, or any other object. These clearances may only be reduced by means approved by the regulatory authority having jurisdiction.

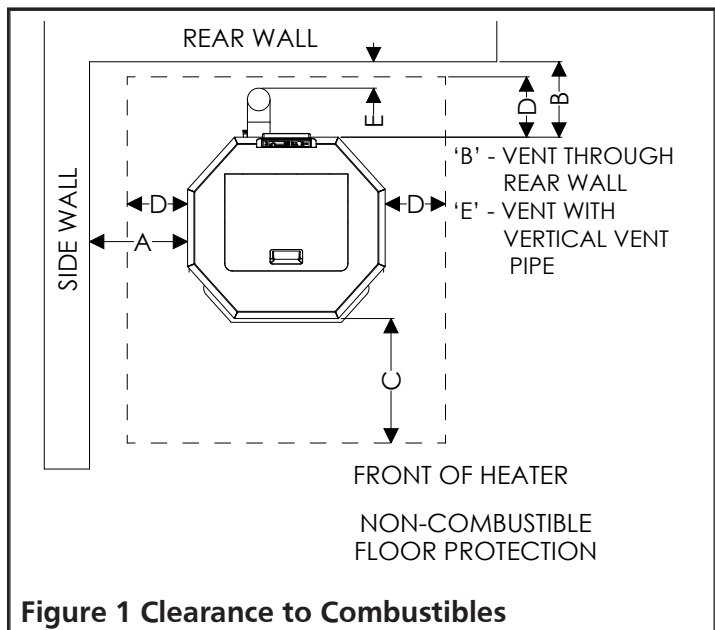


Figure 1 Clearance to Combustibles

	USA	CANADA
A	13" (330 mm)	13" (330 mm)
B	2" (51 mm)	2" (51 mm)
C	18" (457 mm)	18" (457 mm)
D	8" (203 mm)	8" (203 mm)
E	3" (76 mm)	3" (76 mm)

FLOORING SPACE & CLEARANCES

When installed on a combustible floor, non-combustible floor protection is required to:

- Cover the area beneath the stove and extend at least 18 inches (457 mm) to the front
- Cover the area at least 8 inches (203 mm) beyond each side of the room heater.
- Cover the area under the exhaust venting and 2 inches (50.8 mm) beyond each side.

Additionally, the wood pellet fire stove shall be positioned such that:

- It has at least 13" (330 mm) of clearance from the each side to the nearest body.

- It has at least 2" (51 mm) of clearance from the rear to the nearest body.
- Vertical runs of vent pipe must be at least 3" (76 mm) from any wall.

Finally, the area which the wood pellet fire stove is installed shall have a floor-to-ceiling distance of at least 84" (2134 mm).

FLOORING MATERIAL

Floor protection must be all of the following:

- Listed to UL 1618.
- At least 0.5" (13 mm) thick
- Constructed of non-combustible material.
- Have either:

Thermal resistance value R of $1.19 \frac{(\text{ft}^2)(\text{hr})(^\circ\text{F})}{\text{Btu}}$

Thermal conductivity value k of $0.84 \frac{(\text{Btu})(\text{inch})}{(\text{ft}^2)(\text{hr})(^\circ\text{F})}$

For assistance evaluating the suitability of substitute materials, the following equivalences of specifications and example below have been provided.

Thermal conductivity $k = \frac{\text{thickness}}{R} \left(\frac{(\text{Btu})(\text{inch})}{(\text{ft}^2)(\text{hr})(^\circ\text{F})} \text{ or } \frac{W}{(\text{m})(^\circ\text{K})} \right)$

Thermal conductance $C = \frac{1}{R} \left(\frac{(\text{Btu})}{(\text{ft}^2)(\text{hr})(^\circ\text{F})} \text{ or } \frac{W}{(\text{m}^2)(^\circ\text{K})} \right)$

Example: Required to protect floor with R value of $1.19 \frac{(\text{ft}^2)(\text{hr})(^\circ\text{F})}{\text{Btu}}$.

Evaluating merit of 2 inch (57 mm) thick brick with thermal conductivity $k = 4.16 \frac{(\text{Btu})(\text{inch})}{(\text{ft}^2)(\text{hr})(^\circ\text{F})}$ on top of 1/2 inch (6.3 mm) thick mineral board that has C value of $2.3 \frac{(\text{Btu})}{(\text{ft}^2)(\text{hr})(^\circ\text{F})}$.

Step 1. Calculate the R value of each floor material

$$R_{\text{BRICK}} = \frac{\text{thickness}}{k} = \frac{2.25}{4.16} = 0.54$$

$$R_{\text{BOARD}} = \frac{1}{C} = \frac{1}{2.3} = 0.434$$

Step 2. Add the equivalent R values for each floor material

$$R_{\text{BRICK}} + R_{\text{BOARD}} = 0.54 + 0.434 = 0.974$$

Step 3. This combined R value is **insufficient** and so more protection must be provided. For example, by using 2 layers of bricks:

$$R_{\text{BRICK}} + R_{\text{BRICK}} + R_{\text{BOARD}} = 0.54 + 0.54 + 0.434 = 1.514$$

Step 4. Because this combined R value is larger than the specification, this is a sufficient method for protecting the floor area underneath the stove.

UNPACKING

1. Remove heater from carton.
2. Remove all protective packaging applied to heater for shipment.
3. Check heater for any shipping damage. If any damage is found immediately contact the manufacturer at 866-740-2497.

⚠ CAUTION: DAMAGED PARTS MAY COMPROMISE SAFE OPERATION.

- **DO NOT INSTALL INCOMPLETE COMPONENTS.**
- **DO NOT INSTALL SUBSTITUTE COMPONENTS.**
- **DO NOT INSTALL DAMAGED COMPONENTS.**

4. Some components are packaged unattached from the stove in order to ensure their safety during shipping. Please find the protective packaging, likely inside the stove door, to proceed with assembly.

ASSEMBLY

STEP 1 - Display Panel

Insert the display panel into the top and rear of the stove. Be sure that the display panel screen is facing towards the front of the stove. Secure the screen using two of the provided screws.

STEP 2 - Display Panel Power Cord

This cord should be wrapped up near the top of the stove. Insert free end into the back of the display panel (see figure 16 on page 15). This wire should already be connected to the stove's power board. This connection can be checked behind the access plate at the bottom and rear of stove.

STEP 3 - Main Power Cord

The main power cord attaches to the stove at the exposed socket in the rear of the stove. Once any necessary assembly of the display panel screen is complete, you may briefly plug your stove in and press red power button to ON to make sure that it functions properly before proceeding with installation. Turn OFF and unplug the stove once you confirm that the display panel works.

⚠ CAUTION: DO NOT LEAVE THE STOVE PLUGGED INTO ANY ELECTRICAL SUPPLY DURING ASSEMBLY OR INSTALLATION.

STEP 4 - Firepot

With the stove unplugged from any power supply, the firepot should be inserted into the stove so that it is securely positioned and also the hot surface igniter should be able to make physical contact with pellets that would be held in the firepot. See Figure 2 or 3.

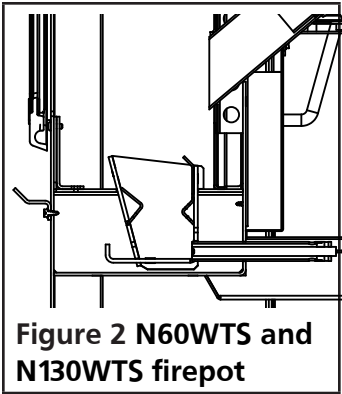


Figure 2 N60WTS and N130WTS firepot

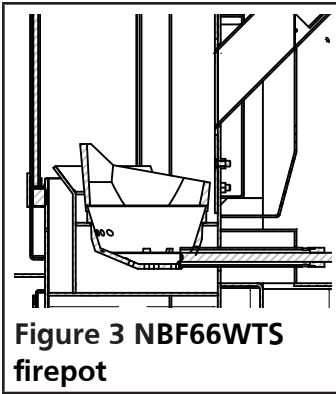


Figure 3 NBF66WTS firepot

A cleaning tool is also packaged which facilitates safely cleaning the firepot perforations of debris.

STEP 5 - Air Intake Kit

Locate the air intake kit packaged with the stove. See Figure 4. Take measurements of your space and plan for the installation of horizontal venting to the outside as may be required per recommendations in "FRESH AIR AND VENTILATION REQUIREMENTS 1" on page 9. Follow all ventilation requirements and guidelines specified in "INSTALLATION" on page 8.

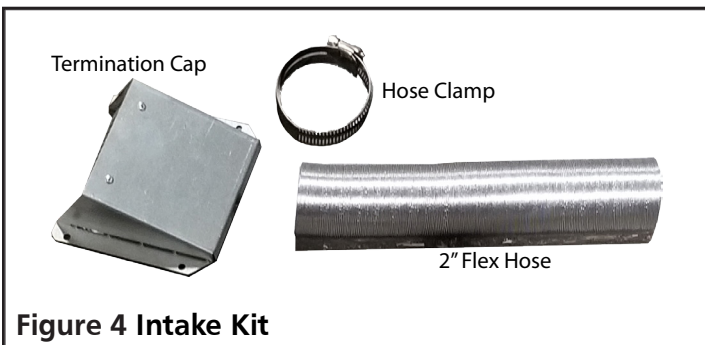


Figure 4 Intake Kit

Additional Assembly N60WTS, N130WTS

- The door handle: open the door, and screw the plastic grip onto the thread of the handle.



Figure 5 Door Handle

INSTALLATION

CONTACT INFORMATION

If you have any questions regarding ventilation options of your stove, contact either:

The manufacturer Mr. Heater Company at 1-866-740-2497/1-800-251-0001 • Weekends/After Hours 423-488-6316 • grandtetoncollection.com. Our office hours are 8:00 AM – 5:00 PM, EST, Monday through Friday.

The National Fire Protection Association (NFPA) and request a copy of the latest editions of NFPA Standard 211. The mailing address of the NFPA is Batterymarch Park, Quincy, MA 02269.

⚠ WARNING: WHEN THIS STOVE IS NOT PROPERLY INSTALLED, A HOUSE FIRE MAY RESULT. TO REDUCE THE RISK OF FIRE, FOLLOW THE INSTALLATION INSTRUCTIONS. CONTACT LOCAL BUILDING OR FIRE OFFICIALS ABOUT RESTRICTIONS AND INSTALLATION INSPECTION REQUIREMENTS IN YOUR AREA.

⚠ CAUTION: ANY DEVIATION OR ALTERATION FROM THESE INSTALLATION INSTRUCTIONS MAY RESULT IN DAMAGE TO YOU, THE STOVE, YOUR CHIMNEY, AND YOUR HOME. YOUR WARRANTY MAY BECOME VOID. READ AND FOLLOW ALL INSTRUCTIONS. Contact Mr. Heater with any comments, concerns, or questions.

⚠ CAUTION: CONTACT LOCAL BUILDING OR FIRE OFFICIALS ABOUT RESTRICTIONS AND INSTALLATION INSPECTION REQUIREMENTS IN YOUR AREA.

PLANNING

Make sure that you have selected the correct stove for your heating requirements by checking the specifications table on page 3.

Take measurements of your space and plan for your chimney system as detailed in the following instructions.

This stove may be installed for use in a mobile home. In addition to the following instructions, review and adhere to the mandatory requirements on page 12.

ELECTRICAL CONSIDERATIONS

The rear of the stove will need to be within power cord distance, which is roughly 80 inches (203 cm), of an electrical outlet. Lay the power cord out such that it will not come into contact with the stove's surface.

FRESH AIR AND VENTILATION REQUIREMENTS

When deciding the location of the stove ensure that the space will always have a source of fresh air available. Failure to do so may result in air starvation of other fuel burning appliances and the possible development of hazardous conditions.

Provision for outside combustion air may be necessary to ensure that fuel-burning appliances do not discharge products of combustion into the house. Guidelines to determine the need for additional combustion air may not be adequate for every situation. If in doubt, it is advisable to provide additional air. Outside combustion air may be required if these or other indications suggest that infiltration air is inadequate:

- The wood pellet fired stove does not draw steadily, experiences smoke roll-out, burns poorly, or back-drafts, whether or not there is combustion present.
- Existing fuel-fired equipment in the house, such as fireplaces or other heating appliances, smell, do not operate properly, suffer smoke roll-out when opened, or back-draft, whether or not there is combustion present.
- Any of the above symptoms are alleviated by opening a window slightly on a calm (windless) day.
- The house is equipped with a well-sealed vapor barrier and tight fitting windows and/or has any powered devices which exhaust house air.
- There is excessive condensation on windows in the winter.
- A ventilation system is installed in the house.

Additional combustion air may be directly provided from the outdoors to the wood pellet fired stove by using the included air intake kit to connect to the inlet at the bottom and rear of the stove. Any such installation must satisfy Clause 4 of CSA Standard B365.

⚠ CAUTION: NEVER DRAW OUTSIDE COMBUSTION AIR FROM:

- A WALL, FLOOR OR CEILING CAVITY.
- AN ENCLOSED SPACE SUCH AS AN ATTIC, GARAGE OR CRAWL SPACE.

⚠ CAUTION: IF USING AN AIR INTAKE CONNECTION THEN THE STOVE MUST BE INSTALLED SUCH THAT IT IS ATTACHED TO THE STRUCTURE.

ADDITIONAL VENTING REQUIREMENTS

A minimum 6 feet of total vent pipe (not including elbows) must be utilized.

- Use 3" vent pipe for the entire system OR a 4"/6" adapter may be used on the exhaust immediately as it leaves the stove.
- If the system is above 16 feet, use 4" vent pipe.
- Minimum amount of vertical pipe is 4 feet and a 45 degree / vent cap is required at venting termination.

IMPORTANT: Silicone seal must be added between the double walls of the terminal pipe.

CONNECTOR REQUIREMENTS AND ASSEMBLY

⚠ CAUTION: A CHIMNEY CONNECTOR SHALL NOT PASS THROUGH AN ATTIC OR ROOF SPACE, CLOSET OR SIMILAR CONCEALED SPACE, OR A FLOOR, OR CEILING. WHERE PASSAGE THROUGH A WALL, OR PARTITION OF COMBUSTIBLE CONSTRUCTION IS DESIRED, THE INSTALLATION SHALL CONFORM TO CAN/CSA-B365, INSTALLATION CODE FOR SOLID-FUEL-BURNING APPLIANCES AND EQUIPMENT

Any connector pipes or elbows should be installed with the crimped end on the stove end of the path (not the chimney cap end) and should be secured with three evenly spaced sheet metal screws.

Connectors, elbows, and chimneys should be type 'L' or 'PL' and have a 80mm, or 3 inch diameter as the flue system is based on negative pressure in the combustion chamber and a slight overpressure on the flue gas outlet. It is therefore important that the flue gas connection is fitted correctly and is airtight. It is recommended that connectors, elbows, and chimneys be at least 24 gauge, double walled, type B ventilation.

Note that bends in the exhaust path restricts air flow, reducing performance and provides a collection point for ash deposits requiring more frequent cleaning.

⚠ CAUTION: THE JOINTS OF ANY AND ALL CONNECTIONS FOR ANY VENTILATION SYSTEMS (COMBUSTION EXHAUST AND OPTIONAL INLET AIR DUCT) MUST BE SEALED WITH HIGH TEMPERATURE SILICONE.

GENERAL VENTING REQUIREMENTS

⚠ CAUTION: DO NOT CONNECT TO ANY AIR DISTRIBUTION DUCT OR SYSTEM.

⚠ CAUTION: DO NOT CONNECT THIS UNIT TO A CHIMNEY FLUE SERVING ANOTHER APPLIANCE.

⚠ CAUTION: DO NOT INSTALL A FLUE DAMPER IN THE EXHAUST VENTING SYSTEM OF THIS WOOD PELLET FIRED STOVE.

⚠ CAUTION: DO NOT INSTALL IN ANY FIREPLACE.

This wood pellet fire stove must be connected to either of the following:

- Class A listed chimney complying with the requirements for Type HT chimneys in the Standard for Chimneys, Factory-Built, Residential Type and Building Heating Appliance, UL 103.
- A International Conference of Building Officials (ICBO) standards for solid fuel Stoves code-approved masonry chimney.

VENT TERMINATION

- Install exhaust vent at clearances specified by the vent manufacturer.
- Install exhaust vent terminations at clearances specified by the vent manufacturer.
- If using the air intake kit, ensure that there is at least 12 inches clearance between the exhaust vent termination and the intake air inlet.
- It is recommended to keep at least 12" (30.5 cm) of clearance between any vent termination and windows, doors, or outside corners.

- Use silicone to create an effective vapor barrier at the location where the chimney or other component penetrates to the exterior of the structure.
- For additional requirements check local codes.

Any vertically terminated chimney systems must meet the following minimum requirements:

- Must be at least 15 feet (4.6 m) tall, measured from the top of the stove to the tip of the chimney cap.
- Must be at least 3 feet above the roof, measured from the highest point of contact with the roof and the tip of the chimney cap.
- Must be at least 2 feet (61 cm) above the highest point of the slope of the roof within 10 feet (305 cm) horizontally.

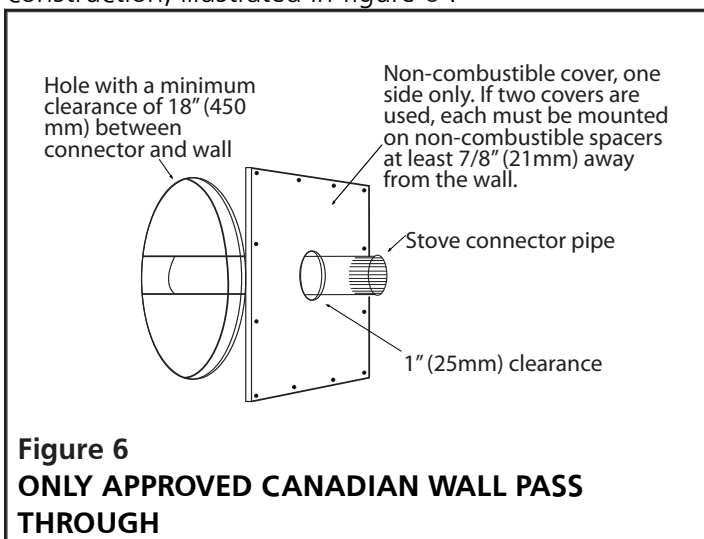
Any horizontally terminated chimney systems must meet the following minimum requirements:

- Must have at least 12" (30.5 cm) clearance above grade, veranda porch, deck or balcony (including vegetation and mulch).

PASSING THROUGH A WALL

Where passage through a wall or partition of combustible construction is desired, the installation shall conform to chimney manufacturer's instructions.

NOTE: In Canada, installation must conform to CAN/CSA-B365 when passing through combustible construction, illustrated in figure 6 .



NFPA 211 (US ONLY) APPROVED WALL PASS THROUGH TECHNIQUES

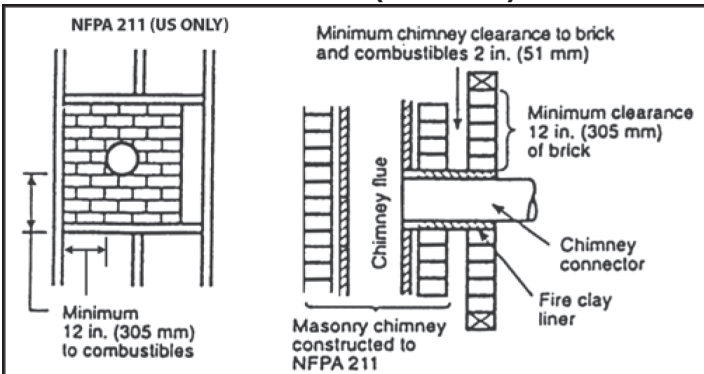


Figure 7 (US ONLY)

Brick Masonry: Minimum 3.5 inch (89 mm) thick brick masonry all framed into combustible wall with a minimum of 12 inch (305 mm) brick separation from clay liner to combustibles. The fireclay liner shall run from outer surface of brick wall to, but not beyond, the inner surface of chimney flue liner and shall be firmly cemented in place.

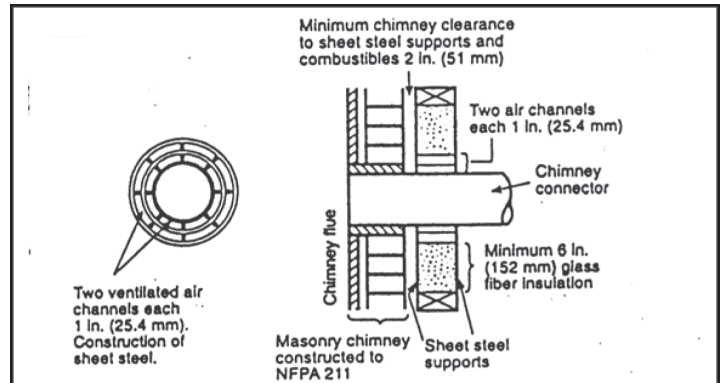


Figure 9 (US ONLY)

Ventilated Thimble: Sheet steel chimney connector, minimum 24 gauge in thickness, with a ventilated thimble, minimum 24 gauge in thickness, having two 1 inch (25.4 mm) air channels, separated from combustibles by a minimum of 6 inches (152 mm) of glass fiber insulation. Opening shall be covered, and thimble supported with a sheet steel support, minimum 24 gauge in thickness.

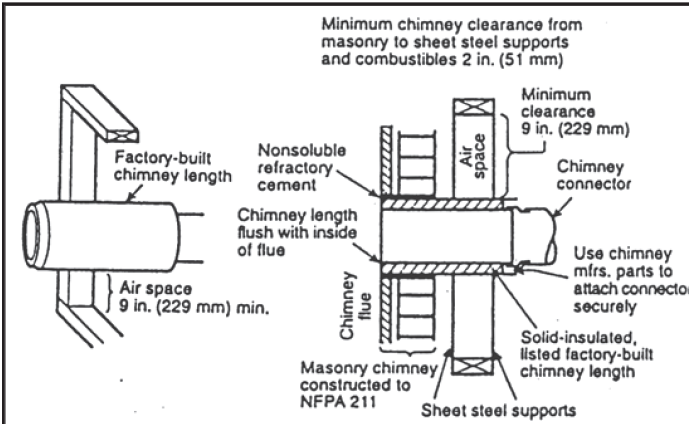


Figure 8 (US ONLY)

Insulated Sleeve: Solid-insulated, listed factory-built chimney length of the same inside diameter as the chimney connector and having 1 inch (25.4 mm) or more of insulation with a minimum 9 inch (229 mm) air space between the outer wall of the chimney length and combustibles.

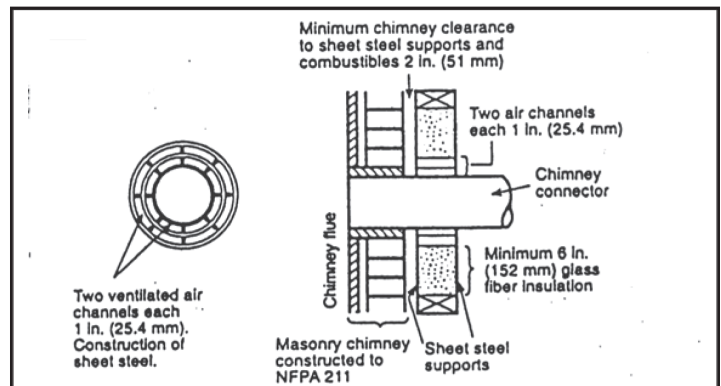


Figure 10 (US ONLY)

Chimney Section Pass-through: Solid insulated, listed factory-built chimney length with an inside diameter 2 inches (51 mm) larger than the chimney connector and having 1 inch (25.4 mm) or more of insulation, serving as a pass-through for a single wall sheet steel chimney connector of minimum 24 gauge thickness, with a minimum 2 inches (51 mm) of air space between the outer wall of chimney section and combustibles. Minimum length of chimney section shall be 12 inches (305 mm) chimney section spaced 1 inch (25.4 mm) away from connector using sheet steel support plates on both ends of chimney section. Opening shall be covered, and chimney section supported on both sides with sheet steel support securely fastened to wall surfaces of minimum 24 gauge thickness. Fasteners used to secure chimney section shall not penetrate chimney flue liner.

ADDITIONAL MOBILE HOME REQUIREMENTS

⚠ WARNING: DO NOT INSTALL IN SLEEPING ROOM.

PARTS & MATERIALS REQUIRED (NOT SUPPLIED)

- A 80mm diameter chimney which complies to UL 103, Standard for Factory-Built Chimneys for Residential Type and Building Heating Appliances.
- Ceiling thimble suitable for use in mobile home.
- Roof thimble suitable for use in mobile home.
- Spark arrestor suitable for use in mobile home.
- Roof flashing suitable for use in mobile home.

ADDITIONAL INSTALLATION REQUIREMENTS

- The chimney shall attach directly to the room heater and shall extend at least 3 feet (0.9 m) above the part of the roof through which it passes.
- The top of the chimney is to be at least 2 feet (0.6 m) above the highest required elevation of any part of the mobile home within 10 feet (3 m) of the chimney.
- All roof-chimney terminations shall be able to be readily removed at or below an elevation of 13½ feet (4.1 m) above ground level and reinstalled without the use of special tools or instructions.
- The chimney assembly shall be provided with a mechanical securement means to secure the chimney to the ceiling support box.
- Chimney Guard Requirements:
 - When the chimney exits the mobile home at a location other than through the roof, and exits at a point 7 feet (2.1 m) or less above the ground level on which the mobile home is positioned, a guard or method of enclosing the chimney shall be provided at the point of exit for a height up to 7 feet.
 - The chimney guard shall not have any openings large enough that a 3/4 inch diameter rod can enter.
 - The chimney guard shall not have any openings large enough that a 1/2 inch diameter rod can enter beyond 4 inches
- The stove must be on installed on a level surface which can support the weight of the stove.
- The stove must be bolted to the level surface so that it permanently secured and can not be moved, tipped, or have ventilation seals compromised.
- The stove must be provided a permanently ducted source of outside air to support combustion which meets the following requirements:
 - The duct must be made of metal exclusively, not other materials such as plastic.

- The end of this duct must be equipped with a screen which prevents rodents from infiltrating.
- The end of this duct must be kept free of leaves, snow, ice, or other debris that could restrict air supply when the appliance is in operation.

- The joints of any and all connections for both of ventilation systems (the inlet air and the combustion exhaust) must be sealed with high temperature silicone.
- The chimney must comply with all applicable codes and requirements of the authority having jurisdiction.
- The chimney must be removed for any mobile home transportation, and reinstalled abiding all requirements after transportation.

The flue system is based on negative pressure in the combustion chamber and a slight overpressure on the flue gas outlet. It is therefore important that the flue gas connection is fitted correctly and is airtight.

⚠ CAUTION: THE STRUCTURAL INTEGRITY OF THE MOBILE HOME FLOOR, WALL, CEILING, AND ROOF MUST BE MAINTAINED.

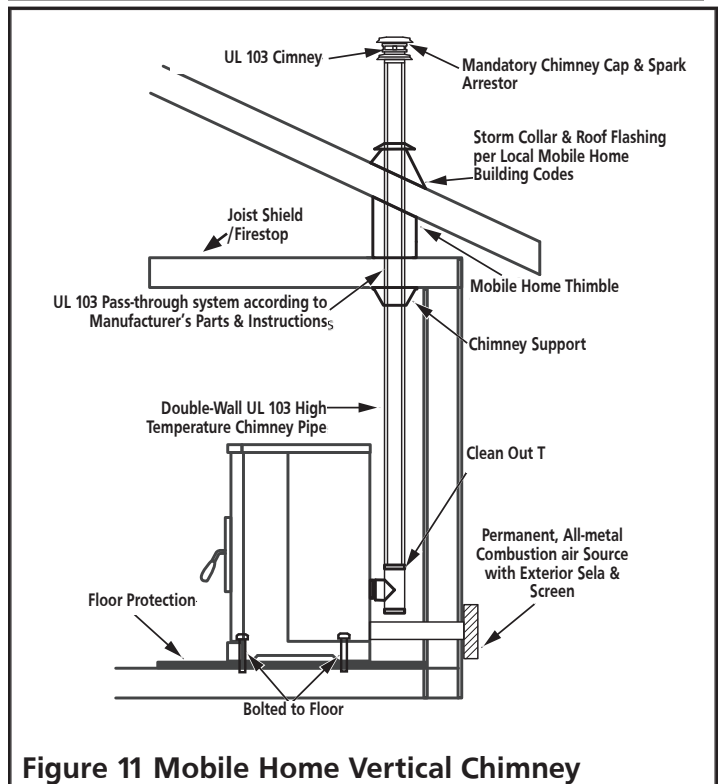


Figure 11 Mobile Home Vertical Chimney

LINED MASONRY CHIMNEY INSTRUCTIONS & DIAGRAM

This stove is designed to be vented through a masonry chimney which conforms to local building codes, fire codes, and latest edition of NFPA 211 US or CAN/CSA-B365.

1. If the connection piping from the stove to a masonry chimney is made through a combustible wall, consult a qualified mason or chimney dealer for consultation. To ensure safety, the installation should only be done by a qualified installer. The installation must conform to the regulations established by local fire codes and building codes
2. The chimney connection must not be obstructed by the chimney connector pipes, such as the figure 12 below illustrates.

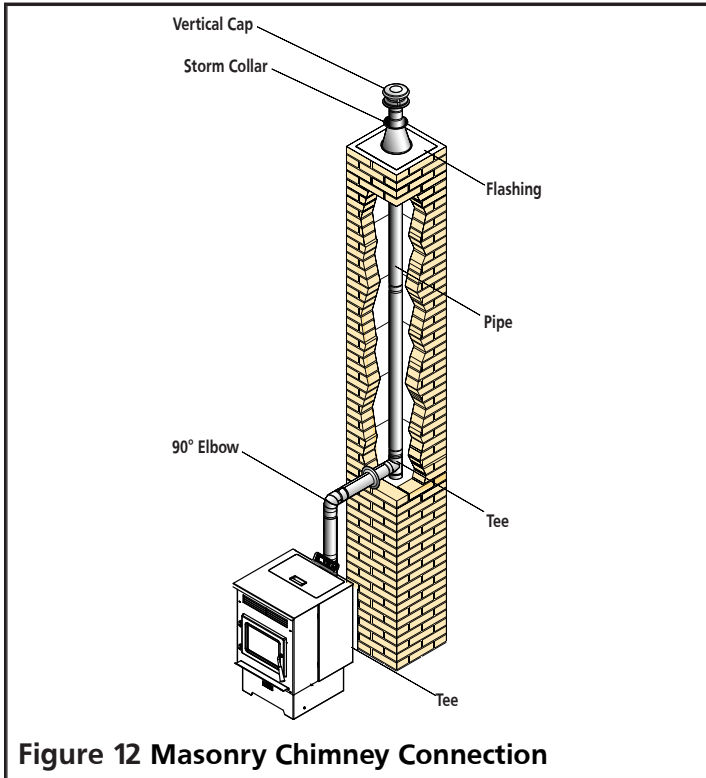


Figure 12 Masonry Chimney Connection

3. If there is an opening at the base of the chimney it must be closed tightly.

MANUFACTURED CHIMNEY INSTRUCTIONS & DIAGRAM

⚠ WARNING: DO NOT USE SINGLE-WALL CONNECTION PIPE AS A CHIMNEY.

This stove is designed to be used with either a UL 103HT (US)/ULC-S629 (CAN) listed manufactured chimney or an approved lined masonry chimney. Not all manufactured chimneys are UL103 HT/ULC-S629 listed. Home centers, hardware stores, HVAC supply stores, and the Online websites of chimney manufacturers will be able to provide stove pipe that is rated to these standards.

This listing indicates that the Chimney is rated for high temperatures up to 2100 F (1149 C)

Only use components that all come from the same manufacturer. Do not mix brands of components for the same ventilation system.

Grand Teton Wood Pellet Fire Stove

The following figures illustrate various methods and requirements of using a manufactured chimney and connection pipes to vent the stove.

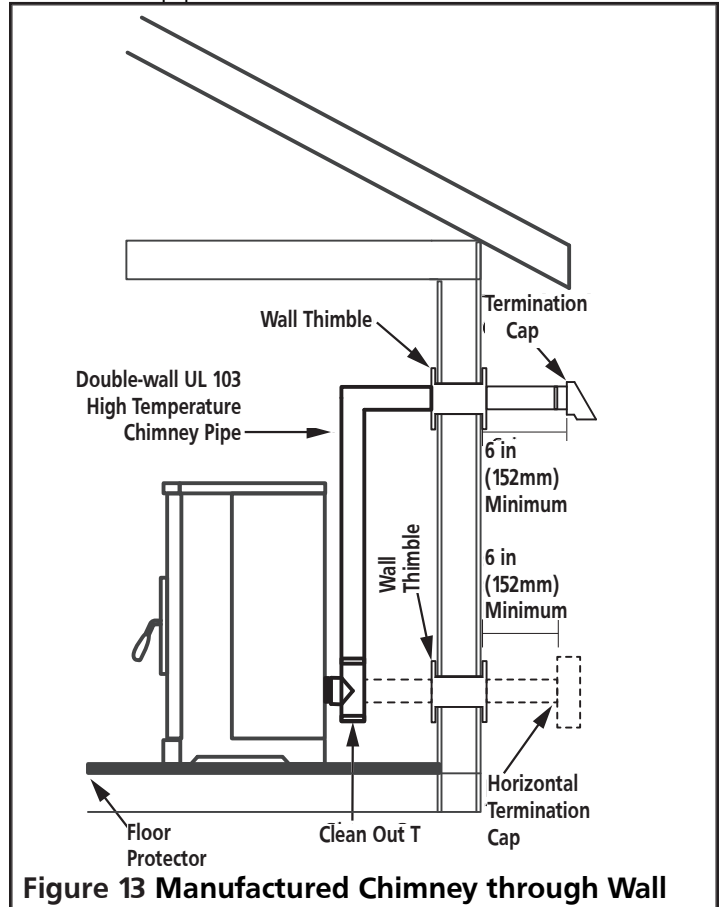


Figure 13 Manufactured Chimney through Wall

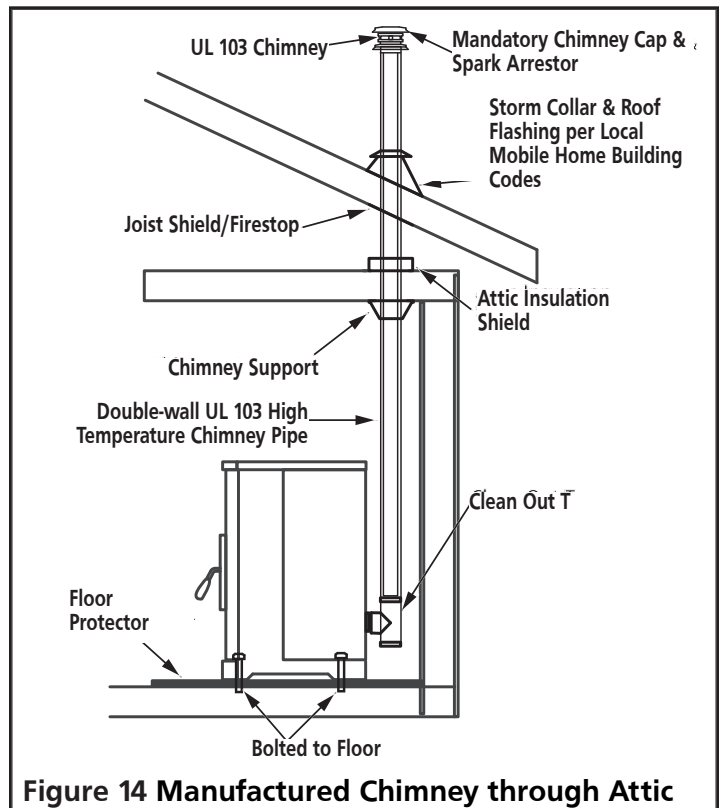


Figure 14 Manufactured Chimney through Attic

OPERATION

THEORY OF OPERATION

1. Combustion occurs in the fire pot, supported by air introduced to and under the fire pot. Note that some air blows in from the top of the combustion chamber; this helps keep ash and debris from accumulating on the door.
2. The exhaust blower draws combustion products from the stove and directs it out user-installed venting.
3. The auger transfers pellets from the hopper to the fire pot to sustain the fire.
4. A convection blower propagates air along the outside of the fire box, circulating warm and clean air into the room.

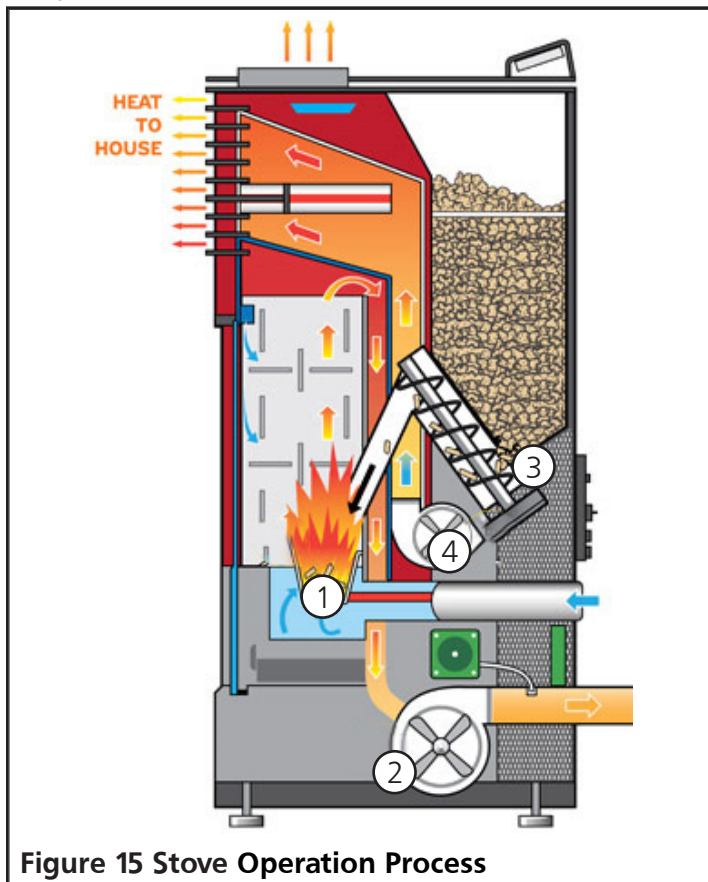


Figure 15 Stove Operation Process

APPROVED FUEL:

Do not use less than PFI premium-grade pellets. Use 100% natural hardwood pellets, untreated and without bonding agents added (max bark proportion of 5%) are the only fuel approved for use with this pellet stove. For best results see the specifications below:

- Calorific Value of 5.3 kWh/kg
- Density of 700 kg/m³
- The pellets should be low ash (less than 1 % ash)
- The pellets should be less than 30mm long, with a diameter between 5 and 6.5 mm.

- Do not use the pellet sediment & debris at the bottom of the pellet container.
- Store pellets in sacks, made of environmentally neutral or biologically degradable plastic or from paper (2-3 layers / similar to cement packaging).

Use of wood pellets that do not meet these specifications may result in ignition difficulty, accelerated creosote or flyash build up, incomplete combustion, low heat yield, and blackening of the glass in the door.

⚠ CAUTION: DO NOT USE CHEMICALS OR FLUIDS TO START THE FIRE.

⚠ CAUTION: DO NOT BURN GARBAGE OR FLAMMABLE FLUIDS SUCH AS GASOLINE, NAPHTHA OR ENGINE OIL.

⚠ CAUTION: NEVER ATTEMPT TO USE ANY OF THE FOLLOWING MATERIALS AS FUEL:

- Paper products, cardboard, or particleboard;
- Garbage;
- Animal remains or manure;
- Lawn clippings or yard waste;
- Waste petroleum products;
- Coal;
- Construction or demolition debris;
- Railroad ties or pressure-treated wood;
- Materials containing
 - asbestos
 - plastic
 - rubber (including tires)
- Petroleum products such as
 - paints
 - paint thinners
 - asphalt products

BURNING THESE MATERIALS MAY RESULT IN RELEASE OF TOXIC FUMES OR RENDER THE HEATER INEFFECTIVE AND CAUSE SMOKE

Do not store wood pellet fuel or other fire starting materials on floor protector, underneath stovepipe, or anywhere within minimum clearances from combustible surfaces specified on page 6.

Wood pellet fuel should be stored in a dry, well ventilated area.

⚠ CAUTION: DO NOT store unused pellets in the stove for future use as they may collect moisture. Using wet or damp pellets may result in ignition difficulty, incomplete combustion, and the potential for a hopper fire.

OPERATING PRECAUTIONS

⚠ WARNING: HOT WHILE IN OPERATION. DO NOT TOUCH THE STOVE. KEEP CHILDREN, CLOTHING AND FURNITURE AWAY. CONTACT MAY CAUSE SKIN BURNS.

⚠ CAUTION: ENSURE THAT THE FIREPOT AND THE PAN UNDERNEATH ARE CLEAN AND IN THE PROPER OPERATING POSITION BEFORE USING THE STOVE.

⚠ WARNING: NEVER USE GASOLINE, GASOLINE-TYPE LANTERN FUEL, KEROSENE, CHARCOAL LIGHTER FLUID, OR SIMILAR LIQUIDS TO START OR 'FRESHEN UP' A FIRE IN THIS HEATER. KEEP ALL SUCH LIQUIDS WELL AWAY FROM THE HEATER WHILE IT IS IN USE.

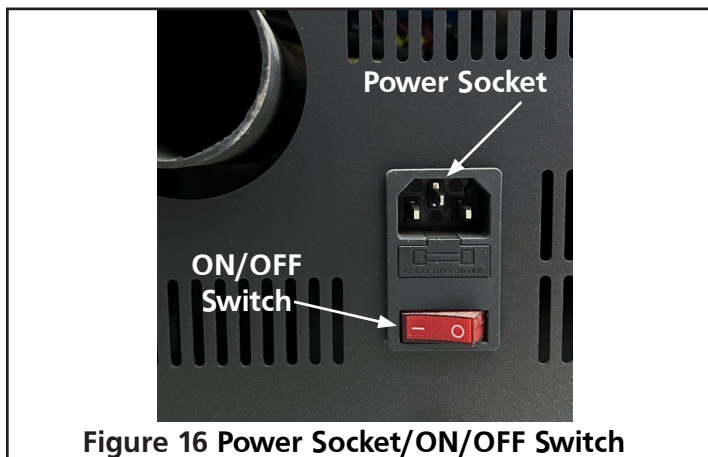
PAINT CURING

To allow the paint to bond durably to the stove, start by running the stove on P1 Maximum Power for at least 60 minutes. Provide cross ventilation to eliminate odors or smoke cause by this curing process.

OPERATING PROCEDURE: TURN ON STOVE

NOTE: If the display screen indicates that the stove is "Switching Off" the stove can not be interrupted. The Display Message will highlight to indicate that the state will not be changed. Only once the "Switching Off" cycle has finished and the exchanger has cooled can the stove be turned back on again.

1. Plug power cord into socket on the rear bottom of stove and press the red ON/OFF toggle switch above it to ON. See Figure 16.



NOTE: TO PREVENT STOVE FROM BEING OPERATED, TURN OFF RED POWER SWITCH ON BOTTOM, REAR OF STOVE.

2. Make sure that seals on the ash drawer and door are in good condition. If the stove has never been run before, add a handful of pellets directly to the firepot. Close the ash drawer and doors securely, and check that all side panels are all properly installed.

NOTE: DO NOT USE GRATES, IRONS, OR ANY OTHER METHODS OF SUPPORTING WOOD PELLET FUEL. ONLY THE FIREPOT SPECIFIC TO YOUR MODEL OF STOVE MAY BE USED.

3. Open the hopper. Ensure that there are a sufficient number of pellets to satisfy your heating requirements. Close the hopper.
4. Press and hold the power icon for 3 seconds on the display panel. The stove will begin to automatically progress through the following stages:
 - Cleaning Cycle: The firepot draws dust, ash, & remnants out.
 - Feeding Cycle: Pellets will be transported from the Pellet Hopper into the fire pot by the auger. This can take 5 to 15 minutes depending on the model of stove.
 - Lighting Cycle: The electrically powered hot surface igniter will run the entire lighting cycle and for a couple minutes after the stove reaches stabilizing and also begin combustion of the pellets in the firepot. The heater will remain in the Lighting Cycle until the exhaust smoke reaches a designated temperature.
 - Stabilization Cycle: The heater adjusts to fine tune the stove output to the desired temperature. Stabilizing will continue until the stove reaches the thermostat desired temperature.
5. The stove has been successfully turned on.

OPERATING PROCEDURE: TURN OFF STOVE

NOTE: THE STOVE MAY BE TURNED OFF, REGARDLESS OF WHAT CYCLE THE DISPLAY SCREEN INDICATES THAT THE STOVE IS IN, BY DEPRESSING AND HOLDING THE POWER BUTTON FOR TWO SECONDS. ONCE THE DISPLAY SCREEN INDICATES THAT THE STOVE IS IN THE STABILIZATION CYCLE PRESS THE POWER BUTTON AGAIN. THE STOVE WILL ENTER THE COOLING CYCLE, STATED ON THE DISPLAY SCREEN.

⚠ CAUTION: AFTER THE COOLING CYCLE THE STOVE AUTOMATICALLY BEGINS THE PROCESS OF CYCLING ON.

1. Press the power icon on the display panel. The stove will begin to automatically progress through the following stages:
 - Switching Off: Any remaining fuel in the firepot will continue to burn and produce heat and flame. After 5 to 8 minutes the firepot ought to be devoid of fuel. The heat exchanger may then begin to cool off.
 - Goodbye: The final message from the display screen to designate that the stove has cooled.
2. The stove has been successfully turned off.

OPERATION WITH AN ELECTRICAL GENERATOR

This stove is designed to have the option of being powered by an electrical generator, though not all electrical generator's may be compatible with this stove. Consult the information regarding your generator's electrical regulator and make sure that it meets the electrical requirements of this stove, as stated on page 3.

MINIMIZING CREOSOTE FORMATION

See "MAINTENANCE" on page 19 for an explanation of Creosote formation and removal. To slow the build up of creosote within your chimney burn only the recommended fuel, see page 14.

DISPOSAL OF ASHES

⚠ CAUTION: EMBERS MAY BE OBSCURED BY ASH. HANDLE ASH WITH TOOLS SUFFICIENT FOR FIRE TENDING, NEVER DIRECTLY WITH YOUR HANDS. WEAR FIRE RETARDANT CLOTHING AND PROTECTIVE EYEWARE.

Ashes should be placed in a metal container with a tight fitting lid.

1. Other waste shall not be placed in ash containers.
2. The closed container of ashes should be placed on a noncombustible floor or on the ground, well away from all combustible materials, pending final disposal.
3. Wood mineral residue (approximately 1-2%) remains in the ash and is an excellent natural fertilizer product for all garden plants. Before disposing ashes of by burial in soil or otherwise locally dispersed, they should be retained in the closed container until all any and all cinders have thoroughly cooled and should also be "quenched" with water.

SMART STOVE WIFI CONNECTION

This stove can be monitored, controlled, and programmed by using the GTC Smart Stove App which

is available for iOS or android device. Scan QR code on the cover of this manual.

Step 1. Download the GTC Smart Stove App.

Step 2. Open the GTC Smart Stove app. The app opens, by default, to the "Register" screen. Click on the "Register" button.

Step 3. Enter your email address in the "Email" field and click the "Get Verification Code" button.

Step 4. Enter the verification code that was emailed to you in the "Enter Verification Code" field.

Step 5. Now you can set a unique password for your device in the "Set Password" field and hit the "Done" button.

Step 6. If you have no other wifi enabled devices already added to this app there will be a large "Add Device" button in the center of the screen which you can select. Otherwise, select the + symbol in the top right of the screen.

Step 7. Make sure that your device is connected to the wifi network which you want the stove to be connected to.

Step 8. Make sure that the wood pellet fire stove is plugged into an electrical outlet and can be powered on.

Step 9. Follow the directions on the screen by pressing and holding the connection button for 3 seconds on the back bottom of the stove as illustrated in the figure below. Once you observe the desired blinking pattern on the indicator light, press the confirmation button at the bottom of the screen.

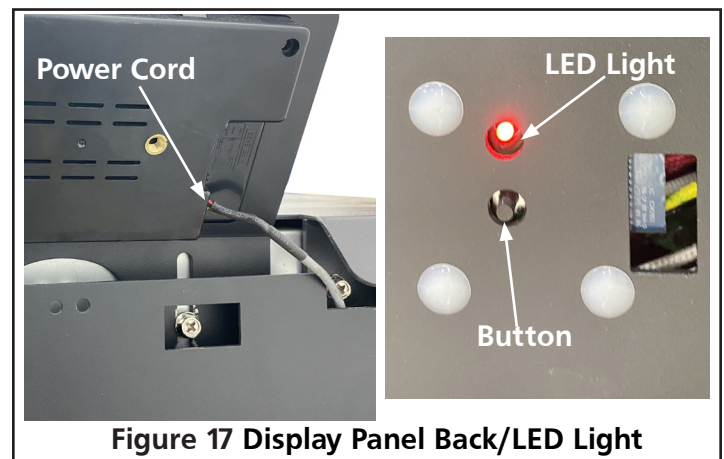


Figure 17 Display Panel Back/LED Light

Step 10. Enter the password for the wifi network so that the stove can connect to the wifi network.

Step 11. The stove will begin pairing with the device running the application through the wifi network. This process may take a few minutes.

Step 12. After the device and stove are paired, you will be able to see the pellet stove as a connection option on the “Devices” tab at the bottom of the app screen.

Step 13. On your device, go to your device’s wifi settings which will now include the stove as an option. Select the stove as your wifi connection.

Step 14. Open the Smart Stove phone app again.

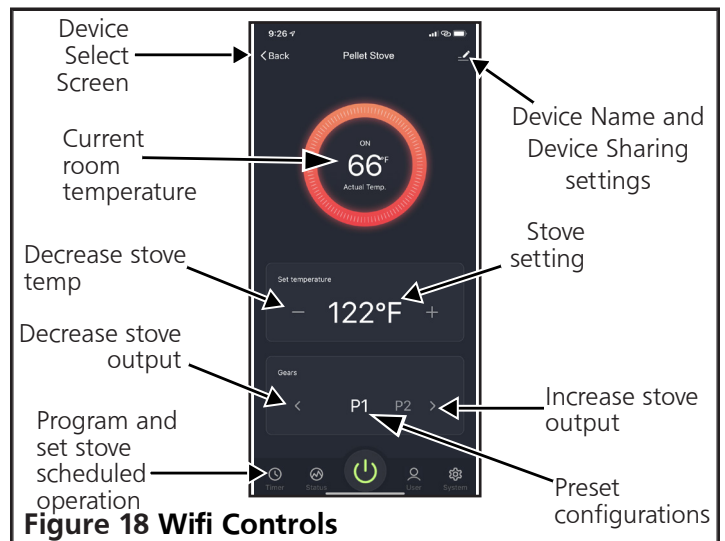
Step 15. You may now select this stove from this added devices list in order to monitor, control, and program the stoves operation.

NOTE: Refer to the Quick Start Guide included with stove for more detailed app setup information.

WIFI CONTROLS

Once connected to the stove (See step 13 of Wifi Connection) you can remotely monitor and adjust the operation of the stove. See below for explanation:

- **Device Name:** it is possible to rename the stove, so that if you have multiple stoves set up for operation you can more easily differentiate between while using the smart stove application.
- **Device Sharing:** it is possible to share connection to the stove with other devices via SMS or email.
- **Eco Mode:** There are two ECO settings which can be selected which will conserve wood pellets while maintaining the desired temperature. Pressing the ECO button will allow you to toggle whether a specific eco setting is enabled, or to turn off the feature entirely.
 - **ECO 1:** The stove shuts off when the desired temperature has been reached. The stove will turn back on once the room cools to a factory set temperature.
 - **ECO 2:** The stove turns to minimum power preset P4 when the desired temperature has been reached. The stove will turn on to higher power settings once the room cools to a factory set temperature.
- **Preset configurations:** There are four selectable configurations which adjust the speeds of the combustion fan and the room air circulation fan. Pressing the preset configuration button will allow you to toggle whether a specific preset configuration is enabled, or to turn off the feature entirely.
 - P1 [Maximum Power] Settings
 - P2 [Medium Power] Settings
 - P3 [Low Power] Settings
 - P4 [Minimum Power] Settings



N60WTS, N130WTS, AND NBF66WTS MULTI FUNCTION CONTROLS

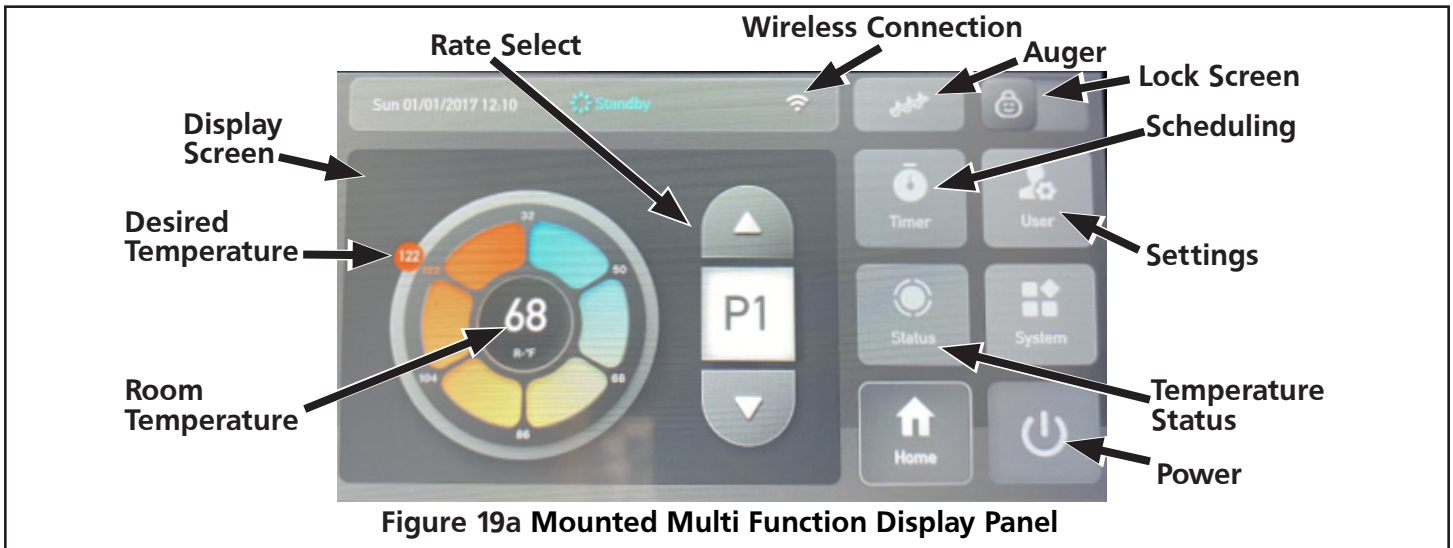


Figure 19a Mounted Multi Function Display Panel



Figure 19b User Menu

Mounted Button Functionality: Normal Operation

Power

- Press to begin stove heating if the stove was off.
- Press to begin stove shut off if the stove was on.

Temperature Status

- Press to see temperature readings of the stove.
- Displays the exhaust pipe temp, the hopper protection temp and number of run hours etc.

Settings

- Press to enter User Settings Menu (Figure 19b).
- On this menu, you may select °F or °C, ECO Mode (see Wi-Fi controls for explanation), Stir Time/Exhaust Fan/Blower settings, etc.

Scheduling

- Press to enter desired run times.

Lock Screen

- Lock screen will illuminate when screen is locked in a Programmed Mode.

Auger

- Allows user to use/engage the auger directly, prep/pre-feed the firepot, or get pellets into the auger/unit prior to lighting.

Rate Select

- Pressing the rate select arrows will toggle between four configurable heating presets (see Wi-Fi controls for explanation of P#'s). The currently set preset is displayed between the Up and Down arrows.

Desired Temperature

- Using your finger, press down and rotate around the wheel to desired temperature (only applicable when using Thermostat and ECO modes).

CAUTION: The manufacturer has programmed preset rates to ensure proper operation. It is not advised to reprogram rate settings.

MAINTENANCE

This wood heater needs periodic inspection and repair for proper operation. It is against federal regulations to operate this wood heater in a manner inconsistent with operating instructions in this manual.

⚠ CAUTION: TURN OFF AND UNPLUG THE STOVE FROM ANY SOURCE OF ELECTRICAL POWER TO UNIT BEFORE PERFORMING ANY MAINTENANCE OR SERVICE OPERATIONS.

⚠ CAUTION: ALLOW STOVE TO COOL DOWN BEFORE PERFORMING ANY MAINTENANCE OR SERVICE OPERATIONS.

⚠ CAUTION: DURING ANY ASSEMBLY OR DISASSEMBLY, BE WARY TO NOT DROP ANY ITEMS (SCREWS, ETC.) INTO THE PELLET HOPPER. DEBRIS CAN JAM THE AUGER AND DAMAGE THE STOVE.

The frequency which your stove's requires cleaning and maintenance depends on the fuel that you use. High moisture, ash, dust, and chips can more than double the necessary maintenance. Use only the tested and recommended wooden pellets fuel.

Clean the fire pot and fire pan every day, before using the stove and while the stove is cooled down, the stove is unplugged, and there are no embers. Use a vacuum cleaner to remove ash and debris from the fire pot, and then lift the fire pot to also clean the fire pan. It is important that ash or debris does not block any air openings.

A general cleaning schedule is as follows:

- Fire Pot: After 10 bags of wood pellets, or every day. Whichever is more frequent.
- Ash Drawer: After 50 bags of wood pellets
- Passageways: After 100 bags of wood pellets
- Blower: After 100 bags of wood pellets

IMPORTANT: Also make sure to refer to the separate Cleaning Schedule at the end of this section.

CLEANING: FIRE POT & PAN

⚠ CAUTION: IF STOVE IS INTENDED TO OPERATE CONTINUOUSLY, IT MUST BE TURNED OFF TWICE WITHIN EACH 24 HOUR PERIOD IN ORDER TO CLEAN THE FIRE POT AND FIRE PAN. ALWAYS ALLOW THE STOVE TO COOL DOWN AND ANY EMBERS TO EXTINGUISH BEFORE CLEANING THE FIRE POT AND FIRE PAN.

Make sure that you put the fire pot back onto the fire pan in the correct orientation, so that pellets can be added to the pot and successfully ignited for the next operation of the stove.

CLEANING: GLASS

⚠ WARNING: DO NOT CLEAN GLASS WHEN HOT.

Though the circulation of air across the glass reduces acidic ash build up, cleaning the glass in the stove door is still required periodically. Cleaning is necessary to prevent glass from being weakened which may increase likelihood of cracks. It is not acceptable to operate the stove with cracked or broken glass.

The best way to clean the door glass is using a damp cloth that has a smear of cool ash on it. For extra stubborn dirt, consult your local hardware store or stove specialist for a suitable cleaner.

⚠ WARNING: DO NOT CLEAN GLASS WITH ABRASIVE CLEANERS OR BY ANY OTHER PROCESS WHICH MAY SCRATCH OR DAMAGE THE GLASS.

CLEANING: OUTLET PASSAGEWAY

The outlet passageway should be cleaned at least once a year. Burning high ash pellets may require that the passageway are cleaned more frequently.

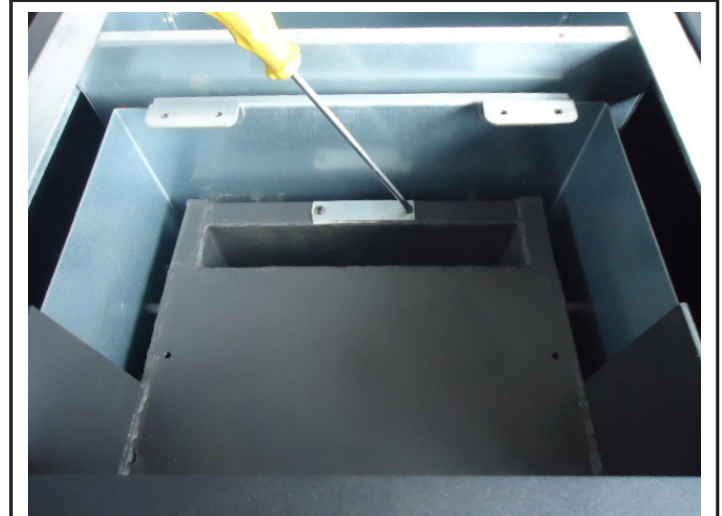


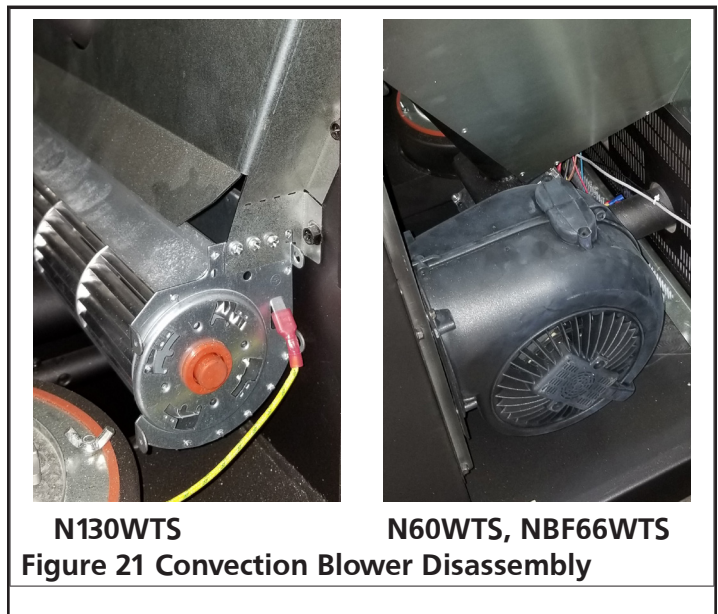
Figure 20 Outlet Duct

On each side of the stove there are two access covers that can be removed by removing the fastening screws. See Figures 21, 24 and 25. Turn off the stove, allow the stove to cool down, and unplug the stove before disassembly and cleaning. Insert a cleaning brush into the openings to loosen any ash build up and then use a vacuum cleaner to remove the loosened ash. Replace the covers and secure with the allen head screws.

There is one more opening to the outlet passageway which can be accessed by removing the ash drawer. Loosen the two 5/32" allen head screws shown in Figure 20. Rotate the cover to expose the opening. Use a cleaning brush to loosen any ash build up. Insert a cleaning brush into the openings to loosen any ash build up and then use a vacuum cleaner to remove the loosened ash. Rotate the cover back over the opening and secure with the allen screws.

CLEANING: CONVECTION BLOWER

When facing the heater, the blower motor responsible for introducing air for heating and circulation to the room is located on the right hand side. Remove or open the side panel to obtain access. Clean the convection blower as required, before using the stove and while the stove is cooled down, the stove is unplugged, and there are no embers. Take care to not damage the blower's blades during cleaning. Use a vacuum to remove any dust accumulation of the blower's blades or inside the blower duct.



CLEANING: EXHAUST VENT PIPE

Inspect the exhaust venting system at least once a year to determine if cleaning is necessary. During start up, shut down, and erroneous operation of the stove incomplete combustion can produce ash, soot, and creosote. To clean the exhaust venting system insert an appropriate sized cleaning brush into the pipe to loosen and remove any ash or debris build up. Build up of debris and ash can restrict the flow of gases which will affect stove performance, and failure to remove creosote may result in a dangerous chimney fire.

FLYASH - FORMATION AND NEED FOR REMOVAL

The products of combustion will contain small particles of flyash. The flyash will collect in the exhaust venting system and restrict the flow of the flue gases. Incomplete combustion, such as occurs during startup, shutdown, or incorrect operation of the room heater will lead to some soot formation which will collect in the exhaust venting system. The exhaust venting system should be inspected at least once every year to determine if cleaning is necessary. Use the appropriate sized chimney brush to remove ash and buildup from the venting.

CREOSOTE - FORMATION AND NEED FOR REMOVAL

Failure to remove creosote may result in a dangerous chimney fire.

When wood pellets burn at a low temperature they produce tar and other organic vapors, which combine with expelled moisture to form creosote. The creosote vapors condense in the relatively cool chimney flue of allow-temperature fire. As a result, creosote residue accumulates on the flue lining. When ignited this creosote makes an extremely hot fire. The chimney connector and chimney should be inspected at least once every few months during the heating season to determine if a creosote buildup has occurred. If a significant layer of creosote has accumulated (eighth of an inch, 3 mm, or more) it should be removed to reduce the risk of a chimney fire. Use the appropriate sized chimney brush to remove ash and buildup from the venting.

Be aware that the hotter the fire the less creosote is deposited, and weekly cleaning may be necessary in mild weather even though monthly cleaning may be enough in the coldest months. Contact your local municipal or provincial fire authority for information on how to handle a chimney fire. Have a clearly understood plan to handle a chimney fire.

REPLACING: GLASS

Replacing the door glass is only permitted by replacing the entire door assembly provided by the manufacturer. See pages 7 through 29.

⚠ WARNING: SUBSTITUTING ALTERNATE MATERIAL MAY SHATTER GLASS AND CAUSE INJURY.

REPLACING: SEALING GASKETS

Over time the sealing gaskets along the glass, door, or ash drawer may lose their rigidity. These seals are essential for providing a seal which allows the stove to operate safely. Inspect the gaskets periodically, and if they become worn contact the manufacturer for information on original or equivalent gasket.

To replace the gasket:

1. Ensure that all pellets are extinguished and that the stove is cool to the touch.
2. Remove old gasket and clean the gasket gutter.
3. Apply a thin coat of high temperature gasket cement along the inside of the gasket gutter.
4. Press the beginning of the replacement gasket into the most up and most left position of the prepared gasket gutter.
5. Continue pressing the replacement gasket clockwise along the gasket gutter until it has wrapped back to where the gasket was pressed in initially.
6. Trim any excess replacement gasket away, and press the remaining end into the gutter to complete the seal.

Close the door, drawer, or ash drawer and allow 3 to 4 hours for the cement to set before operating the stove.

REPLACING: HOT SURFACE IGNITER

Ensure that the stove is off and allow it time to become cool to the touch. After gaining access to the back, undo the screw located on the back inside of the main body. Pull the hot surface igniter free, and install replacement service part. See Figure 22 and 24.

NOTE: DEPENDING ON THE MODEL OF THE STOVE, IT MAY BE NECESSARY TO REMOVE THE AUGER MOTOR IN ORDER TO SLIDE THE IGNITER OUT OF ITS HOUSING.

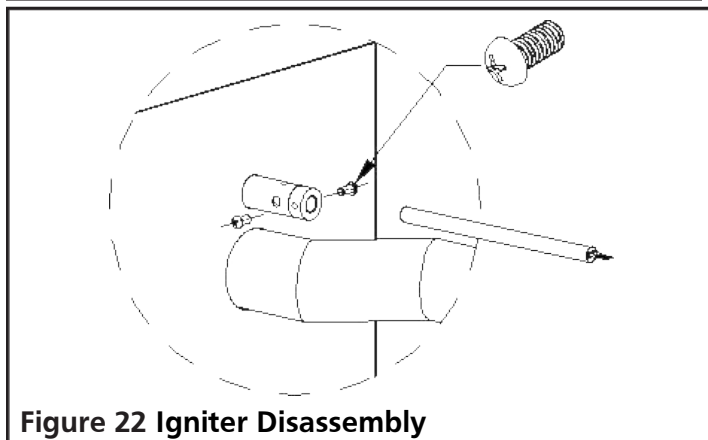


Figure 22 Igniter Disassembly

REPLACING: AUGER SYSTEM

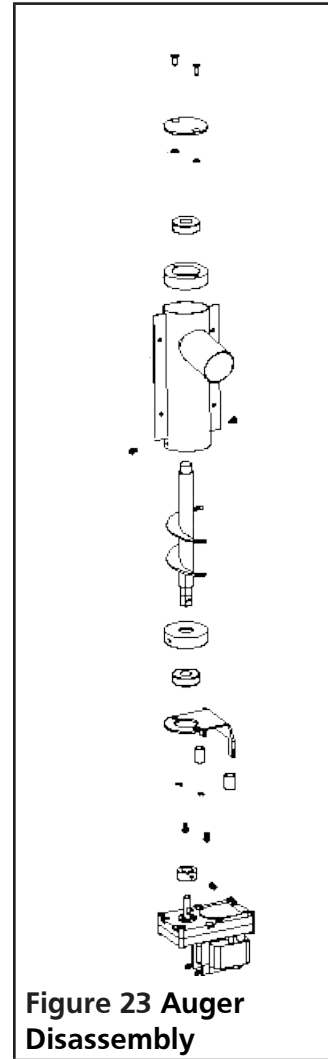


Figure 23 Auger Disassembly

Ensure that the stove is off and allow it time to become cool to the touch. After gaining access to the back, the auger can be disassembled part by part in the order indicated in Figure 23.

REMOVING BACK AND SIDE PANEL



Figure 24 N130WTS Back & side disassembly

- To remove the N130WTS side panels, remove the screws securing it on the rear of the heater. Then slide the panel along the side of the heater away from the front.
- To remove the N130WTS rear plate, remove the 8 screws securing it at the bottom and rear of the stove.
- To remove the N60WTS side panels, remove the screws securing it on the rear of the heater. Then pull the panel directly away from the heater.
- To open the side of the NBF66WTS model, simply swing the side panel free of the magnetic lock.

REPLACING: HEAT EXCHANGE BLOWER

Unplug the heater. Disconnect any wiring leading to the Heat Exchange Blower. Remove the screws holding the mounting plate to the heater. Slowly remove blower and replace with new one. Replace screws and wiring.

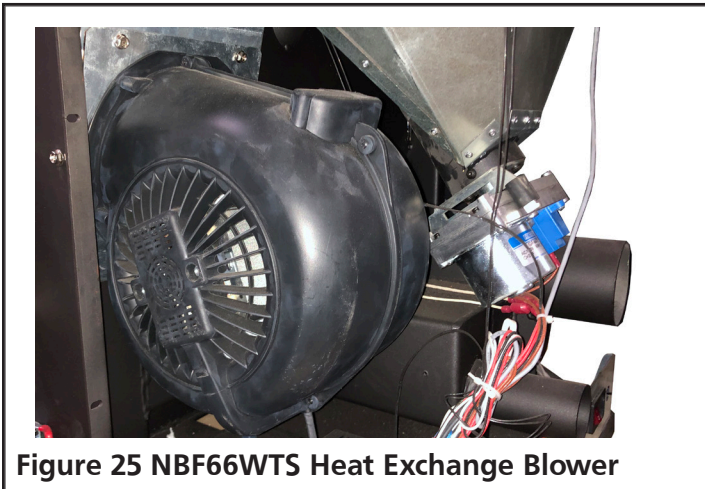


Figure 25 NBF66WTS Heat Exchange Blower

REPLACING: EXHAUST BLOWER

Unplug the heater. Disconnect any wiring leading to the Exhaust Blower. Remove the wing nuts holding the Exhaust Blower plate to the blower housing. Slowly remove blower and replace with new one. Replace wing nuts and wiring.

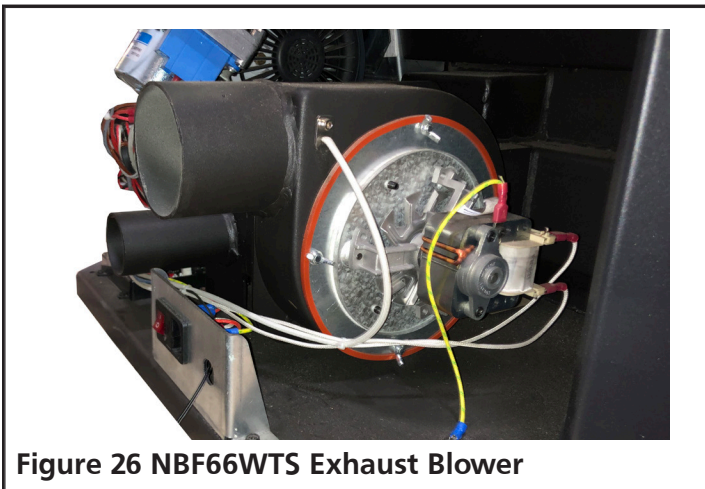


Figure 26 NBF66WTS Exhaust Blower

SAFETY COMPONENTS

1. Vacuum Pressure Switch: A safety vacuum switch is located behind the left door, fastened to the base. If a low pressure is created in the firebox by a leak, opening the door to the firebox, a blocked flue, or an unsealed ash drawer then the switch will shut the stove off as a precaution. Error code E5 will appear on the display panel.
2. High Limit Thermostat: A high temperature limiter is installed on the bottom of the hopper. If this sensor is exposed to temperatures higher than 185° F then the stove is shut off.
3. Vent Pipe High Temperature Thermostat: A high temperature limiter is installed on the vent pipe. If this sensor is exposed to temperatures higher than 104° F then the circulation fan blower is switched on.
4. Vent Pipe Low Temperature Thermostat: If the stove cools below a minimum temperature the stove will switch off. This may occur when the operating procedure fails to quickly and sufficiently heat the stove.
5. Fuse: A fuse on the rear of the device protects the stove from power surges. See Figure 27.



Figure 27 Fuse

PELLET STOVE CLEANING SCHEDULE

DAILY CLEANING

Step 1:

Shut down the stove and let it cool completely.

Step 2:

Grab your ash vacuum to remove ash and debris from the firepot and surrounding area, as well as any piles of ash or debris that you see.

Step 3:

Lift up and remove firepot – be certain this area is clear of debris. Vacuum under the firepot, taking special care to vacuum the airway under the firepot.

Step 4:

Grab your cleaning tool and move to the firepot. Scrape any debris out of the firepot, making sure that all of the holes in the firepot are free from any buildup.

Step 5:

Wipe down the glass. Never clean the glass with cool water or cleaner when the glass is still warm, since this can cause the glass to crack. The method we recommend requires a damp paper towel or cloth. Dab it on to cooled ashes and then wipe down the glass starting from the top.

Step 6:

Certain models have ash drawers. It is a good idea to empty it every time you clean your stove. You can use an ash vacuum to clean the ashes out of the drawer.

Step 7:

The mini models have cleaning rods. Your cleaning rods should be used daily after the stove has cooled down. These are cleaning inside of the exhaust where ash and debris can build up. When too much build up occurs your stove will not have the proper amount of airflow.

WEEKLY CLEANING**Step 1:**

Recommend letting the stove run out of pellets so the hopper is empty. Vacuum out the hopper. Clean any dust out of the hopper and inspect your auger.

Step 2

The medium and large models have flue plates. Remove the center flue plate by sliding it up. After the center flue plate is slid up and out you can remove the left and right plates. Vacuum and brush off the flue plates, scrape away any clinkers and build-up. Check the walls behind the flue plates for any debris. Be sure to vacuum behind the flue plates as well.

Step 3:

If equipped, remove the ash drawer and vacuum out the drawer. Then brush and scrape away any slag and build up. Make sure the area under the drawer is also clean.

Step 4:

Inspect auger chute. If you notice any build-up of creosote or pellet dust, clean the chute with a wire brush.

EVERY OTHER WEEK

Go outside, and visually inspect the termination cap on the exhaust. Make sure animals are not trying to make it their home and check for any buildup of ash on the grate.

AT LEAST ONCE A MONTH**Step 1:**

Use a cleaning brush to clear out the air inlet, located beneath the fire pot going towards the back of the stove; exact placement and size will vary from model to model.

Step 2:

For the Medium and Large models with the flue plates, the exhaust port is behind a flue plate, left of the firepot. Be sure to clean that with a wire brush and vacuum.

Step 3:

Use a cleaning brush to clear out the air exhaust ports in your burn chamber. The number of exhaust ports varies from model to model.

For the Mini models: There are four exhaust ports are at the top of the burn chamber.

For the Bayfront models: There are two exhaust ports on the top of the burn chamber.

Verifying they are clear will ensure optimal airflow in the chamber.

EVERY TWO (2) TONS OF PELLETS, OR EVERY OTHER MONTH

Inspect the clean out tee. Remove any ash that has built up and reseal the connection if necessary.

ANNUALLY

- It is important to remove the combustion fan, use a wire brush on creosote, and vacuum debris. This is important for under the fan and on the fan itself. When you remove the combustion fan, if the gasket is torn you can remove the gasket and use red RTV high temperature silicone to make a new gasket for the fan.
- You may need to remove the pipe from the back of your stove and use a wire brush and vacuum to clean that as well.
- It may be necessary to hire a chimney sweep to clean out your venting system regularly. You must take special care with elbows as they can build up creosote more than straight pipes.
- It is also a good idea to clean your inlet duct yearly as well.


For the Mini models: It is located behind the right-hand side panel. There is an air inlet cover that must be removed, and the airway should be cleaned. If the gasket gets torn or damaged a new one can be made with red RTV.

For the Bayfront models: The airways have an opening behind the ash drawer. The ash drawer will need to be removed completely, and the covers can be removed with a 3MM Allen key. A wire brush and a vacuum can be used to clean the airways.

ERROR CODES

NOTE: IN THE EVENT OF A POWER FAILURE (ERROR CODE E7), A SMALL AMOUNT OF SMOKE MAY BE EMITTED. THIS LASTS 3 TO 5 MINUTES AND DOES NOT REPRESENT A SAFETY RISK.

⚠ CAUTION: IF OVERHEATING HAS OCCURRED (ERROR CODES E5 AND E6), THEN AN INSPECTION, MAINTENANCE, AND/OR CLEANING MUST OCCUR BEFORE THE STOVE CAN SAFELY BE OPERATED AGAIN.

After following the suggested solution steps, press the confirm button  to clear the error code from the error code from the multi function display screen. Then go through the operation procedure specified on page 15 to restart the heater.

ERROR CODE	CAUSE	SOLUTION
E1	Exhaust temperature is below 40 - 45 °F Operation has been interrupted and the fire has been discontinued.	<ol style="list-style-type: none"> 1. Check that the pellet hopper has fuel. 2. Check that the auger motor is not damaged and is able to fill the firepot with fuel.
E2	Failure to ignite the fuel in fire pot.	<ol style="list-style-type: none"> 1. Check that there are no "clinkers" (glass like lumps of various sizes formed by debris exposed to high heat, more common when using low quality fuel) in fire pot. 2. Check that the firepot is sitting in the holder correctly and that the igniter is not obstructed. 3. Check that the exhaust gas temperature sensor switch, beside the combustion fan, is not broken. 4. Check that the igniter is not broken.
E5	Low pressure detected at the vacuum switch (located behind the left door, fastened to the base).	<ol style="list-style-type: none"> 1. Check that the door, and ash drawer if present, has been closed properly. 2. Check that there is nothing obstructing the exhaust duct nor that the duct is leaking. 3. Check that the combustion fan is not broken.
E6	Failure at the high temperature sensor (located below the pellet hopper).	<ol style="list-style-type: none"> 1. Check that the switch is not broken. 2. The temperature of the sensor is too high. The stove is not running properly. Call customer service.
E7	Power failure.	Press the Confirm button to clear the error code. Then restart the stove. You may chose to skip directly into the stabilization cycle by depressing and holding the rate selector button for 3 seconds.
E9	Hopper sensor. Hopper low on pellets.	<ol style="list-style-type: none"> 1. Replenish pellets in hopper.
ESC1	Short circuit at temperature sensor #1.	<ol style="list-style-type: none"> 1. Check wires and connection points. 2. Contact Tech Support for assistance.
ESO1	Open circuit at temperature sensor #1.	<ol style="list-style-type: none"> 1. Check wires and connection points. 2. Contact Tech Support for assistance.

ERROR CODES CONTINUED

ESC2	Short circuit at temperature sensor #2.	1. Check wires and connection points. 2. Contact Tech Support for assistance.
ESO2	Open circuit at temperature sensor #2	1. Check wires and connection points. 2. Contact Tech Support for assistance.
ESC3	Short circuit at temperature sensor #3	1. Check wires and connection points. 2. Contact Tech Support for assistance.
ESO3	Open circuit at temperature sensor #3	1. Check wires and connection points. 2. Contact Tech Support for assistance.

TROUBLESHOOTING

SYMPTOM	CAUSE	SOLUTION
Heater does not turn on.	Power Switch turned off.	Turn on power switch.
	Power Cord disconnected.	1. Press power cord tightly into the heater 2. Ensure that the wall socket is delivering 120 Volts.
	Fuse is blown.	Replace the fuse.
The blower does not turn on during Cleaning Cycle, Feeding Cycle, or Lighting Cycle.	This is normal.	There is no problem, the blower does not turn on until the stabilization cycle.
The blower does not turn on during Stabilization Cycle.	No power in stove or in control panel.	Check the power and wires.
	Mother board disconnected.	Make sure all terminals to mother board are connected.
	Low Temperature sensor is broken.	Replace the low temperature sensor.
During operation, including the Lighting phase, the auger is not filling the firepot with pellets.	No fuel in Pellet Hopper.	Add Fuel to Pellet Hopper.
	Auger is blocked, jammed, or disconnected.	1. Unplug the unit so that it will not start suddenly and then unblock the auger. 2. Check that the auger is not blocked. If it is blocked, remove the cause of the jamming. 3. Check that the auger screw fastening the auger to the motor is secure.

TROUBLESHOOTING CONTINUED

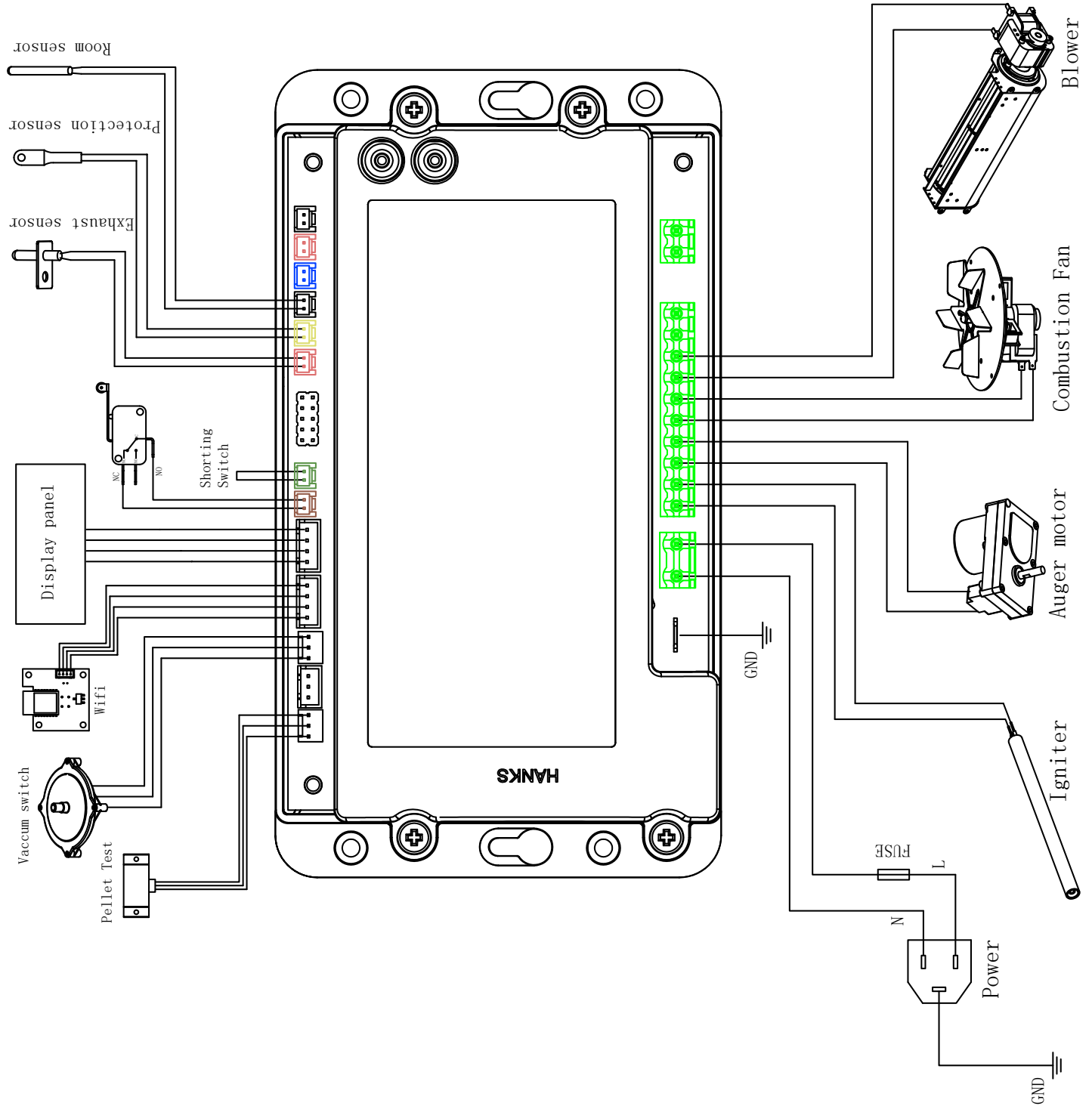
SYMPTOM	CAUSE	SOLUTION
Too much fuel in the firepot. The fuel can not be completely and thoroughly burned.	The feeding speed is faster than what combustion can support.	1. Increase the fan's speed to increase the rate of combustion.
Not enough fuel in the firepot.	The feeding speed is too low to support the rate of combustion.	1. Decrease the fan's speed to decrease the rate of combustion.
After the fire has started, the stove turns off 15 minutes later.	The pellet hopper is low on fuel.	Check that the pellet hopper has a sufficient amount of fuel.
	The auger is not operating.	1. Unplug the unit so that it will not start suddenly and then unblock the auger. 2. Check that the auger is not blocked. If it is blocked, remove the cause of the jamming. 3. Check that the auger screw fastening the auger to the motor is secure.
	The 30 ° C temperature switch has triggered.	1. Check that wires to the switch are sufficiently connected. 2. Replace the 30 ° C temperature switch.
	The pressure switch inside the stove is broken.	Replace the pressure switch.
Orange flame, pellets piling up in firepot, carbon residue forming on glass.	Insufficient air for sufficient combustion.	1. Check that the air inlet vent in the front is open. 2. Check that the door and window gaskets are intact. 3. Check if the air inlet ducting and the combustion exhaust ducting are blocked. 4. Increase the cross sectional area of the ducting. 5. Increase the fan's speed to increase the rate of combustion. 6. Contact the manufacturer for assistance.

TROUBLESHOOTING CONTINUED

SYMPTOM	CAUSE	SOLUTION
The fire extinguishes and the power shuts off.	No fuel in Pellet Hopper.	Add Fuel to Pellet Hopper.
	Auger is blocked or jammed or disconnected.	<ol style="list-style-type: none"> 1. Unplug the unit so that it will not start suddenly and then unblock the auger. 2. Check that the auger is not blocked. If it is blocked, remove the cause of the jamming. 3. Check that the auger screw fastening the auger to the motor is secure.
	The feeding speed is too low to support the rate of combustion.	<ol style="list-style-type: none"> 1. Decrease the fan's speed to decrease the rate of combustion.
	The 30 ° C temperature switch has triggered.	<ol style="list-style-type: none"> 1. Check that wires to the switch are sufficiently connected. 2. Replace the 30 ° C temperature switch.
The fire extinguishes and the power shuts off (continued).	Requested temperature has been reached.	This is normal "ECO" mode behavior. The stove will automatically switch on once the ambient room temperature drops below the temperature that the stove is set to maintain.
The circulation blower continues to operate after the stove is cool and the fuel consumption has ceased.	The 30 ° C temperature switch has triggered.	<ol style="list-style-type: none"> 1. Check that wires to the switch are sufficiently connected. 2. Replace the 30 ° C temperature switch.
The stove is not circulating a sufficient volume of sufficiently hot air.	The fuel is inadequate.	Use pellet fuel specified by this manual.
	The circulating blower is set too slow or is compromised.	<ol style="list-style-type: none"> 1. If the blower is broken, change out the blower 2. If the mother board which connects to the blower is broken, change out the mother board.
	Heat exchange tubes or flue pass is dirty.	Clean the heat exchanger tubes or flue pass.

WIRING DIAGRAM

NOTE: IF ANY OF THE ORIGINAL WIRE AS SUPPLIED WITH THE APPLIANCE MUST BE REPLACED, IT MUST BE REPLACED WITH WIRING MATERIAL HAVING A TEMPERATURE RATING OF AT LEAST 105 C AND RATED FOR 600V



SERVICE PARTS MODEL N60WTS

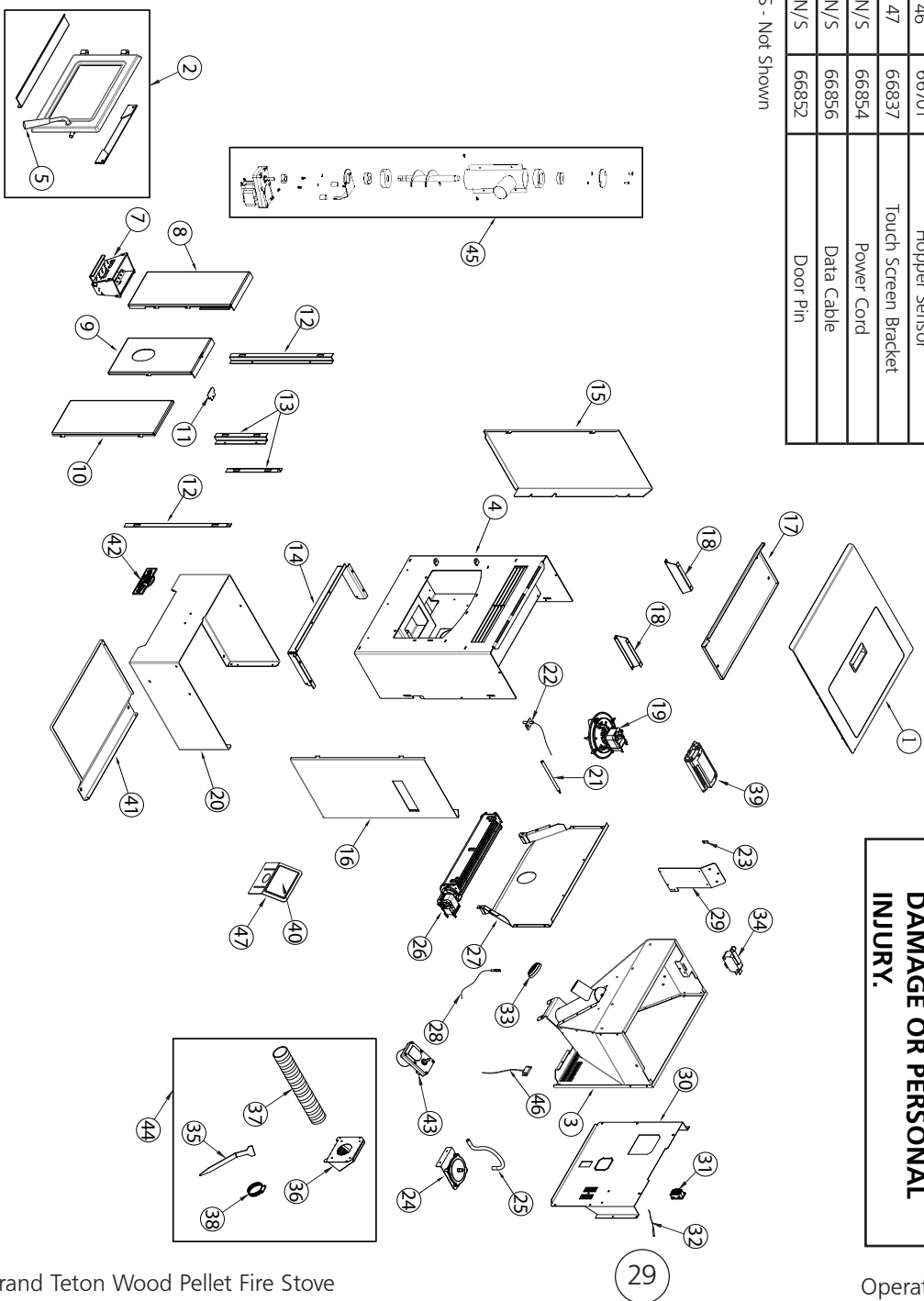
NO.	P/N	DESCRIPTION
1	66623	Top Cover
2	66624	Door Assembly
3	n/a	Hopper
4	n/a	Main Body
5	66603	Door Handle
7	66625	Fire Pot
8	66931	Flue Board-Left
9	66933	Flue Board-Middle
10	66932	Flue Board-Right
11	n/a	Upper Flue Plate
12	n/a	Flue Fixed Plate-Long
13	n/a	Flue Fixed Plate-Short
14	n/a	Pedestal Fixed Plate
15	66626	Left Side panel
16	66627	Right Side panel
17	n/a	Thermal Insulation Plate
18	n/a	Insulation Support Plate
19	66607	Combustion Blower
20	n/a	Pedestal Plate
21	66608	Igniter
22	66609	Exhaust Sensor
23	n/a	Grounding Screw
24	66628	Vacuum Switch
25	66629	Vacuum Switch Silicone Tube
26	66630	Circulation Blower
27	n/a	Chamber Insulation Cover
28	66613	Hopper Safety Sensor
29	n/a	Motherboard Fixed Plate
30	66631	Rear Cover
31	66615	Power Socket
32	66616	Room Sensor
33	66622	Silicone Rubber Sealing Ring
34	66617	Hopper Lid Switch
35	66855	Cleaning Tool (see # 44)
36	n/a	Fresh Air Intake Vent (see # 45)

NO.	P/N	DESCRIPTION
37	n/a	Aluminum Expansion Tube (see # 45)
38	n/a	Clamp (see # 45)
39	66661	Motherboard
40	66702	Touch Screen
41	n/a	Inner Pedestal Plate
42	n/a	Nameplate
43	66621	Auger Motor
44	66659	Accessory Kit
45	66660	Auger Assembly
46	66701	Hopper Sensor
47	66837	Touch Screen Bracket
	N/S	Power Cord
	N/S	Data Cable
	N/S	Door Pin

N/S - Not Shown

NOTE: NOT ALL PARTS AVAILABLE. FOR QUESTIONS CONTACT MANUFACTURER.

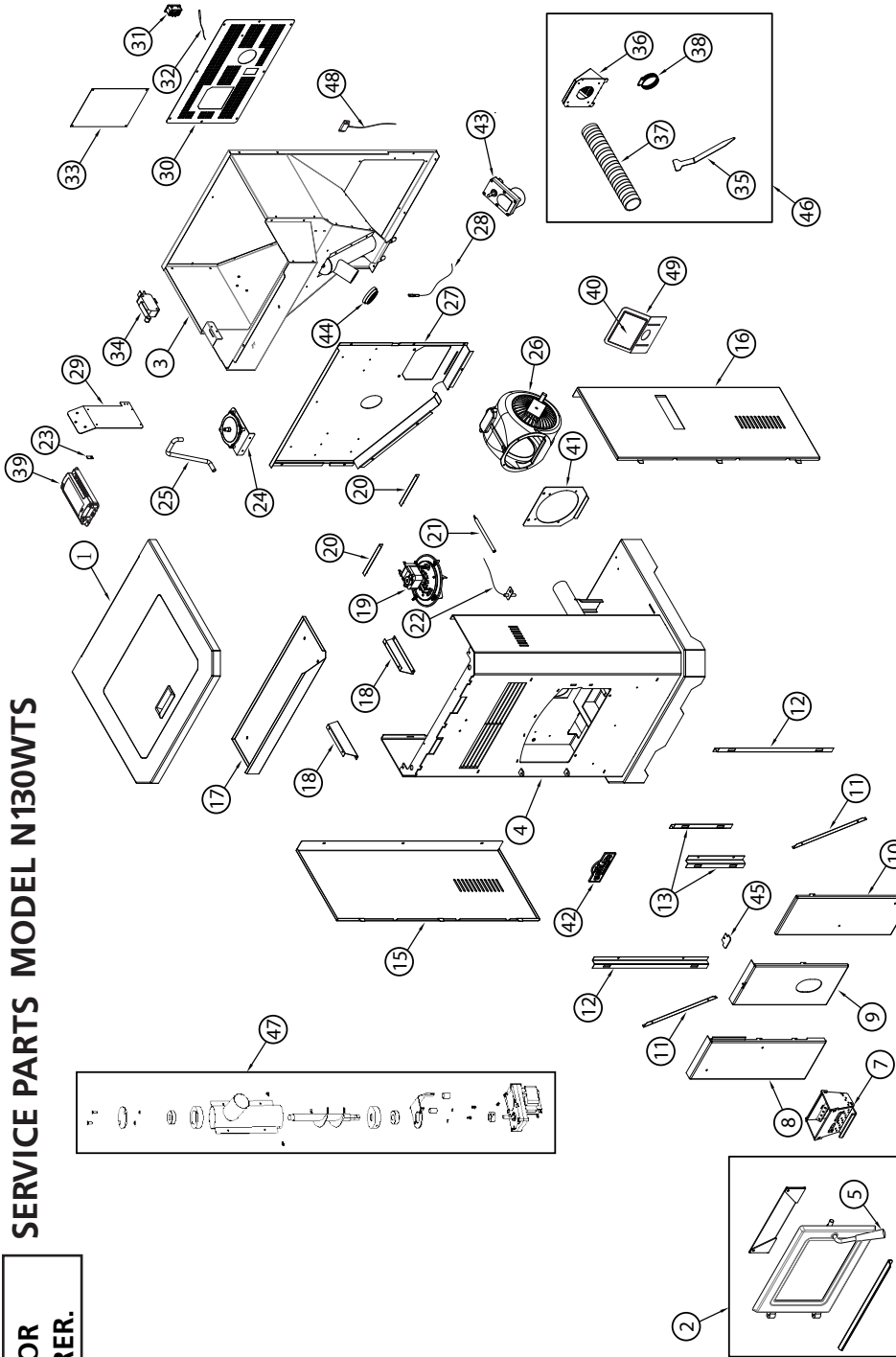
⚠ WARNING: FAILURE TO POSITION THE PARTS IN ACCORDANCE WITH THESE DIAGRAMS OR FAILURE TO USE ONLY PARTS SPECIFICALLY APPROVED WITH THIS STOVE MAY RESULT IN PROPERTY DAMAGE OR PERSONAL INJURY.



NOTE: NOT ALL PARTS AVAILABLE. FOR QUESTIONS CONTACT MANUFACTURER.

WARNING: FAILURE TO POSITION THE PARTS IN ACCORDANCE WITH THESE DIAGRAMS OR FAILURE TO USE ONLY PARTS SPECIFICALLY APPROVED WITH THIS STOVE MAY RESULT IN PROPERTY DAMAGE OR PERSONAL INJURY.

SERVICE PARTS MODEL N130WTS



NO.	P/N	DESCRIPTION
1	66601	Top Cover
2	66602	Door Assembly
3	n/a	Hopper
4	n/a	Main Body
5	66603	Door Handle
7	66604	Fire Pot
8	66931	Flue Plate-Left
9	66862	Flue Plate-Middle
10	66932	Flue Plate-Right
11	n/a	Flue Plate Reinforcement
12	n/a	Flue Fixed Plate-Long
13	n/a	Flue Fixed Plate-Short
15	66605	Left Side Panel
16	66606	Right Side Panel
17	n/a	Thermal Insulation Board
18	n/a	Insulation Support Plate
19	66607	Combustion Blower
20	n/a	Reinforcing Plate
21	66608	Igniter
22	66609	Exhaust Sensor
23	n/a	Ground Screw
24	66610	Vacuum Switch
25	66611	Silicone Tube
26	66612	Circulation Blower
27	n/a	Chamber Insulation Cover
28	66613	Hopper Safety Sensor

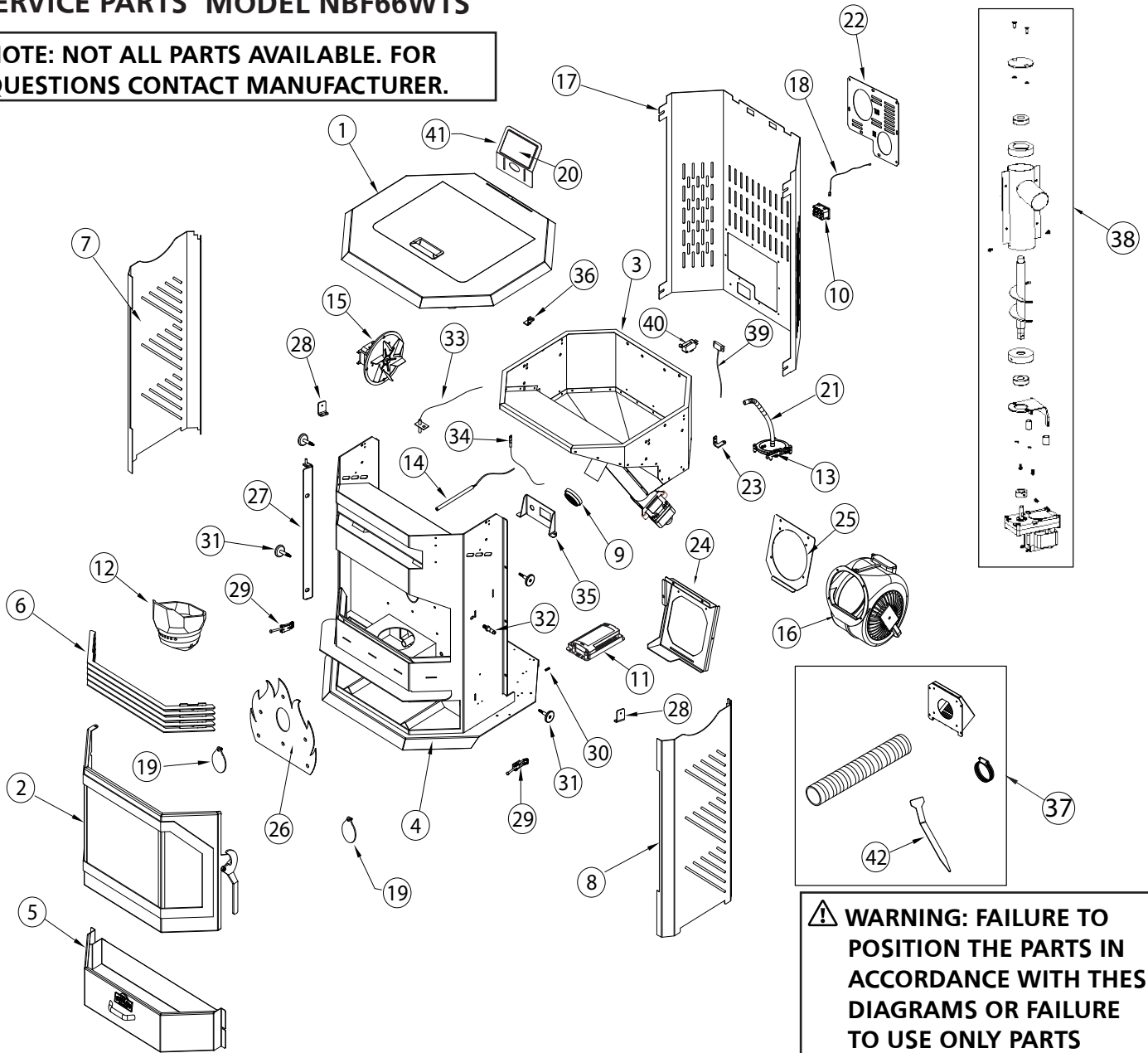
NO.	P/N	DESCRIPTION
29	n/a	Motherboard Fixed Plate
30	66614	Rear Cover
31	66615	Power Socket
32	66616	Room Sensor
33	n/a	Rating Label
34	66617	Hopper Lid Switch
35	66855	Cleaning Tool (see # 46)
36	n/a	Fresh Air Intake Vent (see # 47)
37	n/a	Aluminum Expansion Tube (see # 47)
38	n/a	Clamp (see # 47)
39	66662	Motherboard
40	66702	Touch Screen

NO.	P/N	DESCRIPTION
41	66620	Blower Fixed Plate
42	n/a	Nameplate
43	66621	Auger Motor
44	66622	Silicone Rubber Sealing Ring
45	n/a	Upper Flue Plate
46	66659	Accessory Kit
47	66660	Auger Assembly
48	66701	Hopper Sensor
49	66837	Touch Screen Bracket
N/S	66854	Power Cord
N/S	66856	Data Cable
N/S	66852	Door Pin

N/S - Not Shown

SERVICE PARTS MODEL NBF66WTS

NOTE: NOT ALL PARTS AVAILABLE. FOR QUESTIONS CONTACT MANUFACTURER.



NO.	P/N	DESCRIPTION
1	66632	Top Cover
2	66633	Door
3	n/a	Hopper
4	n/a	Main Body
5	66634	Ash Pan
6	n/a	Decorative Plate
7	66635	Left Side Panel
8	66636	Right Side Panel
9	66622	Silicone Rubber Sealing Ring
10	66615	Power Socket
11	66663	Motherboard
12	66638	Fire Pot
13	66639	Vacuum Switch
14	66640	Igniter
15	66641	Combustion Blower
16	66612	Circulation Blower
17	66642	Rear Cover

NO.	P/N	DESCRIPTION
18	66643	Room Sensor
19	n/a	Flue Sealing Plate
20	66702	Touch Screen
21	66645	Pressure Device Silicone Tube
22	66646	Rear Sealing Plate
23	66647	Right Side Panel Hinge
24	66648	Blower Bracket
25	66620	Blower Fixed Plate
26	n/a	Fireproof Plate
27	66649	Door Hinge
28	66650	Rear Cover Fixed Plate
29	66651	Ash Pan Lock Parts
30	n/a	Ground Screw
31	66652	Magnet
32	66653	Door, Latch
33	66654	Exhaust Sensor
34	66655	Hopper Safety Sensor

⚠ WARNING: FAILURE TO POSITION THE PARTS IN ACCORDANCE WITH THESE DIAGRAMS OR FAILURE TO USE ONLY PARTS SPECIFICALLY APPROVED WITH THIS STOVE MAY RESULT IN PROPERTY DAMAGE OR PERSONAL INJURY.

NO.	P/N	DESCRIPTION
35	66656	Socket Fixed Plate
36	66657	Left Side Panel Hinge
37	66659	Accessory Kit
38	66660	Auger Assembly
39	66701	Hopper Sensor
40	66617	Hopper Lid Switch
41	66837	Touch Screen Bracket
42	66855	Cleaning Tool (See # 37)
N/S	66854	Power Cord
N/S	66856	Data Cable
N/S	66859	Door Pin

N/S - Not Shown



OPERATING INSTRUCTIONS AND OWNER'S MANUAL

Model #
N60WTS
N130WTS
NBF66WTS

READ INSTRUCTIONS CAREFULLY: Please read this entire manual before installation and use of this pellet fuel-burning room heater. Failure to follow these instructions could result in property damage, bodily injury or even death. Do not allow anyone who has not read these instructions to assemble, light, adjust or operate the stove. Place instructions in a safe place for future reference.



WARNING:

USE ONLY MANUFACTURER'S REPLACEMENT PARTS. USE OF ANY OTHER PARTS COULD CAUSE INJURY OR DEATH. REPLACEMENT PARTS ARE ONLY AVAILABLE DIRECT FROM THE FACTORY AND MUST BE INSTALLED BY A QUALIFIED SERVICE AGENCY.

PARTS ORDERING INFORMATION:

PURCHASING: ACCESSORIES MAY BE PURCHASED AT ANY GRAND TETON LOCAL DEALER OR DIRECT FROM THE FACTORY

FOR INFORMATION REGARDING SERVICE:

Please call Toll-Free 1-866-740-2497/1-800-251-0001 • Weekends/After Hours 423-488-6316 • grandtetoncollection.com

Our office hours are 8:00 AM – 5:00 PM, EST, Monday through Friday.

Please include the model number, date of purchase, and description of problem in all communication.

LIMITED WARRANTY:

Enerco Group, Inc. (EGI) warrants Grand Teton Wood Pellet Fire Stoves to be free from imperfections in workmanship or material, at the date of manufacture. After installation, If covered components are found to be defective in workmanship or material during the applicable warranty period then the company, at its option, will repair or replace products returned by the buyer to the factory, transportation prepaid within applicable warranty period and found by the company to have imperfections in material or workmanship. The warranty period of the covered components is defined in the table below:

Components Covered	Warranty Period (Parts only, Labor not included)
Electrical	1 years
Steel parts (excluding fire pot)	5 years

If a part is damaged or missing, call our Technical Support Department at 1-866-740-2497/1-800-251-0001.

Address any Warranty Claims to the Service Department, Enerco Group, Inc., 4560 W. 160TH ST., CLEVELAND, OHIO 44135. Include your name, address and telephone number, the model and serial number of your product, and include details concerning the claim. Also, supply us with the purchase date and the name and address of the dealer from whom you purchased our product.

The foregoing is the full extent of the responsibility of the Company. There are no other warranties, express or implied. Specifically there is no warranty of fitness for a particular purpose and there is no warranty of merchantability. In no event shall the Company be liable for delay caused by imperfections, for consequential damages, or for any charges of the expense of any nature incurred without its written consent. The cost of repair or replacement shall be the exclusive remedy for any breach of warranty. There is no warranty against infringement of the like and no implied warranty arising from course of dealing or usage of trade. This warranty will not apply to any product which has been repaired or altered outside of the factory in any respect which in our judgment affects its condition or operation. This warranty does not cover damage or breakage due to misuse, abuse or modifications. There is no warranty on any paint, glass, gasket or fire brick. There is no warranty on the fire pot. There is no warranty against damage caused by corrosion.

Some states do not allow the exclusion or limitation of incidental or consequential damages, so the above limitation or exclusion may not apply to you. This Warranty gives you specific legal rights, and you may have other rights which vary from state to state.

Enerco Group, Inc. reserves the right to make changes at any time, without notice or obligation, in colors, specifications, accessories, materials and models.

Enerco Group, Inc., 4560 W. 160TH ST., CLEVELAND, OHIO 44135 • 1-866-740-2497/1-800-251-0001
© 2024, Mr. Heater. All rights reserved



Report Number : F23-240
ASTM E1509-22
CAN/ULC-S627:2023

US Patent Pending

INSTALLATEUR : Laisser le présent guide avec l'appareil

CONSOMMATEUR : Sauvegarder les présentes instructions pour référence future.



GUIDE DU PROPRIÉTAIRE ET INSTRUCTIONS D'UTILISATION

N° de modèle
N60WTS
N130WTS
NBF66WTS

LIRE LES INSTRUCTIONS ATTENTIVEMENT : Veuillez lire le présent manuel au complet avant d'installer et d'utiliser ce poêle à grenailles de bois. Ne pas suivre les directives comprises pourrait résulter en des dommages matériels ou des blessures graves, voire la mort. Ne pas laisser quiconque qui n'a pas lu les instructions du présent manuel assembler, allumer, régler ou faire fonctionner le poêle. Remiser ce manuel dans un endroit sûr pour référence ultérieure.

POÊLE À GRENAILLES DE BOIS



Gros Ventre



Elk Ridge



Teewinot



GTC Smart Stove App



POUR DÉTERMINER VOTRE BESOIN DE PERMIS, CONSULTEZ LES AUTORITÉS AYANT JURIDICTIONS DANS VOTRE LOCALITÉ (AUTORITÉS DE PRÉVENTION DES INCENDIES, SERVICE DE LA CONSTRUCTION MUNICIPAL, ETC.). RESPECTEZ TOUS LES CODES DE LA CONSTRUCTIONS LOCAUX.

Mr. Heater une filiale de Enerco Group Inc.

4560 West 160th st Cleveland, Ohio 44135 1-866-740-2497/1-800-251-0001

66904 REV E

AVERTISSEMENTS GÉNÉRAUX DE DANGERS :

- ⚠ NE PAS SE CONFORMER AUX PRÉCAUTIONS ET INSTRUCTIONS FOURNIES PEUT RÉSULTER EN UN DÉCÈS DE PERSONNE OU DES BLESSURES GRAVES ET DES DOMMAGES MATÉRIELS RÉSULTANT DES DANGERS D'INCENDIE, DE DÉFLAGRATION, DE BRÛLURE, D'ASPHYXIATION D'EMPOISONNEMENT AU MONOXYDE DE CARBONE ET/OU DE CHOC ÉLECTRIQUE.
- ⚠ SEULES LES PERSONNES POUVANT COMPRENDRE ET SUIVRE LES INSTRUCTIONS DEVRAIENT UTILISER OU ENTREtenir CE POÊLE.
- ⚠ POUR TOUTE ASSISTANCE, RENSEIGNEMENT OU POUR UN EXEMPLAIRE DU MANUEL D'INSTRUCTION, OU D'ÉTIQUETTES DE REMPLACEMENT, VEUILLEZ COMMUNIQUER AVEC LE FABRICANT.

AVERTISSEMENT :

- ⚠ DANGER D'INCENDIE, DE BRÛLURE, D'ÉMANATIONS ET DE DÉFLAGRATION. GARDER LES MATIÈRES COMBUSTIBLES SOLIDES TEL LES MATÉRIAUX DE CONSTRUCTION, LE CARTON OU LE PAPIER À UNE DISTANCE SÉCURITAIRE DU POÊLE SELON LES RECOMMANDATIONS DU MANUEL, NE JAMAIS UTILISER LE POÊLE DANS UN LIEU AYANT OU QUI A POSSIBILITÉ D'AVOIR DES MATIÈRES VOLATILES EN SUSPENSION DANS L'AIR OU DES PRODUITS COMME L'ESSENCE, DES SOLVANTS, DES DILUANTS À PEINTURE, DE LA POUSSIÈRE OU DES PRODUITS CHIMIQUES INCONNUS.

- ⚠ **AVERTISSEMENT :** Ce produit peut vous exposer à des produits chimiques incluant le plomb et des composés du plomb, reconnus par l'État de la Californie causer le cancer et des défauts congénitaux ou d'autres sévices du système reproducteur. Pour plus d'information visitez www.P65Warnings.ca.gov

Table des matières

SPÉCIFICATIONS.....	3
COMMENCER.....	4
PRÉCAUTIONS DE SÉCURITÉ.....	5
DISTANCES DE DÉGAGEMENT DES MATÉRIAUX COMBUSTIBLES.....	6
DÉBALLAGE ET ASSEMBLAGE.....	7
INSTALLATION.....	8
EXIGENCES SUPPLÉMENTAIRES POUR LES MAISONS MOBILES.....	12
FONCTIONNEMENT.....	14
CONNEXION WI-FI « SMART STOVE ».....	16
COMMANDES WI-FI.....	17
COMMANDES MULTIFONCTIONS.....	18
ENTRETIEN.....	19
SCHÉMA DE CÂBLAGE.....	30
PIÈCES DE SERVICE.....	31

INFORMATIONS ÉMISES À LA FCC

MISE EN GARDE: Tout changement ou modification qui ne serait pas approuvé expressément par la partie responsable de sa conformité peut causer l'annulation de l'autorité de l'utilisateur de faire fonctionner cet équipement.

REMARQUE: Cet appareil a été testé et a été déterminé comme conforme aux limites d'un appareil numérique de Classe B, conformément à la Section 15 des réglementations FCC. Ces limites sont conçues pour offrir une protection raisonnable contre une interférence nuisible dans une installation résidentielle. Cet appareil génère, et peut irradier de l'énergie en radiofréquence et, s'il n'est pas installé et utilisé en conformité avec ces instructions, il peut causer une interférence nuisible aux communications radio. Toutefois, il n'est pas garanti qu'une telle interférence ne puisse survenir dans une installation particulière. Si l'appareil cause une interférence nuisible à la réception radio ou télévisuelle, ce qui peut être déterminé en mettant en marche l'appareil puis en l'éteignant, l'utilisateur est encouragé à tenter de corriger cette interférence par une ou l'autre des mesures suivantes:

- Réorienter ou relocaliser l'antenne réceptrice.
- Augmenter la distance de séparation entre l'appareil et le récepteur.
- Connecter l'appareil dans une prise de courant qui se trouve sur un circuit différent de celui dans lequel le récepteur est connecté.
- Consulter le détaillant ou un technicien expérimenté en radio/télé pour de l'aide.

Le présent manuel décrit la procédure d'installation et de fonctionnement des poêles à grenailles de bois Grand Teton. Votre poêle est conforme aux limites d'émission de l'EPA (Environmental Protection Agency) des États-Unis pour les poêles à grenailles fabriqués après l'année 2020. Sous des conditions d'essai précises, il a été déterminé que ces poêles produisent une sortie de chaleur entre :

N60WTS : 10 771 et 30 124 Btu/h

N130WTS : 12 746 à 29 501 Btu/h

NBF66WTS : 11 624 à 30 173 Btu/h

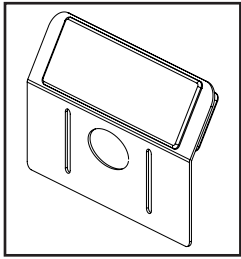
SPÉCIFICATIONS

N° de modèle	N60WTS	N130WTS	NBF66WTS
DIMENSIONS			
Poids du poêle [kg (lb)]	88 (194)	105 (231)	117 (258)
Dimensions du poêle prof.x larg.x haut. [cm (po)]	55,2 x 56 x 84 (21,7 x 22 x 33,1)	66,2 x 58,2 x 92,8 (26,1 x 22,9 x 36,5)	66,5 x 61 x 77,3 (26,2 x 24 x 30,4)
Diamètre du tuyau d'entrée d'air [mm (po)]	50 (2)	50 (2)	50 (2)
Diamètre du tuyau de sortie d'air [mm (po)]	76 (3)	76 (3)	76 (3)
Capacité de la trémie de gre- nailles [kg (lb)]	27,2 (60)	59,0 (130)	29,9 (66)
SPÉCIFICATIONS DE FONCTIONNEMENT			
Carburant	Grenailles de bois	Grenailles de bois	Grenailles de bois
Chauffe approximativement ** [m ² (pi ²)]	139 - 204 (1500 - 2200)	186 - 279 (2000 - 3000)	167 - 232 (1800 - 2500)
Monoxyde de carbone produit (g/min)	Sur réglage élevé : 0,32 Sur réglage bas : 0,18	Sur réglage élevé : 0,20 Sur réglage bas : 0,36	Sur réglage élevé : 0,11 Sur réglage bas : 0,21
Taux de consommation de grenailles sur réglage bas [kg/h (lb/h)]	0,72 - Sec (1,59)	0,90 - Sec (1,98)	0,79 - Sec (1,74)
Taux de consommation de grenailles sur réglage moyen [kg/h (lb/h)]	0,92 - Sec (2,03)	1,28 - Sec (2,82)	1,07 - Sec (2,36)
Taux de consommation de grenailles sur réglage élevé [kg/h (lb/h)]	1,98 - Sec (4,37)	2,19 - Sec (4,83)	2,12 - Sec (4,67)
Rendement du poêle	84%	77%	80%
Taux de sortie de chaleur bas [BTU/ HR (kW)]	10,771 (3,16)	12,746 (3,74)	11,624 (3,41)
Taux de sortie de chaleur moyen [BTU/HR (kW)]	13,910 (4,08)	18,088 (5,30)	15,511 (4,55)
Taux de sortie de chaleur élevé [BTU/HR (kW)]	30,124 (8,83)	29,501 (8,65)	30,173 (8,84)
SPÉCIFICATIONS ÉLECTRIQUES			
Exigences d'alimentation électrique (Tension/Fréquence/Phase)	120 V / 60 Hz / 1	120 V / 60 Hz / 1	120 V / 60 Hz / 1
Courant électrique durant la phase d'allumage (Ampères)	3,3	3,3	3,3
Vitesse de rotation du moteur de la tarière (t/min)	2,4	2,4	2,4

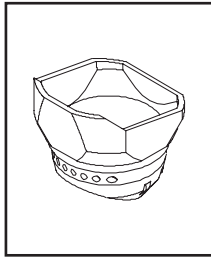
* L'énergie (BTU) de sortie variera selon la marque du combustible utilisé.

** Selon degré d'isolation de la pièce et la zone climatique. Les différences de climat et la localisation affectent les attributs comme le rendement du poêle et la production de monoxyde e carbone.

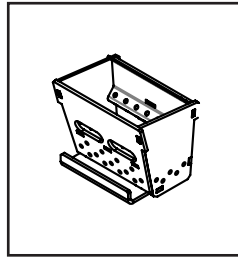
COMMENCER



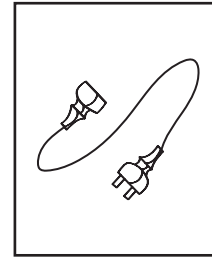
Panneau d'affichage



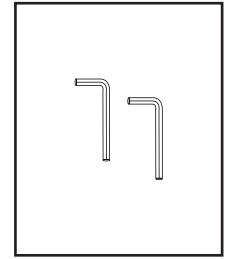
Pot de feu
(NBF66WTS)



Pot de feu (N60WTS &
N130WTS)

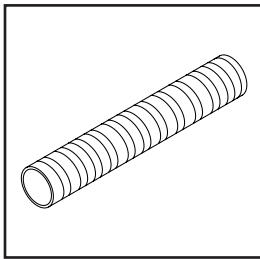


Cordon
d'alimentation
électrique

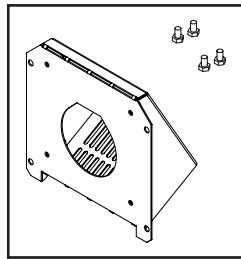


Clés Allen (x2)

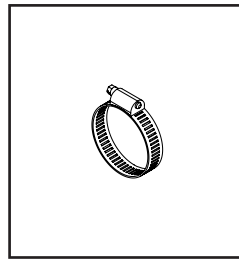
KIT D'ACCESSOIRES



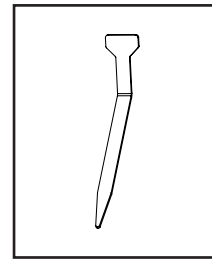
Tuyau flexible



Limite de
terminaison et
Des vis (x4)



Collier de serrage



Outil de nettoyage

CE DONT VOUS AVEZ BESOIN (NON FOURNIS) OUTILS REQUIS

- Ruban à mesurer
- Tournevis Phillips (manuel ou électrique).
- Localisateur de montants
- Fil à plomb
- Scie sauteuse
- Silicone haute température ou scellant haute température ou ruban de conduit de fumée haute température
- Protection de plancher (voir SUPERFICIE DE PLANCHER et MATÉRIAUX DE REVÊTEMENT DE SOL à la page 6)
- Tuyau d'évent de 80 mm (3 po) de diamètre de type « L » ou « PL » portant les sceaux d'enregistrement UL 641, ULC S609 (Norme « Standard for 650 C Factory-Built Chimneys »), ou ULC/ORD C441. Installer selon les instructions du fabricant de cheminée (voir page 9)

ÉQUIPEMENT DE SÉCURITÉ (RECOMMANDÉ)

- Lunettes de sécurité
- Gants
- Chaussures fermées
- Un assistant (le poêle est lourd, ne tentez pas de le déplacer par vous-même).

⚠️ AVERTISSEMENT

- **DANGER D'INGESTION** : Ce produit contient une pile bouton ou une pile mince.
- **UN DÉCÈS** ou des blessures graves peuvent survenir en cas d'ingestion.
- Si avalée, une pile bouton ou une pile mince peut causer des **brûlures chimiques internes** en aussi peu de temps que **2 heures**.
- **GARDER** les piles neuves et épuisées **HORS DE PORTÉE DES ENFANTS**
- **Consulter immédiatement un professionnel de la santé** si vous suspectez qu'une pile a été avalée ou insérée à l'intérieur d'une partie du corps.



INFORMATIONS SUR LA PILE

- Appeler un centre antipoison local pour déterminer les informations de traitement.
- Retirer et disposer immédiatement les piles épuisées conformément aux réglementations locales, et les garder éloignées des enfants. NE PAS disposer les piles dans une poubelle résidentielle, et ne pas les incinérer. Même une pile épuisée peut causer des blessures graves ou un décès.
- Les piles non-rechargeables ne doivent pas être rechargées. Il ne faut pas forcer la décharge, la recharge, il ne faut démonter, ni chauffer à une température supérieure (à la température spécifiée par le fabricant) ni l'incinérer. Cela pourrait causer des blessures en raison de l'évacuation, d'un coulage ou de l'explosion pouvant causer des brûlures chimiques.
- S'assurer que les piles soient installées correctement avec la bonne polarité (+ et -). Ne pas mélanger des piles anciennes avec des piles neuves, ou encore des marques ou des types différents de piles ensemble, comme des piles alcalines, carbone-zinc, ou rechargeables. Retirer et recycler ou jeter immédiatement les piles de l'équipement qui ne sera pas utilisé pendant une longue période de temps, conformément aux réglementations locales.

PRÉCAUTIONS DE SÉCURITÉ

ÉTABLISSEZ UNE RÉACTION DE SURVIE EN CAS D'INCENDIE. COMMUNIQUEZ AVEC LE SERVICE D'INCENDIE LOCAL POUR OBTENIR DES RENSEIGNEMENTS ET UNE PROCÉDURE D'ACTION À PRENDRE EN CAS DE FEU DE CHEMINÉE.

⚠️ AVERTISSEMENT : NE PAS LOCALISER DANS LES CHAMBRES À COUCHER.

⚠️ ATTENTION : MANIPULER LE POÊLE AVEC SOIN. ÉVITER DE LE SOUMETTRE À DES CHOCS OU DE L'ÉGRATIGNER ET DE FERMER BRUSQUEMENT LES PORTES VITRÉES. NE PAS FAIRE FONCTIONNER AVEC UNE OU DES VITRES ÉGRATIGNÉES, FISSURÉES OU BRISÉES.

⚠️ AVERTISSEMENT : BRÛLANT DURANT LE FONCTIONNEMENT. GARDER LES ENFANTS, LES VÊTEMENTS ET L'AMEUBLEMENT ÉLOIGNÉS. LE CONTACT POURRAIT CAUSER DES BRÛLURES.

⚠️ AVERTISSEMENT : NE JAMAIS LAISSER D'ENFANT SANS SURVEILLANCE DANS UNE PIÈCE COMPRENANT UN POÊLE EN FONCTIONNEMENT.

⚠️ AVERTISSEMENT : NE PAS CHAUFFER À BLOC. CHAUFFER LE POÊLE DE FAÇON EXCESSIVE POURRAIT CAUSER UN INCENDIE. SI L'UNITÉ OU LE RACCORD DE CHEMINÉE ROUGIT C'EST QUE LE POÊLE EST CHAUFFÉ DE FAÇON EXCESSIVE.

⚠️ AVERTISSEMENT : CE POÊLE À BOIS A UN TAUX D'ALIMENTATION MINIMUM RÉGLÉ PAR LE FABRICANT QUI NE DOIT PAS ÊTRE MODIFIÉ. IL EST CONTRAIRE À LA RÉGLEMENTATION FÉDÉRALE DE RÉGLER OU DE FAIRE FONCTIONNER CE POÊLE DE FAÇON NON CONFORME AUX INSTRUCTIONS DE FONCTIONNEMENT COMPRIS DANS CE GUIDE DU PROPRIÉTAIRE.

MONOXYDE DE CARBONE

AVERTISSEMENT :

⚠ SI UTILISÉ SANS COMBUSTIBLE ET AÉRATION ADÉQUATS, CE POÊLE PEUT PRODUIRE UN EXCÈS DE MONOXYDE DE CARBONE, UN GAZ MORTEL SANS ODEUR.

AVERTISSEMENT :

⚠ DES SIGNES AVANT-COUREURS D'EMPOISONNEMENT AU MONOXYDE DE CARBONE SONT UNE RESSEMBLANCE AUX SYMPTÔMES DE LA GRIPPE AVEC CÉPHALÉES, ÉTOURDISSEMENTS ET/OU NAUSÉES. SI VOUS SOUFFREZ DE CES SYMPTÔMES, LE POÊLE POURRAIT EN ÊTRE LA CAUSE EN RAISON DE MAUVAIS FONCTIONNEMENT. OBTENEZ DE L'AIR FRAIS À RESPIRER SUR LE CHAMP! FAITES UN ENTRETIEN DU POÊLE.

CERTAINES PERSONNES - FEMMES ENCEINTES, PERSONNES SOUFFRANT DE PROBLÈMES CARDIAQUES OU DE MALADIES, D'ANÉMIE, CELLES EN ÉTAT D'ÉBRIÉTÉ OU PERSONNES SE TROUVANT EN RÉGION MONTAGNEUSE TRÈS ÉLEVÉE - SONT PLUS SUJETTES À ÊTRE AFFECTÉES PAR LE MONOXYDE DE CARBONE QUE LES AUTRES PERSONNES.

Peu importe le niveau de sécurité intrinsèque de ce poêle, tous les appareils consommant un carburant créent du monoxyde de carbone. Il est toujours bon de prévenir autant que possible les dangers pouvant vous affecter ainsi que votre entourage en installant un détecteur de monoxyde de carbone. Il est recommandé d'installer un détecteur dans les aires susceptibles de générer du monoxyde de carbone comme là où se trouve un poêle ou l'aire d'entreposage des grenailles ou bien les hangars chauffés par système hydronique. Suivez les instructions de montage, de fonctionnement et d'entretien fournies par le fabricant de votre détecteur.

DÉTECTEURS DE FUMÉE

Installez au moins 1 détecteur de fumée à chaque niveau de votre demeure. Suivez les instructions de montage, de fonctionnement et d'entretien fournies par le fabricant de votre détecteur. Évitez les fausses alarmes en plaçant le détecteur hors de l'emplacement immédiat du poêle. Généralement, un bon endroit pour installer les détecteurs de fumée est près des chambres à coucher.

POUR PLUS D'INFORMATION DE SÉCURITÉ

Pour des renseignements supplémentaires concernant la sécurité de fonctionnement des poêles à grenailles de bois, communiquez avec la NFPA (National Fire Protection Association), par la poste, à :

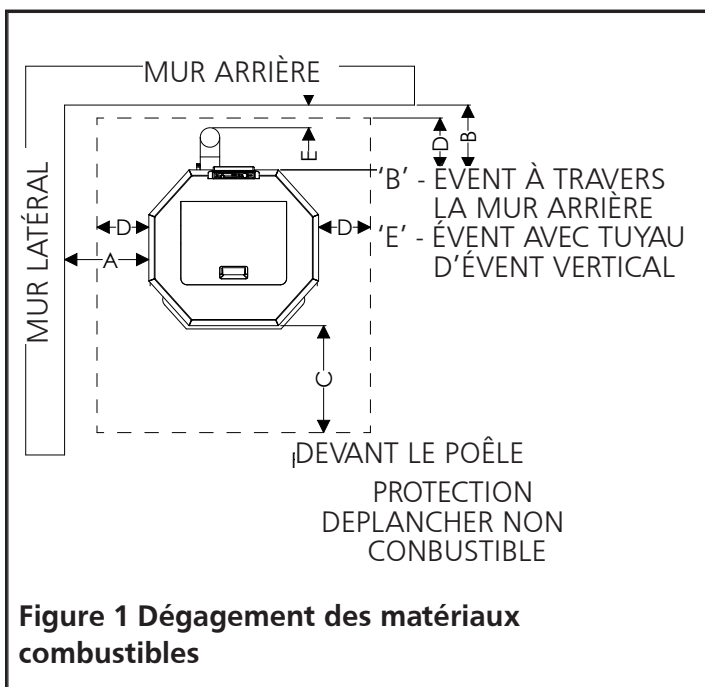
NFPA, Batterymarch Park, Quincy, MA 02269, U.S.A.

ou visitez le site Web de la NFPA :

<https://www.nfpa.org/>

DISTANCES DE DÉGAGEMENT DES MATÉRIEAUX COMBUSTIBLES

Les distances de dégagement indiquées ci-dessous représentent les dégagements minimum entre le poêle et tout autre objet. Aucun objet ne devrait se trouver dans cet espace. Ceux-ci comprennent, sans s'y limiter, les tapis, meubles, enfants, animaux domestiques, vêtements, carburant ou tout autre objet. Ces distances ne pourront seulement être réduites que par les autorités ayant juridiction.



	ÉTATS-UNIS	CANADA
A	330 mm (13 po)	330 mm (13 po)
B	51 mm (2 po)	51 mm (2 po)
C	457 mm (18 po)	457 mm (18 po)
D	203 mm (8 po)	203 mm (8 po)
E	76 mm (3 po)	76 mm (3 po)

SUPERFICIE DE PLANCHER ET DÉGAGEMENTS

Lorsqu'installé sur un plancher combustible, une protection non combustible est requise pour :

- Couvrir l'aire sous le poêle en se prolongeant d'au moins 457 mm (18 po) sur le devant;
- Couvrir la surface sur les côtés du poêle sur au moins 203 mm (8 po);
- Couvrir l'aire sous le tuyau d'échappement en excédant cette aire par une couverture de 51 mm (2 po) sur les côtés.

De plus, le poêle à grenailles de bois devra être positionné de sorte :

- Qu'il y ait un dégagement minimum de 330 mm (13 po) de chaque côté de l'appareil.
- Qu'il y ait un dégagement minimum de 51 mm (2 po) à l'arrière de l'appareil.
- Que le tuyau d'échappement vertical soit dégagé d'au moins 76 mm (3 po) de tout mur.

Finalement, la pièce dans laquelle le poêle à grenailles de bois est installé devra avoir une hauteur de plafond d'au moins 2 134 mm (84 po)

MATÉRIAUX DE REVÊTEMENT DE SOL

La protection de plancher devra avoir toutes les caractéristiques suivantes :

- Enregistrement UL-1618

- Au moins 13 mm (0,5 po) d'épaisseur

- Faite de matériau non combustible

- Avoir soit :

Une valeur de résistance thermique R de $1,19 \frac{(\text{pi}^2)(\text{h})(^\circ\text{F})}{\text{Btu}}$

Une valeur de conductivité thermique k de $0,84 \frac{(\text{Btu})(\text{po})}{(\text{pi}^2)(\text{h})(^\circ\text{F})}$

Comme assistance pour évaluer l'acceptabilité de matériaux substitués, les équivalences de spécifications et exemples ci-dessous vous sont fournis.

Conductivité thermique k = $\frac{\text{épaisseur}}{R} \left(\frac{(\text{Btu})(\text{po})}{(\text{pi}^2)(\text{h})(^\circ\text{F})} \text{ ou } \frac{\text{W}}{(\text{m})(^\circ\text{K})} \right)$

Conductance thermique C = $\frac{1}{R} \left(\frac{(\text{Btu})}{(\text{pi}^2)(\text{h})(^\circ\text{F})} \text{ ou } \frac{\text{W}}{(\text{m}^2)(^\circ\text{K})} \right)$

Exemple : Requis pour protéger le plancher avec une valeur R de $1,19 \frac{(\text{pi}^2)(\text{h})(^\circ\text{F})}{\text{Btu}}$.

Évaluation du mérite de briques de 57 mm (2 po) d'épaisseur de conductivité thermique k de $4,16 \frac{(\text{Btu})(\text{po})}{(\text{pi}^2)(\text{h})(^\circ\text{F})}$

sur une couche de panneau minéralisé de 6,3 mm (po) ayant une valeur C de $2,3 \frac{(\text{Btu})}{(\text{pi}^2)(\text{h})(^\circ\text{F})}$.

Étape 1. Calculez la valeur R de chaque matériau du plancher

$$R_{\text{BRIQUE}} = \frac{\text{épaisseur}}{k} = \frac{2,25}{4,16} = 0,54$$

$$R_{\text{Panneau}} = \frac{1}{C} = \frac{1}{2,3} = 0,434$$

Étape 2. Ajoutez les valeurs R équivalentes pour chaque matériau du plancher

$$R_{\text{BRIQUE}} + R_{\text{Panneau}} = 0,54 + 0,434 = 0,974$$

Étape 3. Cette valeur R combinée est **insuffisante** donc plus de protection doit être installée. Par exemple, en plaçant deux couches de briques :

$$R_{\text{BRIQUE}} + R_{\text{BRIQUE}} + R_{\text{Panneau}} = 0,54 + 0,54 + 0,434 = 1,514$$

Étape 4. Puisque cette valeur R combinée est plus grande que la spécification requise, ce montage sera suffisant pour protéger le plancher sous le poêle.

DÉBALLAGE

1. Sortir le poêle du carton d'emballage.
2. Retirer tout le matériel protecteur placé sur le poêle pour l'expédition.
3. Inspecter le poêle pour détecter tout dommage d'expédition. Si des dommages sont détectés, appelez le fabricant sur le champ-au 1-866-740-2497/1-800-251-0001.

⚠ ATTENTION : TOUTE PIÈCE ENDOMMAGÉE POURRAIT COMPROMETTRE LE FONCTIONNEMENT SÉCURITAIRE.

- **NE PAS INSTALLER DES COMPOSANTS INCOMPLETS.**
- **NE PAS INSTALLER DES COMPOSANTS SUBSTITUÉS.**
- **NE PAS INSTALLER DES COMPOSANTS ENDOMMAGÉS.**

4. Pour assurer la sécurité de certaines pièces délicates, celles-ci sont emballées séparément. Veuillez les localiser, vraisemblablement à l'intérieur de l'appareil pour procéder à leur assemblage.

ASSEMBLAGE

Étape 1 - Panneau d'affichage

Insérer le panneau d'affichage à l'arrière du dessus du poêle. Assurez-vous de sa bonne orientation pour lecture à partir du devant du poêle. Fixez l'afficheur à l'aide des deux vis fournies.

Étape 2 - Câble d'alimentation de l'afficheur

Ce câble devrait être enroulé sous le couvercle du poêle. Insérez l'extrémité libre dans le dos du panneau d'affichage (voir figure 16 à la page 15). Ce câble devrait déjà être connecté à la carte d'alimentation du poêle. Vous pouvez vérifier cette connexion derrière la plaque d'accès à l'arrière du poêle.

Étape 3 - Cordon d'alimentation électrique

Le cordon d'alimentation se branche dans la prise à l'arrière du poêle. Après tout assemblage requis du panneau d'affichage, vous pouvez brancher votre poêle temporairement pour vous assurer du fonctionnement de l'afficheur avant de continuer l'installation. Après avoir confirmé le fonctionnement de l'afficheur, éteignez et débranchez le cordon électrique.

⚠ ATTENTION : NE PAS LAISSER LE POÊLE BRANCHÉ DANS LA PRISE ÉLECTRIQUE DURANT L'ASSEMBLAGE OU LE MONTAGE.

Étape 4 - Pot de combustion

En l'absence de toute alimentation électrique, le pot de combustion devrait être inséré adéquatement dans le poêle pour que l'allumeur puisse entrer en contact avec les grenailles. Voir figure 2 ou 3.

INSTALLATION

INFORMATION DE CONTACT

Pour toute question concernant les options de ventilation de votre poêle, veuillez contacter soit :

Le fabricant Mr. Heater Company à 1-866-740-2497/1-800-251-0001 • Fins de semaine/après les heures d'ouverture 423-488-6316 • grandtetoncollection.com. Nos heures de bureau sont de 8:00 h à 17:00 h, HNE, du lundi au vendredi..

NFPA (National Fire Protection Association) et demander un exemplaire de la dernière édition de la publication NFPA Standard 211. L'adresse postale de la NFPA est Batterymarch Park, Quincy, MA 02269 U.S.A.

⚠ AVERTISSEMENT : SI CE POËLE N'EST PAS BIEN INSTALLÉ, IL POURRAIT EN RÉSULTER UN INCENDIE DE DOMICILE. POUR MINIMISER LE DANGER D'INCENDIE, SUIVRE LES DIRECTIVES D'INSTALLATION. CONTACTER LES AUTORITÉS DU CODE DE LA CONSTRUCTION OU LE SERVICE D'INCENDIE POUR CONNAÎTRE LES RESTRICTIONS ET LES INSPECTIONS D'APPROBATION REQUISES DANS VOTRE RÉGION.

⚠ ATTENTION : TOUT ÉCART OU MODIFICATION DE CES DIRECTIVES POURRAIT RÉSULTER EN DES BLESSURES OU DES DOMMAGES AU POËLE, À LA CHEMINÉE ET À VOTRE DEMEURE. LA GARANTIE POURRAIT ÊTRE ANNULÉE. LIRE ET SUIVRE TOUTES LES INSTRUCTIONS. Pour toute préoccupation, question ou commentaire, communiquez avec Mr. Heater.

⚠ ATTENTION : CONTACTER LES AUTORITÉS DU CODE DE LA CONSTRUCTION OU LE SERVICE D'INCENDIE POUR CONNAÎTRE LES RESTRICTIONS ET LES INSPECTIONS D'APPROBATION REQUISES DANS VOTRE RÉGION.

PLANIFICATION

Assurez-vous que vous avez sélectionné le bon poêle pour vos besoins en consultant le tableau de spécifications à la page 3.

Prenez les mesures de vos quartiers et planifiez votre système de cheminée selon les instructions détaillées ci-dessous.

Ce poêle à grenailles peut être installé dans une maison mobile. En plus des instructions ci-dessous, passez en revue et respectez les exigences obligatoires à la page 12.

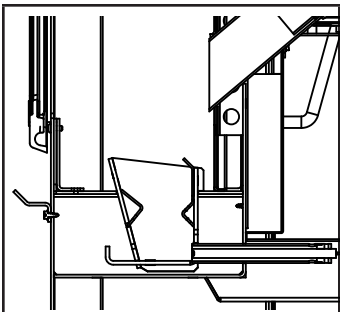


Figure 2 Pot de combustion N60WTS et N130WTS

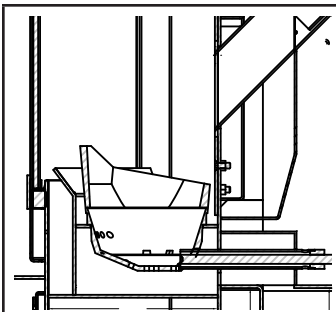
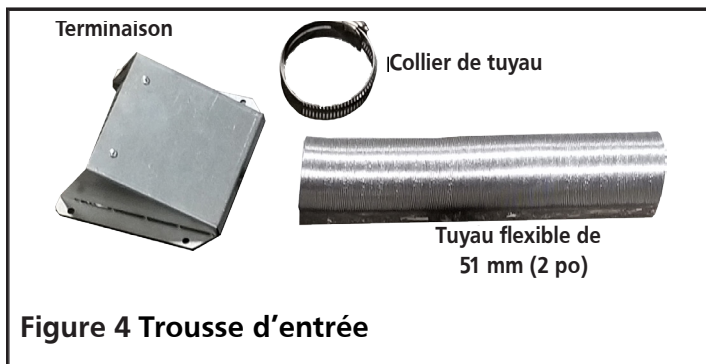


Figure 3 Pot de combustion NBF66WTS

Une trousse de nettoyage est également emballée, ce qui facilitera le nettoyage de débris des perforations du pot.

Étape 5 - Trousse d'entrée d'air

Localisez la trousse d'entrée d'air expédiée avec le poêle. Voir Figure 4. Mesurez votre pièce et planifiez l'installation de l'évent horizontal pouvant être requis selon les recommandations indiquées dans EXIGENCES D'AIR FRAIS ET D'AÉRATION on page 8. Respectez toutes les exigences d'aération et suivez les directives indiquées dans INSTALLATION on page 8.



Assemblage supplémentaire N60WTS, N130WTS

- Poignée de porte : ouvrez la porte et vissez l'emprise plastifiée dans les filets de la poignée.

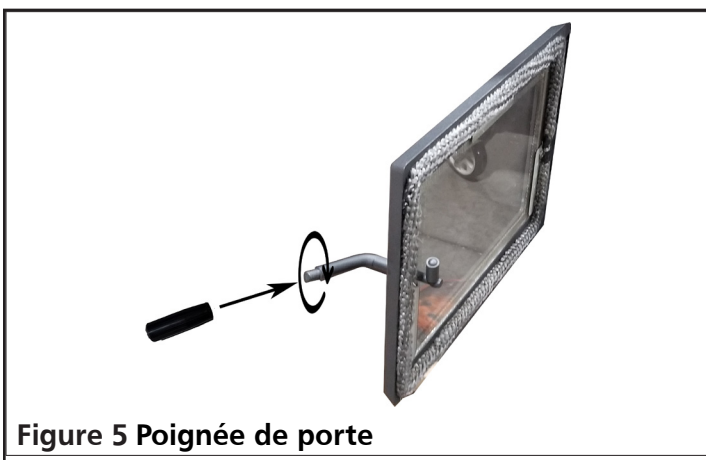


Figure 5 Poignée de porte

CONSIDÉRATIONS ÉLECTRIQUES

Une prise électrique devra être disponible à environ 2 m (6,5 pi) sur le mur derrière le poêle. Placer le cordon d'alimentation de façon qu'il ne vienne en contact avec la surface du poêle.

EXIGENCES D'AIR FRAIS ET D'AÉRATION

Lorsque vous décidez de la localisation du poêle, assurez-vous que l'aire sera toujours approvisionnée d'air frais. Un manque d'air pourrait appauvrir tous les appareils à combustion de vos quartiers et possiblement causer une condition dangereuse.

L'approvisionnement d'air de combustion de l'extérieur pourrait être nécessaire pour garantir que les appareils à combustion ne créent pas d'émanations dangereuses à l'intérieur. Le guide pour déterminer le besoin d'air de combustion supplémentaire pourrait ne pas être exact dans toutes les situations. En cas de doute, nous conseillons d'amener un approvisionnement d'air supplémentaire. De l'air de combustion extérieur pourrait être requis si les indications ci-dessous, ou d'autres indications, suggèrent que l'apport d'air est insuffisant :

- Le poêle à grenailles de bois n'aspire pas de façon constante et produit des bouffées de fumée, les grenailles ne brûlent pas facilement et le tirage de la cheminée s'inverse lors de combustion ou non.
- Autre équipement de combustion dans la maison, tel un foyer ouvert ou autre appareil de combustion dégageant odeur de combustion ou ne fonctionnant pas adéquatement, dégage de la fumée dans la pièce lorsqu'ouvert pour chargement ou soumis à un tirage inverse de cheminée lors de combustion ou non.
- Si n'importe lequel des symptômes ci-dessus se redresse lors de journées non venteuses ou en ouvrant une fenêtre légèrement.
- La maison est très étanche avec pare-vapeur et fenêtres bien scellées ou possède des dispositifs d'expulsion d'air intérieur.
- Une condensation excessive se produit dans les fenêtres en hiver.
- Un système d'aération est installé sur la maison.

De l'air de combustion supplémentaire pourrait être approvisionné au poêle à grenailles de bois directement de l'extérieur par l'entremise de la trousse d'entrée d'air comprise pour se connecter à l'entrée d'air en bas à l'arrière du poêle. Toute installation de la sorte devra satisfaire la Clause 4 de la norme B365 de la CSA.

⚠ ATTENTION : NE JAMAIS ASPIRER D'AIR DE COMBUSTION DU :

- PLÉNUM D'AIR DES MURS, DU PLANCHER ET DU PLAFOND.
- D'UN ESPACE CLOS TEL UN GRENIER, UN VIDE SANITAIRE OU UN GARAGE.

⚠ ATTENTION : SI UN TUYAU D'ENTRÉE D'AIR EST RACCORDÉ, ALORS LE POÊLE DEVRA ÊTRE FIXÉ À LA STRUCTURE DE LA MAISON.

EXIGENCES D'ÉVACUATION ADDITIONNELLE

Un minimum de 1,8 m (6 pi) de tuyau d'évent (n'incluant pas les coudes) doit être utilisé.

- Utiliser un tuyau d'évent de 8 cm (3 po) pour le système en entier, OU il est possible d'utiliser un adaptateur de 10/15 cm (4 ou 6 po) sur l'évacuation, immédiatement là où elle quitte le poêle.
- Si le système a plus de 4,9 m (16 pi), utiliser un tuyau d'évent de 10 cm (4 po).
- La longueur minimale du conduit vertical est de 1,2 m (4 pi), et un coude à 45 degrés/chapeau de cheminée est requis sur la terminaison de l'évacuation.

IMPORTANT: Un scellant à la silicone doit être ajouté entre les doubles parois d'un conduit terminal.

EXIGENCES ET ASSEMBLAGE DES RACCORDS

⚠ ATTENTION : LE TUYAU DE RACCORDEMENT DE CHEMINÉE NE DOIT PAS TRAVERSER LE GRENIER OU LE TOIT, OU TOUT GARDE-ROBE OU ARMOIRE (OU AUTRE ESPACE CLOS) NI LE PLANCHER OU LE PLAFOND. POUR LE RACCORDEMENT D'APPAREILS DE CHAUFFAGE À COMBUSTIBLE SOLIDE À TRAVERS UN MUR OU PARTITION DE MATÉRIAU COMBUSTIBLE, L'INSTALLATION DEVRA ÊTRE CONFORME À LA NORME CAN/CSA-B365.

Tous les tuyaux et coudes devraient être installés avec l'extrémité à sertir vers le poêle (et non vers la sortie de la cheminée) et devraient être fixés avec trois vis à métal réparties également sur la circonférence.

Les raccords, coudes et sections de cheminée devraient être de type « L » ou « PL » et de diamètre de 80 mm (3 po) puisque le système d'aspiration est basé sur une pression négative dans la chambre à combustion et une légère surpression à la sortie des gaz. Il sera donc important que le raccordement de la tuyauterie soit bien ajusté et scellé. Nous recommandons que la tuyauterie des raccords, des coudes et de la cheminée soient de type B pour aération à double paroi et de calibre minimum n°24.

Veillez noter que les coudes dans le système d'échappement réduisent le débit d'air, diminuant la performance et qu'ils offrent un point d'accumulation de dépôts de cendre nécessitant un nettoyage plus fréquent.

⚠ ATTENTION : LES JONCTIONS DE TOUS LES TUYAUX DE RACCORDEMENT DE SYSTÈME D'AÉRATION (CANALISATION OPTIONNELLE D'ENTRÉE D'AIR OU ÉCHAPPEMENT DE COMBUSTION) DEVRONT ÊTRE SCÉLÉES À L'AIDE DE SILICONE RÉSISTANT AUX TEMPÉRATURES ÉLEVÉES.

EXIGENCES GÉNÉRALES D'AÉRATION

⚠ ATTENTION : NE RACCORDER À AUCUNE CANALISATION OU SYSTÈME DE DISTRIBUTION D'AIR.

⚠ ATTENTION : NE PAS RACCORDER CETTE UNITÉ À UNE CHEMINÉE CONNECTÉE À UN AUTRE APPAREIL.

⚠ ATTENTION : NE PAS INSTALLER DE REGISTRE DE TIRAGE À CLAPET DANS LE TUYAU D'ÉCHAPPEMENT DE CE POÊLE À GRENAILLES DE BOIS.

⚠ ATTENTION : NE PAS INSTALLER DANS UN FOYER.

Ce poêle à grenailles de bois doit être connecté à une cheminée portant l'une ou l'autre des homologations suivantes :

- Enregistrement de classe A conforme aux exigences du type HT de la norme UL 103 (Standard for Chimneys, Factory-Built, Residential Type and Building Heating Appliance)
- Cheminée de maçonnerie certifiée ICBO (International Conference of Building Officials) pour les poêles à combustible solide.

CAPUCHON D'ÉVENT

- Installer l'évent d'échappement en respectant les distances de dégagement spécifiées par le fabricant.
- Installer le capuchon d'évent d'échappement en respectant les distances de dégagement spécifiées par le fabricant.
- Si vous utilisez la trousse d'entrée d'air, assurez-vous qu'il y ait au moins 30 cm (12 po) de dégagement entre le capuchon d'évent et la bouche d'entrée d'air.

- Il est aussi recommandé de garder au moins 30 cm (12 po) de dégagement entre la sortie d'évent et les fenêtres, portes ou coins de murs extérieurs.
- Les endroits traversés vers l'extérieur par la cheminée ou d'autres composants devront être scellés à la silicone.
- Pour confirmer que toutes les exigences sont respectées, se référer aux codes locaux.

Les cheminées verticales devront répondre aux exigences minimales suivantes :

- Longueur minimum de 4,6 m (15 pi) mesuré du dessus du poêle jusqu'au dessus du capuchon de la cheminée.
- Si le faîte du toit se trouve à une distance verticale de moins de 305 cm (10 pi) du point de sortie de la cheminée, le dessus de son capuchon devra dépasser le plus haut point du toit de d'au moins 61 cm (2 pi).
- La longueur de la cheminée dépassant le toit doit être d'un minimum de 91 cm (3 pi).

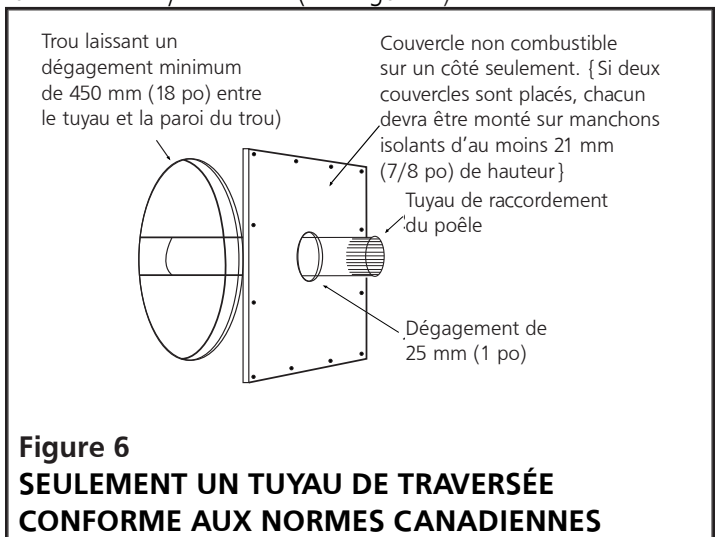
Les cheminées horizontales devront répondre aux exigences minimales suivantes :

- Être à une hauteur d'au moins 30 cm (12 po) au dessus du sol ou autres obstructions (patio, balcon, véranda ou bosquet de végétation).

TRAVERSÉE DE MUR

Lorsque le passage à travers un mur ou une partition de matériau inflammable est requis, le montage devra se conformer aux directives du fabricant.

REMARQUE : Au Canada, l'installation devra être conforme à la norme CAN/CSA-B365 (voir figure 6).



EXIGENCES SUPPLÉMENTAIRES POUR MAISONS MOBILES

⚠ AVERTISSEMENT : NE PAS LOCALISER DANS LES CHAMBRES À COUCHER.

PIÈCES ET MATÉRIAUX REQUIS (NON FOURNIS)

- Une cheminée de diamètre de 80 mm (3 po) conforme à la norme UL-103 (Standard for Factory-Built Chimneys for Residential Type and Building Heating Appliances).

TECHNIQUES DE TRAVERSÉE DE MUR APPROUVÉES NFPA 211 (É-U SEULEMENT)

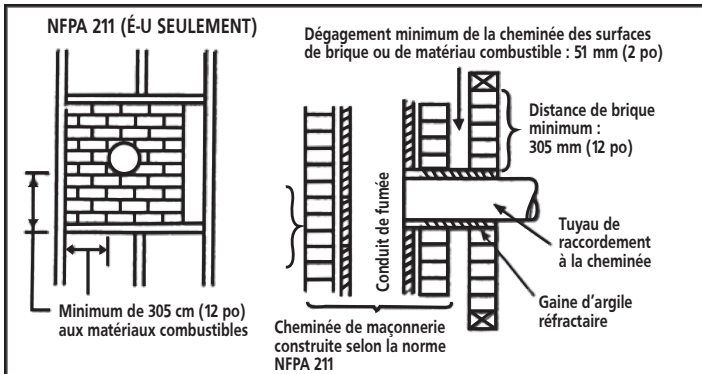


Figure 7 (É-U SEULEMENT)

Maçonnerie de brique : Maçonnerie de briques de 89 mm (3,5 po) d'épaisseur compris dans un mur de matériau combustible avec une séparation de brique d'un minimum de 305 mm (12 po) de la gaine d'argile aux matériaux combustibles. La gaine d'argile réfractaire devra couvrir l'étendue entre la surface extérieure du mur de brique jusqu'à atteindre la surface intérieure du conduit de cheminée, sans y pénétrer, et devra être bien cimentée en place.

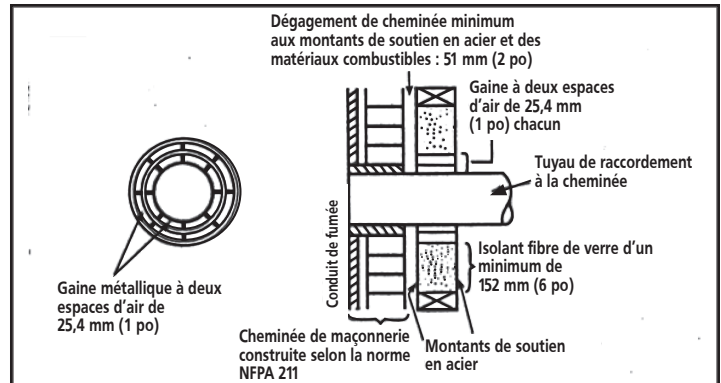


Figure 9 (É-U SEULEMENT)

Gaine à espaces d'air : Tuyau de raccordement à la cheminée d'épaisseur minimale de calibre n° 24 avec gaine métallique de calibre minimal n° 24 à deux espaces d'air de 25,4 mm (1 po) isolée des matériaux combustibles par au moins 152 mm (6 po) de fibre de verre. L'ouverture devra être recouverte et la gaine supportée par des montants d'acier de calibre minimum n° 24.

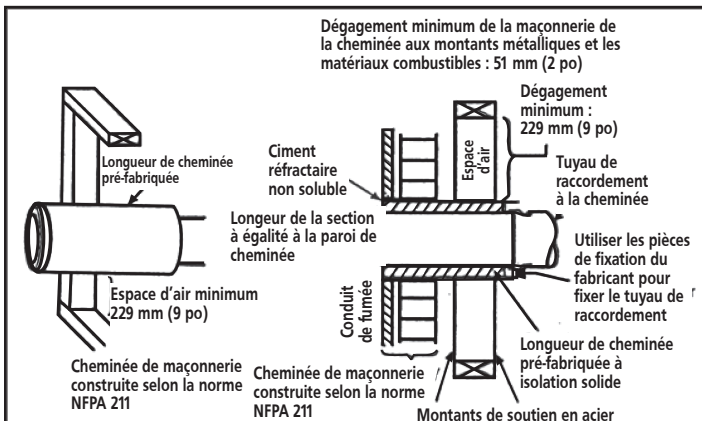


Figure 8 (É-U SEULEMENT)

Manchon isolé : Longueur de cheminée pré-fabriquée avec isolant solide de diamètre interne identique au raccord de sortie du poêle et 25,4 mm (1 po) ou plus d'isolant montée avec un minimum de 229 mm (9 po) d'espace d'air entre la paroi extérieure de celle-ci et des matériaux combustibles.

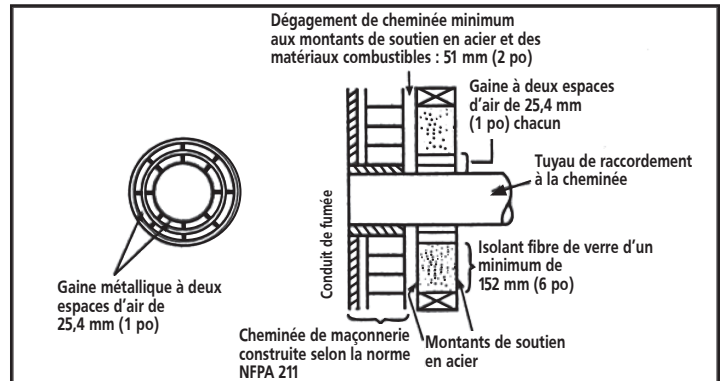


Figure 10 (É-U SEULEMENT)

Section de cheminée comme traversée : Longueur de cheminée pré-fabriquée à isolation solide d'au moins 25,4 mm (1 po) d'épaisseur ayant un diamètre intérieur 51 mm (2 po) plus grand que le tuyau de raccordement de tôle de calibre minimum n° 24 et dont tout matériau combustible se trouve à au moins 51 mm (2 po) de la paroi extérieure de la section de cheminée. La longueur minimale de la section de cheminée devra être de 305 mm (12 po) supportée par des montants métalliques à une hauteur laissant 25,4 mm (1 po) de dégagement autour du tuyau de raccordement. L'ouverture devra être recouverte et la section de cheminée supportée et fixée à deux montants d'acier de calibre minimum n° 24. La quincaillerie de fixation de la section de cheminée ne doit pas perforer sa paroi interne.

- Gaine aérée de plafond adéquate pour utilisation dans les maisons mobiles.
- Gaine aérée de toit adéquate pour utilisation dans les maisons mobiles.
- Parafoudre adéquat pour utilisation dans les maisons mobiles.
- Solin de toit adéquat pour utilisation sur les maisons mobiles.

EXIGENCES D'INSTALLATION SUPPLÉMENTAIRES

- La cheminée devra être directement attachée à l'appareil de chauffage et devra dépasser le toit traversé d'au moins 0,9 m (3 pi).
- Le dessus de la cheminée devra dépasser d'au moins 0,6 m (2 pi) tout objet élevé dans un rayon de 3 m (10 pi) de la cheminée.
- Les sections d'extrémité de la cheminée devront pouvoir être démontées jusqu'à une hauteur de 4,1 m (13,5 pi) au-dessus du sol sans nécessiter d'équipement particulier.
- Le montage de la cheminée devra être sécurisé par une fixation mécanique au support du toit et du plafond.
- Exigences de gardes protectrices de cheminée :
 - Lorsque la cheminée sort de la maison mobile à un endroit autre qu'à travers le toit à une hauteur de moins de 2,1 m (7 pi) au-dessus du sol, une garde protectrice entourant la cheminée devra être installée sur toute la longueur de la cheminée en-dessous de 2,1 m (7,pi).
 - La garde protectrice ne devra pas comporter d'ouverture pouvant laisser pénétrer tout objet de diamètre de 19 mm (3/4 po) ou plus.
 - La garde protectrice ne devra pas comporter d'ouverture pouvant laisser pénétrer tout objet de diamètre de 16 mm (1/2 po) ou moins à plus de 102 mm (4 po) à l'intérieur.
- Le poêle doit être monté sur un plancher pouvant supporter son poids.
- Le poêle devra être boulonné à la surface au niveau de façon permanente pour ne pas qu'il puisse être déplacé, être basculé ou placé de façon compromettant une aération adéquate.
- Une canalisation permanente d'admission d'air frais pour entretenir la combustion devra être installée en répondant aux exigences suivantes :
 - La canalisation devra être totalement métallique sans comporter d'autre matériau tel le plastique.
 - Son extrémité devra posséder un grillage prévenant la vermine de s'y infiltrer.

- La bouche d'entrée devra être libre en tout temps de feuilles, neige, glace ou autre débris pouvant restreindre l'alimentation d'air pour un fonctionnement adéquat de l'appareil.
- Les jonctions de tous les tuyaux de raccordement des deux systèmes d'aération (l'entrée et l'évacuation d'air) devront être scellées à l'aide de silicone résistant aux températures élevées.
- La cheminée devra être conforme à tous les codes applicables et exigences des autorités ayant juridiction.
- Si la maison mobile doit être déplacée, la cheminée devra être déposée et reposée selon les codes locaux à sa destination.

Le système du conduit de fumée est basé sur une pression négative dans la chambre à combustion et une légère surpression à la sortie des gaz. Il sera donc important que le raccordement de la tuyauterie soit bien ajusté et scellé.

⚠ ATTENTION : L'INTÉGRITÉ STRUCTURELLE DU PLANCHER, DES MURS, DU PLAFOND ET DU TOIT DEVRA ÊTRE MAINTENUE.

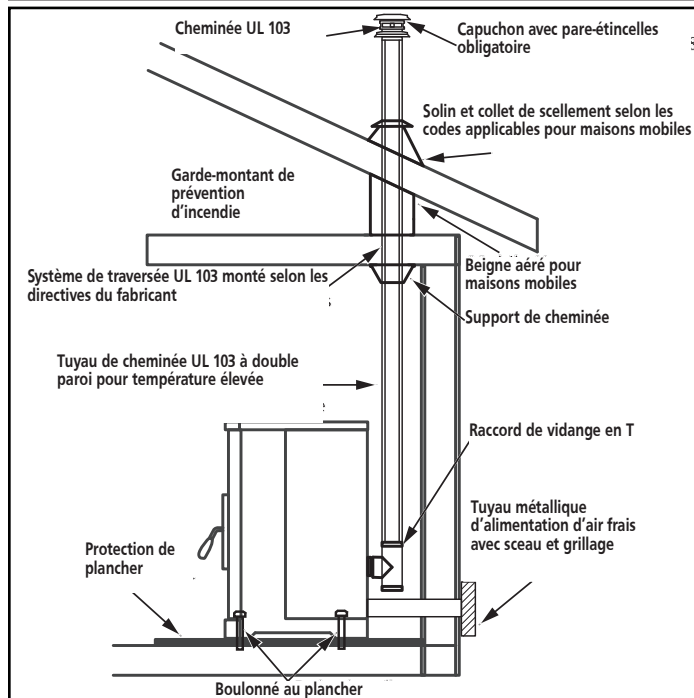


Figure 11 Cheminée verticale de maison mobile

INSTRUCTIONS ET SCHÉMA DE CHEMINÉE DE MAÇONNERIE AVEC CONDUIT DE FUMÉE

Ce poêle est conçu pour une évacuation par une cheminée de maçonnerie conforme au code du bâtiment et code des incendies locaux ainsi qu'aux dernières éditions des normes NFPA 211 aux États-Unis ou CSA-B365 au Canada.

1. Si la tuyauterie de raccordement du poêle à la cheminée de maçonnerie est faite à travers un mur de matériau combustible, consultez un maçon qualifié ou un dépositaire de cheminée pour des

conseils. Pour garantir la sécurité de l'installation, celle-ci devrait seulement être faite par un installateur qualifié. L'installation devra être faite en conformité aux règlements établis et aux codes du bâtiment et des incendies locaux.

2. Le tuyau de raccordement à la cheminée ne devra pas causer obstruction à l'intérieur du conduit de fumée comme montré à la figure 12 ci-dessous.

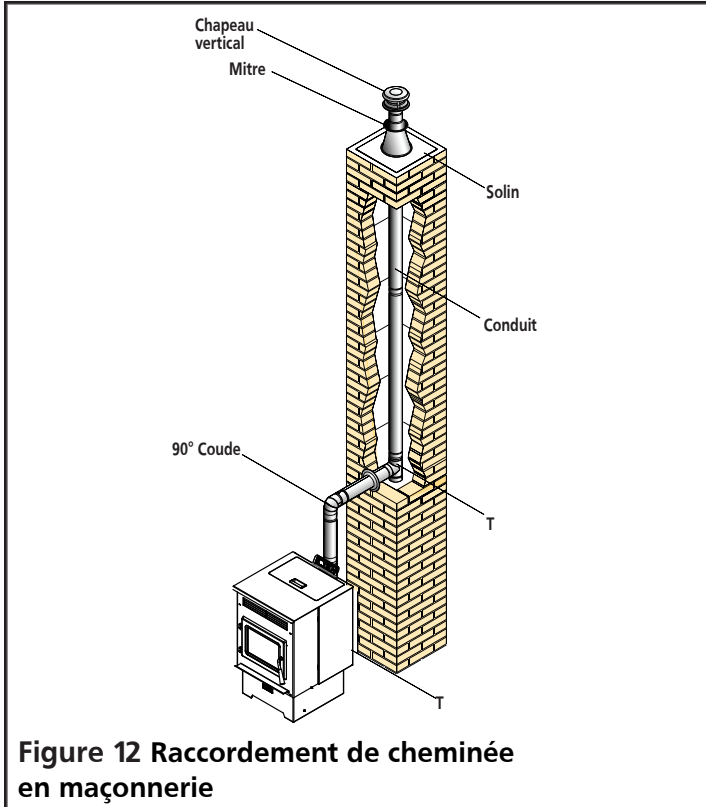


Figure 12 Raccordement de cheminée en maçonnerie

3. Toute ouverture à la base de la cheminée devra être fermée de façon étanche.

INSTRUCTIONS ET SCHÉMA DE CHEMINÉE PRÉFABRIQUÉE

⚠ AVERTISSEMENT : NE PAS SE SERVIR D'UN TUYAU DE POÊLE À PAROI UNIQUE COMME CHEMINÉE.

Ce poêle est conçu pour être utilisé soit avec une cheminée pré-fabriquée possédant un enregistrement UL 103HT (aux États-Unis) ou ULC-S629 (au Canada) ou avec une cheminée de maçonnerie avec conduit de fumée approuvée. Les cheminées pré-fabriquées ne sont pas toutes enregistrées UL103 HT/ULC-S629. Les centres de rénovation domiciliaires, les quincailleries et les magasins de fournitures CVCA ainsi que les sites Web de fabricants de cheminées pourront vous fournir des tuyaux de poêle isolés répondant à ces normes.

Cet enregistrement indique que ces produits sont conçus pour une température élevée jusqu'à 1 149 C (2 100 F).

N'assembler que des sections provenant du même fabricant. Ne pas utiliser des sections de différentes marques dans un même système d'aération.

Les illustrations ci-dessous montrent différentes méthodes et exigences d'utilisation de cheminée pré-fabriquée et des tuyaux de raccordement au poêle.

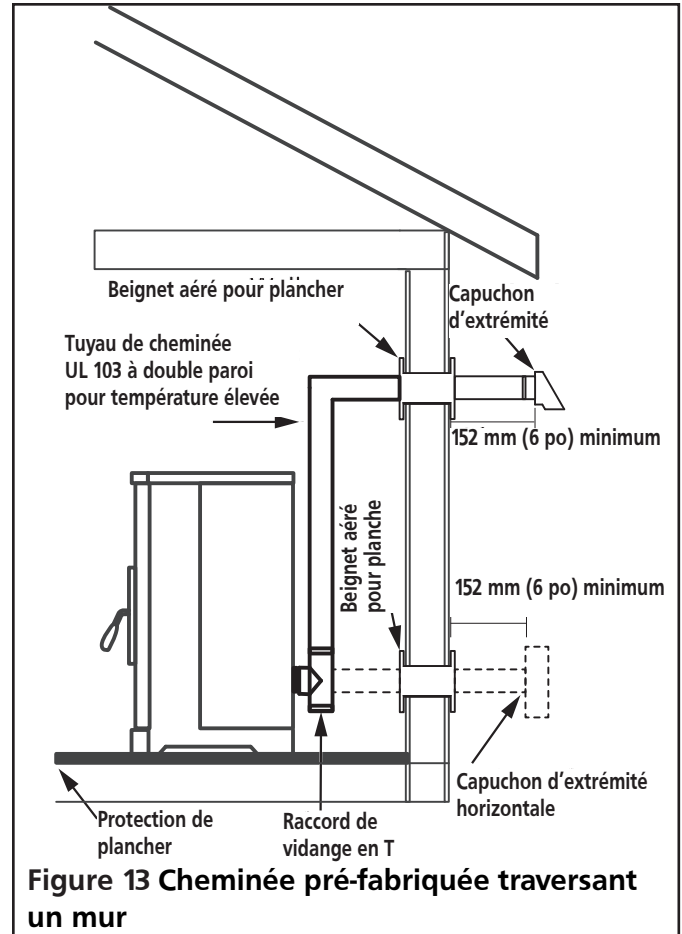


Figure 13 Cheminée pré-fabriquée traversant un mur

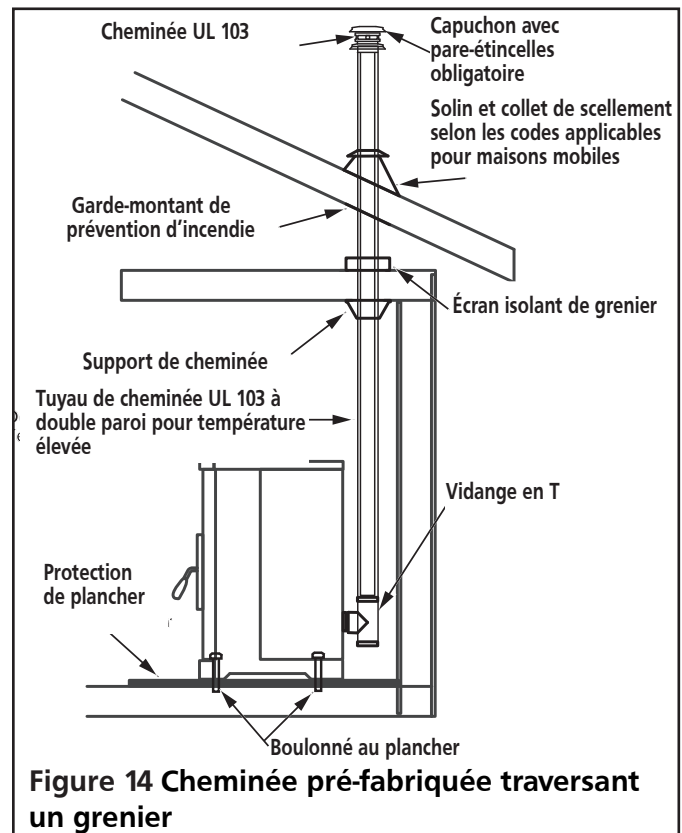
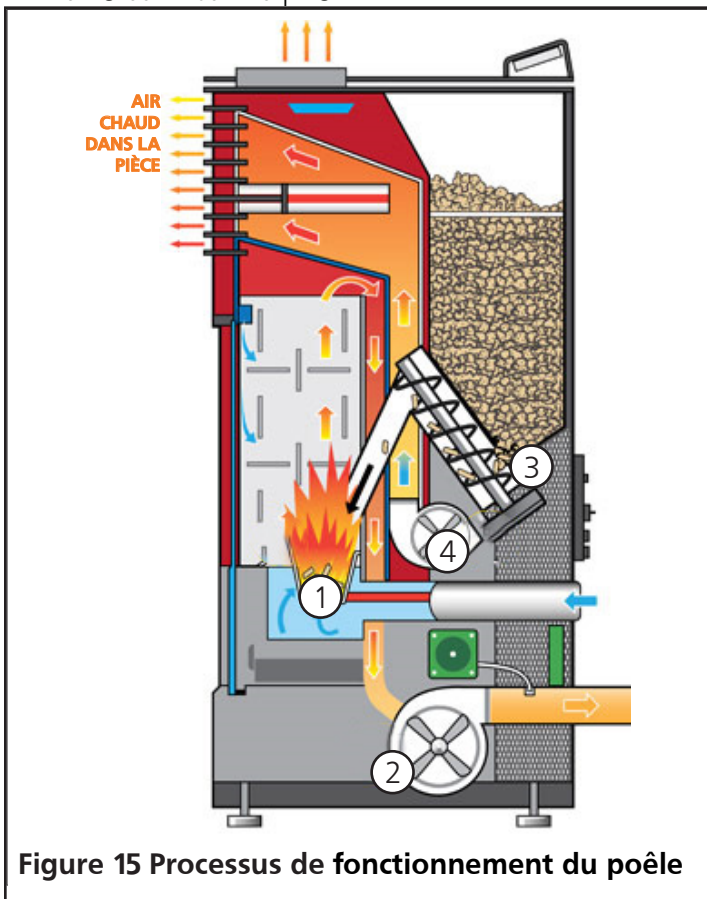


Figure 14 Cheminée pré-fabriquée traversant un grenier

FONCTIONNEMENT

THÉORIE DE FONCTIONNEMENT

1. La combustion se produit dans le pot du poêle qui est alimenté en air par des trous en périphérie et en-dessous de celui-ci. Veuillez noter que de l'air est soufflé par le dessus de la chambre de combustion, prévenant l'accumulation de cendre et de débris sur la porte.
2. Le ventilateur d'échappement aspire les produits consommés volatils et les expulse par la tuyauterie de sortie installée par l'utilisateur.
3. La tarière transfère les grenailles de la trémie au pot de combustion pour alimenter le feu.
4. Un ventilateur de l'appareil à convection fait circuler l'air sur les parois externes du pot à combustion propageant l'air chauffé dans la pièce.



COMBUSTIBLE APPROUVÉ :

Ne pas utiliser de grenailles de qualité inférieure à la première qualité PFI. Les grenailles de bois franc naturelles à 100 % (non traitées, sans agent agglomérant et d'un maximum de 5 % d'écorce) sont le seul combustible approuvé pour utilisation avec ce poêle. Pour un rendement maximum, voir les spécifications ci-dessous :

- Valeur calorifique de 5,3 kWh/kg
- Densité de 700 kg/m³
- Les grenailles devraient être à faible production de cendre (moins de 1 %)
- Les grenailles devraient être de moins de 30 mm de long et de diamètre entre 5 et 6,5 mm.

- Ne pas utiliser les sédiments et débris au fond des contenants de grenailles.
- Entreposer les grenailles dans des sacs à deux ou trois couches de papier (comme ceux des sacs de ciment) ou faits de produits synthétiques biologiquement dégradables et neutres au point de vue environnemental.

L'utilisation de grenailles de bois non conformes à ces spécifications pourrait résulter en des problèmes d'allumage, une plus grande production de crésote ou l'accumulation de cendres volatiles, de combustion incomplète, une faible production de chaleur et le noircissement de la porte vitrée.

⚠ ATTENTION : NE PAS SE SERVIR DE PRODUITS CHIMIQUES OU DE LIQUIDES POUR DÉMARRER LA COMBUSTION.

⚠ ATTENTION : NE PAS INSÉRER DE DÉCHETS OU DE PRODUITS INFLAMMABLES TEL L'ESSENCE, LE NAPHTA OU DE L'HUILE À MOTEUR DANS LE POT DE COMBUSTION.

⚠ ATTENTION : NE JAMAIS TENTER D'UTILISER UN DES PRODUITS ÉNUMÉRÉS CI-DESSOUS COMME COMBUSTIBLE :

- Produits du papier, carton ou panneau de particules;
- Déchets;
- Carcasses ou fumier d'animaux;
- Résidus de tonte de gazon ou déchets de cultures;
- Produits du pétrole usés;
- Charbon;
- Débris de construction ou de démolition;
- Traverses de chemin de fer ou bois traité sous pression;
- Matériaux comprenant
 - amiante
 - plastic
 - caoutchouc (pneus compris)
- Produits du pétrole tel
 - peintures
 - solvants à peinture
 - produits d'asphalte

BRÛLER CES MATÉRIAUX POURRAIT CRÉER DES ÉMANATIONS TOXIQUES OU RENDRE LE POÊLE INUTILISABLE ET DÉGAGER DE LA FUMÉE

Ne pas remiser les grenailles de bois ou d'autres produits d'allumage sur le protecteur de plancher, sous le tuyau de raccordement à la cheminée ou n'importe où à une distance inférieure aux dégagements minimum des surfaces combustibles indiqués à la page 5.

Les grenailles de bois devraient être entreposées dans un endroit sec et bien aéré.

⚠ MISE EN GARDE : NE PAS stocker les granulés non utilisés dans le poêle pour une utilisation ultérieure, car ils pourraient accumuler de l'humidité. L'utilisation de granulés humides ou mouillés peut entraîner des difficultés d'allumage, une combustion incomplète et un risque d'incendie dans la trémie.

PRÉCAUTIONS POUR LE FONCTIONNEMENT

⚠ AVERTISSEMENT : BRÛLANT DURANT LE FONCTIONNEMENT. NE PAS TOUCHER LE POÊLE. GARDER LES ENFANTS, LES VÊTEMENTS ET L'AMEUBLEMENT ÉLOIGNÉS. LE CONTACT POURRAIT CAUSER DES BRÛLURES.

⚠ ATTENTION : AVANT D'UTILISER LE POÊLE S'ASSURER QUE LE POT DE COMBUSTION ET LE CABARET SOUS-JACENT SONT PROPRES ET BIEN POSITIONNÉS.

⚠ AVERTISSEMENT : NE JAMAIS UTILISER DE LIQUIDE D'ALLUMAGE DE CHARBON, DE KÉROSÈNE, D'HUILE À LAMPE OU D'ESSENCE POUR ALLUMER OU RÉ-ACTIVER LE FEU DANS CETTE UNITÉ. GARDER TOUTES CES SUBSTANCES BIEN À L'ÉCART DU POÊLE LORS DE SON FONCTIONNEMENT.

POLYMÉRISATION DE LA PEINTURE

Pour permettre à la peinture de se lier au poêle de façon durable, faites-le chauffer au réglage maximum (P1) durant 60 minutes. Pour évacuer les émanations de fumée ou odeurs créés par ce processus de cure, ouvrez portes et fenêtres opposées de la pièce.

PROCÉDURE DE FONCTIONNEMENT : ALLUMAGE DU POÊLE

REMARQUE : Si l'afficheur indique que le cycle d'extinction est en cours (« Switching Off »), ce cycle ne pourra être annulé. En cas de tentative, un message indiquera que le cycle ne peut être interrompu. Le poêle pourra seulement être rallumé après que le cycle d'extinction sera terminé après que l'échangeur de chaleur aura refroidi.

REMARQUE : NE PAS UTILISER DE GRILLE, FER OU TOUT AUTRE DISPOSITIF POUR PLACER LES GRENAILLES DE BOIS DANS LE POT DE COMBUSTION. SEUL LE POT LUI-MÊME, PARTICULIER À VOTRE MODÈLE DE POÊLE, DOIT ÊTRE UTILISÉ.

1. Branchez le cordon d'alimentation dans la prise située à l'arrière du poêle et appuyez sur l'interrupteur à bascule rouge MARCHE/ARRÊT situé au-dessus sur MARCHE. Voir Figure 16.

Grand Teton Poêle à granulés de bois

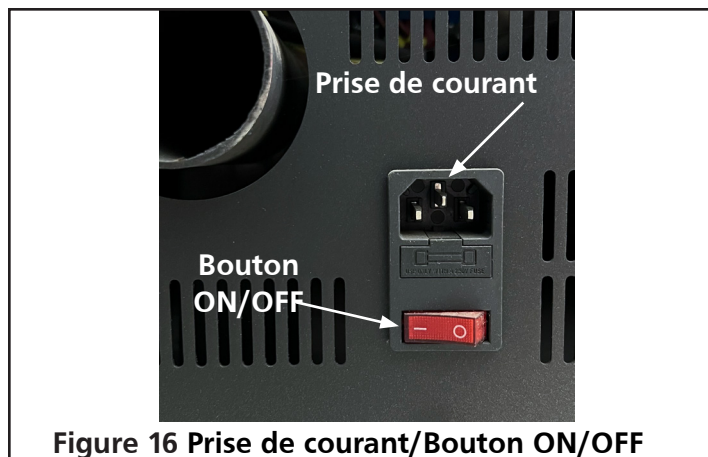


Figure 16 Prise de courant/Bouton ON/OFF

REMARQUE: POUR EMPÊCHER LE POÊLE DE FONCTIONNER, ÉTEINDRE L'INTERRUPTEUR D'ALIMENTATION ROUGE EN BAS, À L'ARRIÈRE DU POÊLE.

2. S'assurer que les joints d'étanchéité de la porte et du tiroir de cendre sont en bon état. Pour la première opération, ajouter une poignée de grenailles directement dans la chambre de combustion. Fermer le tiroir de cendre et les portes hermétiquement et s'assurer que les panneaux latéraux ont bien été installés.
3. Ouvrez la trémie. Assurez-vous qu'elle est suffisamment remplie. Refermez la trémie.
4. Appuyez sur l'icône d'alimentation et maintenez-la enfoncée pendant 3 secondes sur le panneau d'affichage. Appuyez sur le bouton d'alimentation. Le poêle procédera automatiquement à effectuer ce qui suit :
 - Cycle de nettoyage : Le pot de combustion est nettoyé des cendres, poussières et résidus accumulés.
 - Cycle d'alimentation : Les grenailles passeront de la trémie au pot de combustion par l'entremise de la tarière. Selon le modèle de poêle, ceci pourra prendre de 5 à 15 minutes.
 - Cycle d'allumage : L'allumeur à surface chaude électrique sera tout le cycle d'allumage et pendant quelques minutes après que le poêle se sera stabilisé et pour entamer la combustion des grenailles dans le pot. L'allumeur demeurera activé jusqu'à ce que la température de l'air/fumée d'échappement atteigne le seuil de température de fonctionnement autonome.
 - Cycle de stabilisation : Le système ajustera les fonctions pour procurer la température désirée. La stabilisation se poursuivra jusqu'à ce que le poêle lise la température souhaitée par le thermostat.
5. Le poêle est alors allumé.

PROCÉDURE DE FONCTIONNEMENT : EXTINCTION DU POÊLE

⚠ ATTENTION : APRÈS LE CYCLE DE REFROIDISSEMENT, LE POÊLE COMMENCERA AUTOMATIQUÉMENT UN NOUVEAU CYCLE DE FONCTIONNEMENT.

REMARQUE : LE POÊLE PEUT ÊTRE ÉTEINT DURANT TOUS LES CYCLES INDIQUÉS À L’AFFICHEUR EN ACTIONNANT ET MAINTENANT LE BOUTON D’ALIMENTATION DURANT TROIS SECONDES. UNE FOIS QUE L’AFFICHEUR INDIQUE QUE LE POÊLE EST EN MODE DE STABILISATION, ACTIONNEZ LE BOUTON D’ALIMENTATION UNE AUTRE FOIS. LE POÊLE SE METTRA EN CYCLE DE REFROIDISSEMENT (AFFICHÉ À L’ÉCRAN).

1. Appuyez sur le bouton d'alimentation. Le poêle procédera automatiquement à effectuer ce qui suit :
 - Arrêt du chauffage : Les grenailles se trouvant dans la chambre de combustion continueront à se consommer et produire flamme et chaleur. Elles devraient être toutes consommées après 5 à 8 minutes. L'échangeur de chaleur pourra alors commencer à refroidir.
 - Goodbye : Le dernier message présenté à l'afficheur indiquant que le poêle s'est refroidi.
2. Le poêle est alors éteint.

FONCTIONNEMENT AVEC UNE GÉNÉRATRICE ÉLECTRIQUE

Ce poêle est conçu pour avoir l'option d'être alimenté par une génératrice électrique, mais les génératrices ne sont pas toutes compatibles pour fonctionner avec cet appareil. Consultez les spécifications de votre génératrice concernant son régulateur de tension et assurez-vous qu'elles correspondent aux exigences de votre poêle telles qu'indiquées à la page 3.

COMMENT MINIMISER LA FORMATION DE CRÉOSOTE

Pour les explications concernant la formation et le nettoyage de crésote, voir ENTRETIEN on page 17. Pour ralentir l'accumulation de crésote dans votre cheminée, n'utilisez que les grenailles recommandées à la page 12.

DISPOSITION DES CENDRES

⚠ ATTENTION : DES BRAISES POURRAIENT SE TROUVER SOUS LA CENDRE. POUR LA MANIPULATION DES CENDRES UTILISEZ TOUJOURS DES OUTILS POUR CHARBONS ARDENTS, JAMAIS AVEC VOS MAINS! PORTER DES VÊTEMENTS IGNIFUGES ET UNE PROTECTION OCULAIRE.

Les cendres devraient être placées dans un contenant métallique avec un couvercle hermétique.

1. D'autres rebuts ne doivent pas être mis dans le contenant de cendres.
2. Le contenant de cendres fermé devrait être placé sur un plancher non combustible ou sur le sol, éloigné de tout matériau combustible jusqu'à ce qu'il soit refroidi.
3. Les résidus minéraux du bois (environ 1 à 2 %) demeurent dans les cendres et sont un excellent fertilisant naturel pour tous les plants de jardin. Avant de disposer des cendres en les enfouissant dans le sol ou en les dispersant d'autre façon, elles devraient être gardées dans le contenant fermé jusqu'à ce que toutes les braises aient refroidi et elles devraient également être éteintes avec de l'eau.

CONNEXION WI-FI « SMART STOVE »

L'état de votre poêle peut être surveillé, contrôlé et programmé en utilisant l'application Smart Stove (par GTC) qui est disponible pour les plateformes iOS ou Android. Scannez le code QR sur la couverture de ce manuel.

Étape 1. Téléchargez l'application Smart Stove de GTC.

Étape 2. Ouvrez l'application Smart Stove de GTC. L'application s'ouvre, par défaut, à l'écran « S'inscrire ». Cliquez sur le bouton « S'inscrire ».

Étape 3. Entrez votre adresse courriel dans le champ « Courriel » et cliquez sur le bouton « Obtenir le code de vérification ».

Étape 4. Entrez le code de vérification qui vous a été envoyé par courriel dans le champ « Saisir le code de vérification ».

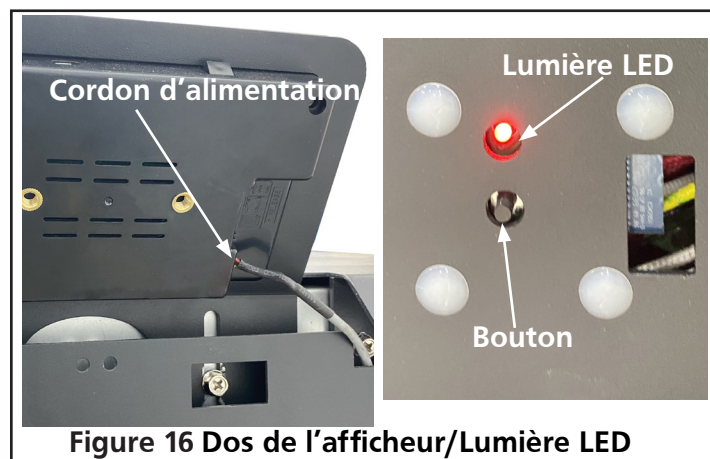
Étape 5. Vous pouvez maintenant définir un mot de passe unique pour votre appareil dans le champ « Définir le mot de passe » et cliquer sur le bouton « Terminé ».

Étape 6. Si vous n'avez pas d'autres dispositifs Wi-Fi déjà actifs sur cette application, un gros bouton «Ajouter un appareil» se trouvera au centre de l'écran sur lequel vous pouvez taper. Autrement, sélectionnez le signe + du coin supérieur droit de l'écran.

Étape 7. Assurez-vous que le poêle se connecte au réseau Wi-Fi accédé par votre dispositif.

Étape 8. Assurez-vous que le poêle est branché dans une prise électrique et qu'il peut être mis en marche.

Étape 9. Suivez les directives à l'écran en appuyant et maintenant le bouton de connexion à fond arrière du poêle durant 3 secondes comme montré ci-dessous. Lorsque la séquence de clignotement de recherche du témoin s'active, appuyez sur le bouton de confirmation au bas de l'écran.



Étape 10. Saisissez le mot de passe du réseau wi-fi de sorte que le poêle puisse se connecter au réseau.

Étape 11. Le poêle commencera la procédure d'appariement avec le dispositif utilisant l'application par l'entremise du réseau wi-fi. Ce processus pourrait prendre quelques minutes.

Étape 12. Après que le dispositif et l'appareil seront appariés vous pourrez voir l'icône du poêle à grenailles sous l'onglet « Devices » au bas de l'écran.

Étape 13. Sur votre dispositif, naviguez à vos vos réglages de dispositifs wi-fi qui comprendront maintenant le poêle comme un des choix. Sélectionnez le poêle comme votre connexion wi-fi.

Étape 14. Ouvrez à nouveau l'application Smart Stove sur votre téléphone.

Étape 15. Vous pouvez maintenant sélectionner ce poêle à partir de la liste des dispositifs ajoutés pour programmer, commander et surveiller le fonctionnement du poêle.

REMARQUE: Reportez-vous au guide de démarrage rapide inclus avec le poêle pour des informations plus détaillées sur la configuration de l'application.

COMMANDES WI-FI

Une fois connecté au poêle (voir l'étape 11 de Connexion Wi-Fi), vous pourrez ajuster et surveiller le fonctionnement du poêle à distance. Voir les explications ci-dessous :

- Nom du dispositif : Il est possible de changer le nom du poêle pour différencier l'appareil commandé en utilisant l'application « Smart Stove » (si vous avez plus d'un poêle).
- Partage du dispositif : il est possible de partager la connexion au poêle avec d'autres dispositifs par messagerie SMS ou par courriel.
- Eco Mode : Il existe deux modes ECO pouvant être sélectionnés qui économiseront les grenailles de bois tout en maintenant la température désirée. L'actionnement du bouton ECO permettra de basculer entre ces modes ou de les ignorer.
 - ECO 1 : Le poêle s'éteint lorsque la température désirée est atteinte. Il se rallumera à une température de la pièce pré-réglée en usine.
 - ECO 2 : Lorsque la température désirée est atteinte, le poêle passe en chauffage minimum (pré-réglage P4). Il se remettra à un réglage plus élevé lorsque la température de la pièce aura descendu à la température pré-réglée en usine.
- Configurations consignées : Quatre configurations peuvent être sélectionnées qui contrôlent la vitesse du ventilateur de combustion et du ventilateur de circulation d'air dans la pièce. L'actionnement du bouton Configurations consignées permettra de défiler entre les différentes configurations consignées ou d'ignorer les pré-réglages.
 - P1 [réglage de chauffage maximum]
 - P2 [réglage de chauffage intermédiaire]
 - P3 [réglage de chauffage bas]
 - P4 [réglage de chauffage minimum]

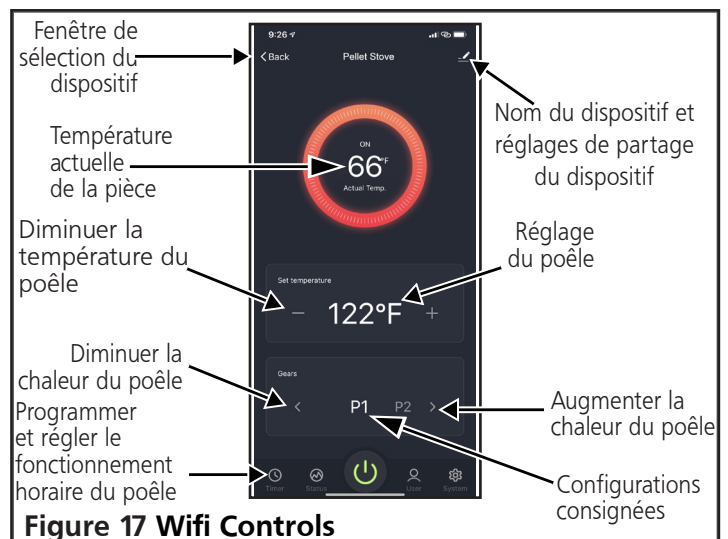


Figure 17 Wifi Controls

COMMANDES MULTI-FONCTIONS POUR N60WTS, N130WTS ET NBF66WTS

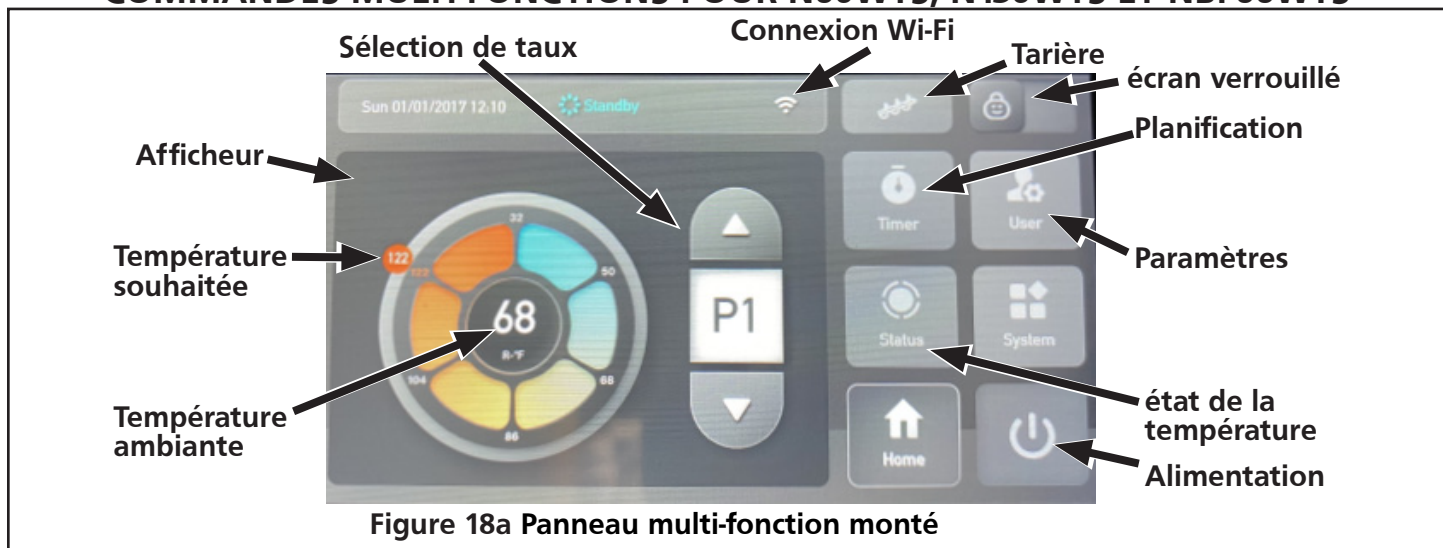


Figure 18a Panneau multi-fonction monté





Figure 18b Menu utilisateur


Fonctionnalité des boutons présents :

Fonctionnement normal


Pouvoir

- Appuyez sur  pour démarrer le chauffage du poêle si le poêle était éteint.
- Appuyez sur  pour commencer à éteindre le poêle si le poêle était en marche.


État de la température

- Appuyez sur  pour voir les lectures de température du poêle.
- Affiche la température du tuyau d'échappement, la température de protection de la trémie et le nombre d'heures de fonctionnement, etc.

Paramètres

- Appuyez sur  pour accéder au menu des paramètres utilisateur (Figure 18b).
- Dans ce menu, vous pouvez sélectionner °F ou °C, le mode ECO (voir les commandes Wi-Fi pour l'explication), les réglages de la durée d'agitation / du ventilateur d'extraction / du ventilateur, etc.

Planification

- Appuyez sur  pour entrer les durées de fonctionnement souhaitées.

Écran verrouillé

- L'écran de verrouillage s'allume lorsque l'écran est verrouillé en mode programmé.

Tarière

- Permet à l'utilisateur d'utiliser / d'engager la vis sans fin directement, de préparer / pré-alimenter le pot de combustion ou d'introduire des granulés dans la vis / l'unité avant l'allumage.

Sélectionner le tarif

- Appuyez sur les flèches de sélection de taux pour basculer entre quatre pré-réglages de chauffage configurables (voir les commandes Wi-Fi pour une explication des P #). Le pré-réglage actuellement défini est affiché entre les flèches Haut et Bas.

Température souhaitée

- À l'aide de votre doigt, appuyez et tournez autour de la roue jusqu'à la température désirée (applicable uniquement lors de l'utilisation des modes Thermostat et ECO).

ATTENTION : Le fabricant a programmé les taux consignés pour garantir un fonctionnement convenable. Il est déconseillé de modifier ces consignes.

ENTRETIEN

Pour un bon rendement de fonctionnement ce poêle à grenailles de bois nécessite un entretien périodique. Toute opération ne respectant pas les directives du présent Guide du propriétaire contrevient à la réglementation fédérale.

⚠ ATTENTION : ÉTEINDRE ET DÉBRANCHER LE POÊLE DE LA PRISE DE COURANT AVANT TOUT ENTRETIEN.

⚠ ATTENTION : LAISSER LE POÊLE SE REFROIDIR AVANT D'EFFECTUER TOUT ENTRETIEN.

⚠ ATTENTION : DURANT TOUT DÉMONTAGE OU REMONTAGE, PRENDRE GARDE DE NE PAS ÉCHAPPER QUOI QUE CE SOIT (VIS ETC.) DANS LA TRÉMIE. LES DÉBRIS PEUVENT BLOQUER LA TARIÈRE ET ENDOMMAGER LE POÊLE.

La fréquence à laquelle votre poêle nécessitera un nettoyage et un entretien dépendra de la qualité des grenailles utilisées. Leur haut taux d'humidité ou l'utilisation de fragments poussiéreux ou comprenant des cendres pourrait faire doubler le besoin d'entretien du poêle. Utilisez seulement les grenailles de bois approuvées.

À chaque jour, nettoyez le pot de combustion et le cabaret de récupération alors que le poêle est refroidi, qu'il est débranché et qu'il ne s'y trouve pas de braises chaudes. À l'aide d'un aspirateur, nettoyez le pot de combustion de ses cendres et débris et puis soulevez le pot pour nettoyer le cabaret sous-jacent. Il est important que les ouvertures d'aération du pot ne soient pas obstruées de cendres ou de débris. Un calendrier de nettoyage général serait comme suit :

- Pot de combustion : Après 10 sacs de grenailles de bois, ou de façon quotidienne. Selon la première éventualité.
- Tiroir de cendre : Après 50 sacs de grenailles de bois
- Canalisations internes : Après 100 sacs de grenailles de bois
- Ventilateur : Après 100 sacs de grenailles de bois

IMPORTANT: Il faut aussi s'assurer de vous référer au supplément concernant l'horaire de nettoyage, à la fin de cette section.

NETTOYAGE : POT DE COMBUSTION ET CABARET

⚠ ATTENTION : SI LE POÊLE EST POUR SERVICE CONTINU, IL DEVRA ÊTRE ÉTEINT AUX INTERVALLES DE 24 HEURES POUR NETTOYER LE POT DE COMBUSTION ET LE CABARET. LAISSER TOUJOURS LE POÊLE REFROIDIR ET LES BRAISES S'ÉTEINDRE AVANT LE NETTOYAGE.

Assurez-vous de replacer le pot de combustion dans la bonne orientation de sorte que les grenailles puissent être alimentées et allumées sans problème.

NETTOYAGE : VITRE

⚠ AVERTISSEMENT : NE PAS NETTOYER LA VITRE LORSQUE CHAUDE.

Bien que la circulation d'air sur la porte vitrée réduit l'accumulation de cendre acide sur la vitre, son nettoyage sera quand-même requis périodiquement. Le nettoyage est nécessaire pour prévenir l'affaiblissement du verre, ce qui pourrait augmenter son risque de fendillement. Il n'est pas acceptable de faire fonctionner un poêle avec une vitre fendillée ou brisée.

Le meilleur moyen de nettoyer la porte vitrée est d'utiliser un linge humide enduit de cendres refroidies. Pour la saleté incrustée consultez votre quincailler ou un expert d'entretien de poêles pour des conseils de produits nettoyants.

⚠ AVERTISSEMENT : NE PAS NETTOYER LA VITRE AVEC UN PRODUIT ABRASIF OU TOUT AUTRE MOYEN QUI POURRAIT ÉGRATIGNER OU ENDOMMAGER LE VERRE.

NETTOYAGE : CANALISATION D'ENTRÉE ET DE SORTIE

Les canalisations d'entrée et de sortie devraient être nettoyées au moins une fois par année. La consommation de grenailles produisant un taux élevé de cendres pourrait nécessiter un nettoyage plus fréquent des canalisations.

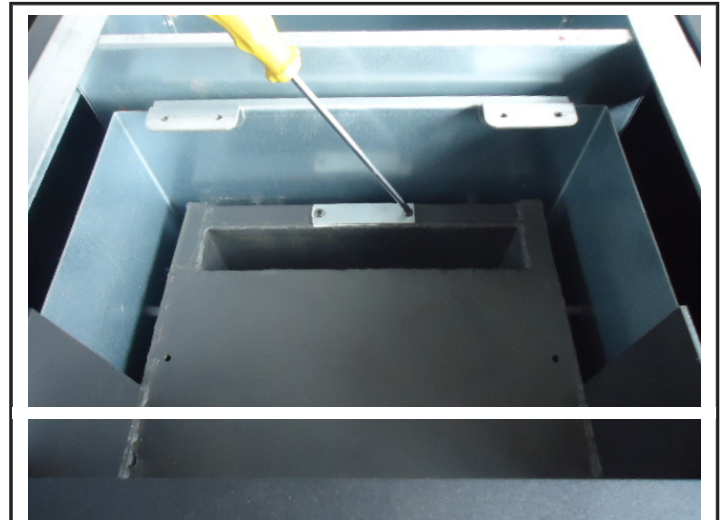


Figure 19 Canalisation de sortie

Un panneau d'accès se trouve de chaque côté du poêle qui peut être déposés en dévissant ses vis de fixation. Voir les figures 20, 23 et 24. Éteindre le poêle, le laisser se refroidir et le débrancher avant tout démontage et nettoyage.

Utiliser une brosse dans les ouvertures pour dégager toute accumulation de cendre et nettoyer à l'aide d'un aspirateur. Remettre les panneaux en place et les fixer solidement avec leurs vis à tête Allen.

Deux autres ouvertures des canalisations d'entrée et de sortie sont accessibles en déposant le tiroir de cendre. Desserrer les deux vis de 5/32 po à tête Allen montrées à la Figure 19. Faire pivoter les couvercles pour exposer l'ouverture. À l'aide d'une brosse, dégager toute accumulation de cendre. Utiliser une brosse dans les ouvertures pour dégager toute accumulation de cendre et nettoyer à l'aide d'un aspirateur. Replacer les couvercles devant les ouvertures et les fixer solidement avec leurs vis à tête Allen.

NETTOYAGE : VENTILATEUR DE CONVECTION

En vous tenant devant le poêle, vous trouverez le moteur du ventilateur faisant circuler l'air autour du pot et le dirigeant dans la pièce, sur le côté droit. Pour y accéder, ouvrir et déposer le panneau latéral. Nettoyez le ventilateur de convection au besoin alors que le poêle est refroidi, qu'il est débranché et qu'il ne s'y trouve pas de braises chaudes. Lors de l'opération de nettoyage, prenez garde de ne pas endommager les pales du ventilateur. A l'aide d'un aspirateur, nettoyer toute accumulation de poussière sur les pales du ventilateur et à l'intérieur de la canalisation.



N130WTS



N60WTS, NBF66WTS

Figure 20 Démontage du ventilateur de convection

NETTOYAGE : TUYAU DE SORTIE D'ÉCHAPPEMENT

Inspecter le système d'aération de sortie au moins une fois par année et déterminez si un nettoyage est requis. Des cendres, de la suie et de la créosote peuvent se produire durant le démarrage, l'extinction et le mauvais

fonctionnement. Pour nettoyer le système d'aération, insérez une brosse de nettoyage de dimension appropriée dans le tuyau pour dégager et retirer toute cendre ou accumulation de débris. L'accumulation de débris et les cendres peuvent restreindre le débit de gaz qui affectera la performance du poêle, et ne pas retirer la créosote pourrait résulter en un dangereux feu de cheminée.

CENDRES VOLANTES - FORMATION ET BESOIN DE RETIRER

Les produits de combustion comprendront de petites particules de cendres volantes. Les cendres volantes s'accumuleront dans le système d'échappement et restreindront l'évacuation des gaz de sortie. La combustion incomplète qui se produit durant le démarrage, l'extinction ou lors de mauvais fonctionnement du poêle conduira à la formation de suie qui s'accumulera dans le système d'échappement des gaz. Le système d'aération de sortie devra être inspecté au moins une fois par année pour déterminer si un nettoyage est requis. Pour dégager les accumulations de la canalisation, utilisez une brosse de cheminée de taille appropriée.

CRÉOSOTE - FORMATION ET BESOIN DE RETIRER

Ne pas retirer la créosote pourrait résulter en un dangereux feu de cheminée.

Lorsque les grenailles de bois sont consommées à basse température elles produisent des émanations organiques qui, combinées à l'humidité dégagée produit de la créosote. Les émanations de créosote se condensent dans les gaz relativement frais de la cheminée devenant un combustible potentiel d'allumage et elles s'accumulent sur la paroi de la cheminée. Si allumée, la créosote dégage une chaleur extrême. Le tuyau de raccordement à la cheminée devrait être inspecté au moins à tous les deux mois durant la saison d'utilisation pour déterminer si une accumulation de créosote s'est produite. Si l'accumulation atteint 3 mm (1/8 po) elle devra être retirée pour éliminer le danger de feu de cheminée. Pour dégager les accumulations du tuyau, utilisez une brosse de cheminée de taille appropriée.

Sachez que sous chauffage modéré en début et fin de saison une plus grande formation de créosote sera probable et un nettoyage hebdomadaire pourrait être requis alors qu'en chauffage plus élevé durant l'hiver un nettoyage mensuel pourrait suffire. Pour apprendre comment traiter un feu de cheminée, communiquez avec les autorités ou le service d'incendie de votre localité. En tant que préparation, ayez un plan de réaction précis pour éteindre les feux de cheminée.

REMPACEMENTS : VITRE

Tout bris de vitre ne devra être adressée que par le remplacement de la porte complète fournie par le fabricant. Voir pages 27 à through 29

⚠ AVERTISSEMENT : L'UTILISATION DE MATÉRIAU SUBSTITUT POURRAIT BRISER LA VITRE ET CAUSER DES BLESSURES.

REPLACEMENTS : JOINTS D'ÉTANCHÉITÉ

Au fil du temps, les joints d'étanchéité autour de la vitre, de la porte et du tiroir de cendre pourraient perdre de leur rigidité. Ces joints sont essentiels pour sceller le système permettant un fonctionnement sécuritaire. Inspectez les joints régulièrement et s'ils deviennent usés, communiquez avec le fabricant pour connaître le numéro de pièce requis pour votre unité.

Pour remplacer le joint d'étanchéité :

1. S'assurer que toutes les grenailles sont éteintes et que le poêle est froid.
2. Retirer le joint usé et nettoyer le sillon d'insertion.
3. Appliquer un mince film de ciment à joint d'étanchéité résistant aux températures élevées à l'intérieur du sillon.
4. Presser l'extrémité du joint d'étanchéité de remplacement dans le sillon préparé à partir du point gauche le plus élevé.
5. Continuer à presser le joint dans le sillon en sens horaire tout autour de la porte pour revenir faire contact au point de départ.
6. Couper l'excédent et bien presser les extrémités ensemble dans le sillon.

Fermer, la porte, tiroir ou tiroir de cendre et laisser le ciment durcir durant 3 à 4 heures avant d'allumer le poêle.

REPLACEMENTS : ALLUMEUR À SURFACE CHAUDE

S'assurer que le poêle est refroidi. À l'arrière à l'intérieur du poêle, dévisser les vis de fixation de l'allumeur. Sortir l'allumeur et le remplacer par le nouveau. Voir les figures 21 et 23.

REMARQUE: SELON LE MODÈLE DE POÊLE, IL PEUT ÊTRE NÉCESSAIRE D'ENLEVER LE MOTEUR DE LA VIS SANS FIN POUR FAIRE GLISSER L'ALLUMEUR HORS DE SON LOGEMENT.

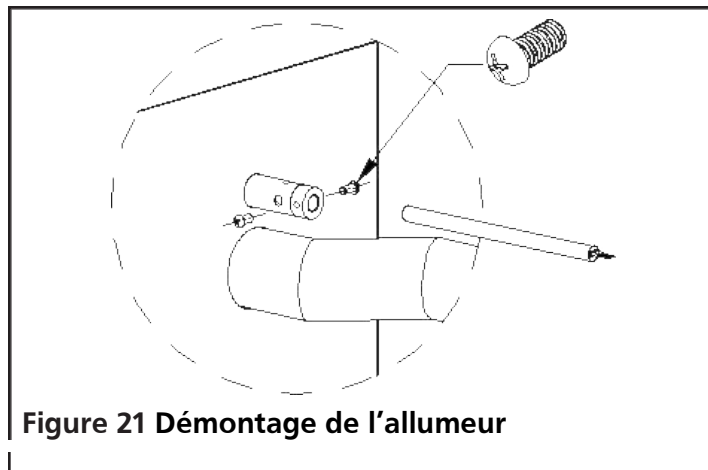


Figure 21 Démontage de l'allumeur

REPLACEMENTS : SYSTÈME DE TARIÈRE

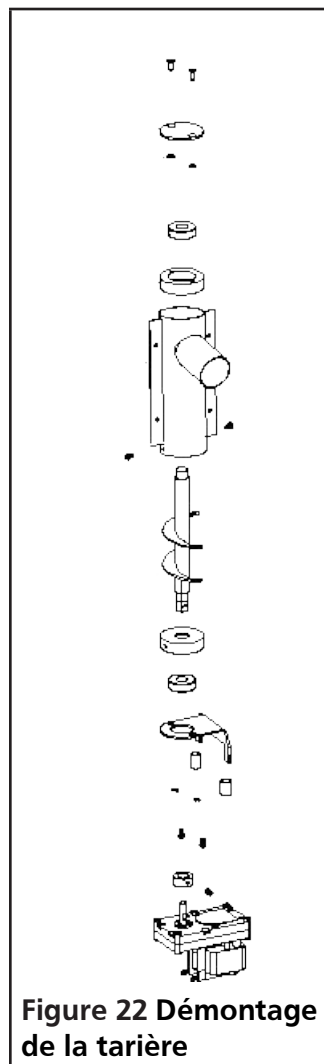


Figure 22 Démontage de la tarière

S'assurer que le poêle est refroidi. À partir de l'arrière à l'intérieur du poêle, la tarière peut être démontée en pièces détachées selon la séquence des pièces montrée à la Figure 22.

RETRAIT DES PANNEAUX ARRIÈRE ET LATÉRAUX



Figure 23 Démontage du dos et des côtés du modèle N130WTS

- Pour retirer les panneaux latéraux du modèle N130WTS, retirer les vis de fixation à l'arrière de l'unité et faire glisser le panneau vers l'arrière.
- Pour retirer la plaque arrière du modèle N130WTS, retirer les huit vis de fixation à l'arrière de l'unité.
- Pour retirer les panneaux latéraux du modèle N60WTS, retirer les vis de fixation à l'arrière de l'unité et retirer directement le panneau.
- Pour ouvrir le côté du modèle NBF66WTS, faire simplement pivoter le panneau latéral hors de ses aimants de retenue.

REPLACEMENTS : VENTILATEUR D'ÉCHANGEUR D'AIR CHAUD

Débrancher le poêle. Déconnecter tout câblage raccordé au ventilateur d'air chaud. Retirer les vis de fixation de la plaque de montage. Retirer lentement le ventilateur et le remplacer par le nouveau. Fixer la plaque à l'aide des vis et reconnecter les fils.



Figure 24 Ventilateur d'échangeur d'air chaud du modèle NBF66WTS

REPLACEMENTS : VENTILATEUR D'ÉCHAPPEMENT

Débrancher le poêle. Déconnecter tout câblage raccordé au ventilateur d'échappement. Retirer les écrous à oreilles maintenant la plaque de l'ensemble sans son logement. Retirer lentement le ventilateur et le remplacer par le nouveau. Fixer avec les écrous à oreilles et reconnecter les fils.

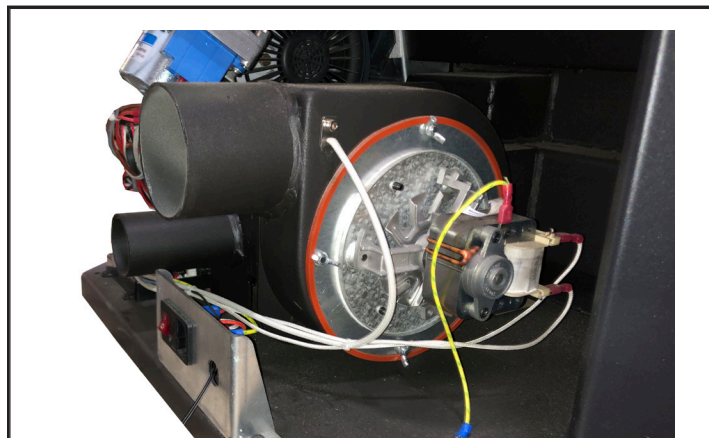


Figure 25 Ventilateur d'échappement du modèle NBF66WTS

COMPOSANTS DE SÉCURITÉ

1. Pressostat de vide : Un pressostat de vide est fixé derrière le bas de la porte gauche. Si une basse pression est créée par une fuite, l'ouverture de la porte du pot de combustion, une cheminée obstruée ou un tiroir de cendre non scellé, le pressostat éteindra le poêle comme mesure de précaution. Le code d'erreur E5 s'affichera à l'écran.
2. Thermostat de limite de température : Une protection de température élevée est placée sous le fond de la trémie. Si ce capteur est exposé à une température dépassant 85° C (185° F), le poêle sera éteint.
3. Thermostat de température élevée dans le tuyau d'échappement : Une protection de température élevée est placée sur le tuyau d'échappement. Si ce capteur est exposé à une température dépassant 40° C (104° F), le ventilateur de circulation d'air sera mis en marche.
4. Thermostat de basse température dans le tuyau d'échappement : Si le poêle se refroidit en bas de la consigne de température minimum, il s'éteindra. Ceci pourrait se produire si le poêle ne se réchauffe pas assez rapidement après l'allumage.
5. Fusible : Un élément fusible à l'arrière du dispositif protège contre les défauts et les risques d'électrocution. Voir Figure 26.



Figure 26
Fusible

HORAIRE DE NETTOYAGE DU POÊLE À GRANULES

Étape 1 :

Éteindre le poêle, et le laisser refroidir complètement.

Étape 2 :

Empoigner votre aspirateur à cendres pour enlever les cendres et les débris du pot à feu et dans la région environnante, ainsi que toutes les piles de cendres ou de débris que vous voyez.

Étape 3 :

Soulever et retirer le pot à feu – s’assurer que cette région soit libre de débris. Passer l’aspirateur sous le pot à feu, en prenant grand soin de passer l’aspirateur dans la voie d’aéragé sous le pot à feu.

Étape 4 :

Empoigner votre outil de nettoyage et le déplacer vers le pot à feu. Gratter pour éliminer tout débris hors du pot à feu, en s’assurant que tous les trous dans le pot à feu sont libérés de toute accumulation.

Étape 5 :

Essuyer la vitre. Ne jamais nettoyer la vitre avec de l’eau froide ou un nettoyeur alors que la vitre est encore chaude, puisque cela peut causer le craquelage du verre. La méthode que nous recommandons nécessite un chiffon ou une serviette de papier humide. L’appliquer sur les cendres froides, puis essuyer la vitre en commençant par le haut.

Étape 6 :

Certains modèles ont un tiroir pour les cendres. C’est alors une bonne idée de le vider à chaque fois que vous nettoyez votre poêle. Il est possible d’utiliser un aspirateur à cendres pour éliminer les cendres du tiroir.

Étape 7 :

Les modèles mini offrent des tiges de nettoyage. Vos tiges de nettoyage doivent être utilisées quotidiennement après que le poêle ait refroidi. Elles effectuent le nettoyage à l’intérieur de l’évacuation, là où les cendres et les débris peuvent s’accumuler. Si une accumulation excessive survient, votre poêle n’aura plus la bonne quantité d’air de combustion.

NETTOYAGE HEBDOMADAIRE

Étape 1 :

Nous recommandons de laisser le poêle manquer de granules; de sorte que la réserve soit vide. Passer l’aspirateur sur la réserve. Éliminer toute la poussière de la réserve, et inspecter votre réserve.

Étape 2

Les modèles de taille moyenne et grande comportent des plaques de conduit. Retirer la plaque de conduit centrale, en la glissant vers le haut. Après avoir glissé la plaque de conduit centrale et l’avoir sortie, il est possible de retirer les plaques de gauche et de droite. Passer l’aspirateur et brosser les plaques de conduit, gratter toute vitrification et accumulation. Vérifier les parois derrière les plaques de conduit pour détecter la présence de débris. S’assurer aussi de passer l’aspirateur derrière les plaques de conduit.

Étape 3 :

Le cas échéant, retirer le tiroir des cendres, et passer l’aspirateur sur le tiroir. Puis, brosser et gratter toutes les crasses et les accumulations. S’assurer que la région sous le tiroir soit elle aussi propre.

Étape 4 :

Inspecter la chute de la vis sans fin. S’il y a une accumulation de créosote ou de poussière de granule, nettoyer la chute avec une brosse à poils d’acier.

À TOUTES LES DEUX SEMAINES

Il faut vous rendre à l’extérieur, et inspecter visuellement le chapeau de terminaison sur l’évacuation. S’assurer qu’aucun animal tente de faire son nid, et vérifier la présence de toute accumulation de cendres sur la grille.

AU MOINS UNE FOIS PAR MOIS

Étape 1 :

Utiliser une brosse de nettoyage pour dégager les entrées d’air, localisées sous le pot à feu, qui vont vers l’arrière du poêle; le placement et la taille exactes peuvent varier d’un modèle à l’autre.

Étape 2 :

Pour les modèles de taille moyenne et grande avec des plaques de conduit, le port d’évacuation se trouve derrière une plaque de conduit, à gauche du pot à feu. S’assurer de bien nettoyer avec une brosse à poils d’acier, et d’y passer l’aspirateur.

Étape 3 :

Utiliser une brosse de nettoyage pour dégager les ports d'évacuation d'air dans votre chambre de combustion. Le nombre de ports d'évacuation varie d'un modèle à l'autre.

Pour les modèles mini : Ils comportent quatre ports d'évacuation en haut de la chambre de combustion.

Pour les modèles avec hublot à l'avant : Ils comportent deux ports d'évacuation en haut de la chambre de combustion. Il faut vérifier qu'ils soient dégagés pour assurer une circulation optimale de l'air dans la chambre de combustion.

À TOUTES LES DEUX (2) TONNES DE GRANULES, OU À TOUS LES DEUX MOIS

Inspecter le tee de nettoyage. Retirer toutes les cendres accumulées et resceller la connexion, au besoin.

ANNUELLEMENT

- Il est important de retirer le ventilateur de combustion; utiliser une brosse à poils d'acier sur la créosote, et passer l'aspirateur sur les débris. Cela est important pour la région au-dessous du ventilateur et sur le ventilateur même. Lors du retrait du ventilateur de combustion, si le joint d'étanchéité est usé, vous pouvez retirer le joint d'étanchéité et utiliser de la silicone rouge RTV pour la haute température pour créer un nouveau joint d'étanchéité pour le ventilateur.
- Vous pourriez devoir retirer le conduit de l'arrière du poêle, et utiliser une brosse à poils d'acier pour y passer aussi l'aspirateur pour le nettoyage.

- Il pourrait s'avérer nécessaire de recourir aux services d'un ramoneur de cheminée pour nettoyer votre système d'évacuation de manière régulière. Il faut porter une attention particulière sur les coudes, puisqu'ils peuvent accumuler de la créosote encore plus que les conduits droits.

- C'est aussi une bonne idée de nettoyer votre conduit d'entrée d'air annuellement.

Pour les modèles mini : Il est localisé derrière le panneau de droite. Il y a un couvercle d'entrée d'air qui doit être retiré, et la voie d'aéragage doit être nettoyée. Si les joints d'étanchéité sont endommagés ou usés, il est possible d'en fabriquer de nouveaux avec de la silicone rouge RTV pour la haute température.


Pour les modèles avec hublot à l'avant : Les voies d'aéragage comportent une ouverture derrière le tiroir des cendres. Le tiroir des cendres devra être retiré complètement, et les couvercles peuvent être retirés avec une clé Allen de 3 mm. Une brosse à poils d'acier et un aspirateur à cendres peuvent aussi être utilisés pour nettoyer les voies d'aéragage.

THIS PAGE INTENTIONALLY LEFT BLANK
ESTA PÁGINA INTENCIONALMENTE SE DEJA EN BLANCO
CETTE PAGE A ÉTÉ INTENTIONNELLEMENT LAISSÉE VIERGE

CODES D'ERREUR

REMARQUE :DANS L'ÉVENTUALITÉ D'UNE PANNE DE COURANT (CODE D'ERREUR E7), UNE FAIBLE QUANTITÉ DE FUMÉE POURRAIT ÊTRE DÉGAGÉE. CECI DURERA DE TROIS À CINQ MINUTES ET NE REPRÉSENTE PAS UN DANGER.

⚠ ATTENTION : S'IL S'EST PRODUIT UNE SURCHAUFFE (CODES D'ERREUR E5 ET E6), ALORS UNE INSPECTION, ENTRETIEN ET/OU UN NETTOYAGE DEVRA ÊTRE EFFECTUÉ AVANT QUE LE POÊLE PUISSE ÊTRE UTILISÉ DE FAÇON SÉCURITAIRE DE NOUVEAU.

Après avoir suivi les étapes de solution suggérées, actionner le bouton de confirmation  pour supprimer le code d'erreur de l'afficheur multi-fonction. Et puis effectuer la procédure de fonctionnement de la page 13 pour rallumer le poêle.

CODE D'ERREUR	CAUSE	SOLUTION
E1	La température d'échappement est en dessous de 4,44 à 7,22° C (40 à 45° F). Le fonctionnement a été interrompu et le chauffage arrêté.	<ol style="list-style-type: none"> 1. Vérifier la présence de grenailles dans la trémie. 2. Vérifier le fonctionnement du moteur de la tarière et que celle-ci alimente bien le pot de combustion.
E2	Échec d'allumage des grenailles dans le pot de combustion.	<ol style="list-style-type: none"> 1. S'assurer que le pot de combustion ne comporte pas de fragments de différentes tailles formés par des débris exposés à la chaleur élevée (plus commun lors d'utilisation de grenailles de moindre qualité). 2. S'assurer que le pot de combustion soit bien assis dans son support et qu'il n'y a pas d'obstruction devant l'allumeur. 3. S'assurer que le capteur de température de gaz d'échappement, adjacent au ventilateur de combustion, est en bon état et n'a pas subi de dommage. 4. S'assurer que l'allumeur n'est pas brisé.
E5	Basse pression détectée par le pressostat de vide (fixé au bas derrière la porte gauche).	<ol style="list-style-type: none"> 1. S'assurer que la porte et le tiroir de cendre (le cas échéant) sont bien fermés. 2. S'assurer que la canalisation d'échappement n'est pas obstruée ou qu'elle n'a pas de fuite. 3. S'assurer que le ventilateur de combustion est fonctionnel.
E6	Signal du capteur de température élevée (situé sous la trémie).	<ol style="list-style-type: none"> 1. S'assurer que le capteur n'est pas défectueux. 2. La température au niveau du capteur est trop élevée. Le poêle ne fonctionne pas correctement. Appelez le service à la clientèle.
E7	Panne de courant.	Actionner le bouton de Confirmation pour supprimer le code d'erreur. Rallumer le poêle. Vous pouvez décider de sauter par-dessus les cycles précédents et de passer directement au cycle de stabilisation, en actionnant et maintenant le bouton de sélection de taux durant 3 secondes.
E9	Capteur de trémie. La trémie manque de pellets.	<ol style="list-style-type: none"> 1. Remplissez les granulés dans la trémie.
ESC1	Capteur de température n° 1 court-circuité.	<ol style="list-style-type: none"> 1. Vérifier les fils et les points de raccordement. 2. Contactez le support technique pour obtenir de l'aide.
ESO1	Capteur de température n° 1 en circuit ouvert.	<ol style="list-style-type: none"> 1. Vérifier les fils et les points de raccordement. 2. Contactez le support technique pour obtenir de l'aide.
ESC2	Capteur de température n° 2 court-circuité.	<ol style="list-style-type: none"> 1. Vérifier les fils et les points de raccordement. 2. Contactez le support technique pour obtenir de l'aide.

CODES D'ERREUR (SUITE)

ESO2	Capteur de température n° 2 en circuit ouvert	<ol style="list-style-type: none"> Vérifier les fils et les points de raccordement. Contactez le support technique pour obtenir de l'aide.
ESC3	Capteur de température n° 3 court-circuité	<ol style="list-style-type: none"> Vérifier les fils et les points de raccordement. Contactez le support technique pour obtenir de l'aide.
ESO3	Capteur de température n° 3 en circuit ouvert	<ol style="list-style-type: none"> Vérifier les fils et les points de raccordement. Contactez le support technique pour obtenir de l'aide.

DÉPANNAGE

SYMPTÔME	CAUSE	SOLUTION
Le poêle ne s'allume pas.	Le commutateur d'alimentation n'est pas fermé.	Actionner le commutateur d'alimentation.
	Le cordon d'alimentation est débranché.	<ol style="list-style-type: none"> Insérer à fond le cordon d'alimentation dans le poêle S'assurer que la prise murale fournit une tension de 120 V.
	Le fusible est grillé.	Remplacer le fusible.
Le ventilateur ne tourne pas durant les cycles de nettoyage, d'alimentation et d'allumage.	Ceci est normal.	Ceci n'est pas un problème, le ventilateur ne se met en marche qu'au cycle de stabilisation.
Le ventilateur ne se met pas en marche durant le cycle de stabilisation.	Le poêle/panneau de commande n'est pas sous tension.	Vérifier l'alimentation et les câbles.
	Carte mère débranchée.	S'assurer que les connecteurs de la carte sont complètement insérés.
	Le capteur de basse température est défectueux.	Remplacer le capteur.
La tarière n'alimente pas le pot de combustion durant les cycles incluant le cycle d'allumage.	La trémie est vide.	Ajouter des grenailles dans la trémie.
	La tarière est coincée, obstruée ou déconnectée.	<ol style="list-style-type: none"> Débrancher l'unité de sorte qu'il ne se produise pas de démarrage inattendu et dégager le blocage de la tarière. Vérifier que la tarière ne soit pas bloquée. Si c'est le cas, dégager le produit causant le coincement. S'assurer que la vis de fixation de la tarière au moteur est bien serrée.

DÉPANNAGE (SUITE)

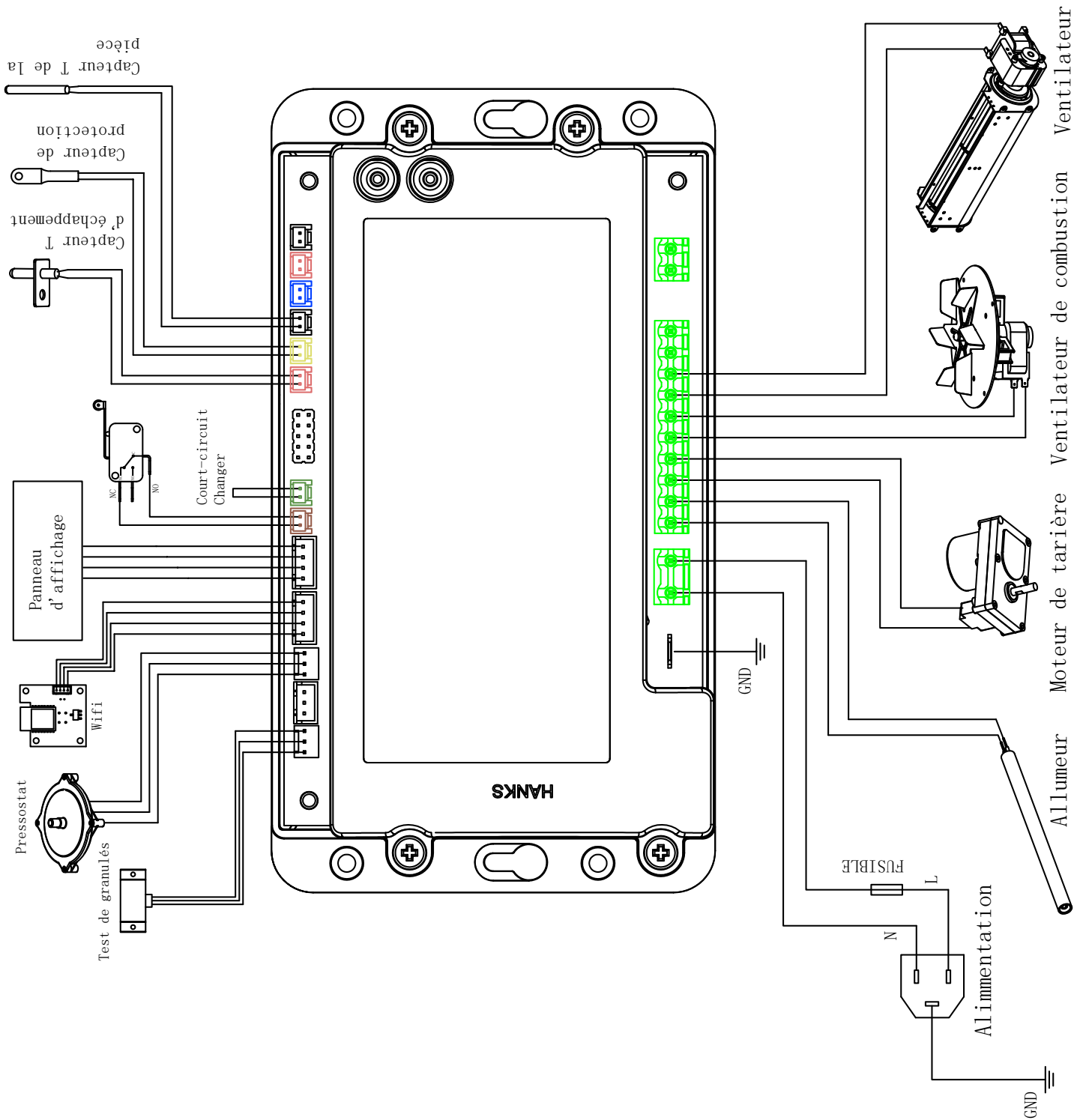
SYMPTÔME	CAUSE	SOLUTION
Le poêle s'éteint 15 minutes après avoir été allumé.	La trémie est à un bas niveau.	Vérifier la présence de suffisamment de grenailles dans la trémie.
	La tarière ne fonctionne pas.	<ol style="list-style-type: none"> Débrancher l'unité de sorte qu'il ne se produise pas de démarrage inattendu et dégager le blocage de la tarière. Vérifier que la tarière ne soit pas bloquée. Si c'est le cas, dégager le produit causant le coincement. S'assurer que la vis de fixation de la tarière au moteur est bien serrée.
	Le thermostat de température de 30 °C s'est déclenché.	<ol style="list-style-type: none"> S'assurer que les fils du thermostat sont bien connectés. Remplacer le thermostat de 30° C.
	Le pressostat à l'intérieur du poêle est défectueux.	Remplacer le pressostat.
Flamme orange, grenailles s'empilent dans le pot de combustion, dépôts de carbone sur la vitre.	Insuffisance d'air pour une combustion adéquate.	<ol style="list-style-type: none"> S'assurer que la bouche d'entrée d'air sur le devant est ouverte. S'assurer que les joints d'étanchéité de la fenêtre et de la porte sont en bon état. Vérifier que les canalisations d'entrée et de sortie d'air ne sont pas bloquées. Augmenter la superficie d'ouverture des canalisations. Augmenter la vitesse du ventilateur pour augmenter le taux de combustion. Veillez communiquer avec le fabricant pour assistance.
Trop de grenailles dans le pot de combustion. Les grenailles ne se consomment pas toutes entièrement.	La vitesse d'alimentation est plus grande que la capacité de combustion.	<ol style="list-style-type: none"> Augmenter la vitesse du ventilateur pour augmenter le taux de combustion.
Pas assez de grenailles dans le pot de combustion.	La vitesse d'alimentation n'est pas suffisante pour soutenir ce taux de combustion.	<ol style="list-style-type: none"> Diminuer la vitesse du ventilateur pour diminuer le taux de combustion.

DÉPANNAGE (SUITE)

SYMPTÔME	CAUSE	SOLUTION
La combustion s'arrête et le poêle interrompt son fonctionnement.	La trémie est vide.	Ajouter des grenailles dans la trémie.
	La tarière est coincée, obstruée ou déconnectée.	<ol style="list-style-type: none"> Débrancher l'unité de sorte qu'il ne se produise pas de démarrage inattendu et dégager le blocage de la tarière. Vérifier que la tarière ne soit pas bloquée. Si c'est le cas, dégager le produit causant le coincement. S'assurer que la vis de fixation de la tarière au moteur est bien serrée.
	La vitesse d'alimentation n'est pas suffisante pour soutenir ce taux de combustion.	<ol style="list-style-type: none"> Diminuer la vitesse du ventilateur pour diminuer le taux de combustion.
	Le thermostat de température de 30 °C s'est déclenché.	<ol style="list-style-type: none"> S'assurer que les fils du thermostat sont bien connectés. Remplacer le thermostat de 30° C.
La combustion s'arrête et le poêle interrompt son fonctionnement (suite).	La température réglée a été atteinte.	Ceci est le fonctionnement normal du mode ECO. Le poêle se remettra automatiquement en fonction lorsque la température de la pièce descendra en-dessous de la demande programmée.
Le ventilateur de circulation d'air demeure en fonction après que le poêle a cessé de chauffer et se soit refroidi.	Le thermostat de température de 30 °C s'est déclenché.	<ol style="list-style-type: none"> S'assurer que les fils du thermostat sont bien connectés. Remplacer le thermostat de 30° C.
Le poêle fournit un volume trop faible d'air insuffisamment chauffé.	Le combustible est inadéquat.	Utiliser des grenailles spécifiées dans le présent manuel.
	La vitesse du ventilateur de circulation d'air chaud est à un réglage trop bas ou le fonctionnement du ventilateur est compromis.	<ol style="list-style-type: none"> Si le ventilateur est défectueux, remplacer le ventilateur. Si la carte de commande du ventilateur est défectueuse, remplacer la carte.
	Les tubes de l'échangeur de chaleur sont sales.	Nettoyer les tubes de l'échangeur de chaleur.

SCHÉMA DE CÂBLAGE

REMARQUE : SI DES FILS QUELCONQUES DOIVENT ÊTRE REMPLACÉS ILS DEVRONT CORRESPONDRE AUX SPÉCIFICATIONS DE CÂBLAGE ORIGINAL DE TEMPÉRATURE NOMINALE DE 105 C AVEC ISOLANT DE CLASSE DE 600 V

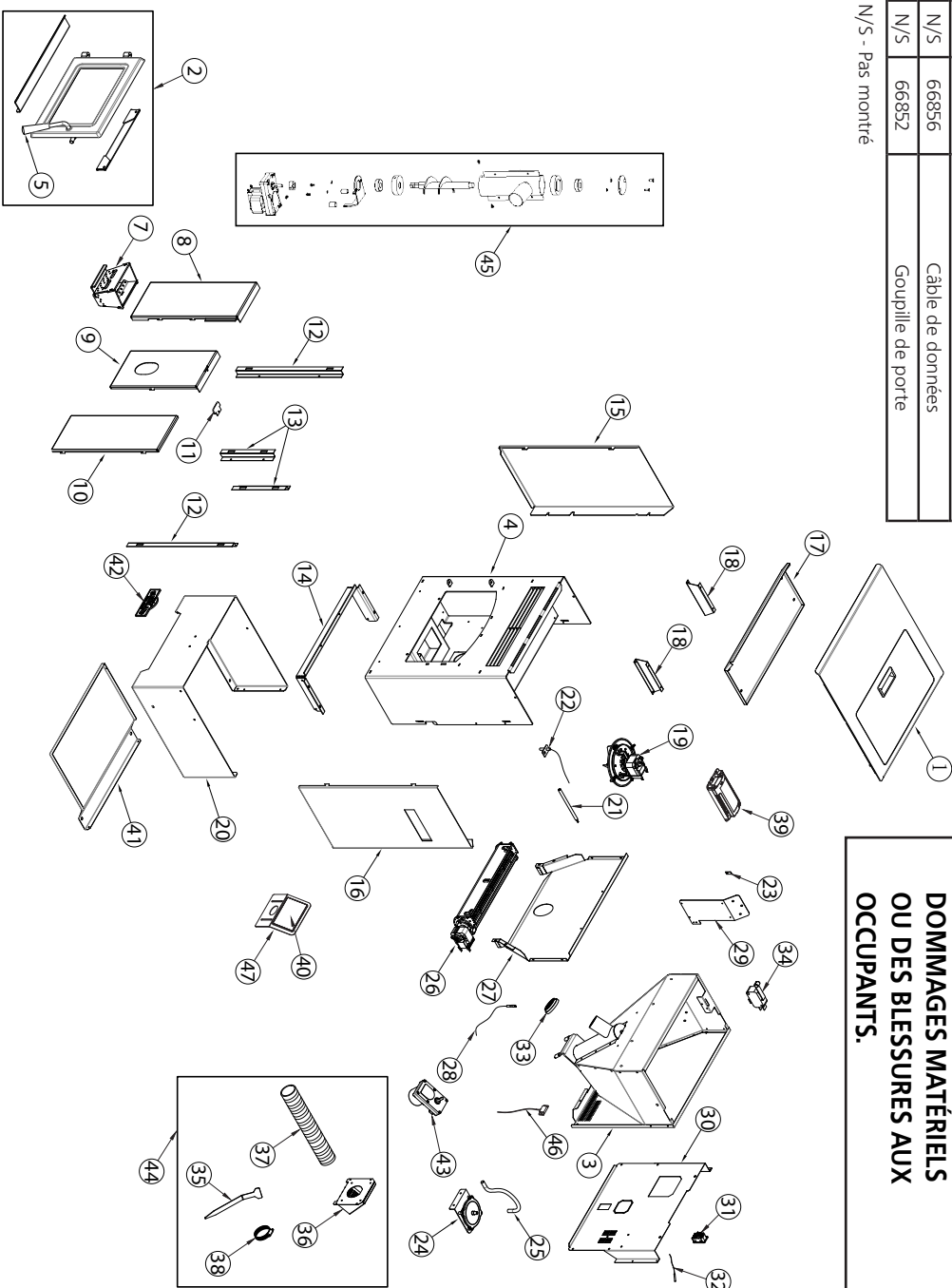


PIÈCES DE SERVICE MODÈLE N60WTS

N°	N° de pièce	DESCRIPTION
1	66623	Le couvercle supérieur
2	66624	Porte assemblée
3	n / a	Hopper
4	n / a	Corps principal
5	66603	Poignée de porte
7	66625	Pot de feu
8	66931	Conseil de combustion - gauche
9	66933	Conseil de combustion au milieu
10	66932	Panneau De Conduit De Droite
11	n / a	Plaque de cheminée supérieure
12	n / a	Conduit de fumée plaque longue
13	n / a	Conduit de cheminée fixe court
14	n / a	Piédestal plaque fixe
15	66626	Panneau latéral gauche
16	66627	Panneau latéral droit
17	n / a	Plaque d'isolation thermique
18	n / a	Plaque de support d'isolation
19	66607	Souffleur à combustion
20	n / a	Plaque de piédestal
21	66608	Allumeur
22	66609	Capteur d'échappement
23	n / a	Vis de fixation
24	66628	Commutateur de vide
25	66629	Tube de silicone de commutateur de vide
26	66630	Ventilateur de circulation
27	n / a	Couverture d'isolation de chambre
28	66613	Capteur de sécurité de la trémie
29	n / a	Plaque fixe de la carte mère
30	66631	Capot arrière
31	66615	Prise de courant
32	66616	Capteur de pièce
33	66622	Joint détaché en caoutchouc silicone
34	66617	Commutateur de couvercle de trémie
35	66855	Outil de nettoyage (voir n 44)
36	n / a	Ventilation d'admission d'air frais (voir n 45)
37	n / a	Tube d'expansion en aluminium (voir n 45)
38	n / a	Pince (voir n 45)
39	66661	Carte mère
40	66702	Écran tactile

N°	N° de pièce	DESCRIPTION
41	n / a	Plaque intérieure de piédestal
42	n / a	Plaque signalétique
43	66621	Moteur de tarrière
44	66659	Kit d'accessoires
45	66660	Assemblée de la tarrière
46	66701	Capteur de trémie
47	66837	Support d'écran tactile
N/S	66854	Cordon d'alimentation
N/S	66856	Câble de données
N/S	66852	Goupille de porte

N/S - Pas montré



REMARQUE : LES PIÈCES NE SONT PAS TOUTES EN MAGASIN. POUR TOUTE QUESTION, COMMUNIQUEZ AVEC LE FABRICANT.

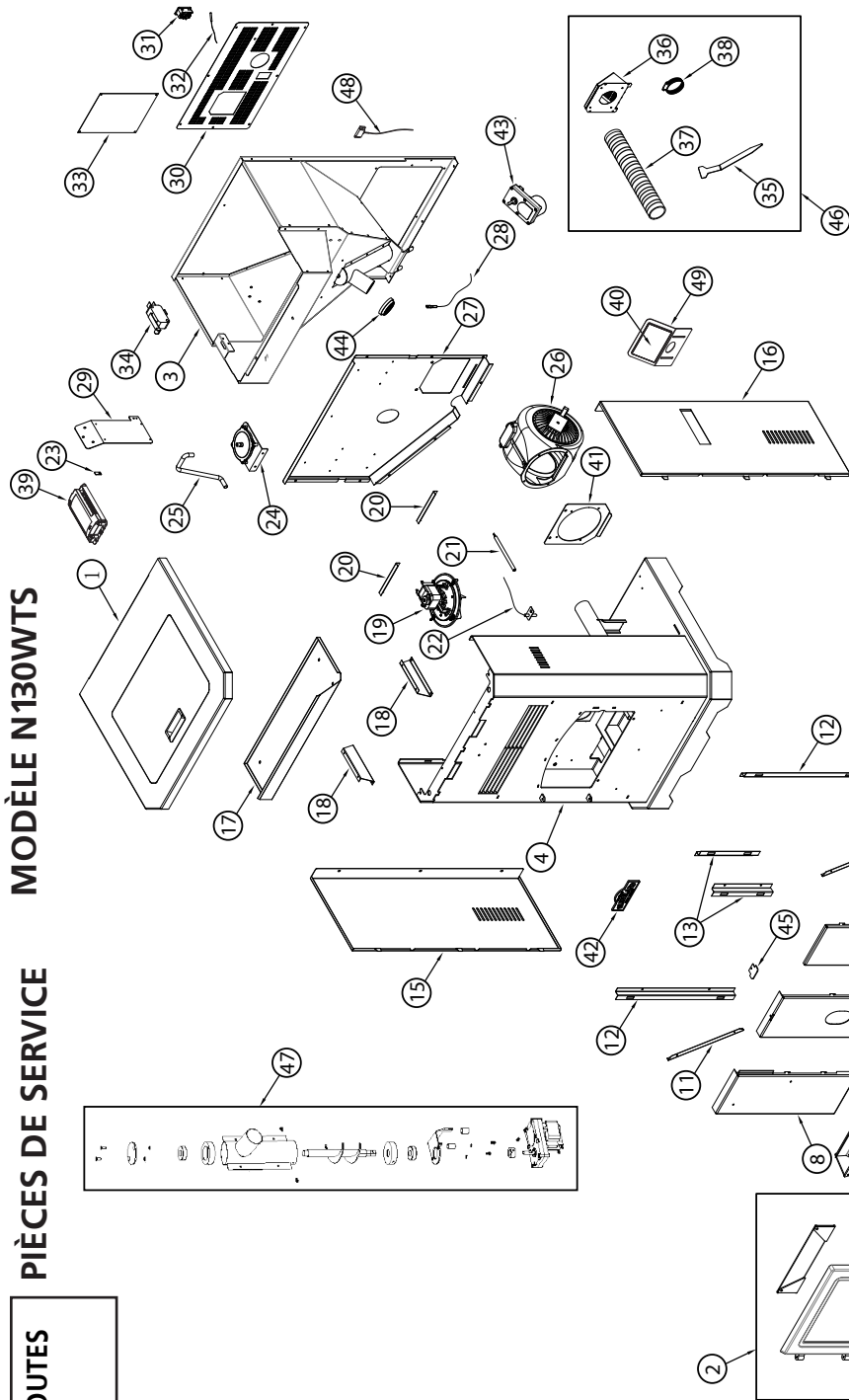
⚠ AVERTISSEMENT : NE PAS POSITIONNER LES PIÈCES SELON CES SCHEMAS OU NE PAS UTILISER EXCLUSIVEMENT LES PIÈCES SPÉCIFIQUEMENT APPROUVÉES POUR CE POËLE POURRAIT RÉSULTER EN DES DOMMAGES MATÉRIELS OU DES BLESSURES AUX OCCUPANTS.

REMARQUE : LES PIÈCES NE SONT PAS TOUTES EN MAGASIN. POUR TOUTE QUESTION, COMMUNIQUEZ AVEC LE FABRICANT.

AVERTISSEMENT : NE PAS POSITIONNER LES PIÈCES SELON CES SCHEMAS OU NE PAS UTILISER EXCLUSIVEMENT LES PIÈCES SPÉCIFIQUEMENT APPROUVÉES POUR CE POÊLE POURRAIT RÉULTER EN DES DOMMAGES MATÉRIELS OU DES BLESSURES AUX OCCUPANTS.

PIÈCES DE SERVICE

MODÈLE N130WTS



N°	N° de pièce	DESCRIPTION
1	66601	Le couvercle supérieur
2	66602	Porte assemblée
3	n / a	Hopper
4	n / a	Corps principal
5	66603	Poignée de porte
7	66604	Pot de feu
8	66931	Conduit de fumée gauche
9	66862	Plaque De Conduit
10	66932	Conduit de fumée à droite
11	n / a	Renfort de la cheminée
12	n / a	Conduit de fumée plaque longue
13	n / a	Conduit de cheminée fixe court
15	66605	Panneau latéral gauche
16	66606	Panneau latéral droit
17	n / a	Panneau isolant thermique
18	n / a	Plaque de support d'isolation
19	66607	Souffleur à combustion
20	n / a	Plaque de renforcement
21	66608	Allumeur
22	66609	Capturateur d'échappement
23	n / a	Vis de terre
24	66610	Commutateur de vide
25	66611	Tube de silicone
26	66612	Ventilateur de circulation
27	n / a	Couverture d'isolation de chambre
28	66613	Capturateur de sécurité de la trémie
29	n / a	Plaque fixe de la carte mère

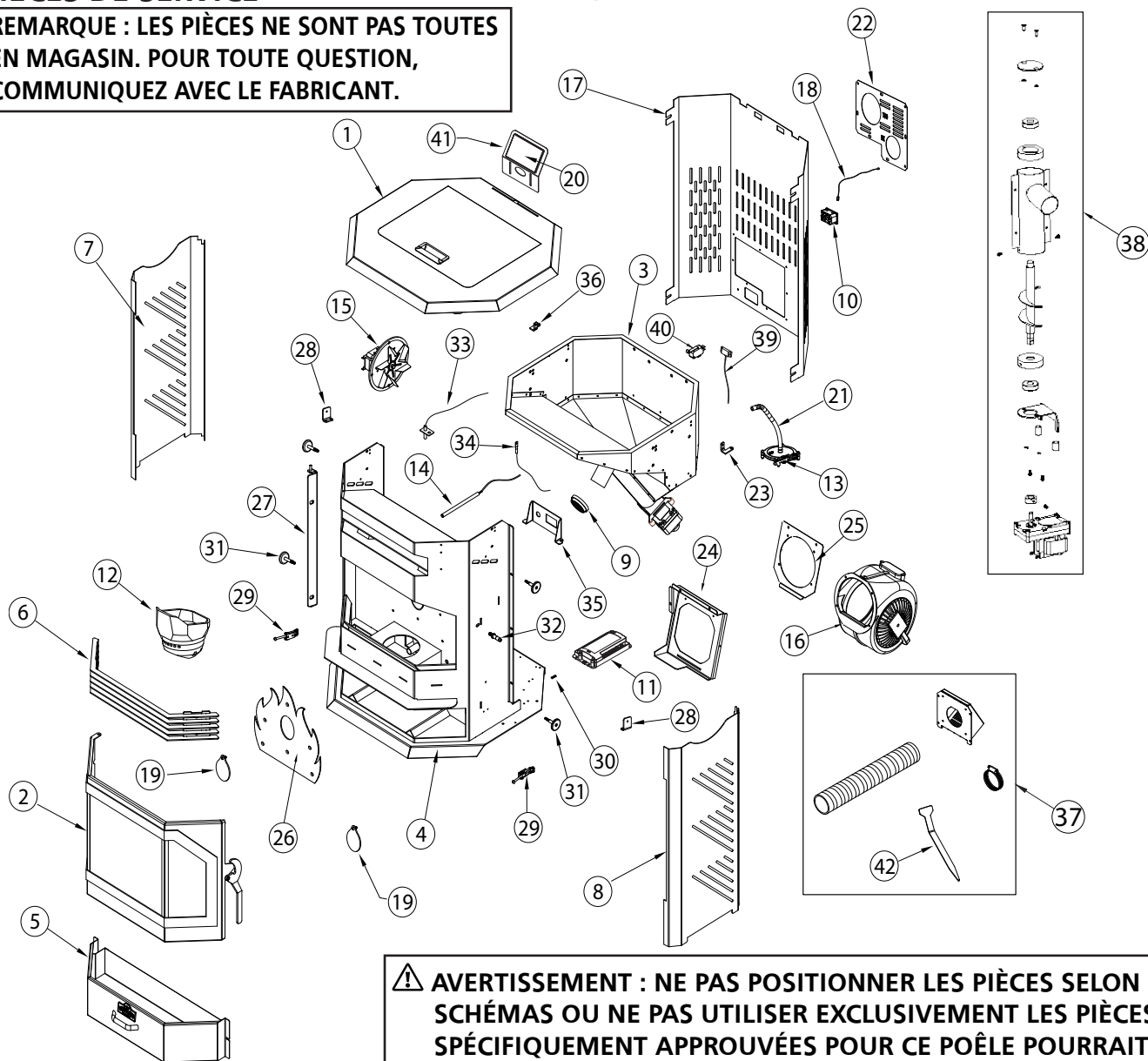
N°	N° de pièce	DESCRIPTION
30	66614	Capot arrière
31	66615	Prise de courant
32	66616	Capturateur de pièce
33	n / a	Étiquette de notation
34	66617	Commutateur de couvercle de trémie
35	66855	Outil de nettoyage (voir n 46)
36	n / a	Ventilation d'admission d'air frais (voir n 47)
37	n / a	Tube d'expansion en aluminium (voir n 47)
38	n / a	Pince (voir n 47)
39	66662	Carte mère
40	66702	Écran tactile
41	66620	Plaque fixe ventilateur

N°	N° de pièce	DESCRIPTION
42	n / a	Plaque signalétique
43	66621	Moteur de tarière
44	66622	Joint d'étanchéité en caoutchouc silicone
45	n / a	Plaque de cheminée supérieure
46	66659	Kit d'accessoires
47	66660	Assemblée de la vis
48	66701	Capturateur de trémie
49	66837	Support d'écran tactile
N/S	66854	Cordon d'alimentation
N/S	66856	Câble de données
N/S	66852	Goupille de porte

N/S - Pas montré

PIÈCES DE SERVICE MODÈLE NBF66WTS

REMARQUE : LES PIÈCES NE SONT PAS TOUTES EN MAGASIN. POUR TOUTE QUESTION, COMMUNIQUEZ AVEC LE FABRICANT.



⚠ AVERTISSEMENT : NE PAS POSITIONNER LES PIÈCES SELON CES SCHÉMAS OU NE PAS UTILISER EXCLUSIVEMENT LES PIÈCES SPÉCIFIQUEMENT APPROUVÉES POUR CE POÊLE POURRAIT RÉSULTER EN DES DOMMAGES MATÉRIELS OU DES BLESSURES AUX OCCUPANTS.

N°	N° de pièce	DESCRIPTION
1	66632	Le couvercle supérieur
2	66633	Porte
3	n / a	Hopper
4	n / a	Corps principal
5	66634	Cendrier
6	n / a	Plaque décorative
7	66635	Panneau latéral gauche
8	66636	Panneau latéral droit
9	66622	Joint d'étanchéité en caoutchouc silicone
dix	66615	Prise de courant
11	66663	Carte mère
12	66638	Pot de feu
13	66639	Commutateur de vide
14	66640	Allumeur
15	66641	Souffleur à combustion
16	66612	Ventilateur de circulation
17	66642	Capot arrière

N°	N° de pièce	DESCRIPTION
18	66643	Capteur de pièce
19	n / a	Plaque d'étanchéité
20	66702	Écran tactile
21	66645	Tube de silicone de dispositif de pression
22	66646	Plaque d'étanchéité arrière
23	66647	Charnière de panneau latéral droit
24	66648	Support de soufflante
25	66620	Plaque fixe ventilateur
26	n / a	Plaque ignifuge
27	66649	Charnière de porte
28	66650	Couvercle Arrière Plaque Fixe
29	66651	Pièces de verrouillage pour cendrier
30	n / a	Vis de terre
31	66652	Aimant

N°	N° de pièce	DESCRIPTION
32	66653	Porte, loquet
33	66654	Capteur d'échappement
34	66655	Capteur de sécurité de la trémie
35	66656	Prise plaque fixe
36	66657	Charnière de panneau latéral gauche
37	66659	Kit d'accessoires
38	66660	Assemblée de la tarière
39	66701	Capteur de trémie
40	66617	Commutateur de couvercle de trémie
41	66837	Support d'écran tactile
42	66855	Outil de nettoyage (voir n 37)
N/S	66854	Cordon d'alimentation
N/S	66856	Câble de données
N/S	66859	Goupille de porte

N/S - Pas montré

NOTES:



GUIDE DU PROPRIÉTAIRE ET INSTRUCTIONS D'UTILISATION

N° de modèle
N60WTS
N130WTS
NBF66WTS

LIRE LES INSTRUCTIONS ATTENTIVEMENT : Veuillez lire le présent manuel au complet avant d'installer et d'utiliser ce poêle à grenailles de bois. Ne pas suivre les directives comprises pourrait résulter en des dommages matériels ou des blessures graves, voire la mort. Ne pas laisser quiconque qui n'a pas lu les instructions du présent manuel assembler, allumer, régler ou faire fonctionner le poêle. Remiser ce manuel dans un endroit sûr pour référence ultérieure.

AVERTISSEMENT :

N'UTILISER QUE LES PIÈCES DE REMPLACEMENT DU FABRICANT. L'UTILISATION DE TOUTE AUTRE PIÈCE POURRAIT CAUSER DES BLESSURES OU LE DÉCÈS DE PERSONNES. LES PIÈCES DE REMPLACEMENTS SONT SEULEMENT DISPONIBLES DIRECTEMENT DE LA MANUFACTURE ET DOIVENT ÊTRE INSTALLÉES PAR UNE AGENCE DE SERVICE QUALIFIÉE.

RENSEIGNEMENTS POUR COMMANDES DE PIÈCES :

ACHAT : LES ACCESSOIRES PEUVENT ÊTRE ACHETÉS EN TOUT TEMPS DE TOUT DÉPOSITAIRE GRAND TETON LOCAL OU DIRECTEMENT DE LA MANUFACTURE.

POUR RENSEIGNEMENTS CONCERNANT LE SERVICE : Veuillez composer le numéro sans frais 1-866-740 2497/1-800-251-0001 • Fins de semaine/après les heures d'ouverture 423-488-6316 • grandtetoncollection.com

Nos heures d'ouverture sont de 8:00 h à 17:00 h HNE du lundi au vendredi.

Dans toutes les communications, veuillez indiquer le numéro de modèle, la date d'achat et une description du problème.

GARANTIE LIMITÉE :

Enerco Group, Inc. (EGI) garantit les poêles à grenailles de bois Grand Teton être libres de défauts de matériaux et de main-d'œuvre au moment de la livraison. Après l'installation, si des composants couverts sont trouvés présenter des défauts de matériau ou de main-d'œuvre durant la période de couverture applicable, alors la Société, à sa propre option, réparera ou remplacera les produits retournés par l'acheteur à l'atelier, tous frais de transport payés d'avance, durant la période de garantie applicable, les pièces trouvées défectueuses. La période de garantie des composants couverts est définie dans le tableau suivant :

Composants couverts	Période de garantie (pièce seulement, main-d'œuvre non comprise)
Électriques	1 an
Pièces métalliques (excluant le pot de combustion)	5 ans

Si une pièce est endommagée ou manquante, appelez notre Service de soutien technique au 1-866-740-2497/1-800-251-0001.

Adresser toute demande de compensation de garantie à : Service Department, Enerco Group, Inc., 4560 W. 160TH ST., CLEVELAND, OHIO 44135 U.S.A. Indiquez votre nom, adresse et numéro de téléphone, le numéro de modèle et le numéro de série de votre produit et décrivez les détails concernant la demande de compensation. Veuillez également nous indiquer la date d'achat ainsi que les nom et adresse du dépositaire où vous avez acheté votre produit.

Ce qui suit est la description complète de la responsabilité de la Société. Aucune autre garantie explicite ou implicite n'est applicable. Particulièrement, aucune garantie de concordance spécifique à une application ne s'applique ainsi que toute garantie de commercialité. En aucun cas la Société ne sera responsable de délais dus à des imperfections ou dommages de conséquence ainsi que pour des frais de toute nature sauf si consentis par écrit. Les réparations ou remplacements seront le remède exclusif pour tout bris de garantie. Il n'y a pas de garantie contre les infractions de droits ou de garantie implicite de ressortissants d'affaires. La présente garantie ne s'appliquera à aucun produit qui a été réparé ou modifié hors de l'usine sous tout aspect qui selon notre opinion affecte la condition de fonctionnement. La présente garantie ne couvre pas les dommages ou bris dus à un mauvais usage, abus d'utilisation ou modifications. La garantie ne couvre pas la peinture de finition, les vitres, joints d'étanchéité ou les briques réfractaires. La garantie ne couvre pas le pot de combustion. La garantie ne couvre aucun dommage de corrosion.

Certains États/provinces ne permettent pas l'exclusion ou la limite de dommages accessoires ou indirects, alors les exclusions ou limitations ci-dessus pourraient ne pas s'appliquer dans votre cas. La présente garantie vous donne des droits juridiques particuliers et d'autres droits, variables d'un état/province à l'autre, pourraient s'appliquer.

Enerco Group, Inc. se réserve le droit d'apporter des modifications sur les couleurs, spécifications, accessoires, matériaux et modèles en tout temps sans préavis ou obligation.



Report Number : F23-240
ASTM E1509-22
CAN/ULC-S627:2023

Enerco Group Inc., 4560 W. 160TH ST., CLEVELAND, OHIO 44135 • 1-866-740-2497/1-800-251-0001
© 2024, Mr. Heater. Tous droits réservés

F36

INSTALLER: Leave this manual with the appliance.

CONSUMER: Save these Instructions for future reference.

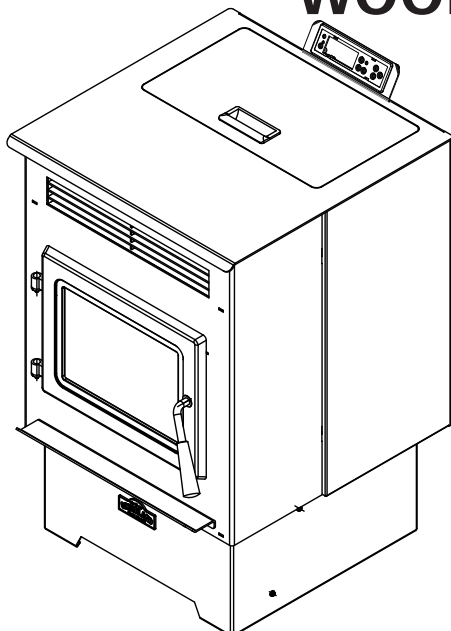


OPERATING INSTRUCTIONS AND OWNER'S MANUAL

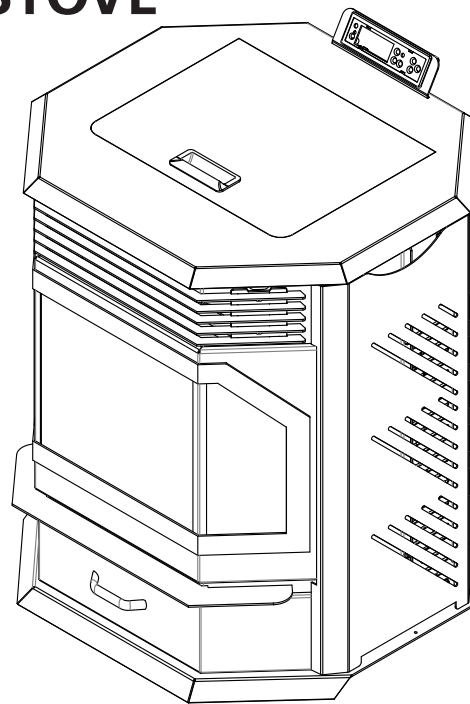
Model #
H80XL
H140XL
H3W80XL

READ INSTRUCTIONS CAREFULLY: Please read this entire manual before installation and use of this pellet fuel-burning room heater. Failure to follow these instructions could result in property damage, bodily injury or even death. Do not allow anyone who has not read these instructions to assemble, light, adjust or operate the stove. Place instructions in a safe place for future reference.

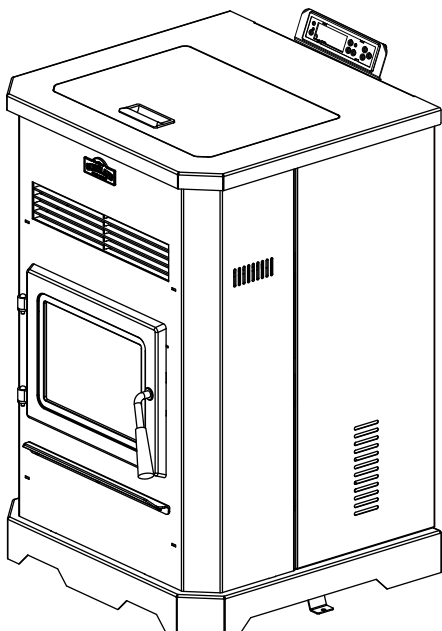
WOOD PELLET FIRE STOVE



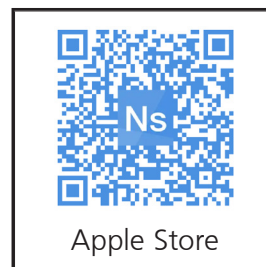
H80XL



H3W80XL



H140XL



Apple Store



Google Play Store

THE AUTHORITY HAVING JURISDICTION (SUCH AS MUNICIPAL BUILDING DEPARTMENT, FIRE DEPARTMENT, FIRE PREVENTION BUREAU, ETC.) SHOULD BE CONSULTED BEFORE INSTALLATION TO DETERMINE ANY NEED TO OBTAIN A PERMIT. OBSERVE ALL LOCAL BUILDING CODES.

Enerco Group Inc.

4560 West 160th st Cleveland, Ohio 44135 1-833-950-1184

66730 REV H

GENERAL HAZARD WARNING:

⚠ FAILURE TO COMPLY WITH THE PRECAUTIONS AND INSTRUCTIONS PROVIDED WITH THIS STOVE CAN RESULT IN DEATH, SERIOUS BODILY INJURY AND PROPERTY LOSS OR DAMAGE FROM HAZARDS OF FIRE, EXPLOSION, BURN, ASPHYXIATION, CARBON MONOXIDE POISONING, AND/OR ELECTRICAL SHOCK.

⚠ ONLY PERSONS WHO CAN UNDERSTAND AND FOLLOW THE INSTRUCTIONS SHOULD USE OR SERVICE THIS STOVE.

⚠ IF YOU NEED ASSISTANCE OR STOVE INFORMATION SUCH AS AN INSTRUCTIONS MANUAL, LABELS, ETC. CONTACT THE MANUFACTURER.

WARNING:

⚠ FIRE, BURN, INHALATION, AND EXPLOSION HAZARD. KEEP SOLID COMBUSTIBLES, SUCH AS BUILDING MATERIALS, PAPER OR CARDBOARD, A SAFE DISTANCE AWAY FROM THE STOVE AS RECOMMENDED BY THE INSTRUCTIONS NEVER USE THE STOVE IN SPACES WHICH DO OR MAY CONTAIN VOLATILE OR AIRBORNE COMBUSTIBLES, OR PRODUCTS SUCH AS GASOLINE, SOLVENTS, PAINT THINNER, DUST PARTICLES OR UNKNOWN CHEMICALS.

⚠ **WARNING:** This product can expose you to chemicals including lead and lead compounds, which are known to the State of California to cause cancer and birth defects or other reproductive harm. For more information visit www.P65Warnings.ca.gov

Contents

SPECIFICATIONS.....3

GETTING STARTED.....4

SAFETY PRECAUTIONS.....5

CLEARANCE TO COMBUSTIBLES.....6

UNPACKING & ASSEMBLY.....7

INSTALLATION.....8

ADDITIONAL MOBILE HOME REQUIREMENTS ..12

OPERATION.....14

SMART STOVE WIFI CONNECTION.....16

WIFI CONTROLS.....17

MULTI FUNCTION CONTROLS.....18

MANUAL STOVE OPERATION.....19

MAINTENANCE.....20

CLEANING SCHEDULE.....24

TROUBLESHOOTING.....27

WIRING DIAGRAM.....30

SERVICE PARTS.....31

FCC INFORMATION

CAUTION: Changes or modifications not expressly approved by the party responsible for compliance could void the user’s authority to operate the equipment.

NOTE: This equipment has been tested and found to comply with the limits for a Class B digital device, pursuant to part 15 of the FCC Rules. These limits are designed to provide reasonable protection against harmful interference in a residential installation. This equipment generates, uses and can radiate radio frequency energy and, if not installed and used in accordance with the instructions, may cause harmful interference to radio communications. However, there is no guarantee that interference will not occur in a particular installation. If this equipment does cause harmful interference to radio or television reception, which can be determined by turning the equipment off and on, the user is encouraged to try to correct the interference by one or more of the following measures:

- Reorient or relocate the receiving antenna.
- Increase the separation between the equipment and receiver.
- Connect the equipment into an outlet on a circuit different from that to which the receiver is connected.
- Consult the dealer or an experienced radio/TV technician for help.

SPECIFICATIONS

Model #	H80XL	H140XL	H3W80XL
DIMENSIONS			
Stove Weight [LBS (kg)]	177 (80)	202 (97)	231 (105)
Stove Dimensions LxWxH [in (cm)]	23.5" x 21.75 " x 39.25" (59.7 x 55.2 x 99.7)	24.0" x 24.5 " x 39.5" (61.0 x 62.2 x 100.3)	26.18" x 24.53 " x 32" (66.5 x 62.3 x 81.3)
Air Inlet Pipe Diameter [in (mm)]	2" (50)	2" (50)	2" (50)
Air Outlet Pipe Diameter [in (mm)]	3" (80)	3" (80)	3" (80)
Pellet Hopper Capacity [LBS (kg)]	80 (36.3)	140 (63.5)	80 (36.3)
OPERATION SPECIFICATIONS			
Fuel	Wood Pellet	Wood Pellet	Wood Pellet
Heats approximately ** [ft ² (m ²)]	1500 - 2200 (139 - 204)	2000 - 3000 (186 - 279)	1800 - 2500 (167 - 232)
Carbon Monoxide Produced (g/min)	0.32 on High 0.18 on Low	0.20 on High 0.36 on Low	0.11 on High 0.21 on Low
Pellet Consumption Rate Low [LBS/HR (kg/HR)]	1.59 (0.72 - Dry)	1.98 (0.90 - Dry)	1.74 (0.79 - Dry)
Pellet Consumption Rate Medium [LBS/HR (kg/HR)]	2.03 (0.92 - Dry)	2.82 (1.28 - Dry)	2.36 (1.07 - Dry)
Pellet Consumption Rate High [LBS/HR (kg/HR)]	4.37 (1.98 - Dry)	4.83 (2.19 - Dry)	4.67 (2.12 - Dry)
Stove Efficiency	84%	77%	80%
Heat Output Rate Low [BTU/HR (kW)]	10,771 (3.16)	12,746 (3.74)	11,624 (3.41)
Heat Output Rate Medium [BTU/HR (kW)]	13,910 (4.08)	18,088 (5.30)	15,511 (4.55)
Heat Output Rate High [BTU/HR (kW)]	30,124 (8.83)	29,501 (8.65)	30,173 (8.84)
ELECTRICAL SPECIFICATIONS			
Electrical Supply Requirements [Voltage / Frequency / Phase]	120V / 60 Hz / Single	120V / 60 Hz / Single	120V / 60 Hz / Single
Electric Current During Lighting Phase [Amperes]	3.3	3.3	3.3
Auger Motor R.P.M.	2.4	2.4	2.4

This manual describes the installation and operation of the brand "Master Forge" wood pellet fire stove. This stove meets the applicable U.S. Environmental Protection Agency's emission limits for pellet fired heaters sold after 2020. Under specific test conditions these stoves have been shown to deliver heat at rates ranging from:

H80XL: 10,771 to 30,124 Btu/hr

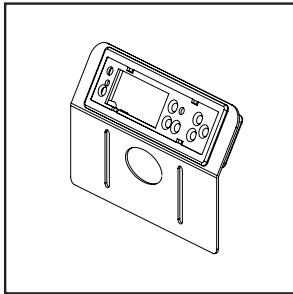
H140XL: 12,746 to 29,501 Btu/hr

H3W80XL: 11,624 to 30,173 Btu/hr

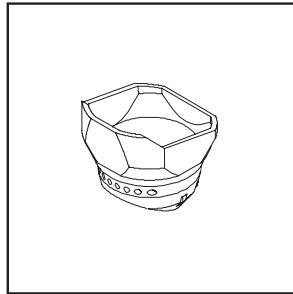
*BTU input/output will vary, depending on the brand of fuel you use in your Stove.

** Depending on insulation rating of room and climate zone. Variations in climate and location affect attributes such as stove efficiency and CO produced.

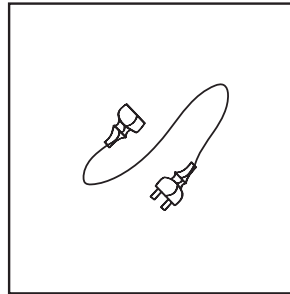
GETTING STARTED



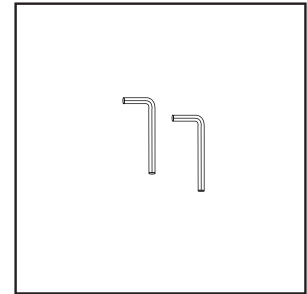
Display Panel



Firepot

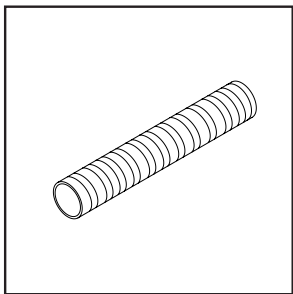


Main Power Cord

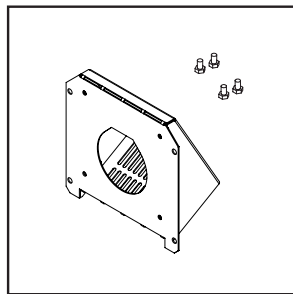


Allen Wrenches (x2)

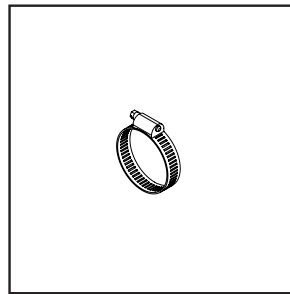
ACCESSORY KIT



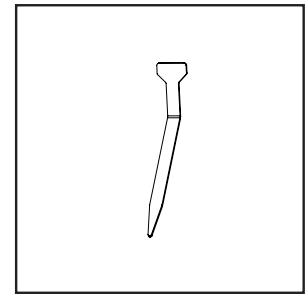
Flex Hose



Termination Cap and
Screws (x4)



Hose Clamp



Cleaning Tool

WHAT YOU'LL NEED (NOT SUPPLIED)

TOOLS REQUIRED

- Tape Measure
- Phillips Screwdriver or Comparable Electric Screw Driver & Drill Bit.
- Stud Finder
- Plumb Bob
- Reciprocating Saw
- High Temperature Silicone or High Temperature Sealant or High Temperature Flue Tape
- Floor Protection (see "FLOORING SPACE" and "FLOORING MATERIAL" on page 6)
- Manufactured venting of 3" (80mm) in diameter of type "L" or "PL" which is listed to UL 641, ULC S609 (Standard for 650 C Factory-Built Chimneys), or ULC/ORD C441. Install per chimney manufacturer's instructions (see page 9)

SAFETY EQUIPMENT (RECOMMENDED)

- Safety Glasses
- Gloves
- Closed-toed Shoes
- A friend (the stove is heavy, do not attempt to move the stove without assistance)

BATTERY INFORMATION

The remote that is shipped with your stove comes with two (2) AAA Batteries installed.

IMPORTANT:

- Non-rechargeable batteries are not to be recharged.
- Batteries are to be inserted with the correct polarity.
- Exhausted batteries are to be removed from the remote.
- Caution for ingestion.

⚠ WARNING: DO NOT DISPOSE OF BATTERIES IN FIRE. BATTERIES MAY EXPLODE OR LEAK.

⚠️ WARNING

- **INGESTION HAZARD:** This product contains a button cell or coin battery.
- **DEATH** or serious injury can occur if ingested.
- A swallowed button cell or coin battery can cause **Internal Chemical Burns** in as little as **2 hours**.
- **KEEP** new and used batteries **OUT OF REACH** of **CHILDREN**
- **Seek immediate medical attention** if a battery is suspected to be swallowed or inserted inside any part of the body.



- This product contains a lithium button/coin cell battery. If a new or used lithium button/coin cell battery is swallowed or enters the body, it can cause severe internal burns and can lead to death in as little as 2 hours. Always completely secure the battery compartment. If the battery compartment does not close securely, stop using the product, remove the batteries, and keep it away from children. If you think batteries might have been swallowed or placed inside any part of the body, seek immediate medical attention. Call a local poison control center for treatment information.
- Remove and immediately recycle or dispose of used batteries according to local regulations and keep away from children. Do NOT dispose of batteries in household trash or incinerate. Even used batteries may cause severe injury or death.
- Non-rechargeable batteries are not to be recharged. Do not force discharge, recharge, disassemble, heat above (manufacturer's specified temperature rating) or incinerate. Doing so may result in injury due to venting, leakage or explosion resulting in chemical burns.
- Ensure the batteries are installed correctly according to polarity (+ and -). Do not mix old and new batteries, different brands or types of batteries, such as alkaline, carbon-zinc, or rechargeable batteries. Remove and immediately recycle or dispose of batteries from equipment not used for an extended period of time according to local regulations.

SAFETY PRECAUTIONS

HAVE AN ESTABLISHED PLAN FOR WHAT TO DO IN THE EVENT OF A FIRE. CONTACT YOUR LOCAL FIRE AUTHORITY TO ACQUIRE INFORMATION AND A PLAN FOR WHAT TO DO IN THE EVENT OF A CHIMNEY FIRE.

⚠️ WARNING: DO NOT INSTALL IN SLEEPING ROOM.

⚠️ CAUTION: HANDLE STOVE WITH CARE. AVOID STRIKING, SCRATCHING OR SLAMMING GLASS ASSEMBLIES. DO NOT OPERATE WITH CRACKED, BROKEN OR SCRATCHED GLASS.

⚠️ WARNING: HOT WHILE IN OPERATION. KEEP CHILDREN, CLOTHING AND FURNITURE AWAY. CONTACT MAY CAUSE SKIN BURNS.

⚠️ WARNING: NEVER LEAVE CHILDREN NEAR THE STOVE UNATTENDED WHILE THE STOVE IS OPERATING.

⚠️ WARNING: DO NOT OVERFIRE. OVERFIRING THE APPLIANCE MAY CAUSE A FIRE. IF THE UNIT OR CHIMNEY CONNECTOR GLOWS, YOU ARE OVERFIRING.

⚠️ WARNING: THIS WOOD HEATER HAS A MANUFACTURER-SET MINIMUM LOW BURN RATE THAT MUST NOT BE ALTERED. IT IS AGAINST FEDERAL REGULATIONS TO ALTER THIS SETTING OR OTHERWISE OPERATE THIS WOOD HEATER IN A MANNER INCONSISTENT WITH OPERATING INSTRUCTIONS IN THIS MANUAL.

CARBON MONOXIDE

WARNING:

⚠️ WHEN USED WITHOUT ADEQUATE COMBUSTION AND VENTILATION AIR, THIS STOVE MAY GIVE OFF EXCESSIVE CARBON MONOXIDE, AN ODORLESS, POISONOUS GAS.

WARNING:

⚠️ EARLY SIGNS OF CARBON MONOXIDE POISONING RESEMBLE THE FLU, WITH HEADACHE, DIZZINESS AND/OR NAUSEA. IF YOU HAVE THESE SIGNS, STOVE MAY NOT BE WORKING PROPERLY. GET FRESH AIR AT ONCE! HAVE STOVE SERVICED.

SOME PEOPLE - PREGNANT WOMEN, PERSONS WITH HEART OR LUNG DISEASE, ANEMIA, THOSE UNDER THE INFLUENCE OF ALCOHOL, THOSE AT HIGH ALTITUDES - ARE MORE AFFECTED BY CARBON MONOXIDE THAN OTHERS.

Regardless of how safe this stove is, every fuel burning appliance creates Carbon Monoxide. It is always a good plan to reduce risk to you and your loved ones as much as possible by installing a Carbon Monoxide detector. It is recommended to install monitors in areas that are expected to generate carbon monoxide such as heater fueling areas, pellet fuel bulk storage areas, or sheds containing hydronic heaters. Follow the installation, operation, & maintenance instructions provided by the manufacturer of your detector.

SMOKE DETECTORS

Have at least 1 smoke detector on each floor of your building. Follow the installation, operation, & maintenance instructions provided by the manufacturer of your detector. Avoid false alarms by placing the detector outside the immediate vicinity of the stove. Typically a good installation location for smoke detectors is near bedrooms.

FOR MORE SAFETY INFORMATION

For auxiliary information regarding pellet stove safety and operation information contact the National Fire Protection Association (NFPA) by mail at:

NFPA, Batterymarch Park, Quincy, MA 02269

or visit the NFPA website:

<https://www.nfpa.org/>

CLEARANCE TO COMBUSTIBLES

The following stated clearances represent the minimum distances between the stove and any other object. No objects should encroach into this space. This includes but is not limited to carpet, furniture, children, pets, clothing, fuel, or any other object. These clearances may only be reduced by means approved by the regulatory authority having jurisdiction.

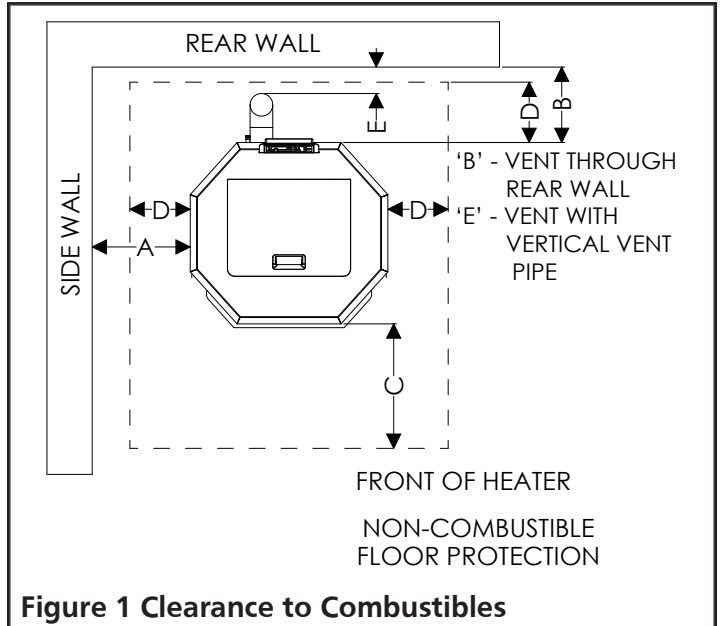


Figure 1 Clearance to Combustibles

	USA	CANADA
A	13" (330 mm)	13" (330 mm)
B	2" (51 mm)	2" (51 mm)
C	18" (457 mm)	18" (457 mm)
D	8" (203 mm)	8" (203 mm)
E	3" (76 mm)	3" (76 mm)

FLOORING SPACE & CLEARANCES

When installed on a combustible floor, non-combustible floor protection is required to:

- Cover the area beneath the stove and extend at least 18 inches (457 mm) to the front
- Cover the area at least 8 inches (203 mm) beyond each side of the room heater.
- Cover the area under the exhaust venting and 2 inches (50.8 mm) beyond each side.

Additionally, the wood pellet fire stove shall be positioned such that:

- It has at least 13" (330 mm) of clearance from the each side to the nearest body.

- It has at least 2" (51 mm) of clearance from the rear to the nearest body.
- Vertical runs of vent pipe must be at least 3" (76 mm) from any wall.

Finally, the area which the wood pellet fire stove is installed shall have a floor-to-ceiling distance of at least 84" (2134 mm).

FLOORING MATERIAL

Floor protection must be all of the following:

- Listed to UL 1618.
- At least 0.5" (13 mm) thick
- Constructed of non-combustible material.
- Have either:

Thermal resistance value R of $1.19 \frac{(\text{ft}^2)(\text{hr})(^\circ\text{F})}{\text{Btu}}$

Thermal conductivity value k of $0.84 \frac{(\text{Btu})(\text{inch})}{(\text{ft}^2)(\text{hr})(^\circ\text{F})}$

For assistance evaluating the suitability of substitute materials, the following equivalences of specifications and example below have been provided.

Thermal conductivity $k = \frac{\text{thickness}}{R} \left(\frac{(\text{Btu})(\text{inch})}{(\text{ft}^2)(\text{hr})(^\circ\text{F})} \text{ or } \frac{W}{(\text{m})(^\circ\text{K})} \right)$

Thermal conductance $C = \frac{1}{R} \left(\frac{(\text{Btu})}{(\text{ft}^2)(\text{hr})(^\circ\text{F})} \text{ or } \frac{W}{(\text{m}^2)(^\circ\text{K})} \right)$

Example: Required to protect floor with R value of $1.19 \frac{(\text{ft}^2)(\text{hr})(^\circ\text{F})}{\text{Btu}}$.

Evaluating merit of 2 inch (57 mm) thick brick with thermal conductivity $k = 4.16 \frac{(\text{Btu})(\text{inch})}{(\text{ft}^2)(\text{hr})(^\circ\text{F})}$ on top of 1/2 inch (6.3 mm) thick mineral board that has C value of $2.3 \frac{(\text{Btu})}{(\text{ft}^2)(\text{hr})(^\circ\text{F})}$.

Step 1. Calculate the R value of each floor material

$$R_{\text{BRICK}} = \frac{\text{thickness}}{k} = \frac{2.25}{4.16} = 0.54$$

$$R_{\text{BOARD}} = \frac{1}{C} = \frac{1}{2.3} = 0.434$$

Step 2. Add the equivalent R values for each floor material

$$R_{\text{BRICK}} + R_{\text{BOARD}} = 0.54 + 0.434 = 0.974$$

Step 3. This combined R value is **insufficient** and so more protection must be provided. For example, by using 2 layers of bricks:

$$R_{\text{BRICK}} + R_{\text{BRICK}} + R_{\text{BOARD}} = 0.54 + 0.54 + 0.434 = 1.514$$

Step 4. Because this combined R value is larger than the specification, this is a sufficient method for protecting the floor area underneath the stove.

UNPACKING

1. Remove heater from carton.
2. Remove all protective packaging applied to heater for shipment.
3. Check heater for any shipping damage. If any damage is found immediately contact the manufacturer at 1-833-950-1184.

⚠ CAUTION: DAMAGED PARTS MAY COMPROMISE SAFE OPERATION.

- **DO NOT INSTALL INCOMPLETE COMPONENTS.**
- **DO NOT INSTALL SUBSTITUTE COMPONENTS.**
- **DO NOT INSTALL DAMAGED COMPONENTS.**

4. Some components are packaged unattached from the stove in order to ensure their safety during shipping. Please find the protective packaging, likely inside the stove door, to proceed with assembly.

ASSEMBLY

STEP 1 - Display Panel

Insert the display panel into the top and rear of the stove. Be sure that the display panel screen is facing towards the front of the stove. Secure the screen using two of the provided screws.

STEP 2 - Display Panel Power Cord

This cord should be wrapped up near the top of the stove. Insert free end into the back of the display panel (see figure 16 on page 15). This wire should already be connected to the stove's power board. This connection can be checked behind the access plate at the bottom and rear of stove.

STEP 3 - Main Power Cord

The main power cord attaches to the stove at the exposed socket in the rear of the stove. Once any necessary assembly of the display panel screen is complete you may briefly plug your stove in and press red power button to ON to make sure that it functions properly before proceeding with installation. Turn OFF and unplug the stove once you confirm that the display panel works.

⚠ CAUTION: DO NOT LEAVE THE STOVE PLUGGED INTO ANY ELECTRICAL SUPPLY DURING ASSEMBLY OR INSTALLATION.

STEP 4 - Firepot

With the stove unplugged from any power supply, the firepot should be inserted into the stove so that it is securely positioned and also the hot surface igniter should be able to make physical contact with pellets that would be held in the firepot. See Figure 2 or 3.

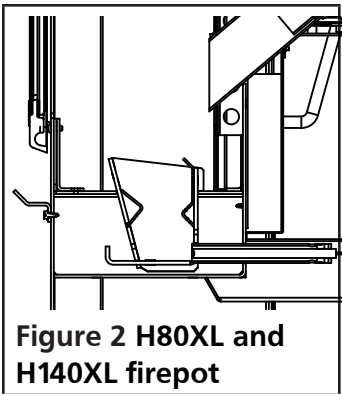


Figure 2 H80XL and H140XL firepot

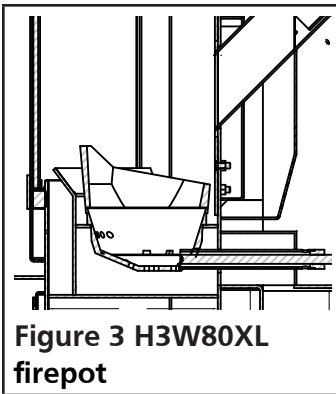


Figure 3 H3W80XL firepot

A cleaning tool is also packaged which facilitates safely cleaning the firepot perforations of debris.

STEP 5 - Air Intake Kit

Locate the air intake kit packaged with the stove. See Figure 4. Take measurements of your space and plan for the installation of horizontal venting to the outside as may be required per recommendations in "FRESH AIR AND VENTILATION REQUIREMENTS 1" on page 9. Follow all ventilation requirements and guidelines specified in "INSTALLATION" on page 8.

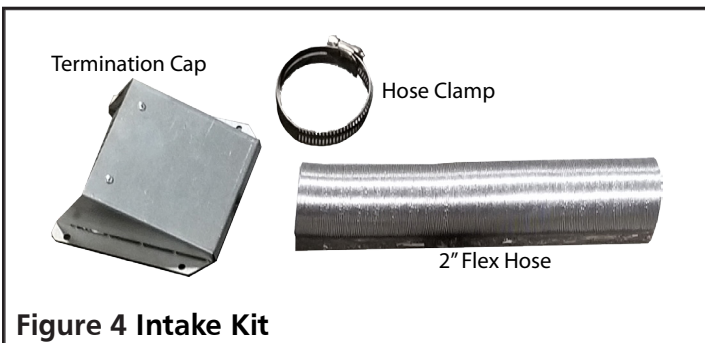


Figure 4 Intake Kit

Additional Assembly H80XL, H140XL

- The door handle: open the door, and screw the plastic grip onto the thread of the handle.



Figure 5 Door Handle

INSTALLATION

CONTACT INFORMATION

If you have any questions regarding ventilation options of your stove, contact either:

The manufacturer Enerco Group, Inc. at 1-833-950-1184. Our office hours are 8:00 AM – 5:00 PM, EST, Monday through Friday.

The National Fire Protection Association (NFPA) and request a copy of the latest editions of NFPA Standard 211. The mailing address of the NFPA is Batterymarch Park, Quincy, MA 02269.

⚠ WARNING: WHEN THIS STOVE IS NOT PROPERLY INSTALLED, A HOUSE FIRE MAY RESULT. TO REDUCE THE RISK OF FIRE, FOLLOW THE INSTALLATION INSTRUCTIONS. CONTACT LOCAL BUILDING OR FIRE OFFICIALS ABOUT RESTRICTIONS AND INSTALLATION INSPECTION REQUIREMENTS IN YOUR AREA.

⚠ CAUTION: ANY DEVIATION OR ALTERATION FROM THESE INSTALLATION INSTRUCTIONS MAY RESULT IN DAMAGE TO YOU, THE STOVE, YOUR CHIMNEY, AND YOUR HOME. YOUR WARRANTY MAY BECOME VOID. READ AND FOLLOW ALL INSTRUCTIONS. Contact Master Forge with any comments, concerns, or questions.

⚠ CAUTION: CONTACT LOCAL BUILDING OR FIRE OFFICIALS ABOUT RESTRICTIONS AND INSTALLATION INSPECTION REQUIREMENTS IN YOUR AREA.

PLANNING

Make sure that you have selected the correct stove for your heating requirements by checking the specifications table on page 3.

Take measurements of your space and plan for your chimney system as detailed in the following instructions.

This stove may be installed for use in a mobile home. In addition to the following instructions, review and adhere to the mandatory requirements on page 11.

ELECTRICAL CONSIDERATIONS

The rear of the stove will need to be within power cord distance, which is roughly 80 inches (203 cm), of an electrical outlet. Lay the power cord out such that it will not come into contact with the stove's surface.

FRESH AIR AND VENTILATION REQUIREMENTS

When deciding the location of the stove ensure that the space will always have a source of fresh air available. Failure to do so may result in air starvation of other fuel burning appliances and the possible development of hazardous conditions.

Provision for outside combustion air may be necessary to ensure that fuel-burning appliances do not discharge products of combustion into the house. Guidelines to determine the need for additional combustion air may not be adequate for every situation. If in doubt, it is advisable to provide additional air. Outside combustion air may be required if these or other indications suggest that infiltration air is inadequate:

- The wood pellet fired stove does not draw steadily, experiences smoke roll-out, burns poorly, or back-drafts, whether or not there is combustion present.
- Existing fuel-fired equipment in the house, such as fireplaces or other heating appliances, smell, do not operate properly, suffer smoke roll-out when opened, or back-draft, whether or not there is combustion present.
- Any of the above symptoms are alleviated by opening a window slightly on a calm (windless) day.
- The house is equipped with a well-sealed vapor barrier and tight fitting windows and/or has any powered devices which exhaust house air.
- There is excessive condensation on windows in the winter.
- A ventilation system is installed in the house.

Additional combustion air may be directly provided from the outdoors to the wood pellet fired stove by using the included air intake kit to connect to the inlet at the bottom and rear of the stove. Any such installation must satisfy Clause 4 of CSA Standard B365.

⚠ CAUTION: NEVER DRAW OUTSIDE COMBUSTION AIR FROM:

- A WALL, FLOOR OR CEILING CAVITY.
- AN ENCLOSED SPACE SUCH AS AN ATTIC, GARAGE OR CRAWL SPACE.

⚠ CAUTION: IF USING AN AIR INTAKE CONNECTION THEN THE STOVE MUST BE INSTALLED SUCH THAT IT IS ATTACHED TO THE STRUCTURE.

ADDITIONAL VENTING REQUIREMENTS

A minimum 6 feet of total vent pipe (not including elbows) must be utilized.

- Use 3" vent pipe for the entire system OR a 4"/6" adapter may be used on the exhaust immediately as it leaves the stove.
- If the system is above 16 feet, use 4" vent pipe.
- Minimum amount of vertical pipe is 4 feet and a 45 degree / vent cap is required at venting termination.

IMPORTANT: Silicone seal must be added between the double walls of the terminal pipe.

CONNECTOR REQUIREMENTS AND ASSEMBLY

⚠ CAUTION: A CHIMNEY CONNECTOR SHALL NOT PASS THROUGH AN ATTIC OR ROOF SPACE, CLOSET OR SIMILAR CONCEALED SPACE, OR A FLOOR, OR CEILING. WHERE PASSAGE THROUGH A WALL, OR PARTITION OF COMBUSTIBLE CONSTRUCTION IS DESIRED, THE INSTALLATION SHALL CONFORM TO CAN/CSA-B365, INSTALLATION CODE FOR SOLID-FUEL-BURNING APPLIANCES AND EQUIPMENT

Any connector pipes or elbows should be installed with the crimped end on the stove end of the path (not the chimney cap end) and should be secured with three evenly spaced sheet metal screws.

Connectors, elbows, and chimneys should be type 'L' or 'PL' and have a 80mm, or 3 inch diameter as the flue system is based on negative pressure in the combustion chamber and a slight overpressure on the flue gas outlet. It is therefore important that the flue gas connection is fitted correctly and is airtight. It is recommended that connectors, elbows, and chimneys be at least 24 gauge, double walled, type B ventilation.

Note that bends in the exhaust path restricts air flow, reducing performance and provides a collection point for ash deposits requiring more frequent cleaning.

⚠ CAUTION: THE JOINTS OF ANY AND ALL CONNECTIONS FOR ANY VENTILATION SYSTEMS (COMBUSTION EXHAUST AND OPTIONAL INLET AIR DUCT) MUST BE SEALED WITH HIGH TEMPERATURE SILICONE.

GENERAL VENTING REQUIREMENTS

⚠ CAUTION: DO NOT CONNECT TO ANY AIR DISTRIBUTION DUCT OR SYSTEM.

⚠ CAUTION: DO NOT CONNECT THIS UNIT TO A CHIMNEY FLUE SERVING ANOTHER APPLIANCE.

⚠ CAUTION: DO NOT INSTALL A FLUE DAMPER IN THE EXHAUST VENTING SYSTEM OF THIS WOOD PELLET FIRED STOVE.

⚠ CAUTION: DO NOT INSTALL IN ANY FIREPLACE.

This wood pellet fire stove must be connected to either of the following:

- Class A listed chimney complying with the requirements for Type HT chimneys in the Standard for Chimneys, Factory-Built, Residential Type and Building Heating Appliance, UL 103.
- A International Conference of Building Officials (ICBO) standards for solid fuel Stoves code-approved masonry chimney.

VENT TERMINATION

- Install exhaust vent at clearances specified by the vent manufacturer.
- Install exhaust vent terminations at clearances specified by the vent manufacturer.
- If using the air intake kit, ensure that there is at least 12 inches clearance between the exhaust vent termination and the intake air inlet.
- It is recommended to keep at least 12" (30.5 cm) of clearance between any vent termination and windows, doors, or outside corners.

- Use silicone to create an effective vapor barrier at the location where the chimney or other component penetrates to the exterior of the structure.
 - For additional requirements check local codes.
- Any vertically terminated chimney systems must meet the following minimum requirements:
- Must be at least 15 feet (4.6 m) tall, measured from the top of the stove to the tip of the chimney cap.
 - Must be at least 3 feet above the roof, measured from the highest point of contact with the roof and the tip of the chimney cap.
 - Must be at least 2 feet (61 cm) above the highest point of the slope of the roof within 10 feet (305 cm) horizontally.

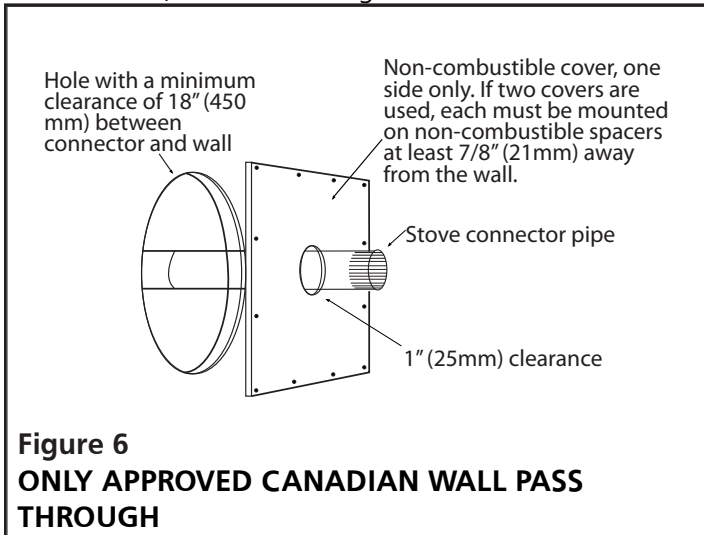
Any horizontally terminated chimney systems must meet the following minimum requirements:

- Must have at least 12" (30.5 cm) clearance above grade, veranda porch, deck or balcony (including vegetation and mulch).

PASSING THROUGH A WALL

Where passage through a wall or partition of combustible construction is desired, the installation shall conform to chimney manufacturer's instructions.

NOTE: In Canada, installation must conform to CAN/CSA-B365 when passing through combustible construction, illustrated in figure 6 .



NFPA 211 (US ONLY) APPROVED WALL PASS THROUGH TECHNIQUES

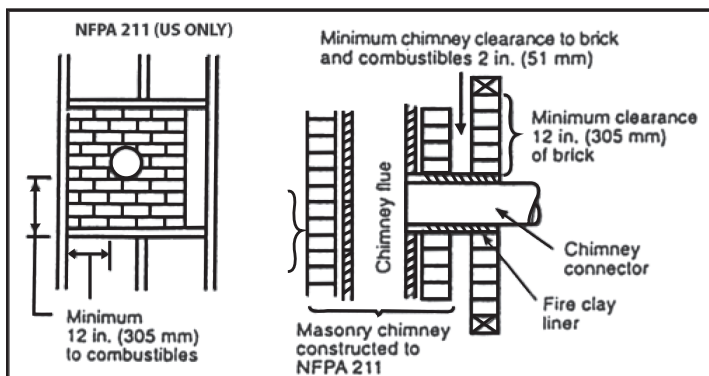


Figure 7 (US ONLY)

Brick Masonry: Minimum 3.5 inch (89 mm) thick brick masonry all framed into combustible wall with a minimum of 12 inch (305 mm) brick separation from clay liner to combustibles. The fire clay liner shall run from outer surface of brick wall to, but not beyond, the inner surface of chimney flue liner and shall be firmly cemented in place.

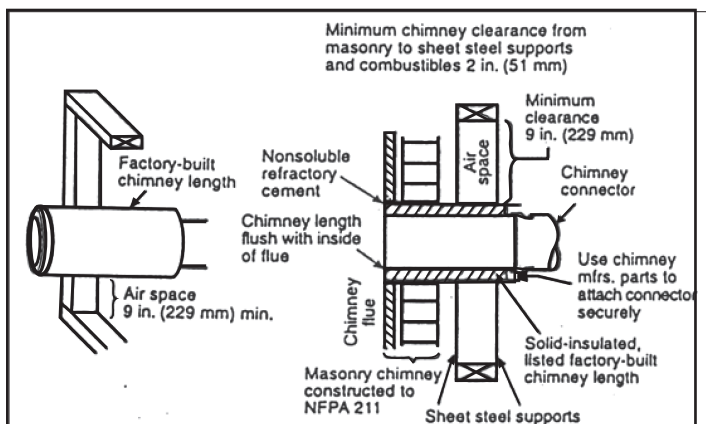


Figure 8 (US ONLY)

Insulated Sleeve: Solid-insulated, listed factory-built chimney length of the same inside diameter as the chimney connector and having 1 inch (25.4 mm) or more of insulation with a minimum 9 inch (229 mm) air space between the outer wall of the chimney length and combustibles.

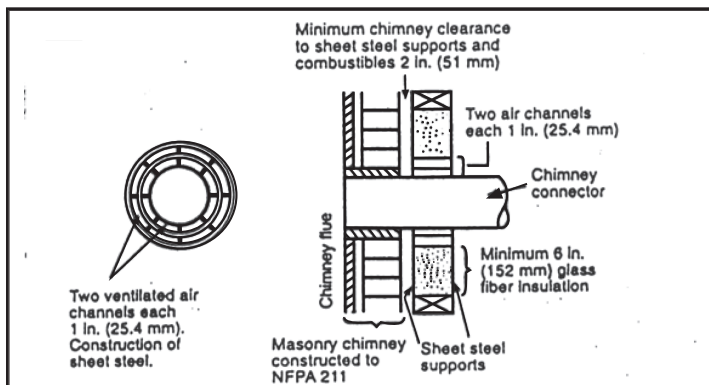


Figure 9 (US ONLY)

Ventilated Thimble: Sheet steel chimney connector, minimum 24 gauge in thickness, with a ventilated thimble, minimum 24 gauge in thickness, having two 1 inch (25.4 mm) air channels, separated from combustibles by a minimum of 6 inches (152 mm) of glass fiber insulation. Opening shall be covered, and thimble supported with a sheet steel support, minimum 24 gauge in thickness.

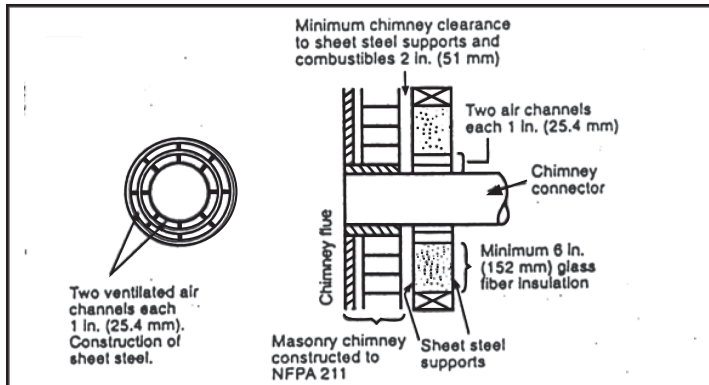


Figure 10 (US ONLY)

Chimney Section Pass-through: Solid insulated, listed factory-built chimney length with an inside diameter 2 inches (51 mm) larger than the chimney connector and having 1 inch (25.4 mm) or more of insulation, serving as a pass-through for a single wall sheet steel chimney connector of minimum 24 gauge thickness, with a minimum 2 inches (51 mm) of air space between the outer wall of chimney section and combustibles. Minimum length of chimney section shall be 12 inches (305 mm) chimney section spaced 1 inch (25.4 mm) away from connector using sheet steel support plates on both ends of chimney section. Opening shall be covered, and chimney section supported on both sides with sheet steel support securely fastened to wall surfaces of minimum 24 gauge thickness. Fasteners used to secure chimney section shall not penetrate chimney flue liner.

ADDITIONAL MOBILE HOME REQUIREMENTS

⚠ WARNING: DO NOT INSTALL IN SLEEPING ROOM.

PARTS & MATERIALS REQUIRED (NOT SUPPLIED)

- A 80mm diameter chimney which complies to UL 103, Standard for Factory-Built Chimneys for Residential Type and Building Heating Appliances.
- Ceiling thimble suitable for use in mobile home.
- Roof thimble suitable for use in mobile home.
- Spark arrestor suitable for use in mobile home.
- Roof flashing suitable for use in mobile home.

ADDITIONAL INSTALLATION REQUIREMENTS

- The chimney shall attach directly to the room heater and shall extend at least 3 feet (0.9 m) above the part of the roof through which it passes.
- The top of the chimney is to be at least 2 feet (0.6 m) above the highest required elevation of any part of the mobile home within 10 feet (3 m) of the chimney.
- All roof-chimney terminations shall be able to be readily removed at or below an elevation of 13½ feet (4.1 m) above ground level and reinstalled without the use of special tools or instructions.
- The chimney assembly shall be provided with a mechanical securement means to secure the chimney to the ceiling support box.
- Chimney Guard Requirements:
 - When the chimney exits the mobile home at a location other than through the roof, and exits at a point 7 feet (2.1 m) or less above the ground level on which the mobile home is positioned, a guard or method of enclosing the chimney shall be provided at the point of exit for a height up to 7 feet.
 - The chimney guard shall not have any openings large enough that a 3/4 inch diameter rod can enter.
 - The chimney guard shall not have any openings large enough that a 1/2 inch diameter rod can enter beyond 4 inches
- The stove must be on installed on a level surface which can support the weight of the stove.
- The stove must be bolted to the level surface so that it permanently secured and can not be moved, tipped, or have ventilation seals compromised.
- The stove must be provided a permanently ducted source of outside air to support combustion which meets the following requirements:
 - The duct must be made of metal exclusively, not other materials such as plastic.

- The end of this duct must be equipped with a screen which prevents rodents from infiltrating.
 - The end of this duct must be kept free of leaves, snow, ice, or other debris that could restrict air supply when the appliance is in operation.
- The joints of any and all connections for both of ventilation systems (the inlet air and the combustion exhaust) must be sealed with high temperature silicone.
 - The chimney must comply with all applicable codes and requirements of the authority having jurisdiction.
 - The chimney must be removed for any mobile home transportation, and reinstalled abiding all requirements after transportation.

The flue system is based on negative pressure in the combustion chamber and a slight overpressure on the flue gas outlet. It is therefore important that the flue gas connection is fitted correctly and is airtight.

⚠ CAUTION: THE STRUCTURAL INTEGRITY OF THE MOBILE HOME FLOOR, WALL, CEILING, AND ROOF MUST BE MAINTAINED.

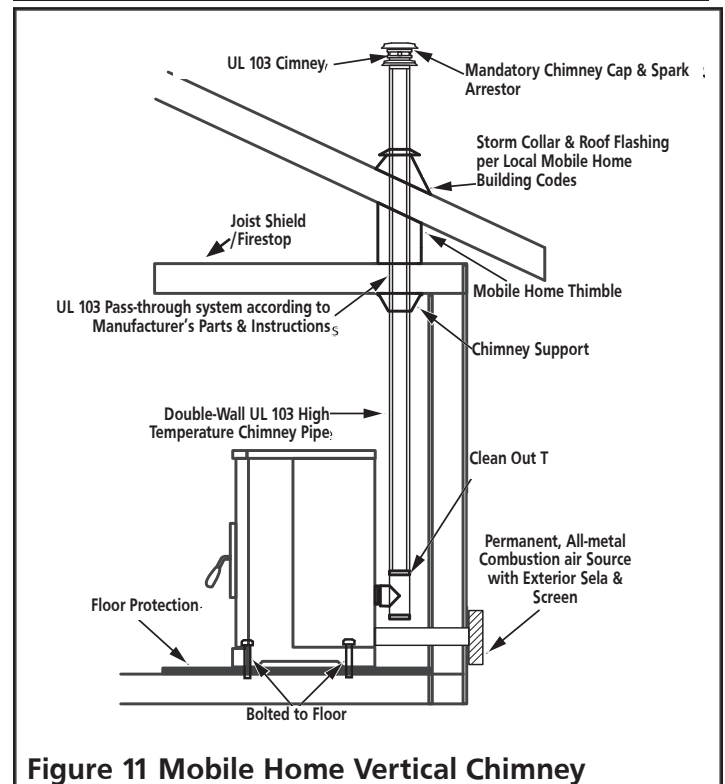


Figure 11 Mobile Home Vertical Chimney

LINED MASONRY CHIMNEY INSTRUCTIONS & DIAGRAM

This stove is designed to be vented through a masonry chimney which conforms to local building codes, fire codes, and latest edition of NFPA 211 US or CAN/CSA-B365.

1. If the connection piping from the stove to a masonry chimney is made through a combustible wall, consult a qualified mason or chimney dealer for consultation. To ensure safety, the installation should only be done by a qualified installer. The installation must conform to the regulations established by local fire codes and building codes
2. The chimney connection must not be obstructed by the chimney connector pipes, such as the figure 12 below illustrates.

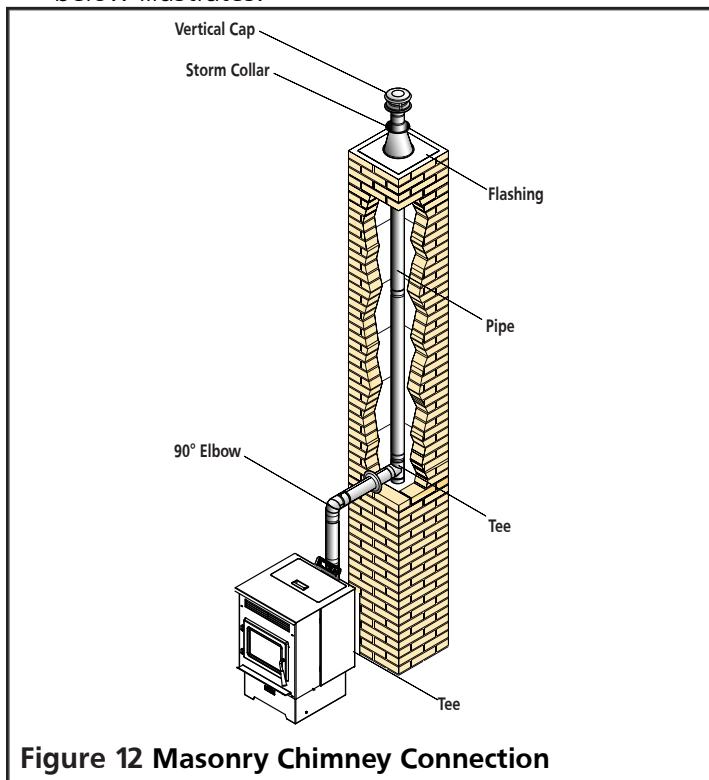


Figure 12 Masonry Chimney Connection

3. If there is an opening at the base of the chimney it must be closed tightly.

MANUFACTURED CHIMNEY INSTRUCTIONS & DIAGRAM

⚠ WARNING: DO NOT USE SINGLE-WALL CONNECTION PIPE AS A CHIMNEY.

This stove is designed to be used with either a UL 103HT (US)/ULC-S629 (CAN) listed manufactured chimney or an approved lined masonry chimney. Not all manufactured chimneys are UL103 HT/ULC-S629 listed. Home centers, hardware stores, HVAC supply stores, and the Online websites of chimney manufacturers will be able to provide stove pipe that is rated to these standards.

This listing indicates that the Chimney is rated for high temperatures up to 2100°F (1149°C)

Only use components that all come from the same manufacturer. Do not mix brands of components for the same ventilation system.

Master Forge Wood Pellet Fire Stove

The following figures illustrate various methods and requirements of using a manufactured chimney and connection pipes to vent the stove.

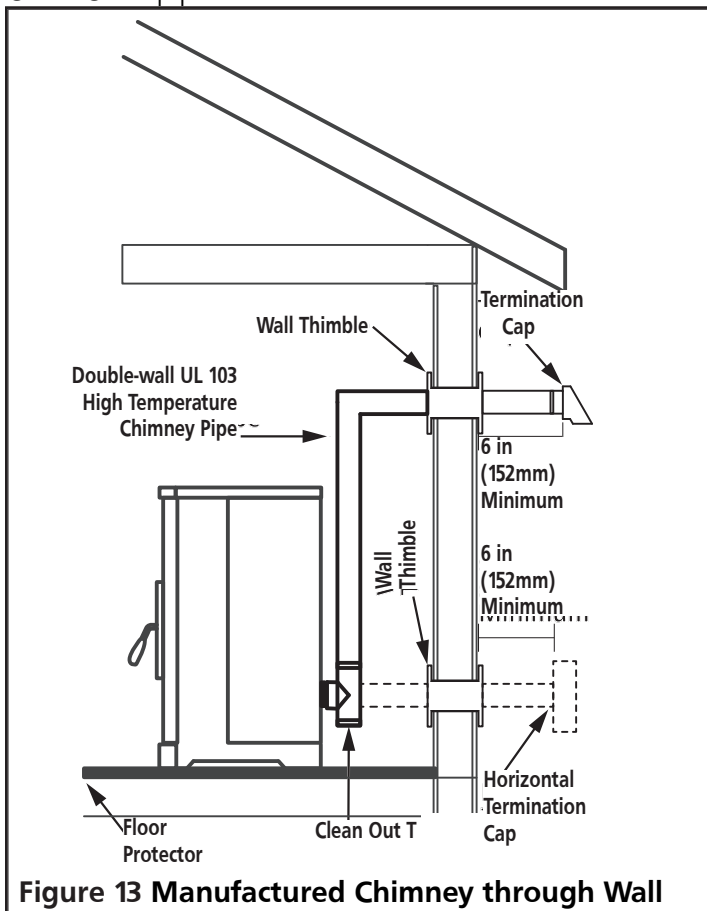


Figure 13 Manufactured Chimney through Wall

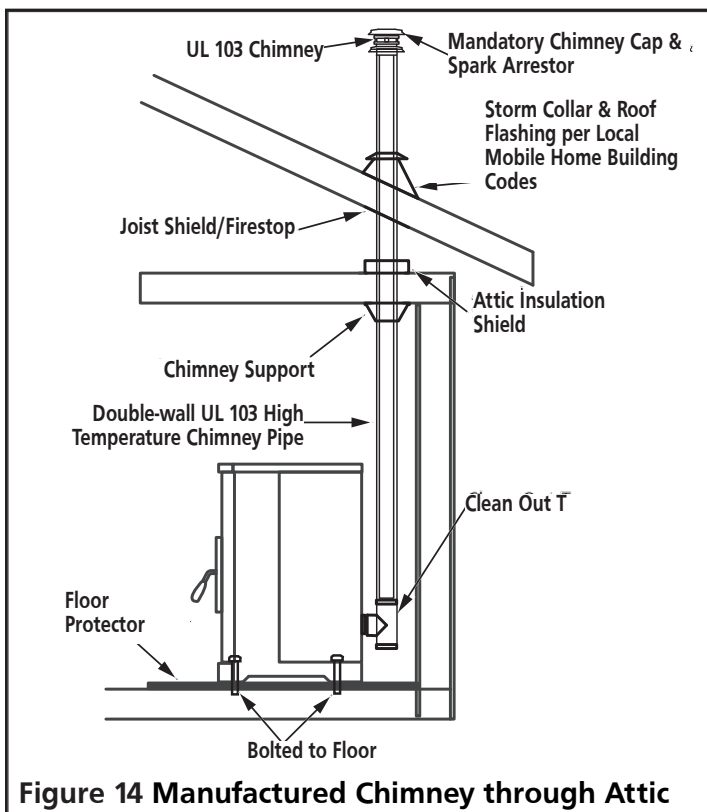


Figure 14 Manufactured Chimney through Attic

OPERATION

THEORY OF OPERATION

1. Combustion occurs in the fire pot, supported by air introduced to and under the fire pot. Note that some air blows in from the top of the combustion chamber; this helps keep ash and debris from accumulating on the door.
2. The exhaust blower draws combustion products from the stove and directs it out user-installed venting.
3. The auger transfers pellets from the hopper to the fire pot to sustain the fire.
4. A convection blower propagates air along the outside of the fire box, circulating warm and clean air into the room.

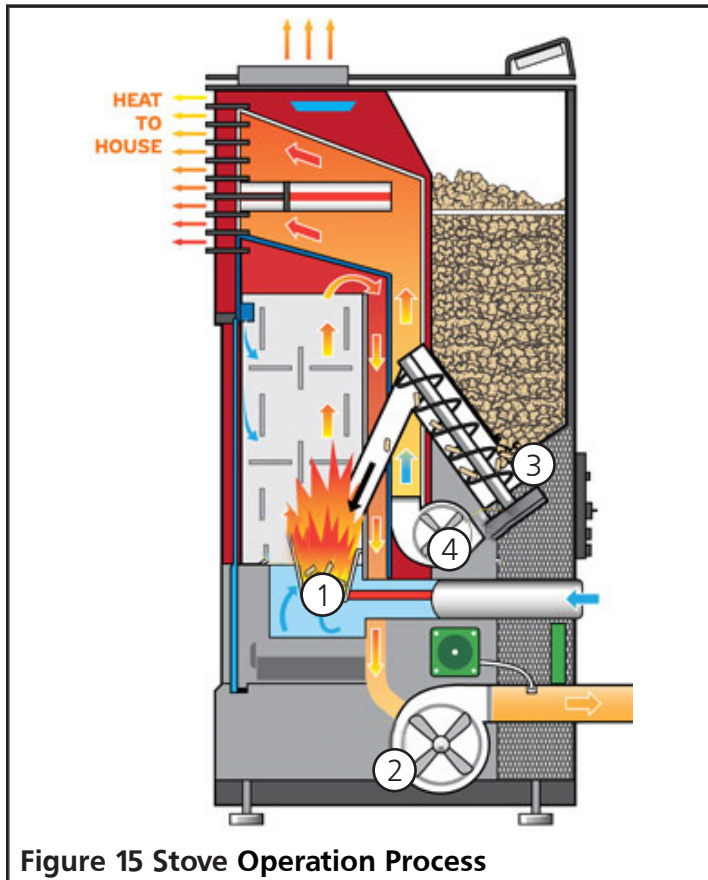


Figure 15 Stove Operation Process

APPROVED FUEL:

Do not use less than PFI premium-grade pellets. Use 100% natural hardwood pellets, untreated and without bonding agents added (max bark proportion of 5%) are the only fuel approved for use with this pellet stove. For best results see the specifications below:

- Calorific Value of 5.3 kWh/kg
- Density of 700 kg/m³
- The pellets should be low ash (less than 1 % ash)
- The pellets should be less than 30mm long, with a diameter between 5 and 6.5 mm.

- Do not use the pellet sediment & debris at the bottom of the pellet container.
- Store pellets in sacks, made of environmentally neutral or biologically degradable plastic or from paper (2-3 layers / similar to cement packaging).

Use of wood pellets that do not meet these specifications may result in ignition difficulty, accelerated creosote or fly ash build up, incomplete combustion, low heat yield, and blackening of the glass in the door.

- ⚠ **CAUTION: DO NOT USE CHEMICALS OR FLUIDS TO START THE FIRE.**
- ⚠ **CAUTION: DO NOT BURN GARBAGE OR FLAMMABLE FLUIDS SUCH AS GASOLINE, NAPHTHA OR ENGINE OIL.**
- ⚠ **CAUTION: NEVER ATTEMPT TO USE ANY OF THE FOLLOWING MATERIALS AS FUEL:**

- Paper products, cardboard, or particleboard;
- Garbage;
- Animal remains or manure;
- Lawn clippings or yard waste;
- Waste petroleum products;
- Coal;
- Construction or demolition debris;
- Railroad ties or pressure-treated wood;
- Materials containing
 - asbestos
 - plastic
 - rubber (including tires)
- Petroleum products such as
 - paints
 - paint thinners
 - asphalt products

BURNING THESE MATERIALS MAY RESULT IN RELEASE OF TOXIC FUMES OR RENDER THE HEATER INEFFECTIVE AND CAUSE SMOKE

Do not store wood pellet fuel or other fire starting materials on floor protector, underneath stovepipe, or anywhere within minimum clearances from combustible surfaces specified on page 6.

Wood pellet fuel should be stored in a dry, well ventilated area.

- ⚠ **CAUTION: DO NOT store unused pellets in the stove for future use as they may collect moisture. Using wet or damp pellets may result in ignition difficulty, incomplete combustion, and the potential for a hopper fire.**

OPERATING PRECAUTIONS

⚠ WARNING: HOT WHILE IN OPERATION. DO NOT TOUCH THE STOVE. KEEP CHILDREN, CLOTHING AND FURNITURE AWAY. CONTACT MAY CAUSE SKIN BURNS.

⚠ CAUTION: ENSURE THAT THE FIREPOT AND THE PAN UNDERNEATH ARE CLEAN AND IN THE PROPER OPERATING POSITION BEFORE USING THE STOVE.

⚠ WARNING: NEVER USE GASOLINE, GASOLINE-TYPE LANTERN FUEL, KEROSENE, CHARCOAL LIGHTER FLUID, OR SIMILAR LIQUIDS TO START OR 'FRESHEN UP' A FIRE IN THIS HEATER. KEEP ALL SUCH LIQUIDS WELL AWAY FROM THE HEATER WHILE IT IS IN USE.

PAINT CURING

To allow the paint to bond durably to the stove, start by running the stove on P1 High Power for at least 60 minutes. Provide cross ventilation to eliminate odors or smoke cause by this curing process.

OPERATING PROCEDURE: TURN ON STOVE

NOTE: If the display screen indicates that the stove is "Switching Off" the stove can not be interrupted. The Display Message will highlight to indicate that the state will not be changed. Only once the "Switching Off" cycle has finished and the exchanger has cooled can the stove be turned back on again.

1. Plug power cord into socket on the rear bottom of stove and press the red ON/OFF toggle switch above it to ON. See Figure 16.

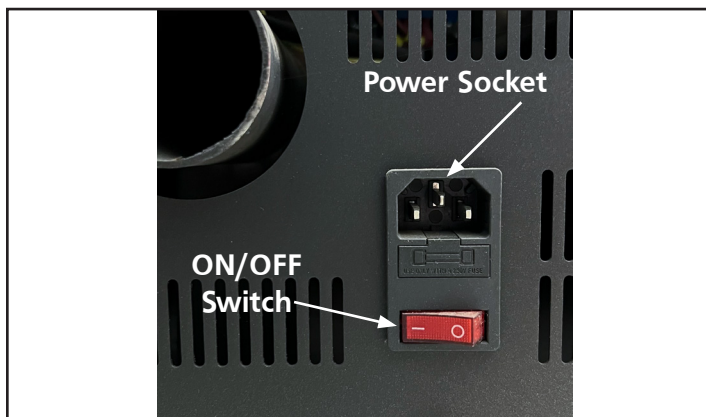



Figure 16 Power Socket/ON/OFF Switch

NOTE: TO PREVENT STOVE FROM BEING OPERATED, TURN OFF RED POWER SWITCH ON BOTTOM, REAR OF STOVE.

2. Make sure that seals on the ash drawer and door are in good condition. If the stove has never been run before, add a handful of pellets directly to the firepot. Close the ash drawer and doors securely, and check that all side panels are all properly installed.

NOTE: DO NOT USE GRATES, IRONS, OR ANY OTHER METHODS OF SUPPORTING WOOD PELLET FUEL. ONLY THE FIREPOT SPECIFIC TO YOUR MODEL OF STOVE MAY BE USED.

3. Open the hopper. Ensure that there are a sufficient number of pellets to satisfy your heating requirements. Close the hopper.
4. Depress the power button  on the display panel for 3 seconds. The stove will begin to automatically progress through the following stages:

- Cleaning Cycle: The firepot draws dust, ash, & remnants out.
- Feeding Cycle: Pellets will be transported from the Pellet Hopper into the fire pot by the auger. This can take 5 to 15 minutes depending on the model of stove.
- Lighting Cycle: The electrically powered hot surface igniter will run the entire lighting cycle and for a couple minutes after the stove reaches stabilizing and also begin combustion of the pellets in the firepot. The heater will remain in the Lighting Cycle until the exhaust smoke reaches a designated temperature.
- Stabilization Cycle: The heater adjusts to fine tune the stove output to the desired temperature. Stabilizing will continue until the stove reaches the thermostat desired temperature.

5. The stove has been successfully turned on.

OPERATING PROCEDURE: TURN OFF STOVE

NOTE: THE STOVE MAY BE TURNED OFF, REGARDLESS OF WHAT CYCLE THE DISPLAY SCREEN INDICATES THAT THE STOVE IS IN, BY DEPRESSING AND HOLDING THE POWER BUTTON FOR TWO SECONDS. ONCE THE DISPLAY SCREEN INDICATES THAT THE STOVE IS IN THE STABILIZATION CYCLE PRESS THE POWER BUTTON AGAIN. THE STOVE WILL ENTER THE COOLING CYCLE, STATED ON THE DISPLAY SCREEN.

⚠ CAUTION: AFTER THE COOLING CYCLE THE STOVE AUTOMATICALLY BEGINS THE PROCESS OF CYCLING ON.

1. Depress the power button on the display panel for 3 seconds. The stove will begin to automatically progress through the following stages:

- Switching Off: Any remaining fuel in the firepot will continue to burn and produce heat and flame. After 5 to 8 minutes the firepot ought to be devoid of fuel. The heat exchanger may then begin to cool off.
- Goodbye: The final message from the display screen to designate that the stove has cooled.

2. The stove has been successfully turned off.

OPERATION WITH AN ELECTRICAL GENERATOR

This stove is designed to have the option of being powered by an electrical generator, though not all electrical generator's may be compatible with this stove. Consult the information regarding your generator's electrical regulator and make sure that it meets the electrical requirements of this stove, as stated on page 3.

MINIMIZING CREOSOTE FORMATION

See "MAINTENANCE" on page 20 for an explanation of Creosote formation and removal. To slow the build up of creosote within your chimney burn only the recommended fuel, see page 14.

DISPOSAL OF ASHES











⚠ CAUTION: EMBERS MAY BE OBSCURED BY ASH. HANDLE ASH WITH TOOLS SUFFICIENT FOR FIRE TENDING, NEVER DIRECTLY WITH YOUR HANDS. WEAR FIRE RETARDANT CLOTHING AND PROTECTIVE EYEWARE.

Ashes should be placed in a metal container with a tight fitting lid.

1. Other waste shall not be placed in ash containers.
2. The closed container of ashes should be placed on a noncombustible floor or on the ground, well away from all combustible materials, pending final disposal.
3. Wood mineral residue (approximately 1-2%) remains in the ash and is an excellent natural fertilizer product for all garden plants. Before disposing ashes of by burial in soil or otherwise locally dispersed, they should be retained in the closed container until all any and all cinders have thoroughly cooled and should also be "quenched" with water.

Remote Button Functionality:

The buttons on the remote controller affect the stoves operation in the same way that the mounted button do:

Remote Controller Button	Mounted Button Counterpart
	
	
	
	
	

Note: There are no lights or display screen on the remote controller that can indicate to you that the button presses are being received by the stove. In order to remotely control the stove but also monitor its settings, try installing the Smart Stove app.

Note: The range of the remote controller is 16 ft. (5m).

SMART STOVE WIFI CONNECTION

This stove can be monitored, controlled, and programmed by using the smart stove app by NHHATC which is available for iOS or android device through the app store.

- Step 1. Download the Smart Stove app by NHHATC.
- Step 2. Open the Smart Stove app. The app opens, by default, to the "Register" screen. Click on the "Register" button.
- Step 3. Enter your email address in the "Email" field and click the "Get Verification Code" button.
- Step 4. Enter the verification code that was emailed to you in the "Enter Verification Code" field.
- Step 5. Now you can set a unique password for your device in the "Set Password" field and hit the "Done" button.
- Step 6. If you have no other wifi enabled devices already added to this app there will be a large "Add Device" button in the center of the screen which you can select. Otherwise, select the + symbol in the top right of the screen.

Step 7. Make sure that your device is connected to the wifi network which you want the stove to be connected to.

Step 8. Make sure that the wood pellet fire stove is plugged into an electrical outlet and can be powered on.

Step 9. Follow the directions on the screen by pressing and holding the connection button for 3 seconds on the rear of the display panel as illustrated in the figure below. Once you observe the desired blinking pattern on the indicator light, press the confirmation button at the bottom of the screen.

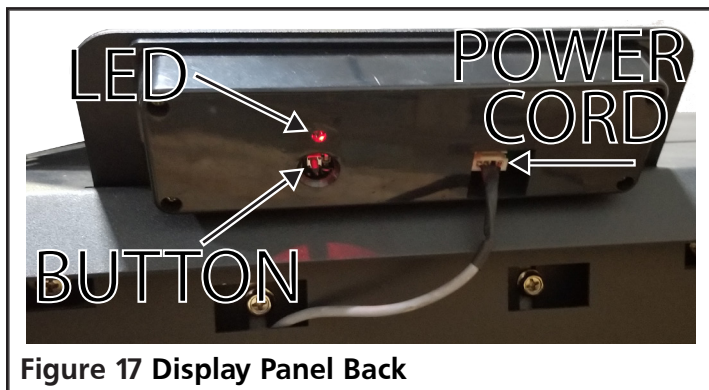


Figure 17 Display Panel Back

Step 10. Enter the password for the wifi network so that the stove can connect to the wifi network.

Step 11. The stove will begin pairing with the device running the application through the wifi network. This process may take a few minutes.

Step 12. After the device and stove are paired, you will be able to see the pellet stove as a connection option on the "Devices" tab at the bottom of the app screen.

Step 13. On your device, go to your device's wifi settings which will now include the stove as an option. Select the stove as your wifi connection.

Step 14. Open the Smart Stove phone app again.

Step 15. You may now select this stove from this added devices list in order to monitor, control, and program the stoves operation.

WIFI CONTROLS

Once connected to the stove (See step 13 of Wifi Connection) you can remotely monitor and adjust the operation of the stove. See below for explanation: (con't on page 18):

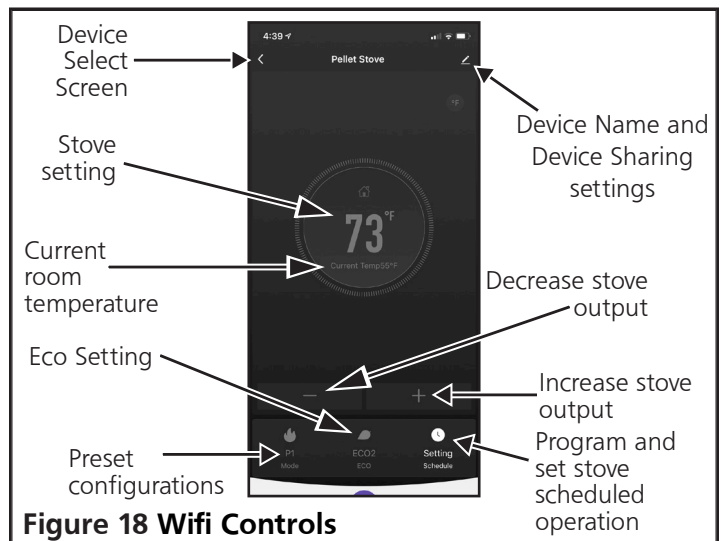
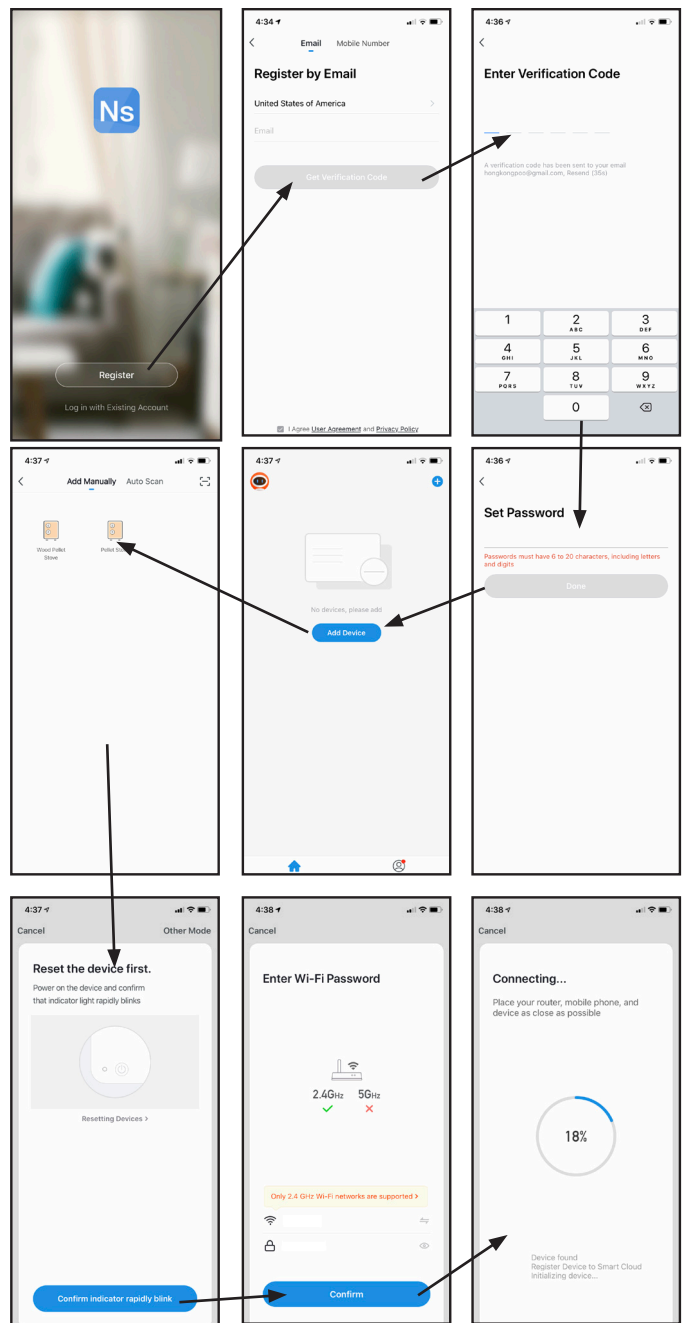


Figure 18 Wifi Controls

H80XL, H140XL, AND H3W80XL MULTI FUNCTION CONTROLS

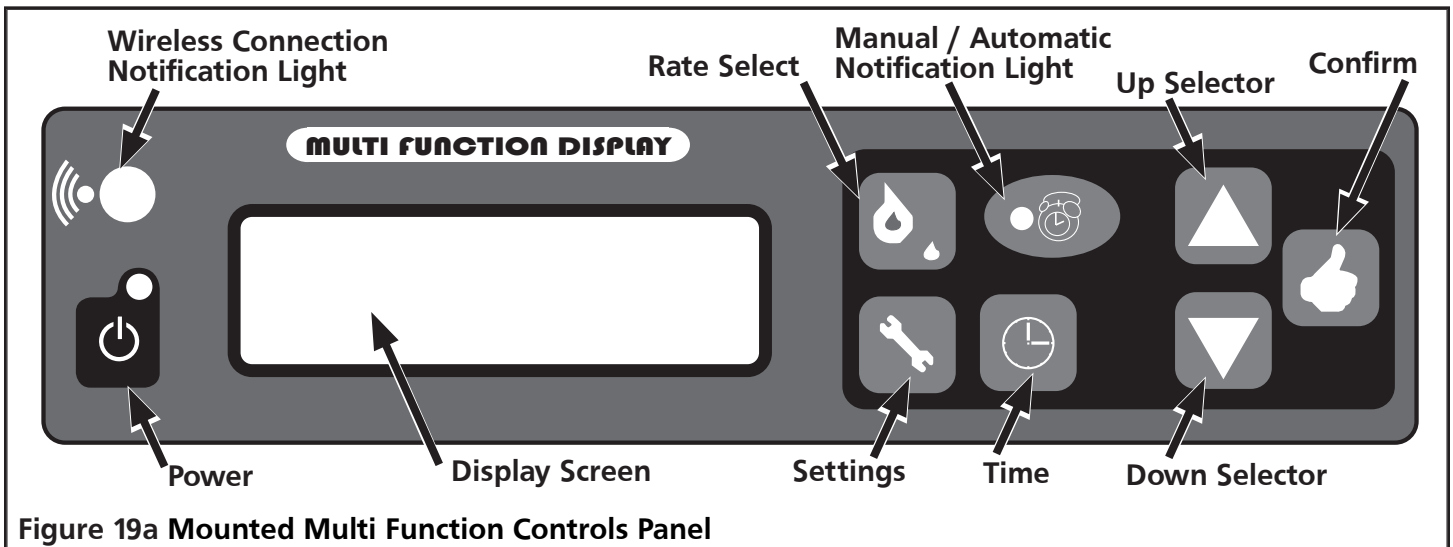


Figure 19a Mounted Multi Function Controls Panel

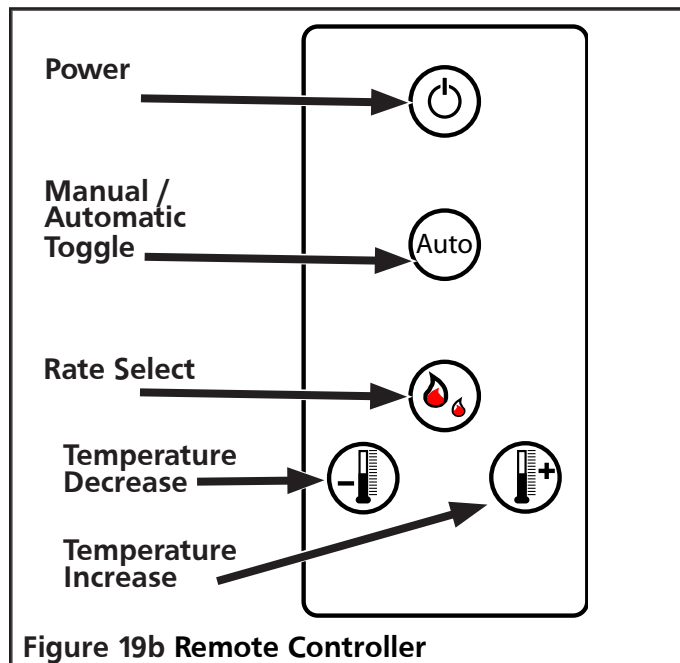


Figure 19b Remote Controller

Mounted Button Functionality: Normal Operation

- The light illuminates when the stove is plugged into an electrical supply.
- Press the power button to turn the display on for the purpose of adjusting settings. The screen will become dim after 10 seconds on inactivity.
- Press and hold the power button for 3 seconds to begin stove heating if the stove was off.
- Press and hold the power button for 3 seconds to begin stove shut off if the stove was on.

CAUTION: The manufacturer has programmed preset rates to ensure proper operation. It is not advised to reprogram rate settings.

	Press to cycle between temperature reports (in Fahrenheit) display in the top right of the multi function display screen: <ul style="list-style-type: none"> • ##(R): Room temperature • ##(S): Exhaust temperature • ##(P): Protection Temperature Sensor
	Press to increase the temperature which the stove is intended to heat the room to. This value is displayed in the top right of the multi function display screen as ##°F.
	Press to decrease the temperature which the stove is intended to heat the room to. This value is displayed in the top right of the multi function display screen as ##°F.
	Press to toggle the stove between manual control and programmed control. If the stove is in the program controlled setting then the notification light will be illuminated.
	Pressing the rate select will toggle between four configurable heating presets. The currently set preset is available in the top middle of the multi function display screen as P#. <ul style="list-style-type: none"> • P1 [Maximum Power] Settings • P2 [Medium Power] Settings • P3 [Low Power] Settings • P4 [Minimum Power] Settings
	<ul style="list-style-type: none"> • Press and hold the settings button for 2 seconds to enter the set up menu. • Press the settings button at any time to exit the set up menu.

- Device Name: it is possible to rename the stove, so that if you have multiple stoves set up for operation you can more easily differentiate between while using the smart stove application.
- Device Sharing: it is possible to share connection to the stove with other devices via SMS or email.
- Eco Mode: There are two ECO settings which can be selected which will conserve wood pellets while maintaining the desired temperature. Pressing the ECO button will allow you to toggle whether a specific eco setting is enabled, or to turn off the feature entirely.
 - ECO 1: The stove shuts off when the desired temperature has been reached. The stove will turn back once the room cools to a factory set temperature.
 - ECO 2: The stove turns to minimum power preset P4 when the desired temperature has been reached. The stove will turn on to higher power settings once the room cools to a factory set temperature.
- Preset configurations: There are four selectable configurations which adjust the speeds of the combustion fan and the room air circulation fan. Pressing the preset configuration button will allow you to toggle whether a specific preset configuration is enabled, or to turn off the feature entirely.
 - P1 [Maximum Power] Settings
 - P2 [Medium Power] Settings
 - P3 [Low Power] Settings
 - P4 [Minimum Power] Settings

MANUAL STOVE OPERATION

TO ADJUST THE AUGER (PELLET DROP RATE)

1. Cycle using the Rate Select button between settings P1, P2, P3, P4. Rates are outlined below:

P1: [Maximum] pellet drop rate

P2: [Medium] pellet drop rate

P3: [Low] pellet drop rate

P4: [Minimum] pellet drop rate

Note: If necessary, press and hold the "Time" button for 2-5 seconds to get the auger to spin.

TO ADJUST THE FANS

1. Press and hold the Settings button for 2 seconds.
2. Press the Confirm button to cycle to each of the Pellet Drop Rate Settings.

3. Adjust the "S" for Venting Fan and "F" for blower fan settings using the Up and Down Selectors buttons.
4. Use the Time button to switch between "S" and "F" Note: the lower the setting, the slower the fan. Only change settings by a few numbers at a time.
5. Press the Settings button to go back to home screen.

TO CHANGE THE TIME (RUNS ON 24-HOUR CLOCK)

1. Press and hold the Settings button for 2 seconds.
2. Press the Confirm button to cycle to Modify Clock.
3. Use the Time button to switch between hours and minutes.
4. Use the Up and Down Selector buttons to change the current selection.
5. Press the Settings button to go back to home.

TO PROGRAM AUTOMATIC ON/OFF

1. Press and hold the Settings button for 2 seconds.
2. Cycle through the settings using the Confirm button until days of the week are visible.
3. Use the Time button to change between days.
4. Use the Up and Down Selector buttons to adjust if you want the stove ON/OFF each day.

Note: Tall box is for ON; Short box is for OFF.

Note: Each box represents an hour of the day over a 24 hour period. The first box is 00:00 (Midnight) and the last box is 23:00 (11 PM).

5. Press the Settings button to go back to home.

CHANGING ECO MODES

1. Press and hold the Settings button until stove beeps.
2. Press (do not hold) the Confirm button seven times to cycle to the screen that reads "Eco Mode."
3. Press the Time button to switch between the selected Eco Modes.
4. Press the Settings button to go back to home screen.







ECO 1 MODE

ECO 1: The stove shuts off when the desired temperature has been reached. The stove will turn back on once the room cools to a factory set temperature.

ECO 2 MODE

ECO 2: The stove turns to minimum power preset P4 when the desired temperature has been reached. The stove will turn on to higher power settings once the room cools to a factory set temperature.

CONTROL KEY

	CONFIRM
	UP SELECTOR
	DOWN SELECTOR
	TIME
	RATE SELECT
	SETTINGS

MAINTENANCE

This wood heater needs periodic inspection and repair for proper operation. It is against federal regulations to operate this wood heater in a manner inconsistent with operating instructions in this manual.

⚠ CAUTION: TURN OFF AND UNPLUG THE STOVE FROM ANY SOURCE OF ELECTRICAL POWER TO UNIT BEFORE PERFORMING ANY MAINTENANCE OR SERVICE OPERATIONS.

⚠ CAUTION: ALLOW STOVE TO COOL DOWN BEFORE PERFORMING ANY MAINTENANCE OR SERVICE OPERATIONS.

⚠ CAUTION: DURING ANY ASSEMBLY OR DISASSEMBLY, BE WARY TO NOT DROP ANY ITEMS (SCREWS, ETC.) INTO THE PELLET HOPPER. DEBRIS CAN JAM THE AUGER AND DAMAGE THE STOVE.

The frequency which your stove's requires cleaning and maintenance depends on the fuel that you use. High moisture, ash, dust, and chips can more than double the necessary maintenance. Use only the tested and recommended wooden pellets fuel.

Clean the fire pot and fire pan every day, before using the stove and while the stove is cooled down, the stove is unplugged, and there are no embers. Use a vacuum cleaner to remove ash and debris from the fire pot, and then lift the fire pot to also clean the fire pan. It is important that ash or debris does not block any air openings.

A general cleaning schedule is as follows:

- Fire Pot: After 10 bags of wood pellets, or every day. Whichever is more frequent.
- Ash Drawer: After 50 bags of wood pellets
- Passageways: After 100 bags of wood pellets
- Blower: After 100 bags of wood pellets

IMPORTANT: Also make sure to refer to the separate Cleaning Schedule at the end of this section.

CLEANING: FIRE POT & PAN

⚠ CAUTION: IF STOVE IS INTENDED TO OPERATE CONTINUOUSLY, IT MUST BE TURNED OFF TWICE WITHIN EACH 24 HOUR PERIOD IN ORDER TO CLEAN THE FIRE POT AND FIRE PAN. ALWAYS ALLOW THE STOVE TO COOL DOWN AND ANY EMBERS TO EXTINGUISH BEFORE CLEANING THE FIRE POT AND FIRE PAN.

Make sure that you put the fire pot back onto the fire pan in the correct orientation, so that pellets can be added to the pot and successfully ignited for the next operation of the stove.

CLEANING: GLASS

⚠ WARNING: DO NOT CLEAN GLASS WHEN HOT.

Though the circulation of air across the glass reduces acidic ash build up, cleaning the glass in the stove door is still required periodically. Cleaning is necessary to prevent glass from being weakened which may increase likelihood of cracks. It is not acceptable to operate the stove with cracked or broken glass.

The best way to clean the door glass is using a damp cloth that has a smear of cool ash on it. For extra stubborn dirt, consult your local hardware store or stove specialist for a suitable cleaner.

⚠ WARNING: DO NOT CLEAN GLASS WITH ABRASIVE CLEANERS OR BY ANY OTHER PROCESS WHICH MAY SCRATCH OR DAMAGE THE GLASS.

CLEANING: OUTLET PASSAGEWAY

The outlet passageway should be cleaned at least once a year. Burning high ash pellets may require that the passageway is cleaned more frequently.

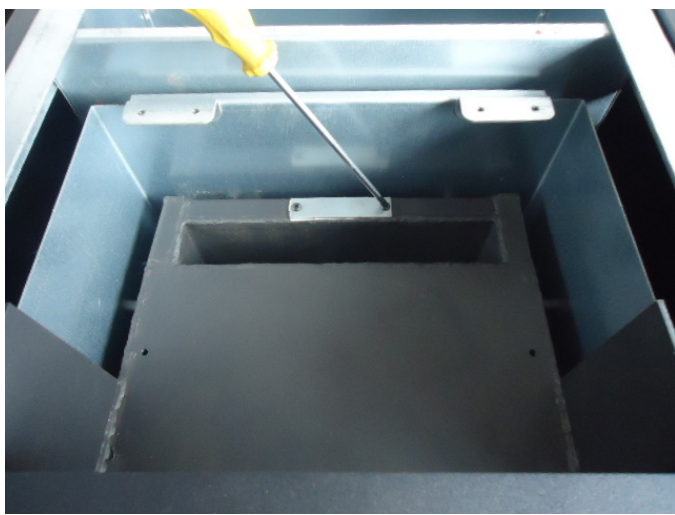


Figure 20 Outlet Duct



H140XL



H80XL, H3W80XL

Figure 21 Convection Blower Disassembly

On each side of the stove there are two access covers that can be removed by removing the fastening screws. See Figures 21, 24 and 25. Turn off the stove, allow the stove to cool down, and unplug the stove before disassembly and cleaning. Insert a cleaning brush into the openings to loosen any ash build up and then use a vacuum cleaner to remove the loosened ash. Replace the covers and secure with the allen head screws.

There is one more opening to the outlet passageway which can be accessed by removing the ash drawer. Loosen the two 5/32" allen head screws shown in Figure 20. Rotate the cover to expose the opening. Use a cleaning brush to loosen any ash build up. Insert a cleaning brush into the openings to loosen any ash build up and then use a vacuum cleaner to remove the loosened ash. Rotate the cover back over the opening and secure with the allen screws.

CLEANING: CONVECTION BLOWER

When facing the heater, the blower motor responsible for introducing air for heating and circulation to the room is located on the right hand side. Remove or open the side panel to obtain access. Clean the convection blower as required, before using the stove and while the stove is cooled down, the stove is unplugged, and there are no embers. Take care to not damage the blower's blades during cleaning. Use a vacuum to remove any dust accumulation of the blower's blades or inside the blower duct.

CLEANING: EXHAUST VENT PIPE

Inspect the exhaust venting system at least once a year to determine if cleaning is necessary. During start up, shut down, and erroneous operation of the stove incomplete combustion can produce ash, soot, and creosote. To clean the exhaust venting system insert an appropriate sized cleaning brush into the pipe to loosen and remove any ash or debris build up. Build up of debris and ash can restrict the flow of gases which will affect stove performance, and failure to remove creosote may result in a dangerous chimney fire.

FLYASH - FORMATION AND NEED FOR REMOVAL

The products of combustion will contain small particles of flyash. The flyash will collect in the exhaust venting system and restrict the flow of the flue gases. Incomplete combustion, such as occurs during startup, shutdown, or incorrect operation of the room heater will lead to some soot formation which will collect in the exhaust venting system. The exhaust venting system should be inspected at least once every year to determine if cleaning is necessary. Use the appropriate sized chimney brush to remove ash and buildup from the venting.

CREOSOTE - FORMATION AND NEED FOR REMOVAL

Failure to remove creosote may result in a dangerous chimney fire.

When wood pellets burn at a low temperature they produce tar and other organic vapors, which combine with expelled moisture to form creosote. The creosote vapors condense in the relatively cool chimney flue of low-temperature fire. As a result, creosote residue accumulates on the flue lining. When ignited this creosote makes an extremely hot fire. The chimney

connector and chimney should be inspected at least once every few months during the heating season to determine if a creosote buildup has occurred. If a significant layer of creosote has accumulated (eighth of an inch, 3 mm, or more) it should be removed to reduce the risk of a chimney fire. Use the appropriate sized chimney brush to remove ash and buildup from the venting.

Be aware that the hotter the fire the less creosote is deposited, and weekly cleaning may be necessary in mild weather even though monthly cleaning may be enough in the coldest months. Contact your local municipal or provincial fire authority for information on how to handle a chimney fire. Have a clearly understood plan to handle a chimney fire.

REPLACING: GLASS

Replacing the door glass is only permitted by replacing the entire door assembly provided by the manufacturer. See pages 32 through 34.

⚠ WARNING: SUBSTITUTING ALTERNATE MATERIAL MAY SHATTER GLASS AND CAUSE INJURY.

REPLACING: SEALING GASKETS

Over time the sealing gaskets along the glass, door, or ash drawer may lose their rigidity. These seals are essential for providing a seal which allows the stove to operate safely. Inspect the gaskets periodically, and if they become worn contact the manufacturer for information on original or equivalent gasket.

To replace the gasket:

1. Ensure that all pellets are extinguished and that the stove is cool to the touch.
2. Remove old gasket and clean the gasket gutter.
3. Apply a thin coat of high temperature gasket cement along the inside of the gasket gutter.
4. Press the beginning of the replacement gasket into the most up and most left position of the prepared gasket gutter.
5. Continue pressing the replacement gasket clockwise along the gasket gutter until it has wrapped back to where the gasket was pressed in initially.
6. Trim any excess replacement gasket away, and press the remaining end into the gutter to complete the seal.

Close the door, drawer, or ash drawer and allow 3 to 4 hours for the cement to set before operating the stove.

REPLACING: HOT SURFACE IGNITER

Ensure that the stove is off and allow it time to become cool to the touch. After gaining access to the back,

undo the screw located on the back inside of the main body. Pull the hot surface igniter free, and install replacement service part. See Figure 22 and 24.

NOTE: DEPENDING ON THE MODEL OF THE STOVE, IT MAY BE NECESSARY TO REMOVE THE AUGER MOTOR IN ORDER TO SLIDE THE IGNITER OUT OF ITS HOUSING.

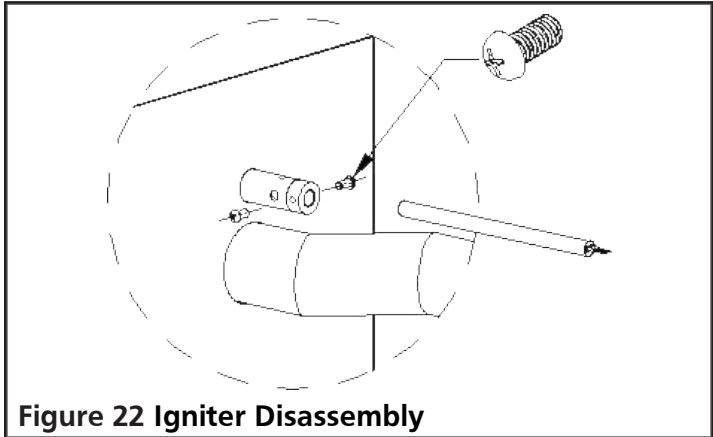


Figure 22 Igniter Disassembly

REPLACING: AUGER SYSTEM

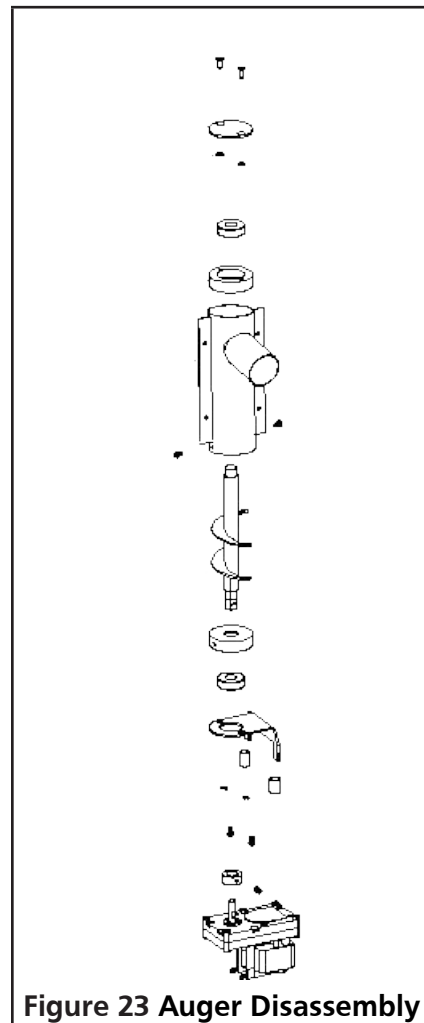


Figure 23 Auger Disassembly

Ensure that the stove is off and allow it time to become cool to the touch. After gaining access to the back, the auger can be disassembled part by part in the order indicated in Figure 23.

REMOVING BACK AND SIDE PANEL



Figure 24 H140XL Back & side disassembly

- To remove the H140XL side panels, remove the screws securing it on the rear of the heater. Then slide the panel along the side of the heater away from the front.
- To remove the H140XL rear plate, remove the 8 screws securing it at the bottom and rear of the stove.
- To remove the H80XL side panels, remove the screws securing it on the rear of the heater. Then pull the panel directly away from the heater.
- To open the side of the H3W80XL model, simply swing the side panel free of the magnetic lock.

REPLACING: HEAT EXCHANGE BLOWER

Unplug the heater. Disconnect any wiring leading to the Heat Exchange Blower. Remove the screws holding the mounting plate to the heater. Slowly remove blower and replace with new one. Replace screws and wiring.

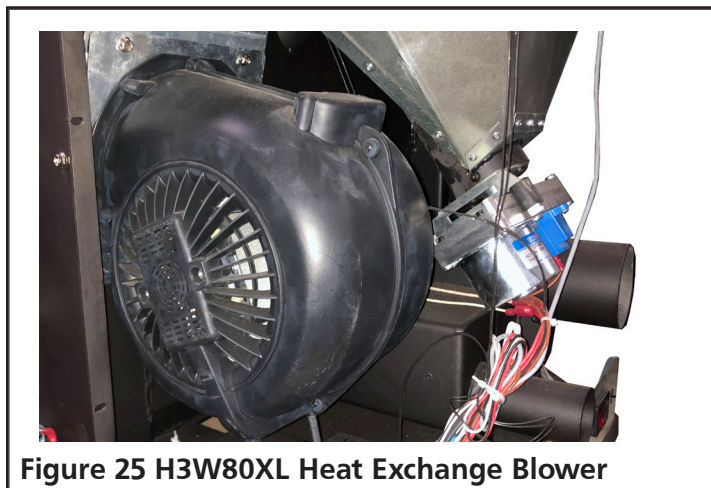


Figure 25 H3W80XL Heat Exchange Blower

REPLACING: EXHAUST BLOWER

Unplug the heater. Disconnect any wiring leading to the Exhaust Blower. Remove the wing nuts holding the Exhaust Blower plate to the blower housing. Slowly remove blower and replace with new one. Replace wing nuts and wiring.

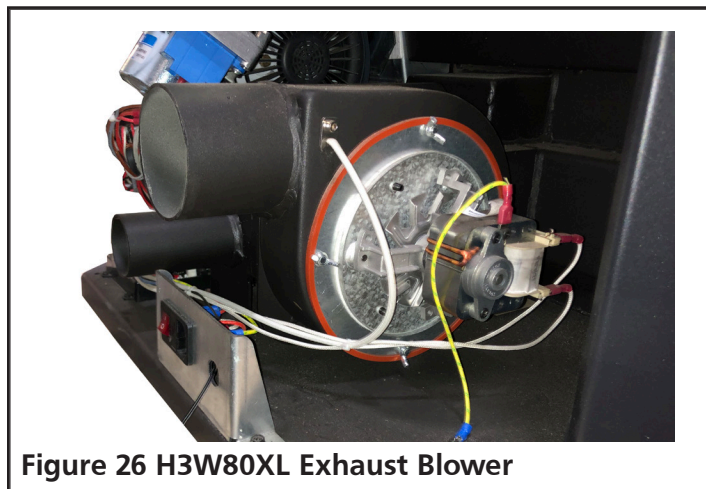


Figure 26 H3W80XL Exhaust Blower

SAFETY COMPONENTS

1. Vacuum Pressure Switch: A safety vacuum switch is located behind the left door, fastened to the base. If a low pressure is created in the firebox by a leak, opening the door to the firebox, a blocked flue, or an unsealed ash drawer then the switch will shut the stove off as a precaution. Error code E5 will appear on the display panel.
2. High Limit Thermostat: A high temperature limiter is installed on the bottom of the hopper. If this sensor is exposed to temperatures higher than 185° F then the stove is shut off.
3. Vent Pipe High Temperature Thermostat: A high temperature limiter is installed on the vent pipe. If this sensor is exposed to temperatures higher than 104° F then the circulation fan blower is switched on.
4. Vent Pipe Low Temperature Thermostat: If the stove cools below a minimum temperature the stove will switch off. This may occur when the operating procedure fails to quickly and sufficiently heat the stove.
5. Fuse: A fuse on the rear of the device protects the stove from power surges. See Figure 27.



Figure 27 Fuse

PELLET STOVE CLEANING SCHEDULE

DAILY CLEANING

Step 1:

Shut down the stove and let it cool completely.

Step 2:

Grab your ash vacuum to remove ash and debris from the firepot and surrounding area, as well as any piles of ash or debris that you see.

Step 3:

Lift up and remove firepot – be certain this area is clear of debris. Vacuum under the firepot, taking special care to vacuum the airway under the firepot.

Step 4:

Grab your cleaning tool and move to the firepot. Scrape any debris out of the firepot, making sure that all of the holes in the firepot are free from any buildup.

Step 5:

Wipe down the glass. Never clean the glass with cool water or cleaner when the glass is still warm, since this can cause the glass to crack. The method we recommend requires a damp paper towel or cloth. Dab it on to cooled ashes and then wipe down the glass starting from the top.

Step 6:

Certain models have ash drawers. It is a good idea to empty it every time you clean your stove. You can use an ash vacuum to clean the ashes out of the drawer.

Step 7:

The mini models have cleaning rods. Your cleaning rods should be used daily after the stove has cooled down. These are cleaning inside of the exhaust where ash and debris can build up. When too much build up occurs your stove will not have the proper amount of airflow.

WEEKLY CLEANING

Step 1:

Recommend letting the stove run out of pellets so the hopper is empty. Vacuum out the hopper. Clean any dust out of the hopper and inspect your auger.

Step 2

The medium and large models have flue plates. Remove the center flue plate by sliding it up. After the center flue plate is slid up and out you can remove the left and right plates. Vacuum and brush off the flue plates, scrape away any clinkers and build-up. Check the walls behind the flue plates for any debris. Be sure to vacuum behind the flue plates as well.

Step 3:

If equipped, remove the ash drawer and vacuum out the drawer. Then brush and scrape away any slag and build up. Make sure the area under the drawer is also clean.

Step 4:

Inspect auger chute. If you notice any build-up of creosote or pellet dust, clean the chute with a wire brush.

EVERY OTHER WEEK

Go outside, and visually inspect the termination cap on the exhaust. Make sure animals are not trying to make it their home and check for any buildup of ash on the grate.

AT LEAST ONCE A MONTH

Step 1:

Use a cleaning brush to clear out the air inlet, located beneath the fire pot going towards the back of the stove; exact placement and size will vary from model to model.

Step 2:

For the Medium and Large models with the flue plates, the exhaust port is behind a flue plate, left of the firepot. Be sure to clean that with a wire brush and vacuum.

Step 3:

Use a cleaning brush to clear out the air exhaust ports in your burn chamber. The number of exhaust ports varies from model to model.

For the Mini models: There are four exhaust ports are at the top of the burn chamber.

For the Bayfront models: There are two exhaust ports on the top of the burn chamber.

Verifying they are clear will ensure optimal airflow in the chamber.

EVERY TWO (2) TONS OF PELLETS, OR EVERY OTHER MONTH

Inspect the clean out tee. Remove any ash that has built up and reseal the connection if necessary.

ANNUALLY

- It is important to remove the combustion fan, use a wire brush on creosote, and vacuum debris. This is important for under the fan and on the fan itself. When you remove the combustion fan, if the gasket is torn you can remove the gasket and use red RTV high temperature silicone to make a new gasket for the fan.
- You may need to remove the pipe from the back of your stove and use a wire brush and vacuum to clean that as well.
- It may be necessary to hire a chimney sweep to clean out your venting system regularly. You must take special care with elbows as they can build up creosote more than straight pipes.
- It is also a good idea to clean your inlet duct yearly as well.


For the Mini models: It is located behind the right-hand side panel. There is an air inlet cover that must be removed, and the airway should be cleaned. If the gasket gets torn or damaged a new one can be made with red RTV.

For the Bayfront models: The airways have an opening behind the ash drawer. The ash drawer will need to be removed completely, and the covers can be removed with a 3MM Allen key. A wire brush and a vacuum can be used to clean the airways.

ERROR CODES

NOTE: IN THE EVENT OF A POWER FAILURE (ERROR CODE E7), A SMALL AMOUNT OF SMOKE MAY BE EMITTED. THIS LASTS 3 TO 5 MINUTES AND DOES NOT REPRESENT A SAFETY RISK.

⚠ CAUTION: IF OVERHEATING HAS OCCURRED (ERROR CODES E5 AND E6), THEN AN INSPECTION, MAINTENANCE, AND/OR CLEANING MUST OCCUR BEFORE THE STOVE CAN SAFELY BE OPERATED AGAIN.

After following the suggested solution steps, press the confirm button  to clear the error code from the error code from the multi function display screen. Then go through the operation procedure specified on page 15 to restart the heater.

ERROR CODE	CAUSE	SOLUTION
E1	Exhaust temperature is below 40 - 45 °C Operation has been interrupted and the fire has been discontinued.	<ol style="list-style-type: none"> 1. Check that the pellet hopper has fuel. 2. Check that the auger motor is not damaged and is able to fill the firepot with fuel.
E2	Failure to ignite the fuel in fire pot.	<ol style="list-style-type: none"> 1. Check that there are no "clinkers" (glass like lumps of various sizes formed by debris exposed to high heat, more common when using low quality fuel) in fire pot. 2. Check that the firepot is sitting in the holder correctly and that the igniter is not obstructed. 3. Check that the exhaust gas temperature sensor switch, beside the combustion fan, is not broken. 4. Check that the igniter is not broken.
E5	Low pressure detected at the vacuum switch (refer to exploded view).	<ol style="list-style-type: none"> 1. Check that the door, and ash drawer if present, has been closed properly. 2. Check that there is nothing obstructing the exhaust duct nor that the duct is leaking. 3. Check that the combustion fan is not broken.
E6	Failure at the high temperature sensor (located below the pellet hopper).	<ol style="list-style-type: none"> 1. Check that the switch is not broken. 2. The temperature of the sensor is too high. The stove is not running properly. Call customer service.
E7	Power failure.	Press the Confirm button to clear the error code. Then restart the stove. You may chose to skip directly into the stabilization cycle by depressing and holding the rate selector button for 3 seconds.
ESC1	Short circuit at temperature sensor #1 (Exhaust)	<ol style="list-style-type: none"> 1. Check wires and connection points. 2. Contact Tech Support for assistance.
ESO1	Open circuit at temperature sensor #1	<ol style="list-style-type: none"> 1. Check wires and connection points. 2. Contact Tech Support for assistance.
ESC2	Short circuit at sensor #2, hopper temperature	<ol style="list-style-type: none"> 1. Check wires and connection points. 2. Contact Tech Support for assistance.

ERROR CODES CONTINUED

ESO2	Open circuit at temperature sensor #2	<ol style="list-style-type: none"> 1. Check wires and connection points. 2. Contact Tech Support for assistance.
ESC3	Short circuit at room temperature sensor (#3)	<ol style="list-style-type: none"> 1. Check wires and connection points. 2. Contact Tech Support for assistance.
ESO3	Open circuit at temperature sensor #3	<ol style="list-style-type: none"> 1. Check wires and connection points. 2. Contact Tech Support for assistance.

TROUBLESHOOTING

SYMPTOM	CAUSE	SOLUTION
Heater does not turn on.	Power Switch turned off.	Turn on power switch.
	Power Cord disconnected.	<ol style="list-style-type: none"> 1. Press power cord tightly into the heater 2. Ensure that the wall socket is delivering 120 Volts.
	Fuse is blown.	Replace the fuse.
The blower does not turn on during Cleaning Cycle, Feeding Cycle, or Lighting Cycle.	This is normal.	There is no problem, the blower does not turn on until the stabilization cycle.
The blower does not turn on during Stabilization Cycle.	No power in stove or in control panel.	Check the power and wires.
	Mother board disconnected.	Make sure all terminals to mother board are connected.
	Low Temperature sensor is broken.	Replace the low temperature sensor.
During operation, including the Lighting phase, the auger is not filling the firepot with pellets.	No fuel in Pellet Hopper.	Add Fuel to Pellet Hopper.
	Auger is blocked, jammed, or disconnected.	<ol style="list-style-type: none"> 1. Unplug the unit so that it will not start suddenly and then unblock the auger. 2. Check that the auger is not blocked. If it is blocked, remove the cause of the jamming. 3. Check that the auger screw fastening the auger to the motor is secure.
Too much fuel in the firepot. The fuel can not be completely and thoroughly burned.	The feeding speed is faster than what combustion can support.	<ol style="list-style-type: none"> 1. Increase the fan's speed to increase the rate of combustion.

TROUBLESHOOTING CONTINUED

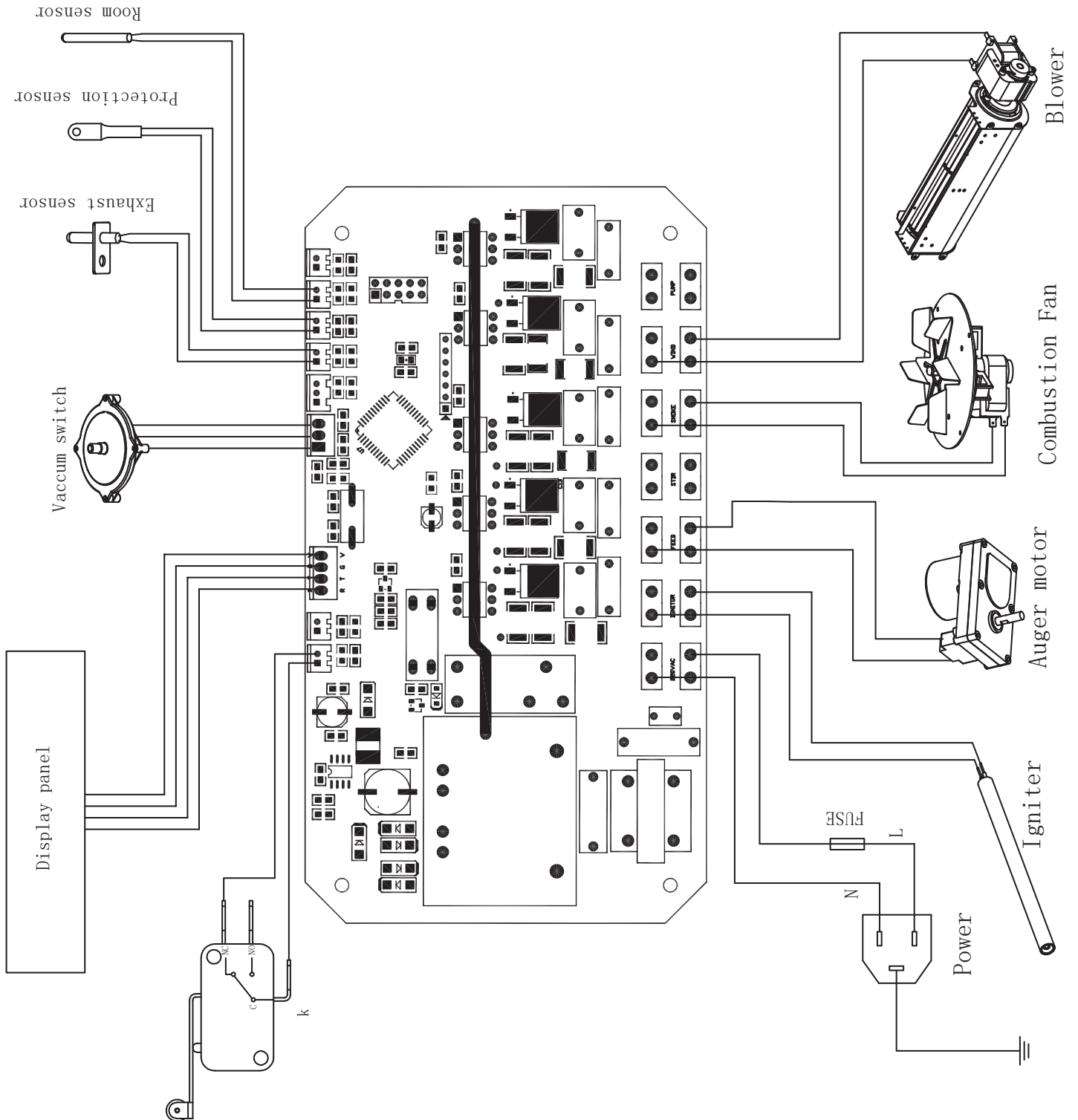
SYMPTOM	CAUSE	SOLUTION
Not enough fuel in the firepot.	The feeding speed is too low to support the rate of combustion.	1. Decrease the fan's speed to decrease the rate of combustion.
After the fire has started, the stove turns off 15 minutes later.	The pellet hopper is low on fuel.	Check that the pellet hopper has a sufficient amount of fuel.
	The auger is not operating.	1. Unplug the unit so that it will not start suddenly and then unblock the auger. 2. Check that the auger is not blocked. If it is blocked, remove the cause of the jamming. 3. Check that the auger screw fastening the auger to the motor is secure.
	The 30 ° C temperature switch has triggered.	1. Check that wires to the switch are sufficiently connected. 2. Replace the 30 ° C temperature switch.
	The pressure switch inside the stove is broken.	Replace the pressure switch.
Orange flame, pellets piling up in firepot, carbon residue forming on glass.	Insufficient air for sufficient combustion.	1. Check that the air inlet vent in the front is open. 2. Check that the door and window gaskets are intact. 3. Check if the air inlet ducting and the combustion exhaust ducting are blocked. 4. Increase the cross sectional area of the ducting. 5. Increase the fan's speed to increase the rate of combustion. 6. Contact the manufacturer for assistance.
The fire extinguishes and the power shuts off.	No fuel in Pellet Hopper.	Add Fuel to Pellet Hopper.
	Auger is blocked or jammed or disconnected.	1. Unplug the unit so that it will not start suddenly and then unblock the auger. 2. Check that the auger is not blocked. If it is blocked, remove the cause of the jamming. 3. Check that the auger screw fastening the auger to the motor is secure.
	The feeding speed is too low to support the rate of combustion.	1. Decrease the fan's speed to decrease the rate of combustion.
	The 30 ° C temperature switch has triggered.	1. Check that wires to the switch are sufficiently connected. 2. Replace the 30 ° C temperature switch.

TROUBLESHOOTING CONTINUED

SYMPTOM	CAUSE	SOLUTION
The fire extinguishes and the power shuts off (continued).	Requested temperature has been reached.	This is normal "ECO" mode behavior. The stove will automatically switch on once the ambient room temperature drops below the temperature that the stove is set to maintain.
The circulation blower continues to operate after the stove is cool and the fuel consumption has ceased.	The 30 ° C temperature switch has triggered.	<ol style="list-style-type: none"> 1. Check that wires to the switch are sufficiently connected. 2. Replace the 30 ° C temperature switch.
The stove is not circulating a sufficient volume of sufficiently hot air.	The fuel is inadequate.	Use pellet fuel specified by this manual.
	The circulating blower is set too slow or is compromised.	<ol style="list-style-type: none"> 1. If the blower is broken, change out the blower 2. If the mother board which connects to the blower is broken, change out the mother board.
	Heat exchange tubes or flue pass is dirty.	Clean the heat exchanger tubes or flue pass.

WIRING DIAGRAM

NOTE: IF ANY OF THE ORIGINAL WIRE AS SUPPLIED WITH THE APPLIANCE MUST BE REPLACED, IT MUST BE REPLACED WITH WIRING MATERIAL HAVING A TEMPERATURE RATING OF AT LEAST 105 C AND RATED FOR 600V

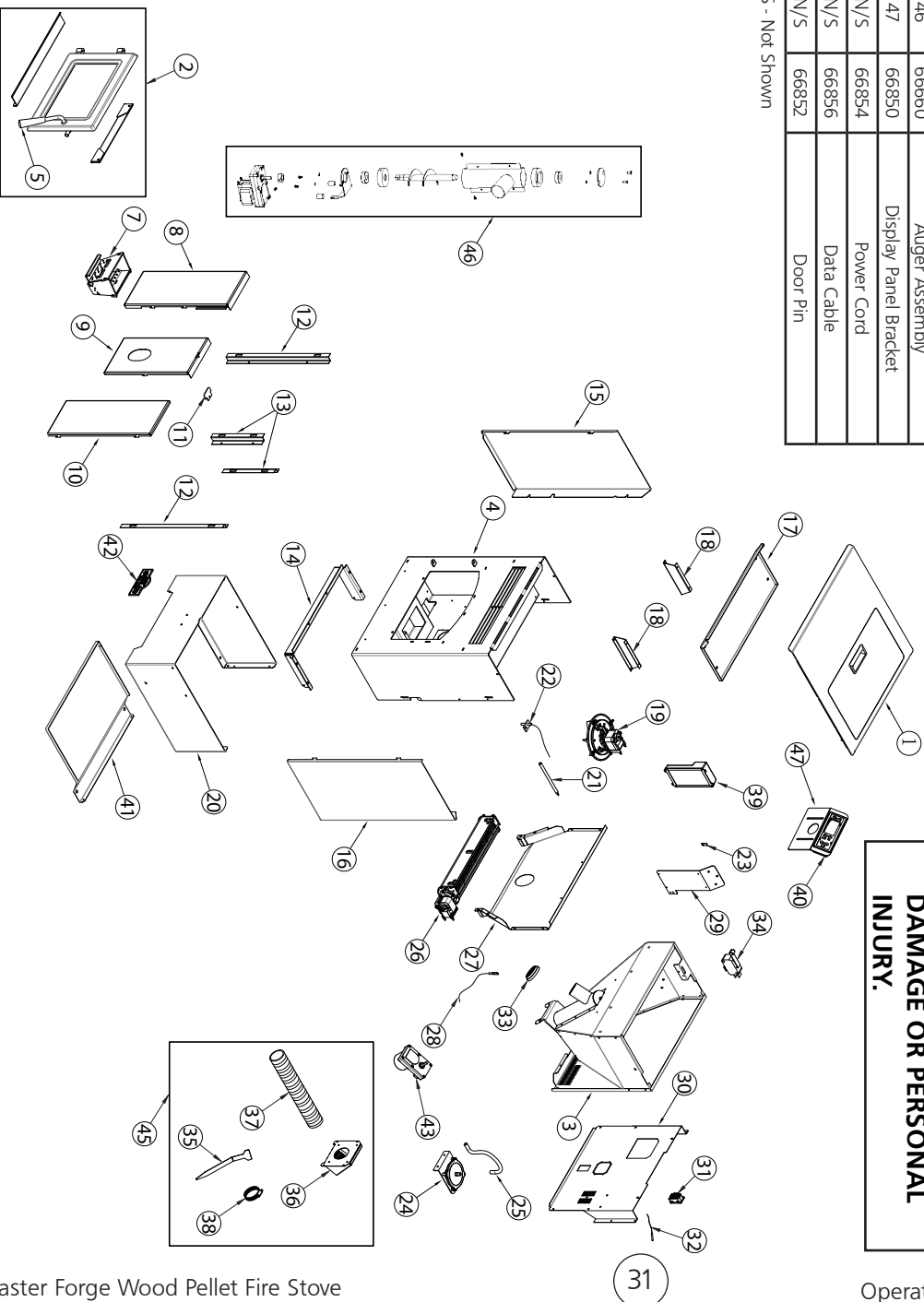


SERVICE PARTS MODEL H80XL

NO.	P/N	DESCRIPTION
1	66623	Top Cover
2	66624	Door Assembly
3	n/a	Hopper
4	n/a	Main Body
5	66603	Door Handle
7	66625	Fire Pot
8	66931	Flue Board-Left
9	66933	Flue Board-Middle
10	66932	Flue Board-Right
11	n/a	Upper Flue Plate
12	n/a	Flue Fixed Plate-Long
13	n/a	Flue Fixed Plate-Short
14	n/a	Pedestal Fixed Plate
15	66736	Left Side panel
16	66737	Right Side panel
17	n/a	Thermal Insulation Plate
18	n/a	Insulation Support Plate
19	66607	Combustion Blower
20	n/a	Pedestal Plate
21	66608	Igniter
22	66609	Exhaust Sensor
23	n/a	Grounding Screw
24	66628	Vacuum Switch
25	66629	Vacuum Switch Silicone Tube
26	66630	Circulation Blower
27	n/a	Chamber Insulation Cover
28	66613	Hopper Safety Sensor
29	n/a	Motherboard Fixed Plate
30	66631	Rear Cover
31	66615	Power Socket
32	66616	Room Sensor
33	66622	Silicone Rubber Sealing Ring
34	66617	Hopper Lid Switch
35	66855	Cleaning Tool (see # 45)
36	n/a	Fresh Air Intake Vent (see # 45)

NO.	P/N	DESCRIPTION
37	n/a	Aluminum Expansion Tube (see # 45)
38	n/a	Clamp (see # 45)
39	66618	Motherboard
40	66619	Display Panel
41	n/a	Inner Pedestal Plate
42	n/a	Nameplate
43	66621	Auger Motor
44	66658	Remote (not shown)
45	66659	Accessory Kit
46	66660	Auger Assembly
47	66850	Display Panel Bracket
N/S	66854	Power Cord
N/S	66856	Data Cable
N/S	66852	Door Pin

N/S - Not Shown

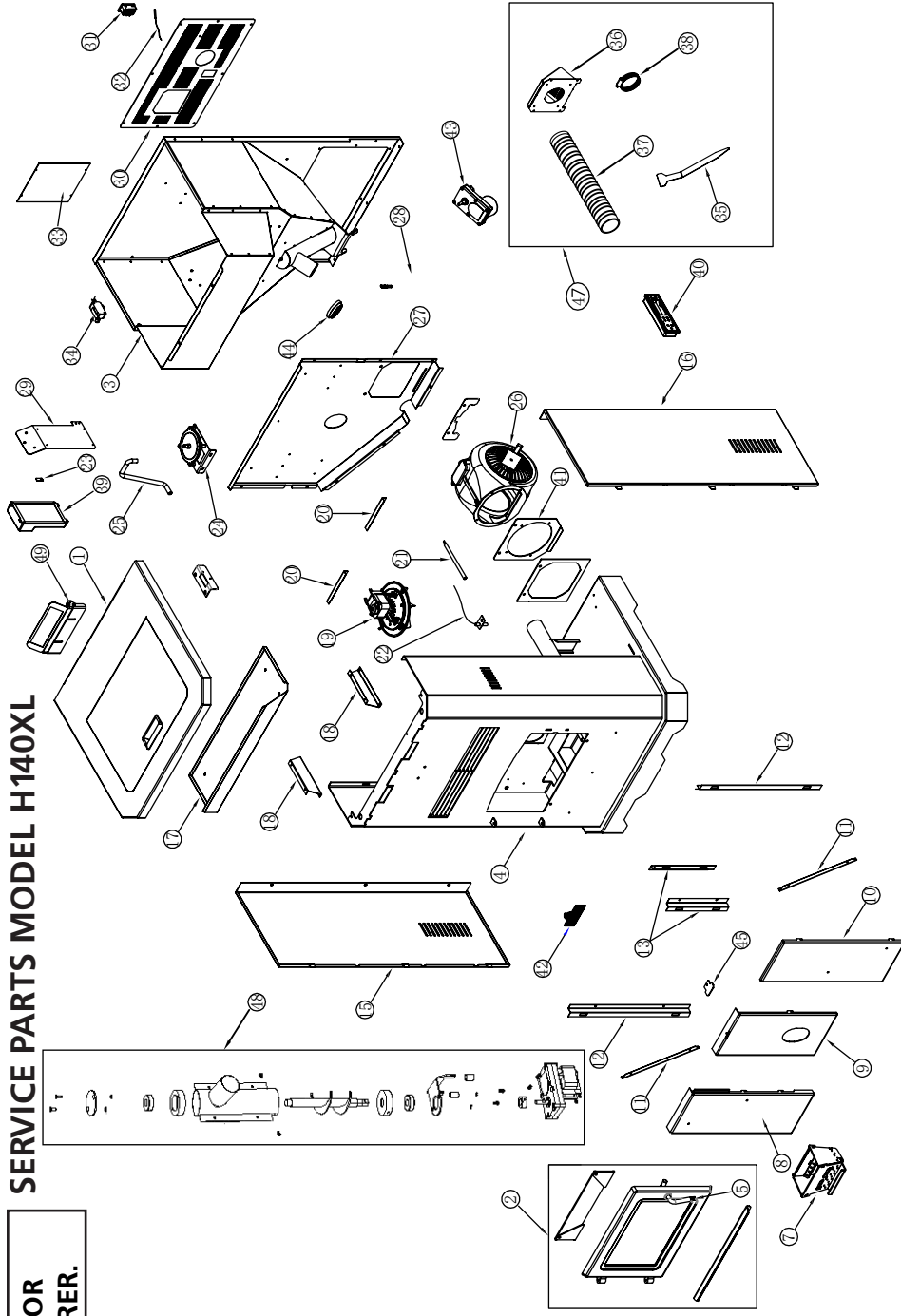


NOTE: NOT ALL PARTS AVAILABLE. FOR QUESTIONS CONTACT MANUFACTURER.

⚠ WARNING: FAILURE TO POSITION THE PARTS IN ACCORDANCE WITH THESE DIAGRAMS OR FAILURE TO USE ONLY PARTS SPECIFICALLY APPROVED WITH THIS STOVE MAY RESULT IN PROPERTY DAMAGE OR PERSONAL INJURY.

NOTE: NOT ALL PARTS AVAILABLE. FOR QUESTIONS CONTACT MANUFACTURER.

WARNING: FAILURE TO POSITION THE PARTS IN ACCORDANCE WITH THESE DIAGRAMS OR FAILURE TO USE ONLY PARTS SPECIFICALLY APPROVED WITH THIS STOVE MAY RESULT IN PROPERTY DAMAGE OR PERSONAL INJURY.



SERVICE PARTS MODEL H140XL

NO.	P/N	DESCRIPTION
1	66601	Top Cover
2	66602	Door Assembly
3	n/a	Hopper
4	n/a	Main Body
5	66603	Door Handle
7	66604	Fire Pot
8	66934	Flue Plate-Left
9	66862	Flue Plate-Middle
10	66935	Flue Plate-Right
11	n/a	Flue Plate Reinforcement
12	n/a	Flue Fixed Plate-Long
13	n/a	Flue Fixed Plate-Short
15	66738	Left Side Panel
16	66739	Right Side Panel
17	n/a	Thermal Insulation Board
18	n/a	Insulation Support Plate
19	66607	Combustion Blower
20	n/a	Reinforcing Plate
21	66608	Igniter
22	66609	Exhaust Sensor
23	n/a	Ground Screw
24	66610	Vacuum Switch
25	66611	Silicone Tube
26	66612	Circulation Blower
27	n/a	Chamber Insulation Cover

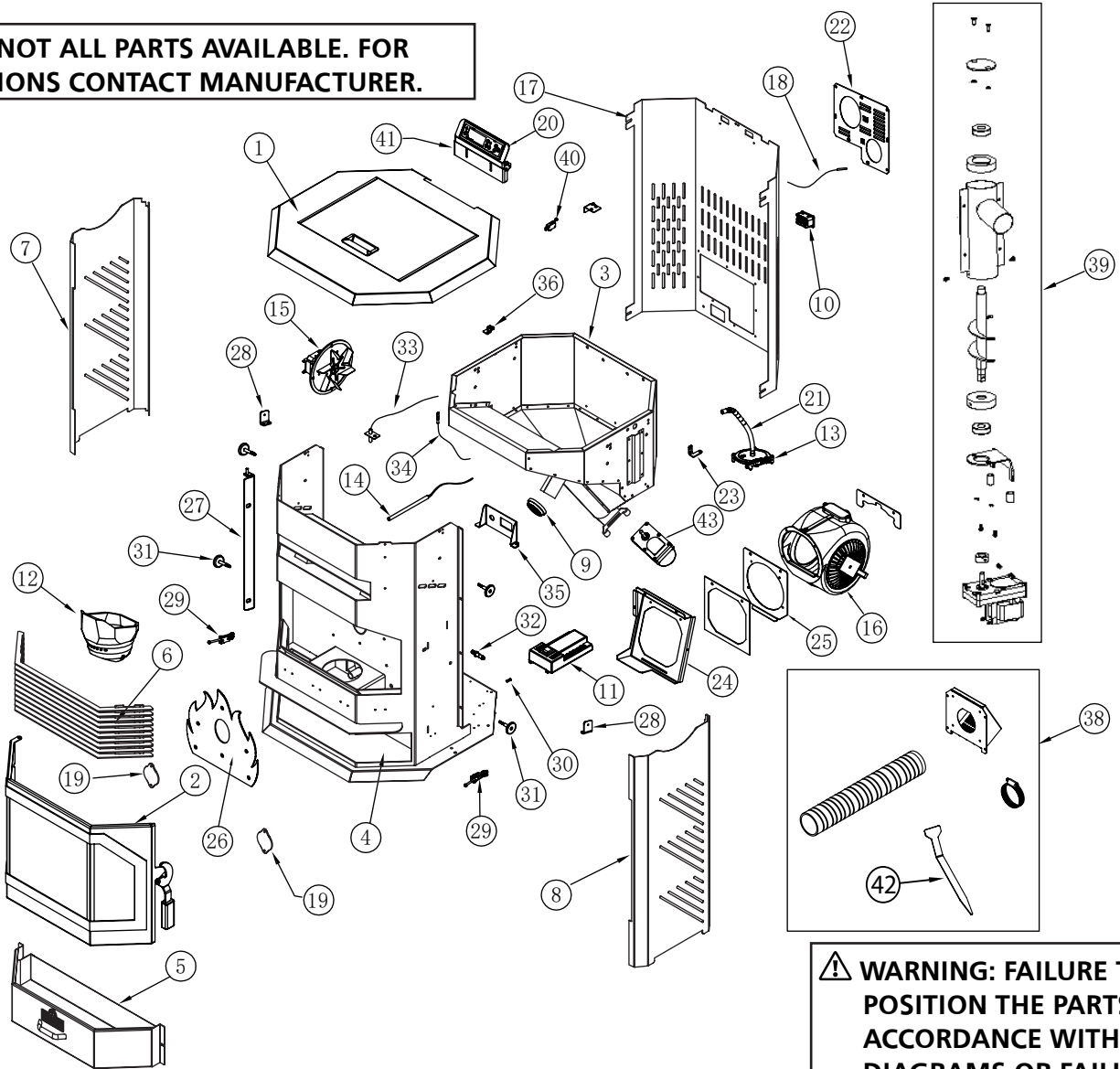
NO.	P/N	DESCRIPTION
28	66613	Hopper Safety Sensor
29	n/a	Motherboard Fixed Plate
30	66614	Rear Cover
31	66615	Power Socket
32	66616	Room Sensor
33	n/a	Rating Label
34	66617	Hopper Lid Switch
35	66855	Cleaning Tool (see # 47)
36	n/a	Fresh Air Intake Vent (see # 47)
37	n/a	Aluminum Expansion Tube (see # 47)
38	n/a	Clamp (see # 47)
39	66618	Motherboard
40	66619	Display Panel

NO.	P/N	DESCRIPTION
41	66620	Blower Fixed Plate
42	n/a	Nameplate
43	66621	Auger Motor
44	66622	Silicone Rubber Sealing Ring
45	n/a	Upper Flue Plate
46	66658	Remote (not shown)
47	66659	Accessory Kit
48	66660	Auger Assembly
49	66850	Display Panel Bracket
N/S	66854	Power Cord
N/S	66856	Data Cable
N/S	66852	Door Pin

N/S - Not Shown

SERVICE PARTS MODEL H3W80XL

NOTE: NOT ALL PARTS AVAILABLE. FOR QUESTIONS CONTACT MANUFACTURER.



⚠ WARNING: FAILURE TO POSITION THE PARTS IN ACCORDANCE WITH THESE DIAGRAMS OR FAILURE TO USE ONLY PARTS SPECIFICALLY APPROVED WITH THIS STOVE MAY RESULT IN PROPERTY DAMAGE OR PERSONAL INJURY.

NO.	P/N	DESCRIPTION
1	66632	Top Cover
2	66633	Door
3	n/a	Hopper
4	n/a	Main Body
5	66634	Ash Pan
6	n/a	Decorative Plate
7	66740	Left Side Panel
8	66741	Right Side Panel
9	66622	Silicone Rubber Sealing Ring
10	66615	Power Socket
11	66637	Motherboard
12	66638	Fire Pot
13	66639	Vacuum Switch
14	66640	Igniter
15	66641	Combustion Blower
16	66612	Circulation Blower
17	66742	Rear Cover

NO.	P/N	DESCRIPTION
18	66643	Room Sensor
19	n/a	Flue Sealing Plate
20	66644	Display Panel
21	66645	Pressure Device Silicone Tube
22	66646	Rear Sealing Plate
23	66647	Right Side Panel Hinge
24	66648	Blower Bracket
25	66620	Blower Fixed Plate
26	n/a	Fireproof Plate
27	66649	Door Hinge
28	66650	Rear Cover Fixed Plate
29	66651	Ash Pan Lock Parts
30	n/a	Ground Screw
31	66652	Magnet
32	66653	Door, Latch
33	66654	Exhaust Sensor
34	66655	Hopper Safety Sensor

NO.	P/N	DESCRIPTION
35	66656	Socket Fixed Plate
36	66657	Left Side Panel Hinge
37	66658	Remote (not shown)
38	66659	Accessory Kit
39	66660	Auger Assembly
40	66617	Hopper Lid Switch
41	66850	Display Panel Bracket
42	66855	Cleaning Tool (See # 38)
43	66621	Auger Motor
N/S	66854	Power Cord
N/S	66856	Data Cable
N/S	66859	Door Pin

N/S - Not Shown



OPERATING INSTRUCTIONS AND OWNER'S MANUAL

Model #
H80XL
H140XL
H3W80XL

READ INSTRUCTIONS CAREFULLY: Please read this entire manual before installation and use of this pellet fuel-burning room heater. Failure to follow these instructions could result in property damage, bodily injury or even death. Do not allow anyone who has not read these instructions to assemble, light, adjust or operate the stove. Place instructions in a safe place for future reference.

WARNING:

USE ONLY MANUFACTURER'S REPLACEMENT PARTS. USE OF ANY OTHER PARTS COULD CAUSE INJURY OR DEATH. REPLACEMENT PARTS ARE ONLY AVAILABLE DIRECT FROM THE FACTORY AND MUST BE INSTALLED BY A QUALIFIED SERVICE AGENCY.

PARTS ORDERING INFORMATION:

PURCHASING: ACCESSORIES MAY BE PURCHASED AT ANY MASTER FORGE LOCAL DEALER OR DIRECT FROM THE FACTORY

FOR INFORMATION REGARDING SERVICE:

Please call Toll-Free 1-833-950-1184

Our office hours are 8:00 AM – 5:00 PM, EST, Monday through Friday.

Please include the model number, date of purchase, and description of problem in all communication.

LIMITED WARRANTY:

Enerco Group, Inc. (EGI) warrants Master Forge Pellet Fire Stoves to be free from imperfections in workmanship or material, at the date of manufacture. After installation, If covered components are found to be defective in workmanship or material during the applicable warranty period then the company, at its option, will repair or replace products returned by the buyer to the factory, transportation prepaid within applicable warranty period and found by the company to have imperfections in material or workmanship. The warranty period of the covered components is defined in the table below:

Components Covered	Warranty Period (Parts only, Labor not included)
Electrical	1 years
Steel parts (excluding fire pot)	5 years

If a part is damaged or missing, call our Technical Support Department at 1-833-950-1184.

Address any Warranty Claims to the Service Department, ENERCO GROUP, INC., 4560 W. 160TH ST., CLEVELAND, OHIO 44135. Include your name, address and telephone number, the model and serial number of your product, and include details concerning the claim. Also, supply us with the purchase date and the name and address of the dealer from whom you purchased our product.

The foregoing is the full extent of the responsibility of the Company. There are no other warranties, express or implied. Specifically there is no warranty of fitness for a particular purpose and there is no warranty of merchantability. In no event shall the Company be liable for delay caused by imperfections, for consequential damages, or for any charges of the expense of any nature incurred without its written consent. The cost of repair or replacement shall be the exclusive remedy for any breach of warranty. There is no warranty against infringement of the like and no implied warranty arising from course of dealing or usage of trade. This warranty will not apply to any product which has been repaired or altered outside of the factory in any respect which in our judgment affects its condition or operation. This warranty does not cover damage or breakage due to misuse, abuse or modifications. There is no warranty on any paint, glass, gasket or fire brick. There is no warranty on the fire pot. There is no warranty against damage caused by corrosion.

Some states do not allow the exclusion or limitation of incidental or consequential damages, so the above limitation or exclusion may not apply to you. This Warranty gives you specific legal rights, and you may have other rights which vary from state to state.

ENERCO GROUP, INC. reserves the right to make changes at any time, without notice or obligation, in colors, specifications, accessories, materials and models.

ENERCO GROUP INC., 4560 W. 160TH ST., CLEVELAND, OHIO 44135
© 2024, Enerco Group. All rights reserved



Report Number : F23-240

ASTM E1509-22

CAN/ULC-S627:2023

US Patent Pending

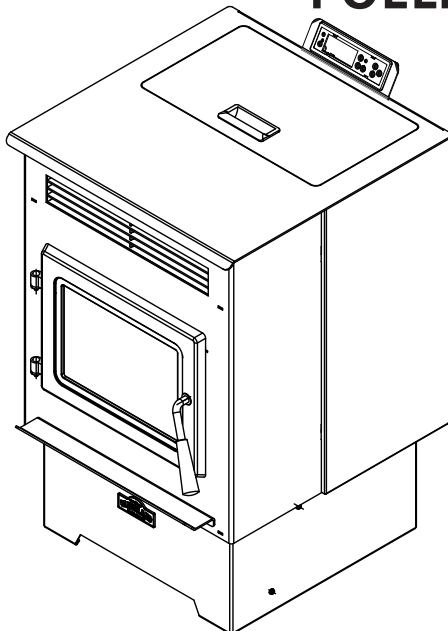


GUIDE DU PROPRIÉTAIRE ET INSTRUCTIONS D'UTILISATION

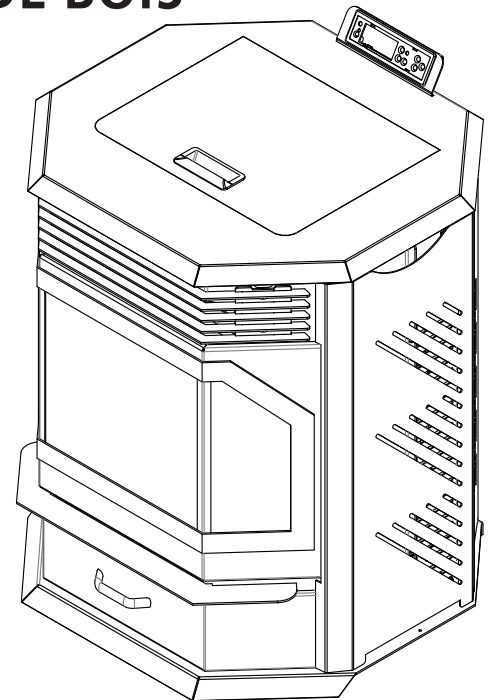
N° de modèle
H80XL
H140XL
H3W80XL

LIRE LES INSTRUCTIONS ATTENTIVEMENT : Veuillez lire le présent manuel au complet avant d'installer et d'utiliser ce poêle à grenailles de bois. Ne pas suivre les directives comprises pourrait résulter en des dommages matériels ou des blessures graves, voire la mort. Ne pas laisser quiconque qui n'a pas lu les instructions du présent manuel assembler, allumer, régler ou faire fonctionner le poêle. Remiser ce manuel dans un endroit sûr pour référence ultérieure.

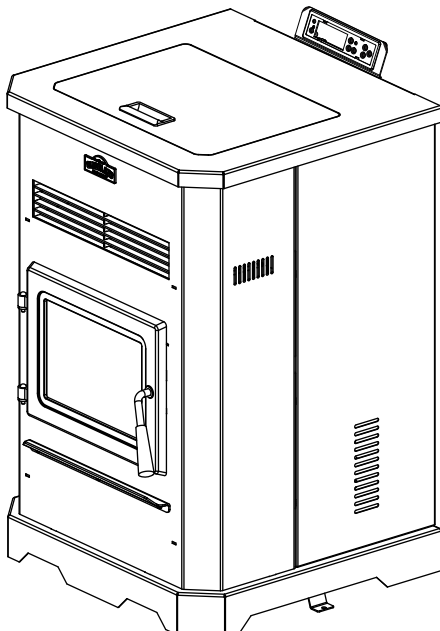
POÊLE À GRENAILLES DE BOIS



H80XL



H3W80XL



H140XL



POUR DÉTERMINER VOTRE BESOIN DE PERMIS, CONSULTEZ LES AUTORITÉS AYANT JURIDICTIONS DANS VOTRE LOCALITÉ (AUTORITÉS DE PRÉVENTION DES INCENDIES, SERVICE DE LA CONSTRUCTION MUNICIPAL, ETC.). RESPECTEZ TOUS LES CODES DE LA CONSTRUCTIONS LOCAUX.

Enerco Group Inc.

4560 West 160th st Cleveland, Ohio 44135 1-833-950-1184

66730 REV H

AVERTISSEMENTS GÉNÉRAUX DE DANGERS :

- ⚠ NE PAS SE CONFORMER AUX PRÉCAUTIONS ET INSTRUCTIONS FOURNIES PEUT RÉSULTER EN UN DÉCÈS DE PERSONNE OU DES BLESSURES GRAVES ET DES DOMMAGES MATÉRIELS RÉSULTANT DES DANGERS D'INCENDIE, DE DÉFLAGRATION, DE BRÛLURE, D'ASPHYXIATION D'EMPOISONNEMENT AU MONOXYDE DE CARBONE ET/OU DE CHOC ÉLECTRIQUE.
- ⚠ SEULES LES PERSONNES POUVANT COMPRENDRE ET SUIVRE LES INSTRUCTIONS DEVRAIENT UTILISER OU ENTREtenir CE POÊLE.
- ⚠ POUR TOUTE ASSISTANCE, RENSEIGNEMENT OU POUR UN EXEMPLAIRE DU MANUEL D'INSTRUCTION, OU D'ÉTIQUETTES DE REMPLACEMENT, VEUILLEZ COMMUNIQUER AVEC LE FABRICANT.

AVERTISSEMENT :

- ⚠ DANGER D'INCENDIE, DE BRÛLURE, D'ÉMANATIONS ET DE DÉFLAGRATION. GARDER LES MATIÈRES COMBUSTIBLES SOLIDES TEL LES MATÉRIAUX DE CONSTRUCTION, LE CARTON OU LE PAPIER À UNE DISTANCE SÉCURITAIRE DU POÊLE SELON LES RECOMMANDATIONS DU MANUEL, NE JAMAIS UTILISER LE POÊLE DANS UN LIEU AYANT OU QUI A POSSIBILITÉ D'AVOIR DES MATIÈRES VOLATILES EN SUSPENSION DANS L'AIR OU DES PRODUITS COMME L'ESSENCE, DES SOLVANTS, DES DILUANTS À PEINTURE, DE LA POUSSIÈRE OU DES PRODUITS CHIMIQUES INCONNUS.

- ⚠ **AVERTISSEMENT :** Ce produit peut vous exposer à des produits chimiques incluant le plomb et des composés du plomb, reconnus par l'État de la Californie causer le cancer et des défauts congénitaux ou d'autres sévices du système reproducteur. Pour plus d'information visitez www.P65Warnings.ca.gov

Table des matières

SPECIFICATIONS.....	3
COMMENCER.....	4
PRÉCAUTIONS DE SÉCURITÉ.....	5
DISTANCES DE DÉGAGEMENT DES MATÉRIAUX COMBUSTIBLES.....	6
DÉBALLAGE ET ASSEMBLAGE.....	7
INSTALLATION.....	8
EXIGENCES SUPPLÉMENTAIRES POUR LES MAISONS MOBILES	12
FONCTIONNEMENT.....	14
CONNEXION WI-FI « SMART STOVE ».....	16
COMMANDES WI-FI.....	17
COMMANDES MULTIFONCTIONS.....	18
OPÉRATION MANUELLE DU POÊLE.....	19
ENTRETIEN.....	20
SCHÉMA DE CÂBLAGE.....	30
PIÈCES DE SERVICE.....	31

INFORMATIONS ÉMISES À LA FCC

MISE EN GARDE: Tout changement ou modification qui ne serait pas approuvé expressément par la partie responsable de sa conformité peut causer l'annulation de l'autorité de l'utilisateur de faire fonctionner cet équipement.

REMARQUE: Cet appareil a été testé et a été déterminé comme conforme aux limites d'un appareil numérique de Classe B, conformément à la Section 15 des réglementations FCC. Ces limites sont conçues pour offrir une protection raisonnable contre une interférence nuisible dans une installation résidentielle. Cet appareil génère, et peut irradier de l'énergie en radiofréquence et, s'il n'est pas installé et utilisé en conformité avec ces instructions, il peut causer une interférence nuisible aux communications radio. Toutefois, il n'est pas garanti qu'une telle interférence ne puisse survenir dans une installation particulière. Si l'appareil cause une interférence nuisible à la réception radio ou télévisuelle, ce qui peut être déterminé en mettant en marche l'appareil puis en l'éteignant, l'utilisateur est encouragé à tenter de corriger cette interférence par une ou l'autre des mesures suivantes:

- Réorienter ou relocaliser l'antenne réceptrice.
- Augmenter la distance de séparation entre l'appareil et le récepteur.
- Connecter l'appareil dans une prise de courant qui se trouve sur un circuit différent de celui dans lequel le récepteur est connecté.
- Consulter le détaillant ou un technicien expérimenté en radio/télé pour de l'aide.

Le présent manuel décrit la procédure d'installation et de fonctionnement des poêles à grenailles de bois Master Forge. Votre poêle est conforme aux limites d'émission de l'EPA (Environmental Protection Agency) des États-Unis pour les poêles à grenailles fabriqués après l'année 2020. Sous des conditions d'essai précises, il a été déterminé que ces poêles produisent une sortie de chaleur entre :

H80XL : 10 771 et 30 124 Btu/h

H140XL : 12 746 à 29 501 Btu/h

H3W80XL : 11 624 à 30 173 Btu/h

Master Forge Poêle à grenailles de bois

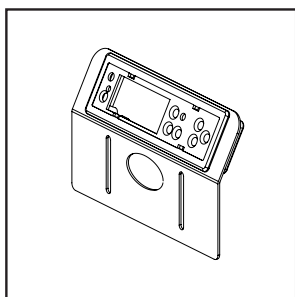
SPÉCIFICATIONS

N° de modèle	H80XL	H140XL	H3W80XL
DIMENSIONS			
Poids du poêle [kg (lb)]	80 (177)	97 (202)	105 (231)
Dimensions du poêle prof.x larg.x haut. [cm (po)]	59,7 x 55,2 x 99,7 (23,5 x 21,75 x 39,25)	61,0 x 62,2 x 100,3 (24,0 x 24,5 x 39,5)	66,5 x 62,3 x 81,3 (26,2 x 24,5 x 32)
Diamètre du tuyau d'entrée d'air [mm (po)]	50 (2)	50 (2)	50 (2)
Diamètre du tuyau de sortie d'air [mm (po)]	80 (3)	80 (3)	80 (3)
Capacité de la trémie de grenailles [kg (lb)]	36,3 (80)	63,5 (140)	36,3 (80)
SPÉCIFICATIONS DE FONCTIONNEMENT			
Carburant	Grenailles de bois	Grenailles de bois	Grenailles de bois
Chauffe approximativement ** [m ² (pi ²)]	139 - 204 (1500 - 2200)	186 - 279 (2000 - 3000)	167 - 232 (1800 - 2500)
Monoxyde de carbone produit (g/min)	Sur réglage élevé : 0,32 Sur réglage bas : 0,18	Sur réglage élevé : 0,20 Sur réglage bas : 0,36	Sur réglage élevé : 0,11 Sur réglage bas : 0,21
Taux de consommation de grenailles sur réglage bas [kg/h (lb/h)]	0,72 - Sec (1,59)	0,90 - Sec (1,98)	0,79 - Sec (1,74)
Taux de consommation de grenailles sur réglage moyen [kg/h (lb/h)]	0,92 - Sec (2,03)	1,28 - Sec (2,82)	1,07 - Sec (2,36)
Taux de consommation de grenailles sur réglage élevé [kg/h (lb/h)]	1,98 - Sec (4,37)	2,19 - Sec (4,83)	2,12 - Sec (4,67)
Rendement du poêle	84%	77%	80%
Taux de sortie de chaleur bas [BTU/ HR (kW)]	10,771 (3,16)	12,746 (3,74)	11,624 (3,41)
Taux de sortie de chaleur moyen [BTU/HR (kW)]	13,910 (4,08)	18,088 (5,30)	15,511 (4,55)
Taux de sortie de chaleur élevé [BTU/HR (kW)]	30,124 (8,83)	29,501 (8,65)	30,173 (8,84)
SPÉCIFICATIONS ÉLECTRIQUES			
Exigences d'alimentation électrique (Tension/Fréquence/Phase)	120 V / 60 Hz / 1	120 V / 60 Hz / 1	120 V / 60 Hz / 1
Courant électrique durant la phase d'allumage (Ampères)	3,3	3,3	3,3
Vitesse de rotation du moteur de la tarière (t/min)	2,4	2,4	2,4

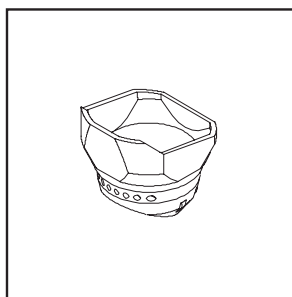
* L'énergie (BTU) de sortie variera selon la marque du combustible utilisé.

** Selon degré d'isolation de la pièce et la zone climatique. Les différences de climat et la localisation affectent les attributs comme le rendement du poêle et la production de monoxyde e carbone.

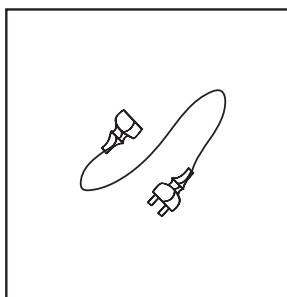
COMMENCER



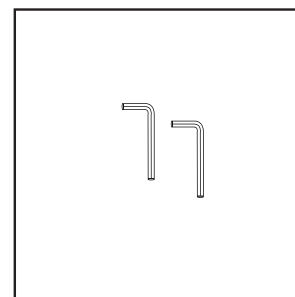
Panneau d'affichage



Pot de feu

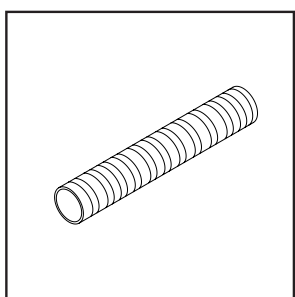


Cordon d'alimentation électrique

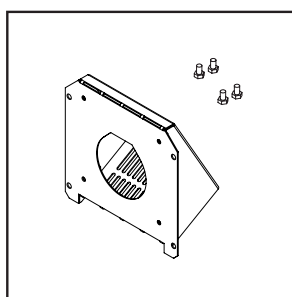


Clés Allen (x2)

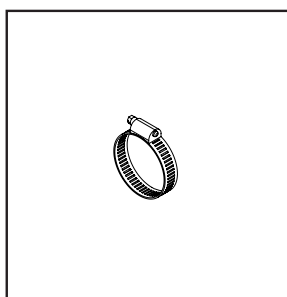
KIT D'ACCESSOIRES



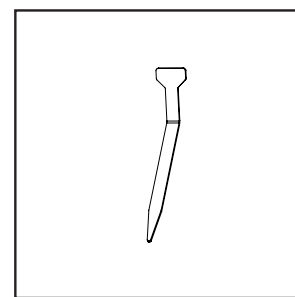
Tuyau flexible



Limite de terminaison et
Des vis (x4)



Collier de serrage



Outil de nettoyage

CE DONT VOUS AVEZ BESOIN (NON FOURNIS) OUTILS REQUIS

- Ruban à mesurer
- Tournevis Phillips (manuel ou électrique).
- Localisateur de montants
- Fil à plomb
- Scie sauteuse
- Silicone haute température ou scellant haute température ou ruban de conduit de fumée haute température
- Protection de plancher (voir SUPERFICIE DE PLANCHER et MATÉRIAUX DE REVÊTEMENT DE SOL à la page 6)
- Tuyau d'évent de 80 mm (3 po) de diamètre de type « L » ou « PL » portant les sceaux d'enregistrement UL 641, ULC S609 (Norme « Standard for 650 C Factory-Built Chimneys »), ou ULC/ORD C441. Installer selon les instructions du fabricant de cheminée (voir page 9)

ÉQUIPEMENT DE SÉCURITÉ (RECOMMANDÉ)

- Lunettes de sécurité
- Gants
- Chaussures fermées
- Un assistant (le poêle est lourd, ne tentez pas de le déplacer par vous-même).

INFORMATIONS SUR LA PILE

La télécommande qui est livrée avec votre poêle est fournie avec deux (2) pile au AAA, déjà installée.

IMPORTANTE:

- Les piles qui ne sont pas rechargeables ne doivent pas être rechargées.
- Les piles doivent être insérées avec la bonne polarité.
- Les piles épuisées doivent être retirées de la télécommande.
- Mise en garde : Éviter l'ingestion d'une ou de plusieurs piles.

⚠ AVERTISSEMENT : NE PAS JETER LES PILES DANS LE FEU. LES BATTERIES PEUVENT EXPLOSER OU FUTER.

⚠️ AVERTISSEMENT

- **DANGER D'INGESTION** : Ce produit contient une pile bouton ou une pile mince.
- **UN DÉCÈS** ou des blessures graves peuvent survenir en cas d'ingestion.
- Si avalée, une pile bouton ou une pile mince peut causer des **brûlures chimiques internes** en aussi peu de temps que **2 heures**.
- **GARDER** les piles neuves et épuisées **HORS DE PORTÉE DES ENFANTS**
- **Consulter immédiatement un professionnel de la santé** si vous suspectez qu'une pile a été avalée ou insérée à l'intérieur d'une partie du corps.



- Appeler un centre antipoison local pour déterminer les informations de traitement.
- Retirer et disposer immédiatement les piles épuisées conformément aux réglementations locales, et les garder éloignées des enfants. NE PAS disposer les piles dans une poubelle résidentielle, et ne pas les incinérer. Même une pile épuisée peut causer des blessures graves ou un décès.
- Les piles non-rechargeables ne doivent pas être rechargées. Il ne faut pas forcer la décharge, la recharge, il ne faut démonter, ni chauffer à une température supérieure (à la température spécifiée par le fabricant) ni l'incinérer. Cela pourrait causer des blessures en raison de l'évacuation, d'un coulage ou de l'explosion pouvant causer des brûlures chimiques.
- S'assurer que les piles soient installées correctement avec la bonne polarité (+ et -). Ne pas mélanger des piles anciennes avec des piles neuves, ou encore des marques ou des types différents de piles ensemble, comme des piles alcalines, carbone-zinc, ou rechargeables. Retirer et recycler ou jeter immédiatement les piles de l'équipement qui ne sera pas utilisé pendant une longue période de temps, conformément aux réglementations locales.

PRÉCAUTIONS DE SÉCURITÉ

ÉTABLISSEZ UNE RÉACTION DE SURVIE EN CAS D'INCENDIE. COMMUNIQUEZ AVEC LE SERVICE D'INCENDIE LOCAL POUR OBTENIR DES RENSEIGNEMENTS ET UNE PROCÉDURE D'ACTION À PRENDRE EN CAS DE FEU DE CHEMINÉE.

⚠️ AVERTISSEMENT : NE PAS LOCALISER DANS LES CHAMBRES À COUCHER.

⚠️ ATTENTION : MANIPULER LE POÊLE AVEC SOIN. ÉVITER DE LE SOUMETTRE À DES CHOCS OU DE L'ÉGRATIGNER ET DE FERMER BRUSQUEMENT LES PORTES VITRÉES. NE PAS FAIRE FONCTIONNER AVEC UNE OU DES VITRES ÉGRATIGNÉES, FISSURÉES OU BRISÉES.

⚠️ AVERTISSEMENT : BRÛLANT DURANT LE FONCTIONNEMENT. GARDER LES ENFANTS, LES VÊTEMENTS ET L'AMEUBLEMENT ÉLOIGNÉS. LE CONTACT POURRAIT CAUSER DES BRÛLURES.

⚠️ AVERTISSEMENT : NE JAMAIS LAISSER D'ENFANT SANS SURVEILLANCE DANS UNE PIÈCE COMPRENANT UN POÊLE EN FONCTIONNEMENT.

⚠️ AVERTISSEMENT : NE PAS CHAUFFER À BLOC. CHAUFFER LE POÊLE DE FAÇON EXCESSIVE POURRAIT CAUSER UN INCENDIE. SI L'UNITÉ OU LE RACCORD DE CHEMINÉE ROUGIT C'EST QUE LE POÊLE EST CHAUFFÉ DE FAÇON EXCESSIVE.

⚠️ AVERTISSEMENT : CE POÊLE À BOIS A UN TAUX D'ALIMENTATION MINIMUM RÉGLÉ PAR LE FABRICANT QUI NE DOIT PAS ÊTRE MODIFIÉ. IL EST CONTRAIRE À LA RÉGLEMENTATION FÉDÉRALE DE RÉGLER OU DE FAIRE FONCTIONNER CE POÊLE DE FAÇON NON CONFORME AUX INSTRUCTIONS DE FONCTIONNEMENT COMPRIS DANS CE GUIDE DU PROPRIÉTAIRE.

MONOXYDE DE CARBONE

AVERTISSEMENT :

⚠ SI UTILISÉ SANS COMBUSTIBLE ET AÉRATION ADÉQUATS, CE POËLE PEUT PRODUIRE UN EXCÈS DE MONOXYDE DE CARBONE, UN GAZ MORTEL SANS ODEUR.

AVERTISSEMENT :

⚠ DES SIGNES AVANT-COUREURS D'EMPOISONNEMENT AU MONOXYDE DE CARBONE SONT UNE RESSEMBLANCE AUX SYMPTÔMES DE LA GRIPPE AVEC CÉPHALÉES, ÉTOURDISSEMENTS ET/OU NAUSÉES. SI VOUS SOUFFREZ DE CES SYMPTÔMES, LE POËLE POURRAIT EN ÊTRE LA CAUSE EN RAISON DE MAUVAIS FONCTIONNEMENT. OBTENEZ DE L'AIR FRAIS À RESPIRER SUR LE CHAMP! FAITES UN ENTRETIEN DU POËLE.

CERTAINES PERSONNES - FEMMES ENCEINTES, PERSONNES SOUFFRANT DE PROBLÈMES CARDIAQUES OU DE MALADIES, D'ANÉMIE, CELLES EN ÉTAT D'ÉBRIÉTÉ OU PERSONNES SE TROUVANT EN RÉGION MONTAGNEUSE TRÈS ÉLEVÉE - SONT PLUS SUJETTES À ÊTRE AFFECTÉES PAR LE MONOXYDE DE CARBONE QUE LES AUTRES PERSONNES.

Peu importe le niveau de sécurité intrinsèque de ce poêle, tous les appareils consommant un carburant créent du monoxyde de carbone. Il est toujours bon de prévenir autant que possible les dangers pouvant vous affecter ainsi que votre entourage en installant un détecteur de monoxyde de carbone. Il est recommandé d'installer un détecteur dans les aires susceptibles de générer du monoxyde de carbone comme là où se trouve un poêle ou l'aire d'entreposage des grenailles ou bien les hangars chauffés par système hydronique. Suivez les instructions de montage, de fonctionnement et d'entretien fournies par le fabricant de votre détecteur.

DÉTECTEURS DE FUMÉE

Installez au moins 1 détecteur de fumée à chaque niveau de votre demeure. Suivez les instructions de montage, de fonctionnement et d'entretien fournies par le fabricant de votre détecteur. Évitez les fausses alarmes en plaçant le détecteur hors de l'emplacement immédiat du poêle. Généralement, un bon endroit pour installer les détecteurs de fumée est près des chambres à coucher.

POUR PLUS D'INFORMATION DE SÉCURITÉ

Pour des renseignements supplémentaires concernant la sécurité de fonctionnement des poêles à grenailles de bois, communiquez avec la NFPA (National Fire Protection Association), par la poste, à :

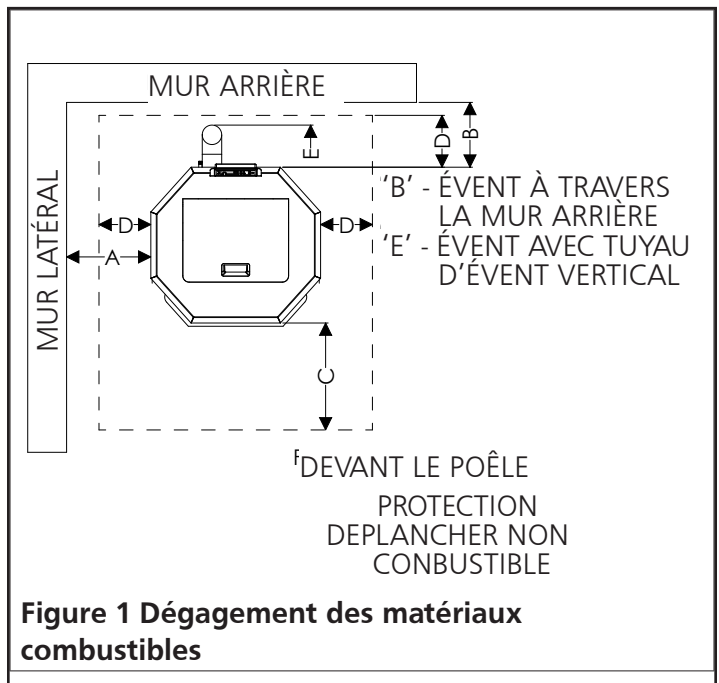
NFPA, Batterymarch Park, Quincy, MA 02269, U.S.A.

ou visitez le site Web de la NFPA :

<https://www.nfpa.org/>

DISTANCES DE DÉGAGEMENT DES MATÉRIAUX COMBUSTIBLES

Les distances de dégagement indiquées ci-dessous représentent les dégagements minimum entre le poêle et tout autre objet. Aucun objet ne devrait se trouver dans cet espace. Ceux-ci comprennent, sans s'y limiter, les tapis, meubles, enfants, animaux domestiques, vêtements, carburant ou tout autre objet. Ces distances ne pourront seulement être réduites que par les autorités ayant juridiction.



	ÉTATS-UNIS	CANADA
A	330 mm (13 po)	330 mm (13 po)
B	51 mm (2 po)	51 mm (2 po)
C	457 mm (18 po)	457 mm (18 po)
D	203 mm (8 po)	203 mm (8 po)
E	76 mm (3 po)	76 mm (3 po)

SUPERFICIE DE PLANCHER ET DÉGAGEMENTS

Lorsqu'installé sur un plancher combustible, une protection non combustible est requise pour :

- Couvrir l'aire sous le poêle en se prolongeant d'au moins 457 mm (18 po) sur le devant;
- Couvrir la surface sur les côtés du poêle sur au moins 203 mm (8 po);
- Couvrir l'aire sous le tuyau d'échappement en excédant cette aire par une couverture de 51 mm (2 po) sur les côtés.

De plus, le poêle à grenailles de bois devra être positionné de sorte :

- Qu'il y ait un dégagement minimum de 330 mm (13 po) de chaque côté de l'appareil.
- Qu'il y ait un dégagement minimum de 51 mm (2 po) à l'arrière de l'appareil.
- Que le tuyau d'échappement vertical soit dégagé d'au moins 76 mm (3 po) de tout mur.

Finalement, la pièce dans laquelle le poêle à grenailles de bois est installé devra avoir une hauteur de plafond d'au moins 2 134 mm (84 po)

MATÉRIAUX DE REVÊTEMENT DE SOL

La protection de plancher devra avoir toutes les caractéristiques suivantes :

- Enregistrement UL-1618

- Au moins 13 mm (0,5 po) d'épaisseur

- Faite de matériau non combustible

- Avoir soit :

Une valeur de résistance thermique R de 1,19 $\frac{(\text{pi}^2)(\text{h})(^\circ\text{F})}{\text{Btu}}$

Une valeur de conductivité thermique k de 0,84 $\frac{(\text{Btu})(\text{po})}{(\text{pi}^2)(\text{h})(^\circ\text{F})}$

Comme assistance pour évaluer l'acceptabilité de matériaux substitués, les équivalences de spécifications et exemples ci-dessous vous sont fournis.

Conductivité thermique k = $\frac{\text{épaisseur}}{R} \left(\frac{(\text{Btu})(\text{po})}{(\text{pi}^2)(\text{h})(^\circ\text{F})} \text{ ou } \frac{W}{(\text{m})(^\circ\text{K})} \right)$

Conductance thermique C = $\frac{1}{R} \left(\frac{(\text{Btu})}{(\text{pi}^2)(\text{h})(^\circ\text{F})} \text{ ou } \frac{W}{(\text{m}^2)(^\circ\text{K})} \right)$

Exemple : Requis pour protéger le plancher avec une valeur R de 1,19 $\frac{(\text{pi}^2)(\text{h})(^\circ\text{F})}{\text{Btu}}$.

Évaluation du mérite de briques de 57 mm (2 po)

d'épaisseur de conductivité thermique k de 4,16 $\frac{(\text{Btu})(\text{po})}{(\text{pi}^2)(\text{h})(^\circ\text{F})}$

sur une couche de panneau minéralisé de 6,3 mm (po)

ayant une valeur C de 2,3 $\frac{(\text{Btu})}{(\text{pi}^2)(\text{h})(^\circ\text{F})}$.

Étape 1. Calculez la valeur R de chaque matériau du plancher

$$R_{\text{BRIQUE}} = \frac{\text{épaisseur}}{k} = \frac{2,25}{4,16} = 0,54$$

$$R_{\text{PANNEAU}} = \frac{1}{C} = \frac{1}{2,3} = 0,434$$

Étape 2. Ajoutez les valeurs R équivalentes pour chaque matériau du plancher

$$R_{\text{BRIQUE}} + R_{\text{PANNEAU}} = 0,54 + 0,434 = 0,974$$

Étape 3. Cette valeur R combinée est **insuffisante** donc plus de protection doit être installée. Par exemple, en plaçant deux couches de briques :

$$R_{\text{BRIQUE}} + R_{\text{BRIQUE}} + R_{\text{PANNEAU}} = 0,54 + 0,54 + 0,434 = 1,514$$

Étape 4. Puisque cette valeur R combinée est plus grande que la spécification requise, ce montage sera suffisant pour protéger le plancher sous le poêle.

DÉBALLAGE

1. Sortir le poêle du carton d'emballage.
2. Retirer tout le matériel protecteur placé sur le poêle pour l'expédition.
3. Inspecter le poêle pour détecter tout dommage d'expédition. Si des dommages sont détectés, appelez le fabricant sur le champ-au 1-833-950-1184.

⚠ ATTENTION : TOUTE PIÈCE ENDOMMAGÉE POURRAIT COMPROMETTRE LE FONCTIONNEMENT SÉCURITAIRE.

- **NE PAS INSTALLER DES COMPOSANTS INCOMPLETS.**
- **NE PAS INSTALLER DES COMPOSANTS SUBSTITUÉS.**
- **NE PAS INSTALLER DES COMPOSANTS ENDOMMAGÉS.**

4. Pour assurer la sécurité de certaines pièces délicates, celles-ci sont emballées séparément. Veuillez les localiser, vraisemblablement à l'intérieur de l'appareil pour procéder à leur assemblage.

ASSEMBLAGE

Étape 1 - Panneau d'affichage

Insérer le panneau d'affichage à l'arrière du dessus du poêle. Assurez-vous de sa bonne orientation pour lecture à partir du devant du poêle. Fixez l'afficheur à l'aide des deux vis fournies.

Étape 2 - Câble d'alimentation de l'afficheur

Ce câble devrait être enroulé sous le couvercle du poêle. Insérez l'extrémité libre dans le dos du panneau d'affichage (voir figure 16 à la page 15). Ce câble devrait déjà être connecté à la carte d'alimentation du poêle. Vous pouvez vérifier cette connexion derrière la plaque d'accès à l'arrière du poêle.

Étape 3 - Cordon d'alimentation électrique

Le cordon d'alimentation se branche dans la prise à l'arrière du poêle. Après tout assemblage requis du panneau d'affichage, vous pouvez brancher votre poêle temporairement pour vous assurer du fonctionnement de l'afficheur avant de continuer l'installation. Après avoir confirmé le fonctionnement de l'afficheur, débranchez le cordon électrique.

⚠ ATTENTION : NE PAS LAISSER LE POÊLE BRANCHÉ DANS LA PRISE ÉLECTRIQUE DURANT L'ASSEMBLAGE OU LE MONTAGE.

Étape 4 - Pot de combustion

En l'absence de toute alimentation électrique, le pot de combustion devrait être inséré adéquatement dans le poêle pour que l'allumeur puisse entrer en contact avec les grenailles. Voir figure 2 ou 3.

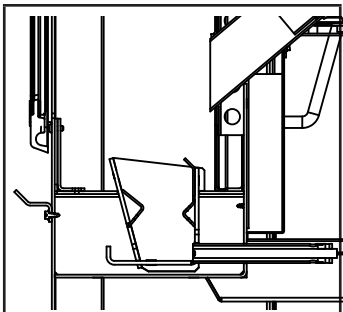


Figure 2 Pot de combustion H80XL et H140XL

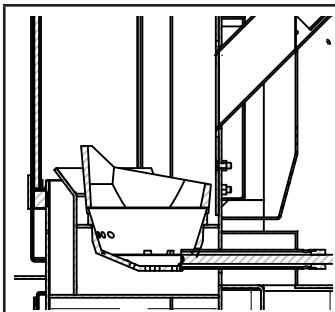


Figure 3 Pot de combustion H3W80XL

Une trousse de nettoyage est également emballée, ce qui facilitera le nettoyage de débris des perforations du pot.

Étape 5 - Trousse d'entrée d'air

Localisez la trousse d'entrée d'air expédiée avec le poêle. Voir Figure 4. Mesurez votre pièce et planifiez l'installation de l'évent horizontal pouvant être requis selon les recommandations indiquées dans EXIGENCES D'AIR FRAIS ET D'AÉRATION on page 8. Respectez toutes les exigences d'aération et suivez les directives indiquées dans INSTALLATION on page 8.

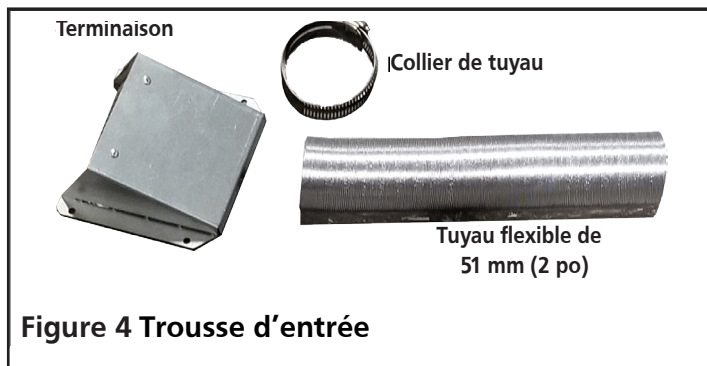


Figure 4 Trousse d'entrée

Assemblage supplémentaire H80XL, H140XL

- Poignée de porte : ouvrez la porte et vissez l'emprise plastifiée dans les filets de la poignée.

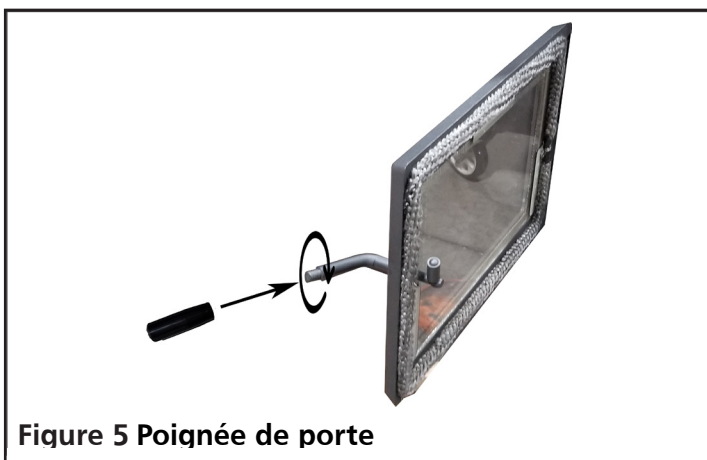


Figure 5 Poignée de porte

INSTALLATION

INFORMATION DE CONTACT

Pour toute question concernant les options de ventilation de votre poêle, veuillez contacter soit :

Le fabricant Enerco Group, Inc. à 1-833-950-1184. Nos heures de bureau sont de 8:00 h à 17:00 h, HNE, du lundi au vendredi..

NFPA (National Fire Protection Association) et demander un exemplaire de la dernière édition de la publication NFPA Standard 211. L'adresse postale de la NFPA est Batterymarch Park, Quincy, MA 02269 U.S.A.

⚠ AVERTISSEMENT : SI CE POÊLE N'EST PAS BIEN INSTALLÉ, IL POURRAIT EN RÉSULTER UN INCENDIE DE DOMICILE. POUR MINIMISER LE DANGER D'INCENDIE, SUIVRE LES DIRECTIVES D'INSTALLATION. CONTACTER LES AUTORITÉS DU CODE DE LA CONSTRUCTION OU LE SERVICE D'INCENDIE POUR CONNAÎTRE LES RESTRICTIONS ET LES INSPECTIONS D'APPROBATION REQUISES DANS VOTRE RÉGION.

⚠ ATTENTION : TOUT ÉCART OU MODIFICATION DE CES DIRECTIVES POURRAIT RÉSULTER EN DES BLESSURES OU DES DOMMAGES AU POÊLE, À LA CHEMINÉE ET À VOTRE DEMEURE. LA GARANTIE POURRAIT ÊTRE ANNULÉE. LIRE ET SUIVRE TOUTES LES INSTRUCTIONS. Pour toute préoccupation, question ou commentaire, communiquez avec Master Forge.

⚠ ATTENTION : CONTACTER LES AUTORITÉS DU CODE DE LA CONSTRUCTION OU LE SERVICE D'INCENDIE POUR CONNAÎTRE LES RESTRICTIONS ET LES INSPECTIONS D'APPROBATION REQUISES DANS VOTRE RÉGION.

PLANIFICATION

Assurez-vous que vous avez sélectionné le bon poêle pour vos besoins en consultant le tableau de spécifications à la page 3.

Prenez les mesures de vos quartiers et planifiez votre système de cheminée selon les instructions détaillées ci-dessous.

Ce poêle à grenailles peut être installé dans une maison mobile. En plus des instructions ci-dessous, passez en revue et respectez les exigences obligatoires à la page 11.

CONSIDÉRATIONS ÉLECTRIQUES

Une prise électrique devra être disponible à environ 2 m (6,5 pi) sur le mur derrière le poêle. Placer le cordon d'alimentation de façon qu'il ne vienne en contact avec la surface du poêle.

EXIGENCES D'AIR FRAIS ET D'AÉRATION

Lorsque vous décidez de la localisation du poêle, assurez-vous que l'aire sera toujours approvisionnée d'air frais. Un manque d'air pourrait appauvrir tous les appareils à combustion de vos quartiers et possiblement causer une condition dangereuse. L'approvisionnement d'air de combustion de l'extérieur pourrait être nécessaire pour garantir que les appareils à combustion ne créent pas d'émanations dangereuses à l'intérieur. Le guide pour déterminer le besoin d'air de combustion supplémentaire pourrait ne pas être exact dans toutes les situations. En cas de doute, nous conseillons d'amener un approvisionnement d'air supplémentaire. De l'air de combustion extérieur pourrait être requis si les indications ci-dessous, ou d'autres indications, suggèrent que l'apport d'air est insuffisant :

- Le poêle à grenailles de bois n'aspire pas de façon constante et produit des bouffées de fumée, les grenailles ne brûlent pas facilement et le tirage de la cheminée s'inverse lors de combustion ou non.
- Autre équipement de combustion dans la maison, tel un foyer ouvert ou autre appareil de combustion dégageant odeur de combustion ou ne fonctionnant pas adéquatement, dégage de la fumée dans la pièce lorsqu'ouvert pour chargement ou soumis à un tirage inverse de cheminée lors de combustion ou non.
- Si n'importe lequel des symptômes ci-dessus se redresse lors de journées non venteuses ou en ouvrant une fenêtre légèrement.
- La maison est très étanche avec pare-vapeur et fenêtres bien scellées ou possède des dispositifs d'expulsion d'air intérieur.
- Une condensation excessive se produit dans les fenêtres en hiver.
- Un système d'aération est installé sur la maison.

De l'air de combustion supplémentaire pourrait être approvisionné au poêle à grenailles de bois directement de l'extérieur par l'entremise de la trousse d'entrée d'air comprise pour se connecter à l'entrée d'air en bas à l'arrière du poêle. Toute installation de la sorte devra satisfaire la Clause 4 de la norme B365 de la CSA.

⚠ ATTENTION : NE JAMAIS ASPIRER D'AIR DE COMBUSTION DU :

- PLÉNUM D'AIR DES MURS, DU PLANCHER ET DU PLAFOND.
- D'UN ESPACE CLOS TEL UN GRENIER, UN VIDE SANITAIRE OU UN GARAGE.

⚠ ATTENTION : SI UN TUYAU D'ENTRÉE D'AIR EST RACCORDÉ, ALORS LE POÊLE DEVRA ÊTRE FIXÉ À LA STRUCTURE DE LA MAISON.

EXIGENCES D'ÉVACUATION ADDITIONNELLE

Un minimum de 1,8 m (6 pi) de tuyau d'évent (n'incluant pas les coudes) doit être utilisé.

- Utiliser un tuyau d'évent de 8 cm (3 po) pour le système en entier, OU il est possible d'utiliser un adaptateur de 10/15 cm (4 ou 6 po) sur l'évacuation, immédiatement là où elle quitte le poêle.
- Si le système a plus de 4,9 m (16 pi), utiliser un tuyau d'évent de 10 cm (4 po).
- La longueur minimale du conduit vertical est de 1,2 m (4 pi), et un coude à 45 degrés/chapeau de cheminée est requis sur la terminaison de l'évacuation.

IMPORTANT: Un scellant à la silicone doit être ajouté entre les doubles parois d'un conduit terminal.

EXIGENCES ET ASSEMBLAGE DES RACCORDS

⚠ ATTENTION : LE TUYAU DE RACCORDEMENT DE CHEMINÉE NE DOIT PAS TRAVERSER LE GRENIER OU LE TOIT, OU TOUT GARDE-ROBE OU ARMOIRE (OU AUTRE ESPACE CLOS) NI LE PLANCHER OU LE PLAFOND. POUR LE RACCORDEMENT D'APPAREILS DE CHAUFFAGE À COMBUSTIBLE SOLIDE À TRAVERS UN MUR OU PARTITION DE MATÉRIAU COMBUSTIBLE, L'INSTALLATION DEVRA ÊTRE CONFORME À LA NORME CAN/CSA-B365.

Tous les tuyaux et coudes devraient être installés avec l'extrémité à serrer vers le poêle (et non vers la sortie de la cheminée) et devraient être fixés avec trois vis à métal réparties également sur la circonférence.

Les raccords, coudes et sections de cheminée devraient être de type « L » ou « PL » et de diamètre de 80 mm (3 po) puisque le système d'aspiration est basé sur une pression négative dans la chambre à combustion et une légère surpression à la sortie des gaz. Il sera donc important que le raccordement de la tuyauterie soit bien ajusté et scellé. Nous recommandons que la tuyauterie des raccords, des coudes et de la cheminée soient de type B pour aération à double paroi et de calibre minimum n°24.

Veillez noter que les coudes dans le système d'échappement réduisent le débit d'air, diminuant la performance et qu'ils offrent un point d'accumulation de dépôts de cendre nécessitant un nettoyage plus fréquent.

⚠ ATTENTION : LES JONCTIONS DE TOUS LES TUYAUX DE RACCORDEMENT DE SYSTÈME D'AÉRATION (CANALISATION OPTIONNELLE D'ENTRÉE D'AIR OU ÉCHAPPEMENT DE COMBUSTION) DEVRONT ÊTRE SCÉLLÉES À L'AIDE DE SILICONE RÉSISTANT AUX TEMPÉRATURES ÉLEVÉES.

EXIGENCES GÉNÉRALES D'AÉRATION

⚠ ATTENTION : NE RACCORDER À AUCUNE CANALISATION OU SYSTÈME DE DISTRIBUTION D'AIR.

⚠ ATTENTION : NE PAS RACCORDER CETTE UNITÉ À UNE CHEMINÉE CONNECTÉE À UN AUTRE APPAREIL.

⚠ ATTENTION : NE PAS INSTALLER DE REGISTRE DE TIRAGE À CLAPET DANS LE TUYAU D'ÉCHAPPEMENT DE CE POÊLE À GRENAILLES DE BOIS.

⚠ ATTENTION : NE PAS INSTALLER DANS UN FOYER.

Ce poêle à grenailles de bois doit être connecté à une cheminée portant l'une ou l'autre des homologations suivantes :

- Enregistrement de classe A conforme aux exigences du type HT de la norme UL 103 (Standard for Chimneys, Factory-Built, Residential Type and Building Heating Appliance)
- Cheminée de maçonnerie certifiée ICBO (International Conference of Building Officials) pour les poêles à combustible solide.

CAPUCHON D'ÉVENT

- Installer l'évent d'échappement en respectant les distances de dégagement spécifiées par le fabricant.
- Installer le capuchon d'évent d'échappement en respectant les distances de dégagement spécifiées par le fabricant.
- Si vous utilisez la trousse d'entrée d'air, assurez-vous qu'il y ait au moins 30 cm (12 po) de dégagement entre le capuchon d'évent et la bouche d'entrée d'air.
- Il est aussi recommandé de garder au moins 30 cm (12 po) de dégagement entre la sortie d'évent et les fenêtres, portes ou coins de murs extérieurs.
- Les endroits traversés vers l'extérieur par la cheminée ou d'autres composants devront être scellés à la silicone.
- Pour confirmer que toutes les exigences sont respectées, se référer aux codes locaux.

Les cheminées verticales devront répondre aux exigences minimales suivantes :

- Longueur minimum de 4,6 m (15 pi) mesuré du dessus du poêle jusqu'au dessus du capuchon de la cheminée.
- Si la faite du toit se trouve à une distance verticale de moins de 305 cm (10 pi) du point de sortie de la cheminée, le dessus de son capuchon devra dépasser le plus haut point du toit de d'au moins 61 cm (2 pi).
- La longueur de la cheminée dépassant le toit doit être d'un minimum de 91 cm (3 pi).

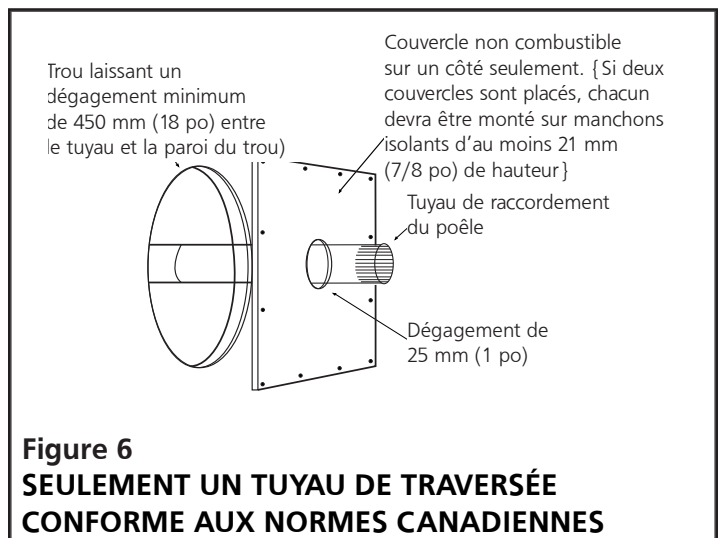
Les cheminées horizontales devront répondre aux exigences minimales suivantes :

- Être à une hauteur d'au moins 30 cm (12 po) au dessus du sol ou autres obstructions (patio, balcon, véranda ou bosquet de végétation).

TRAVERSÉE DE MUR

Lorsque le passage à travers un mur ou une partition de matériau inflammable est requis, le montage devra se conformer aux directives du fabricant.

REMARQUE : Au Canada, l'installation devra être conforme à la norme CAN/CSA-B365 (voir figure 6).



**Figure 6
SEULEMENT UN TUYAU DE TRAVERSÉE
CONFORME AUX NORMES CANADIENNES**

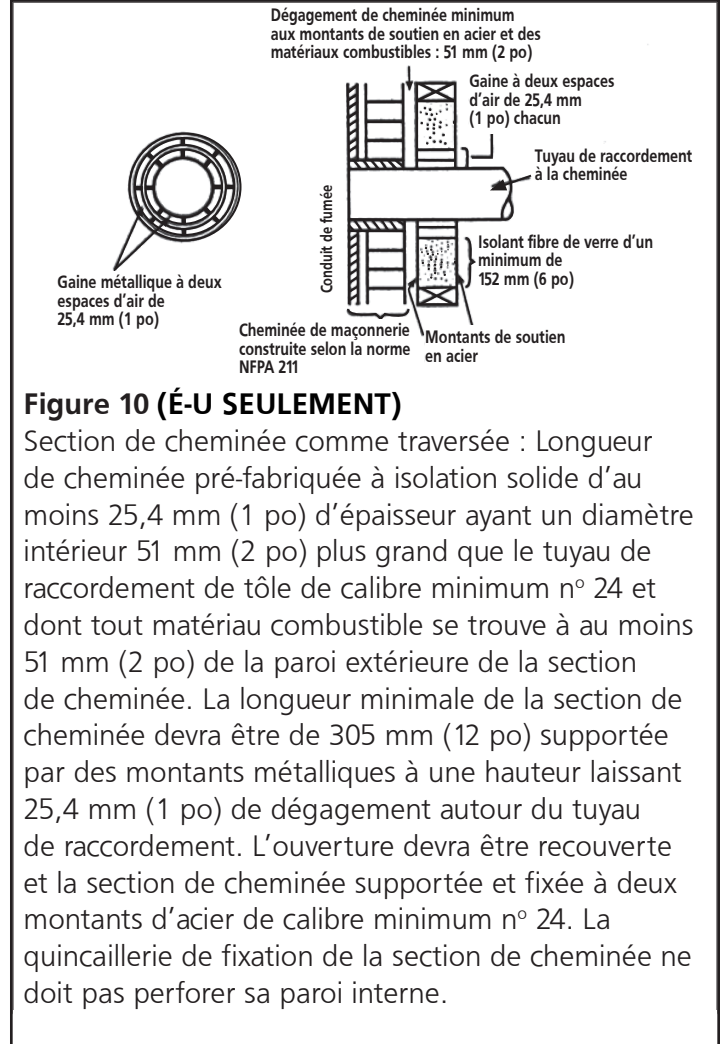
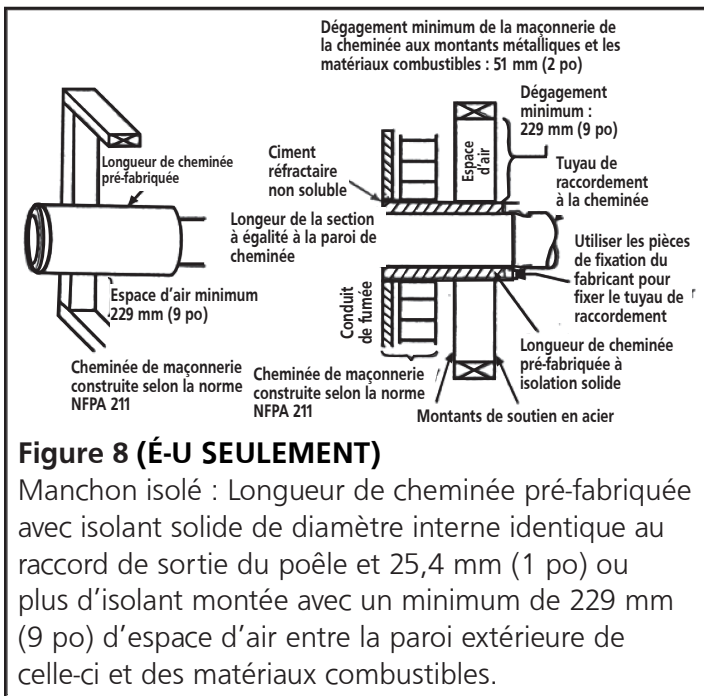
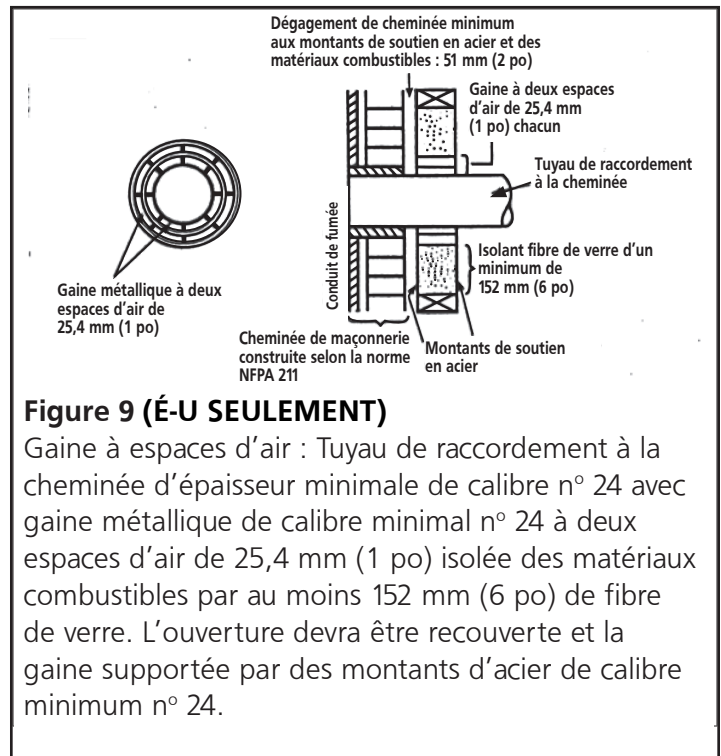
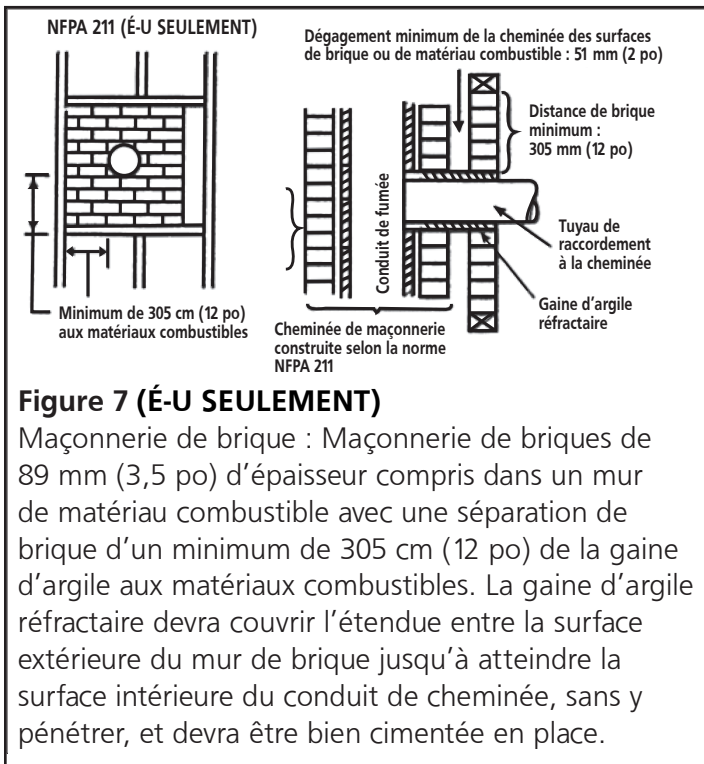
EXIGENCES SUPPLÉMENTAIRES POUR MAISONS MOBILES

⚠ AVERTISSEMENT : NE PAS LOCALISER DANS LES CHAMBRES À COUCHER.

PIÈCES ET MATÉRIAUX REQUIS (NON FOURNIS)

- Une cheminée de diamètre de 80 mm (3 po) conforme à la norme UL-103 (Standard for Factory-Built Chimneys for Residential Type and Building Heating Appliances).
- Gaine aérée de plafond adéquate pour utilisation dans les maisons mobiles.
- Gaine aérée de toit adéquate pour utilisation dans les maisons mobiles.
- Parafoudre adéquat pour utilisation dans les maisons mobiles.
- Solin de toit adéquat pour utilisation sur les maisons mobiles.

TECHNIQUES DE TRAVERSÉE DE MUR APPROUVÉES NFPA 211 (É-U SEULEMENT)



EXIGENCES D'INSTALLATION SUPPLÉMENTAIRES

- La cheminée devra être directement attachée à l'appareil de chauffage et devra dépasser le toit traversé d'au moins 0,9 m (3 pi).
- Le dessus de la cheminée devra dépasser d'au moins 0,6 m (2 pi) tout objet élevé dans un rayon de 3 m (10 pi) de la cheminée.
- Les sections d'extrémité de la cheminée devront pouvoir être démontées jusqu'à une hauteur de 4,1 m (13,5 pi) au-dessus du sol sans nécessiter d'équipement particulier.
- Le montage de la cheminée devra être sécurisé par une fixation mécanique au support du toit et du plafond.
- Exigences de gardes protectrices de cheminée :
 - Lorsque la cheminée sort de la maison mobile à un endroit autre qu'à travers le toit à une hauteur de moins de 2,1 m (7 pi) au-dessus du sol, une garde protectrice entourant la cheminée devra être installée sur toute la longueur de la cheminée en-dessous de 2,1 m (7,pi).
 - La garde protectrice ne devra pas comporter d'ouverture pouvant laisser pénétrer tout objet de diamètre de 19 mm (3/4 po) ou plus.
 - La garde protectrice ne devra pas comporter d'ouverture pouvant laisser pénétrer tout objet de diamètre de 16 mm (1/2 po) ou moins à plus de 102 mm (4 po) à l'intérieur.
- Le poêle doit être monté sur un plancher à niveau pouvant supporter son poids.
- Le poêle devra être boulonné à la surface au niveau de façon permanente pour ne pas qu'il puisse être déplacé, être basculé ou placé de façon compromettant une aération adéquate.
- Une canalisation permanente d'admission d'air frais pour entretenir la combustion devra être installée en répondant aux exigences suivantes :
 - La canalisation devra être totalement métallique sans comporter d'autre matériau tel le plastique.
 - Son extrémité devra posséder un grillage prévenant la vermine de s'y infiltrer.
 - La bouche d'entrée devra être libre en tout temps de feuilles, neige, glace ou autre débris pouvant restreindre l'alimentation d'air pour un fonctionnement adéquat de l'appareil.
- Les jonctions de tous les tuyaux de raccordement des deux systèmes d'aération (l'entrée et l'évacuation d'air) devront être scellées à l'aide de silicone résistant aux températures élevées.

- La cheminée devra être conforme à tous les codes applicables et exigences des autorités ayant juridiction.
- Si la maison mobile doit être déplacée, la cheminée devra être déposée et reposée selon les codes locaux à sa destination.

Le système du conduit de fumée est basé sur une pression négative dans la chambre à combustion et une légère surpression à la sortie des gaz. Il sera donc important que le raccordement de la tuyauterie soit bien ajusté et scellé.

⚠ ATTENTION : L'INTÉGRITÉ STRUCTURELLE DU PLANCHER, DES MURS, DU PLAFOND ET DU TOIT DEVRA ÊTRE MAINTENUE.

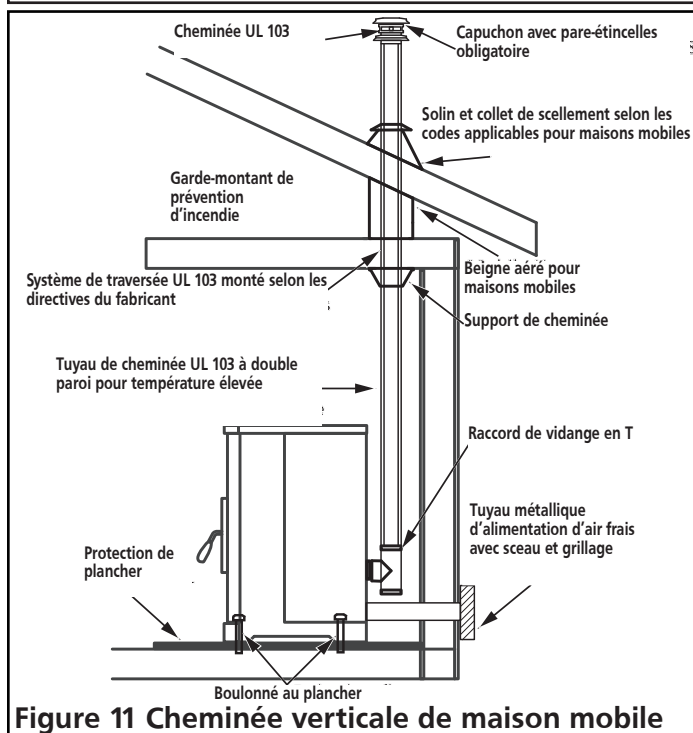


Figure 11 Cheminée verticale de maison mobile

INSTRUCTIONS ET SCHÉMA DE CHEMINÉE DE MAÇONNERIE AVEC CONDUIT DE FUMÉE

Ce poêle est conçu pour une évacuation par une cheminée de maçonnerie conforme au code du bâtiment et code des incendies locaux ainsi qu'aux dernières éditions des normes NFPA 211 aux États-Unis ou CSA-B365 au Canada.

1. Si la tuyauterie de raccordement du poêle à la cheminée de maçonnerie est faite à travers un mur de matériau combustible, consultez un maçon qualifié ou un dépositaire de cheminée pour des conseils. Pour garantir la sécurité de l'installation, celle-ci devrait seulement être faite par un installateur qualifié. L'installation devra être faite en conformité aux règlements établis et aux codes du bâtiment et des incendies locaux.
2. Le tuyau de raccordement à la cheminée ne devra pas causer obstruction à l'intérieur du conduit de fumée comme montré à la figure 12 ci-dessous.

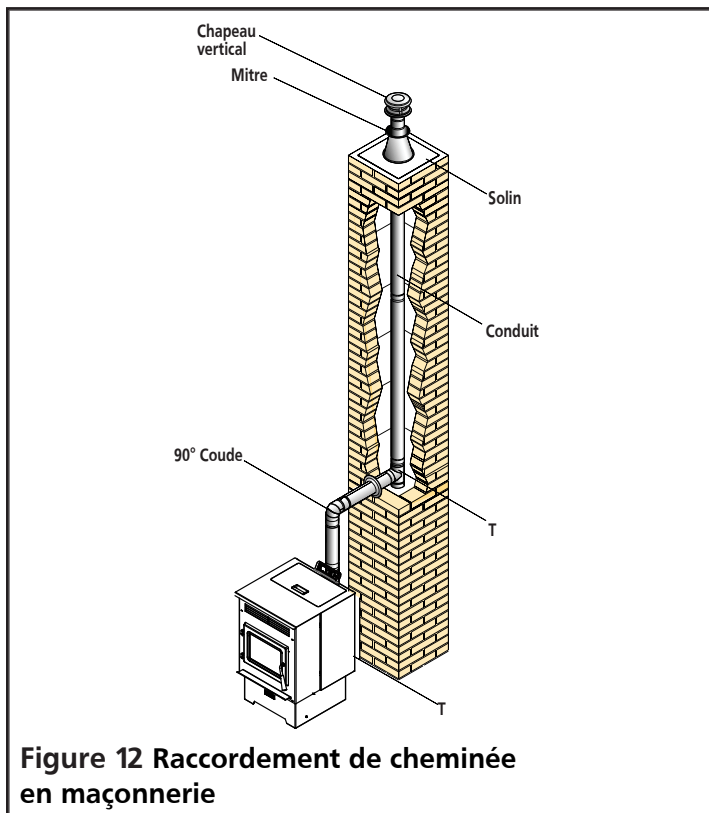


Figure 12 Raccordement de cheminée en maçonnerie

3. Toute ouverture à la base de la cheminée devra être fermée de façon étanche.

INSTRUCTIONS ET SCHÉMA DE CHEMINÉE PRÉFABRIQUÉE

⚠ AVERTISSEMENT : NE PAS SE SERVIR D'UN TUYAU DE POÊLE À PAROI UNIQUE COMME CHEMINÉE.

Ce poêle est conçu pour être utilisé soit avec une cheminée pré-fabriquée possédant un enregistrement UL 103HT (aux États-Unis) ou ULC-S629 (au Canada) ou avec une cheminée de maçonnerie avec conduit de fumée approuvée. Les cheminées pré-fabriquées ne sont pas toutes enregistrées UL103 HT/ULC-S629. Les centres de rénovation domiciliaires, les quincailleries et les magasins de fournitures CVCA ainsi que les sites Web de fabricants de cheminées pourront vous fournir des tuyaux de poêle isolés répondant à ces normes.

Cet enregistrement indique que ces produits sont conçus pour une température élevée jusqu'à 1 149 C (2 100 F).

N'assembler que des sections provenant du même fabricant. Ne pas utiliser des sections de différentes marques dans un même système d'aération.

Les illustrations ci-dessous montrent différentes méthodes et exigences d'utilisation de cheminée pré-fabriquée et des tuyaux de raccordement au poêle.

FONCTIONNEMENT

THÉORIE DE FONCTIONNEMENT

1. La combustion se produit dans le pot du poêle qui est alimenté en air par des trous en périphérie et en-dessous de celui-ci. Veuillez noter que de l'air est soufflé par le dessus de la chambre de combustion, prévenant

Master Forge Poêle à grenailles de bois

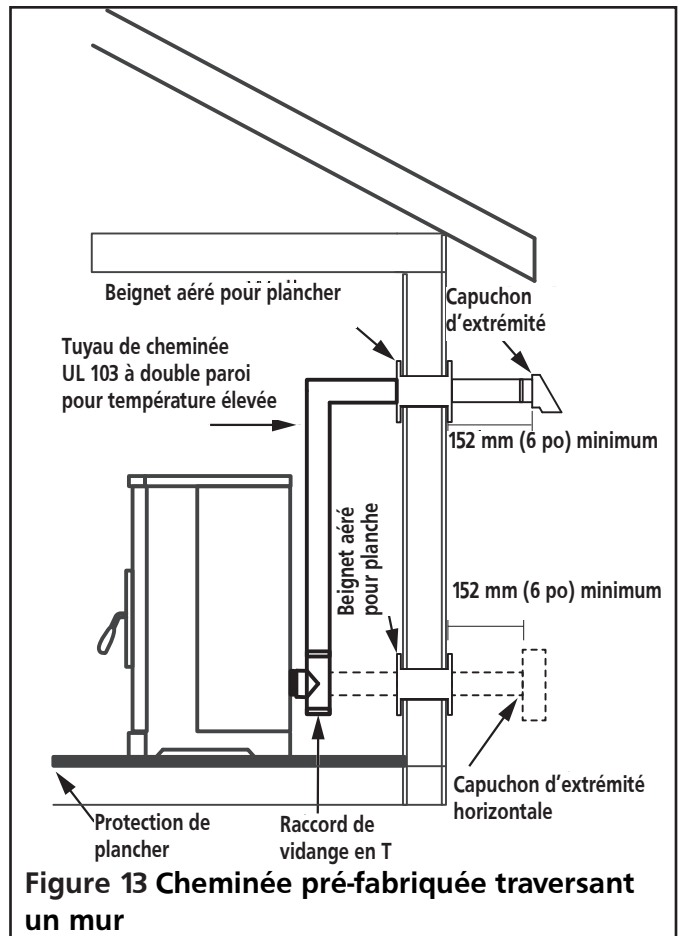


Figure 13 Cheminée pré-fabriquée traversant un mur

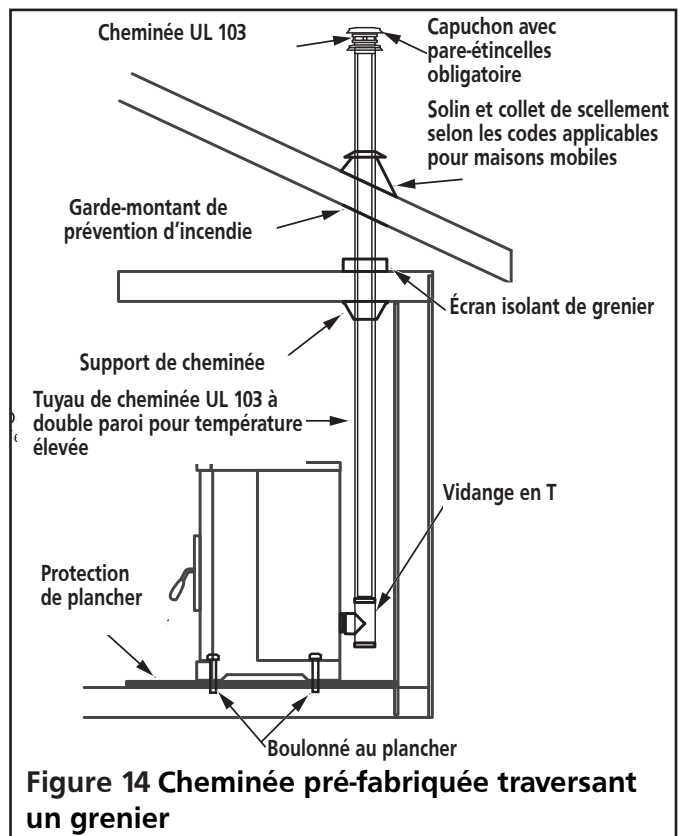
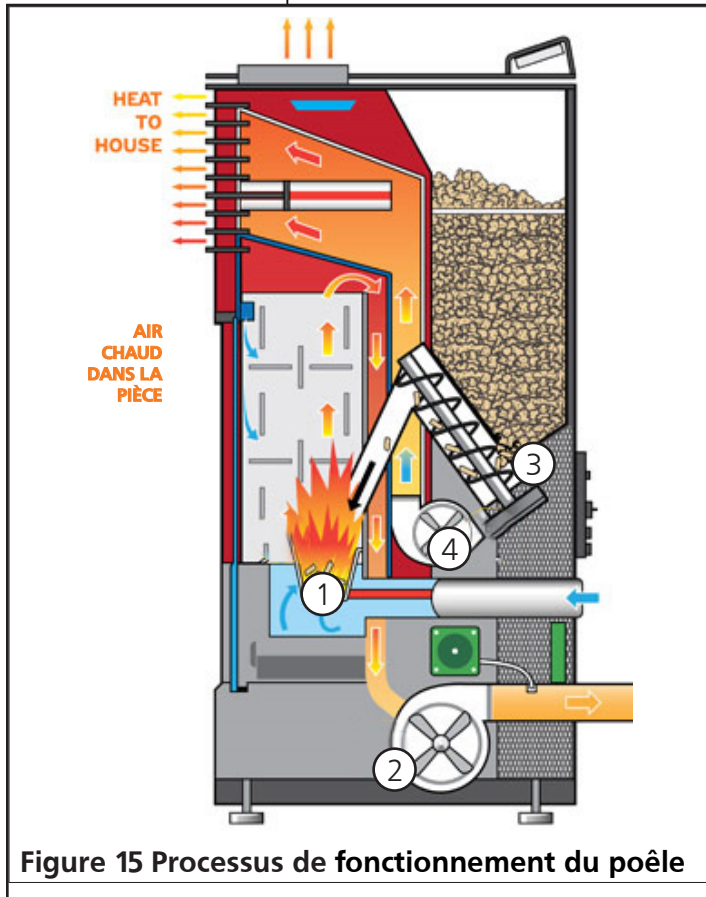


Figure 14 Cheminée pré-fabriquée traversant un grenier

l'accumulation de cendre et de débris sur la porte.

2. Le ventilateur d'échappement aspire les produits consommés volatils et les expulse par la tuyauterie de sortie installée par l'utilisateur.
3. La tarière transfère les granulés de la trémie au pot de combustion pour alimenter le feu.
4. Un ventilateur de l'appareil à convection fait circuler l'air sur les parois externes du pot à combustion propageant l'air chauffé dans la pièce.



COMBUSTIBLE APPROUVÉ :

Ne pas utiliser de granulés de qualité inférieure à la première qualité PFI. Les granulés de bois franc naturelles à 100 % (non traitées, sans agent agglomérant et d'un maximum de 5 % d'écorce) sont le seul combustible approuvé pour utilisation avec ce poêle. Pour un rendement maximum, voir les spécifications ci-dessous :

- Valeur calorifique de 5,3 kWh/kg
- Densité de 700 kg/m³
- Les granulés devraient être à faible production de cendre (moins de 1 %)
- Les granulés devraient être de moins de 30 mm de long et de diamètre entre 5 et 6,5 mm.
- Ne pas utiliser les sédiments et débris au fond des contenants de granulés.
- Entreposer les granulés dans des sacs à deux ou trois couches de papier (comme ceux des sacs de ciment) ou faits de produits synthétiques biologiquement dégradables et neutres au point de vue environnemental.

L'utilisation de granulés de bois non conformes à ces spécifications pourrait résulter en des problèmes d'allumage, une plus grande production de créosote ou l'accumulation de cendres volatils, de combustion incomplète, une faible production de chaleur et le noircissement de la porte vitrée.

- ⚠ ATTENTION : NE PAS SE SERVIR DE PRODUITS CHIMIQUES OU DE LIQUIDES POUR DÉMARRER LA COMBUSTION.**
- ⚠ ATTENTION : NE PAS INSÉRER DE DÉCHETS OU DE PRODUITS INFLAMMABLES TEL L'ESSENCE, LE NAPHTA OU DE L'HUILE À MOTEUR DANS LE POT DE COMBUSTION.**
- ⚠ ATTENTION : NE JAMAIS TENTER D'UTILISER UN DES PRODUITS ÉNUMÉRÉS CI-DESSOUS COMME COMBUSTIBLE :**
- Produits du papier, carton ou panneau de particules;
 - Déchets;
 - Carcasses ou fumier d'animaux;
 - Résidus de tonte de gazon ou déchets de cultures;
 - Produits du pétrole usés;
 - Charbon;
 - Débris de construction ou de démolition;
 - Traverses de chemin de fer ou bois traité sous pression;
 - Matériaux comprenant
 - amiante
 - plastic
 - caoutchouc (pneus compris)
 - Produits du pétrole tel
 - peintures
 - solvants à peinture
 - produits d'asphalte
- BRÛLER CES MATÉRIAUX POURRAIT CRÉER DES ÉMANATIONS TOXIQUES OU RENDRE LE POÊLE INUTILISABLE ET DÉGAGER DE LA FUMÉE**

Ne pas remiser les granulés de bois ou d'autres produits d'allumage sur le protecteur de plancher, sous le tuyau de raccordement à la cheminée ou n'importe où à une distance inférieure aux dégagements minimum des surfaces combustibles indiqués à la page 5.

Les granulés de bois devraient être entreposés dans un endroit sec et bien aéré.

- ⚠ MISE EN GARDE : NE PAS stocker les granulés non utilisés dans le poêle pour une utilisation ultérieure, car ils pourraient accumuler de l'humidité. L'utilisation de granulés humides ou mouillés peut entraîner des difficultés d'allumage, une combustion incomplète et un risque d'incendie dans la trémie.**

PRÉCAUTIONS POUR LE FONCTIONNEMENT

⚠ AVERTISSEMENT : BRÛLANT DURANT LE FONCTIONNEMENT. NE PAS TOUCHER LE POÊLE. GARDER LES ENFANTS, LES VÊTEMENTS ET L'AMEUBLEMENT ÉLOIGNÉS. LE CONTACT POURRAIT CAUSER DES BRÛLURES.

⚠ ATTENTION : AVANT D'UTILISER LE POÊLE S'ASSURER QUE LE POT DE COMBUSTION ET LE CABARET SOUS-JACENT SONT PROPRES ET BIEN POSITIONNÉS.

⚠ AVERTISSEMENT : NE JAMAIS UTILISER DE LIQUIDE D'ALLUMAGE DE CHARBON, DE KÉROSÈNE, D'HUILE À LAMPE OU D'ESSENCE POUR ALLUMER OU RÉ-ACTIVER LE FEU DANS CETTE UNITÉ. GARDER TOUTES CES SUBSTANCES BIEN À L'ÉCART DU POÊLE LORS DE SON FONCTIONNEMENT.

POLYMÉRISATION DE LA PEINTURE

Pour permettre à la peinture de se lier au poêle de façon durable, faites-le chauffer au réglage haut (P1) durant 60 minutes. Pour évacuer les émanations de fumée ou odeurs créés par ce processus de cure, ouvrez portes et fenêtres opposées de la pièce.

PROCÉDURE DE FONCTIONNEMENT : ALLUMAGE DU POÊLE

REMARQUE : Si l'afficheur indique que le cycle d'extinction est en cours (« Switching Off »), ce cycle ne pourra être annulé. En cas de tentative, un message indiquera que le cycle ne peut être interrompu. Le poêle pourra seulement être rallumé après que le cycle d'extinction sera terminé après que l'échangeur de chaleur aura refroidi.

1. Branchez le cordon d'alimentation dans la prise située à l'arrière du poêle et appuyez sur l'interrupteur à bascule rouge MARCHE/ARRÊT situé au-dessus sur MARCHE. Voir Figure 16.

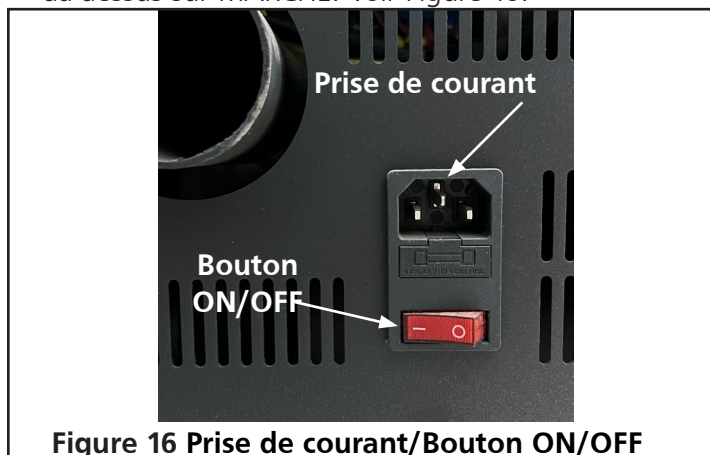



Figure 16 Prise de courant/Bouton ON/OFF

REMARQUE: POUR EMPÊCHER LE POÊLE DE FONCTIONNER, ÉTEINDRE L'INTERRUPTEUR D'ALIMENTATION ROUGE EN BAS, À L'ARRIÈRE DU POÊLE.

2. S'assurer que les joints d'étanchéité de la porte et du tiroir de cendre sont en bon état. Pour la première opération, ajouter une poignée de grenailles directement dans la chambre de combustion. Fermer le tiroir de cendre et les portes hermétiquement et s'assurer que les panneaux latéraux ont bien été installés.

REMARQUE : NE PAS UTILISER DE GRILLE, FER OU TOUT AUTRE DISPOSITIF POUR PLACER LES GRENAILLES DE BOIS DANS LE POT DE COMBUSTION. SEUL LE POT LUI-MÊME, PARTICULIER À VOTRE MODÈLE DE POÊLE, DOIT ÊTRE UTILISÉ.

3. Ouvrez la trémie. Assurez-vous qu'elle est suffisamment remplie. Refermez la trémie.

4. Appuyez sur le bouton d'alimentation  durant 3 secondes. Le poêle procédera automatiquement à effectuer ce qui suit :

- Cycle de nettoyage : Le pot de combustion est nettoyé des cendres, poussières et résidus accumulés.
- Cycle d'alimentation : Les grenailles passeront de la trémie au pot de combustion par l'entremise de la tarière. Selon le modèle de poêle, ceci pourra prendre de 5 à 15 minutes.
- Cycle d'allumage : L'allumeur à surface chaude électrique sera tout le cycle d'allumage et pendant quelques minutes après que le poêle se sera stabilisé et pour entamer la combustion des grenailles dans le pot. L'allumeur demeurera activé jusqu'à ce que la température de l'air/fumée d'échappement atteigne le seuil de température de fonctionnement autonome.
- Cycle de stabilisation : Le système ajustera les fonctions pour procurer la température désirée. La stabilisation se poursuivra jusqu'à ce que le poêle lise la température souhaitée par le thermostat.

5. Le poêle est alors allumé.

PROCÉDURE DE FONCTIONNEMENT : EXTINCTION DU POÊLE

REMARQUE : LE POÊLE PEUT ÊTRE ÉTEINT DURANT TOUS LES CYCLES INDICUÉS À L'AFFICHEUR EN ACTIONNANT ET MAINTENANT LE BOUTON D'ALIMENTATION DURANT TROIS SECONDES. UNE FOIS QUE L'AFFICHEUR INDIQUE QUE LE POÊLE EST EN MODE DE STABILISATION, ACTIONNEZ LE BOUTON D'ALIMENTATION UNE AUTRE FOIS. LE POÊLE SE METTRA EN CYCLE DE REFROIDISSEMENT (AFFICHÉ À L'ÉCRAN).

⚠ ATTENTION : APRÈS LE CYCLE DE REFROIDISSEMENT, LE POÊLE COMMENCERA AUTOMATIQUÉMENT UN NOUVEAU CYCLE DE FONCTIONNEMENT.

- Appuyez sur le bouton d'alimentation durant 3 secondes. Le poêle procédera automatiquement à effectuer ce qui suit :
 - Arrêt du chauffage : Les grenailles se trouvant dans la chambre de combustion continueront à se consommer et produire flamme et chaleur. Elles devraient être toutes consommées après 5 à 8 minutes. L'échangeur de chaleur pourra alors commencer à refroidir.
 - Goodbye : Le dernier message présenté à l'afficheur indiquant que le poêle s'est refroidi.
- Le poêle est alors éteint.

FONCTIONNEMENT AVEC UNE GÉNÉRATRICE ÉLECTRIQUE

Ce poêle est conçu pour avoir l'option d'être alimenté par une génératrice électrique, mais les génératrices ne sont pas toutes compatibles pour fonctionner avec cet appareil. Consultez les spécifications de votre génératrice concernant son régulateur de tension et assurez-vous qu'elles correspondent aux exigences de votre poêle telles qu'indiquées à la page 3.

COMMENT MINIMISER LA FORMATION DE CRÉOSOTE

Pour les explications concernant la formation et le nettoyage de créosote, voir ENTRETIEN on page 17. Pour ralentir l'accumulation de créosote dans votre cheminée, n'utilisez que les grenailles recommandées à la page 12.

DISPOSITION DES CENDRES











⚠ ATTENTION : DES BRAISES POURRAIENT SE TROUVER SOUS LA CENDRE. POUR LA MANIPULATION DES CENDRES UTILISEZ TOUJOURS DES OUTILS POUR CHARBONS ARDENTS, JAMAIS AVEC VOS MAINS! PORTER DES VÊTEMENTS IGNIFUGES ET UNE PROTECTION OCULAIRE.

Les cendres devraient être placées dans un contenant métallique avec un couvercle hermétique.

- D'autres rebuts ne doivent pas être mis dans le contenant de cendres.
- Le contenant de cendres fermé devrait être placé sur un plancher non combustible ou sur le sol, éloigné de tout matériau combustible jusqu'à ce qu'il soit refroidi.
- Les résidus minéraux du bois (environ 1 à 2 %) demeurent dans les cendres et sont un excellent fertilisant naturel pour tous les plants de jardin. Avant de disposer des cendres en les enfouissant dans le sol ou en les dispersant d'autre façon, elles devraient être gardées dans le contenant fermé jusqu'à ce que toutes les braises aient refroidi et elles devraient également être éteintes avec de l'eau.

Fonctionnalité des boutons de la télécommande :

Les boutons de la télécommande affecteront le poêle de la même façon que les boutons sur l'appareil :

Bouton de télécommande	Équivalent sur l'appareil
	
	
	
	
	

Remarque : Aucun témoin ou afficheur ne se trouve sur la télécommande, confirmant l'activation de la commande. Pour vérifier l'état de fonctionnement du poêle, installez l'application Smart Stove sur votre téléphone intelligent. Remarque:La portée de la télécommande est de 16 pieds (5 m).

CONNEXION WI-FI « SMART STOVE »

L'état de votre poêle peut être surveillé, contrôlé et programmé en utilisant l'application Smart Stove. (par NHHATC) qui est disponible à votre magasin d'applications pour les plateformes iOS ou Android.

Étape 1. Téléchargez l'application Smart Stove de NHHATC

Étape 2. Ouvrez l'application Smart Stove. L'application s'ouvre, par défaut, à l'écran « S'inscrire ». Cliquez sur le bouton « S'inscrire ».

Étape 3. Entrez votre adresse courriel dans le champ « Courriel » et cliquez sur le bouton « Obtenir le code de vérification ».

Étape 4. Entrez le code de vérification qui vous a été envoyé par courriel dans le champ « Saisir le code de vérification ».

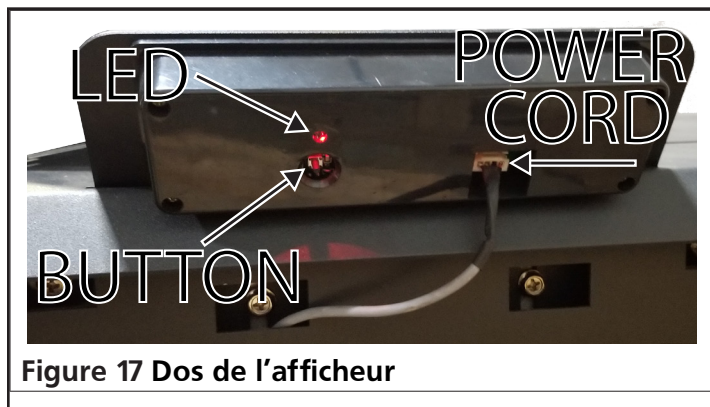
Étape 5. Vous pouvez maintenant définir un mot de passe unique pour votre appareil dans le champ « Définir le mot de passe » et cliquer sur le bouton « Terminé ».

Étape 6. Si vous n'avez pas d'autres dispositifs Wi-Fi déjà actifs sur cette application, un gros bouton «Ajouter un appareil» se trouvera au centre de l'écran sur lequel vous pouvez taper. Autrement, sélectionnez le signe + du coin supérieur droit de l'écran.

Étape 7. Assurez-vous que le poêle se connecte au réseau Wi-Fi accédé par votre dispositif.

Étape 8. Assurez-vous que le poêle est branché dans une prise électrique et qu'il peut être mis en marche.

Étape 9. Suivez les directives à l'écran en appuyant et maintenant le bouton de connexion à l'arrière de l'afficheur durant 3 secondes comme montré ci-dessous. Lorsque la séquence de clignotement de recherche du témoin s'active, appuyez sur le bouton de confirmation au bas de l'écran.



Étape 10. Saisissez le mot de passe du réseau wi-fi de sorte que le poêle puisse se connecter au réseau.

Étape 11. Le poêle commencera la procédure d'appariement avec le dispositif utilisant l'application par l'entremise du réseau wi-fi. Ce processus pourrait prendre quelques minutes.

Étape 12. Après que le dispositif et l'appareil seront appariés vous pourrez voir l'icône du poêle à grenailles sous l'onglet « Devices » au bas de l'écran.

Étape 13. Sur votre dispositif, naviguez à vos vos réglages de dispositifs wi-fi qui comprendront maintenant le poêle comme un des choix. Sélectionnez le poêle comme votre connexion wi-fi.

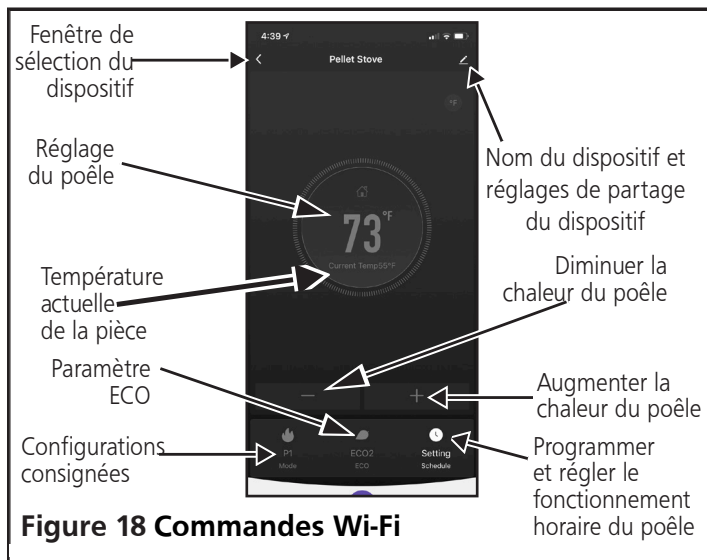
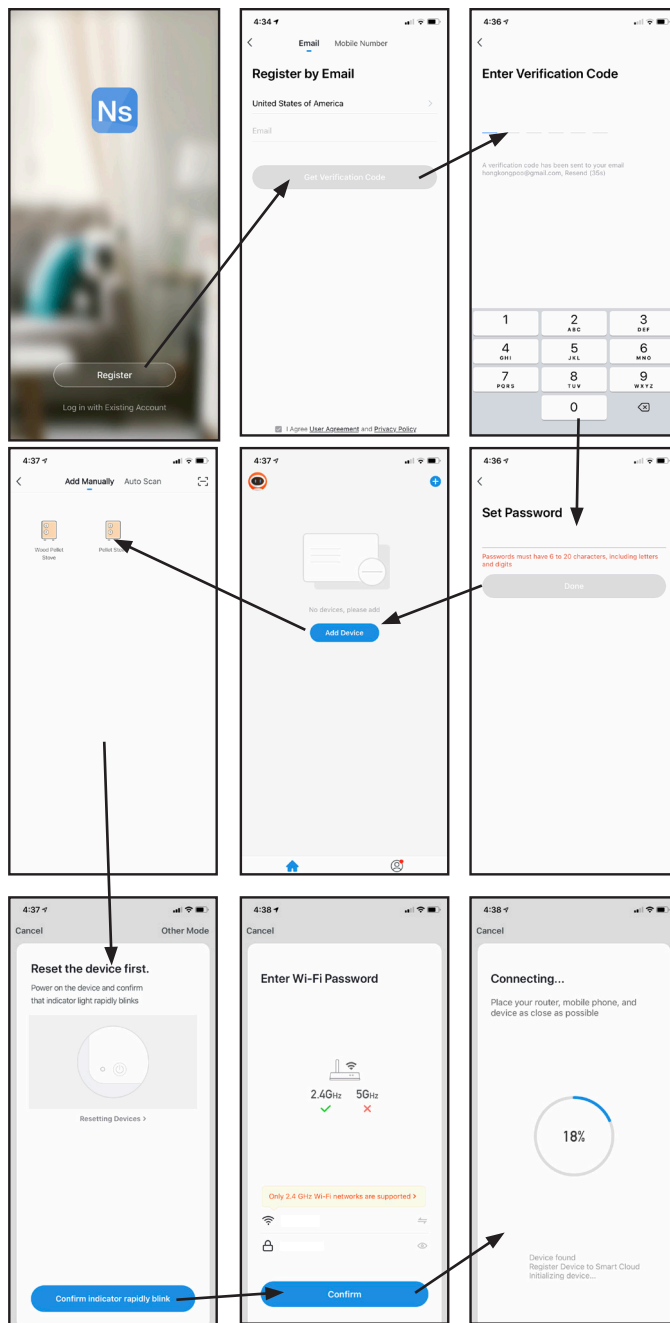
Étape 14. Ouvrez à nouveau l'application Smart Stove sur votre téléphone.

Étape 15. Vous pouvez maintenant sélectionner ce poêle à partir de la liste des dispositifs ajoutés pour programmer, commander et surveiller le fonctionnement du poêle.

COMMANDES WI-FI

Une fois connecté au poêle (voir l'étape 11 de Connexion Wi-Fi), vous pourrez ajuster et surveiller le fonctionnement du poêle à distance. Voir les explications ci-dessous :

- Nom du dispositif : Il est possible de changer le nom du poêle pour différencier l'appareil commandé en utilisant l'application « Smart Stove » (si vous avez plus d'un poêle).
- Partage du dispositif : il est possible de partager la connexion au poêle avec d'autres dispositifs par messagerie SMS ou par courriel. (suite page 18)



COMMANDES MULTI-FONCTIONS POUR H80XL, H140XL ET H3W80XL

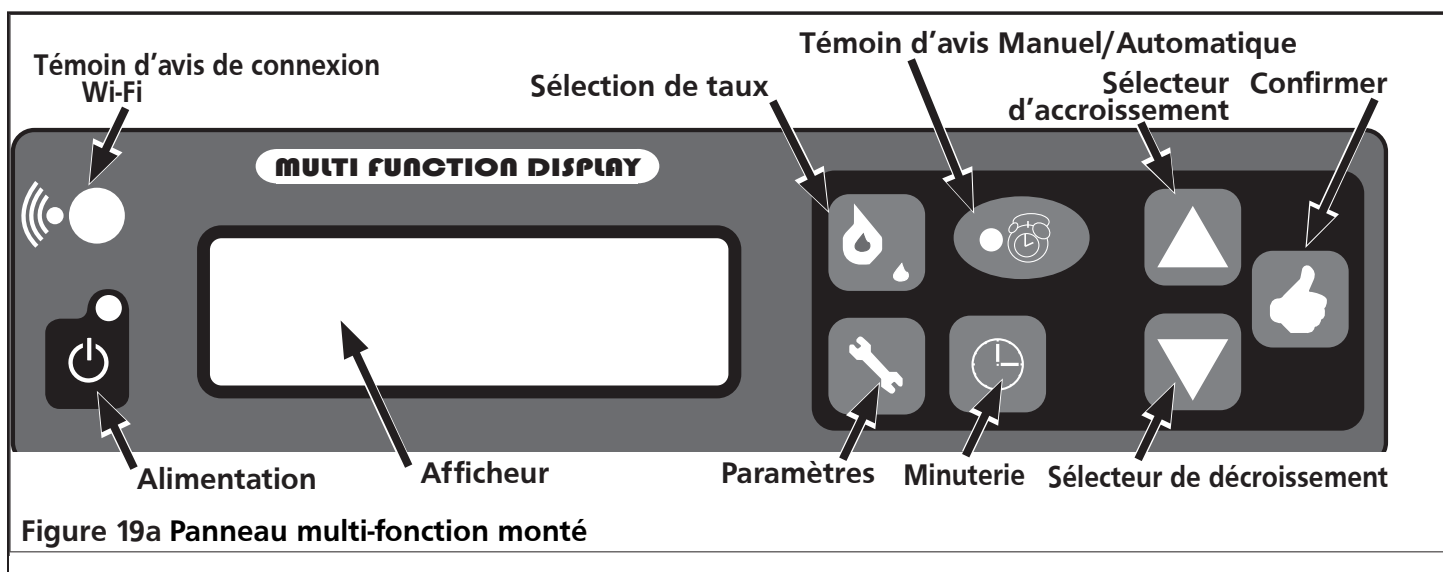


Figure 19a Panneau multi-fonction monté

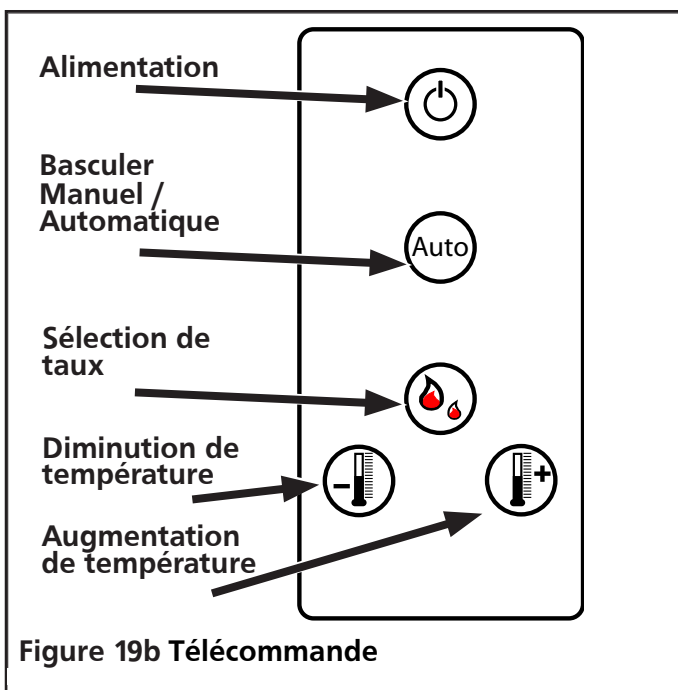


Figure 19b Télécommande

Fonctionnalité des boutons présents : Fonctionnement normal

	<ul style="list-style-type: none"> Le témoin s'allume lorsque le poêle est branché dans une prise électrique. Actionner le bouton d'alimentation pour allumer l'afficheur pour régler les paramètres. S'il n'y a pas d'interaction, l'afficheur s'éteindra après 10 secondes. Pour lancer l'allumage du poêle, actionner et maintenir le bouton d'alimentation durant 3 secondes. Pour lancer le cycle d'extinction, actionner et maintenir le bouton d'alimentation durant 3 secondes.
--	---

⚠ ATTENTION : Le fabricant a programmé les taux consignés pour garantir un fonctionnement convenable. Il est déconseillé de modifier ces consignes.

	<p>Actionner pour faire défiler les lectures de température (en Fahrenheit) (dans le coin supérieur droit de l'afficheur multi-fonction) :</p> <ul style="list-style-type: none"> ##(R) : Température de la pièce ##(S) : Température d'échappement ##(P) : Réglage du capteur de protection
	<p>Actionner pour augmenter la température à laquelle le poêle devra réchauffer la pièce. Cette valeur est affichée au coin supérieur droit de l'afficheur multi-fonction sous l'indicatif ##°F.</p>
	<p>Actionner pour diminuer la température à laquelle le poêle devra chauffer la pièce. Cette valeur est affichée au coin supérieur droit de l'afficheur multi-fonction sous l'indicatif ##°F.</p>
	<p>Actionner pour faire basculer entre la commande manuelle et la commande programmée. En mode de commande programmée, l'icône s'allumera.</p>
	<p>L'actionnement du sélecteur de taux fera défiler les quatre consignes de chauffage configurées. La consigne actuellement réglée est affichée en haut au centre de l'afficheur multi-fonction sous l'indicatif P#.</p> <ul style="list-style-type: none"> P1 [réglage de chauffage maximum] P2 [réglage de chauffage intermédiaire] P3 [réglage de chauffage bas] P4 [réglage de chauffage minimum]
	<ul style="list-style-type: none"> Actionner et maintenir le bouton de paramétrage durant 2 secondes pour accéder au menu de configuration. Pour quitter en tout temps le menu de configuration, actionner le bouton de paramétrage.

- Eco Mode : Il existe deux modes ECO pouvant être sélectionnés qui économiseront les granulés de bois tout en maintenant la température désirée. L'actionnement du bouton ECO permettra de basculer entre ces modes ou de les ignorer.
 - ECO 1 : Le poêle s'éteint lorsque la température désirée est atteinte. Il se rallumera à une température de la pièce pré-réglée en usine.
 - ECO 2 : Lorsque la température désirée est atteinte, le poêle passe en chauffage minimum (pré-réglage P4). Il se remettra à un réglage plus élevé lorsque la température de la pièce aura descendu à la température pré-réglée en usine.
- Configurations consignées : Quatre configurations peuvent être sélectionnées qui contrôlent la vitesse du ventilateur de combustion et du ventilateur de circulation d'air dans la pièce. L'actionnement du bouton Configurations consignées permettra de défiler entre les différentes configurations consignées ou d'ignorer les pré-réglages.
 - P1 [réglage de chauffage maximum]
 - P2 [réglage de chauffage intermédiaire]
 - P3 [réglage de chauffage bas]
 - P4 [réglage de chauffage minimum]

OPÉRATION MANUELLE DU POÊLE

AJUSTER LA VIS À GRANULES

(TAUX DE DISTRIBUTION DES GRANULES)

1. Utilisez le bouton Rate Select pour passer d'un réglage à l'autre, P1, P2, P3, P4. Les taux de distribution sont les suivants :

P1 : Taux de distribution [Maximum] des granulés

P2 : Taux de distribution [Moyen] des granulés

P3 : Taux de distribution [Bas] des granulés

P4 : Taux de distribution [Minimum] des granulés

Remarque : Si nécessaire, appuyez et maintenez enfoncé le bouton « Temps » pendant 2 à 5 secondes pour faire tourner la tarière.

AJUSTER LES VENTILATEURS

1. Tenez enfoncé le bouton Settings pendant 2 secondes.
2. Appuyez sur le bouton Confirm pour passer d'un réglage de taux de distribution des granulés à l'autre, tour à tour.
3. Ajustez le réglage « S » pour le ventilateur d'aération et le réglage « F » pour le ventilateur de soufflage en employant les boutons de sélection vers le haut et le bas.

4. Utilisez le bouton Time pour choisir le mode « S » ou « F ».
Remarque : Plus le réglage est bas, plus le ventilateur est lent. Ne changez les réglages que quelques chiffres à la fois.
5. Appuyez sur le bouton Settings pour revenir à l'écran d'accueil.

POUR CHANGER L'HEURE (HORLOGE 24 HEURES)

1. Tenez enfoncé le bouton Settings pendant 2 secondes.
2. Appuyez sur le bouton Confirm pour vous rendre à Modify Clock.
3. Utilisez le bouton Time pour passer des heures aux minutes.
4. Utilisez les boutons de sélection vers le haut et le bas pour changer l'heure actuelle.
5. Appuyez sur le bouton Settings pour revenir à l'accueil.

POUR FAIRE LE RÉGLAGE MARCHE/ARRÊT AUTOMATIQUE

1. Tenez enfoncé le bouton Settings pendant 2 secondes.
2. Parcourez les réglages avec le bouton Confirm jusqu'à ce que les jours de la semaine soient visibles.
3. Utilisez le bouton Time pour changer la journée.
4. Utilisez les boutons de sélection vers le haut et le bas pour indiquer quand le poêle doit être en marche ou éteint.

Remarque: La longue case signifie EN MARCHE, la case courte signifie ARRÊTÉ.

Remarque: Chaque case représente une heure de la journée sur une période de 24 heures. La première case est donc 0 h (minuit) et la dernière est 23 h (11 h du soir).

5. Appuyez sur le bouton Settings pour revenir à l'accueil.

CHANGER LES MODES ECO

1. Tenez enfoncé le bouton Settings jusqu'à ce que le poêle fasse entendre une tonalité.
2. Appuyez sur le bouton Confirm (sans le tenir enfoncé) sept fois de suite pour vous rendre à l'écran « Eco Mode ».
3. Appuyez sur le bouton Time pour circuler entre les différents modes Eco choisis.
4. Appuyez sur le bouton Settings pour revenir à l'écran d'accueil.







ECO 1 MODE

ECO 1: Le poêle s'arrête une fois que la température désirée est atteinte. Le poêle se remet en marche une fois que la pièce refroidit à la température réglée en usine.

ECO 2 MODE

ECO 2: Le poêle passe au réglage de puissance minimum P4 lorsque la température désirée est atteinte. Le poêle passe à un réglage de puissance plus élevé une fois que la pièce refroidit à la température réglée en usine.

TOUCHE DE COMMANDE

	CONFIRMATION (« CONFIRM »)
	BOUTON DE SÉLECTION VERS LE HAUT
	BOUTON DE SÉLECTION VERS LE BAS
	HEURE (« TIME »)
	RÉGLAGES (« SETTINGS »)
	SÉLECTION DU TAUX (« RATE SELECT »)

ENTRETIEN

Pour un bon rendement de fonctionnement ce poêle à granulés de bois nécessite un entretien périodique. Toute opération ne respectant pas les directives du présent Guide du propriétaire contrevient à la réglementation fédérale.

⚠ ATTENTION : ÉTEINDRE ET DÉBRANCHER LE POÊLE DE LA PRISE DE COURANT AVANT TOUT ENTRETIEN.

⚠ ATTENTION : LAISSER LE POÊLE SE REFROIDIR AVANT D'EFFECTUER TOUT ENTRETIEN.

⚠ ATTENTION : DURANT TOUT DÉMONTAGE OU REMONTAGE, PRENDRE GARDE DE NE PAS ÉCHAPPER QUOI QUE CE SOIT (VIS ETC.) DANS LA TRÉMIE. LES DÉBRIS PEUVENT BLOQUER LA TARIÈRE ET ENDOMMAGER LE POÊLE.

La fréquence à laquelle votre poêle nécessitera un nettoyage et un entretien dépendra de la qualité des granulés utilisés. Leur haut taux d'humidité ou l'utilisation de fragments poussiéreux ou comprenant des cendres pourrait faire

doubler le besoin d'entretien du poêle. Utilisez seulement les granulés de bois approuvés.

À chaque jour, nettoyez le pot de combustion et le cabaret de récupération alors que le poêle est refroidi, qu'il est débranché et qu'il ne s'y trouve pas de braises chaudes. À l'aide d'un aspirateur, nettoyez le pot de combustion de ses cendres et débris et puis soulevez le pot pour nettoyer le cabaret sous-jacent. Il est important que les ouvertures d'aération du pot ne soient pas obstruées de cendres ou de débris.

Un calendrier de nettoyage général serait comme suit :

- Pot de combustion : Après 10 sacs de granulés de bois, ou de façon quotidienne. Selon la première éventualité.
- Tiroir de cendre : Après 50 sacs de granulés de bois
- Canalisations internes : Après 100 sacs de granulés de bois
- Ventilateur : Après 100 sacs de granulés de bois

IMPORTANT: Il faut aussi s'assurer de vous référer au supplément concernant l'horaire de nettoyage, à la fin de cette section.

NETTOYAGE : POT DE COMBUSTION ET CABARET

⚠ ATTENTION : SI LE POÊLE EST POUR SERVICE CONTINU, IL DEVRA ÊTRE ÉTEINT AUX INTERVALLES DE 24 HEURES POUR NETTOYER LE POT DE COMBUSTION ET LE CABARET. LAISSER TOUJOURS LE POÊLE REFROIDIR ET LES BRAISES S'ÉTEINDRE AVANT LE NETTOYAGE.

Assurez-vous de replacer le pot de combustion dans la bonne orientation de sorte que les granulés puissent être alimentés et allumés sans problème.

NETTOYAGE : VITRE

⚠ AVERTISSEMENT : NE PAS NETTOYER LA VITRE LORSQUE CHAUDE.

Bien que la circulation d'air sur la porte vitrée réduit l'accumulation de cendre acide sur la vitre, son nettoyage sera quand-même requis périodiquement. Le nettoyage est nécessaire pour prévenir l'affaiblissement du verre, ce qui pourrait augmenter son risque de fendillement. Il n'est pas acceptable de faire fonctionner un poêle avec une vitre fendillée ou brisée.

Le meilleur moyen de nettoyer la porte vitrée est d'utiliser un linge humide enduit de cendres refroidies. Pour la saleté incrustée consultez votre quincailler ou un expert d'entretien de poêles pour des conseils de produits nettoyants.

⚠ AVERTISSEMENT : NE PAS NETTOYER LA VITRE AVEC UN PRODUIT ABRASIF OU TOUT AUTRE MOYEN QUI POURRAIT ÉGRATIGNER OU ENDOMMAGER LE VERRE.

NETTOYAGE : CANALISATIONS D'ENTRÉE ET DE SORTIE

Les canalisations d'entrée et de sortie devraient être nettoyées au moins une fois par année. La consommation de granulés produisant un taux élevé de cendres pourrait nécessiter un nettoyage plus fréquent des canalisations.

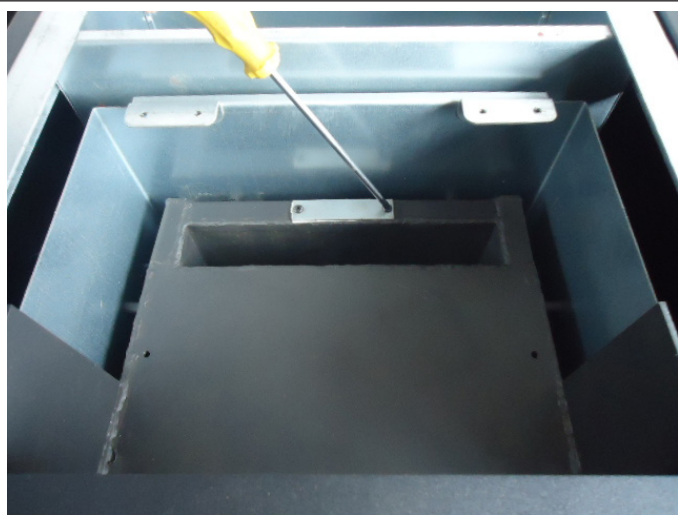


Figure 20 Canalisation de sortie

Un panneau d'accès se trouve de chaque côté du poêle qui peut être déposés en dévissant ses vis de fixation. Voir les figures 21, 24 et 25. Éteindre le poêle, le laisser se refroidir et le débrancher avant tout démontage et nettoyage.

Utiliser une brosse dans les ouvertures pour dégager toute accumulation de cendre et nettoyer à l'aide d'un aspirateur. Remettre les panneaux en place et les fixer solidement avec leurs vis à tête Allen.

Deux autres ouvertures des canalisations d'entrée et de sortie sont accessibles en déposant le tiroir de cendre. Desserrer les deux vis de 5/32 po à tête Allen montrées à la Figure 20. Faire pivoter les couvercles pour exposer l'ouverture. À l'aide d'une brosse, dégager toute accumulation de cendre. Utiliser une brosse dans les ouvertures pour dégager toute accumulation de cendre et nettoyer à l'aide d'un aspirateur. Replacer les couvercles devant les ouvertures et les fixer solidement avec leurs vis à tête Allen.

NETTOYAGE : VENTILATEUR DE CONVECTION

En vous tenant devant le poêle, vous trouverez le moteur du ventilateur faisant circuler l'air autour du pot et le dirigeant dans la pièce, sur le côté droit. Pour y accéder, ouvrir et déposer le panneau latéral. Nettoyez le ventilateur de convection au besoin alors que le poêle est refroidi, qu'il est débranché et qu'il ne s'y trouve pas de braises chaudes. Lors de l'opération de nettoyage, prenez garde de ne pas endommager les pales du ventilateur. A l'aide d'un aspirateur, nettoyer toute accumulation de poussière sur les pales du ventilateur et à l'intérieur de la canalisation.

NETTOYAGE : TUYAU DE SORTIE D'ÉCHAPPEMENT

Inspecter le système d'aération de sortie au moins une fois par année et déterminez si un nettoyage est requis. Des cendres, de la suie et de la créosote peuvent se produire durant le démarrage, l'extinction et le mauvais fonctionnement. Pour nettoyer le système d'aération, insérez une brosse de nettoyage de dimension appropriée dans le



H140XL



H80XL, H3W80XL

Figure 21 Démontage du ventilateur de convection

tuyau pour dégager et retirer toute cendre ou accumulation de débris. L'accumulation de débris et les cendres peuvent restreindre le débit de gaz qui affectera la performance du poêle, et ne pas retirer la créosote pourrait résulter en un dangereux feu de cheminée.

CENDRES VOLANTES - FORMATION ET BESOIN DE RETIRER

Les produits de combustion comprendront de petites particules de cendres volantes. Les cendres volantes s'accumuleront dans le système d'échappement et restreindront l'évacuation des gaz de sortie. La combustion incomplète qui se produit durant le démarrage, l'extinction ou lors de mauvais fonctionnement du poêle conduira à la formation de suie qui s'accumulera dans le système d'échappement des gaz. Le système d'aération de sortie devra être inspecté au moins une fois par année pour déterminer si un nettoyage est requis. Pour dégager les accumulations de la canalisation, utilisez une brosse de cheminée de taille appropriée.

CRÉOSOTE - FORMATION ET BESOIN DE RETIRER

Ne pas retirer la créosote pourrait résulter en un dangereux feu de cheminée.

Lorsque les grenailles de bois sont consommées à basse température elles produisent des émanations organiques qui, combinées à l'humidité dégagée produit de la créosote. Les émanations de créosote se condensent dans les gaz relativement frais de la cheminée devenant un combustible potentiel d'allumage et elles s'accumulent sur la paroi de la cheminée. Si allumée, la créosote dégage une chaleur extrême. Le tuyau de raccordement à la cheminée devrait être inspecté au moins à tous les deux mois durant la saison d'utilisation pour déterminer si une accumulation de créosote s'est produite. Si l'accumulation atteint 3 mm (1/8 po) elle devra être retirée pour éliminer le danger de feu de

cheminée. Pour dégager les accumulations du tuyau, utilisez une brosse de cheminée de taille appropriée.

Sachez que sous chauffage modéré en début et fin de saison une plus grande formation de crésote sera probable et un nettoyage hebdomadaire pourrait être requis alors qu'en chauffage plus élevé durant l'hiver un nettoyage mensuel pourrait suffire. Pour apprendre comment traiter un feu de cheminée, communiquez avec les autorités ou le service d'incendie de votre localité. En tant que préparation, ayez un plan de réaction précis pour éteindre les feux de cheminée.

REPLACEMENTS : VITRE

Tout bris de vitre ne devra être adressée que par le remplacement de la porte complète fournie par le fabricant. Voir pages 32 à through 34.

⚠ Avertissement : L'UTILISATION DE MATÉRIAU SUBSTITUT POURRAIT BRISER LA VITRE ET CAUSER DES BLESSURES.

REPLACEMENTS : JOINTS D'ÉTANCHÉITÉ

Au fil du temps, les joints d'étanchéité autour de la vitre, de la porte et du tiroir de cendre pourraient perdre de leur rigidité. Ces joints sont essentiels pour sceller le système permettant un fonctionnement sécuritaire. Inspectez les joints régulièrement et s'ils deviennent usés, communiquez avec le fabricant pour connaître le numéro de pièce requis pour votre unité.

Pour remplacer le joint d'étanchéité :

1. S'assurer que toutes les grenailles sont éteintes et que le poêle est froid.
2. Retirer le joint usé et nettoyer le sillon d'insertion.
3. Appliquer un mince film de ciment à joint d'étanchéité résistant aux températures élevées à l'intérieur du sillon.
4. Presser l'extrémité du joint d'étanchéité de remplacement dans le sillon préparé à partir du point gauche le plus élevé.
5. Continuer à presser le joint dans le sillon en sens horaire tout autour de la porte pour revenir faire contact au point de départ.
6. Couper l'excédent et bien presser les extrémités ensemble dans le sillon.

Fermer, la porte, tiroir ou tiroir de cendre et laisser le ciment durcir durant 3 à 4 heures avant d'allumer le poêle.

REPLACEMENTS : ALLUMEUR À SURFACE CHAUDE

S'assurer que le poêle est refroidi. À l'arrière à l'intérieur du poêle, dévisser les vis de fixation de l'allumeur. Sortir l'allumeur et le remplacer par le nouveau. Voir les figures 22 et 24.

Master Forge Poêle à grenailles de bois

REMARQUE: SELON LE MODÈLE DE POÊLE, IL PEUT ÊTRE NÉCESSAIRE D'ENLEVER LE MOTEUR DE LA VIS SANS FIN POUR FAIRE GLISSER L'ALLUMEUR HORS DE SON LOGEMENT.

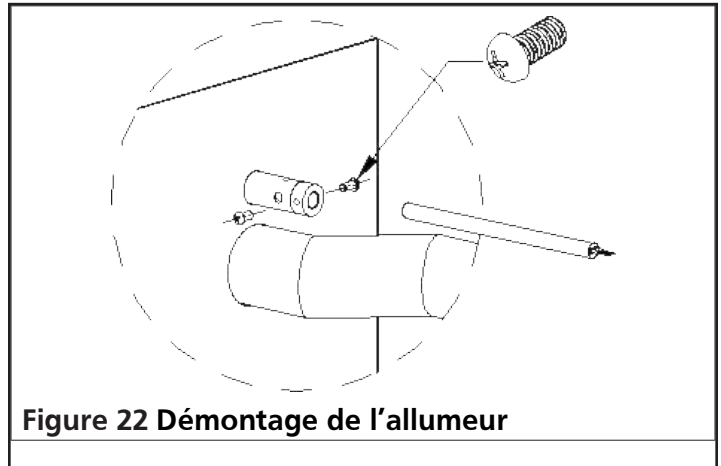


Figure 22 Démontage de l'allumeur

REPLACEMENTS : SYSTÈME DE TARIÈRE

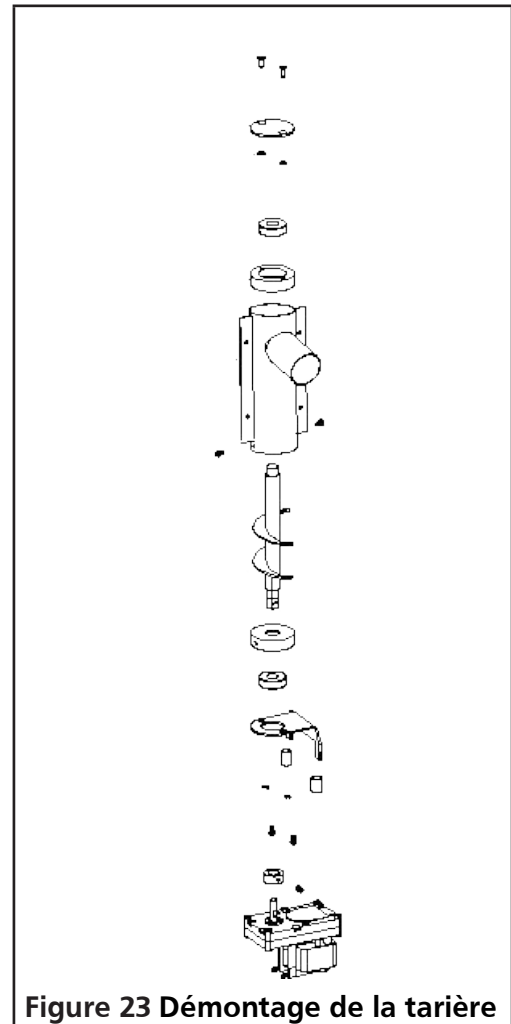


Figure 23 Démontage de la tarière

S'assurer que le poêle est refroidi. À partir de l'arrière à l'intérieur du poêle, la tarière peut être démontée en pièces détachées selon la séquence des pièces montrée à la Figure 23.

RETRAIT DES PANNEAUX ARRIÈRE ET LATÉRAUX



Figure 24 Démontage du dos et des côtés du modèle H140XL

- Pour retirer les panneaux latéraux du modèle H140XL, retirer les vis de fixation à l'arrière de l'unité et faire glisser le panneau vers l'arrière.
- Pour retirer la plaque arrière du modèle H140XL, retirer les huit vis de fixation à l'arrière de l'unité.
- Pour retirer les panneaux latéraux du modèle H80XL, retirer les vis de fixation à l'arrière de l'unité et retirer directement le panneau.
- Pour ouvrir le côté du modèle H3W80XL, faire simplement pivoter le panneau latéral hors de ses aimants de retenue.

REPLACEMENTS : VENTILATEUR D'ÉCHANGEUR D'AIR CHAUD

Débrancher le poêle. Déconnecter tout câblage raccordé au ventilateur d'air chaud. Retirer les vis de fixation de la plaque de montage. Retirer lentement le ventilateur et le remplacer par le nouveau. Fixer la plaque à l'aide des vis et reconnecter les fils.



Figure 25 Ventilateur d'échangeur d'air chaud du modèle H3W80XL

REPLACEMENTS : VENTILATEUR D'ÉCHAPPEMENT

Débrancher le poêle. Déconnecter tout câblage raccordé au ventilateur d'échappement. Retirer les écrous à oreilles maintenant la plaque de l'ensemble sans son logement. Retirer lentement le ventilateur et le remplacer par le nouveau. Fixer avec les écrous à oreilles et reconnecter les fils.

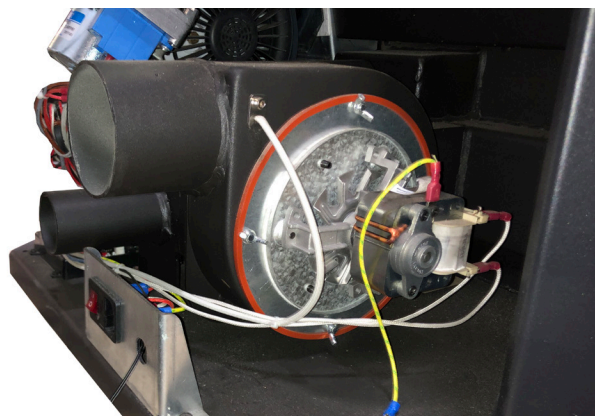


Figure 26 Ventilateur d'échappement du modèle H3W80XL

COMPOSANTS DE SÉCURITÉ

1. Pressostat de vide : Un pressostat de vide est fixé derrière le bas de la porte gauche. Si une basse pression est créée par une fuite, l'ouverture de la porte du pot de combustion, une cheminée obstruée ou un tiroir de cendre non scellé, le pressostat éteindra le poêle comme mesure de précaution. Le code d'erreur E5 s'affichera à l'écran.
2. Thermostat de limite de température : Une protection de température élevée est placée sous le fond de la trémie. Si ce capteur est exposé à une température dépassant 85° C (185° F), le poêle sera éteint.
3. Thermostat de température élevée dans le tuyau d'échappement : Une protection de température élevée est placée sur le tuyau d'échappement. Si ce capteur est exposé à une température dépassant 40° C (104° F), le ventilateur de circulation d'air sera mis en marche.
4. Thermostat de basse température dans le tuyau d'échappement : Si le poêle se refroidit en bas de la consigne de température minimum, il s'éteindra. Ceci pourrait se produire si le poêle ne se réchauffe pas assez rapidement après l'allumage.
5. Fusible : Un élément fusible à l'arrière du dispositif protège contre les défauts et les risques d'électrocution. Voir Figure 27.



Figure 27
Fusible

HORAIRE DE NETTOYAGE DU POÊLE À GRANULES

Étape 1 :

Éteindre le poêle, et le laisser refroidir complètement.

Étape 2 :

Empoigner votre aspirateur à cendres pour enlever les cendres et les débris du pot à feu et dans la région environnante, ainsi que toutes les piles de cendres ou de débris que vous voyez.

Étape 3 :

Soulever et retirer le pot à feu – s’assurer que cette région soit libre de débris. Passer l’aspirateur sous le pot à feu, en prenant grand soin de passer l’aspirateur dans la voie d’aéragé sous le pot à feu.

Étape 4 :

Empoigner votre outil de nettoyage et le déplacer vers le pot à feu. Gratter pour éliminer tout débris hors du pot à feu, en s’assurant que tous les trous dans le pot à feu sont libérés de toute accumulation.

Étape 5 :

Essuyer la vitre. Ne jamais nettoyer la vitre avec de l’eau froide ou un nettoyeur alors que la vitre est encore chaude, puisque cela peut causer le craquelage du verre. La méthode que nous recommandons nécessite un chiffon ou une serviette de papier humide. L’appliquer sur les cendres froides, puis essuyer la vitre en commençant par le haut.

Étape 6 :

Certains modèles ont un tiroir pour les cendres. C’est alors une bonne idée de le vider à chaque fois que vous nettoyez votre poêle. Il est possible d’utiliser un aspirateur à cendres pour éliminer les cendres du tiroir.

Étape 7 :

Les modèles mini offrent des tiges de nettoyage. Vos tiges de nettoyage doivent être utilisées quotidiennement après que le poêle ait refroidi. Elles effectuent le nettoyage à l’intérieur de l’évacuation, là où les cendres et les débris peuvent s’accumuler. Si une accumulation excessive survient, votre poêle n’aura plus la bonne quantité d’air de combustion.

NETTOYAGE HEBDOMADAIRE

Étape 1 :

Nous recommandons de laisser le poêle manquer de granules; de sorte que la réserve soit vide. Passer l’aspirateur sur la réserve. Éliminer toute la poussière de la réserve, et inspecter votre réserve.

Étape 2

Les modèles de taille moyenne et grande comportent des plaques de conduit. Retirer la plaque de conduit centrale, en la glissant vers le haut. Après avoir glissé la plaque de conduit centrale et l’avoir sortie, il est possible de retirer les plaques de gauche et de droite. Passer l’aspirateur et brosser les plaques de conduit, gratter toute vitrification et accumulation. Vérifier les parois derrière les plaques de conduit pour détecter la présence de débris. S’assurer aussi de passer l’aspirateur derrière les plaques de conduit.

Étape 3 :

Le cas échéant, retirer le tiroir des cendres, et passer l’aspirateur sur le tiroir. Puis, brosser et gratter toutes les crasses et les accumulations. S’assurer que la région sous le tiroir soit elle aussi propre.

Étape 4 :

Inspecter la chute de la vis sans fin. S’il y a une accumulation de créosote ou de poussière de granule, nettoyer la chute avec une brosse à poils d’acier.

À TOUTES LES DEUX SEMAINES

Il faut vous rendre à l’extérieur, et inspecter visuellement le chapeau de terminaison sur l’évacuation. S’assurer qu’aucun animal tente de faire son nid, et vérifier la présence de toute accumulation de cendres sur la grille.

AU MOINS UNE FOIS PAR MOIS

Étape 1 :

Utiliser une brosse de nettoyage pour dégager les entrées d'air, localisées sous le pot à feu, qui vont vers l'arrière du poêle; le placement et la taille exactes peuvent varier d'un modèle à l'autre.

Étape 2 :

Pour les modèles de taille moyenne et grande avec des plaques de conduit, le port d'évacuation se trouve derrière une plaque de conduit, à gauche du pot à feu. S'assurer de bien nettoyer avec une brosse à poils d'acier, et d'y passer l'aspirateur.

Étape 3 :

Utiliser une brosse de nettoyage pour dégager les ports d'évacuation d'air dans votre chambre de combustion. Le nombre de ports d'évacuation varie d'un modèle à l'autre.

Pour les modèles mini : Ils comportent quatre ports d'évacuation en haut de la chambre de combustion.

Pour les modèles avec hublot à l'avant : Ils comportent deux ports d'évacuation en haut de la chambre de combustion. Il faut vérifier qu'ils soient dégagés pour assurer une circulation optimale de l'air dans la chambre de combustion.

À TOUTES LES DEUX (2) TONNES DE GRANULES, OU À TOUS LES DEUX MOIS

Inspecter le tee de nettoyage. Retirer toutes les cendres accumulées et resceller la connexion, au besoin.

ANNUELLEMENT

- Il est important de retirer le ventilateur de combustion; utiliser une brosse à poils d'acier sur la créosote, et passer l'aspirateur sur les débris. Cela est important pour la région au-dessous du ventilateur et sur le ventilateur même. Lors du retrait du ventilateur de combustion, si le joint d'étanchéité est usé, vous pouvez retirer le joint d'étanchéité et utiliser de la silicone rouge RTV pour la haute température pour créer un nouveau joint d'étanchéité pour le ventilateur.
- Vous pourriez devoir retirer le conduit de l'arrière du poêle, et utiliser une brosse à poils d'acier pour y passer aussi l'aspirateur pour le nettoyage.
- Il pourrait s'avérer nécessaire de recourir aux services d'un ramoneur de cheminée pour nettoyer votre système d'évacuation de manière régulière. Il faut porter une attention particulière sur les coudes, puisqu'ils peuvent accumuler de la créosote encore plus que les conduits droits.
- C'est aussi une bonne idée de nettoyer votre conduit d'entrée d'air annuellement.


Pour les modèles mini : Il est localisé derrière le panneau de droite. Il y a un couvercle d'entrée d'air qui doit être retiré, et la voie d'aérage doit être nettoyée. Si les joints d'étanchéité sont endommagés ou usés, il est possible d'en fabriquer de nouveaux avec de la silicone rouge RTV pour la haute température.

Pour les modèles avec hublot à l'avant : Les voies d'aérage comportent une ouverture derrière le tiroir des cendres. Le tiroir des cendres devra être retiré complètement, et les couvercles peuvent être retirés avec une clé Allen de 3 mm. Une brosse à poils d'acier et un aspirateur à cendres peuvent aussi être utilisés pour nettoyer les voies d'aérage.

CODES D'ERREUR

REMARQUE :DANS L'ÉVENTUALITÉ D'UNE PANNE DE COURANT (CODE D'ERREUR E7), UNE FAIBLE QUANTITÉ DE FUMÉE POURRAIT ÊTRE DÉGAGÉE. CECI DURERA DE TROIS À CINQ MINUTES ET NE REPRÉSENTE PAS UN DANGER.

⚠ ATTENTION : S'IL S'EST PRODUIT UNE SURCHAUFFE (CODES D'ERREUR E5 ET E6), ALORS UNE INSPECTION, ENTRETIEN ET/OU UN NETTOYAGE DEVRA ÊTRE EFFECTUÉ AVANT QUE LE POÊLE PUISSE ÊTRE UTILISÉ DE FAÇON SÉCURITAIRE DE NOUVEAU.

Après avoir suivi les étapes de solution suggérées, actionner le bouton de confirmation  pour supprimer le code d'erreur de l'afficheur multi-fonction. Et puis effectuer la procédure de fonctionnement de la page 13 pour rallumer le poêle.

CODE D'ERREUR	CAUSE	SOLUTION
E1	La température d'échappement est en dessous de 4,44 à 7,22 C (40 à 45 C). Le fonctionnement a été interrompu et le chauffage arrêté.	<ol style="list-style-type: none"> 1. Vérifier la présence de grenailles dans la trémie. 2. Vérifier le fonctionnement du moteur de la tarière et que celle-ci alimente bien le pot de combustion.
E2	Échec d'allumage des grenailles dans le pot de combustion.	<ol style="list-style-type: none"> 1. S'assurer que le pot de combustion ne comporte pas de fragments de différentes tailles formés par des débris exposés à la chaleur élevée (plus commun lors d'utilisation de grenailles de moindre qualité). 2. S'assurer que le pot de combustion soit bien assis dans son support et qu'il n'y a pas d'obstruction devant l'allumeur. 3. S'assurer que le capteur de température de gaz d'échappement, adjacent au ventilateur de combustion, est en bon état et n'a pas subi de dommage. 4. S'assurer que l'allumeur n'est pas brisé.
E5	Basse pression détectée par le pressostat de vide (se référer à la vue éclatée).	<ol style="list-style-type: none"> 1. S'assurer que la porte et le tiroir de cendre (le cas échéant) sont bien fermés. 2. S'assurer que la canalisation d'échappement n'est pas obstruée ou qu'elle n'a pas de fuite. 3. S'assurer que le ventilateur de combustion est fonctionnel.
E6	Signal du capteur de température élevée (situé sous la trémie).	<ol style="list-style-type: none"> 1. S'assurer que le capteur n'est pas défectueux. 2. La température au niveau du capteur est trop élevée. Le poêle ne fonctionne pas correctement. Appelez le service à la clientèle.
E7	Panne de courant.	Actionner le bouton de Confirmation pour supprimer le code d'erreur. Rallumer le poêle. Vous pouvez décider de sauter par-dessus les cycles précédents et de passer directement au cycle de stabilisation, en actionnant et maintenant le bouton de sélection de taux durant 3 secondes.
ESC1	Capteur de température n° 1 court-circuité (échappement)	<ol style="list-style-type: none"> 1. Vérifier les fils et les points de raccordement. 2. Contactez le support technique pour obtenir de l'aide.
ESO1	Capteur de température n° 1 en circuit ouvert	<ol style="list-style-type: none"> 1. Vérifier les fils et les points de raccordement. 2. Contactez le support technique pour obtenir de l'aide.
ESC2	Capteur n° 2 court-circuité, de température de trémie	<ol style="list-style-type: none"> 1. Vérifier les fils et les points de raccordement. 2. Contactez le support technique pour obtenir de l'aide.
ESO2	Capteur de température n° 2 en circuit ouvert	<ol style="list-style-type: none"> 1. Vérifier les fils et les points de raccordement. 2. Contactez le support technique pour obtenir de l'aide.

CODES D'ERREUR (SUITE)

ESC3	Capteur de température de pièce n° 3 court-circuité	<ol style="list-style-type: none"> 1. Vérifier les fils et les points de raccordement. 2. Contactez le support technique pour obtenir de l'aide.
ESO3	Capteur de température n° 3 en circuit ouvert	<ol style="list-style-type: none"> 1. Vérifier les fils et les points de raccordement. 2. Contactez le support technique pour obtenir de l'aide.

DÉPANNAGE

SYMPTÔME	CAUSE	SOLUTION
Le poêle ne s'allume pas.	Le commutateur d'alimentation n'est pas fermé.	Actionner le commutateur d'alimentation.
	Le cordon d'alimentation est débranché.	<ol style="list-style-type: none"> 1. Insérer à fond le cordon d'alimentation dans le poêle 2. S'assurer que la prise murale fournit une tension de 120 V.
	Le fusible est grillé.	Remplacer le fusible.
Le ventilateur ne tourne pas durant les cycles de nettoyage, d'alimentation et d'allumage.	Ceci est normal.	Ceci n'est pas un problème, le ventilateur ne se met en marche qu'au cycle de stabilisation.
Le ventilateur ne se met pas en marche durant le cycle de stabilisation.	Le poêle/panneau de commande n'est pas sous tension.	Vérifier l'alimentation et les câbles.
	Carte mère débranchée.	S'assurer que les connecteurs de la carte sont complètement insérés.
	Le capteur de basse température est défectueux.	Remplacer le capteur.
La tarière n'alimente pas le pot de combustion durant les cycles incluant le cycle d'allumage.	La trémie est vide.	Ajouter des grenailles dans la trémie.
	La tarière est coincée, obstruée ou déconnectée.	<ol style="list-style-type: none"> 1. Débrancher l'unité de sorte qu'il ne se produise pas de démarrage inattendu et dégager le blocage de la tarière. 2. Vérifier que la tarière ne soit pas bloquée. Si c'est le cas, dégager le produit causant le coincement. 3. S'assurer que la vis de fixation de la tarière au moteur est bien serrée.

DÉPANNAGE (SUITE)

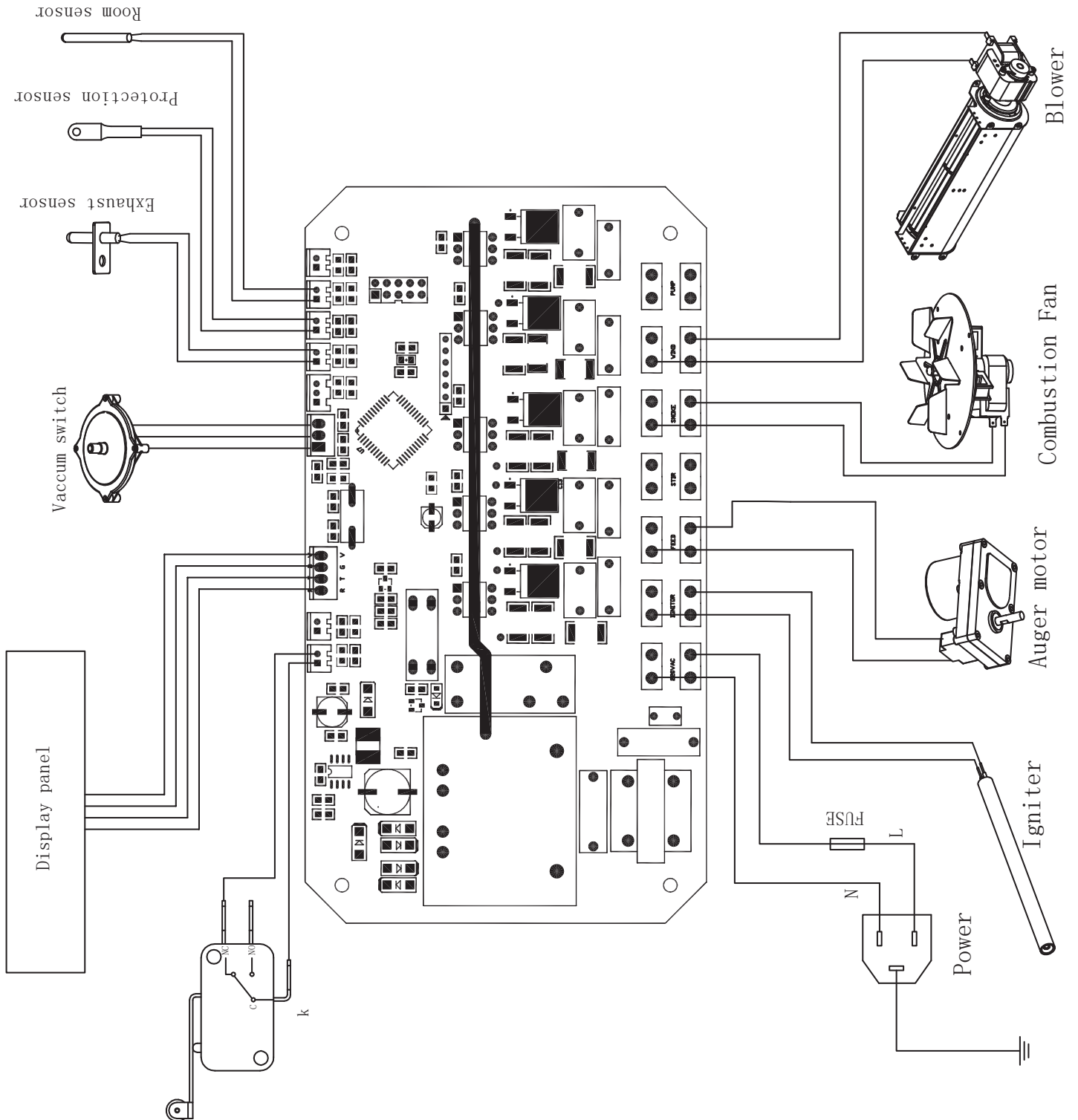
SYMPTÔME	CAUSE	SOLUTION
Trop de grenailles dans le pot de combustion. Les grenailles ne se consomment pas toutes entièrement.	La vitesse d'alimentation est plus grande que la capacité de combustion.	1. Augmenter la vitesse du ventilateur pour augmenter le taux de combustion.
Pas assez de grenailles dans le pot de combustion.	La vitesse d'alimentation n'est pas suffisante pour soutenir ce taux de combustion.	1. Diminuer la vitesse du ventilateur pour diminuer le taux de combustion. 2. Augmenter la vitesse d'alimentation.
Le poêle s'éteint 15 minutes après avoir été allumé.	La trémie est à un bas niveau.	Vérifier la présence de suffisamment de grenailles dans la trémie.
	La tarière ne fonctionne pas.	1. Débrancher l'unité de sorte qu'il ne se produise pas de démarrage inattendu et dégager le blocage de la tarière. 2. Vérifier que la tarière ne soit pas bloquée. Si c'est le cas, dégager le produit causant le coincement. 3. S'assurer que la vis de fixation de la tarière au moteur est bien serrée.
	Le thermostat de température de 30 °C s'est déclenché.	1. S'assurer que les fils du thermostat sont bien connectés. 2. Remplacer le thermostat de 30 °C.
	Le pressostat à l'intérieur du poêle est défectueux.	Remplacer le pressostat.
Flamme orange, grenailles s'empilent dans le pot de combustion, dépôts de carbone sur la vitre.	Insuffisance d'air pour une combustion adéquate.	1. S'assurer que la bouche d'entrée d'air sur le devant est ouverte. 2. S'assurer que les joints d'étanchéité de la fenêtre et de la porte sont en bon état. 3. Vérifier que les canalisations d'entrée et de sortie d'air ne sont pas bloquées. 4. Augmenter la superficie d'ouverture des canalisations. 5. Augmenter la vitesse du ventilateur pour augmenter le taux de combustion. 6. Veuillez communiquer avec le fabricant pour assistance.

DÉPANNAGE (SUITE)

SYMPTÔME	CAUSE	SOLUTION
La combustion s'arrête et le poêle interrompt son fonctionnement.	La trémie est vide.	Ajouter des grenailles dans la trémie.
	La tarière est coincée, obstruée ou déconnectée.	<ol style="list-style-type: none"> 1. Débrancher l'unité de sorte qu'il ne se produise pas de démarrage inattendu et dégager le blocage de la tarière. 2. Vérifier que la tarière ne soit pas bloquée. Si c'est le cas, dégager le produit causant le coincement. 3. S'assurer que la vis de fixation de la tarière au moteur est bien serrée.
	La vitesse d'alimentation n'est pas suffisante pour soutenir ce taux de combustion.	<ol style="list-style-type: none"> 1. Diminuer la vitesse du ventilateur pour diminuer le taux de combustion.
	Le thermostat de température de 30 °C s'est déclenché.	<ol style="list-style-type: none"> 1. S'assurer que les fils du thermostat sont bien connectés. 2. Remplacer le thermostat de 30 °C.
La combustion s'arrête et le poêle interrompt son fonctionnement (suite).	La température réglée a été atteinte.	Ceci est le fonctionnement normal du mode ECO. Le poêle se remettra automatiquement en fonction lorsque la température de la pièce descendra en-dessous de la demande programmée.
Le ventilateur de circulation d'air demeure en fonction après que le poêle a cessé de chauffer et se soit refroidi.	Le thermostat de température de 30 °C s'est déclenché.	<ol style="list-style-type: none"> 1. S'assurer que les fils du thermostat sont bien connectés. 2. Remplacer le thermostat de 30 °C.
Le poêle fournit un volume trop faible d'air insuffisamment chauffé.	Le combustible est inadéquat.	Utiliser des grenailles spécifiées dans le présent manuel.
	La vitesse du ventilateur de circulation d'air chaud est à un réglage trop bas ou le fonctionnement du ventilateur est compromis.	<ol style="list-style-type: none"> 1. Si le ventilateur est défectueux, remplacer le ventilateur. 2. Si la carte de commande du ventilateur est défectueuse, remplacer la carte.
	Les tubes de l'échangeur de chaleur sont sales.	Nettoyer les tubes de l'échangeur de chaleur.

SCHÉMA DE CÂBLAGE

REMARQUE : SI DES FILS QUELCONQUES DOIVENT ÊTRE REMPLACÉS ILS DEVRONT CORRESPONDRE AUX SPÉCIFICATIONS DE CÂBLAGE ORIGINAL DE TEMPÉRATURE NOMINALE DE 105 C AVEC ISOLANT DE CLASSE DE 600 V



PIÈCES DE SERVICE MODÈLE H80XL

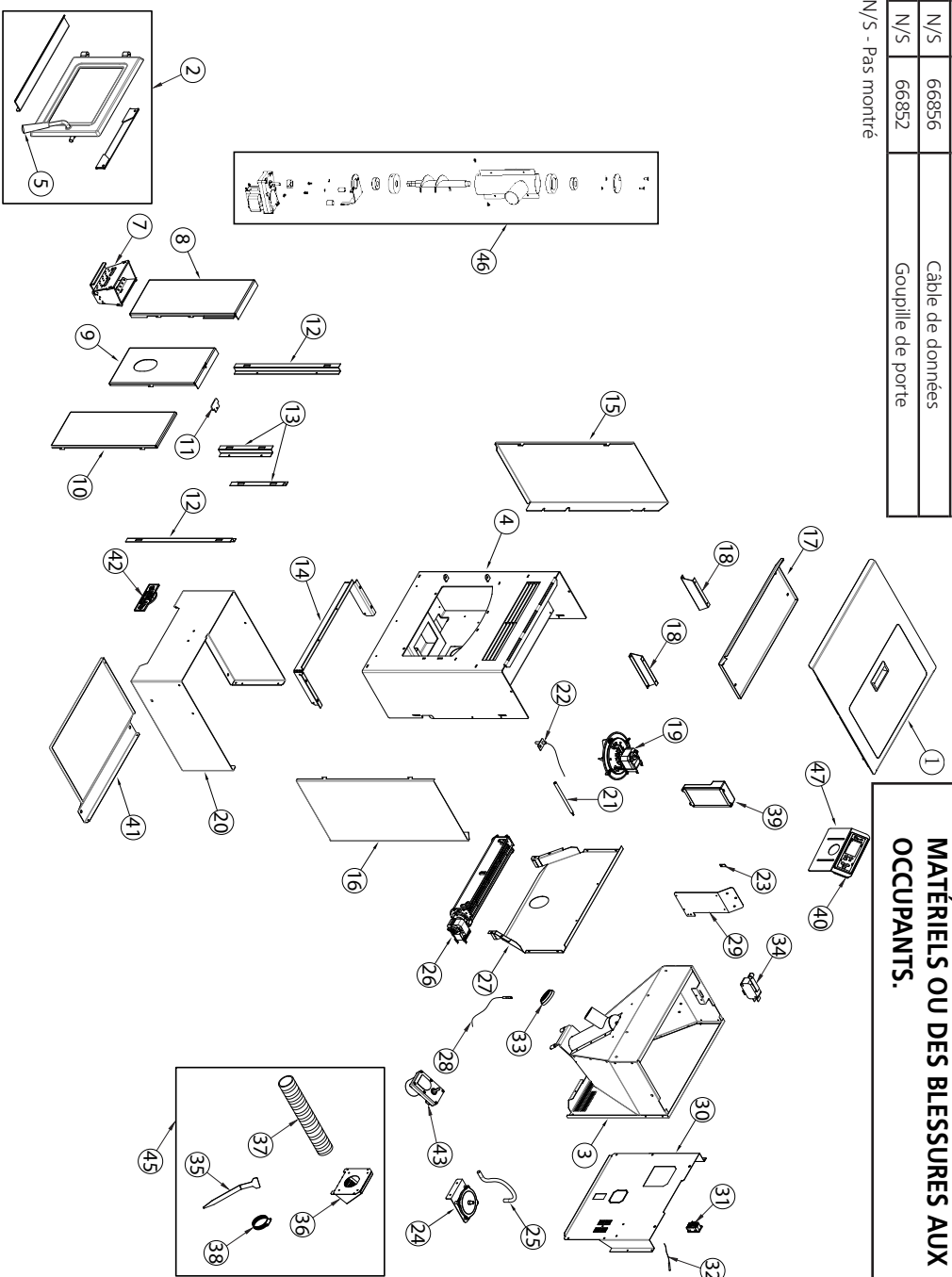
N°	N° de pièce	DESCRIPTION
1	66623	Le couvercle supérieur
2	66624	Porte assemblée
3	n / a	Hopper
4	n / a	Corps principal
5	66603	Poignée de porte
7	66625	Pot de feu
8	66931	Conseil de combustion - gauche
9	66933	Conseil de combustion au milieu
10	66932	Panneau De Conduit De Droite
11	n / a	Plaque de cheminée supérieure
12	n / a	Conduit de fumée plaque longue
13	n / a	Conduit de cheminée fixe court
14	n / a	Piédestal plaque fixe
15	66736	Panneau latéral gauche
16	66737	Panneau latéral droit
17	n / a	Plaque d'isolation thermique
18	n / a	Plaque de support d'isolation
19	66607	Souffleur à combustion
20	n / a	Plaque de piédestal
21	66608	Allumeur
22	66609	Capteur d'échappement
23	n / a	Vis de fixation
24	66628	Commutateur de vide
25	66629	Tube de silicone de commutateur de vide
26	66630	Ventilateur de circulation
27	n / a	Couverture d'isolation de chambre
28	66613	Capteur de sécurité de la trémie
29	n / a	Plaque fixe de la carte mère
30	66631	Capot arrière
31	66615	Prise de courant
32	66616	Capteur de pièce
33	66622	Joint détaché en caoutchouc silicone
34	66617	Commutateur de couvercle de trémie
35	66855	Outil de nettoyage (voir n. 45)
36	n / a	Ventilation d'admission d'air frais (voir n. 45)
37	n / a	Tube d'expansion en aluminium (voir n. 45)
38	n / a	Pince (voir n. 45)
39	66618	Carte mère
40	66619	Panneau d'affichage

N°	N° de pièce	DESCRIPTION
41	n / a	Plaque intérieure de piédestal
42	n / a	Plaque signalétique
43	66621	Moteur de tarrière
44	66658	Télécommande (non illustrée)
45	66659	Kit d'accessoires
46	66660	Assemblée de la tarrière
47	66850	Support de panneau d'affichage
N/S	66854	Cordon d'alimentation
N/S	66856	Câble de données
N/S	66852	Goupille de porte

N/S - Pas montré

REMARQUE : LES PIÈCES NE SONT PAS TOUTES EN MAGASIN. POUR TOUTE QUESTION, COMMUNIQUEZ AVEC LE FABRICANT.

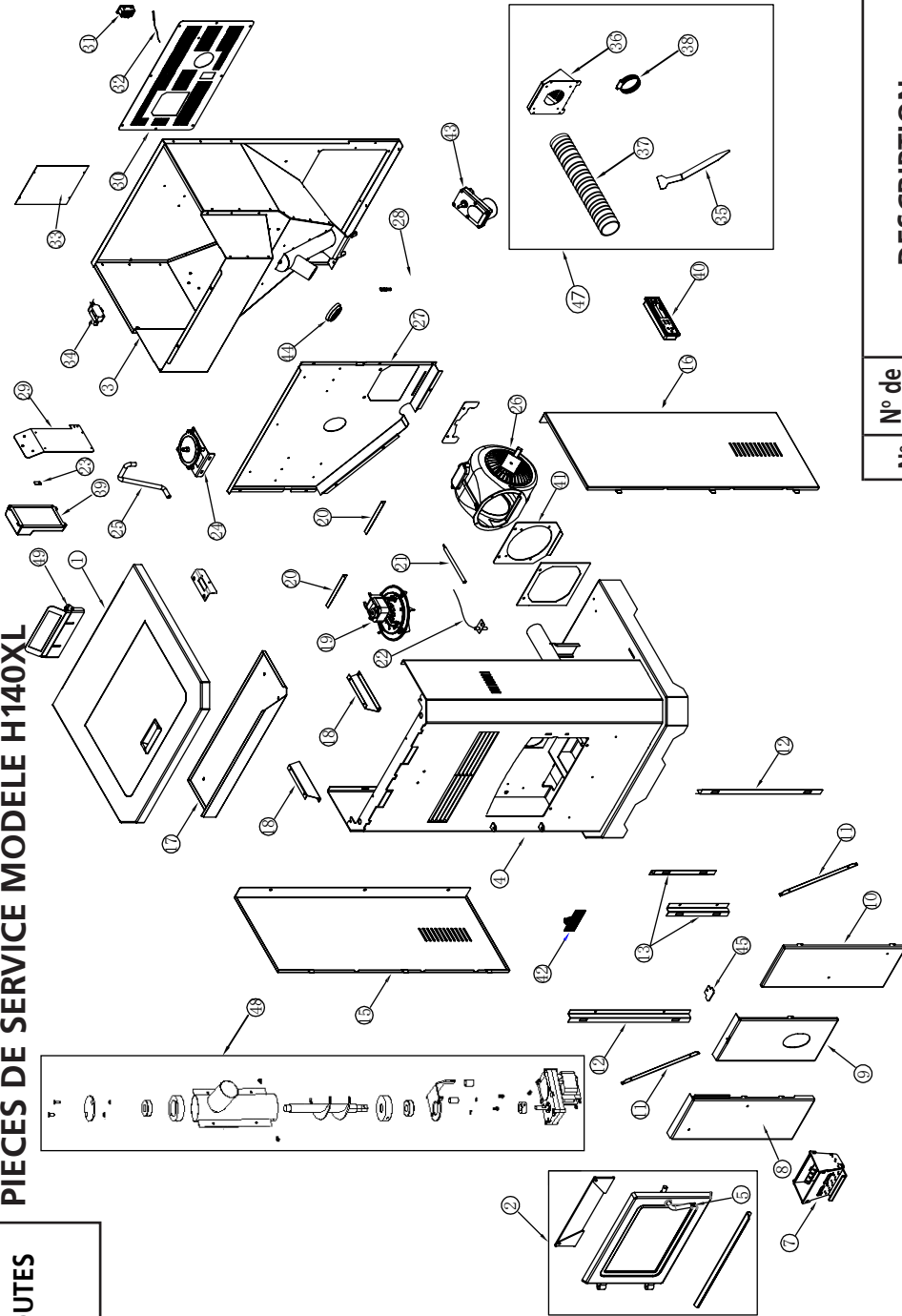
⚠ AVERTISSEMENT : NE PAS POSITIONNER LES PIÈCES SELON CES SCHEMAS OU NE PAS UTILISER EXCLUSIVEMENT LES PIÈCES SPÉCIFIQUEMENT APPRUVÉES POUR CE POÊLE POURRAIT RÉSULTER EN DES DOMMAGES MATÉRIELS OU DES BLESSURES AUX OCCUPANTS.



PIÈCES DE SERVICE MODÈLE H140XL

REMARQUE : LES PIÈCES NE SONT PAS TOUTES EN MAGASIN. POUR TOUTE QUESTION, COMMUNIQUEZ AVEC LE FABRICANT.

AVERTISSEMENT : NE PAS POSITIONNER LES PIÈCES SELON CES SCHÉMAS OU NE PAS UTILISER EXCLUSIVEMENT LES PIÈCES SPÉCIFIQUEMENT APPROUVÉES POUR CE POÊLE POURRAIT RÉULTER EN DES DOMMAGES MATÉRIELS OU DES BLESSURES AUX OCCUPANTS.



N°	N° de pièce	DESCRIPTION
1	66601	Le couvercle supérieur
2	66602	Porte assemblée
3	n / a	Hopper
4	n / a	Corps principal
5	66603	Poignée de porte
7	66604	Pot de feu
8	66934	Conduit de fumée gauche
9	66862	Plaque De Conduit
10	66935	Conduit de fumée à droite
11	n / a	Renfort de la cheminée
12	n / a	Conduit de fumée plaque longue
13	n / a	Conduit de cheminée fixe court
15	66738	Panneau latéral gauche
16	66739	Panneau latéral droit
17	n / a	Panneau isolant thermique
18	n / a	Plaque de support d'isolation
19	66607	Souffleur à combustion
20	n / a	Plaque de renforcement
21	66608	Allumeur
22	66609	Captur d'échappement
23	n / a	Vis de terre
24	66610	Commutateur de vide
25	66611	Tube de silicone
26	66612	Ventilateur de circulation
27	n / a	Couverture d'isolation de chambre
28	66613	Captur de sécurité de la trémie

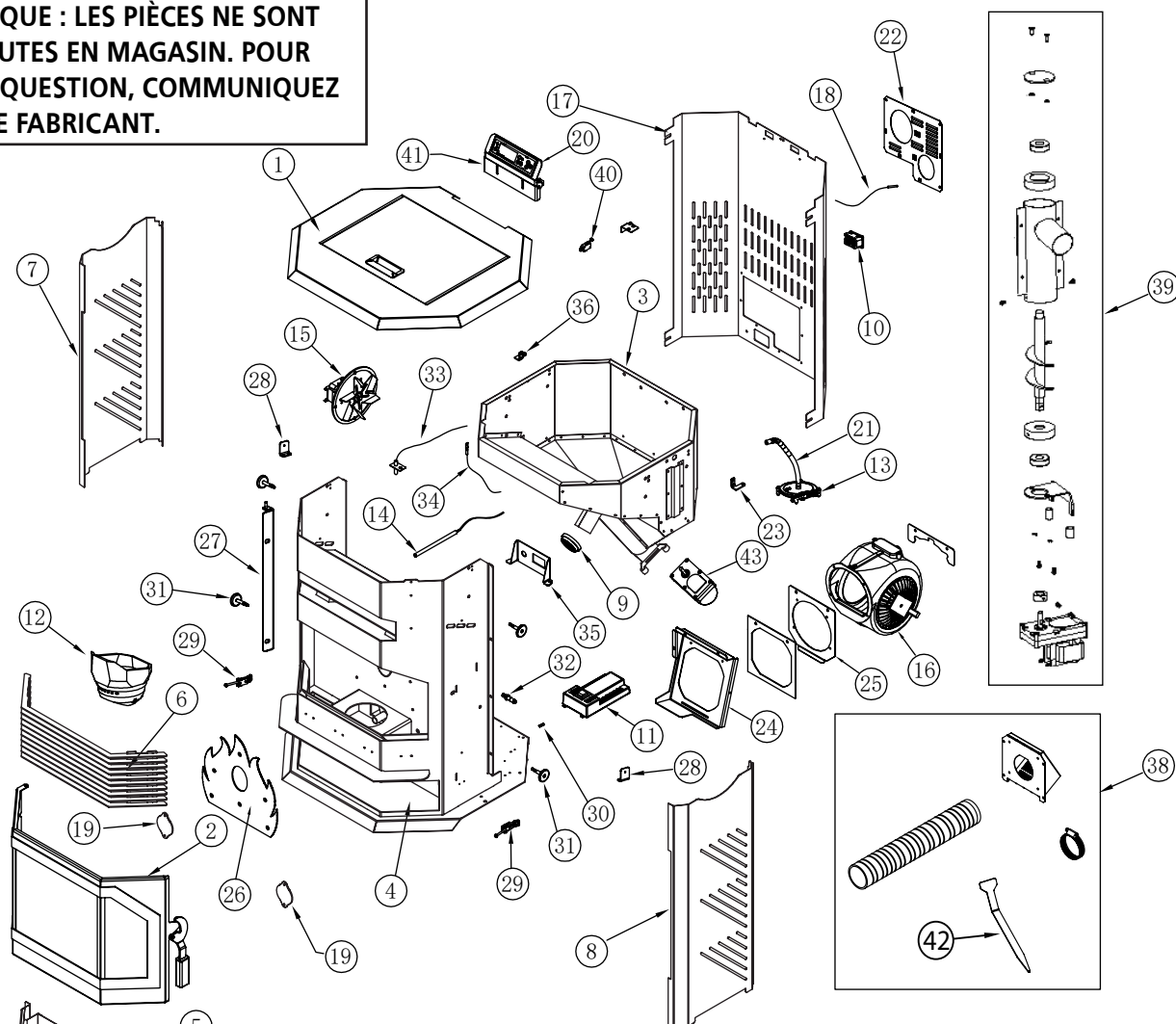
N°	N° de pièce	DESCRIPTION
29	n / a	Plaque fixe de la carte mère
30	66614	Capot arrière
31	66615	Prise de courant
32	66616	Captur de pièce
33	n / a	Étiquette de notation
34	66617	Commutateur de couvercle de trémie
35	66855	Outil de nettoyage (voir n 47)
36	n / a	Ventilation d'admission d'air frais (voir n 47)
37	n / a	Tube d'expansion en aluminium (voir n 47)
38	n / a	Pince (voir n 47)
39	66618	Carte mère
40	66619	Panneau d'affichage

N°	N° de pièce	DESCRIPTION
41	66620	Plaque fixe ventilateur
42	n / a	Plaque signalétique
43	66621	Moteur de tarrière
44	66622	Joint d'étanchéité en caoutchouc silicone
45	n / a	Plaque de cheminée supérieure
46	66658	Télécommande (non illustrée)
47	66659	Kit d'accessoires
48	66660	Assemblée de la vis
49	66850	Support de panneau d'affichage
N/S	66854	Cordon d'alimentation
N/S	66856	Câble de données
N/S	66852	Goupille de porte

N/S - Pas montré

PIÈCES DE SERVICE MODÈLE H3W80XL

REMARQUE : LES PIÈCES NE SONT PAS TOUTES EN MAGASIN. POUR TOUTE QUESTION, COMMUNIQUEZ AVEC LE FABRICANT.



⚠ AVERTISSEMENT : NE PAS POSITIONNER LES PIÈCES SELON CES SCHÉMAS OU NE PAS UTILISER EXCLUSIVEMENT LES PIÈCES SPÉCIFIQUEMENT APPROUVÉES POUR CE POËLE POURRAIT RÉsulTER EN DES DOMMAGES MATÉRIELS OU DES BLESSURES AUX OCCUPANTS.

N°	N° de pièce	DESCRIPTION
1	66632	Le couvercle supérieur
2	66633	Porte
3	n / a	Hopper
4	n / a	Corps principal
5	66634	Cendrier
6	n / a	Plaque décorative
7	66740	Panneau latéral gauche
8	66741	Panneau latéral droit
9	66622	Joint d'étanchéité en caoutchouc silicone
dix	66615	Prise de courant
11	66637	Carte mère
12	66638	Pot de feu
13	66639	Commutateur de vide
14	66640	Allumeur
15	66641	Souffleur à combustion
16	66612	Ventilateur de circulation
17	66742	Capot arrière

N°	N° de pièce	DESCRIPTION
18	66643	Captur de pièce
19	n / a	Plaque d'étanchéité
20	66644	Panneau d'affichage
21	66645	Tube de silicone de dispositif de pression
22	66646	Plaque d'étanchéité arrière
23	66647	Charnière de panneau latéral droit
24	66648	Support de soufflante
25	66620	Plaque fixe ventilateur
26	n / a	Plaque ignifuge
27	66649	Charnière de porte
28	66650	Couvercle Arrière Plaque Fixe
29	66651	Pièces de verrouillage pour cendrier
30	n / a	Vis de terre
31	66652	Aimant

N°	N° de pièce	DESCRIPTION
32	66653	Porte, loquet
33	66654	Captur d'échappement
34	66655	Captur de sécurité de la trémie
35	66656	Prise plaque fixe
36	66657	Charnière de panneau latéral gauche
37	66658	Télécommande (non illustrée)
38	66659	Kit d'accessoires
39	66660	Assemblée de la tarière
40	66617	Commutateur de couvercle de trémie
41	66850	Support de panneau d'affichage
42	66855	Outil de nettoyage (voir n 38)
43	66621	Moteur de tarière
N/S	66854	Cordon d'alimentation
N/S	66856	Câble de données
N/S	66859	Goupille de porte



GUIDE DU PROPRIÉTAIRE ET INSTRUCTIONS D'UTILISATION

N° de modèle
H80XL
H140XL
H3W80XL

LIRE LES INSTRUCTIONS ATTENTIVEMENT : Veuillez lire le présent manuel au complet avant d'installer et d'utiliser ce poêle à grenailles de bois. Ne pas suivre les directives comprises pourrait résulter en des dommages matériels ou des blessures graves, voire la mort. Ne pas laisser quiconque qui n'a pas lu les instructions du présent manuel assembler, allumer, régler ou faire fonctionner le poêle. Remiser ce manuel dans un endroit sûr pour référence ultérieure.

AVERTISSEMENT :

N'UTILISER QUE LES PIÈCES DE REMPLACEMENT DU FABRICANT. L'UTILISATION DE TOUTE AUTRE PIÈCE POURRAIT CAUSER DES BLESSURES OU LE DÉCÈS DE PERSONNES. LES PIÈCES DE REMPLACEMENTS SONT SEULEMENT DISPONIBLES DIRECTEMENT DE LA MANUFACTURE ET DOIVENT ÊTRE INSTALLÉES PAR UNE AGENCE DE SERVICE QUALIFIÉE.

RENSEIGNEMENTS POUR COMMANDES DE PIÈCES :

ACHAT : LES ACCESSOIRES PEUVENT ÊTRE ACHETÉS EN TOUT TEMPS DE TOUT DÉPOSITAIRE MASTER FORGE LOCAL OU DIRECTEMENT DE LA MANUFACTURE.

POUR RENSEIGNEMENTS CONCERNANT LE SERVICE :

Veuillez composer le numéro sans frais 1-833-950-1184

Nos heures d'ouverture sont de 8:00 h à 17:00 h HNE du lundi au vendredi.

Dans toutes les communications, veuillez indiquer le numéro de modèle, la date d'achat et une description du problème.

GARANTIE LIMITÉE :

Enerco Group, Inc. (EGI) garantit les poêles à grenailles de bois Master Forge être libres de défauts de matériaux et de main-d'œuvre au moment de la livraison. Après l'installation, si des composants couverts sont trouvés présenter des défauts de matériau ou de main-d'œuvre durant la période de couverture applicable, alors la Société, à sa propre option, réparera ou remplacera les produits retournés par l'acheteur à l'atelier, tous frais de transport payés d'avance, durant la période de garantie applicable, les pièces trouvées défectueuses. La période de garantie des composants couverts est définie dans le tableau suivant :

Composants couverts	Période de garantie (pièce seulement, main-d'œuvre non comprise)
Électriques	1 an
Pièces métalliques (excluant le pot de combustion)	5 ans

Si une pièce est endommagée ou manquante, appelez notre Service de soutien technique au 1-833-950-1184.

Adresser toute demande de compensation de garantie à : Service Department, Enerco Group, Inc., 4560 W. 160TH ST., CLEVELAND, OHIO 44135 U.S.A. Indiquez votre nom, adresse et numéro de téléphone, le numéro de modèle et le numéro de série de votre produit et décrivez les détails concernant la demande de compensation. Veuillez également nous indiquer la date d'achat ainsi que les nom et adresse du dépositaire où vous avez acheté votre produit.

Ce qui suit est la description complète de la responsabilité de la Société. Aucune autre garantie explicite ou implicite n'est applicable. Particulièrement, aucune garantie de concordance spécifique à une application ne s'applique ainsi que toute garantie de commercialité. En aucun cas la Société ne sera responsable de délais dus à des imperfections ou dommages de conséquence ainsi que pour des frais de toute nature sauf si consentis par écrit. Les réparations ou remplacements seront le remède exclusif pour tout bris de garantie. Il n'y a pas de garantie contre les infractions de droits ou de garantie implicite de ressortissants d'affaires. La présente garantie ne s'appliquera à aucun produit qui a été réparé ou modifié hors de l'usine sous tout aspect qui selon notre opinion affecte la condition de fonctionnement. La présente garantie ne couvre pas les dommages ou bris dus à un mauvais usage, abus d'utilisation ou modifications. La garantie ne couvre pas la peinture de finition, les vitres, joints d'étanchéité ou les briques réfractaires. La garantie ne couvre pas le pot de combustion. La garantie ne couvre aucun dommage de corrosion.

Certains États/provinces ne permettent pas l'exclusion ou la limite de dommages accessoires ou indirects, alors les exclusions ou limitations ci-dessus pourraient ne pas s'appliquer dans votre cas. La présente garantie vous donne des droits juridiques particuliers et d'autres droits, variables d'un état/province à l'autre, pourraient s'appliquer.

Enerco Group Inc. se réserve le droit d'apporter des modifications sur les couleurs, spécifications, accessoires, matériaux et modèles en tout temps sans préavis ou obligation.

ENERCO GROUP, INC., 4560 W. 160TH ST., CLEVELAND, OHIO 44135
© 2024, Enerco Group. Tous droits réservés

Brevet Américain en Instance



Report Number : F23-240
ASTM E1509-22
CAN/ULC-S627:2023

INSTALLER: Leave this manual with the appliance.

CONSUMER: Save these Instructions for future reference.

OPERATING INSTRUCTIONS AND OWNER'S MANUAL

Model #
C60WTS, H60WTS,
J60WTS, PS60WTS,
C130WTS, H130WTS,
J130WTS, PS130WTS,
CBF66WTS, HBF66WTS,
JBF66WTS, PSBF66WTS

READ INSTRUCTIONS CAREFULLY: Please read this entire manual before installation and use of this pellet fuel-burning room heater. Failure to follow these instructions could result in property damage, bodily injury or even death. Do not allow anyone who has not read these instructions to assemble, light, adjust or operate the stove. Place instructions in a safe place for future reference.

WOOD PELLET FIRE STOVE



C60WTS, H60WTS, J60WTS, PS60WTS



CBF66WTS, HBF66WTS, JBF66WTS, PSBF66WTS



C130WTS, H130WTS, J130WTS, PS130WTS



Apple Store



Google Play Store

THE AUTHORITY HAVING JURISDICTION (SUCH AS MUNICIPAL BUILDING DEPARTMENT, FIRE DEPARTMENT, FIRE PREVENTION BUREAU, ETC.) SHOULD BE CONSULTED BEFORE INSTALLATION TO DETERMINE ANY NEED TO OBTAIN A PERMIT. OBSERVE ALL LOCAL BUILDING CODES.

Mr. Heater a subsidiary of Enerco Group Inc.

4560 West 160th st Cleveland, Ohio 44135 1-866-740-2497/1-800-251-0001

xxxxx

GENERAL HAZARD WARNING:

⚠ FAILURE TO COMPLY WITH THE PRECAUTIONS AND INSTRUCTIONS PROVIDED WITH THIS STOVE CAN RESULT IN DEATH, SERIOUS BODILY INJURY AND PROPERTY LOSS OR DAMAGE FROM HAZARDS OF FIRE, EXPLOSION, BURN, ASPHYXIATION, CARBON MONOXIDE POISONING, AND/OR ELECTRICAL SHOCK.

⚠ ONLY PERSONS WHO CAN UNDERSTAND AND FOLLOW THE INSTRUCTIONS SHOULD USE OR SERVICE THIS STOVE.

⚠ IF YOU NEED ASSISTANCE OR STOVE INFORMATION SUCH AS AN INSTRUCTIONS MANUAL, LABELS, ETC. CONTACT THE MANUFACTURER.

WARNING:

⚠ FIRE, BURN, INHALATION, AND EXPLOSION HAZARD. KEEP SOLID COMBUSTIBLES, SUCH AS BUILDING MATERIALS, PAPER OR CARDBOARD, A SAFE DISTANCE AWAY FROM THE STOVE AS RECOMMENDED BY THE INSTRUCTIONS NEVER USE THE STOVE IN SPACES WHICH DO OR MAY CONTAIN VOLATILE OR AIRBORNE COMBUSTIBLES, OR PRODUCTS SUCH AS GASOLINE, SOLVENTS, PAINT THINNER, DUST PARTICLES OR UNKNOWN CHEMICALS.

⚠ **WARNING:** This product can expose you to chemicals including lead and lead compounds, which are known to the State of California to cause cancer and birth defects or other reproductive harm. For more information visit www.P65Warnings.ca.gov

Contents

SPECIFICATIONS.....3

GETTING STARTED.....4

SAFETY PRECAUTIONS.....5

CLEARANCE TO COMBUSTIBLES.....6

UNPACKING & ASSEMBLY.....7

INSTALLATION.....8

ADDITIONAL MOBILE HOME REQUIREMENTS.... 12

OPERATION..... 14

SMART STOVE WIFI CONNECTION..... 16

WIFI CONTROLS..... 17

MULTI FUNCTION CONTROLS..... 18

MAINTENANCE..... 19

CLEANING SCHEDULE..... 22

TROUBLESHOOTING..... 25

WIRING DIAGRAM..... 28

SERVICE PARTS..... 29

FCC INFORMATION

CAUTION: Changes or modifications not expressly approved by the party responsible for compliance could void the user’s authority to operate the equipment.

NOTE: This equipment has been tested and found to comply with the limits for a Class B digital device, pursuant to part 15 of the FCC Rules. These limits are designed to provide reasonable protection against harmful interference in a residential installation. This equipment generates, uses and can radiate radio frequency energy and, if not installed and used in accordance with the instructions, may cause harmful interference to radio communications. However, there is no guarantee that interference will not occur in a particular installation. If this equipment does cause harmful interference to radio or television reception, which can be determined by turning the equipment off and on, the user is encouraged to try to correct the interference by one or more of the following measures:

- Reorient or relocate the receiving antenna.
- Increase the separation between the equipment and receiver.
- Connect the equipment into an outlet on a circuit different from that to which the receiver is connected.
- Consult the dealer or an experienced radio/TV technician for help.

SPECIFICATIONS

Model #	N60WTS	N130WTS	NBF66WTS
DIMENSIONS			
Stove Weight [LBS (kg)]	194 (88)	231 (105)	258 (117)
Stove Dimensions LxWxH [in (cm)]	21.7" x 22" x 33.1" (55.2 x 56 x 84)	26.1" x 22.9" x 36.5" (66.2 x 58.2 x 92.8)	26.2" x 24" x 30.4" (66.5 x 61 x 77.3)
Air Inlet Pipe Diameter [in (mm)]	2" (50)	2" (50)	2" (50)
Air Outlet Pipe Diameter [in (mm)]	3" (76)	3" (76)	3" (76)
Pellet Hopper Capacity [LBS (kg)]	60 (27.2)	130 (59.0)	66 (29.9)
OPERATION SPECIFICATIONS			
Fuel	Wood Pellet	Wood Pellet	Wood Pellet
Heats approximately ** [ft ² (m ²)]	1500 - 2200 (139 - 204)	2000 - 3000 (186 - 279)	1800 - 2500 (167 - 232)
Carbon Monoxide Produced (g/min)	0.32 on High 0.18 on Low	0.20 on High 0.36 on Low	0.11 on High 0.21 on Low
Pellet Consumption Rate Low [LBS/HR (kg/HR)]	1.59 (0.72 - Dry)	1.98 (0.90 - Dry)	1.74 (0.79 - Dry)
Pellet Consumption Rate Medium [LBS/HR (kg/HR)]	2.03 (0.92 - Dry)	2.82 (1.28 - Dry)	2.36 (1.07 - Dry)
Pellet Consumption Rate High [LBS/HR (kg/HR)]	4.37 (1.98 - Dry)	4.83 (2.19 - Dry)	4.67 (2.12 - Dry)
Stove Efficiency	84%	77%	80%
Heat Output Rate Low [BTU/HR (kW)]	10,771 (3.16)	12,746 (3.74)	11,624 (3.41)
Heat Output Rate Medium [BTU/HR (kW)]	13,910 (4.08)	18,088 (5.30)	15,511 (4.55)
Heat Output Rate High [BTU/HR (kW)]	30,124 (8.83)	29,501 (8.65)	30,173 (8.84)
ELECTRICAL SPECIFICATIONS			
Electrical Supply Requirements [Voltage / Frequency / Phase]	120V / 60 Hz / Single	120V / 60 Hz / Single	120V / 60 Hz / Single
Electric Current During Lighting Phase [Amperes]	3.3	3.3	3.3
Auger Motor R.P.M.	2.4	2.4	2.4

This manual describes the installation and operation of the brand "Grand Teton" wood pellet fire stove. This stove meets the applicable U.S. Environmental Protection Agency's emission limits for pellet fired heaters sold after 2020. Under specific test conditions these stoves have been shown to deliver heat at rates ranging from:

N60WTS: 10,771 to 30,124 Btu/hr

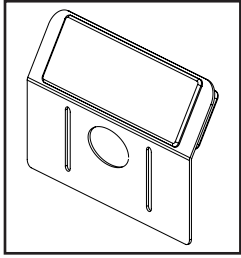
N130WTS: 12,746 to 29,501 Btu/hr

NBF66WTS: 11,624 to 30,173 Btu/hr

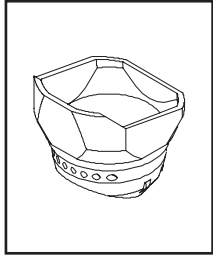
*BTU input/output will vary, depending on the brand of fuel you use in your Stove

** Depending on insulation rating of room and climate zone. Variations in climate and location affect attributes such as stove efficiency and CO produced.

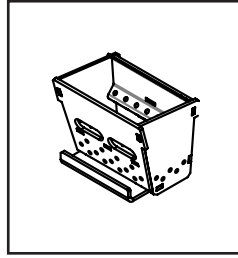
GETTING STARTED



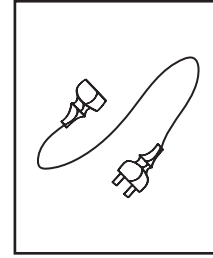
Display Panel



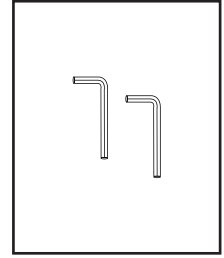
Firepot (NBF66WTS)



Firepot (N60WTS & N130WTS)

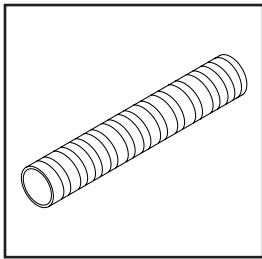


Main Power Cord

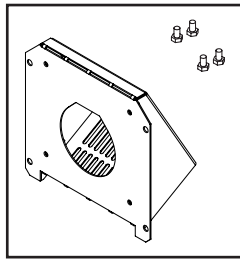


Allen Wrenches (x2)

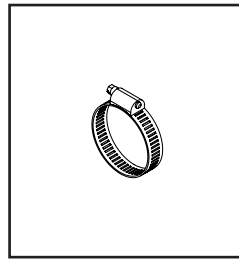
ACCESSORY KIT



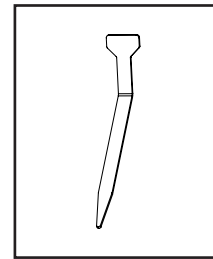
Flex Hose



Termination Cap and Screws (x4)



Hose Clamp



Cleaning Tool

WHAT YOU'LL NEED (NOT SUPPLIED)

TOOLS REQUIRED

- Tape Measure
- Phillips Screwdriver or Comparable Electric Screw Driver & Drill Bit.
- Stud Finder
- Plumb Bob
- Reciprocating Saw
- High Temperature Silicone or High Temperature Sealant or High Temperature Flue Tape
- Floor Protection (see "FLOORING SPACE" and "FLOORING MATERIAL" on page 6)
- Manufactured venting of 3" (80mm) in diameter of type "L" or "PL" which is listed to UL 641, ULC S609 (Standard for 650 C Factory-Built Chimneys), or ULC/ORD C441. Install per chimney manufacturer's instructions (see page 9)

SAFETY EQUIPMENT (RECOMMENDED)

- Safety Glasses
- Gloves
- Closed-toed Shoes
- A friend (the stove is heavy, do not attempt to move the stove without assistance)

⚠ WARNING

- **INGESTION HAZARD:** This product contains a button cell or coin battery.
- **DEATH** or serious injury can occur if ingested.
- A swallowed button cell or coin battery can cause **Internal Chemical Burns** in as little as **2 hours**.
- **KEEP** new and used batteries **OUT OF REACH** of **CHILDREN**
- **Seek immediate medical attention** if a battery is suspected to be swallowed or inserted inside any part of the body.



BATTERY INFORMATION

- This product contains a lithium button/coin cell battery. If a new or used lithium button/coin cell battery is swallowed or enters the body, it can cause severe internal burns and can lead to death in as little as 2 hours. Always completely secure the battery compartment. If the battery compartment does not close securely, stop using the product, remove the batteries, and keep it away from children. If you think batteries might have been swallowed or placed inside any part of the body, seek immediate medical attention. Call a local poison control center for treatment information.
- Remove and immediately recycle or dispose of used batteries according to local regulations and keep away from children. Do NOT dispose of batteries in household trash or incinerate. Even used batteries may cause severe injury or death.
- Non-rechargeable batteries are not to be recharged. Do not force discharge, recharge, disassemble, heat above (manufacturer's specified temperature rating) or incinerate. Doing so may result in injury due to venting, leakage or explosion resulting in chemical burns.
- Ensure the batteries are installed correctly according to polarity (+ and -). Do not mix old and new batteries, different brands or types of batteries, such as alkaline, carbon-zinc, or rechargeable batteries. Remove and immediately recycle or dispose of batteries from equipment not used for an extended period of time according to local regulations.

SAFETY PRECAUTIONS

HAVE AN ESTABLISHED PLAN FOR WHAT TO DO IN THE EVENT OF A FIRE. CONTACT YOUR LOCAL FIRE AUTHORITY TO ACQUIRE INFORMATION AND A PLAN FOR WHAT TO DO IN THE EVENT OF A CHIMNEY FIRE.

⚠ WARNING: DO NOT INSTALL IN SLEEPING ROOM.

⚠ CAUTION: HANDLE STOVE WITH CARE. AVOID STRIKING, SCRATCHING OR SLAMMING GLASS ASSEMBLIES. DO NOT OPERATE WITH CRACKED, BROKEN OR SCRATCHED GLASS.

⚠ WARNING: HOT WHILE IN OPERATION. KEEP CHILDREN, CLOTHING AND FURNITURE AWAY. CONTACT MAY CAUSE SKIN BURNS.

⚠ WARNING: NEVER LEAVE CHILDREN NEAR THE STOVE UNATTENDED WHILE THE STOVE IS OPERATING.

⚠ WARNING: DO NOT OVERFIRE. OVERFIRING THE APPLIANCE MAY CAUSE A FIRE. IF THE UNIT OR CHIMNEY CONNECTOR GLOWS, YOU ARE OVERFIRING.

⚠ WARNING: THIS WOOD HEATER HAS A MANUFACTURER-SET MINIMUM LOW BURN RATE THAT MUST NOT BE ALTERED. IT IS AGAINST FEDERAL REGULATIONS TO ALTER THIS SETTING OR OTHERWISE OPERATE THIS WOOD HEATER IN A MANNER INCONSISTENT WITH OPERATING INSTRUCTIONS IN THIS MANUAL.

CARBON MONOXIDE

WARNING:

⚠️ WHEN USED WITHOUT ADEQUATE COMBUSTION AND VENTILATION AIR, THIS STOVE MAY GIVE OFF EXCESSIVE CARBON MONOXIDE, AN ODORLESS, POISONOUS GAS.

WARNING:

⚠️ EARLY SIGNS OF CARBON MONOXIDE POISONING RESEMBLE THE FLU, WITH HEADACHE, DIZZINESS AND/OR NAUSEA. IF YOU HAVE THESE SIGNS, STOVE MAY NOT BE WORKING PROPERLY. GET FRESH AIR AT ONCE! HAVE STOVE SERVICED.

SOME PEOPLE - PREGNANT WOMEN, PERSONS WITH HEART OR LUNG DISEASE, ANEMIA, THOSE UNDER THE INFLUENCE OF ALCOHOL, THOSE AT HIGH ALTITUDES - ARE MORE AFFECTED BY CARBON MONOXIDE THAN OTHERS.

Regardless of how safe this stove is, every fuel burning appliance creates Carbon Monoxide. It is always a good plan to reduce risk to you and your loved ones as much as possible by installing a Carbon Monoxide detector. It is recommended to install monitors in areas that are expected to generate carbon monoxide such as heater fueling areas, pellet fuel bulk storage areas, or sheds containing hydronic heaters. Follow the installation, operation, & maintenance instructions provided by the manufacturer of your detector.

SMOKE DETECTORS

Have at least 1 smoke detector on each floor of your building. Follow the installation, operation, & maintenance instructions provided by the manufacturer of your detector. Avoid false alarms by placing the detector outside the immediate vicinity of the stove. Typically a good installation location for smoke detectors is near bedrooms.

FOR MORE SAFETY INFORMATION

For auxiliary information regarding pellet stove safety and operation information contact the National Fire Protection Association (NFPA) by mail at:

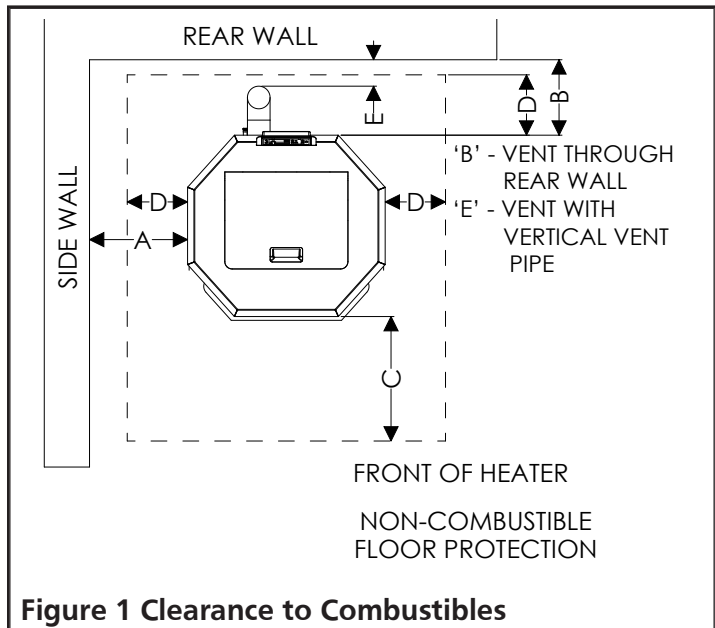
NFPA, Batterymarch Park, Quincy, MA 02269

or visit the NFPA website:

<https://www.nfpa.org/>

CLEARANCE TO COMBUSTIBLES

The following stated clearances represent the minimum distances between the stove and any other object. No objects should encroach into this space. This includes but is not limited to carpet, furniture, children, pets, clothing, fuel, or any other object. These clearances may only be reduced by means approved by the regulatory authority having jurisdiction.



	USA	CANADA
A	13" (330 mm)	13" (330 mm)
B	2" (51 mm)	2" (51 mm)
C	18" (457 mm)	18" (457 mm)
D	8" (203 mm)	8" (203 mm)
E	3" (76 mm)	3" (76 mm)

FLOORING SPACE & CLEARANCES

When installed on a combustible floor, non-combustible floor protection is required to:

- Cover the area beneath the stove and extend at least 18 inches (457 mm) to the front
- Cover the area at least 8 inches (203 mm) beyond each side of the room heater.
- Cover the area under the exhaust venting and 2 inches (50.8 mm) beyond each side.

Additionally, the wood pellet fire stove shall be positioned such that:

- It has at least 13" (330 mm) of clearance from the each side to the nearest body.

- It has at least 2" (51 mm) of clearance from the rear to the nearest body.
- Vertical runs of vent pipe must be at least 3" (76 mm) from any wall.

Finally, the area which the wood pellet fire stove is installed shall have a floor-to-ceiling distance of at least 84" (2134 mm).

FLOORING MATERIAL

Floor protection must be all of the following:

- Listed to UL 1618.
- At least 0.5" (13 mm) thick
- Constructed of non-combustible material.
- Have either:

Thermal resistance value R of $1.19 \frac{(\text{ft}^2)(\text{hr})(^\circ\text{F})}{\text{Btu}}$

Thermal conductivity value k of $0.84 \frac{(\text{Btu})(\text{inch})}{(\text{ft}^2)(\text{hr})(^\circ\text{F})}$

For assistance evaluating the suitability of substitute materials, the following equivalences of specifications and example below have been provided.

Thermal conductivity k = $\frac{\text{thickness}}{R} \left(\frac{(\text{Btu})(\text{inch})}{(\text{ft}^2)(\text{hr})(^\circ\text{F})} \text{ or } \frac{W}{(\text{m})(^\circ\text{K})} \right)$

Thermal conductance C = $\frac{1}{R} \left(\frac{(\text{Btu})}{(\text{ft}^2)(\text{hr})(^\circ\text{F})} \text{ or } \frac{W}{(\text{m}^2)(^\circ\text{K})} \right)$

Example: Required to protect floor with R value of $1.19 \frac{(\text{ft}^2)(\text{hr})(^\circ\text{F})}{\text{Btu}}$.

Evaluating merit of 2 inch (57 mm) thick brick with thermal conductivity k = $4.16 \frac{(\text{Btu})(\text{inch})}{(\text{ft}^2)(\text{hr})(^\circ\text{F})}$ on top of 1/2 inch (6.3 mm) thick mineral board that has C value of $2.3 \frac{(\text{Btu})}{(\text{ft}^2)(\text{hr})(^\circ\text{F})}$.

Step 1. Calculate the R value of each floor material

$$R_{\text{BRICK}} = \frac{\text{thickness}}{k} = \frac{2.25}{4.16} = 0.54$$

$$R_{\text{BOARD}} = \frac{1}{C} = \frac{1}{2.3} = 0.434$$

Step 2. Add the equivalent R values for each floor material

$$R_{\text{BRICK}} + R_{\text{BOARD}} = 0.54 + 0.434 = 0.974$$

Step 3. This combined R value is **insufficient** and so more protection must be provided. For example, by using 2 layers of bricks:

$$R_{\text{BRICK}} + R_{\text{BRICK}} + R_{\text{BOARD}} = 0.54 + 0.54 + 0.434 = 1.514$$

Step 4. Because this combined R value is larger than the specification, this is a sufficient method for protecting the floor area underneath the stove.

UNPACKING

1. Remove heater from carton.
2. Remove all protective packaging applied to heater for shipment.
3. Check heater for any shipping damage. If any damage is found immediately contact the manufacturer at 866-740-2497.

⚠ CAUTION: DAMAGED PARTS MAY COMPROMISE SAFE OPERATION.

- **DO NOT INSTALL INCOMPLETE COMPONENTS.**
- **DO NOT INSTALL SUBSTITUTE COMPONENTS.**
- **DO NOT INSTALL DAMAGED COMPONENTS.**

4. Some components are packaged unattached from the stove in order to ensure their safety during shipping. Please find the protective packaging, likely inside the stove door, to proceed with assembly.

ASSEMBLY

STEP 1 - Display Panel

Insert the display panel into the top and rear of the stove. Be sure that the display panel screen is facing towards the front of the stove. Secure the screen using two of the provided screws.

STEP 2 - Display Panel Power Cord

This cord should be wrapped up near the top of the stove. Insert free end into the back of the display panel (see figure 16 on page 15). This wire should already be connected to the stove's power board. This connection can be checked behind the access plate at the bottom and rear of stove.

STEP 3 - Main Power Cord

The main power cord attaches to the stove at the exposed socket in the rear of the stove. Once any necessary assembly of the display panel screen is complete, you may briefly plug your stove in and press red power button to ON to make sure that it functions properly before proceeding with installation. Turn OFF and unplug the stove once you confirm that the display panel works.

⚠ CAUTION: DO NOT LEAVE THE STOVE PLUGGED INTO ANY ELECTRICAL SUPPLY DURING ASSEMBLY OR INSTALLATION.

STEP 4 - Firepot

With the stove unplugged from any power supply, the firepot should be inserted into the stove so that it is securely positioned and also the hot surface igniter should be able to make physical contact with pellets that would be held in the firepot. See Figure 2 or 3.

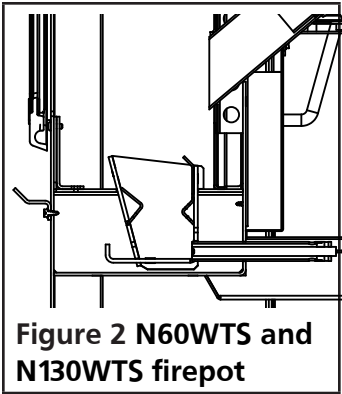


Figure 2 N60WTS and N130WTS firepot

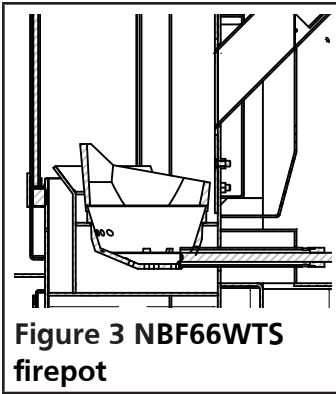


Figure 3 NBF66WTS firepot

A cleaning tool is also packaged which facilitates safely cleaning the firepot perforations of debris.

STEP 5 - Air Intake Kit

Locate the air intake kit packaged with the stove. See Figure 4. Take measurements of your space and plan for the installation of horizontal venting to the outside as may be required per recommendations in "FRESH AIR AND VENTILATION REQUIREMENTS 1" on page 9. Follow all ventilation requirements and guidelines specified in "INSTALLATION" on page 8.

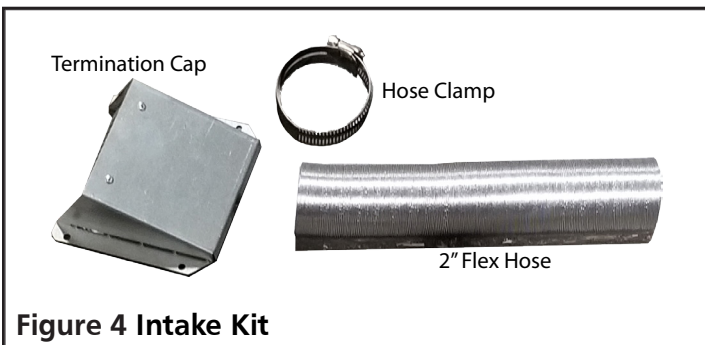


Figure 4 Intake Kit

Additional Assembly N60WTS, N130WTS

- The door handle: open the door, and screw the plastic grip onto the thread of the handle.



Figure 5 Door Handle

INSTALLATION

CONTACT INFORMATION

If you have any questions regarding ventilation options of your stove, contact either:

The manufacturer Mr. Heater Company at 1-866-740-2497/1-800-251-0001 • Weekends/After Hours 423-488-6316 • grandtetoncollection.com. Our office hours are 8:00 AM – 5:00 PM, EST, Monday through Friday.

The National Fire Protection Association (NFPA) and request a copy of the latest editions of NFPA Standard 211. The mailing address of the NFPA is Batterymarch Park, Quincy, MA 02269.

⚠ WARNING: WHEN THIS STOVE IS NOT PROPERLY INSTALLED, A HOUSE FIRE MAY RESULT. TO REDUCE THE RISK OF FIRE, FOLLOW THE INSTALLATION INSTRUCTIONS. CONTACT LOCAL BUILDING OR FIRE OFFICIALS ABOUT RESTRICTIONS AND INSTALLATION INSPECTION REQUIREMENTS IN YOUR AREA.

⚠ CAUTION: ANY DEVIATION OR ALTERATION FROM THESE INSTALLATION INSTRUCTIONS MAY RESULT IN DAMAGE TO YOU, THE STOVE, YOUR CHIMNEY, AND YOUR HOME. YOUR WARRANTY MAY BECOME VOID. READ AND FOLLOW ALL INSTRUCTIONS. Contact Mr. Heater with any comments, concerns, or questions.

⚠ CAUTION: CONTACT LOCAL BUILDING OR FIRE OFFICIALS ABOUT RESTRICTIONS AND INSTALLATION INSPECTION REQUIREMENTS IN YOUR AREA.

PLANNING

Make sure that you have selected the correct stove for your heating requirements by checking the specifications table on page 3.

Take measurements of your space and plan for your chimney system as detailed in the following instructions.

This stove may be installed for use in a mobile home. In addition to the following instructions, review and adhere to the mandatory requirements on page 12.

ELECTRICAL CONSIDERATIONS

The rear of the stove will need to be within power cord distance, which is roughly 80 inches (203 cm), of an electrical outlet. Lay the power cord out such that it will not come into contact with the stove's surface.

FRESH AIR AND VENTILATION REQUIREMENTS

When deciding the location of the stove ensure that the space will always have a source of fresh air available. Failure to do so may result in air starvation of other fuel burning appliances and the possible development of hazardous conditions.

Provision for outside combustion air may be necessary to ensure that fuel-burning appliances do not discharge products of combustion into the house. Guidelines to determine the need for additional combustion air may not be adequate for every situation. If in doubt, it is advisable to provide additional air. Outside combustion air may be required if these or other indications suggest that infiltration air is inadequate:

- The wood pellet fired stove does not draw steadily, experiences smoke roll-out, burns poorly, or back-drafts, whether or not there is combustion present.
- Existing fuel-fired equipment in the house, such as fireplaces or other heating appliances, smell, do not operate properly, suffer smoke roll-out when opened, or back-draft, whether or not there is combustion present.
- Any of the above symptoms are alleviated by opening a window slightly on a calm (windless) day.
- The house is equipped with a well-sealed vapor barrier and tight fitting windows and/or has any powered devices which exhaust house air.
- There is excessive condensation on windows in the winter.
- A ventilation system is installed in the house.

Additional combustion air may be directly provided from the outdoors to the wood pellet fired stove by using the included air intake kit to connect to the inlet at the bottom and rear of the stove. Any such installation must satisfy Clause 4 of CSA Standard B365.

⚠ CAUTION: NEVER DRAW OUTSIDE COMBUSTION AIR FROM:

- A WALL, FLOOR OR CEILING CAVITY.
- AN ENCLOSED SPACE SUCH AS AN ATTIC, GARAGE OR CRAWL SPACE.

⚠ CAUTION: IF USING AN AIR INTAKE CONNECTION THEN THE STOVE MUST BE INSTALLED SUCH THAT IT IS ATTACHED TO THE STRUCTURE.

ADDITIONAL VENTING REQUIREMENTS

A minimum 6 feet of total vent pipe (not including elbows) must be utilized.

- Use 3" vent pipe for the entire system OR a 4"/6" adapter may be used on the exhaust immediately as it leaves the stove.
- If the system is above 16 feet, use 4" vent pipe.
- Minimum amount of vertical pipe is 4 feet and a 45 degree / vent cap is required at venting termination.

IMPORTANT: Silicone seal must be added between the double walls of the terminal pipe.

CONNECTOR REQUIREMENTS AND ASSEMBLY

⚠ CAUTION: A CHIMNEY CONNECTOR SHALL NOT PASS THROUGH AN ATTIC OR ROOF SPACE, CLOSET OR SIMILAR CONCEALED SPACE, OR A FLOOR, OR CEILING. WHERE PASSAGE THROUGH A WALL, OR PARTITION OF COMBUSTIBLE CONSTRUCTION IS DESIRED, THE INSTALLATION SHALL CONFORM TO CAN/CSA-B365, INSTALLATION CODE FOR SOLID-FUEL-BURNING APPLIANCES AND EQUIPMENT

Any connector pipes or elbows should be installed with the crimped end on the stove end of the path (not the chimney cap end) and should be secured with three evenly spaced sheet metal screws.

Connectors, elbows, and chimneys should be type 'L' or 'PL' and have a 80mm, or 3 inch diameter as the flue system is based on negative pressure in the combustion chamber and a slight overpressure on the flue gas outlet. It is therefore important that the flue gas connection is fitted correctly and is airtight. It is recommended that connectors, elbows, and chimneys be at least 24 gauge, double walled, type B ventilation.

Note that bends in the exhaust path restricts air flow, reducing performance and provides a collection point for ash deposits requiring more frequent cleaning.

⚠ CAUTION: THE JOINTS OF ANY AND ALL CONNECTIONS FOR ANY VENTILATION SYSTEMS (COMBUSTION EXHAUST AND OPTIONAL INLET AIR DUCT) MUST BE SEALED WITH HIGH TEMPERATURE SILICONE.

GENERAL VENTING REQUIREMENTS

⚠ CAUTION: DO NOT CONNECT TO ANY AIR DISTRIBUTION DUCT OR SYSTEM.

⚠ CAUTION: DO NOT CONNECT THIS UNIT TO A CHIMNEY FLUE SERVING ANOTHER APPLIANCE.

⚠ CAUTION: DO NOT INSTALL A FLUE DAMPER IN THE EXHAUST VENTING SYSTEM OF THIS WOOD PELLET FIRED STOVE.

⚠ CAUTION: DO NOT INSTALL IN ANY FIREPLACE.

This wood pellet fire stove must be connected to either of the following:

- Class A listed chimney complying with the requirements for Type HT chimneys in the Standard for Chimneys, Factory-Built, Residential Type and Building Heating Appliance, UL 103.
- A International Conference of Building Officials (ICBO) standards for solid fuel Stoves code-approved masonry chimney.

VENT TERMINATION

- Install exhaust vent at clearances specified by the vent manufacturer.
- Install exhaust vent terminations at clearances specified by the vent manufacturer.
- If using the air intake kit, ensure that there is at least 12 inches clearance between the exhaust vent termination and the intake air inlet.
- It is recommended to keep at least 12" (30.5 cm) of clearance between any vent termination and windows, doors, or outside corners.

- Use silicone to create an effective vapor barrier at the location where the chimney or other component penetrates to the exterior of the structure.
- For additional requirements check local codes.

Any vertically terminated chimney systems must meet the following minimum requirements:

- Must be at least 15 feet (4.6 m) tall, measured from the top of the stove to the tip of the chimney cap.
- Must be at least 3 feet above the roof, measured from the highest point of contact with the roof and the tip of the chimney cap.
- Must be at least 2 feet (61 cm) above the highest point of the slope of the roof within 10 feet (305 cm) horizontally.

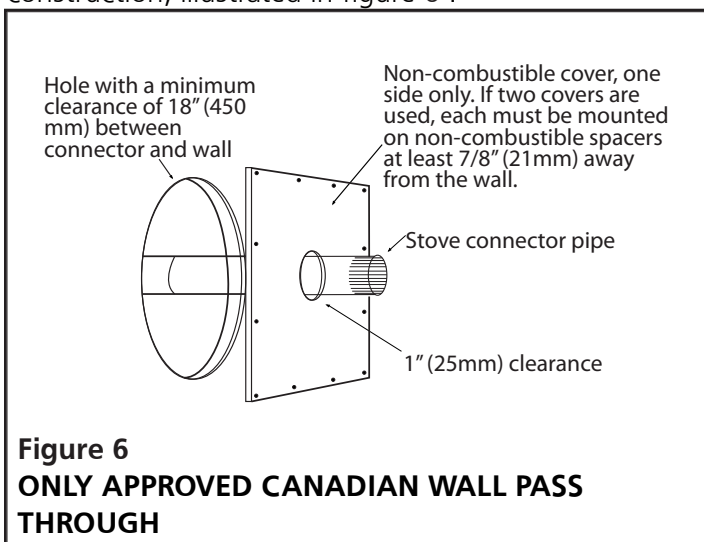
Any horizontally terminated chimney systems must meet the following minimum requirements:

- Must have at least 12" (30.5 cm) clearance above grade, veranda porch, deck or balcony (including vegetation and mulch).

PASSING THROUGH A WALL

Where passage through a wall or partition of combustible construction is desired, the installation shall conform to chimney manufacturer's instructions.

NOTE: In Canada, installation must conform to CAN/CSA-B365 when passing through combustible construction, illustrated in figure 6 .



NFPA 211 (US ONLY) APPROVED WALL PASS THROUGH TECHNIQUES

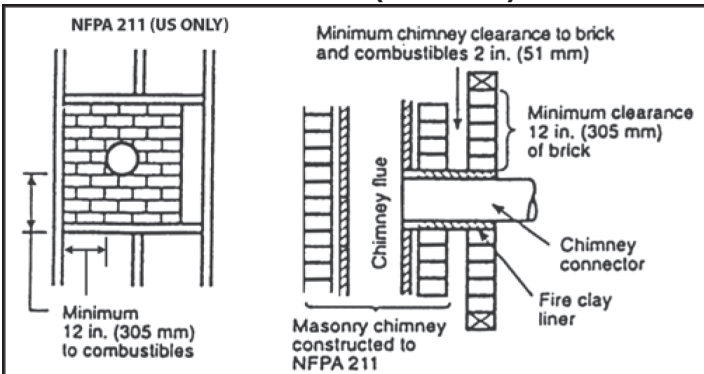


Figure 7 (US ONLY)

Brick Masonry: Minimum 3.5 inch (89 mm) thick brick masonry all framed into combustible wall with a minimum of 12 inch (305 mm) brick separation from clay liner to combustibles. The fireclay liner shall run from outer surface of brick wall to, but not beyond, the inner surface of chimney flue liner and shall be firmly cemented in place.

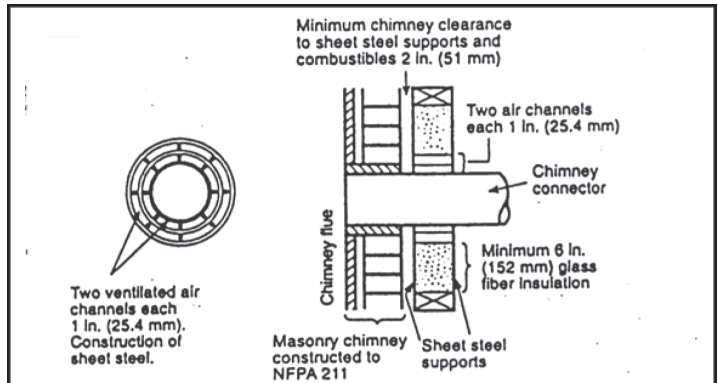


Figure 9 (US ONLY)

Ventilated Thimble: Sheet steel chimney connector, minimum 24 gauge in thickness, with a ventilated thimble, minimum 24 gauge in thickness, having two 1 inch (25.4 mm) air channels, separated from combustibles by a minimum of 6 inches (152 mm) of glass fiber insulation. Opening shall be covered, and thimble supported with a sheet steel support, minimum 24 gauge in thickness.

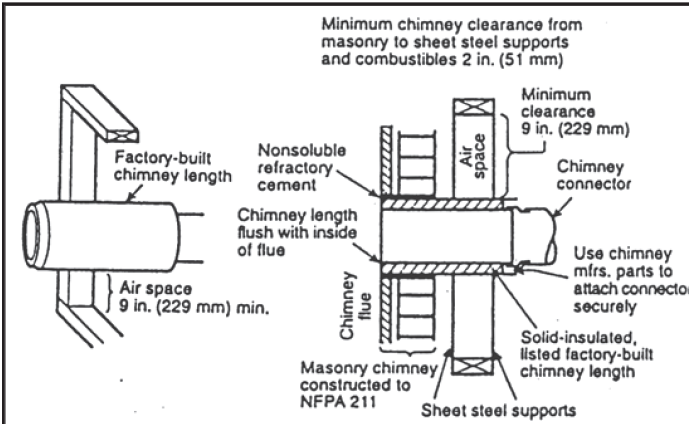


Figure 8 (US ONLY)

Insulated Sleeve: Solid-insulated, listed factory-built chimney length of the same inside diameter as the chimney connector and having 1 inch (25.4 mm) or more of insulation with a minimum 9 inch (229 mm) air space between the outer wall of the chimney length and combustibles.

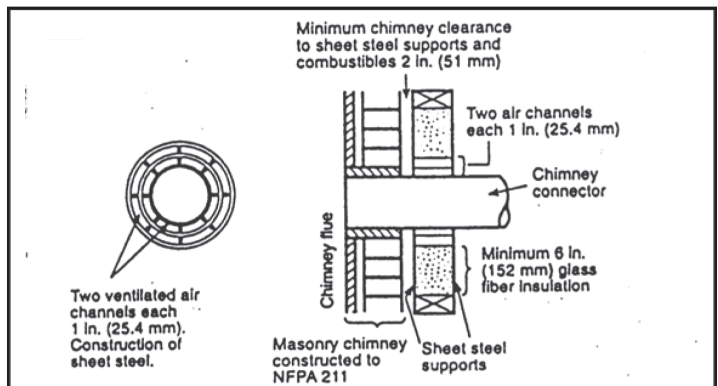


Figure 10 (US ONLY)

Chimney Section Pass-through: Solid insulated, listed factory-built chimney length with an inside diameter 2 inches (51 mm) larger than the chimney connector and having 1 inch (25.4 mm) or more of insulation, serving as a pass-through for a single wall sheet steel chimney connector of minimum 24 gauge thickness, with a minimum 2 inches (51 mm) of air space between the outer wall of chimney section and combustibles. Minimum length of chimney section shall be 12 inches (305 mm) chimney section spaced 1 inch (25.4 mm) away from connector using sheet steel support plates on both ends of chimney section. Opening shall be covered, and chimney section supported on both sides with sheet steel support securely fastened to wall surfaces of minimum 24 gauge thickness. Fasteners used to secure chimney section shall not penetrate chimney flue liner.

ADDITIONAL MOBILE HOME REQUIREMENTS

⚠ WARNING: DO NOT INSTALL IN SLEEPING ROOM.

PARTS & MATERIALS REQUIRED (NOT SUPPLIED)

- A 80mm diameter chimney which complies to UL 103, Standard for Factory-Built Chimneys for Residential Type and Building Heating Appliances.
- Ceiling thimble suitable for use in mobile home.
- Roof thimble suitable for use in mobile home.
- Spark arrestor suitable for use in mobile home.
- Roof flashing suitable for use in mobile home.

ADDITIONAL INSTALLATION REQUIREMENTS

- The chimney shall attach directly to the room heater and shall extend at least 3 feet (0.9 m) above the part of the roof through which it passes.
- The top of the chimney is to be at least 2 feet (0.6 m) above the highest required elevation of any part of the mobile home within 10 feet (3 m) of the chimney.
- All roof-chimney terminations shall be able to be readily removed at or below an elevation of 13½ feet (4.1 m) above ground level and reinstalled without the use of special tools or instructions.
- The chimney assembly shall be provided with a mechanical securement means to secure the chimney to the ceiling support box.
- Chimney Guard Requirements:
 - When the chimney exits the mobile home at a location other than through the roof, and exits at a point 7 feet (2.1 m) or less above the ground level on which the mobile home is positioned, a guard or method of enclosing the chimney shall be provided at the point of exit for a height up to 7 feet.
 - The chimney guard shall not have any openings large enough that a 3/4 inch diameter rod can enter.
 - The chimney guard shall not have any openings large enough that a 1/2 inch diameter rod can enter beyond 4 inches
- The stove must be on installed on a level surface which can support the weight of the stove.
- The stove must be bolted to the level surface so that it permanently secured and can not be moved, tipped, or have ventilation seals compromised.
- The stove must be provided a permanently ducted source of outside air to support combustion which meets the following requirements:
 - The duct must be made of metal exclusively, not other materials such as plastic.

- The end of this duct must be equipped with a screen which prevents rodents from infiltrating.
- The end of this duct must be kept free of leaves, snow, ice, or other debris that could restrict air supply when the appliance is in operation.

- The joints of any and all connections for both of ventilation systems (the inlet air and the combustion exhaust) must be sealed with high temperature silicone.
- The chimney must comply with all applicable codes and requirements of the authority having jurisdiction.
- The chimney must be removed for any mobile home transportation, and reinstalled abiding all requirements after transportation.

The flue system is based on negative pressure in the combustion chamber and a slight overpressure on the flue gas outlet. It is therefore important that the flue gas connection is fitted correctly and is airtight.

⚠ CAUTION: THE STRUCTURAL INTEGRITY OF THE MOBILE HOME FLOOR, WALL, CEILING, AND ROOF MUST BE MAINTAINED.

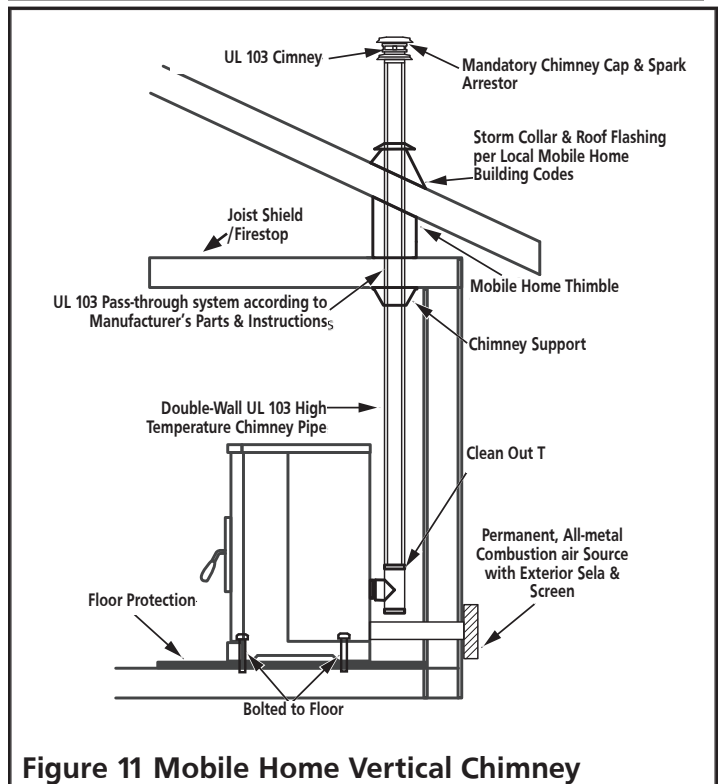


Figure 11 Mobile Home Vertical Chimney

LINED MASONRY CHIMNEY INSTRUCTIONS & DIAGRAM

This stove is designed to be vented through a masonry chimney which conforms to local building codes, fire codes, and latest edition of NFPA 211 US or CAN/CSA-B365.

1. If the connection piping from the stove to a masonry chimney is made through a combustible wall, consult a qualified mason or chimney dealer for consultation. To ensure safety, the installation should only be done by a qualified installer. The installation must conform to the regulations established by local fire codes and building codes
2. The chimney connection must not be obstructed by the chimney connector pipes, such as the figure 12 below illustrates.

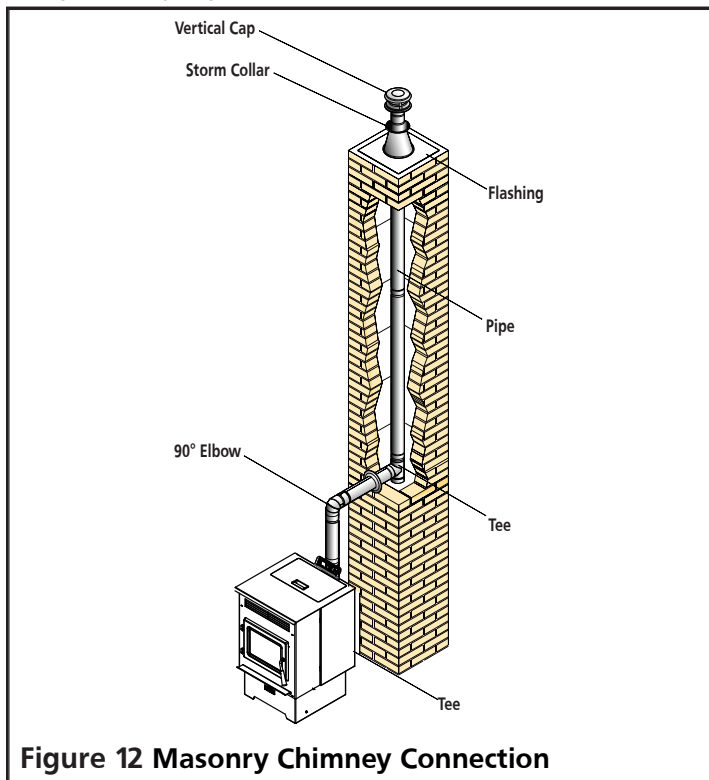


Figure 12 Masonry Chimney Connection

3. If there is an opening at the base of the chimney it must be closed tightly.

MANUFACTURED CHIMNEY INSTRUCTIONS & DIAGRAM

⚠ WARNING: DO NOT USE SINGLE-WALL CONNECTION PIPE AS A CHIMNEY.

This stove is designed to be used with either a UL 103HT (US)/ULC-S629 (CAN) listed manufactured chimney or an approved lined masonry chimney. Not all manufactured chimneys are UL103 HT/ULC-S629 listed. Home centers, hardware stores, HVAC supply stores, and the Online websites of chimney manufacturers will be able to provide stove pipe that is rated to these standards.

This listing indicates that the Chimney is rated for high temperatures up to 2100 F (1149 C)

Only use components that all come from the same manufacturer. Do not mix brands of components for the same ventilation system.

Grand Teton Wood Pellet Fire Stove

The following figures illustrate various methods and requirements of using a manufactured chimney and connection pipes to vent the stove.

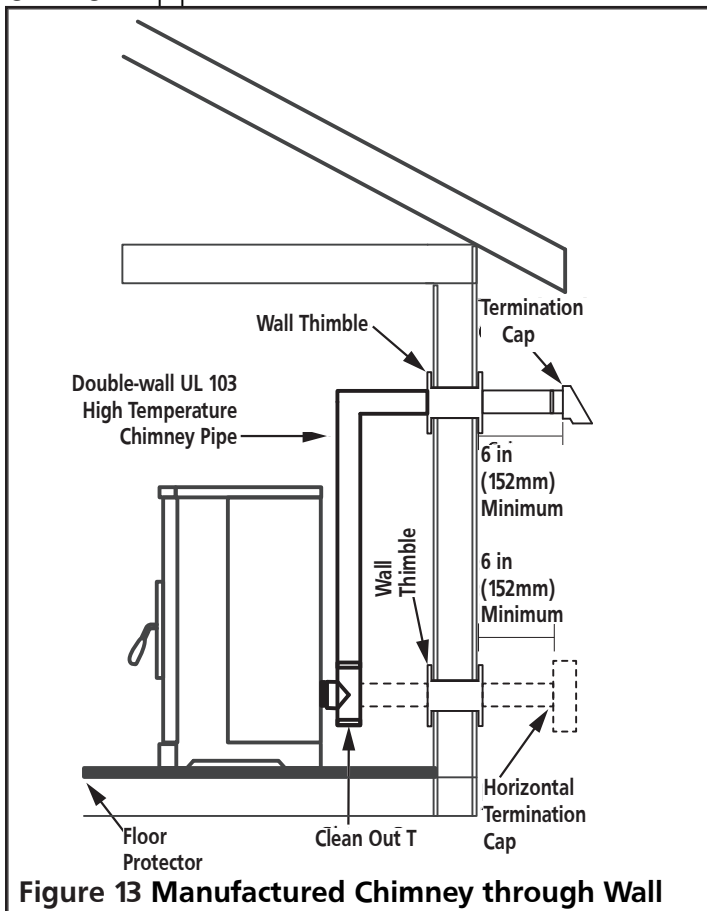


Figure 13 Manufactured Chimney through Wall

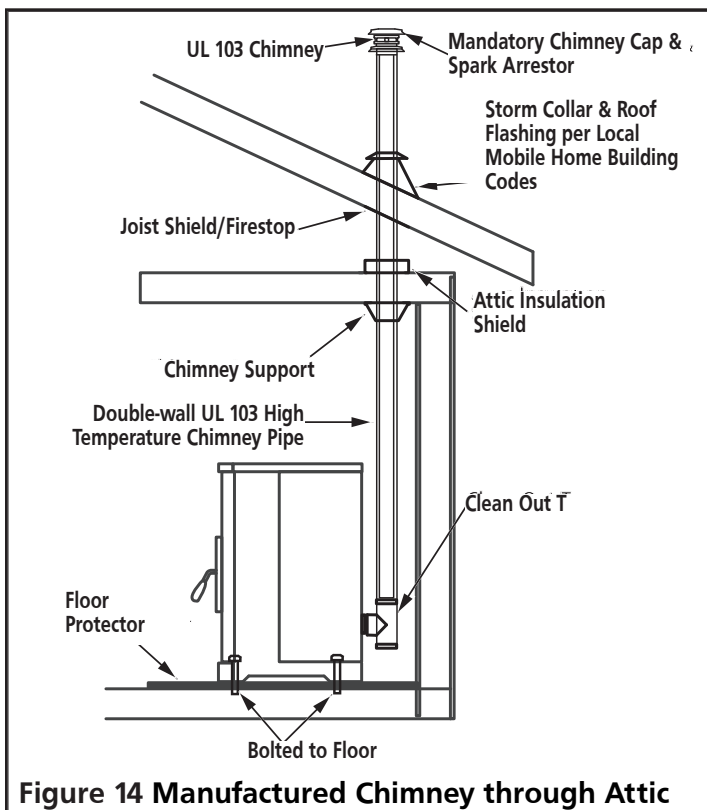


Figure 14 Manufactured Chimney through Attic

OPERATION

THEORY OF OPERATION

1. Combustion occurs in the fire pot, supported by air introduced to and under the fire pot. Note that some air blows in from the top of the combustion chamber; this helps keep ash and debris from accumulating on the door.
2. The exhaust blower draws combustion products from the stove and directs it out user-installed venting.
3. The auger transfers pellets from the hopper to the fire pot to sustain the fire.
4. A convection blower propagates air along the outside of the fire box, circulating warm and clean air into the room.

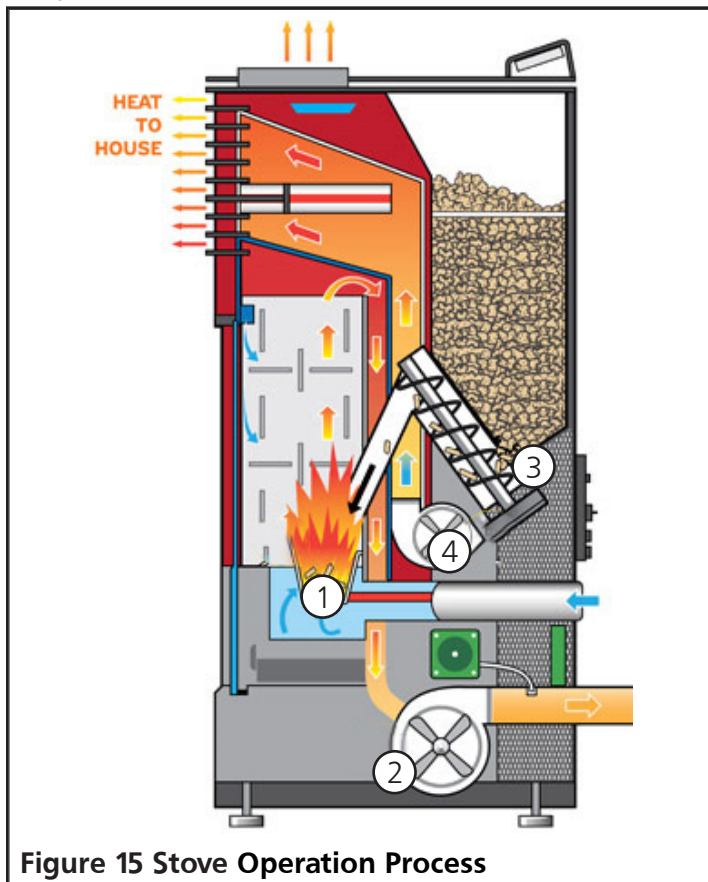


Figure 15 Stove Operation Process

APPROVED FUEL:

Do not use less than PFI premium-grade pellets. Use 100% natural hardwood pellets, untreated and without bonding agents added (max bark proportion of 5%) are the only fuel approved for use with this pellet stove. For best results see the specifications below:

- Calorific Value of 5.3 kWh/kg
- Density of 700 kg/m³
- The pellets should be low ash (less than 1 % ash)
- The pellets should be less than 30mm long, with a diameter between 5 and 6.5 mm.

- Do not use the pellet sediment & debris at the bottom of the pellet container.
- Store pellets in sacks, made of environmentally neutral or biologically degradable plastic or from paper (2-3 layers / similar to cement packaging).

Use of wood pellets that do not meet these specifications may result in ignition difficulty, accelerated creosote or flyash build up, incomplete combustion, low heat yield, and blackening of the glass in the door.

- ⚠ CAUTION: DO NOT USE CHEMICALS OR FLUIDS TO START THE FIRE.**
- ⚠ CAUTION: DO NOT BURN GARBAGE OR FLAMMABLE FLUIDS SUCH AS GASOLINE, NAPHTHA OR ENGINE OIL.**
- ⚠ CAUTION: NEVER ATTEMPT TO USE ANY OF THE FOLLOWING MATERIALS AS FUEL:**
- Paper products, cardboard, or particleboard;
 - Garbage;
 - Animal remains or manure;
 - Lawn clippings or yard waste;
 - Waste petroleum products;
 - Coal;
 - Construction or demolition debris;
 - Railroad ties or pressure-treated wood;
 - Materials containing
 - asbestos
 - plastic
 - rubber (including tires)
 - Petroleum products such as
 - paints
 - paint thinners
 - asphalt products
- BURNING THESE MATERIALS MAY RESULT IN RELEASE OF TOXIC FUMES OR RENDER THE HEATER INEFFECTIVE AND CAUSE SMOKE**

Do not store wood pellet fuel or other fire starting materials on floor protector, underneath stovepipe, or anywhere within minimum clearances from combustible surfaces specified on page 6.

Wood pellet fuel should be stored in a dry, well ventilated area.

- ⚠ CAUTION: DO NOT store unused pellets in the stove for future use as they may collect moisture. Using wet or damp pellets may result in ignition difficulty, incomplete combustion, and the potential for a hopper fire.**

OPERATING PRECAUTIONS

⚠ WARNING: HOT WHILE IN OPERATION. DO NOT TOUCH THE STOVE. KEEP CHILDREN, CLOTHING AND FURNITURE AWAY. CONTACT MAY CAUSE SKIN BURNS.

⚠ CAUTION: ENSURE THAT THE FIREPOT AND THE PAN UNDERNEATH ARE CLEAN AND IN THE PROPER OPERATING POSITION BEFORE USING THE STOVE.

⚠ WARNING: NEVER USE GASOLINE, GASOLINE-TYPE LANTERN FUEL, KEROSENE, CHARCOAL LIGHTER FLUID, OR SIMILAR LIQUIDS TO START OR 'FRESHEN UP' A FIRE IN THIS HEATER. KEEP ALL SUCH LIQUIDS WELL AWAY FROM THE HEATER WHILE IT IS IN USE.

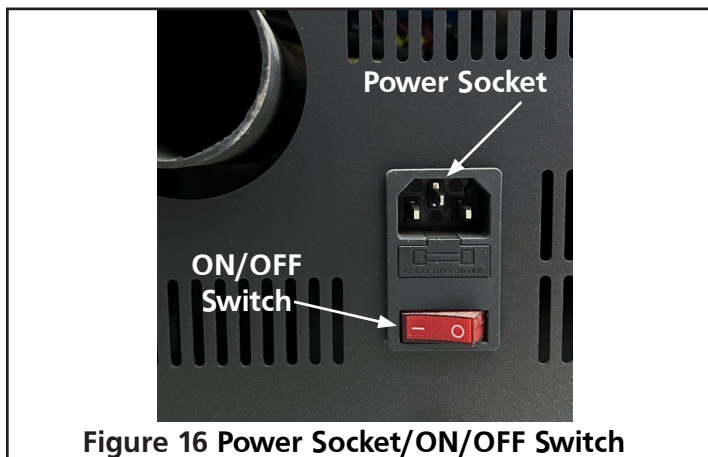
PAINT CURING

To allow the paint to bond durably to the stove, start by running the stove on P1 Maximum Power for at least 60 minutes. Provide cross ventilation to eliminate odors or smoke cause by this curing process.

OPERATING PROCEDURE: TURN ON STOVE

NOTE: If the display screen indicates that the stove is "Switching Off" the stove can not be interrupted. The Display Message will highlight to indicate that the state will not be changed. Only once the "Switching Off" cycle has finished and the exchanger has cooled can the stove be turned back on again.

1. Plug power cord into socket on the rear bottom of stove and press the red ON/OFF toggle switch above it to ON. See Figure 16.



NOTE: TO PREVENT STOVE FROM BEING OPERATED, TURN OFF RED POWER SWITCH ON BOTTOM, REAR OF STOVE.

2. Make sure that seals on the ash drawer and door are in good condition. If the stove has never been run before, add a handful of pellets directly to the firepot. Close the ash drawer and doors securely, and check that all side panels are all properly installed.

NOTE: DO NOT USE GRATES, IRONS, OR ANY OTHER METHODS OF SUPPORTING WOOD PELLET FUEL. ONLY THE FIREPOT SPECIFIC TO YOUR MODEL OF STOVE MAY BE USED.

3. Open the hopper. Ensure that there are a sufficient number of pellets to satisfy your heating requirements. Close the hopper.
4. Press and hold the power icon for 3 seconds on the display panel. The stove will begin to automatically progress through the following stages:
 - Cleaning Cycle: The firepot draws dust, ash, & remnants out.
 - Feeding Cycle: Pellets will be transported from the Pellet Hopper into the fire pot by the auger. This can take 5 to 15 minutes depending on the model of stove.
 - Lighting Cycle: The electrically powered hot surface igniter will run the entire lighting cycle and for a couple minutes after the stove reaches stabilizing and also begin combustion of the pellets in the firepot. The heater will remain in the Lighting Cycle until the exhaust smoke reaches a designated temperature.
 - Stabilization Cycle: The heater adjusts to fine tune the stove output to the desired temperature. Stabilizing will continue until the stove reaches the thermostat desired temperature.
5. The stove has been successfully turned on.

OPERATING PROCEDURE: TURN OFF STOVE

NOTE: THE STOVE MAY BE TURNED OFF, REGARDLESS OF WHAT CYCLE THE DISPLAY SCREEN INDICATES THAT THE STOVE IS IN, BY DEPRESSING AND HOLDING THE POWER BUTTON FOR TWO SECONDS. ONCE THE DISPLAY SCREEN INDICATES THAT THE STOVE IS IN THE STABILIZATION CYCLE PRESS THE POWER BUTTON AGAIN. THE STOVE WILL ENTER THE COOLING CYCLE, STATED ON THE DISPLAY SCREEN.

⚠ CAUTION: AFTER THE COOLING CYCLE THE STOVE AUTOMATICALLY BEGINS THE PROCESS OF CYCLING ON.

1. Press the power icon on the display panel. The stove will begin to automatically progress through the following stages:
 - Switching Off: Any remaining fuel in the firepot will continue to burn and produce heat and flame. After 5 to 8 minutes the firepot ought to be devoid of fuel. The heat exchanger may then begin to cool off.
 - Goodbye: The final message from the display screen to designate that the stove has cooled.
2. The stove has been successfully turned off.

OPERATION WITH AN ELECTRICAL GENERATOR

This stove is designed to have the option of being powered by an electrical generator, though not all electrical generator's may be compatible with this stove. Consult the information regarding your generator's electrical regulator and make sure that it meets the electrical requirements of this stove, as stated on page 3.

MINIMIZING CREOSOTE FORMATION

See "MAINTENANCE" on page 19 for an explanation of Creosote formation and removal. To slow the build up of creosote within your chimney burn only the recommended fuel, see page 14.

DISPOSAL OF ASHES

⚠ CAUTION: EMBERS MAY BE OBSCURED BY ASH. HANDLE ASH WITH TOOLS SUFFICIENT FOR FIRE TENDING, NEVER DIRECTLY WITH YOUR HANDS. WEAR FIRE RETARDANT CLOTHING AND PROTECTIVE EYEWARE.

Ashes should be placed in a metal container with a tight fitting lid.

1. Other waste shall not be placed in ash containers.
2. The closed container of ashes should be placed on a noncombustible floor or on the ground, well away from all combustible materials, pending final disposal.
3. Wood mineral residue (approximately 1-2%) remains in the ash and is an excellent natural fertilizer product for all garden plants. Before disposing ashes of by burial in soil or otherwise locally dispersed, they should be retained in the closed container until all any and all cinders have thoroughly cooled and should also be "quenched" with water.

SMART STOVE WIFI CONNECTION

This stove can be monitored, controlled, and programmed by using the GTC Smart Stove App which

is available for iOS or android device. Scan QR code on the cover of this manual.

Step 1. Download the GTC Smart Stove App.

Step 2. Open the GTC Smart Stove app. The app opens, by default, to the "Register" screen. Click on the "Register" button.

Step 3. Enter your email address in the "Email" field and click the "Get Verification Code" button.

Step 4. Enter the verification code that was emailed to you in the "Enter Verification Code" field.

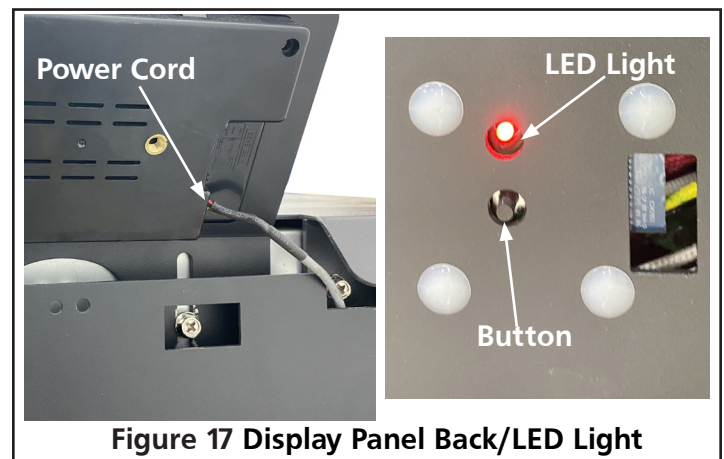
Step 5. Now you can set a unique password for your device in the "Set Password" field and hit the "Done" button.

Step 6. If you have no other wifi enabled devices already added to this app there will be a large "Add Device" button in the center of the screen which you can select. Otherwise, select the + symbol in the top right of the screen.

Step 7. Make sure that your device is connected to the wifi network which you want the stove to be connected to.

Step 8. Make sure that the wood pellet fire stove is plugged into an electrical outlet and can be powered on.

Step 9. Follow the directions on the screen by pressing and holding the connection button for 3 seconds on the back bottom of the stove as illustrated in the figure below. Once you observe the desired blinking pattern on the indicator light, press the confirmation button at the bottom of the screen.



Step 10. Enter the password for the wifi network so that the stove can connect to the wifi network.

Step 11. The stove will begin pairing with the device running the application through the wifi network. This process may take a few minutes.

Step 12. After the device and stove are paired, you will be able to see the pellet stove as a connection option on the “Devices” tab at the bottom of the app screen.

Step 13. On your device, go to your device’s wifi settings which will now include the stove as an option. Select the stove as your wifi connection.

Step 14. Open the Smart Stove phone app again.

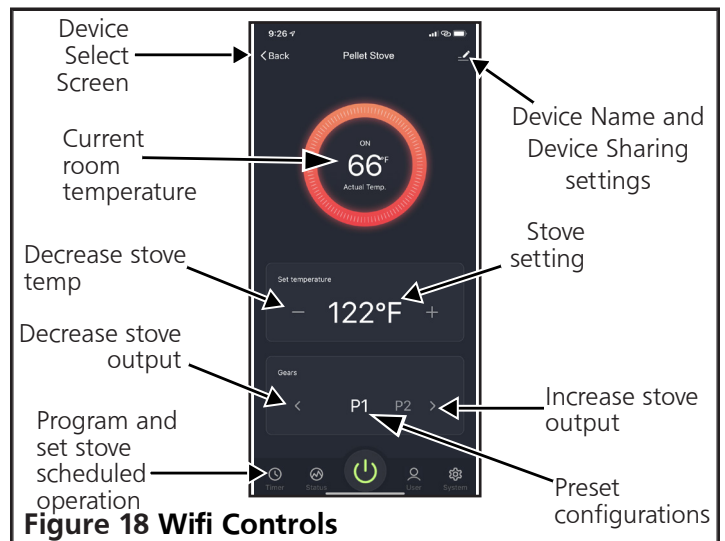
Step 15. You may now select this stove from this added devices list in order to monitor, control, and program the stoves operation.

NOTE: Refer to the Quick Start Guide included with stove for more detailed app setup information.

WIFI CONTROLS

Once connected to the stove (See step 13 of Wifi Connection) you can remotely monitor and adjust the operation of the stove. See below for explanation:

- **Device Name:** it is possible to rename the stove, so that if you have multiple stoves set up for operation you can more easily differentiate between while using the smart stove application.
- **Device Sharing:** it is possible to share connection to the stove with other devices via SMS or email.
- **Eco Mode:** There are two ECO settings which can be selected which will conserve wood pellets while maintaining the desired temperature. Pressing the ECO button will allow you to toggle whether a specific eco setting is enabled, or to turn off the feature entirely.
 - **ECO 1:** The stove shuts off when the desired temperature has been reached. The stove will turn back on once the room cools to a factory set temperature.
 - **ECO 2:** The stove turns to minimum power preset P4 when the desired temperature has been reached. The stove will turn on to higher power settings once the room cools to a factory set temperature.
- **Preset configurations:** There are four selectable configurations which adjust the speeds of the combustion fan and the room air circulation fan. Pressing the preset configuration button will allow you to toggle whether a specific preset configuration is enabled, or to turn off the feature entirely.
 - P1 [Maximum Power] Settings
 - P2 [Medium Power] Settings
 - P3 [Low Power] Settings
 - P4 [Minimum Power] Settings



N60WTS, N130WTS, AND NBF66WTS MULTI FUNCTION CONTROLS

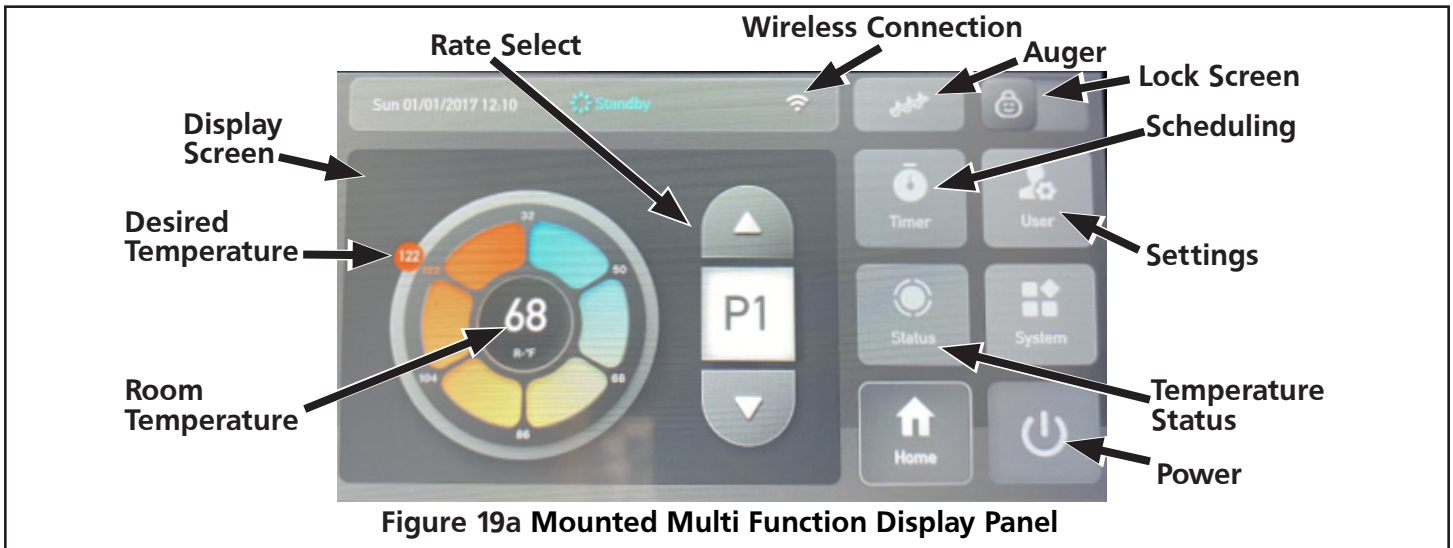


Figure 19a Mounted Multi Function Display Panel



Figure 19b User Menu

Mounted Button Functionality: Normal Operation

Power

- Press to begin stove heating if the stove was off.
- Press to begin stove shut off if the stove was on.

Temperature Status

- Press to see temperature readings of the stove.
- Displays the exhaust pipe temp, the hopper protection temp and number of run hours etc.

Settings

- Press to enter User Settings Menu (Figure 19b).
- On this menu, you may select °F or °C, ECO Mode (see Wi-Fi controls for explanation), Stir Time/Exhaust Fan/Blower settings, etc.

Scheduling

- Press to enter desired run times.

Lock Screen

- Lock screen will illuminate when screen is locked in a Programmed Mode.

Auger

- Allows user to use/engage the auger directly, prep/pre-feed the firepot, or get pellets into the auger/unit prior to lighting.

Rate Select

- Pressing the rate select arrows will toggle between four configurable heating presets (see Wi-Fi controls for explanation of P#'s). The currently set preset is displayed between the Up and Down arrows.

Desired Temperature

- Using your finger, press down and rotate around the wheel to desired temperature (only applicable when using Thermostat and ECO modes).

CAUTION: The manufacturer has programmed preset rates to ensure proper operation. It is not advised to reprogram rate settings.

MAINTENANCE

This wood heater needs periodic inspection and repair for proper operation. It is against federal regulations to operate this wood heater in a manner inconsistent with operating instructions in this manual.

⚠ CAUTION: TURN OFF AND UNPLUG THE STOVE FROM ANY SOURCE OF ELECTRICAL POWER TO UNIT BEFORE PERFORMING ANY MAINTENANCE OR SERVICE OPERATIONS.

⚠ CAUTION: ALLOW STOVE TO COOL DOWN BEFORE PERFORMING ANY MAINTENANCE OR SERVICE OPERATIONS.

⚠ CAUTION: DURING ANY ASSEMBLY OR DISASSEMBLY, BE WARY TO NOT DROP ANY ITEMS (SCREWS, ETC.) INTO THE PELLET HOPPER. DEBRIS CAN JAM THE AUGER AND DAMAGE THE STOVE.

The frequency which your stove's requires cleaning and maintenance depends on the fuel that you use. High moisture, ash, dust, and chips can more than double the necessary maintenance. Use only the tested and recommended wooden pellets fuel.

Clean the fire pot and fire pan every day, before using the stove and while the stove is cooled down, the stove is unplugged, and there are no embers. Use a vacuum cleaner to remove ash and debris from the fire pot, and then lift the fire pot to also clean the fire pan. It is important that ash or debris does not block any air openings.

A general cleaning schedule is as follows:

- Fire Pot: After 10 bags of wood pellets, or every day. Whichever is more frequent.
- Ash Drawer: After 50 bags of wood pellets
- Passageways: After 100 bags of wood pellets
- Blower: After 100 bags of wood pellets

IMPORTANT: Also make sure to refer to the separate Cleaning Schedule at the end of this section.

CLEANING: FIRE POT & PAN

⚠ CAUTION: IF STOVE IS INTENDED TO OPERATE CONTINUOUSLY, IT MUST BE TURNED OFF TWICE WITHIN EACH 24 HOUR PERIOD IN ORDER TO CLEAN THE FIRE POT AND FIRE PAN. ALWAYS ALLOW THE STOVE TO COOL DOWN AND ANY EMBERS TO EXTINGUISH BEFORE CLEANING THE FIRE POT AND FIRE PAN.

Make sure that you put the fire pot back onto the fire pan in the correct orientation, so that pellets can be added to the pot and successfully ignited for the next operation of the stove.

CLEANING: GLASS

⚠ WARNING: DO NOT CLEAN GLASS WHEN HOT.

Though the circulation of air across the glass reduces acidic ash build up, cleaning the glass in the stove door is still required periodically. Cleaning is necessary to prevent glass from being weakened which may increase likelihood of cracks. It is not acceptable to operate the stove with cracked or broken glass.

The best way to clean the door glass is using a damp cloth that has a smear of cool ash on it. For extra stubborn dirt, consult your local hardware store or stove specialist for a suitable cleaner.

⚠ WARNING: DO NOT CLEAN GLASS WITH ABRASIVE CLEANERS OR BY ANY OTHER PROCESS WHICH MAY SCRATCH OR DAMAGE THE GLASS.

CLEANING: OUTLET PASSAGEWAY

The outlet passageway should be cleaned at least once a year. Burning high ash pellets may require that the passageway are cleaned more frequently.

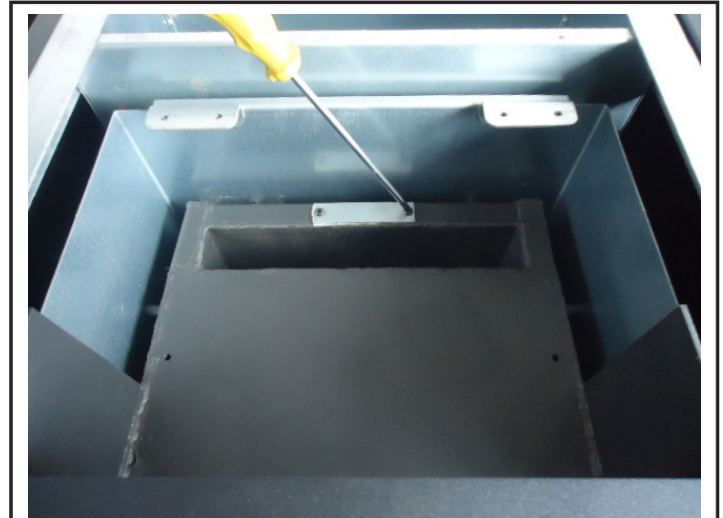


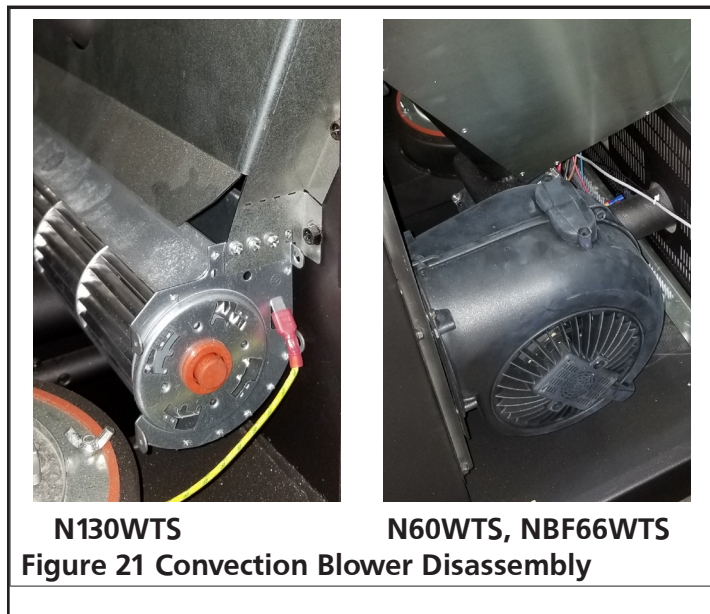
Figure 20 Outlet Duct

On each side of the stove there are two access covers that can be removed by removing the fastening screws. See Figures 21, 24 and 25. Turn off the stove, allow the stove to cool down, and unplug the stove before disassembly and cleaning. Insert a cleaning brush into the openings to loosen any ash build up and then use a vacuum cleaner to remove the loosened ash. Replace the covers and secure with the allen head screws.

There is one more opening to the outlet passageway which can be accessed by removing the ash drawer. Loosen the two 5/32" allen head screws shown in Figure 20. Rotate the cover to expose the opening. Use a cleaning brush to loosen any ash build up. Insert a cleaning brush into the openings to loosen any ash build up and then use a vacuum cleaner to remove the loosened ash. Rotate the cover back over the opening and secure with the allen screws.

CLEANING: CONVECTION BLOWER

When facing the heater, the blower motor responsible for introducing air for heating and circulation to the room is located on the right hand side. Remove or open the side panel to obtain access. Clean the convection blower as required, before using the stove and while the stove is cooled down, the stove is unplugged, and there are no embers. Take care to not damage the blower's blades during cleaning. Use a vacuum to remove any dust accumulation of the blower's blades or inside the blower duct.



CLEANING: EXHAUST VENT PIPE

Inspect the exhaust venting system at least once a year to determine if cleaning is necessary. During start up, shut down, and erroneous operation of the stove incomplete combustion can produce ash, soot, and creosote. To clean the exhaust venting system insert an appropriate sized cleaning brush into the pipe to loosen and remove any ash or debris build up. Build up of debris and ash can restrict the flow of gases which will affect stove performance, and failure to remove creosote may result in a dangerous chimney fire.

FLYASH - FORMATION AND NEED FOR REMOVAL

The products of combustion will contain small particles of flyash. The flyash will collect in the exhaust venting system and restrict the flow of the flue gases. Incomplete combustion, such as occurs during startup, shutdown, or incorrect operation of the room heater will lead to some soot formation which will collect in the exhaust venting system. The exhaust venting system should be inspected at least once every year to determine if cleaning is necessary. Use the appropriate sized chimney brush to remove ash and buildup from the venting.

CREOSOTE - FORMATION AND NEED FOR REMOVAL

Failure to remove creosote may result in a dangerous chimney fire.

When wood pellets burn at a low temperature they produce tar and other organic vapors, which combine with expelled moisture to form creosote. The creosote vapors condense in the relatively cool chimney flue of allow-temperature fire. As a result, creosote residue accumulates on the flue lining. When ignited this creosote makes an extremely hot fire. The chimney connector and chimney should be inspected at least once every few months during the heating season to determine if a creosote buildup has occurred. If a significant layer of creosote has accumulated (eighth of an inch, 3 mm, or more) it should be removed to reduce the risk of a chimney fire. Use the appropriate sized chimney brush to remove ash and buildup from the venting.

Be aware that the hotter the fire the less creosote is deposited, and weekly cleaning may be necessary in mild weather even though monthly cleaning may be enough in the coldest months. Contact your local municipal or provincial fire authority for information on how to handle a chimney fire. Have a clearly understood plan to handle a chimney fire.

REPLACING: GLASS

Replacing the door glass is only permitted by replacing the entire door assembly provided by the manufacturer. See pages 7 through 29.

⚠ WARNING: SUBSTITUTING ALTERNATE MATERIAL MAY SHATTER GLASS AND CAUSE INJURY.

REPLACING: SEALING GASKETS

Over time the sealing gaskets along the glass, door, or ash drawer may lose their rigidity. These seals are essential for providing a seal which allows the stove to operate safely. Inspect the gaskets periodically, and if they become worn contact the manufacturer for information on original or equivalent gasket.

To replace the gasket:

1. Ensure that all pellets are extinguished and that the stove is cool to the touch.
2. Remove old gasket and clean the gasket gutter.
3. Apply a thin coat of high temperature gasket cement along the inside of the gasket gutter.
4. Press the beginning of the replacement gasket into the most up and most left position of the prepared gasket gutter.
5. Continue pressing the replacement gasket clockwise along the gasket gutter until it has wrapped back to where the gasket was pressed in initially.
6. Trim any excess replacement gasket away, and press the remaining end into the gutter to complete the seal.

Close the door, drawer, or ash drawer and allow 3 to 4 hours for the cement to set before operating the stove.

REPLACING: HOT SURFACE IGNITER

Ensure that the stove is off and allow it time to become cool to the touch. After gaining access to the back, undo the screw located on the back inside of the main body. Pull the hot surface igniter free, and install replacement service part. See Figure 22 and 24.

NOTE: DEPENDING ON THE MODEL OF THE STOVE, IT MAY BE NECESSARY TO REMOVE THE AUGER MOTOR IN ORDER TO SLIDE THE IGNITER OUT OF ITS HOUSING.

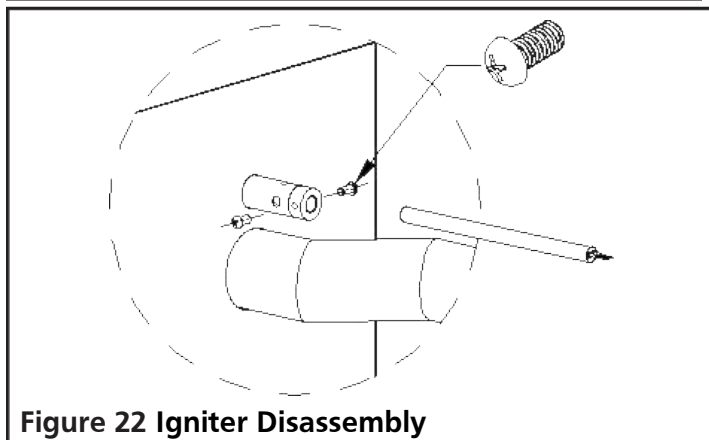


Figure 22 Igniter Disassembly

REPLACING: AUGER SYSTEM

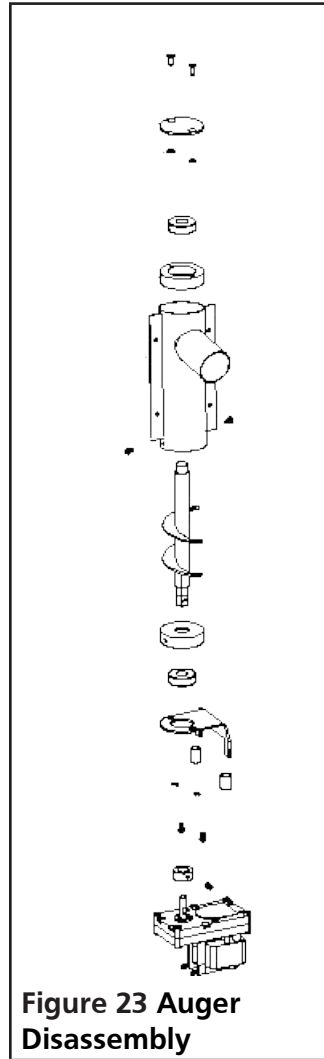


Figure 23 Auger Disassembly

Ensure that the stove is off and allow it time to become cool to the touch. After gaining access to the back, the auger can be disassembled part by part in the order indicated in Figure 23.

REMOVING BACK AND SIDE PANEL



Figure 24 N130WTS Back & side disassembly

- To remove the N130WTS side panels, remove the screws securing it on the rear of the heater. Then slide the panel along the side of the heater away from the front.
- To remove the N130WTS rear plate, remove the 8 screws securing it at the bottom and rear of the stove.
- To remove the N60WTS side panels, remove the screws securing it on the rear of the heater. Then pull the panel directly away from the heater.
- To open the side of the NBF66WTS model, simply swing the side panel free of the magnetic lock.

REPLACING: HEAT EXCHANGE BLOWER

Unplug the heater. Disconnect any wiring leading to the Heat Exchange Blower. Remove the screws holding the mounting plate to the heater. Slowly remove blower and replace with new one. Replace screws and wiring.

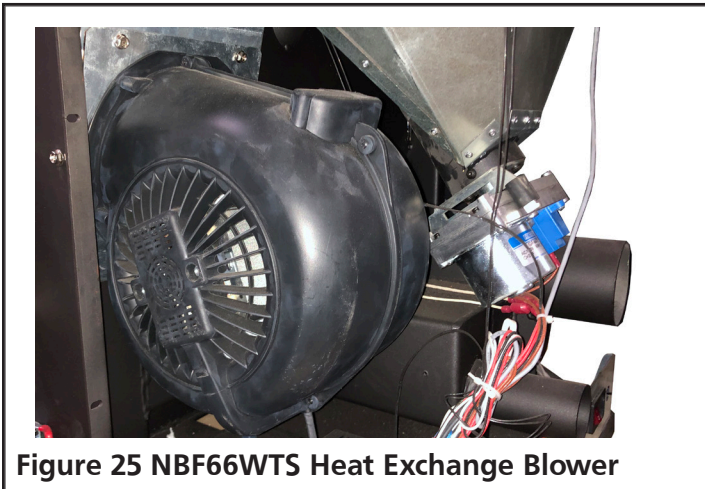


Figure 25 NBF66WTS Heat Exchange Blower

REPLACING: EXHAUST BLOWER

Unplug the heater. Disconnect any wiring leading to the Exhaust Blower. Remove the wing nuts holding the Exhaust Blower plate to the blower housing. Slowly remove blower and replace with new one. Replace wing nuts and wiring.

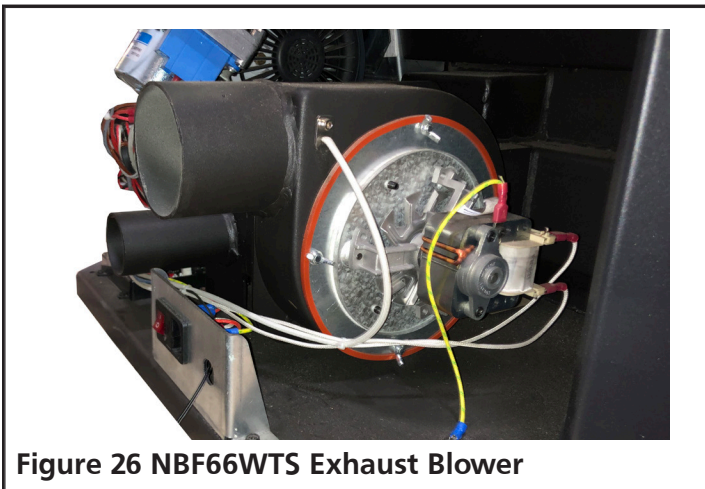


Figure 26 NBF66WTS Exhaust Blower

SAFETY COMPONENTS

1. Vacuum Pressure Switch: A safety vacuum switch is located behind the left door, fastened to the base. If a low pressure is created in the firebox by a leak, opening the door to the firebox, a blocked flue, or an unsealed ash drawer then the switch will shut the stove off as a precaution. Error code E5 will appear on the display panel.
2. High Limit Thermostat: A high temperature limiter is installed on the bottom of the hopper. If this sensor is exposed to temperatures higher than 185° F then the stove is shut off.
3. Vent Pipe High Temperature Thermostat: A high temperature limiter is installed on the vent pipe. If this sensor is exposed to temperatures higher than 104° F then the circulation fan blower is switched on.
4. Vent Pipe Low Temperature Thermostat: If the stove cools below a minimum temperature the stove will switch off. This may occur when the operating procedure fails to quickly and sufficiently heat the stove.
5. Fuse: A fuse on the rear of the device protects the stove from power surges. See Figure 27.



Figure 27 Fuse

PELLET STOVE CLEANING SCHEDULE

DAILY CLEANING

Step 1:

Shut down the stove and let it cool completely.

Step 2:

Grab your ash vacuum to remove ash and debris from the firepot and surrounding area, as well as any piles of ash or debris that you see.

Step 3:

Lift up and remove firepot – be certain this area is clear of debris. Vacuum under the firepot, taking special care to vacuum the airway under the firepot.

Step 4:

Grab your cleaning tool and move to the firepot. Scrape any debris out of the firepot, making sure that all of the holes in the firepot are free from any buildup.

Step 5:

Wipe down the glass. Never clean the glass with cool water or cleaner when the glass is still warm, since this can cause the glass to crack. The method we recommend requires a damp paper towel or cloth. Dab it on to cooled ashes and then wipe down the glass starting from the top.

Step 6:

Certain models have ash drawers. It is a good idea to empty it every time you clean your stove. You can use an ash vacuum to clean the ashes out of the drawer.

Step 7:

The mini models have cleaning rods. Your cleaning rods should be used daily after the stove has cooled down. These are cleaning inside of the exhaust where ash and debris can build up. When too much build up occurs your stove will not have the proper amount of airflow.

WEEKLY CLEANING**Step 1:**

Recommend letting the stove run out of pellets so the hopper is empty. Vacuum out the hopper. Clean any dust out of the hopper and inspect your auger.

Step 2

The medium and large models have flue plates. Remove the center flue plate by sliding it up. After the center flue plate is slid up and out you can remove the left and right plates. Vacuum and brush off the flue plates, scrape away any clinkers and build-up. Check the walls behind the flue plates for any debris. Be sure to vacuum behind the flue plates as well.

Step 3:

If equipped, remove the ash drawer and vacuum out the drawer. Then brush and scrape away any slag and build up. Make sure the area under the drawer is also clean.

Step 4:

Inspect auger chute. If you notice any build-up of creosote or pellet dust, clean the chute with a wire brush.

EVERY OTHER WEEK

Go outside, and visually inspect the termination cap on the exhaust. Make sure animals are not trying to make it their home and check for any buildup of ash on the grate.

AT LEAST ONCE A MONTH**Step 1:**

Use a cleaning brush to clear out the air inlet, located beneath the fire pot going towards the back of the stove; exact placement and size will vary from model to model.

Step 2:

For the Medium and Large models with the flue plates, the exhaust port is behind a flue plate, left of the firepot. Be sure to clean that with a wire brush and vacuum.

Step 3:

Use a cleaning brush to clear out the air exhaust ports in your burn chamber. The number of exhaust ports varies from model to model.

For the Mini models: There are four exhaust ports are at the top of the burn chamber.

For the Bayfront models: There are two exhaust ports on the top of the burn chamber.

Verifying they are clear will ensure optimal airflow in the chamber.

EVERY TWO (2) TONS OF PELLETS, OR EVERY OTHER MONTH

Inspect the clean out tee. Remove any ash that has built up and reseal the connection if necessary.

ANNUALLY

- It is important to remove the combustion fan, use a wire brush on creosote, and vacuum debris. This is important for under the fan and on the fan itself. When you remove the combustion fan, if the gasket is torn you can remove the gasket and use red RTV high temperature silicone to make a new gasket for the fan.
- You may need to remove the pipe from the back of your stove and use a wire brush and vacuum to clean that as well.
- It may be necessary to hire a chimney sweep to clean out your venting system regularly. You must take special care with elbows as they can build up creosote more than straight pipes.
- It is also a good idea to clean your inlet duct yearly as well.


For the Mini models: It is located behind the right-hand side panel. There is an air inlet cover that must be removed, and the airway should be cleaned. If the gasket gets torn or damaged a new one can be made with red RTV.

For the Bayfront models: The airways have an opening behind the ash drawer. The ash drawer will need to be removed completely, and the covers can be removed with a 3MM Allen key. A wire brush and a vacuum can be used to clean the airways.

ERROR CODES

NOTE: IN THE EVENT OF A POWER FAILURE (ERROR CODE E7), A SMALL AMOUNT OF SMOKE MAY BE EMITTED. THIS LASTS 3 TO 5 MINUTES AND DOES NOT REPRESENT A SAFETY RISK.

⚠ CAUTION: IF OVERHEATING HAS OCCURRED (ERROR CODES E5 AND E6), THEN AN INSPECTION, MAINTENANCE, AND/OR CLEANING MUST OCCUR BEFORE THE STOVE CAN SAFELY BE OPERATED AGAIN.

After following the suggested solution steps, press the confirm button  to clear the error code from the error code from the multi function display screen. Then go through the operation procedure specified on page 15 to restart the heater.

ERROR CODE	CAUSE	SOLUTION
E1	Exhaust temperature is below 40 - 45 °F Operation has been interrupted and the fire has been discontinued.	<ol style="list-style-type: none"> 1. Check that the pellet hopper has fuel. 2. Check that the auger motor is not damaged and is able to fill the firepot with fuel.
E2	Failure to ignite the fuel in fire pot.	<ol style="list-style-type: none"> 1. Check that there are no "clinkers" (glass like lumps of various sizes formed by debris exposed to high heat, more common when using low quality fuel) in fire pot. 2. Check that the firepot is sitting in the holder correctly and that the igniter is not obstructed. 3. Check that the exhaust gas temperature sensor switch, beside the combustion fan, is not broken. 4. Check that the igniter is not broken.
E5	Low pressure detected at the vacuum switch (located behind the left door, fastened to the base).	<ol style="list-style-type: none"> 1. Check that the door, and ash drawer if present, has been closed properly. 2. Check that there is nothing obstructing the exhaust duct nor that the duct is leaking. 3. Check that the combustion fan is not broken.
E6	Failure at the high temperature sensor (located below the pellet hopper).	<ol style="list-style-type: none"> 1. Check that the switch is not broken. 2. The temperature of the sensor is too high. The stove is not running properly. Call customer service.
E7	Power failure.	Press the Confirm button to clear the error code. Then restart the stove. You may chose to skip directly into the stabilization cycle by depressing and holding the rate selector button for 3 seconds.
E9	Hopper sensor. Hopper low on pellets.	<ol style="list-style-type: none"> 1. Replenish pellets in hopper.
ESC1	Short circuit at temperature sensor #1.	<ol style="list-style-type: none"> 1. Check wires and connection points. 2. Contact Tech Support for assistance.
ESO1	Open circuit at temperature sensor #1.	<ol style="list-style-type: none"> 1. Check wires and connection points. 2. Contact Tech Support for assistance.

ERROR CODES CONTINUED

ESC2	Short circuit at temperature sensor #2.	1. Check wires and connection points. 2. Contact Tech Support for assistance.
ESO2	Open circuit at temperature sensor #2	1. Check wires and connection points. 2. Contact Tech Support for assistance.
ESC3	Short circuit at temperature sensor #3	1. Check wires and connection points. 2. Contact Tech Support for assistance.
ESO3	Open circuit at temperature sensor #3	1. Check wires and connection points. 2. Contact Tech Support for assistance.

TROUBLESHOOTING

SYMPTOM	CAUSE	SOLUTION
Heater does not turn on.	Power Switch turned off.	Turn on power switch.
	Power Cord disconnected.	1. Press power cord tightly into the heater 2. Ensure that the wall socket is delivering 120 Volts.
	Fuse is blown.	Replace the fuse.
The blower does not turn on during Cleaning Cycle, Feeding Cycle, or Lighting Cycle.	This is normal.	There is no problem, the blower does not turn on until the stabilization cycle.
The blower does not turn on during Stabilization Cycle.	No power in stove or in control panel.	Check the power and wires.
	Mother board disconnected.	Make sure all terminals to mother board are connected.
	Low Temperature sensor is broken.	Replace the low temperature sensor.
During operation, including the Lighting phase, the auger is not filling the firepot with pellets.	No fuel in Pellet Hopper.	Add Fuel to Pellet Hopper.
	Auger is blocked, jammed, or disconnected.	1. Unplug the unit so that it will not start suddenly and then unblock the auger. 2. Check that the auger is not blocked. If it is blocked, remove the cause of the jamming. 3. Check that the auger screw fastening the auger to the motor is secure.

TROUBLESHOOTING CONTINUED

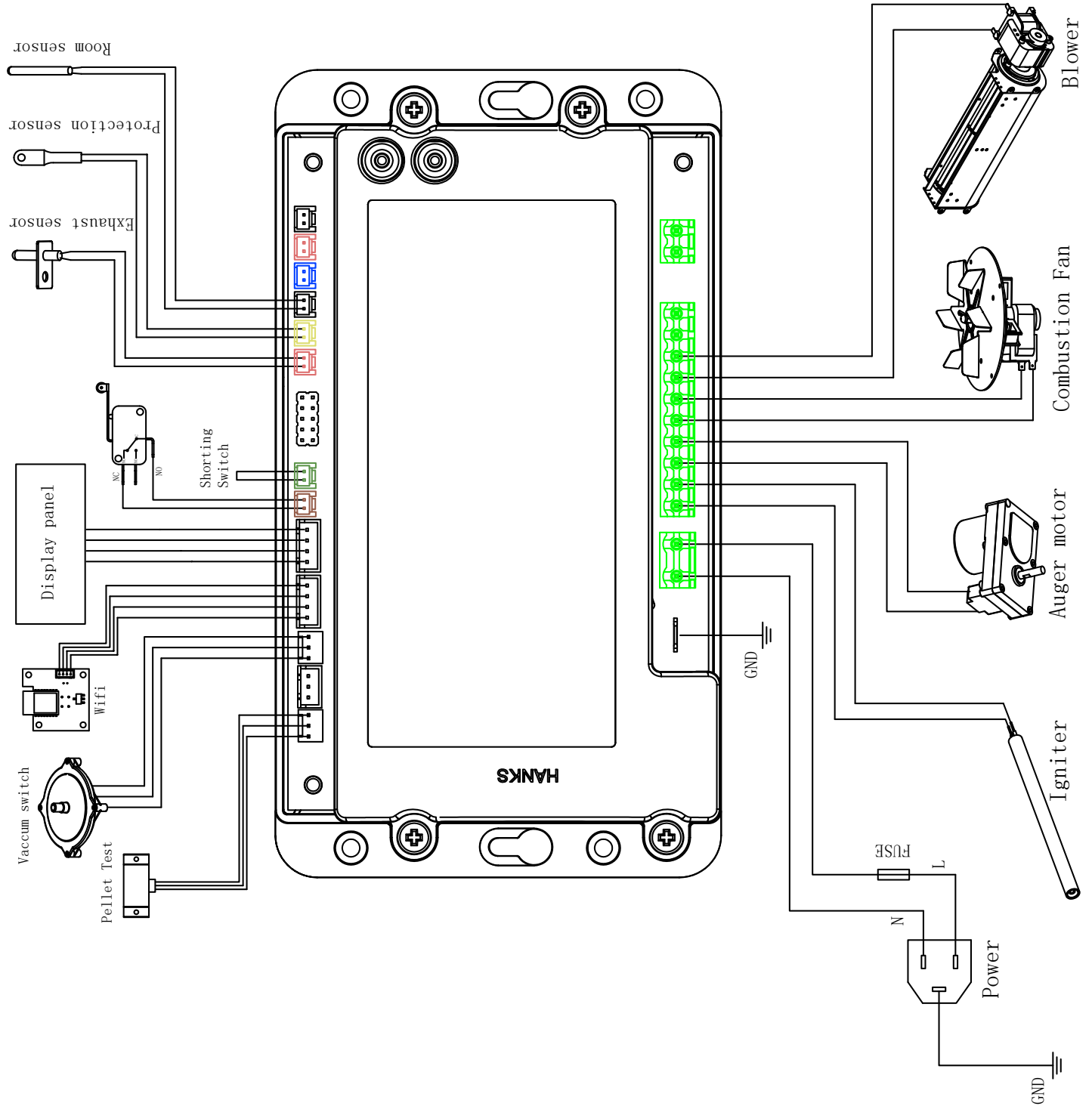
SYMPTOM	CAUSE	SOLUTION
Too much fuel in the firepot. The fuel can not be completely and thoroughly burned.	The feeding speed is faster than what combustion can support.	1. Increase the fan's speed to increase the rate of combustion.
Not enough fuel in the firepot.	The feeding speed is too low to support the rate of combustion.	1. Decrease the fan's speed to decrease the rate of combustion.
After the fire has started, the stove turns off 15 minutes later.	The pellet hopper is low on fuel.	Check that the pellet hopper has a sufficient amount of fuel.
	The auger is not operating.	1. Unplug the unit so that it will not start suddenly and then unblock the auger. 2. Check that the auger is not blocked. If it is blocked, remove the cause of the jamming. 3. Check that the auger screw fastening the auger to the motor is secure.
	The 30 ° C temperature switch has triggered.	1. Check that wires to the switch are sufficiently connected. 2. Replace the 30 ° C temperature switch.
	The pressure switch inside the stove is broken.	Replace the pressure switch.
Orange flame, pellets piling up in firepot, carbon residue forming on glass.	Insufficient air for sufficient combustion.	1. Check that the air inlet vent in the front is open. 2. Check that the door and window gaskets are intact. 3. Check if the air inlet ducting and the combustion exhaust ducting are blocked. 4. Increase the cross sectional area of the ducting. 5. Increase the fan's speed to increase the rate of combustion. 6. Contact the manufacturer for assistance.

TROUBLESHOOTING CONTINUED

SYMPTOM	CAUSE	SOLUTION
The fire extinguishes and the power shuts off.	No fuel in Pellet Hopper.	Add Fuel to Pellet Hopper.
	Auger is blocked or jammed or disconnected.	<ol style="list-style-type: none"> 1. Unplug the unit so that it will not start suddenly and then unblock the auger. 2. Check that the auger is not blocked. If it is blocked, remove the cause of the jamming. 3. Check that the auger screw fastening the auger to the motor is secure.
	The feeding speed is too low to support the rate of combustion.	<ol style="list-style-type: none"> 1. Decrease the fan's speed to decrease the rate of combustion.
	The 30 ° C temperature switch has triggered.	<ol style="list-style-type: none"> 1. Check that wires to the switch are sufficiently connected. 2. Replace the 30 ° C temperature switch.
The fire extinguishes and the power shuts off (continued).	Requested temperature has been reached.	This is normal "ECO" mode behavior. The stove will automatically switch on once the ambient room temperature drops below the temperature that the stove is set to maintain.
The circulation blower continues to operate after the stove is cool and the fuel consumption has ceased.	The 30 ° C temperature switch has triggered.	<ol style="list-style-type: none"> 1. Check that wires to the switch are sufficiently connected. 2. Replace the 30 ° C temperature switch.
The stove is not circulating a sufficient volume of sufficiently hot air.	The fuel is inadequate.	Use pellet fuel specified by this manual.
	The circulating blower is set too slow or is compromised.	<ol style="list-style-type: none"> 1. If the blower is broken, change out the blower 2. If the mother board which connects to the blower is broken, change out the mother board.
	Heat exchange tubes or flue pass is dirty.	Clean the heat exchanger tubes or flue pass.

WIRING DIAGRAM

NOTE: IF ANY OF THE ORIGINAL WIRE AS SUPPLIED WITH THE APPLIANCE MUST BE REPLACED, IT MUST BE REPLACED WITH WIRING MATERIAL HAVING A TEMPERATURE RATING OF AT LEAST 105 C AND RATED FOR 600V



SERVICE PARTS MODEL N60WTS

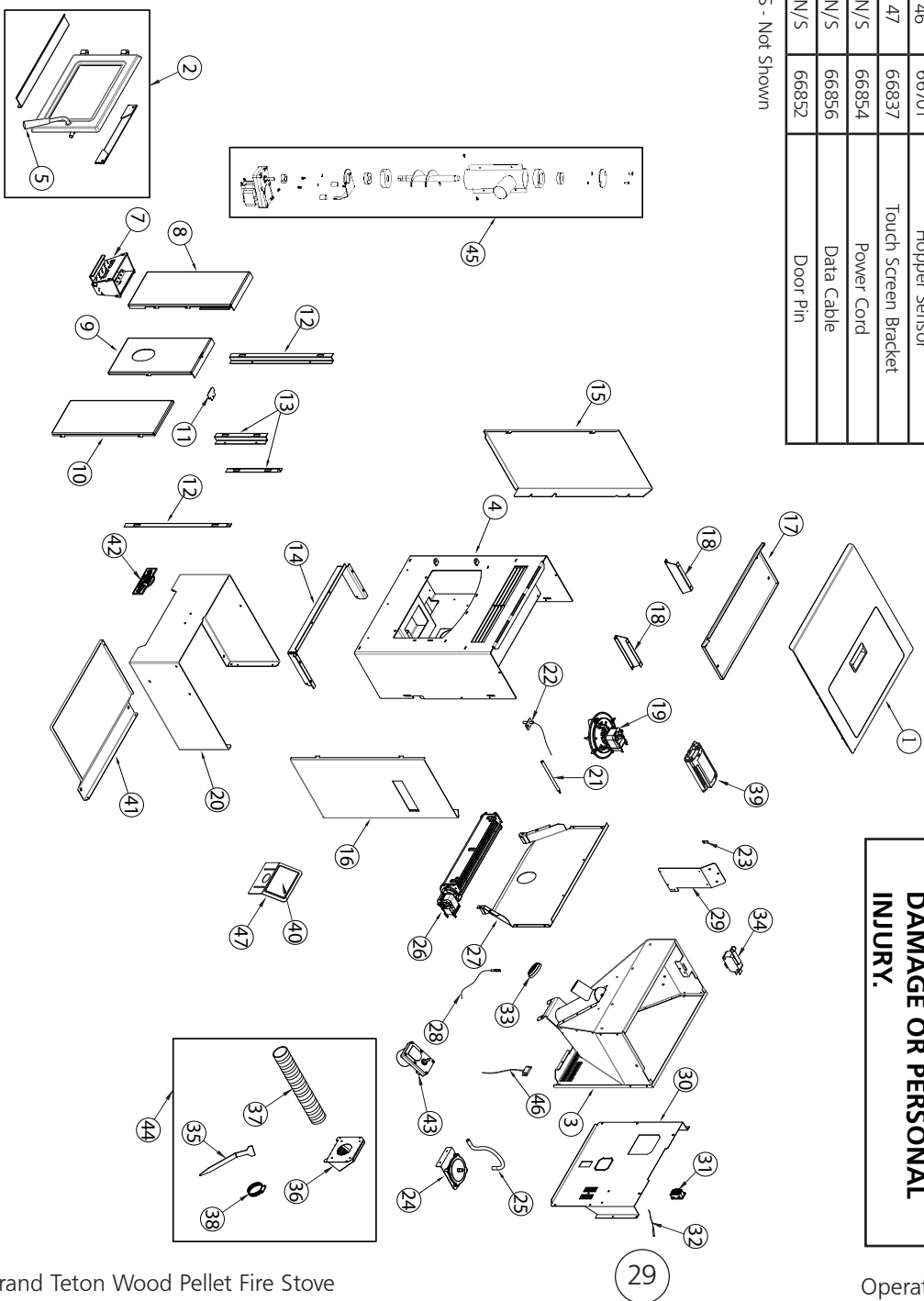
NO.	P/N	DESCRIPTION
1	66623	Top Cover
2	66624	Door Assembly
3	n/a	Hopper
4	n/a	Main Body
5	66603	Door Handle
7	66625	Fire Pot
8	66931	Flue Board-Left
9	66933	Flue Board-Middle
10	66932	Flue Board-Right
11	n/a	Upper Flue Plate
12	n/a	Flue Fixed Plate-Long
13	n/a	Flue Fixed Plate-Short
14	n/a	Pedestal Fixed Plate
15	66626	Left Side panel
16	66627	Right Side panel
17	n/a	Thermal Insulation Plate
18	n/a	Insulation Support Plate
19	66607	Combustion Blower
20	n/a	Pedestal Plate
21	66608	Igniter
22	66609	Exhaust Sensor
23	n/a	Grounding Screw
24	66628	Vacuum Switch
25	66629	Vacuum Switch Silicone Tube
26	66630	Circulation Blower
27	n/a	Chamber Insulation Cover
28	66613	Hopper Safety Sensor
29	n/a	Motherboard Fixed Plate
30	66631	Rear Cover
31	66615	Power Socket
32	66616	Room Sensor
33	66622	Silicone Rubber Sealing Ring
34	66617	Hopper Lid Switch
35	66855	Cleaning Tool (see # 44)
36	n/a	Fresh Air Intake Vent (see # 45)

NO.	P/N	DESCRIPTION
37	n/a	Aluminum Expansion Tube (see # 45)
38	n/a	Clamp (see # 45)
39	66661	Motherboard
40	66702	Touch Screen
41	n/a	Inner Pedestal Plate
42	n/a	Nameplate
43	66621	Auger Motor
44	66659	Accessory Kit
45	66660	Auger Assembly
46	66701	Hopper Sensor
47	66837	Touch Screen Bracket
	N/S	Power Cord
	N/S	Data Cable
	N/S	Door Pin

N/S - Not Shown

NOTE: NOT ALL PARTS AVAILABLE. FOR QUESTIONS CONTACT MANUFACTURER.

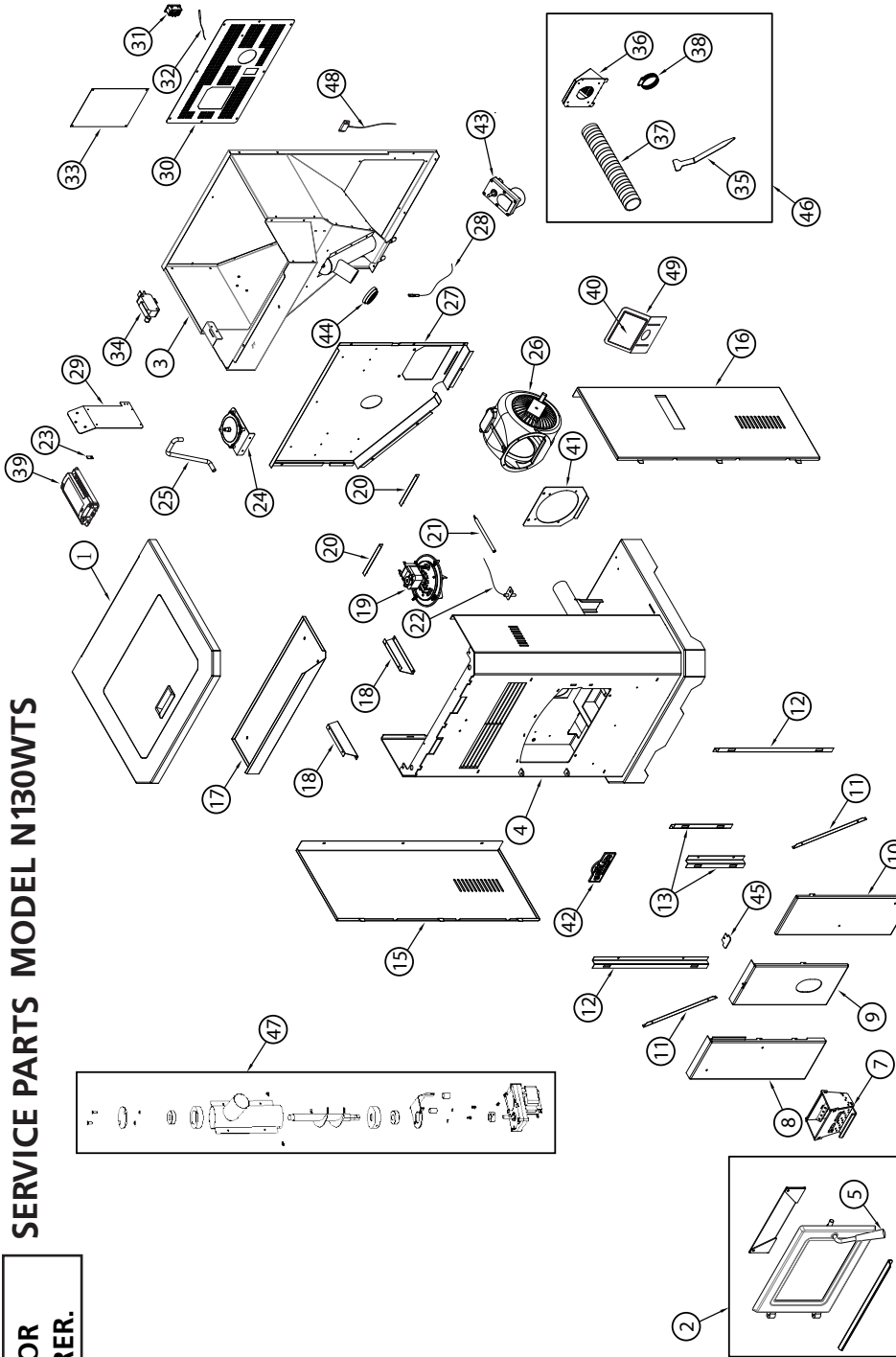
⚠ WARNING: FAILURE TO POSITION THE PARTS IN ACCORDANCE WITH THESE DIAGRAMS OR FAILURE TO USE ONLY PARTS SPECIFICALLY APPROVED WITH THIS STOVE MAY RESULT IN PROPERTY DAMAGE OR PERSONAL INJURY.



NOTE: NOT ALL PARTS AVAILABLE. FOR QUESTIONS CONTACT MANUFACTURER.

WARNING: FAILURE TO POSITION THE PARTS IN ACCORDANCE WITH THESE DIAGRAMS OR FAILURE TO USE ONLY PARTS SPECIFICALLY APPROVED WITH THIS STOVE MAY RESULT IN PROPERTY DAMAGE OR PERSONAL INJURY.

SERVICE PARTS MODEL N130WTS



NO.	P/N	DESCRIPTION
1	66601	Top Cover
2	66602	Door Assembly
3	n/a	Hopper
4	n/a	Main Body
5	66603	Door Handle
7	66604	Fire Pot
8	66931	Flue Plate-Left
9	66862	Flue Plate-Middle
10	66932	Flue Plate-Right
11	n/a	Flue Plate Reinforcement
12	n/a	Flue Fixed Plate-Long
13	n/a	Flue Fixed Plate-Short
15	66605	Left Side Panel
16	66606	Right Side Panel
17	n/a	Thermal Insulation Board
18	n/a	Insulation Support Plate
19	66607	Combustion Blower
20	n/a	Reinforcing Plate
21	66608	Igniter
22	66609	Exhaust Sensor
23	n/a	Ground Screw
24	66610	Vacuum Switch
25	66611	Silicone Tube
26	66612	Circulation Blower
27	n/a	Chamber Insulation Cover
28	66613	Hopper Safety Sensor

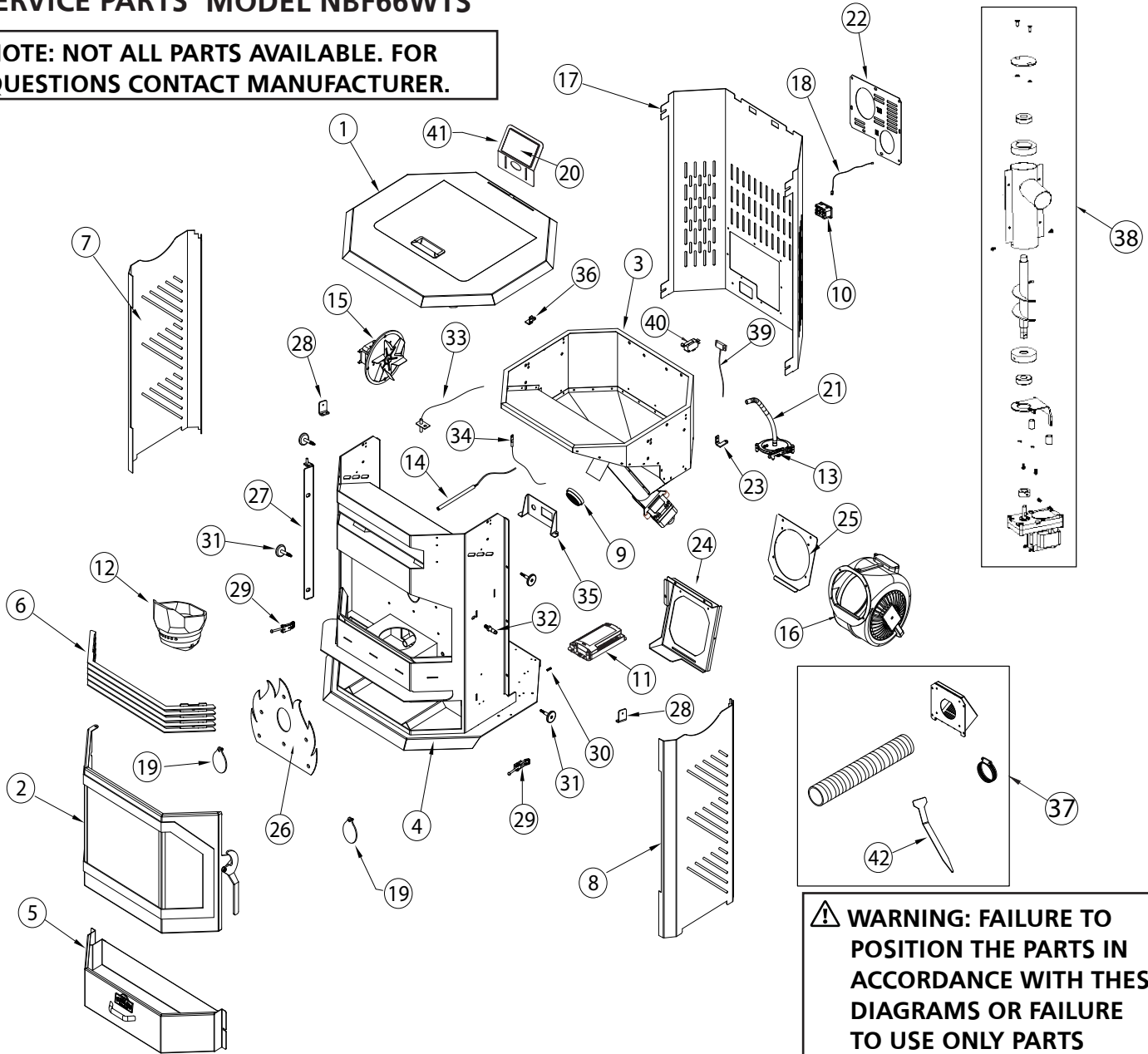
NO.	P/N	DESCRIPTION
29	n/a	Motherboard Fixed Plate
30	66614	Rear Cover
31	66615	Power Socket
32	66616	Room Sensor
33	n/a	Rating Label
34	66617	Hopper Lid Switch
35	66855	Cleaning Tool (see # 46)
36	n/a	Fresh Air Intake Vent (see # 47)
37	n/a	Aluminum Expansion Tube (see # 47)
38	n/a	Clamp (see # 47)
39	66662	Motherboard
40	66702	Touch Screen

NO.	P/N	DESCRIPTION
41	66620	Blower Fixed Plate
42	n/a	Nameplate
43	66621	Auger Motor
44	66622	Silicone Rubber Sealing Ring
45	n/a	Upper Flue Plate
46	66659	Accessory Kit
47	66660	Auger Assembly
48	66701	Hopper Sensor
49	66837	Touch Screen Bracket
N/S	66854	Power Cord
N/S	66856	Data Cable
N/S	66852	Door Pin

N/S - Not Shown

SERVICE PARTS MODEL NBF66WTS

NOTE: NOT ALL PARTS AVAILABLE. FOR QUESTIONS CONTACT MANUFACTURER.



NO.	P/N	DESCRIPTION
1	66632	Top Cover
2	66633	Door
3	n/a	Hopper
4	n/a	Main Body
5	66634	Ash Pan
6	n/a	Decorative Plate
7	66635	Left Side Panel
8	66636	Right Side Panel
9	66622	Silicone Rubber Sealing Ring
10	66615	Power Socket
11	66663	Motherboard
12	66638	Fire Pot
13	66639	Vacuum Switch
14	66640	Igniter
15	66641	Combustion Blower
16	66612	Circulation Blower
17	66642	Rear Cover

NO.	P/N	DESCRIPTION
18	66643	Room Sensor
19	n/a	Flue Sealing Plate
20	66702	Touch Screen
21	66645	Pressure Device Silicone Tube
22	66646	Rear Sealing Plate
23	66647	Right Side Panel Hinge
24	66648	Blower Bracket
25	66620	Blower Fixed Plate
26	n/a	Fireproof Plate
27	66649	Door Hinge
28	66650	Rear Cover Fixed Plate
29	66651	Ash Pan Lock Parts
30	n/a	Ground Screw
31	66652	Magnet
32	66653	Door, Latch
33	66654	Exhaust Sensor
34	66655	Hopper Safety Sensor

⚠ WARNING: FAILURE TO POSITION THE PARTS IN ACCORDANCE WITH THESE DIAGRAMS OR FAILURE TO USE ONLY PARTS SPECIFICALLY APPROVED WITH THIS STOVE MAY RESULT IN PROPERTY DAMAGE OR PERSONAL INJURY.

NO.	P/N	DESCRIPTION
35	66656	Socket Fixed Plate
36	66657	Left Side Panel Hinge
37	66659	Accessory Kit
38	66660	Auger Assembly
39	66701	Hopper Sensor
40	66617	Hopper Lid Switch
41	66837	Touch Screen Bracket
42	66855	Cleaning Tool (See # 37)
N/S	66854	Power Cord
N/S	66856	Data Cable
N/S	66859	Door Pin

N/S - Not Shown

OPERATING INSTRUCTIONS AND OWNER'S MANUAL

Model #
C60WTS, H60WTS,
J60WTS, PS60WTS,
C130WTS, H130WTS,
J130WTS, PS130WTS,
CBF66WTS, HBF66WTS,
JBF66WTS, PSBF66WTS

READ INSTRUCTIONS CAREFULLY: Please read this entire manual before installation and use of this pellet fuel-burning room heater. Failure to follow these instructions could result in property damage, bodily injury or even death. Do not allow anyone who has not read these instructions to assemble, light, adjust or operate the stove. Place instructions in a safe place for future reference.

WARNING:

USE ONLY MANUFACTURER'S REPLACEMENT PARTS. USE OF ANY OTHER PARTS COULD CAUSE INJURY OR DEATH. REPLACEMENT PARTS ARE ONLY AVAILABLE DIRECT FROM THE FACTORY AND MUST BE INSTALLED BY A QUALIFIED SERVICE AGENCY.

PARTS ORDERING INFORMATION:

PURCHASING: ACCESSORIES MAY BE PURCHASED AT ANY GRAND TETON LOCAL DEALER OR DIRECT FROM THE FACTORY

FOR INFORMATION REGARDING SERVICE:

Please call Toll-Free 1-866-740-2497/1-800-251-0001 • Weekends/After Hours 423-488-6316 • grandtetoncollection.com

Our office hours are 8:00 AM – 5:00 PM, EST, Monday through Friday.

Please include the model number, date of purchase, and description of problem in all communication.

LIMITED WARRANTY:

Enerco Group, Inc. (EGI) warrants Grand Teton Wood Pellet Fire Stoves to be free from imperfections in workmanship or material, at the date of manufacture. After installation, If covered components are found to be defective in workmanship or material during the applicable warranty period then the company, at its option, will repair or replace products returned by the buyer to the factory, transportation prepaid within applicable warranty period and found by the company to have imperfections in material or workmanship. The warranty period of the covered components is defined in the table below:

Components Covered	Warranty Period (Parts only, Labor not included)
Electrical	1 years
Steel parts (excluding fire pot)	5 years

If a part is damaged or missing, call our Technical Support Department at 1-866-740-2497/1-800-251-0001.

Address any Warranty Claims to the Service Department, Enerco Group, Inc., 4560 W. 160TH ST., CLEVELAND, OHIO 44135. Include your name, address and telephone number, the model and serial number of your product, and include details concerning the claim. Also, supply us with the purchase date and the name and address of the dealer from whom you purchased our product.

The foregoing is the full extent of the responsibility of the Company. There are no other warranties, express or implied. Specifically there is no warranty of fitness for a particular purpose and there is no warranty of merchantability. In no event shall the Company be liable for delay caused by imperfections, for consequential damages, or for any charges of the expense of any nature incurred without its written consent. The cost of repair or replacement shall be the exclusive remedy for any breach of warranty. There is no warranty against infringement of the like and no implied warranty arising from course of dealing or usage of trade. This warranty will not apply to any product which has been repaired or altered outside of the factory in any respect which in our judgment affects its condition or operation. This warranty does not cover damage or breakage due to misuse, abuse or modifications. There is no warranty on any paint, glass, gasket or fire brick. There is no warranty on the fire pot. There is no warranty against damage caused by corrosion.

Some states do not allow the exclusion or limitation of incidental or consequential damages, so the above limitation or exclusion may not apply to you. This Warranty gives you specific legal rights, and you may have other rights which vary from state to state.

Enerco Group, Inc. reserves the right to make changes at any time, without notice or obligation, in colors, specifications, accessories, materials and models.

Enerco Group, Inc., 4560 W. 160TH ST., CLEVELAND, OHIO 44135 • 1-866-740-2497/1-800-251-0001
© 2024, Mr. Heater. All rights reserved

US Patent Pending



Report Number : F23-240
ASTM E1509-22
CAN/ULC-S627:2023

INSTALLATEUR : Laisser le présent guide avec l'appareil

CONSOMMATEUR : Sauvegarder les présentes instructions pour référence future.

GUIDE DU PROPRIÉTAIRE ET INSTRUCTIONS D'UTILISATION

N° de modèle
C60WTS, H60WTS,
J60WTS, PS60WTS,
C130WTS, H130WTS,
J130WTS, PS130WTS,
CBF66WTS, HBF66WTS,
JBF66WTS, PSBF66WTS

LIRE LES INSTRUCTIONS ATTENTIVEMENT : Veuillez lire le présent manuel au complet avant d'installer et d'utiliser ce poêle à grenailles de bois. Ne pas suivre les directives comprises pourrait résulter en des dommages matériels ou des blessures graves, voire la mort. Ne pas laisser quiconque qui n'a pas lu les instructions du présent manuel assembler, allumer, régler ou faire fonctionner le poêle. Remiser ce manuel dans un endroit sûr pour référence ultérieure.

POÊLE À GRENAILLES DE BOIS



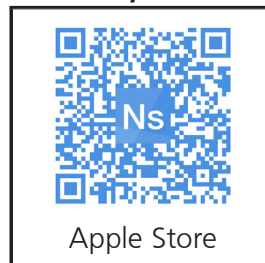
C60WTS, H60WTS, J60WTS, PS60WTS



CBF66WTS, HBF66WTS, JBF66WTS, PSBF66WTS



C130WTS, H130WTS, J130WTS, PS130WTS



Apple Store



Google Play Store

**POUR DÉTERMINER VOTRE BESOIN DE PERMIS, CONSULTEZ LES AUTORITÉS AYANT JURIDICTIONS
DANS VOTRE LOCALITÉ (AUTORITÉS DE PRÉVENTION DES INCENDIES, SERVICE DE LA CONSTRUCTION
MUNICIPAL, ETC.). RESPECTEZ TOUS LES CODES DE LA CONSTRUCTIONS LOCAUX.**

Mr. Heater une filiale de Enerco Group Inc.

4560 West 160th st Cleveland, Ohio 44135 1-866-740-2497/1-800-251-0001

xxxxx

AVERTISSEMENTS GÉNÉRAUX DE DANGERS :

- ⚠ NE PAS SE CONFORMER AUX PRÉCAUTIONS ET INSTRUCTIONS FOURNIES PEUT RÉSULTER EN UN DÉCÈS DE PERSONNE OU DES BLESSURES GRAVES ET DES DOMMAGES MATÉRIELS RÉSULTANT DES DANGERS D'INCENDIE, DE DÉFLAGRATION, DE BRÛLURE, D'ASPHYXIATION D'EMPOISONNEMENT AU MONOXYDE DE CARBONE ET/OU DE CHOC ÉLECTRIQUE.
- ⚠ SEULES LES PERSONNES POUVANT COMPRENDRE ET SUIVRE LES INSTRUCTIONS DEVRAIENT UTILISER OU ENTREtenir CE POÊLE.
- ⚠ POUR TOUTE ASSISTANCE, RENSEIGNEMENT OU POUR UN EXEMPLAIRE DU MANUEL D'INSTRUCTION, OU D'ÉTIQUETTES DE REMPLACEMENT, VEUILLEZ COMMUNIQUER AVEC LE FABRICANT.

AVERTISSEMENT :

- ⚠ DANGER D'INCENDIE, DE BRÛLURE, D'ÉMANATIONS ET DE DÉFLAGRATION. GARDER LES MATIÈRES COMBUSTIBLES SOLIDES TEL LES MATÉRIAUX DE CONSTRUCTION, LE CARTON OU LE PAPIER À UNE DISTANCE SÉCURITAIRE DU POÊLE SELON LES RECOMMANDATIONS DU MANUEL, NE JAMAIS UTILISER LE POÊLE DANS UN LIEU AYANT OU QUI A POSSIBILITÉ D'AVOIR DES MATIÈRES VOLATILES EN SUSPENSION DANS L'AIR OU DES PRODUITS COMME L'ESSENCE, DES SOLVANTS, DES DILUANTS À PEINTURE, DE LA POUSSIÈRE OU DES PRODUITS CHIMIQUES INCONNUS.

- ⚠ **AVERTISSEMENT :** Ce produit peut vous exposer à des produits chimiques incluant le plomb et des composés du plomb, reconnus par l'État de la Californie causer le cancer et des défauts congénitaux ou d'autres sévices du système reproducteur. Pour plus d'information visitez www.P65Warnings.ca.gov

Table des matières

SPÉCIFICATIONS.....	3
COMMENCER.....	4
PRÉCAUTIONS DE SÉCURITÉ.....	5
DISTANCES DE DÉGAGEMENT DES MATÉRIAUX COMBUSTIBLES.....	6
DÉBALLAGE ET ASSEMBLAGE.....	7
INSTALLATION.....	8
EXIGENCES SUPPLÉMENTAIRES POUR LES MAISONS MOBILES.....	12
FONCTIONNEMENT.....	14
CONNEXION WI-FI « SMART STOVE ».....	16
COMMANDES WI-FI.....	17
COMMANDES MULTIFONCTIONS.....	18
ENTRETIEN.....	19
SCHÉMA DE CÂBLAGE.....	30
PIÈCES DE SERVICE.....	31

INFORMATIONS ÉMISES À LA FCC

MISE EN GARDE: Tout changement ou modification qui ne serait pas approuvé expressément par la partie responsable de sa conformité peut causer l'annulation de l'autorité de l'utilisateur de faire fonctionner cet équipement.

REMARQUE: Cet appareil a été testé et a été déterminé comme conforme aux limites d'un appareil numérique de Classe B, conformément à la Section 15 des réglementations FCC. Ces limites sont conçues pour offrir une protection raisonnable contre une interférence nuisible dans une installation résidentielle. Cet appareil génère, et peut irradier de l'énergie en radiofréquence et, s'il n'est pas installé et utilisé en conformité avec ces instructions, il peut causer une interférence nuisible aux communications radio. Toutefois, il n'est pas garanti qu'une telle interférence ne puisse survenir dans une installation particulière. Si l'appareil cause une interférence nuisible à la réception radio ou télévisuelle, ce qui peut être déterminé en mettant en marche l'appareil puis en l'éteignant, l'utilisateur est encouragé à tenter de corriger cette interférence par une ou l'autre des mesures suivantes:

- Réorienter ou relocaliser l'antenne réceptrice.
- Augmenter la distance de séparation entre l'appareil et le récepteur.
- Connecter l'appareil dans une prise de courant qui se trouve sur un circuit différent de celui dans lequel le récepteur est connecté.
- Consulter le détaillant ou un technicien expérimenté en radio/télé pour de l'aide.

Le présent manuel décrit la procédure d'installation et de fonctionnement des poêles à grenailles de bois Grand Teton. Votre poêle est conforme aux limites d'émission de l'EPA (Environmental Protection Agency) des États-Unis pour les poêles à grenailles fabriqués après l'année 2020. Sous des conditions d'essai précises, il a été déterminé que ces poêles produisent une sortie de chaleur entre :

N60WTS : 10 771 et 30 124 Btu/h

N130WTS : 12 746 à 29 501 Btu/h

NBF66WTS : 11 624 à 30 173 Btu/h

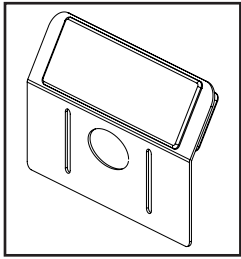
SPÉCIFICATIONS

N° de modèle	N60WTS	N130WTS	NBF66WTS
DIMENSIONS			
Poids du poêle [kg (lb)]	88 (194)	105 (231)	117 (258)
Dimensions du poêle prof.x larg.x haut. [cm (po)]	55,2 x 56 x 84 (21,7 x 22 x 33,1)	66,2 x 58,2 x 92,8 (26,1 x 22,9 x 36,5)	66,5 x 61 x 77,3 (26,2 x 24 x 30,4)
Diamètre du tuyau d'entrée d'air [mm (po)]	50 (2)	50 (2)	50 (2)
Diamètre du tuyau de sortie d'air [mm (po)]	76 (3)	76 (3)	76 (3)
Capacité de la trémie de gre- nailles [kg (lb)]	27,2 (60)	59,0 (130)	29,9 (66)
SPÉCIFICATIONS DE FONCTIONNEMENT			
Carburant	Grenailles de bois	Grenailles de bois	Grenailles de bois
Chauffe approximativement ** [m ² (pi ²)]	139 - 204 (1500 - 2200)	186 - 279 (2000 - 3000)	167 - 232 (1800 - 2500)
Monoxyde de carbone produit (g/min)	Sur réglage élevé : 0,32 Sur réglage bas : 0,18	Sur réglage élevé : 0,20 Sur réglage bas : 0,36	Sur réglage élevé : 0,11 Sur réglage bas : 0,21
Taux de consommation de grenailles sur réglage bas [kg/h (lb/h)]	0,72 - Sec (1,59)	0,90 - Sec (1,98)	0,79 - Sec (1,74)
Taux de consommation de grenailles sur réglage moyen [kg/h (lb/h)]	0,92 - Sec (2,03)	1,28 - Sec (2,82)	1,07 - Sec (2,36)
Taux de consommation de grenailles sur réglage élevé [kg/h (lb/h)]	1,98 - Sec (4,37)	2,19 - Sec (4,83)	2,12 - Sec (4,67)
Rendement du poêle	84%	77%	80%
Taux de sortie de chaleur bas [BTU/ HR (kW)]	10,771 (3,16)	12,746 (3,74)	11,624 (3,41)
Taux de sortie de chaleur moyen [BTU/HR (kW)]	13,910 (4,08)	18,088 (5,30)	15,511 (4,55)
Taux de sortie de chaleur élevé [BTU/HR (kW)]	30,124 (8,83)	29,501 (8,65)	30,173 (8,84)
SPÉCIFICATIONS ÉLECTRIQUES			
Exigences d'alimentation électrique (Tension/Fréquence/Phase)	120 V / 60 Hz / 1	120 V / 60 Hz / 1	120 V / 60 Hz / 1
Courant électrique durant la phase d'allumage (Ampères)	3,3	3,3	3,3
Vitesse de rotation du moteur de la tarière (t/min)	2,4	2,4	2,4

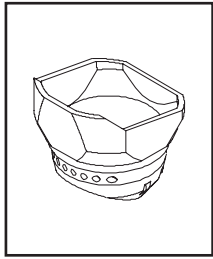
* L'énergie (BTU) de sortie variera selon la marque du combustible utilisé.

** Selon degré d'isolation de la pièce et la zone climatique. Les différences de climat et la localisation affectent les attributs comme le rendement du poêle et la production de monoxyde e carbone.

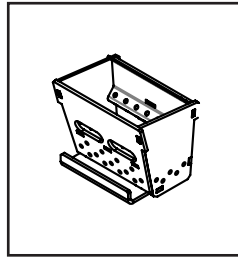
COMMENCER



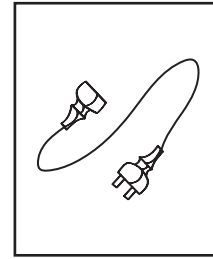
Panneau d'affichage



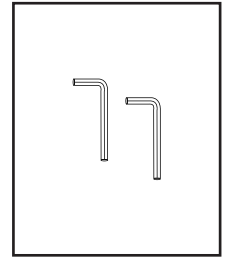
Pot de feu
(NBF66WTS)



Pot de feu (N60WTS &
N130WTS)

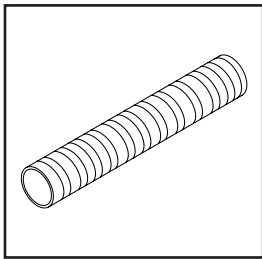


Cordon
d'alimentation
électrique

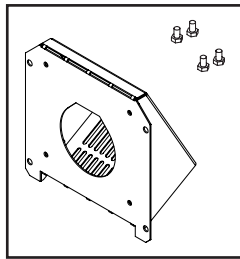


Clés Allen (x2)

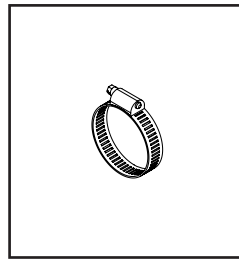
KIT D'ACCESSOIRES



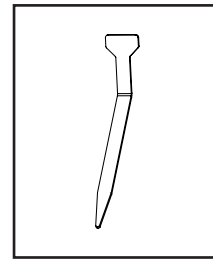
Tuyau flexible



Limite de
terminaison et
Des vis (x4)



Collier de serrage



Outil de nettoyage

CE DONT VOUS AVEZ BESOIN (NON FOURNIS) OUTILS REQUIS

- Ruban à mesurer
- Tournevis Phillips (manuel ou électrique).
- Localisateur de montants
- Fil à plomb
- Scie sauteuse
- Silicone haute température ou scellant haute température ou ruban de conduit de fumée haute température
- Protection de plancher (voir SUPERFICIE DE PLANCHER et MATÉRIAUX DE REVÊTEMENT DE SOL à la page 6)
- Tuyau d'évent de 80 mm (3 po) de diamètre de type « L » ou « PL » portant les sceaux d'enregistrement UL 641, ULC S609 (Norme « Standard for 650 C Factory-Built Chimneys »), ou ULC/ORD C441. Installer selon les instructions du fabricant de cheminée (voir page 9)

ÉQUIPEMENT DE SÉCURITÉ (RECOMMANDÉ)

- Lunettes de sécurité
- Gants
- Chaussures fermées
- Un assistant (le poêle est lourd, ne tentez pas de le déplacer par vous-même).

⚠️ AVERTISSEMENT

- **DANGER D'INGESTION** : Ce produit contient une pile bouton ou une pile mince.
- **UN DÉCÈS** ou des blessures graves peuvent survenir en cas d'ingestion.
- Si avalée, une pile bouton ou une pile mince peut causer des **brûlures chimiques internes** en aussi peu de temps que **2 heures**.
- **GARDER** les piles neuves et épuisées **HORS DE PORTÉE DES ENFANTS**
- **Consulter immédiatement un professionnel de la santé** si vous suspectez qu'une pile a été avalée ou insérée à l'intérieur d'une partie du corps.



INFORMATIONS SUR LA PILE

- Appeler un centre antipoison local pour déterminer les informations de traitement.
- Retirer et disposer immédiatement les piles épuisées conformément aux réglementations locales, et les garder éloignées des enfants. NE PAS disposer les piles dans une poubelle résidentielle, et ne pas les incinérer. Même une pile épuisée peut causer des blessures graves ou un décès.
- Les piles non-rechargeables ne doivent pas être rechargées. Il ne faut pas forcer la décharge, la recharge, il ne faut démonter, ni chauffer à une température supérieure (à la température spécifiée par le fabricant) ni l'incinérer. Cela pourrait causer des blessures en raison de l'évacuation, d'un coulage ou de l'explosion pouvant causer des brûlures chimiques.
- S'assurer que les piles soient installées correctement avec la bonne polarité (+ et -). Ne pas mélanger des piles anciennes avec des piles neuves, ou encore des marques ou des types différents de piles ensemble, comme des piles alcalines, carbone-zinc, ou rechargeables. Retirer et recycler ou jeter immédiatement les piles de l'équipement qui ne sera pas utilisé pendant une longue période de temps, conformément aux réglementations locales.

PRÉCAUTIONS DE SÉCURITÉ

ÉTABLISSEZ UNE RÉACTION DE SURVIE EN CAS D'INCENDIE. COMMUNIQUEZ AVEC LE SERVICE D'INCENDIE LOCAL POUR OBTENIR DES RENSEIGNEMENTS ET UNE PROCÉDURE D'ACTION À PRENDRE EN CAS DE FEU DE CHEMINÉE.

⚠️ AVERTISSEMENT : NE PAS LOCALISER DANS LES CHAMBRES À COUCHER.

⚠️ ATTENTION : MANIPULER LE POÊLE AVEC SOIN. ÉVITER DE LE SOUMETTRE À DES CHOCS OU DE L'ÉGRATIGNER ET DE FERMER BRUSQUEMENT LES PORTES VITRÉES. NE PAS FAIRE FONCTIONNER AVEC UNE OU DES VITRES ÉGRATIGNÉES, FISSURÉES OU BRISÉES.

⚠️ AVERTISSEMENT : BRÛLANT DURANT LE FONCTIONNEMENT. GARDER LES ENFANTS, LES VÊTEMENTS ET L'AMEUBLEMENT ÉLOIGNÉS. LE CONTACT POURRAIT CAUSER DES BRÛLURES.

⚠️ AVERTISSEMENT : NE JAMAIS LAISSER D'ENFANT SANS SURVEILLANCE DANS UNE PIÈCE COMPRENANT UN POÊLE EN FONCTIONNEMENT.

⚠️ AVERTISSEMENT : NE PAS CHAUFFER À BLOC. CHAUFFER LE POÊLE DE FAÇON EXCESSIVE POURRAIT CAUSER UN INCENDIE. SI L'UNITÉ OU LE RACCORD DE CHEMINÉE ROUGIT C'EST QUE LE POÊLE EST CHAUFFÉ DE FAÇON EXCESSIVE.

⚠️ AVERTISSEMENT : CE POÊLE À BOIS A UN TAUX D'ALIMENTATION MINIMUM RÉGLÉ PAR LE FABRICANT QUI NE DOIT PAS ÊTRE MODIFIÉ. IL EST CONTRAIRE À LA RÉGLEMENTATION FÉDÉRALE DE RÉGLER OU DE FAIRE FONCTIONNER CE POÊLE DE FAÇON NON CONFORME AUX INSTRUCTIONS DE FONCTIONNEMENT COMPRISSES DANS CE GUIDE DU PROPRIÉTAIRE.

MONOXYDE DE CARBONE

AVERTISSEMENT :

⚠ SI UTILISÉ SANS COMBUSTIBLE ET AÉRATION ADÉQUATS, CE POÊLE PEUT PRODUIRE UN EXCÈS DE MONOXYDE DE CARBONE, UN GAZ MORTEL SANS ODEUR.

AVERTISSEMENT :

⚠ DES SIGNES AVANT-COUREURS D'EMPOISONNEMENT AU MONOXYDE DE CARBONE SONT UNE RESSEMBLANCE AUX SYMPTÔMES DE LA GRIPPE AVEC CÉPHALÉES, ÉTOURDISSEMENTS ET/OU NAUSÉES. SI VOUS SOUFFREZ DE CES SYMPTÔMES, LE POÊLE POURRAIT EN ÊTRE LA CAUSE EN RAISON DE MAUVAIS FONCTIONNEMENT. OBTENEZ DE L'AIR FRAIS À RESPIRER SUR LE CHAMP! FAITES UN ENTRETIEN DU POÊLE.

CERTAINES PERSONNES - FEMMES ENCEINTES, PERSONNES SOUFFRANT DE PROBLÈMES CARDIAQUES OU DE MALADIES, D'ANÉMIE, CELLES EN ÉTAT D'ÉBRIÉTÉ OU PERSONNES SE TROUVANT EN RÉGION MONTAGNEUSE TRÈS ÉLEVÉE - SONT PLUS SUJETTES À ÊTRE AFFECTÉES PAR LE MONOXYDE DE CARBONE QUE LES AUTRES PERSONNES.

Peu importe le niveau de sécurité intrinsèque de ce poêle, tous les appareils consommant un carburant créent du monoxyde de carbone. Il est toujours bon de prévenir autant que possible les dangers pouvant vous affecter ainsi que votre entourage en installant un détecteur de monoxyde de carbone. Il est recommandé d'installer un détecteur dans les aires susceptibles de générer du monoxyde de carbone comme là où se trouve un poêle ou l'aire d'entreposage des grenailles ou bien les hangars chauffés par système hydronique. Suivez les instructions de montage, de fonctionnement et d'entretien fournies par le fabricant de votre détecteur.

DÉTECTEURS DE FUMÉE

Installez au moins 1 détecteur de fumée à chaque niveau de votre demeure. Suivez les instructions de montage, de fonctionnement et d'entretien fournies par le fabricant de votre détecteur. Évitez les fausses alarmes en plaçant le détecteur hors de l'emplacement immédiat du poêle. Généralement, un bon endroit pour installer les détecteurs de fumée est près des chambres à coucher.

POUR PLUS D'INFORMATION DE SÉCURITÉ

Pour des renseignements supplémentaires concernant la sécurité de fonctionnement des poêles à grenailles de bois, communiquez avec la NFPA (National Fire Protection Association), par la poste, à :

NFPA, Batterymarch Park, Quincy, MA 02269, U.S.A.

ou visitez le site Web de la NFPA :

<https://www.nfpa.org/>

DISTANCES DE DÉGAGEMENT DES MATÉRIAUX COMBUSTIBLES

Les distances de dégagement indiquées ci-dessous représentent les dégagements minimum entre le poêle et tout autre objet. Aucun objet ne devrait se trouver dans cet espace. Ceux-ci comprennent, sans s'y limiter, les tapis, meubles, enfants, animaux domestiques, vêtements, carburant ou tout autre objet. Ces distances ne pourront seulement être réduites que par les autorités ayant juridiction.

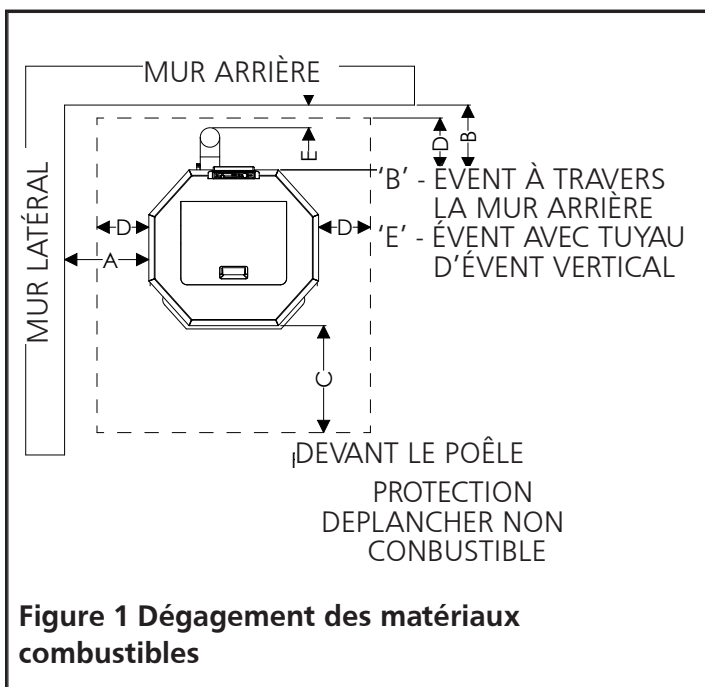


Figure 1 Dégagement des matériaux combustibles

	ÉTATS-UNIS	CANADA
A	330 mm (13 po)	330 mm (13 po)
B	51 mm (2 po)	51 mm (2 po)
C	457 mm (18 po)	457 mm (18 po)
D	203 mm (8 po)	203 mm (8 po)
E	76 mm (3 po)	76 mm (3 po)

SUPERFICIE DE PLANCHER ET DÉGAGEMENTS

Lorsqu'installé sur un plancher combustible, une protection non combustible est requise pour :

- Couvrir l'aire sous le poêle en se prolongeant d'au moins 457 mm (18 po) sur le devant;
- Couvrir la surface sur les côtés du poêle sur au moins 203 mm (8 po);
- Couvrir l'aire sous le tuyau d'échappement en excédant cette aire par une couverture de 51 mm (2 po) sur les côtés.

De plus, le poêle à grenailles de bois devra être positionné de sorte :

- Qu'il y ait un dégagement minimum de 330 mm (13 po) de chaque côté de l'appareil.
- Qu'il y ait un dégagement minimum de 51 mm (2 po) à l'arrière de l'appareil.
- Que le tuyau d'échappement vertical soit dégagé d'au moins 76 mm (3 po) de tout mur.

Finalement, la pièce dans laquelle le poêle à grenailles de bois est installé devra avoir une hauteur de plafond d'au moins 2 134 mm (84 po)

MATÉRIAUX DE REVÊTEMENT DE SOL

La protection de plancher devra avoir toutes les caractéristiques suivantes :

- Enregistrement UL-1618

- Au moins 13 mm (0,5 po) d'épaisseur

- Faite de matériau non combustible

- Avoir soit :

Une valeur de résistance thermique R de $1,19 \frac{(\text{pi}^2)(\text{h})(^\circ\text{F})}{\text{Btu}}$

Une valeur de conductivité thermique k de $0,84 \frac{(\text{Btu})(\text{po})}{(\text{pi}^2)(\text{h})(^\circ\text{F})}$

Comme assistance pour évaluer l'acceptabilité de matériaux substitués, les équivalences de spécifications et exemples ci-dessous vous sont fournis.

Conductivité thermique k = $\frac{\text{épaisseur}}{R} \left(\frac{(\text{Btu})(\text{po})}{(\text{pi}^2)(\text{h})(^\circ\text{F})} \text{ ou } \frac{\text{W}}{(\text{m})(^\circ\text{K})} \right)$

Conductance thermique C = $\frac{1}{R} \left(\frac{(\text{Btu})}{(\text{pi}^2)(\text{h})(^\circ\text{F})} \text{ ou } \frac{\text{W}}{(\text{m}^2)(^\circ\text{K})} \right)$

Exemple : Requis pour protéger le plancher avec une valeur R de $1,19 \frac{(\text{pi}^2)(\text{h})(^\circ\text{F})}{\text{Btu}}$.

Évaluation du mérite de briques de 57 mm (2 po) d'épaisseur de conductivité thermique k de $4,16 \frac{(\text{Btu})(\text{po})}{(\text{pi}^2)(\text{h})(^\circ\text{F})}$

sur une couche de panneau minéralisé de 6,3 mm (po) ayant une valeur C de $2,3 \frac{(\text{Btu})}{(\text{pi}^2)(\text{h})(^\circ\text{F})}$.

Étape 1. Calculez la valeur R de chaque matériau du plancher

$$R_{\text{BRIQUE}} = \frac{\text{épaisseur}}{k} = \frac{2,25}{4,16} = 0,54$$

$$R_{\text{PANNEAU}} = \frac{1}{C} = \frac{1}{2,3} = 0,434$$

Étape 2. Ajoutez les valeurs R équivalentes pour chaque matériau du plancher

$$R_{\text{BRIQUE}} + R_{\text{PANNEAU}} = 0,54 + 0,434 = 0,974$$

Étape 3. Cette valeur R combinée est **insuffisante** donc plus de protection doit être installée. Par exemple, en plaçant deux couches de briques :

$$R_{\text{BRIQUE}} + R_{\text{BRIQUE}} + R_{\text{PANNEAU}} = 0,54 + 0,54 + 0,434 = 1,514$$

Étape 4. Puisque cette valeur R combinée est plus grande que la spécification requise, ce montage sera suffisant pour protéger le plancher sous le poêle.

DÉBALLAGE

1. Sortir le poêle du carton d'emballage.
2. Retirer tout le matériel protecteur placé sur le poêle pour l'expédition.
3. Inspecter le poêle pour détecter tout dommage d'expédition. Si des dommages sont détectés, appelez le fabricant sur le champ-au 1-866-740-2497/1-800-251-0001.

⚠ ATTENTION : TOUTE PIÈCE ENDOMMAGÉE POURRAIT COMPROMETTRE LE FONCTIONNEMENT SÉCURITAIRE.

- **NE PAS INSTALLER DES COMPOSANTS INCOMPLETS.**
- **NE PAS INSTALLER DES COMPOSANTS SUBSTITUÉS.**
- **NE PAS INSTALLER DES COMPOSANTS ENDOMMAGÉS.**

4. Pour assurer la sécurité de certaines pièces délicates, celles-ci sont emballées séparément. Veuillez les localiser, vraisemblablement à l'intérieur de l'appareil pour procéder à leur assemblage.

ASSEMBLAGE

Étape 1 - Panneau d'affichage

Insérer le panneau d'affichage à l'arrière du dessus du poêle. Assurez-vous de sa bonne orientation pour lecture à partir du devant du poêle. Fixez l'afficheur à l'aide des deux vis fournies.

Étape 2 - Câble d'alimentation de l'afficheur

Ce câble devrait être enroulé sous le couvercle du poêle. Insérez l'extrémité libre dans le dos du panneau d'affichage (voir figure 16 à la page 15). Ce câble devrait déjà être connecté à la carte d'alimentation du poêle. Vous pouvez vérifier cette connexion derrière la plaque d'accès à l'arrière du poêle.

Étape 3 - Cordon d'alimentation électrique

Le cordon d'alimentation se branche dans la prise à l'arrière du poêle. Après tout assemblage requis du panneau d'affichage, vous pouvez brancher votre poêle temporairement pour vous assurer du fonctionnement de l'afficheur avant de continuer l'installation. Après avoir confirmé le fonctionnement de l'afficheur, éteignez et débranchez le cordon électrique.

⚠ ATTENTION : NE PAS LAISSER LE POÊLE BRANCHÉ DANS LA PRISE ÉLECTRIQUE DURANT L'ASSEMBLAGE OU LE MONTAGE.

Étape 4 - Pot de combustion

En l'absence de toute alimentation électrique, le pot de combustion devrait être inséré adéquatement dans le poêle pour que l'allumeur puisse entrer en contact avec les grenailles. Voir figure 2 ou 3.

INSTALLATION

INFORMATION DE CONTACT

Pour toute question concernant les options de ventilation de votre poêle, veuillez contacter soit :

Le fabricant Mr. Heater Company à 1-866-740-2497/1-800-251-0001 • Fins de semaine/après les heures d'ouverture 423-488-6316 • grandtetoncollection.com. Nos heures de bureau sont de 8:00 h à 17:00 h, HNE, du lundi au vendredi..

NFPA (National Fire Protection Association) et demander un exemplaire de la dernière édition de la publication NFPA Standard 211. L'adresse postale de la NFPA est Batterymarch Park, Quincy, MA 02269 U.S.A.

⚠ AVERTISSEMENT : SI CE POÊLE N'EST PAS BIEN INSTALLÉ, IL POURRAIT EN RÉSULTER UN INCENDIE DE DOMICILE. POUR MINIMISER LE DANGER D'INCENDIE, SUIVRE LES DIRECTIVES D'INSTALLATION. CONTACTER LES AUTORITÉS DU CODE DE LA CONSTRUCTION OU LE SERVICE D'INCENDIE POUR CONNAÎTRE LES RESTRICTIONS ET LES INSPECTIONS D'APPROBATION REQUISES DANS VOTRE RÉGION.

⚠ ATTENTION : TOUT ÉCART OU MODIFICATION DE CES DIRECTIVES POURRAIT RÉSULTER EN DES BLESSURES OU DES DOMMAGES AU POÊLE, À LA CHEMINÉE ET À VOTRE DEMEURE. LA GARANTIE POURRAIT ÊTRE ANNULÉE. LIRE ET SUIVRE TOUTES LES INSTRUCTIONS. Pour toute préoccupation, question ou commentaire, communiquez avec Mr. Heater.

⚠ ATTENTION : CONTACTER LES AUTORITÉS DU CODE DE LA CONSTRUCTION OU LE SERVICE D'INCENDIE POUR CONNAÎTRE LES RESTRICTIONS ET LES INSPECTIONS D'APPROBATION REQUISES DANS VOTRE RÉGION.

PLANIFICATION

Assurez-vous que vous avez sélectionné le bon poêle pour vos besoins en consultant le tableau de spécifications à la page 3.

Prenez les mesures de vos quartiers et planifiez votre système de cheminée selon les instructions détaillées ci-dessous.

Ce poêle à grenailles peut être installé dans une maison mobile. En plus des instructions ci-dessous, passez en revue et respectez les exigences obligatoires à la page 12.

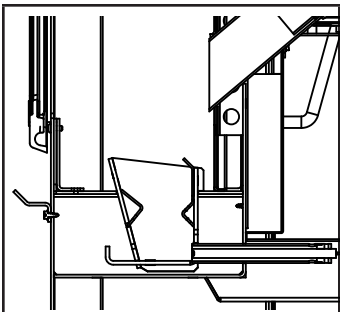


Figure 2 Pot de combustion N60WTS et N130WTS

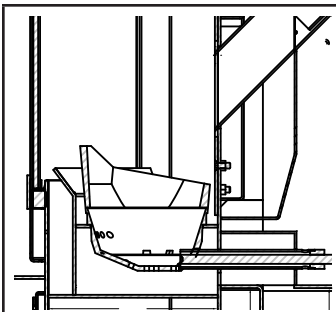
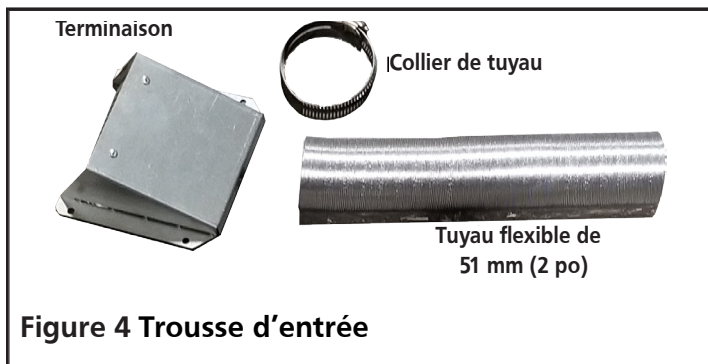


Figure 3 Pot de combustion NBF66WTS

Une trousse de nettoyage est également emballée, ce qui facilitera le nettoyage de débris des perforations du pot.

Étape 5 - Trousse d'entrée d'air

Localisez la trousse d'entrée d'air expédiée avec le poêle. Voir Figure 4. Mesurez votre pièce et planifiez l'installation de l'évent horizontal pouvant être requis selon les recommandations indiquées dans EXIGENCES D'AIR FRAIS ET D'AÉRATION on page 8. Respectez toutes les exigences d'aération et suivez les directives indiquées dans INSTALLATION on page 8.



Assemblage supplémentaire N60WTS, N130WTS

- Poignée de porte : ouvrez la porte et vissez l'emprise plastifiée dans les filets de la poignée.

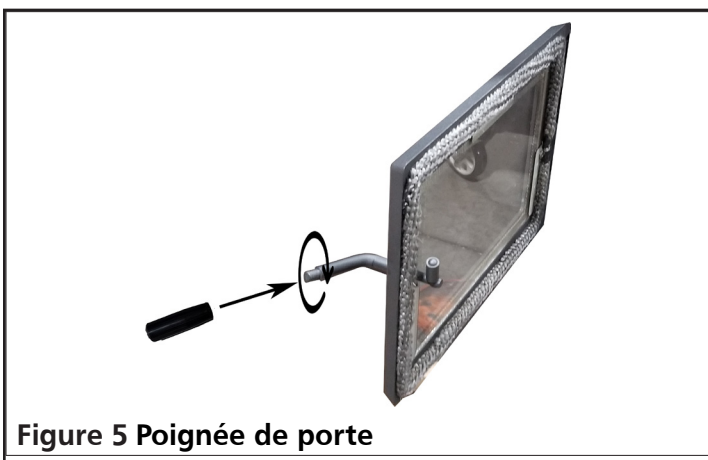


Figure 5 Poignée de porte

CONSIDÉRATIONS ÉLECTRIQUES

Une prise électrique devra être disponible à environ 2 m (6,5 pi) sur le mur derrière le poêle. Placer le cordon d'alimentation de façon qu'il ne vienne en contact avec la surface du poêle.

EXIGENCES D'AIR FRAIS ET D'AÉRATION

Lorsque vous décidez de la localisation du poêle, assurez-vous que l'aire sera toujours approvisionnée d'air frais. Un manque d'air pourrait appauvrir tous les appareils à combustion de vos quartiers et possiblement causer une condition dangereuse.

L'approvisionnement d'air de combustion de l'extérieur pourrait être nécessaire pour garantir que les appareils à combustion ne créent pas d'émanations dangereuses à l'intérieur. Le guide pour déterminer le besoin d'air de combustion supplémentaire pourrait ne pas être exact dans toutes les situations. En cas de doute, nous conseillons d'amener un approvisionnement d'air supplémentaire. De l'air de combustion extérieur pourrait être requis si les indications ci-dessous, ou d'autres indications, suggèrent que l'apport d'air est insuffisant :

- Le poêle à grenailles de bois n'aspire pas de façon constante et produit des bouffées de fumée, les grenailles ne brûlent pas facilement et le tirage de la cheminée s'inverse lors de combustion ou non.
- Autre équipement de combustion dans la maison, tel un foyer ouvert ou autre appareil de combustion dégageant odeur de combustion ou ne fonctionnant pas adéquatement, dégage de la fumée dans la pièce lorsqu'ouvert pour chargement ou soumis à un tirage inverse de cheminée lors de combustion ou non.
- Si n'importe lequel des symptômes ci-dessus se redresse lors de journées non venteuses ou en ouvrant une fenêtre légèrement.
- La maison est très étanche avec pare-vapeur et fenêtres bien scellées ou possède des dispositifs d'expulsion d'air intérieur.
- Une condensation excessive se produit dans les fenêtres en hiver.
- Un système d'aération est installé sur la maison.

De l'air de combustion supplémentaire pourrait être approvisionné au poêle à grenailles de bois directement de l'extérieur par l'entremise de la trousse d'entrée d'air comprise pour se connecter à l'entrée d'air en bas à l'arrière du poêle. Toute installation de la sorte devra satisfaire la Clause 4 de la norme B365 de la CSA.

⚠ ATTENTION : NE JAMAIS ASPIRER D'AIR DE COMBUSTION DU :

- PLÉNUM D'AIR DES MURS, DU PLANCHER ET DU PLAFOND.
- D'UN ESPACE CLOS TEL UN GRENIER, UN VIDE SANITAIRE OU UN GARAGE.

⚠ ATTENTION : SI UN TUYAU D'ENTRÉE D'AIR EST RACCORDÉ, ALORS LE POÊLE DEVRA ÊTRE FIXÉ À LA STRUCTURE DE LA MAISON.

EXIGENCES D'ÉVACUATION ADDITIONNELLE

Un minimum de 1,8 m (6 pi) de tuyau d'évent (n'incluant pas les coudes) doit être utilisé.

- Utiliser un tuyau d'évent de 8 cm (3 po) pour le système en entier, OU il est possible d'utiliser un adaptateur de 10/15 cm (4 ou 6 po) sur l'évacuation, immédiatement là où elle quitte le poêle.
- Si le système a plus de 4,9 m (16 pi), utiliser un tuyau d'évent de 10 cm (4 po).
- La longueur minimale du conduit vertical est de 1,2 m (4 pi), et un coude à 45 degrés/chapeau de cheminée est requis sur la terminaison de l'évacuation.

IMPORTANT: Un scellant à la silicone doit être ajouté entre les doubles parois d'un conduit terminal.

EXIGENCES ET ASSEMBLAGE DES RACCORDS

⚠ ATTENTION : LE TUYAU DE RACCORDEMENT DE CHEMINÉE NE DOIT PAS TRAVERSER LE GRENIER OU LE TOIT, OU TOUT GARDE-ROBE OU ARMOIRE (OU AUTRE ESPACE CLOS) NI LE PLANCHER OU LE PLAFOND. POUR LE RACCORDEMENT D'APPAREILS DE CHAUFFAGE À COMBUSTIBLE SOLIDE À TRAVERS UN MUR OU PARTITION DE MATÉRIAU COMBUSTIBLE, L'INSTALLATION DEVRA ÊTRE CONFORME À LA NORME CAN/CSA-B365.

Tous les tuyaux et coudes devraient être installés avec l'extrémité à sertir vers le poêle (et non vers la sortie de la cheminée) et devraient être fixés avec trois vis à métal réparties également sur la circonférence.

Les raccords, coudes et sections de cheminée devraient être de type « L » ou « PL » et de diamètre de 80 mm (3 po) puisque le système d'aspiration est basé sur une pression négative dans la chambre à combustion et une légère surpression à la sortie des gaz. Il sera donc important que le raccordement de la tuyauterie soit bien ajusté et scellé. Nous recommandons que la tuyauterie des raccords, des coudes et de la cheminée soient de type B pour aération à double paroi et de calibre minimum n°24.

Veillez noter que les coudes dans le système d'échappement réduisent le débit d'air, diminuant la performance et qu'ils offrent un point d'accumulation de dépôts de cendre nécessitant un nettoyage plus fréquent.

⚠ ATTENTION : LES JONCTIONS DE TOUS LES TUYAUX DE RACCORDEMENT DE SYSTÈME D'AÉRATION (CANALISATION OPTIONNELLE D'ENTRÉE D'AIR OU ÉCHAPPEMENT DE COMBUSTION) DEVRONT ÊTRE SCÉLÉES À L'AIDE DE SILICONE RÉSISTANT AUX TEMPÉRATURES ÉLEVÉES.

EXIGENCES GÉNÉRALES D'AÉRATION

⚠ ATTENTION : NE RACCORDER À AUCUNE CANALISATION OU SYSTÈME DE DISTRIBUTION D'AIR.

⚠ ATTENTION : NE PAS RACCORDER CETTE UNITÉ À UNE CHEMINÉE CONNECTÉE À UN AUTRE APPAREIL.

⚠ ATTENTION : NE PAS INSTALLER DE REGISTRE DE TIRAGE À CLAPET DANS LE TUYAU D'ÉCHAPPEMENT DE CE POÊLE À GRENAILLES DE BOIS.

⚠ ATTENTION : NE PAS INSTALLER DANS UN FOYER.

Ce poêle à grenailles de bois doit être connecté à une cheminée portant l'une ou l'autre des homologations suivantes :

- Enregistrement de classe A conforme aux exigences du type HT de la norme UL 103 (Standard for Chimneys, Factory-Built, Residential Type and Building Heating Appliance)
- Cheminée de maçonnerie certifiée ICBO (International Conference of Building Officials) pour les poêles à combustible solide.

CAPUCHON D'ÉVENT

- Installer l'évent d'échappement en respectant les distances de dégagement spécifiées par le fabricant.
- Installer le capuchon d'évent d'échappement en respectant les distances de dégagement spécifiées par le fabricant.
- Si vous utilisez la trousse d'entrée d'air, assurez-vous qu'il y ait au moins 30 cm (12 po) de dégagement entre le capuchon d'évent et la bouche d'entrée d'air.

- Il est aussi recommandé de garder au moins 30 cm (12 po) de dégagement entre la sortie d'évent et les fenêtres, portes ou coins de murs extérieurs.
- Les endroits traversés vers l'extérieur par la cheminée ou d'autres composants devront être scellés à la silicone.
- Pour confirmer que toutes les exigences sont respectées, se référer aux codes locaux.

Les cheminées verticales devront répondre aux exigences minimales suivantes :

- Longueur minimum de 4,6 m (15 pi) mesuré du dessus du poêle jusqu'au dessus du capuchon de la cheminée.
- Si le faite du toit se trouve à une distance verticale de moins de 305 cm (10 pi) du point de sortie de la cheminée, le dessus de son capuchon devra dépasser le plus haut point du toit de d'au moins 61 cm (2 pi).
- La longueur de la cheminée dépassant le toit doit être d'un minimum de 91 cm (3 pi).

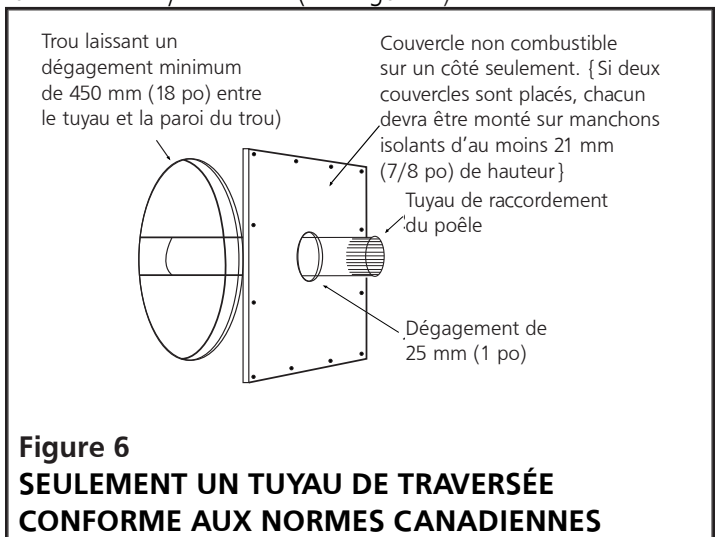
Les cheminées horizontales devront répondre aux exigences minimales suivantes :

- Être à une hauteur d'au moins 30 cm (12 po) au dessus du sol ou autres obstructions (patio, balcon, véranda ou bosquet de végétation).

TRAVERSÉE DE MUR

Lorsque le passage à travers un mur ou une partition de matériau inflammable est requis, le montage devra se conformer aux directives du fabricant.

REMARQUE : Au Canada, l'installation devra être conforme à la norme CAN/CSA-B365 (voir figure 6).



EXIGENCES SUPPLÉMENTAIRES POUR MAISONS MOBILES

⚠ AVERTISSEMENT : NE PAS LOCALISER DANS LES CHAMBRES À COUCHER.

PIÈCES ET MATÉRIAUX REQUIS (NON FOURNIS)

- Une cheminée de diamètre de 80 mm (3 po) conforme à la norme UL-103 (Standard for Factory-Built Chimneys for Residential Type and Building Heating Appliances).

TECHNIQUES DE TRAVERSÉE DE MUR APPROUVÉES NFPA 211 (É-U SEULEMENT)

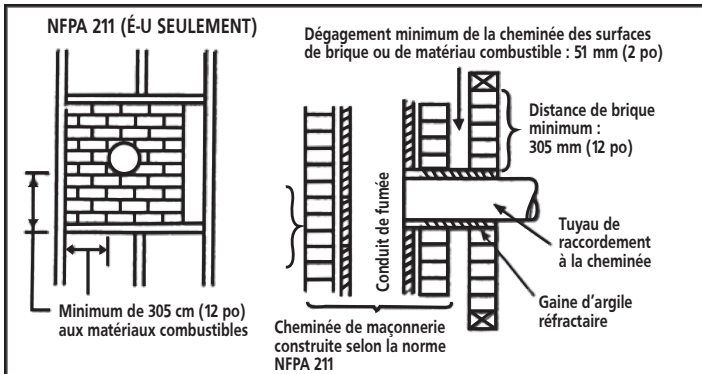


Figure 7 (É-U SEULEMENT)

Maçonnerie de brique : Maçonnerie de briques de 89 mm (3,5 po) d'épaisseur compris dans un mur de matériau combustible avec une séparation de brique d'un minimum de 305 mm (12 po) de la gaine d'argile aux matériaux combustibles. La gaine d'argile réfractaire devra couvrir l'étendue entre la surface extérieure du mur de brique jusqu'à atteindre la surface intérieure du conduit de cheminée, sans y pénétrer, et devra être bien cimentée en place.

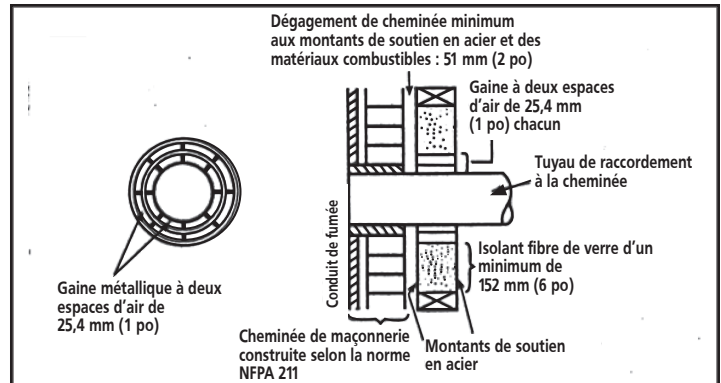


Figure 9 (É-U SEULEMENT)

Gaine à espaces d'air : Tuyau de raccordement à la cheminée d'épaisseur minimale de calibre n° 24 avec gaine métallique de calibre minimal n° 24 à deux espaces d'air de 25,4 mm (1 po) isolée des matériaux combustibles par au moins 152 mm (6 po) de fibre de verre. L'ouverture devra être recouverte et la gaine supportée par des montants d'acier de calibre minimum n° 24.

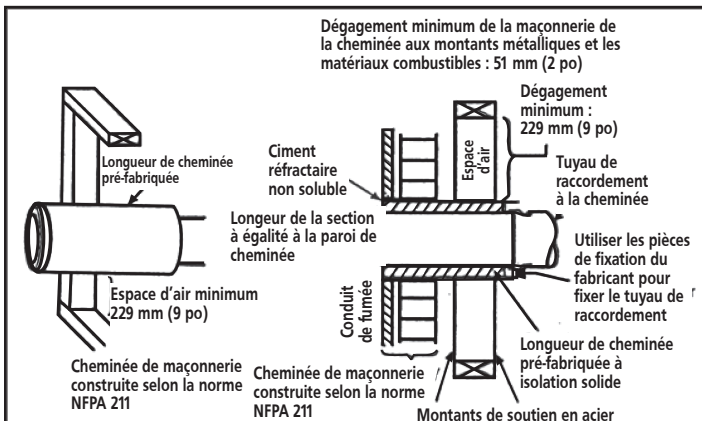


Figure 8 (É-U SEULEMENT)

Manchon isolé : Longueur de cheminée pré-fabriquée avec isolant solide de diamètre interne identique au raccord de sortie du poêle et 25,4 mm (1 po) ou plus d'isolant montée avec un minimum de 229 mm (9 po) d'espace d'air entre la paroi extérieure de celle-ci et des matériaux combustibles.

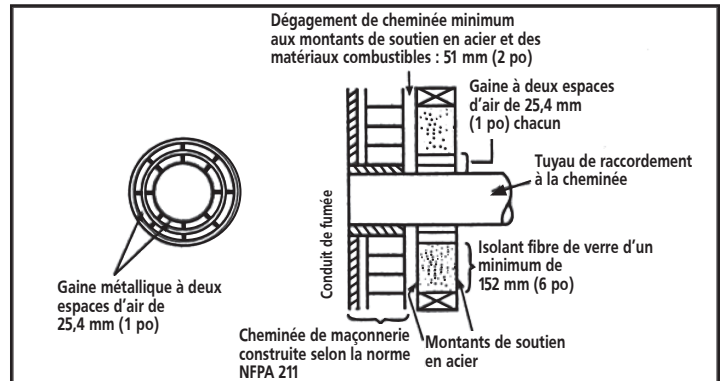


Figure 10 (É-U SEULEMENT)

Section de cheminée comme traversée : Longueur de cheminée pré-fabriquée à isolation solide d'au moins 25,4 mm (1 po) d'épaisseur ayant un diamètre intérieur 51 mm (2 po) plus grand que le tuyau de raccordement de tôle de calibre minimum n° 24 et dont tout matériau combustible se trouve à au moins 51 mm (2 po) de la paroi extérieure de la section de cheminée. La longueur minimale de la section de cheminée devra être de 305 mm (12 po) supportée par des montants métalliques à une hauteur laissant 25,4 mm (1 po) de dégagement autour du tuyau de raccordement. L'ouverture devra être recouverte et la section de cheminée supportée et fixée à deux montants d'acier de calibre minimum n° 24. La quincaillerie de fixation de la section de cheminée ne doit pas perforer sa paroi interne.

- Gaine aérée de plafond adéquate pour utilisation dans les maisons mobiles.
- Gaine aérée de toit adéquate pour utilisation dans les maisons mobiles.
- Parafoudre adéquat pour utilisation dans les maisons mobiles.
- Solin de toit adéquat pour utilisation sur les maisons mobiles.

EXIGENCES D'INSTALLATION SUPPLÉMENTAIRES

- La cheminée devra être directement attachée à l'appareil de chauffage et devra dépasser le toit traversé d'au moins 0,9 m (3 pi).
- Le dessus de la cheminée devra dépasser d'au moins 0,6 m (2 pi) tout objet élevé dans un rayon de 3 m (10 pi) de la cheminée.
- Les sections d'extrémité de la cheminée devront pouvoir être démontées jusqu'à une hauteur de 4,1 m (13,5 pi) au-dessus du sol sans nécessiter d'équipement particulier.
- Le montage de la cheminée devra être sécurisé par une fixation mécanique au support du toit et du plafond.
- Exigences de gardes protectrices de cheminée :
 - Lorsque la cheminée sort de la maison mobile à un endroit autre qu'à travers le toit à une hauteur de moins de 2,1 m (7 pi) au-dessus du sol, une garde protectrice entourant la cheminée devra être installée sur toute la longueur de la cheminée en-dessous de 2,1 m (7,pi).
 - La garde protectrice ne devra pas comporter d'ouverture pouvant laisser pénétrer tout objet de diamètre de 19 mm (3/4 po) ou plus.
 - La garde protectrice ne devra pas comporter d'ouverture pouvant laisser pénétrer tout objet de diamètre de 16 mm (1/2 po) ou moins à plus de 102 mm (4 po) à l'intérieur.
- Le poêle doit être monté sur un plancher pouvant supporter son poids.
- Le poêle devra être boulonné à la surface au niveau de façon permanente pour ne pas qu'il puisse être déplacé, être basculé ou placé de façon compromettant une aération adéquate.
- Une canalisation permanente d'admission d'air frais pour entretenir la combustion devra être installée en répondant aux exigences suivantes :
 - La canalisation devra être totalement métallique sans comporter d'autre matériau tel le plastique.
 - Son extrémité devra posséder un grillage prévenant la vermine de s'y infiltrer.

- La bouche d'entrée devra être libre en tout temps de feuilles, neige, glace ou autre débris pouvant restreindre l'alimentation d'air pour un fonctionnement adéquat de l'appareil.
- Les jonctions de tous les tuyaux de raccordement des deux systèmes d'aération (l'entrée et l'évacuation d'air) devront être scellées à l'aide de silicone résistant aux températures élevées.
- La cheminée devra être conforme à tous les codes applicables et exigences des autorités ayant juridiction.
- Si la maison mobile doit être déplacée, la cheminée devra être déposée et reposée selon les codes locaux à sa destination.

Le système du conduit de fumée est basé sur une pression négative dans la chambre à combustion et une légère surpression à la sortie des gaz. Il sera donc important que le raccordement de la tuyauterie soit bien ajusté et scellé.

⚠ ATTENTION : L'INTÉGRITÉ STRUCTURELLE DU PLANCHER, DES MURS, DU PLAFOND ET DU TOIT DEVRA ÊTRE MAINTENUE.

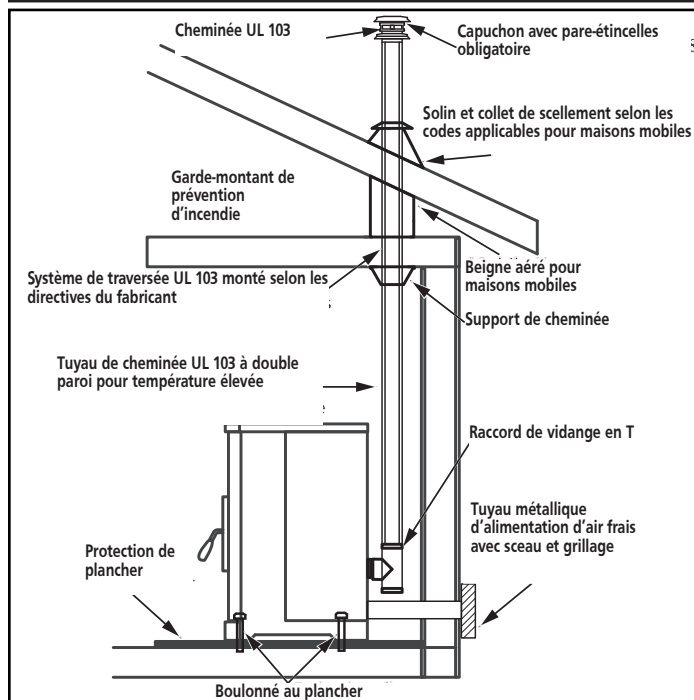


Figure 11 Cheminée verticale de maison mobile

INSTRUCTIONS ET SCHÉMA DE CHEMINÉE DE MAÇONNERIE AVEC CONDUIT DE FUMÉE

Ce poêle est conçu pour une évacuation par une cheminée de maçonnerie conforme au code du bâtiment et code des incendies locaux ainsi qu'aux dernières éditions des normes NFPA 211 aux États-Unis ou CSA-B365 au Canada.

1. Si la tuyauterie de raccordement du poêle à la cheminée de maçonnerie est faite à travers un mur de matériau combustible, consultez un maçon qualifié ou un dépositaire de cheminée pour des

conseils. Pour garantir la sécurité de l'installation, celle-ci devrait seulement être faite par un installateur qualifié. L'installation devra être faite en conformité aux règlements établis et aux codes du bâtiment et des incendies locaux.

2. Le tuyau de raccordement à la cheminée ne devra pas causer obstruction à l'intérieur du conduit de fumée comme montré à la figure 12 ci-dessous.

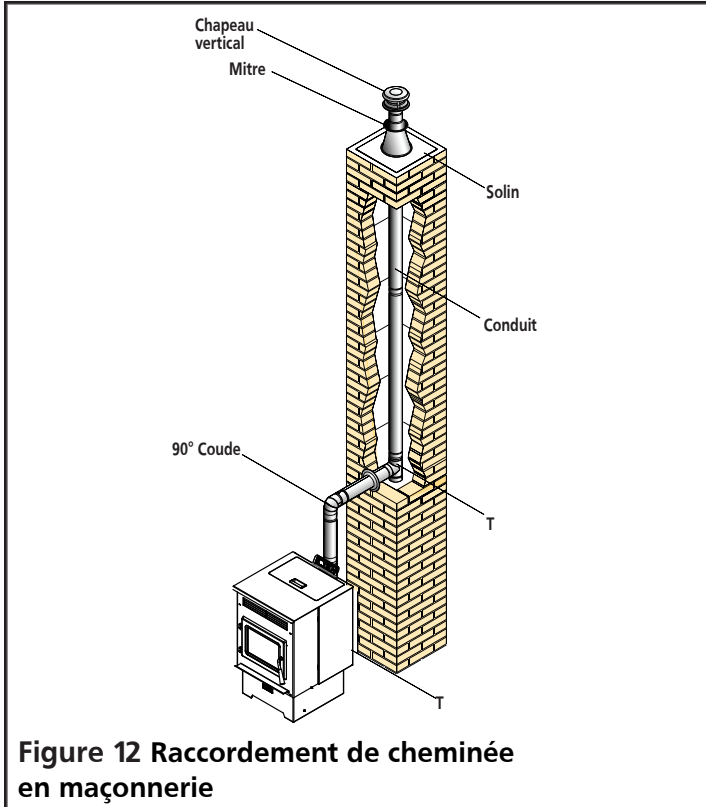


Figure 12 Raccordement de cheminée en maçonnerie

3. Toute ouverture à la base de la cheminée devra être fermée de façon étanche.

INSTRUCTIONS ET SCHÉMA DE CHEMINÉE PRÉFABRIQUÉE

⚠ AVERTISSEMENT : NE PAS SE SERVIR D'UN TUYAU DE POÊLE À PAROI UNIQUE COMME CHEMINÉE.

Ce poêle est conçu pour être utilisé soit avec une cheminée pré-fabriquée possédant un enregistrement UL 103HT (aux États-Unis) ou ULC-S629 (au Canada) ou avec une cheminée de maçonnerie avec conduit de fumée approuvée. Les cheminées pré-fabriquées ne sont pas toutes enregistrées UL103 HT/ULC-S629. Les centres de rénovation domiciliaires, les quincailleries et les magasins de fournitures CVCA ainsi que les sites Web de fabricants de cheminées pourront vous fournir des tuyaux de poêle isolés répondant à ces normes.

Cet enregistrement indique que ces produits sont conçus pour une température élevée jusqu'à 1 149 C (2 100 F).

N'assembler que des sections provenant du même fabricant. Ne pas utiliser des sections de différentes marques dans un même système d'aération.

Les illustrations ci-dessous montrent différentes méthodes et exigences d'utilisation de cheminée pré-fabriquée et des tuyaux de raccordement au poêle.

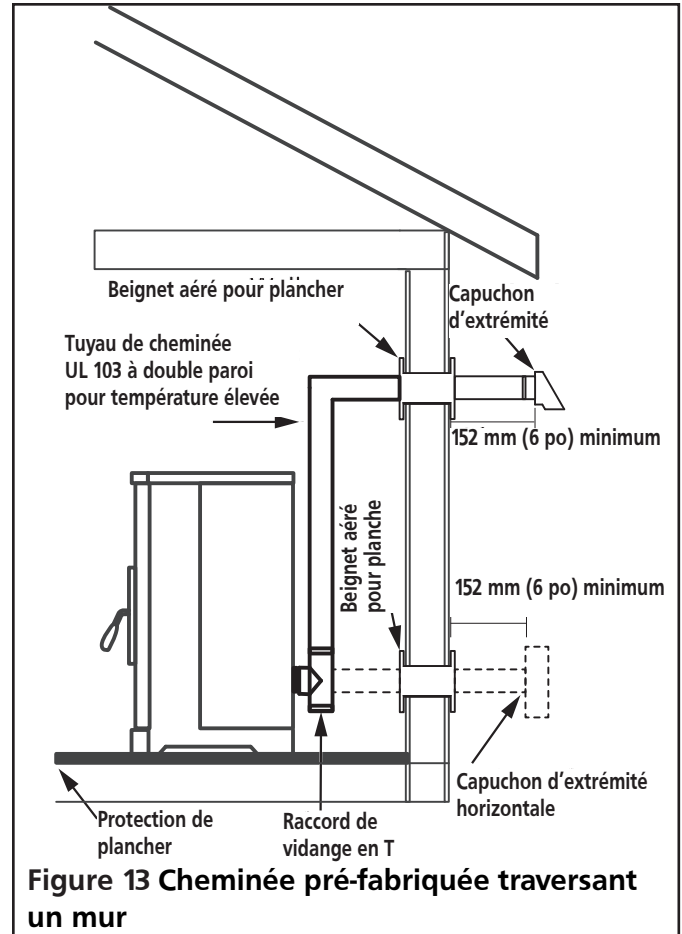


Figure 13 Cheminée pré-fabriquée traversant un mur

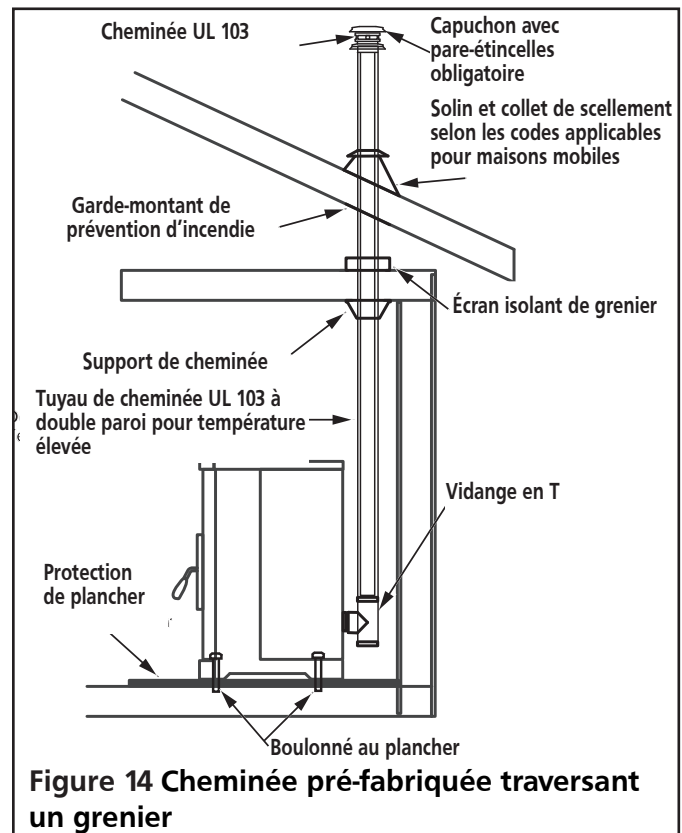
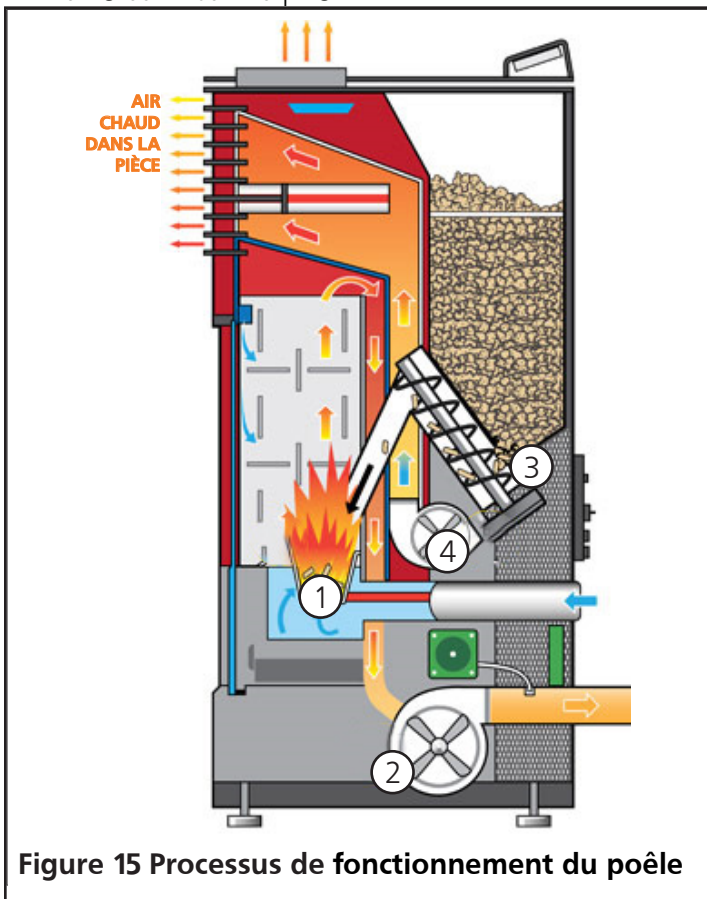


Figure 14 Cheminée pré-fabriquée traversant un grenier

FONCTIONNEMENT

THÉORIE DE FONCTIONNEMENT

1. La combustion se produit dans le pot du poêle qui est alimenté en air par des trous en périphérie et en-dessous de celui-ci. Veuillez noter que de l'air est soufflé par le dessus de la chambre de combustion, prévenant l'accumulation de cendre et de débris sur la porte.
2. Le ventilateur d'échappement aspire les produits consommés volatils et les expulse par la tuyauterie de sortie installée par l'utilisateur.
3. La tarière transfère les grenailles de la trémie au pot de combustion pour alimenter le feu.
4. Un ventilateur de l'appareil à convection fait circuler l'air sur les parois externes du pot à combustion propageant l'air chauffé dans la pièce.



COMBUSTIBLE APPROUVÉ :

Ne pas utiliser de grenailles de qualité inférieure à la première qualité PFI. Les grenailles de bois franc naturelles à 100 % (non traitées, sans agent agglomérant et d'un maximum de 5 % d'écorce) sont le seul combustible approuvé pour utilisation avec ce poêle. Pour un rendement maximum, voir les spécifications ci-dessous :

- Valeur calorifique de 5,3 kWh/kg
- Densité de 700 kg/m³
- Les grenailles devraient être à faible production de cendre (moins de 1 %)
- Les grenailles devraient être de moins de 30 mm de long et de diamètre entre 5 et 6,5 mm.

- Ne pas utiliser les sédiments et débris au fond des contenants de grenailles.
- Entreposer les grenailles dans des sacs à deux ou trois couches de papier (comme ceux des sacs de ciment) ou faits de produits synthétiques biologiquement dégradables et neutres au point de vue environnemental.

L'utilisation de grenailles de bois non conformes à ces spécifications pourrait résulter en des problèmes d'allumage, une plus grande production de crésote ou l'accumulation de cendres volatiles, de combustion incomplète, une faible production de chaleur et le noircissement de la porte vitrée.

⚠ ATTENTION : NE PAS SE SERVIR DE PRODUITS CHIMIQUES OU DE LIQUIDES POUR DÉMARRER LA COMBUSTION.

⚠ ATTENTION : NE PAS INSÉRER DE DÉCHETS OU DE PRODUITS INFLAMMABLES TEL L'ESSENCE, LE NAPHTA OU DE L'HUILE À MOTEUR DANS LE POT DE COMBUSTION.

⚠ ATTENTION : NE JAMAIS TENTER D'UTILISER UN DES PRODUITS ÉNUMÉRÉS CI-DESSOUS COMME COMBUSTIBLE :

- Produits du papier, carton ou panneau de particules;
- Déchets;
- Carcasses ou fumier d'animaux;
- Résidus de tonte de gazon ou déchets de cultures;
- Produits du pétrole usés;
- Charbon;
- Débris de construction ou de démolition;
- Traverses de chemin de fer ou bois traité sous pression;
- Matériaux comprenant
 - amiante
 - plastic
 - caoutchouc (pneus compris)
- Produits du pétrole tel
 - peintures
 - solvants à peinture
 - produits d'asphalte

BRÛLER CES MATÉRIELS POURRAIT CRÉER DES ÉMANATIONS TOXIQUES OU RENDRE LE POÊLE INUTILISABLE ET DÉGAGER DE LA FUMÉE

Ne pas remiser les grenailles de bois ou d'autres produits d'allumage sur le protecteur de plancher, sous le tuyau de raccordement à la cheminée ou n'importe où à une distance inférieure aux dégagements minimum des surfaces combustibles indiqués à la page 5.

Les grenailles de bois devraient être entreposées dans un endroit sec et bien aéré.

⚠ MISE EN GARDE : NE PAS stocker les granulés non utilisés dans le poêle pour une utilisation ultérieure, car ils pourraient accumuler de l'humidité. L'utilisation de granulés humides ou mouillés peut entraîner des difficultés d'allumage, une combustion incomplète et un risque d'incendie dans la trémie.

PRÉCAUTIONS POUR LE FONCTIONNEMENT

⚠ AVERTISSEMENT : BRÛLANT DURANT LE FONCTIONNEMENT. NE PAS TOUCHER LE POÊLE. GARDER LES ENFANTS, LES VÊTEMENTS ET L'AMEUBLEMENT ÉLOIGNÉS. LE CONTACT POURRAIT CAUSER DES BRÛLURES.

⚠ ATTENTION : AVANT D'UTILISER LE POÊLE S'ASSURER QUE LE POT DE COMBUSTION ET LE CABARET SOUS-JACENT SONT PROPRES ET BIEN POSITIONNÉS.

⚠ AVERTISSEMENT : NE JAMAIS UTILISER DE LIQUIDE D'ALLUMAGE DE CHARBON, DE KÉROSÈNE, D'HUILE À LAMPE OU D'ESSENCE POUR ALLUMER OU RÉ-ACTIVER LE FEU DANS CETTE UNITÉ. GARDER TOUTES CES SUBSTANCES BIEN À L'ÉCART DU POÊLE LORS DE SON FONCTIONNEMENT.

POLYMÉRISATION DE LA PEINTURE

Pour permettre à la peinture de se lier au poêle de façon durable, faites-le chauffer au réglage maximum (P1) durant 60 minutes. Pour évacuer les émanations de fumée ou odeurs créés par ce processus de cure, ouvrez portes et fenêtres opposées de la pièce.

PROCÉDURE DE FONCTIONNEMENT : ALLUMAGE DU POÊLE

REMARQUE : Si l'afficheur indique que le cycle d'extinction est en cours (« Switching Off »), ce cycle ne pourra être annulé. En cas de tentative, un message indiquera que le cycle ne peut être interrompu. Le poêle pourra seulement être rallumé après que le cycle d'extinction sera terminé après que l'échangeur de chaleur aura refroidi.

REMARQUE : NE PAS UTILISER DE GRILLE, FER OU TOUT AUTRE DISPOSITIF POUR PLACER LES GRENAILLES DE BOIS DANS LE POT DE COMBUSTION. SEUL LE POT LUI-MÊME, PARTICULIER À VOTRE MODÈLE DE POÊLE, DOIT ÊTRE UTILISÉ.

1. Branchez le cordon d'alimentation dans la prise située à l'arrière du poêle et appuyez sur l'interrupteur à bascule rouge MARCHE/ARRÊT situé au-dessus sur MARCHE. Voir Figure 16.

Grand Teton Poêle à granulés de bois

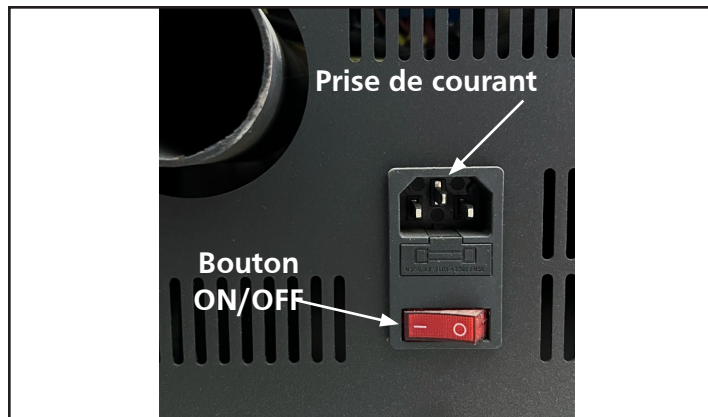


Figure 16 Prise de courant/Bouton ON/OFF

REMARQUE: POUR EMPÊCHER LE POÊLE DE FONCTIONNER, ÉTEINDRE L'INTERRUPTEUR D'ALIMENTATION ROUGE EN BAS, À L'ARRIÈRE DU POÊLE.

2. S'assurer que les joints d'étanchéité de la porte et du tiroir de cendre sont en bon état. Pour la première opération, ajouter une poignée de grenailles directement dans la chambre de combustion. Fermer le tiroir de cendre et les portes hermétiquement et s'assurer que les panneaux latéraux ont bien été installés.
3. Ouvrez la trémie. Assurez-vous qu'elle est suffisamment remplie. Refermez la trémie.
4. Appuyez sur l'icône d'alimentation et maintenez-la enfoncée pendant 3 secondes sur le panneau d'affichage. Appuyez sur le bouton d'alimentation. Le poêle procédera automatiquement à effectuer ce qui suit :
 - Cycle de nettoyage : Le pot de combustion est nettoyé des cendres, poussières et résidus accumulés.
 - Cycle d'alimentation : Les grenailles passeront de la trémie au pot de combustion par l'entremise de la tarière. Selon le modèle de poêle, ceci pourra prendre de 5 à 15 minutes.
 - Cycle d'allumage : L'allumeur à surface chaude électrique sera tout le cycle d'allumage et pendant quelques minutes après que le poêle se sera stabilisé et pour entamer la combustion des grenailles dans le pot. L'allumeur demeurera activé jusqu'à ce que la température de l'air/fumée d'échappement atteigne le seuil de température de fonctionnement autonome.
 - Cycle de stabilisation : Le système ajustera les fonctions pour procurer la température désirée. La stabilisation se poursuivra jusqu'à ce que le poêle lise la température souhaitée par le thermostat.
5. Le poêle est alors allumé.

PROCÉDURE DE FONCTIONNEMENT : EXTINCTION DU POÊLE

⚠ ATTENTION : APRÈS LE CYCLE DE REFROIDISSEMENT, LE POÊLE COMMENCERA AUTOMATIQUÉMENT UN NOUVEAU CYCLE DE FONCTIONNEMENT.

REMARQUE : LE POÊLE PEUT ÊTRE ÉTEINT DURANT TOUS LES CYCLES INDIQUÉS À L’AFFICHEUR EN ACTIONNANT ET MAINTENANT LE BOUTON D’ALIMENTATION DURANT TROIS SECONDES. UNE FOIS QUE L’AFFICHEUR INDIQUE QUE LE POÊLE EST EN MODE DE STABILISATION, ACTIONNEZ LE BOUTON D’ALIMENTATION UNE AUTRE FOIS. LE POÊLE SE METTRA EN CYCLE DE REFROIDISSEMENT (AFFICHÉ À L’ÉCRAN).

- Appuyez sur le bouton d’alimentation. Le poêle procédera automatiquement à effectuer ce qui suit :
 - Arrêt du chauffage : Les grenailles se trouvant dans la chambre de combustion continueront à se consommer et produire flamme et chaleur. Elles devraient être toutes consommées après 5 à 8 minutes. L’échangeur de chaleur pourra alors commencer à refroidir.
 - Goodbye : Le dernier message présenté à l’afficheur indiquant que le poêle s’est refroidi.
- Le poêle est alors éteint.

FONCTIONNEMENT AVEC UNE GÉNÉRATRICE ÉLECTRIQUE

Ce poêle est conçu pour avoir l’option d’être alimenté par une génératrice électrique, mais les génératrices ne sont pas toutes compatibles pour fonctionner avec cet appareil. Consultez les spécifications de votre génératrice concernant son régulateur de tension et assurez-vous qu’elles correspondent aux exigences de votre poêle telles qu’indiquées à la page 3.

COMMENT MINIMISER LA FORMATION DE CRÉOSOTE

Pour les explications concernant la formation et le nettoyage de crésote, voir ENTRETIEN on page 17. Pour ralentir l’accumulation de crésote dans votre cheminée, n’utilisez que les grenailles recommandées à la page 12.

DISPOSITION DES CENDRES

⚠ ATTENTION : DES BRAISES POURRAIENT SE TROUVER SOUS LA CENDRE. POUR LA MANIPULATION DES CENDRES UTILISEZ TOUJOURS DES OUTILS POUR CHARBONS ARDENTS, JAMAIS AVEC VOS MAINS! PORTER DES VÊTEMENTS IGNIFUGES ET UNE PROTECTION OCULAIRE.

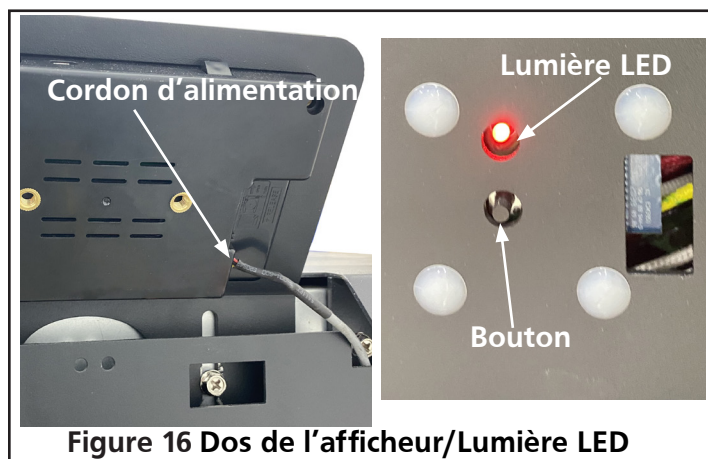
Les cendres devraient être placées dans un contenant métallique avec un couvercle hermétique.

- D’autres rebuts ne doivent pas être mis dans le contenant de cendres.
- Le contenant de cendres fermé devrait être placé sur un plancher non combustible ou sur le sol, éloigné de tout matériau combustible jusqu’à ce qu’il soit refroidi.
- Les résidus minéraux du bois (environ 1 à 2 %) demeurent dans les cendres et sont un excellent fertilisant naturel pour tous les plants de jardin. Avant de disposer des cendres en les enfouissant dans le sol ou en les dispersant d’autre façon, elles devraient être gardées dans le contenant fermé jusqu’à ce que toutes les braises aient refroidi et elles devraient également être éteintes avec de l’eau.

CONNEXION WI-FI « SMART STOVE »

L’état de votre poêle peut être surveillé, contrôlé et programmé en utilisant l’application Smart Stove (par GTC) qui est disponible pour les plateformes iOS ou Android. Scannez le code QR sur la couverture de ce manuel.

- Téléchargez l’application Smart Stove de GTC.
- Ouvrez l’application Smart Stove de GTC. L’application s’ouvre, par défaut, à l’écran « S’inscrire ». Cliquez sur le bouton « S’inscrire ».
- Entrez votre adresse courriel dans le champ « Courriel » et cliquez sur le bouton « Obtenir le code de vérification ».
- Entrez le code de vérification qui vous a été envoyé par courriel dans le champ « Saisir le code de vérification ».
- Vous pouvez maintenant définir un mot de passe unique pour votre appareil dans le champ « Définir le mot de passe » et cliquer sur le bouton « Terminé ».
- Si vous n’avez pas d’autres dispositifs Wi-Fi déjà actifs sur cette application, un gros bouton «Ajouter un appareil» se trouvera au centre de l’écran sur lequel vous pouvez taper. Autrement, sélectionnez le signe + du coin supérieur droit de l’écran.
- Assurez-vous que le poêle se connecte au réseau Wi-Fi accédé par votre dispositif.
- Assurez-vous que le poêle est branché dans une prise électrique et qu’il peut être mis en marche.
- Suivez les directives à l’écran en appuyant et maintenant le bouton de connexion à fond arrière du poêle durant 3 secondes comme montré ci-dessous. Lorsque la séquence de clignotement de recherche du témoin s’active, appuyez sur le bouton de confirmation au bas de l’écran.



- Saisissez le mot de passe du réseau wi-fi de sorte que le poêle puisse se connecter au réseau.
- Le poêle commencera la procédure d’appariement avec le dispositif utilisant l’application par l’entremise du réseau wi-fi. Ce processus pourrait prendre quelques minutes.

Étape 12. Après que le dispositif et l'appareil seront appariés vous pourrez voir l'icône du poêle à grenailles sous l'onglet « Devices » au bas de l'écran.

Étape 13. Sur votre dispositif, naviguez à vos vos réglages de dispositifs wi-fi qui comprendront maintenant le poêle comme un des choix. Sélectionnez le poêle comme votre connexion wi-fi.

Étape 14. Ouvrez à nouveau l'application Smart Stove sur votre téléphone.

Étape 15. Vous pouvez maintenant sélectionner ce poêle à partir de la liste des dispositifs ajoutés pour programmer, commander et surveiller le fonctionnement du poêle.

REMARQUE: Reportez-vous au guide de démarrage rapide inclus avec le poêle pour des informations plus détaillées sur la configuration de l'application.

COMMANDES WI-FI

Une fois connecté au poêle (voir l'étape 11 de Connexion Wi-Fi), vous pourrez ajuster et surveiller le fonctionnement du poêle à distance. Voir les explications ci-dessous :

- Nom du dispositif : Il est possible de changer le nom du poêle pour différencier l'appareil commandé en utilisant l'application « Smart Stove » (si vous avez plus d'un poêle).
- Partage du dispositif : il est possible de partager la connexion au poêle avec d'autres dispositifs par messagerie SMS ou par courriel.
- Eco Mode : Il existe deux modes ECO pouvant être sélectionnés qui économiseront les grenailles de bois tout en maintenant la température désirée. L'actionnement du bouton ECO permettra de basculer entre ces modes ou de les ignorer.
 - ECO 1 : Le poêle s'éteint lorsque la température désirée est atteinte. Il se rallumera à une température de la pièce pré-réglée en usine.
 - ECO 2 : Lorsque la température désirée est atteinte, le poêle passe en chauffage minimum (pré-réglage P4). Il se remettra à un réglage plus élevé lorsque la température de la pièce aura descendu à la température pré-réglée en usine.
- Configurations consignées : Quatre configurations peuvent être sélectionnées qui contrôlent la vitesse du ventilateur de combustion et du ventilateur de circulation d'air dans la pièce. L'actionnement du bouton Configurations consignées permettra de défiler entre les différentes configurations consignées ou d'ignorer les pré-réglages.
 - P1 [réglage de chauffage maximum]
 - P2 [réglage de chauffage intermédiaire]
 - P3 [réglage de chauffage bas]
 - P4 [réglage de chauffage minimum]

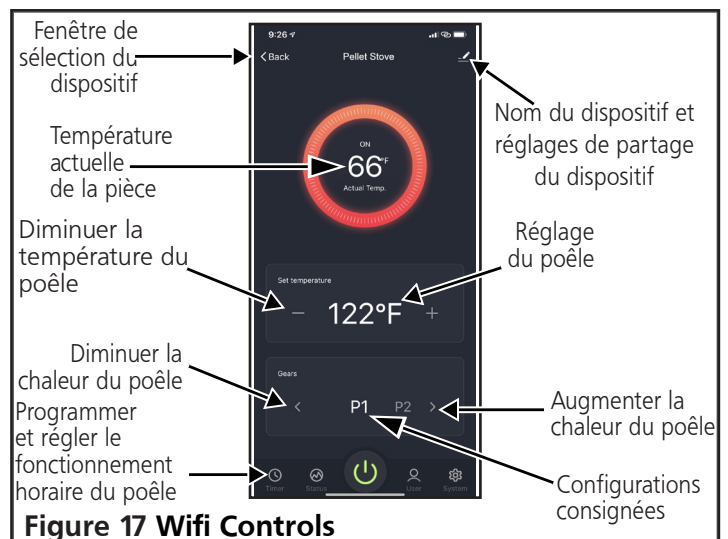


Figure 17 Wifi Controls

COMMANDES MULTI-FONCTIONS POUR N60WTS, N130WTS ET NBF66WTS

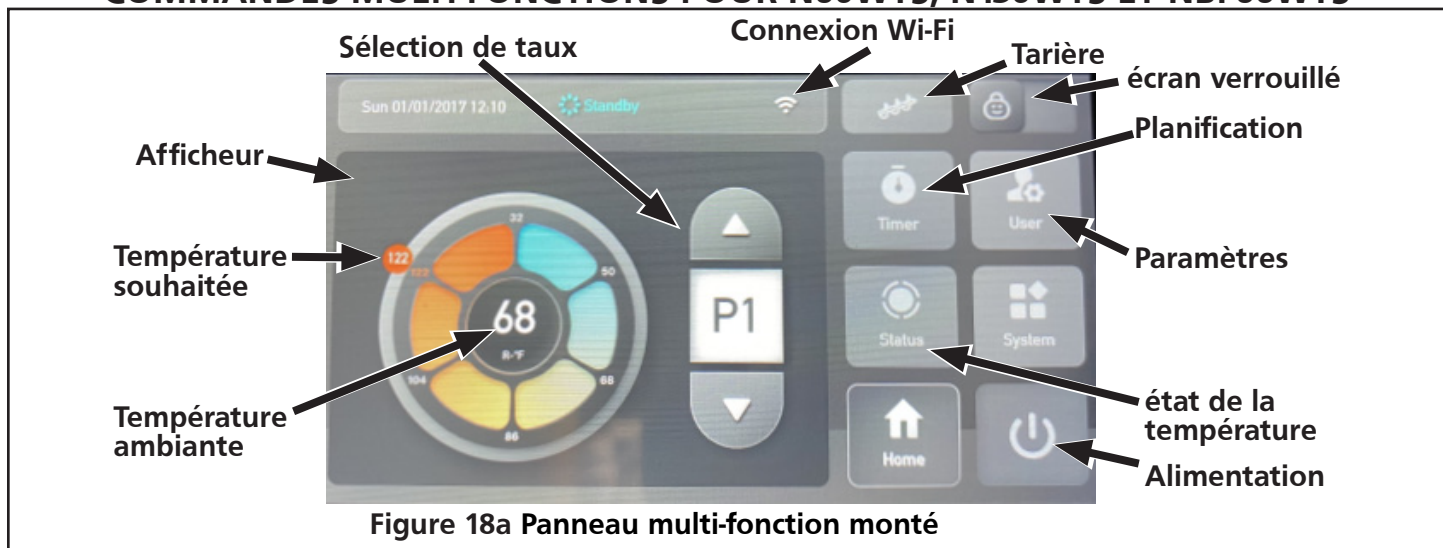


Figure 18a Panneau multi-fonction monté



Figure 18b Menu utilisateur

Fonctionnalité des boutons présents :

Fonctionnement normal

Pouvoir

- Appuyez sur pour démarrer le chauffage du poêle si le poêle était éteint.
- Appuyez sur pour commencer à éteindre le poêle si le poêle était en marche.

État de la température

- Appuyez sur pour voir les lectures de température du poêle.
- Affiche la température du tuyau d'échappement, la température de protection de la trémie et le nombre d'heures de fonctionnement, etc.

Paramètres

- Appuyez sur pour accéder au menu des paramètres utilisateur (Figure 18b).
- Dans ce menu, vous pouvez sélectionner °F ou °C, le mode ECO (voir les commandes Wi-Fi pour l'explication), les réglages de la durée d'agitation / du ventilateur d'extraction / du ventilateur, etc.

Planification

- Appuyez sur pour entrer les durées de fonctionnement souhaitées.

Écran verrouillé

- L'écran de verrouillage s'allume lorsque l'écran est verrouillé en mode programmé.

Tarière

- Permet à l'utilisateur d'utiliser / d'engager la vis sans fin directement, de préparer / pré-alimenter le pot de combustion ou d'introduire des granulés dans la vis / l'unité avant l'allumage.

Sélectionner le tarif

- Appuyez sur les flèches de sélection de taux pour basculer entre quatre pré-réglages de chauffage configurables (voir les commandes Wi-Fi pour une explication des P #). Le pré-réglage actuellement défini est affiché entre les flèches Haut et Bas.

Température souhaitée

- À l'aide de votre doigt, appuyez et tournez autour de la roue jusqu'à la température désirée (applicable uniquement lors de l'utilisation des modes Thermostat et ECO).

⚠ ATTENTION : Le fabricant a programmé les taux consignés pour garantir un fonctionnement convenable. Il est déconseillé de modifier ces consignes.

ENTRETIEN

Pour un bon rendement de fonctionnement ce poêle à grenailles de bois nécessite un entretien périodique. Toute opération ne respectant pas les directives du présent Guide du propriétaire contrevient à la réglementation fédérale.

⚠ ATTENTION : ÉTEINDRE ET DÉBRANCHER LE POÊLE DE LA PRISE DE COURANT AVANT TOUT ENTRETIEN.

⚠ ATTENTION : LAISSER LE POÊLE SE REFROIDIR AVANT D'EFFECTUER TOUT ENTRETIEN.

⚠ ATTENTION : DURANT TOUT DÉMONTAGE OU REMONTAGE, PRENDRE GARDE DE NE PAS ÉCHAPPER QUOI QUE CE SOIT (VIS ETC.) DANS LA TRÉMIE. LES DÉBRIS PEUVENT BLOQUER LA TARIÈRE ET ENDOMMAGER LE POÊLE.

La fréquence à laquelle votre poêle nécessitera un nettoyage et un entretien dépendra de la qualité des grenailles utilisées. Leur haut taux d'humidité ou l'utilisation de fragments poussiéreux ou comprenant des cendres pourrait faire doubler le besoin d'entretien du poêle. Utilisez seulement les grenailles de bois approuvées.

À chaque jour, nettoyez le pot de combustion et le cabaret de récupération alors que le poêle est refroidi, qu'il est débranché et qu'il ne s'y trouve pas de braises chaudes. À l'aide d'un aspirateur, nettoyez le pot de combustion de ses cendres et débris et puis soulevez le pot pour nettoyer le cabaret sous-jacent. Il est important que les ouvertures d'aération du pot ne soient pas obstruées de cendres ou de débris. Un calendrier de nettoyage général serait comme suit :

- Pot de combustion : Après 10 sacs de grenailles de bois, ou de façon quotidienne. Selon la première éventualité.
- Tiroir de cendre : Après 50 sacs de grenailles de bois
- Canalisations internes : Après 100 sacs de grenailles de bois
- Ventilateur : Après 100 sacs de grenailles de bois

IMPORTANT: Il faut aussi s'assurer de vous référer au supplément concernant l'horaire de nettoyage, à la fin de cette section.

NETTOYAGE : POT DE COMBUSTION ET CABARET

⚠ ATTENTION : SI LE POÊLE EST POUR SERVICE CONTINU, IL DEVRA ÊTRE ÉTEINT AUX INTERVALLES DE 24 HEURES POUR NETTOYER LE POT DE COMBUSTION ET LE CABARET. LAISSER TOUJOURS LE POÊLE REFROIDIR ET LES BRAISES S'ÉTEINDRE AVANT LE NETTOYAGE.

Assurez-vous de replacer le pot de combustion dans la bonne orientation de sorte que les grenailles puissent être alimentées et allumées sans problème.

NETTOYAGE : VITRE

⚠ AVERTISSEMENT : NE PAS NETTOYER LA VITRE LORSQUE CHAUDE.

Bien que la circulation d'air sur la porte vitrée réduit l'accumulation de cendre acide sur la vitre, son nettoyage sera quand-même requis périodiquement. Le nettoyage est nécessaire pour prévenir l'affaiblissement du verre, ce qui pourrait augmenter son risque de fendillement. Il n'est pas acceptable de faire fonctionner un poêle avec une vitre fendillée ou brisée.

Le meilleur moyen de nettoyer la porte vitrée est d'utiliser un linge humide enduit de cendres refroidies. Pour la saleté incrustée consultez votre quincailler ou un expert d'entretien de poêles pour des conseils de produits nettoyants.

⚠ AVERTISSEMENT : NE PAS NETTOYER LA VITRE AVEC UN PRODUIT ABRASIF OU TOUT AUTRE MOYEN QUI POURRAIT ÉGRATIGNER OU ENDOMMAGER LE VERRE.

NETTOYAGE : CANALISATION D'ENTRÉE ET DE SORTIE

Les canalisations d'entrée et de sortie devraient être nettoyées au moins une fois par année. La consommation de grenailles produisant un taux élevé de cendres pourrait nécessiter un nettoyage plus fréquent des canalisations.

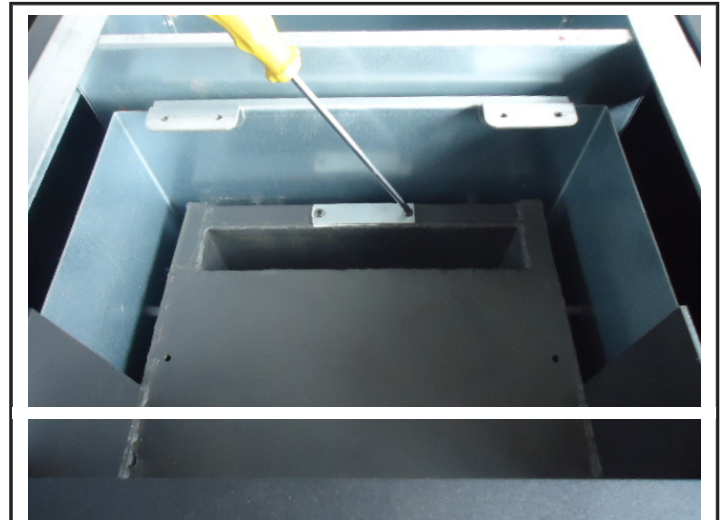


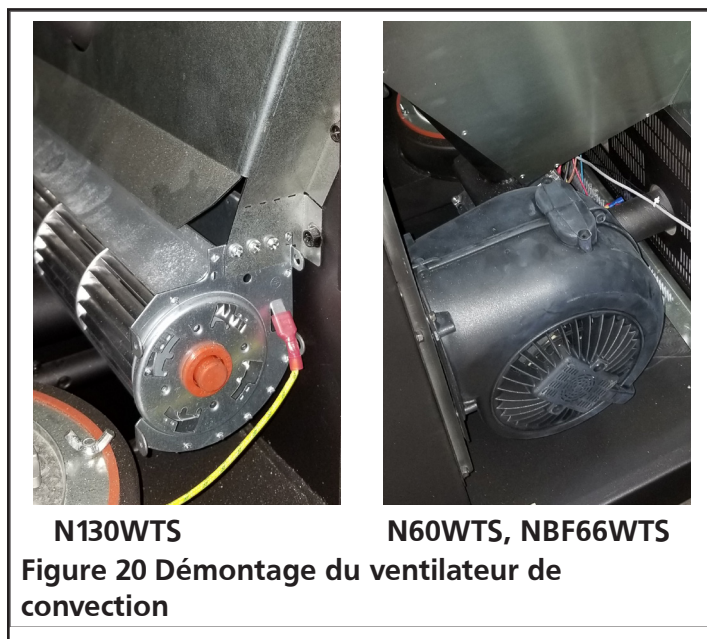
Figure 19 Canalisation de sortie

Un panneau d'accès se trouve de chaque côté du poêle qui peut être déposés en dévissant ses vis de fixation. Voir les figures 20, 23 et 24. Éteindre le poêle, le laisser se refroidir et le débrancher avant tout démontage et nettoyage. Utiliser une brosse dans les ouvertures pour dégager toute accumulation de cendre et nettoyer à l'aide d'un aspirateur. Remettre les panneaux en place et les fixer solidement avec leurs vis à tête Allen.

Deux autres ouvertures des canalisations d'entrée et de sortie sont accessibles en déposant le tiroir de cendre. Desserrer les deux vis de 5/32 po à tête Allen montrées à la Figure 19. Faire pivoter les couvercles pour exposer l'ouverture. À l'aide d'une brosse, dégager toute accumulation de cendre. Utiliser une brosse dans les ouvertures pour dégager toute accumulation de cendre et nettoyer à l'aide d'un aspirateur. Replacer les couvercles devant les ouvertures et les fixer solidement avec leurs vis à tête Allen.

NETTOYAGE : VENTILATEUR DE CONVECTION

En vous tenant devant le poêle, vous trouverez le moteur du ventilateur faisant circuler l'air autour du pot et le dirigeant dans la pièce, sur le côté droit. Pour y accéder, ouvrir et déposer le panneau latéral. Nettoyez le ventilateur de convection au besoin alors que le poêle est refroidi, qu'il est débranché et qu'il ne s'y trouve pas de braises chaudes. Lors de l'opération de nettoyage, prenez garde de ne pas endommager les pales du ventilateur. À l'aide d'un aspirateur, nettoyer toute accumulation de poussière sur les pales du ventilateur et à l'intérieur de la canalisation.



NETTOYAGE : TUYAU DE SORTIE D'ÉCHAPPEMENT

Inspecter le système d'aération de sortie au moins une fois par année et déterminez si un nettoyage est requis. Des cendres, de la suie et de la créosote peuvent se produire durant le démarrage, l'extinction et le mauvais

fonctionnement. Pour nettoyer le système d'aération, insérez une brosse de nettoyage de dimension appropriée dans le tuyau pour dégager et retirer toute cendre ou accumulation de débris. L'accumulation de débris et les cendres peuvent restreindre le débit de gaz qui affectera la performance du poêle, et ne pas retirer la créosote pourrait résulter en un dangereux feu de cheminée.

CENDRES VOLANTES - FORMATION ET BESOIN DE RETIRER

Les produits de combustion comprendront de petites particules de cendres volantes. Les cendres volantes s'accumuleront dans le système d'échappement et restreindront l'évacuation des gaz de sortie. La combustion incomplète qui se produit durant le démarrage, l'extinction ou lors de mauvais fonctionnement du poêle conduira à la formation de suie qui s'accumulera dans le système d'échappement des gaz. Le système d'aération de sortie devra être inspecté au moins une fois par année pour déterminer si un nettoyage est requis. Pour dégager les accumulations de la canalisation, utilisez une brosse de cheminée de taille appropriée.

CRÉOSOTE - FORMATION ET BESOIN DE RETIRER

Ne pas retirer la créosote pourrait résulter en un dangereux feu de cheminée.

Lorsque les grenailles de bois sont consommées à basse température elles produisent des émanations organiques qui, combinées à l'humidité dégagée produit de la créosote. Les émanations de créosote se condensent dans les gaz relativement frais de la cheminée devenant un combustible potentiel d'allumage et elles s'accumulent sur la paroi de la cheminée. Si allumée, la créosote dégage une chaleur extrême. Le tuyau de raccordement à la cheminée devrait être inspecté au moins à tous les deux mois durant la saison d'utilisation pour déterminer si une accumulation de créosote s'est produite. Si l'accumulation atteint 3 mm (1/8 po) elle devra être retirée pour éliminer le danger de feu de cheminée. Pour dégager les accumulations du tuyau, utilisez une brosse de cheminée de taille appropriée.

Sachez que sous chauffage modéré en début et fin de saison une plus grande formation de créosote sera probable et un nettoyage hebdomadaire pourrait être requis alors qu'en chauffage plus élevé durant l'hiver un nettoyage mensuel pourrait suffire. Pour apprendre comment traiter un feu de cheminée, communiquez avec les autorités ou le service d'incendie de votre localité. En tant que préparation, ayez un plan de réaction précis pour éteindre les feux de cheminée.

REMPACEMENTS : VITRE

Tout bris de vitre ne devra être adressée que par le remplacement de la porte complète fournie par le fabricant. Voir pages 27 à through 29

⚠ AVERTISSEMENT : L'UTILISATION DE MATÉRIAU SUBSTITUT POURRAIT BRISER LA VITRE ET CAUSER DES BLESSURES.

REPLACEMENTS : JOINTS D'ÉTANCHÉITÉ

Au fil du temps, les joints d'étanchéité autour de la vitre, de la porte et du tiroir de cendre pourraient perdre de leur rigidité. Ces joints sont essentiels pour sceller le système permettant un fonctionnement sécuritaire. Inspectez les joints régulièrement et s'ils deviennent usés, communiquez avec le fabricant pour connaître le numéro de pièce requis pour votre unité.

Pour remplacer le joint d'étanchéité :

1. S'assurer que toutes les grenailles sont éteintes et que le poêle est froid.
2. Retirer le joint usé et nettoyer le sillon d'insertion.
3. Appliquer un mince film de ciment à joint d'étanchéité résistant aux températures élevées à l'intérieur du sillon.
4. Presser l'extrémité du joint d'étanchéité de remplacement dans le sillon préparé à partir du point gauche le plus élevé.
5. Continuer à presser le joint dans le sillon en sens horaire tout autour de la porte pour revenir faire contact au point de départ.
6. Couper l'excédent et bien presser les extrémités ensemble dans le sillon.

Fermer la porte, tiroir ou tiroir de cendre et laisser le ciment durcir durant 3 à 4 heures avant d'allumer le poêle.

REPLACEMENTS : ALLUMEUR À SURFACE CHAUDE

S'assurer que le poêle est refroidi. À l'arrière à l'intérieur du poêle, dévisser les vis de fixation de l'allumeur. Sortir l'allumeur et le remplacer par le nouveau. Voir les figures 21 et 23.

REMARQUE: SELON LE MODÈLE DE POÊLE, IL PEUT ÊTRE NÉCESSAIRE D'ENLEVER LE MOTEUR DE LA VIS SANS FIN POUR FAIRE GLISSER L'ALLUMEUR HORS DE SON LOGEMENT.

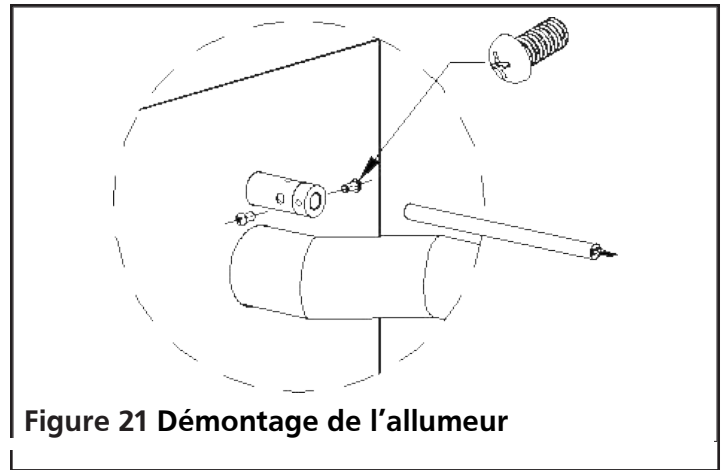


Figure 21 Démontage de l'allumeur

REPLACEMENTS : SYSTÈME DE TARIÈRE

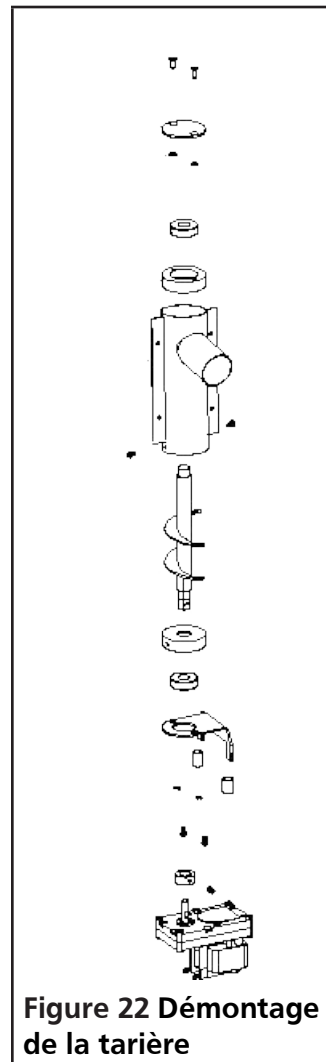


Figure 22 Démontage de la tarière

S'assurer que le poêle est refroidi. À partir de l'arrière à l'intérieur du poêle, la tarière peut être démontée en pièces détachées selon la séquence des pièces montrée à la Figure 22.

RETRAIT DES PANNEAUX ARRIÈRE ET LATÉRAUX

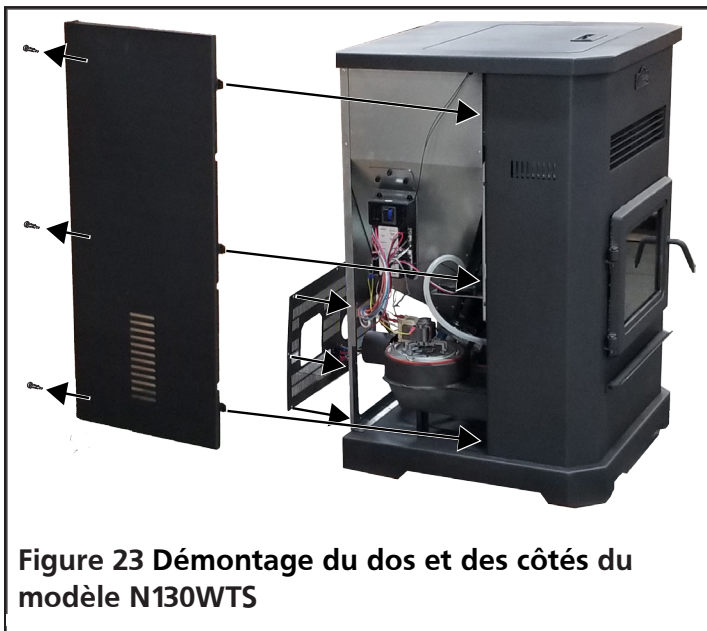


Figure 23 Démontage du dos et des côtés du modèle N130WTS

- Pour retirer les panneaux latéraux du modèle N130WTS, retirer les vis de fixation à l'arrière de l'unité et faire glisser le panneau vers l'arrière.
- Pour retirer la plaque arrière du modèle N130WTS, retirer les huit vis de fixation à l'arrière de l'unité.
- Pour retirer les panneaux latéraux du modèle N60WTS, retirer les vis de fixation à l'arrière de l'unité et retirer directement le panneau.
- Pour ouvrir le côté du modèle NBF66WTS, faire simplement pivoter le panneau latéral hors de ses aimants de retenue.

REPLACEMENTS : VENTILATEUR D'ÉCHANGEUR D'AIR CHAUD

Débrancher le poêle. Déconnecter tout câblage raccordé au ventilateur d'air chaud. Retirer les vis de fixation de la plaque de montage. Retirer lentement le ventilateur et le remplacer par le nouveau. Fixer la plaque à l'aide des vis et reconnecter les fils.

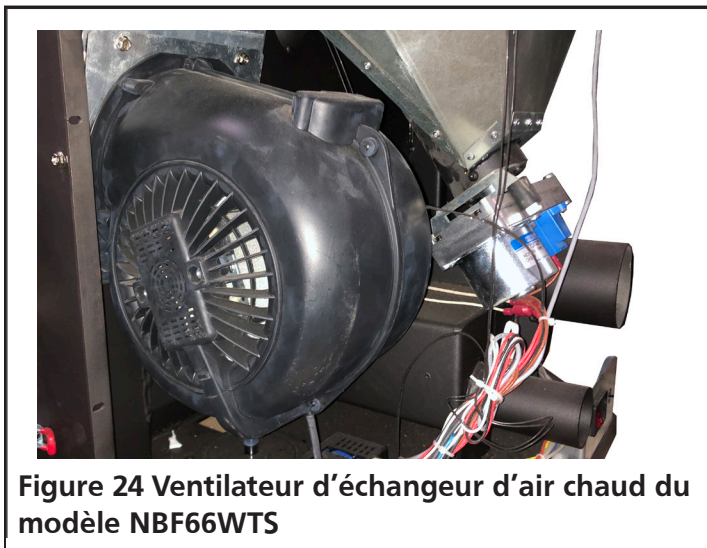


Figure 24 Ventilateur d'échangeur d'air chaud du modèle NBF66WTS

REPLACEMENTS : VENTILATEUR D'ÉCHAPPEMENT

Débrancher le poêle. Déconnecter tout câblage raccordé au ventilateur d'échappement. Retirer les écrous à oreilles maintenant la plaque de l'ensemble sans son logement. Retirer lentement le ventilateur et le remplacer par le nouveau. Fixer avec les écrous à oreilles et reconnecter les fils.

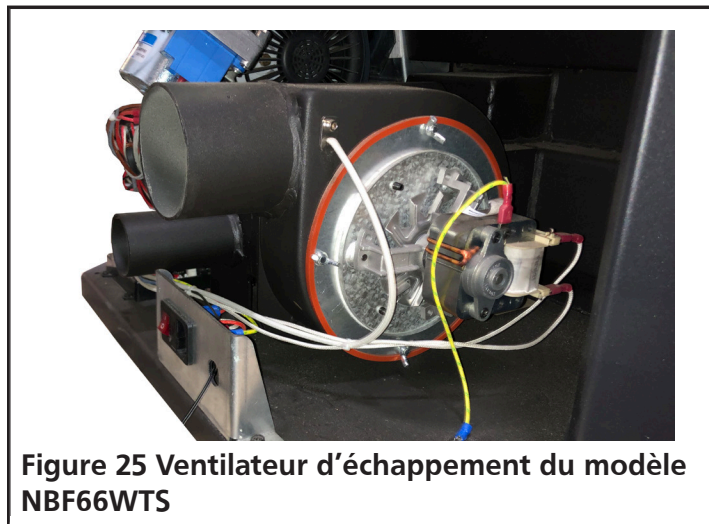


Figure 25 Ventilateur d'échappement du modèle NBF66WTS

COMPOSANTS DE SÉCURITÉ

1. Pressostat de vide : Un pressostat de vide est fixé derrière le bas de la porte gauche. Si une basse pression est créée par une fuite, l'ouverture de la porte du pot de combustion, une cheminée obstruée ou un tiroir de cendre non scellé, le pressostat éteindra le poêle comme mesure de précaution. Le code d'erreur E5 s'affichera à l'écran.
2. Thermostat de limite de température : Une protection de température élevée est placée sous le fond de la trémie. Si ce capteur est exposé à une température dépassant 85° C (185° F), le poêle sera éteint.
3. Thermostat de température élevée dans le tuyau d'échappement : Une protection de température élevée est placée sur le tuyau d'échappement. Si ce capteur est exposé à une température dépassant 40° C (104° F), le ventilateur de circulation d'air sera mis en marche.
4. Thermostat de basse température dans le tuyau d'échappement : Si le poêle se refroidit en bas de la consigne de température minimum, il s'éteindra. Ceci pourrait se produire si le poêle ne se réchauffe pas assez rapidement après l'allumage.
5. Fusible : Un élément fusible à l'arrière du dispositif protège contre les défauts et les risques d'électrocution. Voir Figure 26.

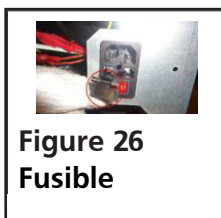


Figure 26
Fusible

HORAIRE DE NETTOYAGE DU POÊLE À GRANULES

Étape 1 :

Éteindre le poêle, et le laisser refroidir complètement.

Étape 2 :

Empoigner votre aspirateur à cendres pour enlever les cendres et les débris du pot à feu et dans la région environnante, ainsi que toutes les piles de cendres ou de débris que vous voyez.

Étape 3 :

Soulever et retirer le pot à feu – s’assurer que cette région soit libre de débris. Passer l’aspirateur sous le pot à feu, en prenant grand soin de passer l’aspirateur dans la voie d’aéragé sous le pot à feu.

Étape 4 :

Empoigner votre outil de nettoyage et le déplacer vers le pot à feu. Gratter pour éliminer tout débris hors du pot à feu, en s’assurant que tous les trous dans le pot à feu sont libérés de toute accumulation.

Étape 5 :

Essuyer la vitre. Ne jamais nettoyer la vitre avec de l’eau froide ou un nettoyeur alors que la vitre est encore chaude, puisque cela peut causer le craquelage du verre. La méthode que nous recommandons nécessite un chiffon ou une serviette de papier humide. L’appliquer sur les cendres froides, puis essuyer la vitre en commençant par le haut.

Étape 6 :

Certains modèles ont un tiroir pour les cendres. C’est alors une bonne idée de le vider à chaque fois que vous nettoyez votre poêle. Il est possible d’utiliser un aspirateur à cendres pour éliminer les cendres du tiroir.

Étape 7 :

Les modèles mini offrent des tiges de nettoyage. Vos tiges de nettoyage doivent être utilisées quotidiennement après que le poêle ait refroidi. Elles effectuent le nettoyage à l’intérieur de l’évacuation, là où les cendres et les débris peuvent s’accumuler. Si une accumulation excessive survient, votre poêle n’aura plus la bonne quantité d’air de combustion.

NETTOYAGE HEBDOMADAIRE

Étape 1 :

Nous recommandons de laisser le poêle manquer de granules; de sorte que la réserve soit vide. Passer l’aspirateur sur la réserve. Éliminer toute la poussière de la réserve, et inspecter votre réserve.

Étape 2

Les modèles de taille moyenne et grande comportent des plaques de conduit. Retirer la plaque de conduit centrale, en la glissant vers le haut. Après avoir glissé la plaque de conduit centrale et l’avoir sortie, il est possible de retirer les plaques de gauche et de droite. Passer l’aspirateur et brosser les plaques de conduit, gratter toute vitrification et accumulation. Vérifier les parois derrière les plaques de conduit pour détecter la présence de débris. S’assurer aussi de passer l’aspirateur derrière les plaques de conduit.

Étape 3 :

Le cas échéant, retirer le tiroir des cendres, et passer l’aspirateur sur le tiroir. Puis, brosser et gratter toutes les crasses et les accumulations. S’assurer que la région sous le tiroir soit elle aussi propre.

Étape 4 :

Inspecter la chute de la vis sans fin. S’il y a une accumulation de créosote ou de poussière de granule, nettoyer la chute avec une brosse à poils d’acier.

À TOUTES LES DEUX SEMAINES

Il faut vous rendre à l’extérieur, et inspecter visuellement le chapeau de terminaison sur l’évacuation. S’assurer qu’aucun animal tente de faire son nid, et vérifier la présence de toute accumulation de cendres sur la grille.

AU MOINS UNE FOIS PAR MOIS

Étape 1 :

Utiliser une brosse de nettoyage pour dégager les entrées d’air, localisées sous le pot à feu, qui vont vers l’arrière du poêle; le placement et la taille exactes peuvent varier d’un modèle à l’autre.

Étape 2 :

Pour les modèles de taille moyenne et grande avec des plaques de conduit, le port d’évacuation se trouve derrière une plaque de conduit, à gauche du pot à feu. S’assurer de bien nettoyer avec une brosse à poils d’acier, et d’y passer l’aspirateur.

Étape 3 :

Utiliser une brosse de nettoyage pour dégager les ports d'évacuation d'air dans votre chambre de combustion. Le nombre de ports d'évacuation varie d'un modèle à l'autre.

Pour les modèles mini : Ils comportent quatre ports d'évacuation en haut de la chambre de combustion.

Pour les modèles avec hublot à l'avant : Ils comportent deux ports d'évacuation en haut de la chambre de combustion. Il faut vérifier qu'ils soient dégagés pour assurer une circulation optimale de l'air dans la chambre de combustion.

À TOUTES LES DEUX (2) TONNES DE GRANULES, OU À TOUS LES DEUX MOIS

Inspecter le tee de nettoyage. Retirer toutes les cendres accumulées et resceller la connexion, au besoin.

ANNUELLEMENT

- Il est important de retirer le ventilateur de combustion; utiliser une brosse à poils d'acier sur la créosote, et passer l'aspirateur sur les débris. Cela est important pour la région au-dessous du ventilateur et sur le ventilateur même. Lors du retrait du ventilateur de combustion, si le joint d'étanchéité est usé, vous pouvez retirer le joint d'étanchéité et utiliser de la silicone rouge RTV pour la haute température pour créer un nouveau joint d'étanchéité pour le ventilateur.
- Vous pourriez devoir retirer le conduit de l'arrière du poêle, et utiliser une brosse à poils d'acier pour y passer aussi l'aspirateur pour le nettoyage.

- Il pourrait s'avérer nécessaire de recourir aux services d'un ramoneur de cheminée pour nettoyer votre système d'évacuation de manière régulière. Il faut porter une attention particulière sur les coudes, puisqu'ils peuvent accumuler de la créosote encore plus que les conduits droits.

- C'est aussi une bonne idée de nettoyer votre conduit d'entrée d'air annuellement.

Pour les modèles mini : Il est localisé derrière le panneau de droite. Il y a un couvercle d'entrée d'air qui doit être retiré, et la voie d'aéragage doit être nettoyée. Si les joints d'étanchéité sont endommagés ou usés, il est possible d'en fabriquer de nouveaux avec de la silicone rouge RTV pour la haute température.


Pour les modèles avec hublot à l'avant : Les voies d'aéragage comportent une ouverture derrière le tiroir des cendres. Le tiroir des cendres devra être retiré complètement, et les couvercles peuvent être retirés avec une clé Allen de 3 mm. Une brosse à poils d'acier et un aspirateur à cendres peuvent aussi être utilisés pour nettoyer les voies d'aéragage.

THIS PAGE INTENTIONALLY LEFT BLANK
ESTA PÁGINA INTENCIONALMENTE SE DEJA EN BLANCO
CETTE PAGE A ÉTÉ INTENTIONNELLEMENT LAISSÉE VIERGE

CODES D'ERREUR

REMARQUE :DANS L'ÉVENTUALITÉ D'UNE PANNE DE COURANT (CODE D'ERREUR E7), UNE FAIBLE QUANTITÉ DE FUMÉE POURRAIT ÊTRE DÉGAGÉE. CECI DURERA DE TROIS À CINQ MINUTES ET NE REPRÉSENTE PAS UN DANGER.

⚠ ATTENTION : S'IL S'EST PRODUIT UNE SURCHAUFFE (CODES D'ERREUR E5 ET E6), ALORS UNE INSPECTION, ENTRETIEN ET/OU UN NETTOYAGE DEVRA ÊTRE EFFECTUÉ AVANT QUE LE POÊLE PUISSE ÊTRE UTILISÉ DE FAÇON SÉCURITAIRE DE NOUVEAU.

Après avoir suivi les étapes de solution suggérées, actionner le bouton de confirmation  pour supprimer le code d'erreur de l'afficheur multi-fonction. Et puis effectuer la procédure de fonctionnement de la page 13 pour rallumer le poêle.

CODE D'ERREUR	CAUSE	SOLUTION
E1	La température d'échappement est en dessous de 4,44 à 7,22° C (40 à 45° F). Le fonctionnement a été interrompu et le chauffage arrêté.	<ol style="list-style-type: none"> 1. Vérifier la présence de grenailles dans la trémie. 2. Vérifier le fonctionnement du moteur de la tarière et que celle-ci alimente bien le pot de combustion.
E2	Échec d'allumage des grenailles dans le pot de combustion.	<ol style="list-style-type: none"> 1. S'assurer que le pot de combustion ne comporte pas de fragments de différentes tailles formés par des débris exposés à la chaleur élevée (plus commun lors d'utilisation de grenailles de moindre qualité). 2. S'assurer que le pot de combustion soit bien assis dans son support et qu'il n'y a pas d'obstruction devant l'allumeur. 3. S'assurer que le capteur de température de gaz d'échappement, adjacent au ventilateur de combustion, est en bon état et n'a pas subi de dommage. 4. S'assurer que l'allumeur n'est pas brisé.
E5	Basse pression détectée par le pressostat de vide (fixé au bas derrière la porte gauche).	<ol style="list-style-type: none"> 1. S'assurer que la porte et le tiroir de cendre (le cas échéant) sont bien fermés. 2. S'assurer que la canalisation d'échappement n'est pas obstruée ou qu'elle n'a pas de fuite. 3. S'assurer que le ventilateur de combustion est fonctionnel.
E6	Signal du capteur de température élevée (situé sous la trémie).	<ol style="list-style-type: none"> 1. S'assurer que le capteur n'est pas défectueux. 2. La température au niveau du capteur est trop élevée. Le poêle ne fonctionne pas correctement. Appelez le service à la clientèle.
E7	Panne de courant.	Actionner le bouton de Confirmation pour supprimer le code d'erreur. Rallumer le poêle. Vous pouvez décider de sauter par-dessus les cycles précédents et de passer directement au cycle de stabilisation, en actionnant et maintenant le bouton de sélection de taux durant 3 secondes.
E9	Capteur de trémie. La trémie manque de pellets.	<ol style="list-style-type: none"> 1. Remplissez les granulés dans la trémie.
ESC1	Capteur de température n° 1 court-circuité.	<ol style="list-style-type: none"> 1. Vérifier les fils et les points de raccordement. 2. Contactez le support technique pour obtenir de l'aide.
ESO1	Capteur de température n° 1 en circuit ouvert.	<ol style="list-style-type: none"> 1. Vérifier les fils et les points de raccordement. 2. Contactez le support technique pour obtenir de l'aide.
ESC2	Capteur de température n° 2 court-circuité.	<ol style="list-style-type: none"> 1. Vérifier les fils et les points de raccordement. 2. Contactez le support technique pour obtenir de l'aide.

CODES D'ERREUR (SUITE)

ESO2	Capteur de température n° 2 en circuit ouvert	<ol style="list-style-type: none"> Vérifier les fils et les points de raccordement. Contactez le support technique pour obtenir de l'aide.
ESC3	Capteur de température n° 3 court-circuité	<ol style="list-style-type: none"> Vérifier les fils et les points de raccordement. Contactez le support technique pour obtenir de l'aide.
ESO3	Capteur de température n° 3 en circuit ouvert	<ol style="list-style-type: none"> Vérifier les fils et les points de raccordement. Contactez le support technique pour obtenir de l'aide.

DÉPANNAGE

SYMPTÔME	CAUSE	SOLUTION
Le poêle ne s'allume pas.	Le commutateur d'alimentation n'est pas fermé.	Actionner le commutateur d'alimentation.
	Le cordon d'alimentation est débranché.	<ol style="list-style-type: none"> Insérer à fond le cordon d'alimentation dans le poêle S'assurer que la prise murale fournit une tension de 120 V.
	Le fusible est grillé.	Remplacer le fusible.
Le ventilateur ne tourne pas durant les cycles de nettoyage, d'alimentation et d'allumage.	Ceci est normal.	Ceci n'est pas un problème, le ventilateur ne se met en marche qu'au cycle de stabilisation.
Le ventilateur ne se met pas en marche durant le cycle de stabilisation.	Le poêle/panneau de commande n'est pas sous tension.	Vérifier l'alimentation et les câbles.
	Carte mère débranchée.	S'assurer que les connecteurs de la carte sont complètement insérés.
	Le capteur de basse température est défectueux.	Remplacer le capteur.
La tarière n'alimente pas le pot de combustion durant les cycles incluant le cycle d'allumage.	La trémie est vide.	Ajouter des grenailles dans la trémie.
	La tarière est coincée, obstruée ou déconnectée.	<ol style="list-style-type: none"> Débrancher l'unité de sorte qu'il ne se produise pas de démarrage inattendu et dégager le blocage de la tarière. Vérifier que la tarière ne soit pas bloquée. Si c'est le cas, dégager le produit causant le coincement. S'assurer que la vis de fixation de la tarière au moteur est bien serrée.

DÉPANNAGE (SUITE)

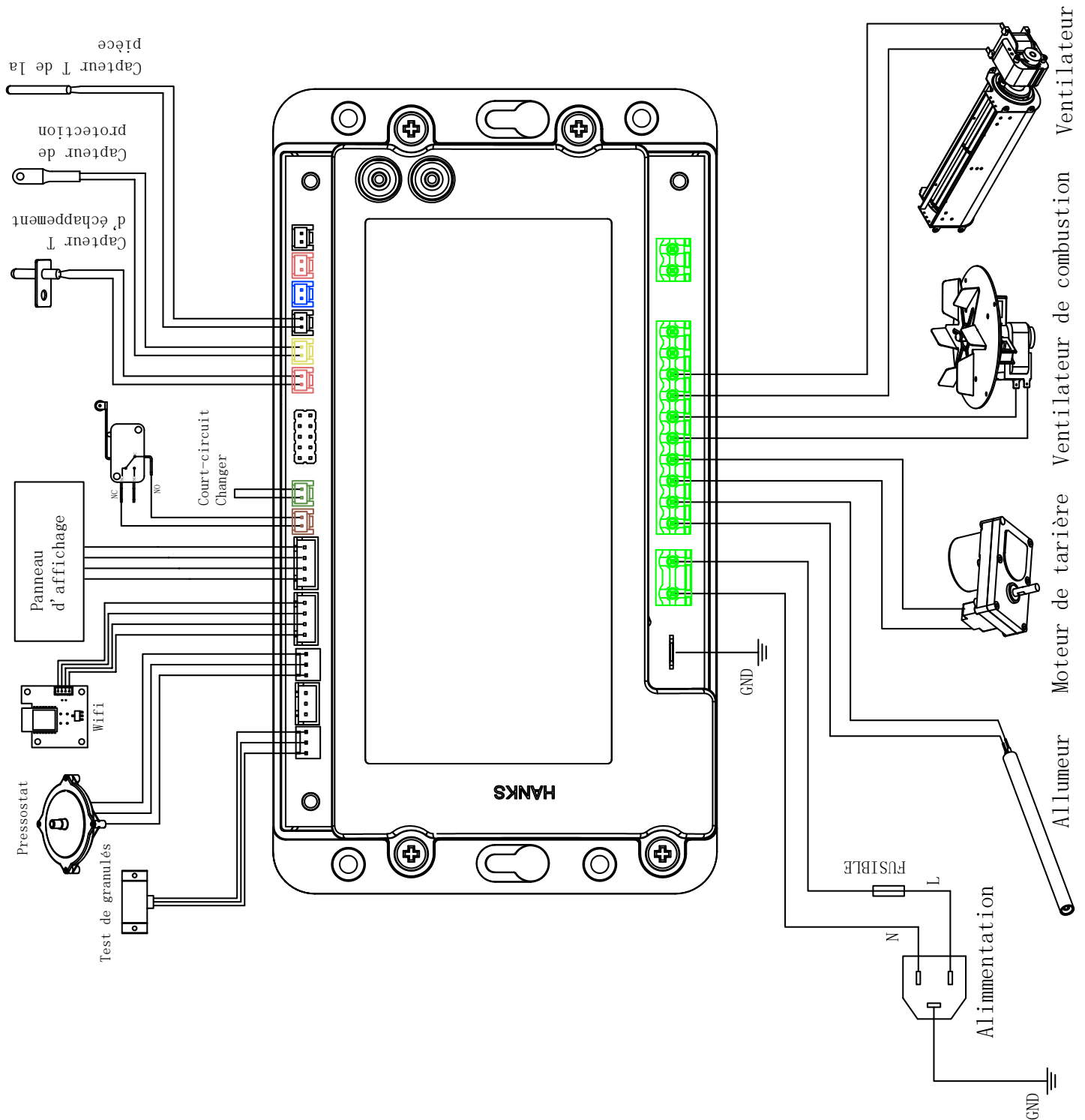
SYMPTÔME	CAUSE	SOLUTION
Le poêle s'éteint 15 minutes après avoir été allumé.	La trémie est à un bas niveau.	Vérifier la présence de suffisamment de grenailles dans la trémie.
	La tarière ne fonctionne pas.	<ol style="list-style-type: none"> Débrancher l'unité de sorte qu'il ne se produise pas de démarrage inattendu et dégager le blocage de la tarière. Vérifier que la tarière ne soit pas bloquée. Si c'est le cas, dégager le produit causant le coincement. S'assurer que la vis de fixation de la tarière au moteur est bien serrée.
	Le thermostat de température de 30 °C s'est déclenché.	<ol style="list-style-type: none"> S'assurer que les fils du thermostat sont bien connectés. Remplacer le thermostat de 30° C.
	Le pressostat à l'intérieur du poêle est défectueux.	Remplacer le pressostat.
Flamme orange, grenailles s'empilent dans le pot de combustion, dépôts de carbone sur la vitre.	Insuffisance d'air pour une combustion adéquate.	<ol style="list-style-type: none"> S'assurer que la bouche d'entrée d'air sur le devant est ouverte. S'assurer que les joints d'étanchéité de la fenêtre et de la porte sont en bon état. Vérifier que les canalisations d'entrée et de sortie d'air ne sont pas bloquées. Augmenter la superficie d'ouverture des canalisations. Augmenter la vitesse du ventilateur pour augmenter le taux de combustion. Veillez communiquer avec le fabricant pour assistance.
Trop de grenailles dans le pot de combustion. Les grenailles ne se consomment pas toutes entièrement.	La vitesse d'alimentation est plus grande que la capacité de combustion.	<ol style="list-style-type: none"> Augmenter la vitesse du ventilateur pour augmenter le taux de combustion.
Pas assez de grenailles dans le pot de combustion.	La vitesse d'alimentation n'est pas suffisante pour soutenir ce taux de combustion.	<ol style="list-style-type: none"> Diminuer la vitesse du ventilateur pour diminuer le taux de combustion.

DÉPANNAGE (SUITE)

SYMPTÔME	CAUSE	SOLUTION
La combustion s'arrête et le poêle interrompt son fonctionnement.	La trémie est vide.	Ajouter des grenailles dans la trémie.
	La tarière est coincée, obstruée ou déconnectée.	<ol style="list-style-type: none"> Débrancher l'unité de sorte qu'il ne se produise pas de démarrage inattendu et dégager le blocage de la tarière. Vérifier que la tarière ne soit pas bloquée. Si c'est le cas, dégager le produit causant le coincement. S'assurer que la vis de fixation de la tarière au moteur est bien serrée.
	La vitesse d'alimentation n'est pas suffisante pour soutenir ce taux de combustion.	<ol style="list-style-type: none"> Diminuer la vitesse du ventilateur pour diminuer le taux de combustion.
	Le thermostat de température de 30 °C s'est déclenché.	<ol style="list-style-type: none"> S'assurer que les fils du thermostat sont bien connectés. Remplacer le thermostat de 30° C.
La combustion s'arrête et le poêle interrompt son fonctionnement (suite).	La température réglée a été atteinte.	Ceci est le fonctionnement normal du mode ECO. Le poêle se remettra automatiquement en fonction lorsque la température de la pièce descendra en-dessous de la demande programmée.
Le ventilateur de circulation d'air demeure en fonction après que le poêle a cessé de chauffer et se soit refroidi.	Le thermostat de température de 30 °C s'est déclenché.	<ol style="list-style-type: none"> S'assurer que les fils du thermostat sont bien connectés. Remplacer le thermostat de 30° C.
Le poêle fournit un volume trop faible d'air insuffisamment chauffé.	Le combustible est inadéquat.	Utiliser des grenailles spécifiées dans le présent manuel.
	La vitesse du ventilateur de circulation d'air chaud est à un réglage trop bas ou le fonctionnement du ventilateur est compromis.	<ol style="list-style-type: none"> Si le ventilateur est défectueux, remplacer le ventilateur. Si la carte de commande du ventilateur est défectueuse, remplacer la carte.
	Les tubes de l'échangeur de chaleur sont sales.	Nettoyer les tubes de l'échangeur de chaleur.

SCHÉMA DE CÂBLAGE

REMARQUE : SI DES FILS QUELCONQUES DOIVENT ÊTRE REMPLACÉS ILS DEVRONT CORRESPONDRE AUX SPÉCIFICATIONS DE CÂBLAGE ORIGINAL DE TEMPÉRATURE NOMINALE DE 105 C AVEC ISOLANT DE CLASSE DE 600 V

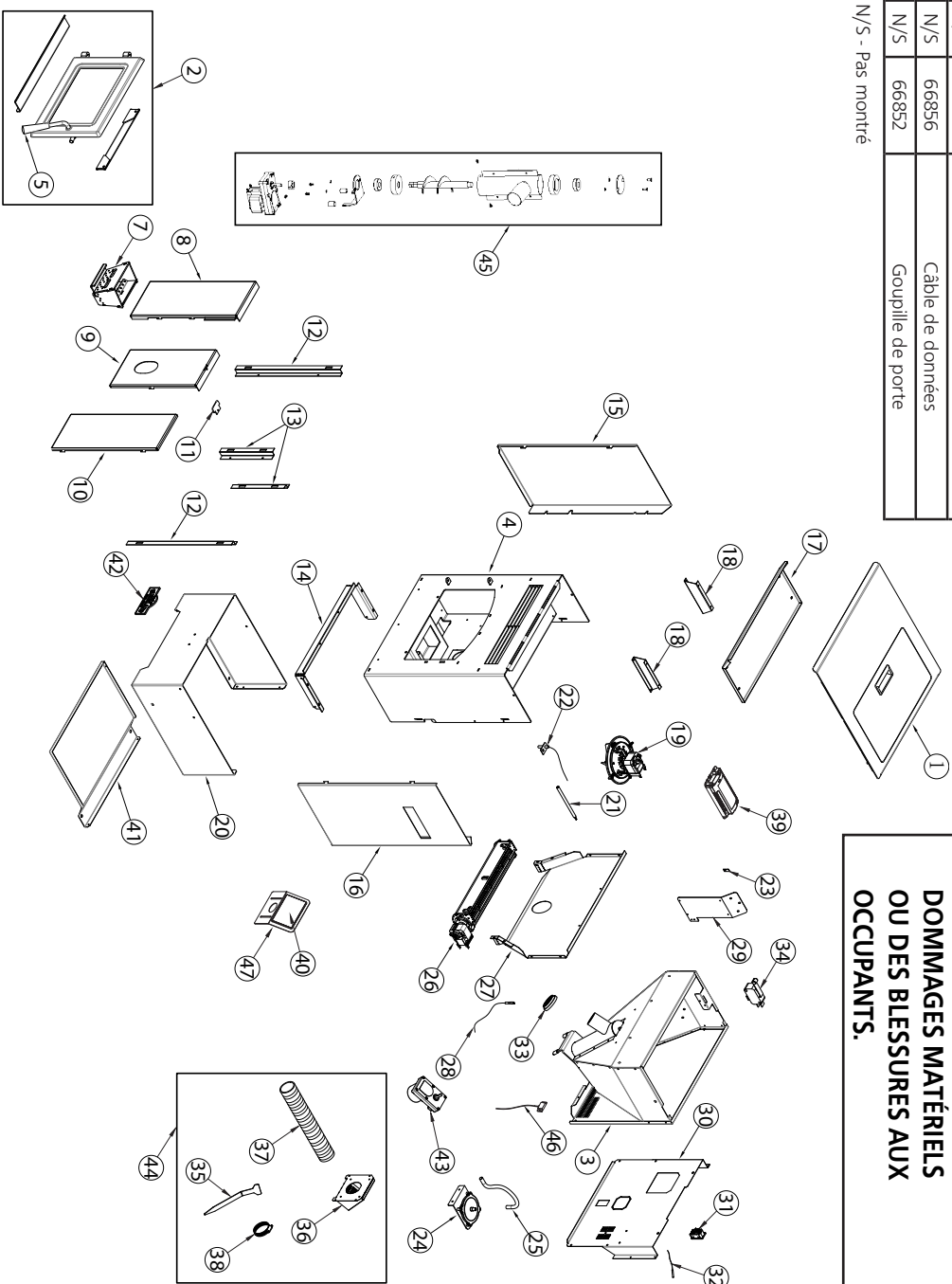


PIÈCES DE SERVICE MODÈLE N60WTS

N°	N° de pièce	DESCRIPTION
1	66623	Le couvercle supérieur
2	66624	Porte assemblée
3	n / a	Hopper
4	n / a	Corps principal
5	66603	Poignée de porte
7	66625	Pot de feu
8	66931	Conseil de combustion - gauche
9	66933	Conseil de combustion au milieu
10	66932	Panneau De Conduit De Droite
11	n / a	Plaque de cheminée supérieure
12	n / a	Conduit de fumée plaque longue
13	n / a	Conduit de cheminée fixe court
14	n / a	Piédestal plaque fixe
15	66626	Panneau latéral gauche
16	66627	Panneau latéral droit
17	n / a	Plaque d'isolation thermique
18	n / a	Plaque de support d'isolation
19	66607	Souffleur à combustion
20	n / a	Plaque de piédestal
21	66608	Allumeur
22	66609	Capteur d'échappement
23	n / a	Vis de fixation
24	66628	Commutateur de vide
25	66629	Tube de silicone de commutateur de vide
26	66630	Ventilateur de circulation
27	n / a	Couverture d'isolation de chambre
28	66613	Capteur de sécurité de la trémie
29	n / a	Plaque fixe de la carte mère
30	66631	Capot arrière
31	66615	Prise de courant
32	66616	Capteur de pièce
33	66622	Joint détaché en caoutchouc silicone
34	66617	Commutateur de couvercle de trémie
35	66855	Outil de nettoyage (voir n 44)
36	n / a	Ventilation d'admission d'air frais (voir n 45)
37	n / a	Tube d'expansion en aluminium (voir n 45)
38	n / a	Pince (voir n 45)
39	66661	Carte mère
40	66702	Écran tactile

N°	N° de pièce	DESCRIPTION
41	n / a	Plaque intérieure de piédestal
42	n / a	Plaque signalétique
43	66621	Moteur de tarrière
44	66659	Kit d'accessoires
45	66660	Assemblée de la tarrière
46	66701	Capteur de trémie
47	66837	Support d'écran tactile
N/S	66854	Cordon d'alimentation
N/S	66856	Câble de données
N/S	66852	Goupille de porte

N/S - Pas montré



REMARQUE : LES PIÈCES NE SONT PAS TOUTES EN MAGASIN. POUR TOUTE QUESTION, COMMUNIQUEZ AVEC LE FABRICANT.

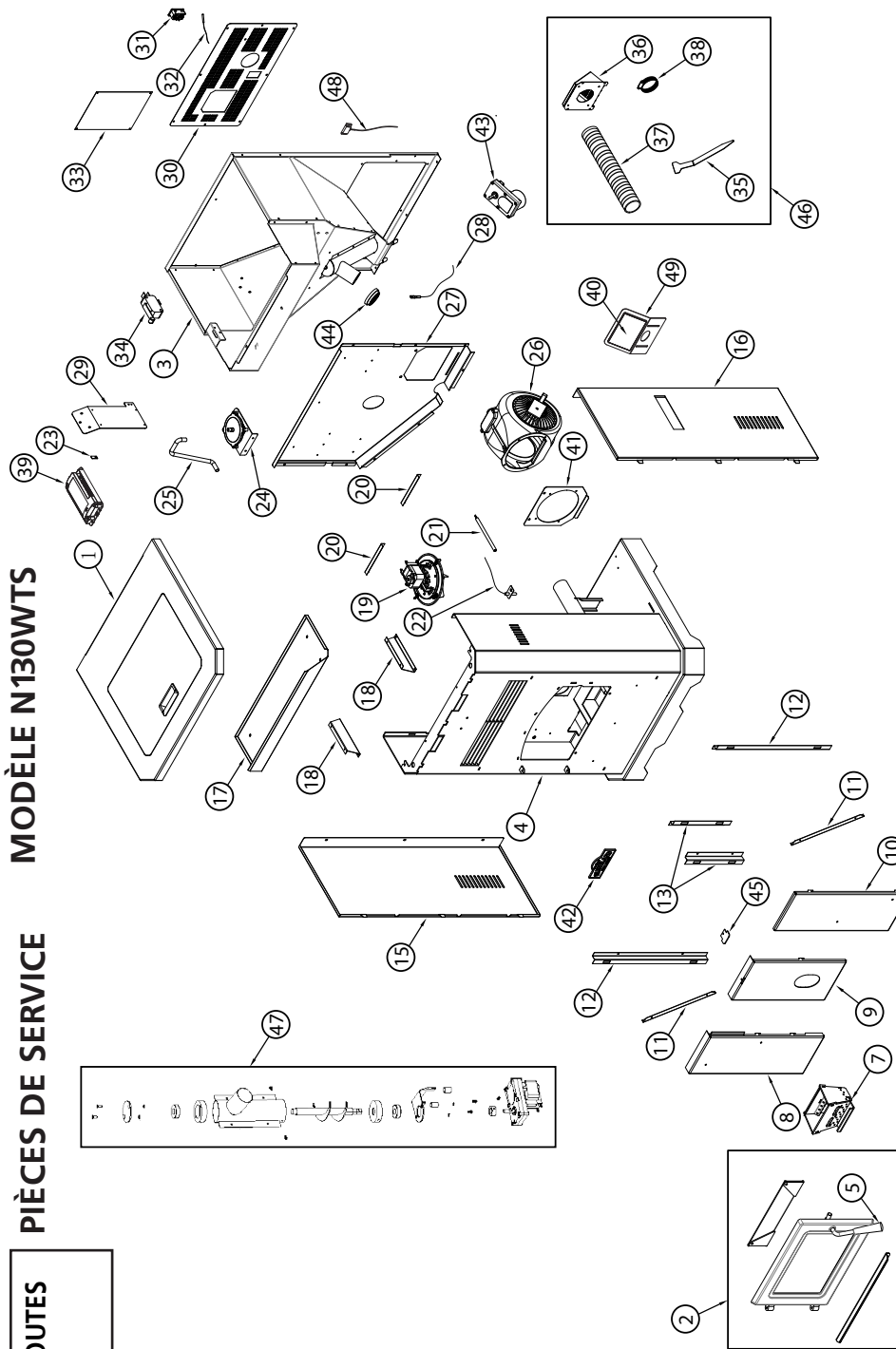
⚠ AVERTISSEMENT : NE PAS POSITIONNER LES PIÈCES SELON CES SCHEMAS OU NE PAS UTILISER EXCLUSIVEMENT LES PIÈCES SPÉCIFIQUEMENT APPROUVÉES POUR CE POÊLE POURRAIT RÉSULTER EN DES DOMMAGES MATÉRIELS OU DES BLESSURES AUX OCCUPANTS.

REMARQUE : LES PIÈCES NE SONT PAS TOUTES EN MAGASIN. POUR TOUTE QUESTION, COMMUNIQUEZ AVEC LE FABRICANT.

AVERTISSEMENT : NE PAS POSITIONNER LES PIÈCES SELON CES SCHEMAS OU NE PAS UTILISER EXCLUSIVEMENT LES PIÈCES SPÉCIFIQUEMENT APPROUVÉES POUR CE POÊLE POURRAIT RÉSULTER EN DES DOMMAGES MATÉRIELS OU DES BLESSURES AUX OCCUPANTS.

PIÈCES DE SERVICE

MODÈLE N130WTS

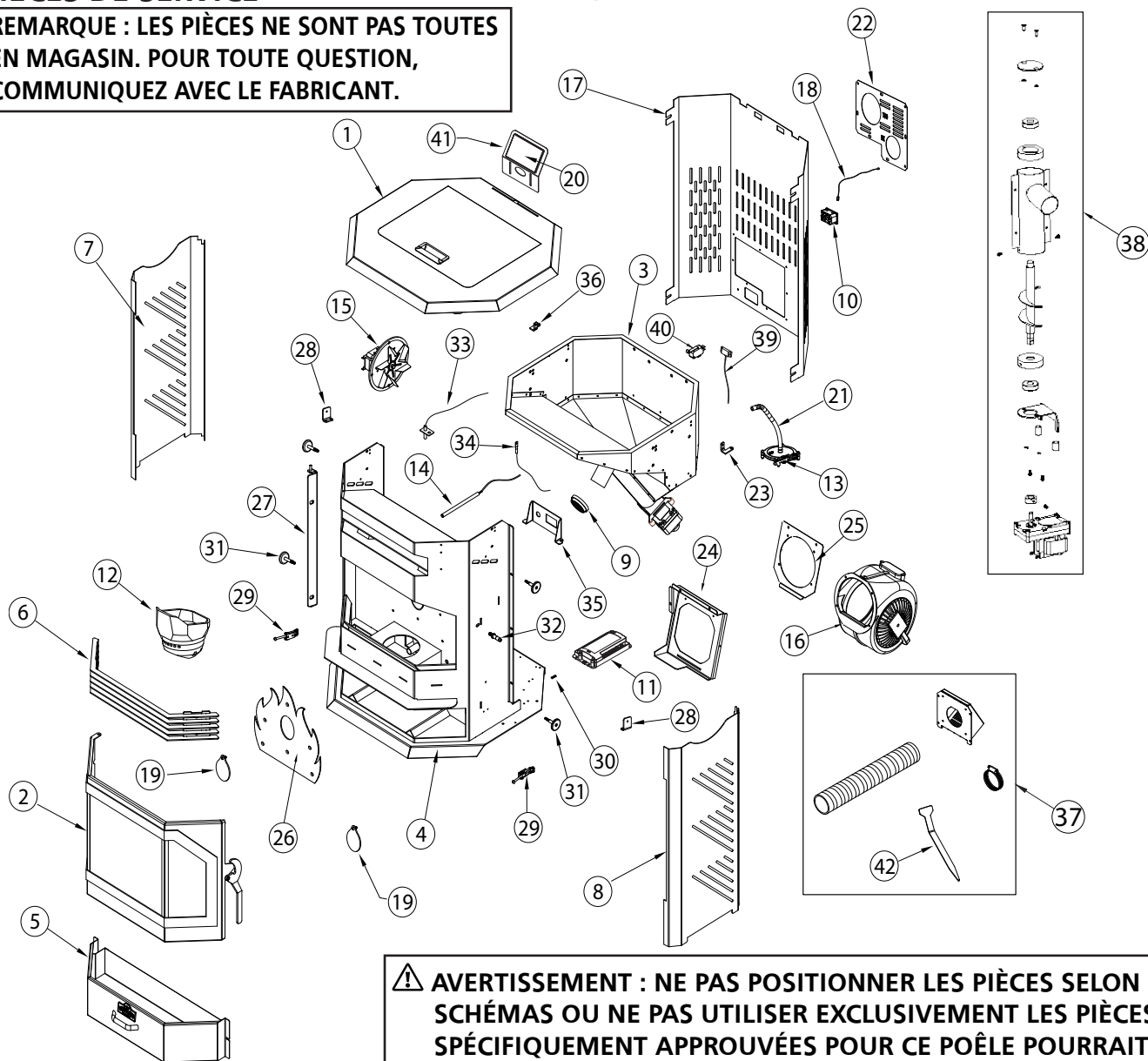


N°	N° de pièce	DESCRIPTION
1	66601	Le couvercle supérieur
2	66602	Porte assemblée
3	n / a	Hopper
4	n / a	Corps principal
5	66603	Poignée de porte
7	66604	Pot de feu
8	66931	Conduit de fumée gauche
9	66862	Plaque De Conduit
10	66932	Conduit de fumée à droite
11	n / a	Renfort de la cheminée
12	n / a	Conduit de fumée plaque longue
13	n / a	Conduit de cheminée fixe court
15	66605	Panneau latéral gauche
16	66606	Panneau latéral droit
17	n / a	Panneau isolant thermique
18	n / a	Plaque de support d'isolation
19	66607	Souffleur à combustion
20	n / a	Plaque de renforcement
21	66608	Allumeur
22	66609	Capturateur d'échappement
23	n / a	Vis de terre
24	66610	Commutateur de vide
25	66611	Tube de silicone
26	66612	Ventilateur de circulation
27	n / a	Couverture d'isolation de chambre
28	66613	Capturateur de sécurité de la trémie
29	n / a	Plaque fixe de la carte mère
30	66614	Capot arrière
31	66615	Prise de courant
32	66616	Capturateur de pièce
33	n / a	Étiquette de notation
34	66617	Commutateur de couvercle de trémie
35	66855	Outil de nettoyage (voir n 46)
36	n / a	Ventilation d'admission d'air frais (voir n 47)
37	n / a	Tube d'expansion en aluminium (voir n 47)
38	n / a	Pince (voir n 47)
39	66662	Carte mère
40	66702	Écran tactile
41	66620	Plaque fixe ventilateur
42	n / a	Plaque signalétique
43	66621	Moteur de tarière
44	66622	Joint d'étanchéité en caoutchouc silicone
45	n / a	Plaque de cheminée supérieure
46	66659	Kit d'accessoires
47	66660	Assemblée de la vis
48	66701	Capturateur de trémie
49	66837	Support d'écran tactile
N/S	66854	Cordon d'alimentation
N/S	66856	Câble de données
N/S	66852	Goupille de porte

N/S - Pas montré

PIÈCES DE SERVICE MODÈLE NBF66WTS

REMARQUE : LES PIÈCES NE SONT PAS TOUTES EN MAGASIN. POUR TOUTE QUESTION, COMMUNIQUEZ AVEC LE FABRICANT.



⚠ AVERTISSEMENT : NE PAS POSITIONNER LES PIÈCES SELON CES SCHÉMAS OU NE PAS UTILISER EXCLUSIVEMENT LES PIÈCES SPÉCIFIQUEMENT APPROUVÉES POUR CE POÊLE POURRAIT RÉSULTER EN DES DOMMAGES MATÉRIELS OU DES BLESSURES AUX OCCUPANTS.

N°	N° de pièce	DESCRIPTION
1	66632	Le couvercle supérieur
2	66633	Porte
3	n / a	Hopper
4	n / a	Corps principal
5	66634	Cendrier
6	n / a	Plaque décorative
7	66635	Panneau latéral gauche
8	66636	Panneau latéral droit
9	66622	Joint d'étanchéité en caoutchouc silicone
dix	66615	Prise de courant
11	66663	Carte mère
12	66638	Pot de feu
13	66639	Commutateur de vide
14	66640	Allumeur
15	66641	Souffleur à combustion
16	66612	Ventilateur de circulation
17	66642	Capot arrière

N°	N° de pièce	DESCRIPTION
18	66643	Capteur de pièce
19	n / a	Plaque d'étanchéité
20	66702	Écran tactile
21	66645	Tube de silicone de dispositif de pression
22	66646	Plaque d'étanchéité arrière
23	66647	Charnière de panneau latéral droit
24	66648	Support de soufflante
25	66620	Plaque fixe ventilateur
26	n / a	Plaque ignifuge
27	66649	Charnière de porte
28	66650	Couvercle Arrière Plaque Fixe
29	66651	Pièces de verrouillage pour cendrier
30	n / a	Vis de terre
31	66652	Aimant

N°	N° de pièce	DESCRIPTION
32	66653	Porte, loquet
33	66654	Capteur d'échappement
34	66655	Capteur de sécurité de la trémie
35	66656	Prise plaque fixe
36	66657	Charnière de panneau latéral gauche
37	66659	Kit d'accessoires
38	66660	Assemblée de la tarière
39	66701	Capteur de trémie
40	66617	Commutateur de couvercle de trémie
41	66837	Support d'écran tactile
42	66855	Outil de nettoyage (voir n 37)
N/S	66854	Cordon d'alimentation
N/S	66856	Câble de données
N/S	66859	Goupille de porte

N/S - Pas montré

GUIDE DU PROPRIÉTAIRE ET INSTRUCTIONS D'UTILISATION

N° de modèle
C60WTS, H60WTS,
J60WTS, PS60WTS,
C130WTS, H130WTS,
J130WTS, PS130WTS,
CBF66WTS, HBF66WTS,
JBF66WTS, PSBF66WTS

LIRE LES INSTRUCTIONS ATTENTIVEMENT : Veuillez lire le présent manuel au complet avant d'installer et d'utiliser ce poêle à grenailles de bois. Ne pas suivre les directives comprises pourrait résulter en des dommages matériels ou des blessures graves, voire la mort. Ne pas laisser quiconque qui n'a pas lu les instructions du présent manuel assembler, allumer, régler ou faire fonctionner le poêle. Remiser ce manuel dans un endroit sûr pour référence ultérieure.

AVERTISSEMENT :

N'UTILISER QUE LES PIÈCES DE REMPLACEMENT DU FABRICANT. L'UTILISATION DE TOUTE AUTRE PIÈCE POURRAIT CAUSER DES BLESSURES OU LE DÉCÈS DE PERSONNES. LES PIÈCES DE REMPLACEMENTS SONT SEULEMENT DISPONIBLES DIRECTEMENT DE LA MANUFACTURE ET DOIVENT ÊTRE INSTALLÉES PAR UNE AGENCE DE SERVICE QUALIFIÉE.

RENSEIGNEMENTS POUR COMMANDES DE PIÈCES :

ACHAT : LES ACCESSOIRES PEUVENT ÊTRE ACHETÉS EN TOUT TEMPS DE TOUT DÉPOSITAIRE GRAND TETON LOCAL OU DIRECTEMENT DE LA MANUFACTURE.

POUR RENSEIGNEMENTS CONCERNANT LE SERVICE : Veuillez composer le numéro sans frais 1-866-740 2497/1-800-251-0001 • Fins de semaine/après les heures d'ouverture 423-488-6316 • grandtetoncollection.com

Nos heures d'ouverture sont de 8:00 h à 17:00 h HNE du lundi au vendredi.

Dans toutes les communications, veuillez indiquer le numéro de modèle, la date d'achat et une description du problème.

GARANTIE LIMITÉE :

Enerco Group, Inc. (EGI) garantit les poêles à grenailles de bois Grand Teton être libres de défauts de matériaux et de main-d'œuvre au moment de la livraison. Après l'installation, si des composants couverts sont trouvés présenter des défauts de matériau ou de main-d'œuvre durant la période de couverture applicable, alors la Société, à sa propre option, réparera ou remplacera les produits retournés par l'acheteur à l'atelier, tous frais de transport payés d'avance, durant la période de garantie applicable, les pièces trouvées défectueuses. La période de garantie des composants couverts est définie dans le tableau suivant :

Composants couverts	Période de garantie (pièce seulement, main-d'œuvre non comprise)
Électriques	1 an
Pièces métalliques (excluant le pot de combustion)	5 ans

Si une pièce est endommagée ou manquante, appelez notre Service de soutien technique au 1-866-740-2497/1-800-251-0001.

Adresser toute demande de compensation de garantie à : Service Department, Enerco Group, Inc., 4560 W. 160TH ST., CLEVELAND, OHIO 44135 U.S.A. Indiquez votre nom, adresse et numéro de téléphone, le numéro de modèle et le numéro de série de votre produit et décrivez les détails concernant la demande de compensation. Veuillez également nous indiquer la date d'achat ainsi que les nom et adresse du dépositaire où vous avez acheté votre produit.

Ce qui suit est la description complète de la responsabilité de la Société. Aucune autre garantie explicite ou implicite n'est applicable. Particulièrement, aucune garantie de concordance spécifique à une application ne s'applique ainsi que toute garantie de commercialité. En aucun cas la Société ne sera responsable de délais dus à des imperfections ou dommages de conséquence ainsi que pour des frais de toute nature sauf si consentis par écrit. Les réparations ou remplacements seront le remède exclusif pour tout bris de garantie. Il n'y a pas de garantie contre les infractions de droits ou de garantie implicite de ressortissants d'affaires. La présente garantie ne s'appliquera à aucun produit qui a été réparé ou modifié hors de l'usine sous tout aspect qui selon notre opinion affecte la condition de fonctionnement. La présente garantie ne couvre pas les dommages ou bris dus à un mauvais usage, abus d'utilisation ou modifications. La garantie ne couvre pas la peinture de finition, les vitres, joints d'étanchéité ou les briques réfractaires. La garantie ne couvre pas le pot de combustion. La garantie ne couvre aucun dommage de corrosion.

Certains États/provinces ne permettent pas l'exclusion ou la limite de dommages accessoires ou indirects, alors les exclusions ou limitations ci-dessus pourraient ne pas s'appliquer dans votre cas. La présente garantie vous donne des droits juridiques particuliers et d'autres droits, variables d'un état/province à l'autre, pourraient s'appliquer.

Enerco Group, Inc. se réserve le droit d'apporter des modifications sur les couleurs, spécifications, accessoires, matériaux et modèles en tout temps sans préavis ou obligation.

Enerco Group Inc., 4560 W. 160TH ST., CLEVELAND, OHIO 44135 • 1-866-740-2497/1-800-251-0001
© 2024, Mr. Heater. Tous droits réservés



Report Number : F23-240
ASTM E1509-22
CAN/ULC-S627:2023

INSTALLER: Leave this manual with the appliance.

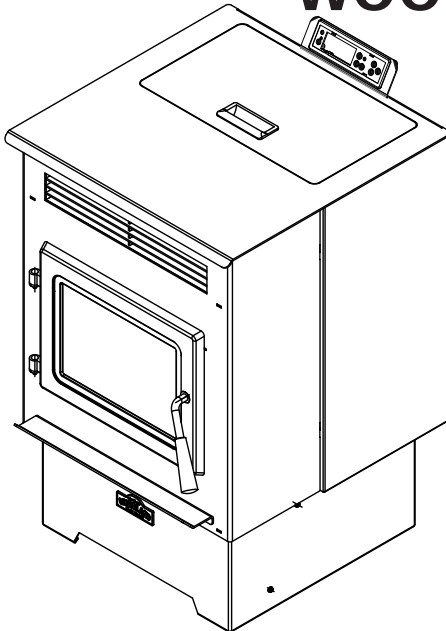
CONSUMER: Save these Instructions for future reference.

OPERATING INSTRUCTIONS AND OWNER'S MANUAL

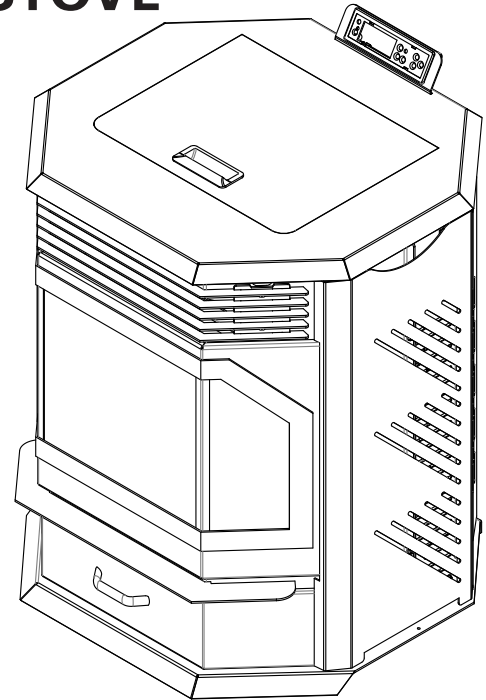
Model #
C80XL, J80XL, N80XL
C140XL, J140XL, N140XL
C3W80XL, J3W80XL, N3W80XL

READ INSTRUCTIONS CAREFULLY: Please read this entire manual before installation and use of this pellet fuel-burning room heater. Failure to follow these instructions could result in property damage, bodily injury or even death. Do not allow anyone who has not read these instructions to assemble, light, adjust or operate the stove. Place instructions in a safe place for future reference.

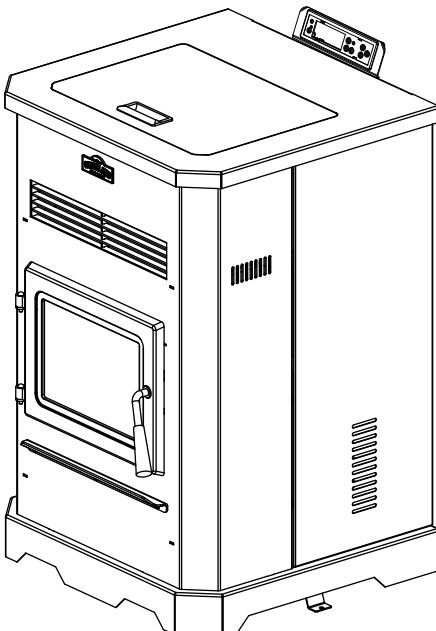
WOOD PELLET FIRE STOVE



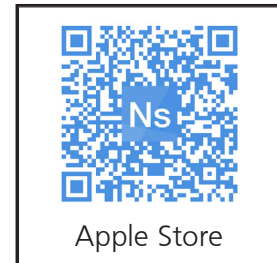
C80XL, J80XL, N80XL



C3W80XL, J3W80XL, N3W80XL



C140XL, J140XL, N140XL



THE AUTHORITY HAVING JURISDICTION (SUCH AS MUNICIPAL BUILDING DEPARTMENT, FIRE DEPARTMENT, FIRE PREVENTION BUREAU, ETC.) SHOULD BE CONSULTED BEFORE INSTALLATION TO DETERMINE ANY NEED TO OBTAIN A PERMIT. OBSERVE ALL LOCAL BUILDING CODES.

Enerco Group Inc.

4560 West 160th st Cleveland, Ohio 44135 1-833-950-1184

XXXXX

GENERAL HAZARD WARNING:

⚠ FAILURE TO COMPLY WITH THE PRECAUTIONS AND INSTRUCTIONS PROVIDED WITH THIS STOVE CAN RESULT IN DEATH, SERIOUS BODILY INJURY AND PROPERTY LOSS OR DAMAGE FROM HAZARDS OF FIRE, EXPLOSION, BURN, ASPHYXIATION, CARBON MONOXIDE POISONING, AND/OR ELECTRICAL SHOCK.

⚠ ONLY PERSONS WHO CAN UNDERSTAND AND FOLLOW THE INSTRUCTIONS SHOULD USE OR SERVICE THIS STOVE.

⚠ IF YOU NEED ASSISTANCE OR STOVE INFORMATION SUCH AS AN INSTRUCTIONS MANUAL, LABELS, ETC. CONTACT THE MANUFACTURER.

WARNING:

⚠ FIRE, BURN, INHALATION, AND EXPLOSION HAZARD. KEEP SOLID COMBUSTIBLES, SUCH AS BUILDING MATERIALS, PAPER OR CARDBOARD, A SAFE DISTANCE AWAY FROM THE STOVE AS RECOMMENDED BY THE INSTRUCTIONS NEVER USE THE STOVE IN SPACES WHICH DO OR MAY CONTAIN VOLATILE OR AIRBORNE COMBUSTIBLES, OR PRODUCTS SUCH AS GASOLINE, SOLVENTS, PAINT THINNER, DUST PARTICLES OR UNKNOWN CHEMICALS.

⚠ **WARNING:** This product can expose you to chemicals including lead and lead compounds, which are known to the State of California to cause cancer and birth defects or other reproductive harm. For more information visit www.P65Warnings.ca.gov

Contents

SPECIFICATIONS.....3

GETTING STARTED.....4

SAFETY PRECAUTIONS.....5

CLEARANCE TO COMBUSTIBLES.....6

UNPACKING & ASSEMBLY.....7

INSTALLATION.....8

ADDITIONAL MOBILE HOME REQUIREMENTS ..12

OPERATION.....14

SMART STOVE WIFI CONNECTION.....16

WIFI CONTROLS.....17

MULTI FUNCTION CONTROLS.....18

MANUAL STOVE OPERATION.....19

MAINTENANCE.....20

CLEANING SCHEDULE.....24

TROUBLESHOOTING.....27

WIRING DIAGRAM.....30

SERVICE PARTS.....31

FCC INFORMATION

CAUTION: Changes or modifications not expressly approved by the party responsible for compliance could void the user’s authority to operate the equipment.

NOTE: This equipment has been tested and found to comply with the limits for a Class B digital device, pursuant to part 15 of the FCC Rules. These limits are designed to provide reasonable protection against harmful interference in a residential installation. This equipment generates, uses and can radiate radio frequency energy and, if not installed and used in accordance with the instructions, may cause harmful interference to radio communications. However, there is no guarantee that interference will not occur in a particular installation. If this equipment does cause harmful interference to radio or television reception, which can be determined by turning the equipment off and on, the user is encouraged to try to correct the interference by one or more of the following measures:

- Reorient or relocate the receiving antenna.
- Increase the separation between the equipment and receiver.
- Connect the equipment into an outlet on a circuit different from that to which the receiver is connected.
- Consult the dealer or an experienced radio/TV technician for help.

SPECIFICATIONS

Model #	H80XL	H140XL	H3W80XL
DIMENSIONS			
Stove Weight [LBS (kg)]	177 (80)	202 (97)	231 (105)
Stove Dimensions LxWxH [in (cm)]	23.5" x 21.75 " x 39.25" (59.7 x 55.2 x 99.7)	24.0" x 24.5 " x 39.5" (61.0 x 62.2 x 100.3)	26.18" x 24.53 " x 32" (66.5 x 62.3 x 81.3)
Air Inlet Pipe Diameter [in (mm)]	2" (50)	2" (50)	2" (50)
Air Outlet Pipe Diameter [in (mm)]	3" (80)	3" (80)	3" (80)
Pellet Hopper Capacity [LBS (kg)]	80 (36.3)	140 (63.5)	80 (36.3)
OPERATION SPECIFICATIONS			
Fuel	Wood Pellet	Wood Pellet	Wood Pellet
Heats approximately ** [ft ² (m ²)]	1500 - 2200 (139 - 204)	2000 - 3000 (186 - 279)	1800 - 2500 (167 - 232)
Carbon Monoxide Produced (g/min)	0.32 on High 0.18 on Low	0.20 on High 0.36 on Low	0.11 on High 0.21 on Low
Pellet Consumption Rate Low [LBS/HR (kg/HR)]	1.59 (0.72 - Dry)	1.98 (0.90 - Dry)	1.74 (0.79 - Dry)
Pellet Consumption Rate Medium [LBS/HR (kg/HR)]	2.03 (0.92 - Dry)	2.82 (1.28 - Dry)	2.36 (1.07 - Dry)
Pellet Consumption Rate High [LBS/HR (kg/HR)]	4.37 (1.98 - Dry)	4.83 (2.19 - Dry)	4.67 (2.12 - Dry)
Stove Efficiency	84%	77%	80%
Heat Output Rate Low [BTU/HR (kW)]	10,771 (3.16)	12,746 (3.74)	11,624 (3.41)
Heat Output Rate Medium [BTU/HR (kW)]	13,910 (4.08)	18,088 (5.30)	15,511 (4.55)
Heat Output Rate High [BTU/HR (kW)]	30,124 (8.83)	29,501 (8.65)	30,173 (8.84)
ELECTRICAL SPECIFICATIONS			
Electrical Supply Requirements [Voltage / Frequency / Phase]	120V / 60 Hz / Single	120V / 60 Hz / Single	120V / 60 Hz / Single
Electric Current During Lighting Phase [Amperes]	3.3	3.3	3.3
Auger Motor R.P.M.	2.4	2.4	2.4

This manual describes the installation and operation of the brand "Master Forge" wood pellet fire stove. This stove meets the applicable U.S. Environmental Protection Agency's emission limits for pellet fired heaters sold after 2020. Under specific test conditions these stoves have been shown to deliver heat at rates ranging from:

H80XL: 10,771 to 30,124 Btu/hr

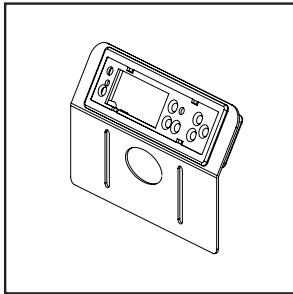
H140XL: 12,746 to 29,501 Btu/hr

H3W80XL: 11,624 to 30,173 Btu/hr

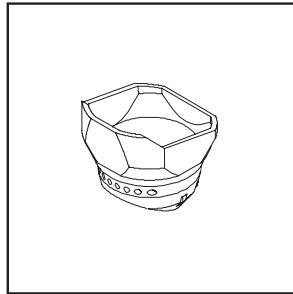
*BTU input/output will vary, depending on the brand of fuel you use in your Stove.

** Depending on insulation rating of room and climate zone. Variations in climate and location affect attributes such as stove efficiency and CO produced.

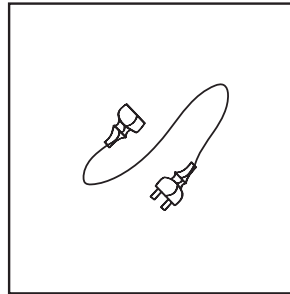
GETTING STARTED



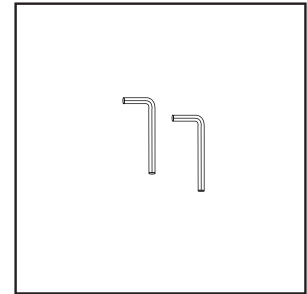
Display Panel



Firepot

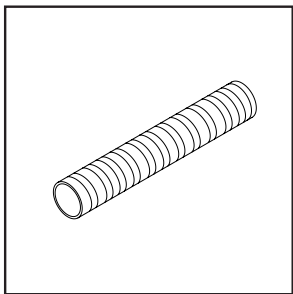


Main Power Cord

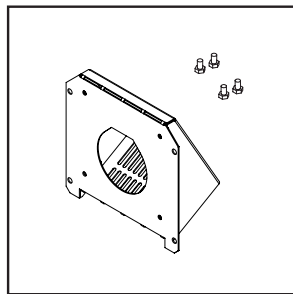


Allen Wrenches (x2)

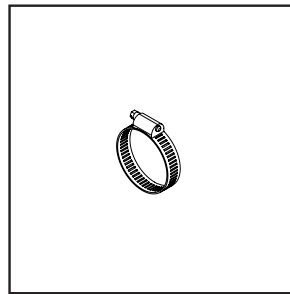
ACCESSORY KIT



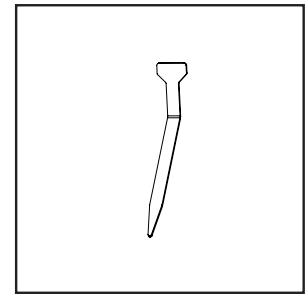
Flex Hose



Termination Cap and
Screws (x4)



Hose Clamp



Cleaning Tool

WHAT YOU'LL NEED (NOT SUPPLIED)

TOOLS REQUIRED

- Tape Measure
- Phillips Screwdriver or Comparable Electric Screw Driver & Drill Bit.
- Stud Finder
- Plumb Bob
- Reciprocating Saw
- High Temperature Silicone or High Temperature Sealant or High Temperature Flue Tape
- Floor Protection (see "FLOORING SPACE" and "FLOORING MATERIAL" on page 6)
- Manufactured venting of 3" (80mm) in diameter of type "L" or "PL" which is listed to UL 641, ULC S609 (Standard for 650 C Factory-Built Chimneys), or ULC/ORD C441. Install per chimney manufacturer's instructions (see page 9)

SAFETY EQUIPMENT (RECOMMENDED)

- Safety Glasses
- Gloves
- Closed-toed Shoes
- A friend (the stove is heavy, do not attempt to move the stove without assistance)

BATTERY INFORMATION

The remote that is shipped with your stove comes with two (2) AAA Batteries installed.

IMPORTANT:

- Non-rechargeable batteries are not to be recharged.
- Batteries are to be inserted with the correct polarity.
- Exhausted batteries are to be removed from the remote.
- Caution for ingestion.

⚠ WARNING: DO NOT DISPOSE OF BATTERIES IN FIRE. BATTERIES MAY EXPLODE OR LEAK.

⚠️ WARNING

- **INGESTION HAZARD:** This product contains a button cell or coin battery.
- **DEATH** or serious injury can occur if ingested.
- A swallowed button cell or coin battery can cause **Internal Chemical Burns** in as little as **2 hours**.
- **KEEP** new and used batteries **OUT OF REACH** of **CHILDREN**
- **Seek immediate medical attention** if a battery is suspected to be swallowed or inserted inside any part of the body.



- This product contains a lithium button/coin cell battery. If a new or used lithium button/coin cell battery is swallowed or enters the body, it can cause severe internal burns and can lead to death in as little as 2 hours. Always completely secure the battery compartment. If the battery compartment does not close securely, stop using the product, remove the batteries, and keep it away from children. If you think batteries might have been swallowed or placed inside any part of the body, seek immediate medical attention. Call a local poison control center for treatment information.
- Remove and immediately recycle or dispose of used batteries according to local regulations and keep away from children. Do NOT dispose of batteries in household trash or incinerate. Even used batteries may cause severe injury or death.
- Non-rechargeable batteries are not to be recharged. Do not force discharge, recharge, disassemble, heat above (manufacturer's specified temperature rating) or incinerate. Doing so may result in injury due to venting, leakage or explosion resulting in chemical burns.
- Ensure the batteries are installed correctly according to polarity (+ and -). Do not mix old and new batteries, different brands or types of batteries, such as alkaline, carbon-zinc, or rechargeable batteries. Remove and immediately recycle or dispose of batteries from equipment not used for an extended period of time according to local regulations.

SAFETY PRECAUTIONS

HAVE AN ESTABLISHED PLAN FOR WHAT TO DO IN THE EVENT OF A FIRE. CONTACT YOUR LOCAL FIRE AUTHORITY TO ACQUIRE INFORMATION AND A PLAN FOR WHAT TO DO IN THE EVENT OF A CHIMNEY FIRE.

⚠️ WARNING: DO NOT INSTALL IN SLEEPING ROOM.

⚠️ CAUTION: HANDLE STOVE WITH CARE. AVOID STRIKING, SCRATCHING OR SLAMMING GLASS ASSEMBLIES. DO NOT OPERATE WITH CRACKED, BROKEN OR SCRATCHED GLASS.

⚠️ WARNING: HOT WHILE IN OPERATION. KEEP CHILDREN, CLOTHING AND FURNITURE AWAY. CONTACT MAY CAUSE SKIN BURNS.

⚠️ WARNING: NEVER LEAVE CHILDREN NEAR THE STOVE UNATTENDED WHILE THE STOVE IS OPERATING.

⚠️ WARNING: DO NOT OVERFIRE. OVERFIRING THE APPLIANCE MAY CAUSE A FIRE. IF THE UNIT OR CHIMNEY CONNECTOR GLOWS, YOU ARE OVERFIRING.

⚠️ WARNING: THIS WOOD HEATER HAS A MANUFACTURER-SET MINIMUM LOW BURN RATE THAT MUST NOT BE ALTERED. IT IS AGAINST FEDERAL REGULATIONS TO ALTER THIS SETTING OR OTHERWISE OPERATE THIS WOOD HEATER IN A MANNER INCONSISTENT WITH OPERATING INSTRUCTIONS IN THIS MANUAL.

CARBON MONOXIDE

WARNING:

⚠️ WHEN USED WITHOUT ADEQUATE COMBUSTION AND VENTILATION AIR, THIS STOVE MAY GIVE OFF EXCESSIVE CARBON MONOXIDE, AN ODORLESS, POISONOUS GAS.

WARNING:

⚠️ EARLY SIGNS OF CARBON MONOXIDE POISONING RESEMBLE THE FLU, WITH HEADACHE, DIZZINESS AND/OR NAUSEA. IF YOU HAVE THESE SIGNS, STOVE MAY NOT BE WORKING PROPERLY. GET FRESH AIR AT ONCE! HAVE STOVE SERVICED.

SOME PEOPLE - PREGNANT WOMEN, PERSONS WITH HEART OR LUNG DISEASE, ANEMIA, THOSE UNDER THE INFLUENCE OF ALCOHOL, THOSE AT HIGH ALTITUDES - ARE MORE AFFECTED BY CARBON MONOXIDE THAN OTHERS.

Regardless of how safe this stove is, every fuel burning appliance creates Carbon Monoxide. It is always a good plan to reduce risk to you and your loved ones as much as possible by installing a Carbon Monoxide detector. It is recommended to install monitors in areas that are expected to generate carbon monoxide such as heater fueling areas, pellet fuel bulk storage areas, or sheds containing hydronic heaters. Follow the installation, operation, & maintenance instructions provided by the manufacturer of your detector.

SMOKE DETECTORS

Have at least 1 smoke detector on each floor of your building. Follow the installation, operation, & maintenance instructions provided by the manufacturer of your detector. Avoid false alarms by placing the detector outside the immediate vicinity of the stove. Typically a good installation location for smoke detectors is near bedrooms.

FOR MORE SAFETY INFORMATION

For auxiliary information regarding pellet stove safety and operation information contact the National Fire Protection Association (NFPA) by mail at:

NFPA, Batterymarch Park, Quincy, MA 02269

or visit the NFPA website:

<https://www.nfpa.org/>

CLEARANCE TO COMBUSTIBLES

The following stated clearances represent the minimum distances between the stove and any other object. No objects should encroach into this space. This includes but is not limited to carpet, furniture, children, pets, clothing, fuel, or any other object. These clearances may only be reduced by means approved by the regulatory authority having jurisdiction.

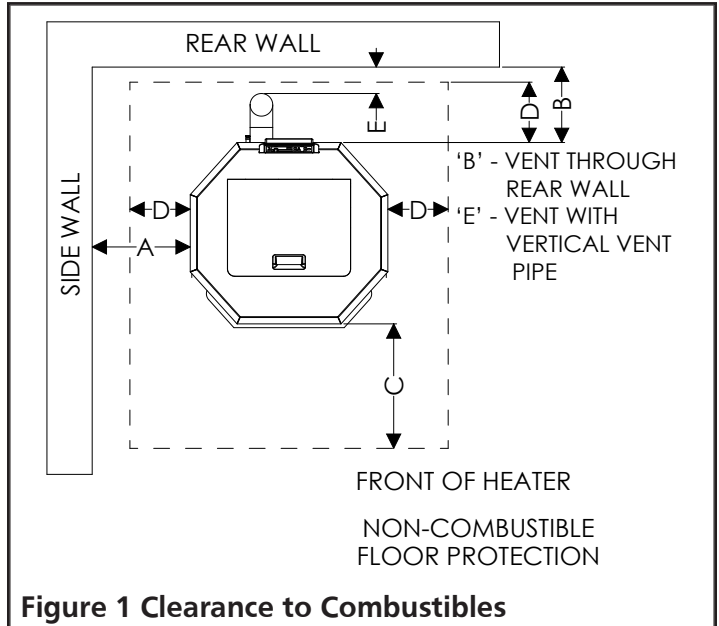


Figure 1 Clearance to Combustibles

	USA	CANADA
A	13" (330 mm)	13" (330 mm)
B	2" (51 mm)	2" (51 mm)
C	18" (457 mm)	18" (457 mm)
D	8" (203 mm)	8" (203 mm)
E	3" (76 mm)	3" (76 mm)

FLOORING SPACE & CLEARANCES

When installed on a combustible floor, non-combustible floor protection is required to:

- Cover the area beneath the stove and extend at least 18 inches (457 mm) to the front
- Cover the area at least 8 inches (203 mm) beyond each side of the room heater.
- Cover the area under the exhaust venting and 2 inches (50.8 mm) beyond each side.

Additionally, the wood pellet fire stove shall be positioned such that:

- It has at least 13" (330 mm) of clearance from the each side to the nearest body.

- It has at least 2" (51 mm) of clearance from the rear to the nearest body.
- Vertical runs of vent pipe must be at least 3" (76 mm) from any wall.

Finally, the area which the wood pellet fire stove is installed shall have a floor-to-ceiling distance of at least 84" (2134 mm).

FLOORING MATERIAL

Floor protection must be all of the following:

- Listed to UL 1618.
- At least 0.5" (13 mm) thick
- Constructed of non-combustible material.
- Have either:

Thermal resistance value R of $1.19 \frac{(\text{ft}^2)(\text{hr})(^\circ\text{F})}{\text{Btu}}$

Thermal conductivity value k of $0.84 \frac{(\text{Btu})(\text{inch})}{(\text{ft}^2)(\text{hr})(^\circ\text{F})}$

For assistance evaluating the suitability of substitute materials, the following equivalences of specifications and example below have been provided.

Thermal conductivity $k = \frac{\text{thickness}}{R} \left(\frac{(\text{Btu})(\text{inch})}{(\text{ft}^2)(\text{hr})(^\circ\text{F})} \text{ or } \frac{W}{(\text{m})(^\circ\text{K})} \right)$

Thermal conductance $C = \frac{1}{R} \left(\frac{(\text{Btu})}{(\text{ft}^2)(\text{hr})(^\circ\text{F})} \text{ or } \frac{W}{(\text{m}^2)(^\circ\text{K})} \right)$

Example: Required to protect floor with R value of $1.19 \frac{(\text{ft}^2)(\text{hr})(^\circ\text{F})}{\text{Btu}}$.

Evaluating merit of 2 inch (57 mm) thick brick with thermal conductivity $k = 4.16 \frac{(\text{Btu})(\text{inch})}{(\text{ft}^2)(\text{hr})(^\circ\text{F})}$ on top of 1/2 inch (6.3 mm) thick mineral board that has C value of $2.3 \frac{(\text{Btu})}{(\text{ft}^2)(\text{hr})(^\circ\text{F})}$.

Step 1. Calculate the R value of each floor material

$$R_{\text{BRICK}} = \frac{\text{thickness}}{k} = \frac{2.25}{4.16} = 0.54$$

$$R_{\text{BOARD}} = \frac{1}{C} = \frac{1}{2.3} = 0.434$$

Step 2. Add the equivalent R values for each floor material

$$R_{\text{BRICK}} + R_{\text{BOARD}} = 0.54 + 0.434 = 0.974$$

Step 3. This combined R value is **insufficient** and so more protection must be provided. For example, by using 2 layers of bricks:

$$R_{\text{BRICK}} + R_{\text{BRICK}} + R_{\text{BOARD}} = 0.54 + 0.54 + 0.434 = 1.514$$

Step 4. Because this combined R value is larger than the specification, this is a sufficient method for protecting the floor area underneath the stove.

UNPACKING

1. Remove heater from carton.
2. Remove all protective packaging applied to heater for shipment.
3. Check heater for any shipping damage. If any damage is found immediately contact the manufacturer at 1-833-950-1184.

⚠ CAUTION: DAMAGED PARTS MAY COMPROMISE SAFE OPERATION.

- **DO NOT INSTALL INCOMPLETE COMPONENTS.**
- **DO NOT INSTALL SUBSTITUTE COMPONENTS.**
- **DO NOT INSTALL DAMAGED COMPONENTS.**

4. Some components are packaged unattached from the stove in order to ensure their safety during shipping. Please find the protective packaging, likely inside the stove door, to proceed with assembly.

ASSEMBLY

STEP 1 - Display Panel

Insert the display panel into the top and rear of the stove. Be sure that the display panel screen is facing towards the front of the stove. Secure the screen using two of the provided screws.

STEP 2 - Display Panel Power Cord

This cord should be wrapped up near the top of the stove. Insert free end into the back of the display panel (see figure 16 on page 15). This wire should already be connected to the stove's power board. This connection can be checked behind the access plate at the bottom and rear of stove.

STEP 3 - Main Power Cord

The main power cord attaches to the stove at the exposed socket in the rear of the stove. Once any necessary assembly of the display panel screen is complete you may briefly plug your stove in and press red power button to ON to make sure that it functions properly before proceeding with installation. Turn OFF and unplug the stove once you confirm that the display panel works.

⚠ CAUTION: DO NOT LEAVE THE STOVE PLUGGED INTO ANY ELECTRICAL SUPPLY DURING ASSEMBLY OR INSTALLATION.

STEP 4 - Firepot

With the stove unplugged from any power supply, the firepot should be inserted into the stove so that it is securely positioned and also the hot surface igniter should be able to make physical contact with pellets that would be held in the firepot. See Figure 2 or 3.

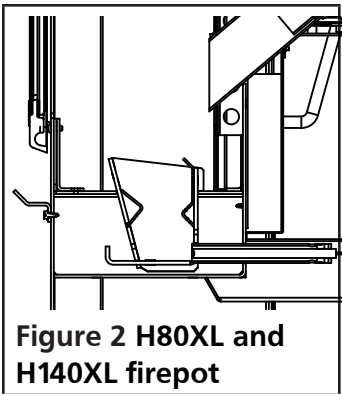


Figure 2 H80XL and H140XL firepot

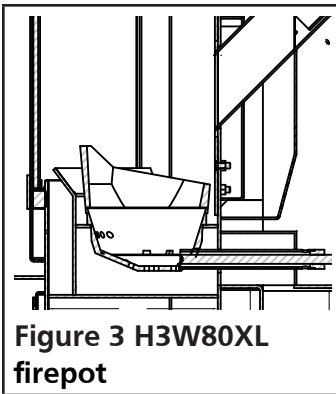


Figure 3 H3W80XL firepot

A cleaning tool is also packaged which facilitates safely cleaning the firepot perforations of debris.

STEP 5 - Air Intake Kit

Locate the air intake kit packaged with the stove. See Figure 4. Take measurements of your space and plan for the installation of horizontal venting to the outside as may be required per recommendations in "FRESH AIR AND VENTILATION REQUIREMENTS 1" on page 9. Follow all ventilation requirements and guidelines specified in "INSTALLATION" on page 8.

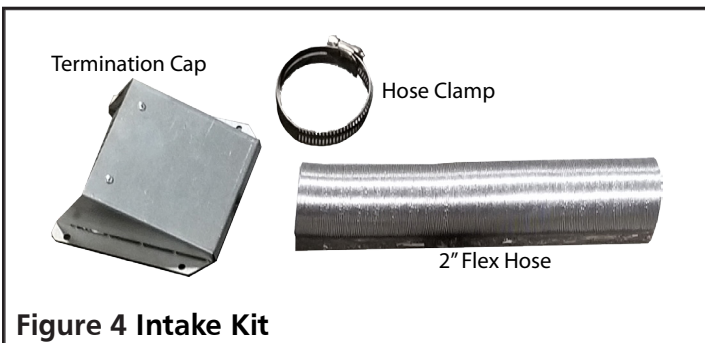


Figure 4 Intake Kit

Additional Assembly H80XL, H140XL

- The door handle: open the door, and screw the plastic grip onto the thread of the handle.



Figure 5 Door Handle

INSTALLATION

CONTACT INFORMATION

If you have any questions regarding ventilation options of your stove, contact either:

The manufacturer Enerco Group, Inc. at 1-833-950-1184. Our office hours are 8:00 AM – 5:00 PM, EST, Monday through Friday.

The National Fire Protection Association (NFPA) and request a copy of the latest editions of NFPA Standard 211. The mailing address of the NFPA is Batterymarch Park, Quincy, MA 02269.

⚠ WARNING: WHEN THIS STOVE IS NOT PROPERLY INSTALLED, A HOUSE FIRE MAY RESULT. TO REDUCE THE RISK OF FIRE, FOLLOW THE INSTALLATION INSTRUCTIONS. CONTACT LOCAL BUILDING OR FIRE OFFICIALS ABOUT RESTRICTIONS AND INSTALLATION INSPECTION REQUIREMENTS IN YOUR AREA.

⚠ CAUTION: ANY DEVIATION OR ALTERATION FROM THESE INSTALLATION INSTRUCTIONS MAY RESULT IN DAMAGE TO YOU, THE STOVE, YOUR CHIMNEY, AND YOUR HOME. YOUR WARRANTY MAY BECOME VOID. READ AND FOLLOW ALL INSTRUCTIONS. Contact Master Forge with any comments, concerns, or questions.

⚠ CAUTION: CONTACT LOCAL BUILDING OR FIRE OFFICIALS ABOUT RESTRICTIONS AND INSTALLATION INSPECTION REQUIREMENTS IN YOUR AREA.

PLANNING

Make sure that you have selected the correct stove for your heating requirements by checking the specifications table on page 3.

Take measurements of your space and plan for your chimney system as detailed in the following instructions.

This stove may be installed for use in a mobile home. In addition to the following instructions, review and adhere to the mandatory requirements on page 11.

ELECTRICAL CONSIDERATIONS

The rear of the stove will need to be within power cord distance, which is roughly 80 inches (203 cm), of an electrical outlet. Lay the power cord out such that it will not come into contact with the stove's surface.

FRESH AIR AND VENTILATION REQUIREMENTS

When deciding the location of the stove ensure that the space will always have a source of fresh air available. Failure to do so may result in air starvation of other fuel burning appliances and the possible development of hazardous conditions.

Provision for outside combustion air may be necessary to ensure that fuel-burning appliances do not discharge products of combustion into the house. Guidelines to determine the need for additional combustion air may not be adequate for every situation. If in doubt, it is advisable to provide additional air. Outside combustion air may be required if these or other indications suggest that infiltration air is inadequate:

- The wood pellet fired stove does not draw steadily, experiences smoke roll-out, burns poorly, or back-drafts, whether or not there is combustion present.
- Existing fuel-fired equipment in the house, such as fireplaces or other heating appliances, smell, do not operate properly, suffer smoke roll-out when opened, or back-draft, whether or not there is combustion present.
- Any of the above symptoms are alleviated by opening a window slightly on a calm (windless) day.
- The house is equipped with a well-sealed vapor barrier and tight fitting windows and/or has any powered devices which exhaust house air.
- There is excessive condensation on windows in the winter.
- A ventilation system is installed in the house.

Additional combustion air may be directly provided from the outdoors to the wood pellet fired stove by using the included air intake kit to connect to the inlet at the bottom and rear of the stove. Any such installation must satisfy Clause 4 of CSA Standard B365.

⚠ CAUTION: NEVER DRAW OUTSIDE COMBUSTION AIR FROM:

- A WALL, FLOOR OR CEILING CAVITY.
- AN ENCLOSED SPACE SUCH AS AN ATTIC, GARAGE OR CRAWL SPACE.

⚠ CAUTION: IF USING AN AIR INTAKE CONNECTION THEN THE STOVE MUST BE INSTALLED SUCH THAT IT IS ATTACHED TO THE STRUCTURE.

ADDITIONAL VENTING REQUIREMENTS

A minimum 6 feet of total vent pipe (not including elbows) must be utilized.

- Use 3" vent pipe for the entire system OR a 4"/6" adapter may be used on the exhaust immediately as it leaves the stove.
- If the system is above 16 feet, use 4" vent pipe.
- Minimum amount of vertical pipe is 4 feet and a 45 degree / vent cap is required at venting termination.

IMPORTANT: Silicone seal must be added between the double walls of the terminal pipe.

CONNECTOR REQUIREMENTS AND ASSEMBLY

⚠ CAUTION: A CHIMNEY CONNECTOR SHALL NOT PASS THROUGH AN ATTIC OR ROOF SPACE, CLOSET OR SIMILAR CONCEALED SPACE, OR A FLOOR, OR CEILING. WHERE PASSAGE THROUGH A WALL, OR PARTITION OF COMBUSTIBLE CONSTRUCTION IS DESIRED, THE INSTALLATION SHALL CONFORM TO CAN/CSA-B365, INSTALLATION CODE FOR SOLID-FUEL-BURNING APPLIANCES AND EQUIPMENT

Any connector pipes or elbows should be installed with the crimped end on the stove end of the path (not the chimney cap end) and should be secured with three evenly spaced sheet metal screws.

Connectors, elbows, and chimneys should be type 'L' or 'PL' and have a 80mm, or 3 inch diameter as the flue system is based on negative pressure in the combustion chamber and a slight overpressure on the flue gas outlet. It is therefore important that the flue gas connection is fitted correctly and is airtight. It is recommended that connectors, elbows, and chimneys be at least 24 gauge, double walled, type B ventilation.

Note that bends in the exhaust path restricts air flow, reducing performance and provides a collection point for ash deposits requiring more frequent cleaning.

⚠ CAUTION: THE JOINTS OF ANY AND ALL CONNECTIONS FOR ANY VENTILATION SYSTEMS (COMBUSTION EXHAUST AND OPTIONAL INLET AIR DUCT) MUST BE SEALED WITH HIGH TEMPERATURE SILICONE.

GENERAL VENTING REQUIREMENTS

⚠ CAUTION: DO NOT CONNECT TO ANY AIR DISTRIBUTION DUCT OR SYSTEM.

⚠ CAUTION: DO NOT CONNECT THIS UNIT TO A CHIMNEY FLUE SERVING ANOTHER APPLIANCE.

⚠ CAUTION: DO NOT INSTALL A FLUE DAMPER IN THE EXHAUST VENTING SYSTEM OF THIS WOOD PELLET FIRED STOVE.

⚠ CAUTION: DO NOT INSTALL IN ANY FIREPLACE.

This wood pellet fire stove must be connected to either of the following:

- Class A listed chimney complying with the requirements for Type HT chimneys in the Standard for Chimneys, Factory-Built, Residential Type and Building Heating Appliance, UL 103.
- A International Conference of Building Officials (ICBO) standards for solid fuel Stoves code-approved masonry chimney.

VENT TERMINATION

- Install exhaust vent at clearances specified by the vent manufacturer.
- Install exhaust vent terminations at clearances specified by the vent manufacturer.
- If using the air intake kit, ensure that there is at least 12 inches clearance between the exhaust vent termination and the intake air inlet.
- It is recommended to keep at least 12" (30.5 cm) of clearance between any vent termination and windows, doors, or outside corners.

- Use silicone to create an effective vapor barrier at the location where the chimney or other component penetrates to the exterior of the structure.
 - For additional requirements check local codes.
- Any vertically terminated chimney systems must meet the following minimum requirements:
- Must be at least 15 feet (4.6 m) tall, measured from the top of the stove to the tip of the chimney cap.
 - Must be at least 3 feet above the roof, measured from the highest point of contact with the roof and the tip of the chimney cap.
 - Must be at least 2 feet (61 cm) above the highest point of the slope of the roof within 10 feet (305 cm) horizontally.

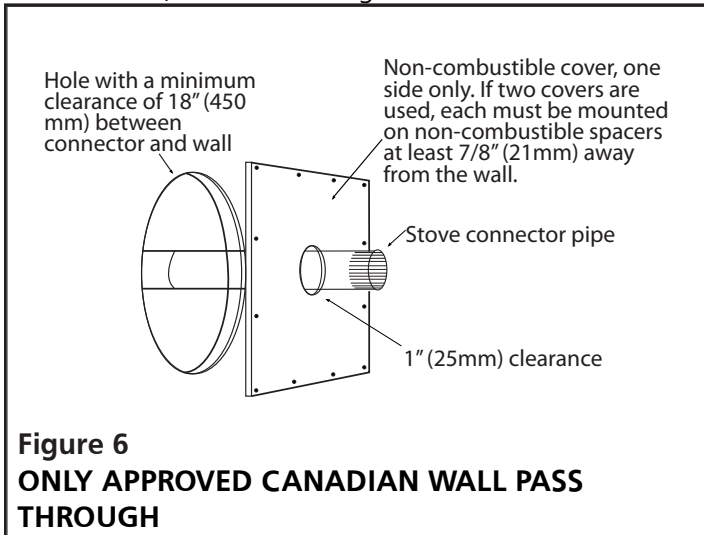
Any horizontally terminated chimney systems must meet the following minimum requirements:

- Must have at least 12" (30.5 cm) clearance above grade, veranda porch, deck or balcony (including vegetation and mulch).

PASSING THROUGH A WALL

Where passage through a wall or partition of combustible construction is desired, the installation shall conform to chimney manufacturer's instructions.

NOTE: In Canada, installation must conform to CAN/CSA-B365 when passing through combustible construction, illustrated in figure 6 .



NFPA 211 (US ONLY) APPROVED WALL PASS THROUGH TECHNIQUES

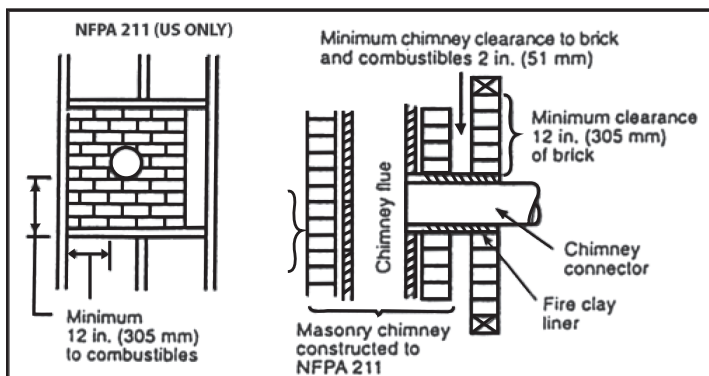


Figure 7 (US ONLY)

Brick Masonry: Minimum 3.5 inch (89 mm) thick brick masonry all framed into combustible wall with a minimum of 12 inch (305 mm) brick separation from clay liner to combustibles. The fireclay liner shall run from outer surface of brick wall to, but not beyond, the inner surface of chimney flue liner and shall be firmly cemented in place.

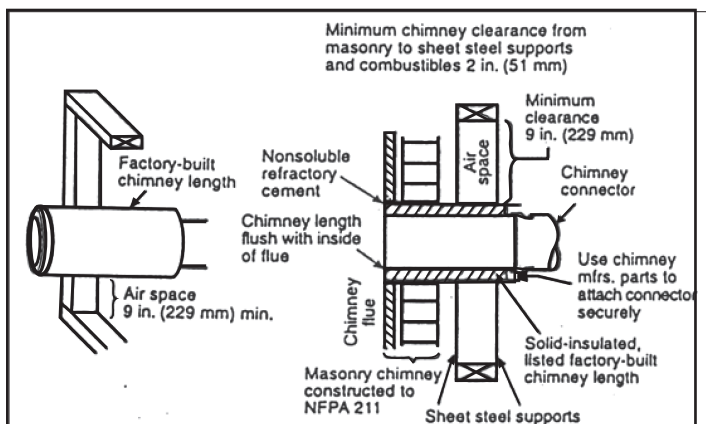


Figure 8 (US ONLY)

Insulated Sleeve: Solid-insulated, listed factory-built chimney length of the same inside diameter as the chimney connector and having 1 inch (25.4 mm) or more of insulation with a minimum 9 inch (229 mm) air space between the outer wall of the chimney length and combustibles.

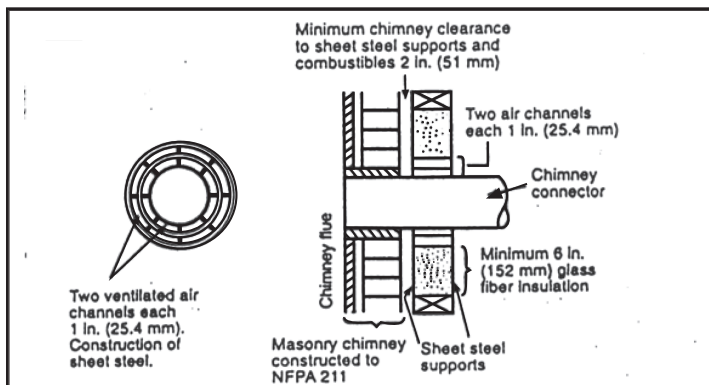


Figure 9 (US ONLY)

Ventilated Thimble: Sheet steel chimney connector, minimum 24 gauge in thickness, with a ventilated thimble, minimum 24 gauge in thickness, having two 1 inch (25.4 mm) air channels, separated from combustibles by a minimum of 6 inches (152 mm) of glass fiber insulation. Opening shall be covered, and thimble supported with a sheet steel support, minimum 24 gauge in thickness.

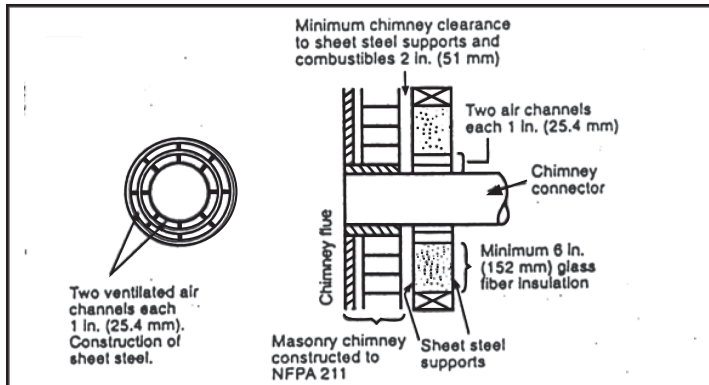


Figure 10 (US ONLY)

Chimney Section Pass-through: Solid insulated, listed factory-built chimney length with an inside diameter 2 inches (51 mm) larger than the chimney connector and having 1 inch (25.4 mm) or more of insulation, serving as a pass-through for a single wall sheet steel chimney connector of minimum 24 gauge thickness, with a minimum 2 inches (51 mm) of air space between the outer wall of chimney section and combustibles. Minimum length of chimney section shall be 12 inches (305 mm) chimney section spaced 1 inch (25.4 mm) away from connector using sheet steel support plates on both ends of chimney section. Opening shall be covered, and chimney section supported on both sides with sheet steel support securely fastened to wall surfaces of minimum 24 gauge thickness. Fasteners used to secure chimney section shall not penetrate chimney flue liner.

ADDITIONAL MOBILE HOME REQUIREMENTS

⚠ WARNING: DO NOT INSTALL IN SLEEPING ROOM.

PARTS & MATERIALS REQUIRED (NOT SUPPLIED)

- A 80mm diameter chimney which complies to UL 103, Standard for Factory-Built Chimneys for Residential Type and Building Heating Appliances.
- Ceiling thimble suitable for use in mobile home.
- Roof thimble suitable for use in mobile home.
- Spark arrestor suitable for use in mobile home.
- Roof flashing suitable for use in mobile home.

ADDITIONAL INSTALLATION REQUIREMENTS

- The chimney shall attach directly to the room heater and shall extend at least 3 feet (0.9 m) above the part of the roof through which it passes.
- The top of the chimney is to be at least 2 feet (0.6 m) above the highest required elevation of any part of the mobile home within 10 feet (3 m) of the chimney.
- All roof-chimney terminations shall be able to be readily removed at or below an elevation of 13½ feet (4.1 m) above ground level and reinstalled without the use of special tools or instructions.
- The chimney assembly shall be provided with a mechanical securement means to secure the chimney to the ceiling support box.
- Chimney Guard Requirements:
 - When the chimney exits the mobile home at a location other than through the roof, and exits at a point 7 feet (2.1 m) or less above the ground level on which the mobile home is positioned, a guard or method of enclosing the chimney shall be provided at the point of exit for a height up to 7 feet.
 - The chimney guard shall not have any openings large enough that a 3/4 inch diameter rod can enter.
 - The chimney guard shall not have any openings large enough that a 1/2 inch diameter rod can enter beyond 4 inches
- The stove must be on installed on a level surface which can support the weight of the stove.
- The stove must be bolted to the level surface so that it permanently secured and can not be moved, tipped, or have ventilation seals compromised.
- The stove must be provided a permanently ducted source of outside air to support combustion which meets the following requirements:
 - The duct must be made of metal exclusively, not other materials such as plastic.

- The end of this duct must be equipped with a screen which prevents rodents from infiltrating.
 - The end of this duct must be kept free of leaves, snow, ice, or other debris that could restrict air supply when the appliance is in operation.
- The joints of any and all connections for both of ventilation systems (the inlet air and the combustion exhaust) must be sealed with high temperature silicone.
 - The chimney must comply with all applicable codes and requirements of the authority having jurisdiction.
 - The chimney must be removed for any mobile home transportation, and reinstalled abiding all requirements after transportation.

The flue system is based on negative pressure in the combustion chamber and a slight overpressure on the flue gas outlet. It is therefore important that the flue gas connection is fitted correctly and is airtight.

⚠ CAUTION: THE STRUCTURAL INTEGRITY OF THE MOBILE HOME FLOOR, WALL, CEILING, AND ROOF MUST BE MAINTAINED.

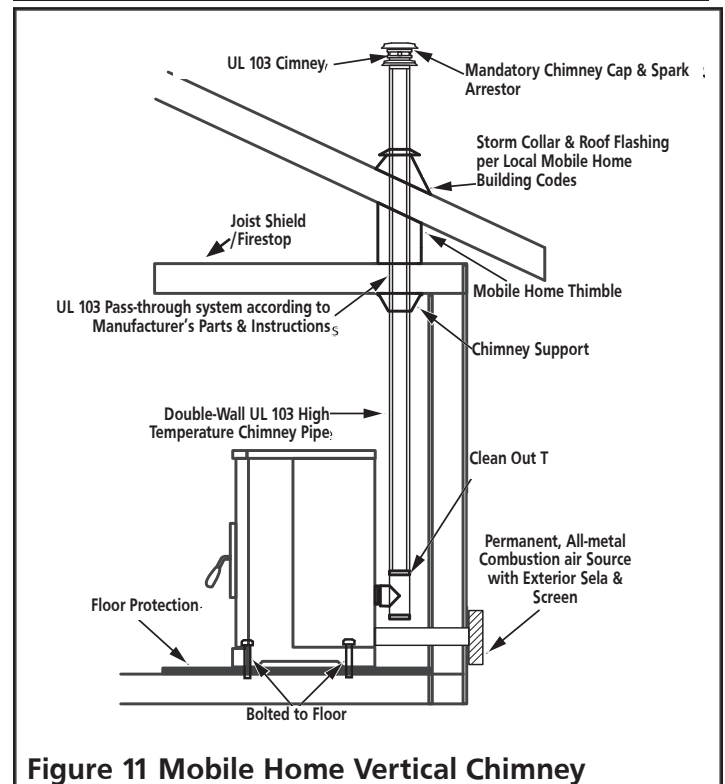


Figure 11 Mobile Home Vertical Chimney

LINED MASONRY CHIMNEY INSTRUCTIONS & DIAGRAM

This stove is designed to be vented through a masonry chimney which conforms to local building codes, fire codes, and latest edition of NFPA 211 US or CAN/CSA-B365.

1. If the connection piping from the stove to a masonry chimney is made through a combustible wall, consult a qualified mason or chimney dealer for consultation. To ensure safety, the installation should only be done by a qualified installer. The installation must conform to the regulations established by local fire codes and building codes
2. The chimney connection must not be obstructed by the chimney connector pipes, such as the figure 12 below illustrates.

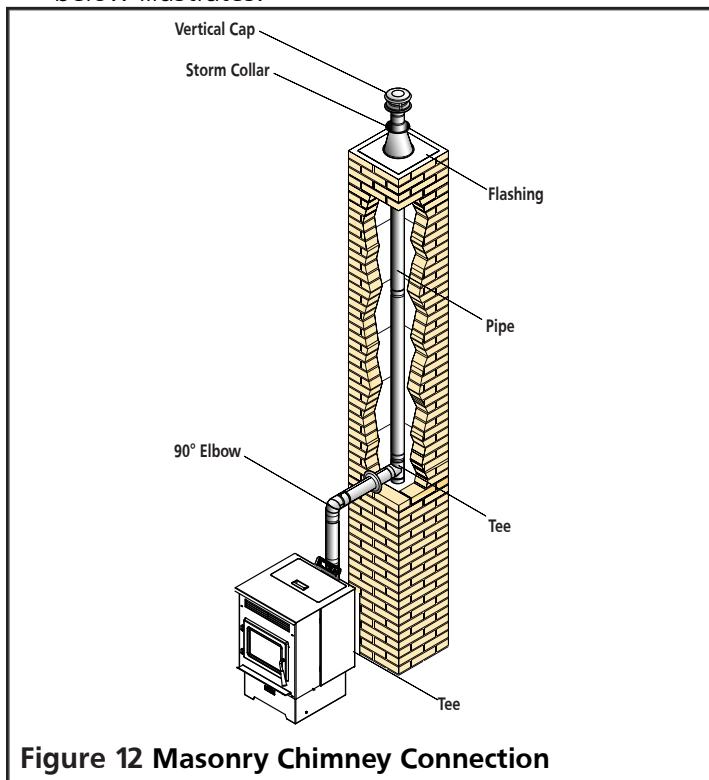


Figure 12 Masonry Chimney Connection

3. If there is an opening at the base of the chimney it must be closed tightly.

MANUFACTURED CHIMNEY INSTRUCTIONS & DIAGRAM

⚠ WARNING: DO NOT USE SINGLE-WALL CONNECTION PIPE AS A CHIMNEY.

This stove is designed to be used with either a UL 103HT (US)/ULC-S629 (CAN) listed manufactured chimney or an approved lined masonry chimney. Not all manufactured chimneys are UL103 HT/ULC-S629 listed. Home centers, hardware stores, HVAC supply stores, and the Online websites of chimney manufacturers will be able to provide stove pipe that is rated to these standards.

This listing indicates that the Chimney is rated for high temperatures up to 2100°F (1149°C)

Only use components that all come from the same manufacturer. Do not mix brands of components for the same ventilation system.

Master Forge Wood Pellet Fire Stove

The following figures illustrate various methods and requirements of using a manufactured chimney and connection pipes to vent the stove.

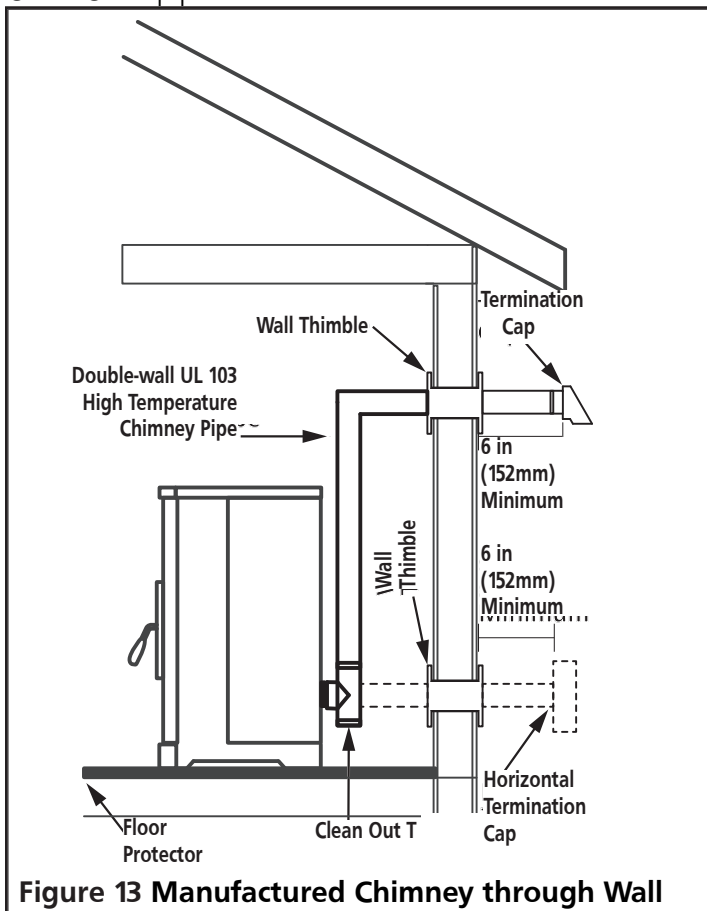


Figure 13 Manufactured Chimney through Wall

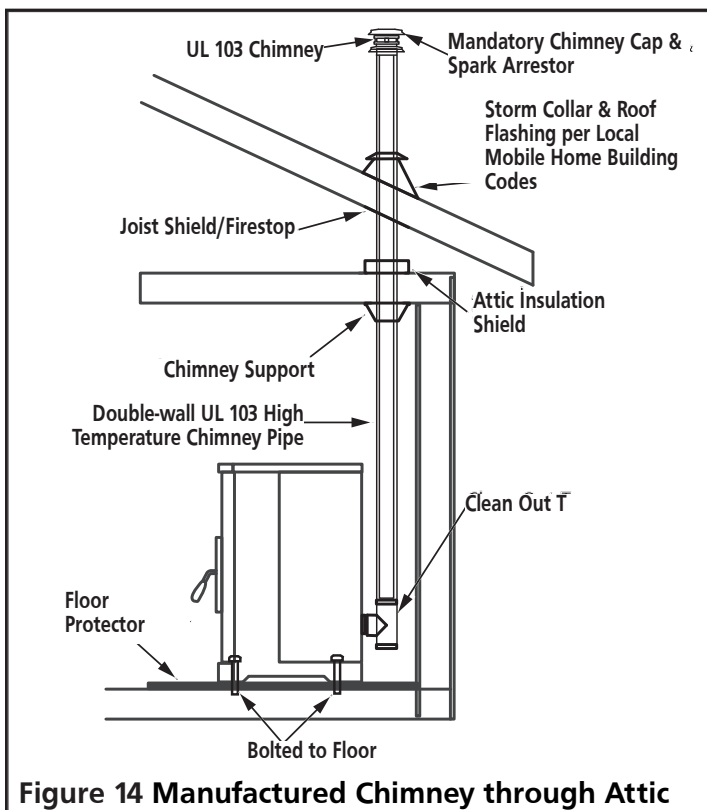
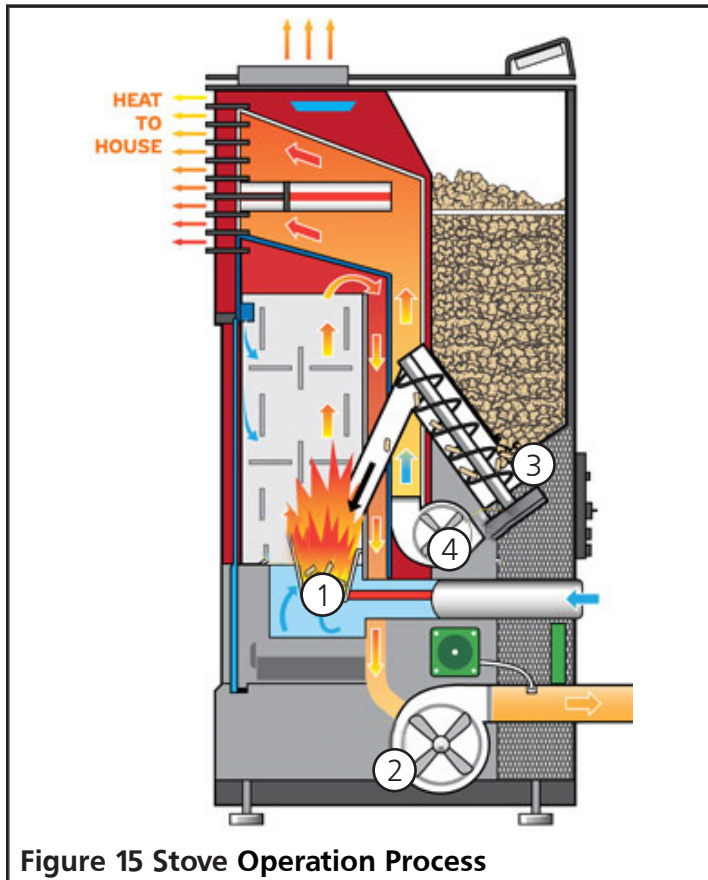


Figure 14 Manufactured Chimney through Attic

OPERATION

THEORY OF OPERATION

1. Combustion occurs in the fire pot, supported by air introduced to and under the fire pot. Note that some air blows in from the top of the combustion chamber; this helps keep ash and debris from accumulating on the door.
2. The exhaust blower draws combustion products from the stove and directs it out user-installed venting.
3. The auger transfers pellets from the hopper to the fire pot to sustain the fire.
4. A convection blower propagates air along the outside of the fire box, circulating warm and clean air into the room.



APPROVED FUEL:

Do not use less than PFI premium-grade pellets. Use 100% natural hardwood pellets, untreated and without bonding agents added (max bark proportion of 5%) are the only fuel approved for use with this pellet stove. For best results see the specifications below:

- Calorific Value of 5.3 kWh/kg
- Density of 700 kg/m³
- The pellets should be low ash (less than 1 % ash)
- The pellets should be less than 30mm long, with a diameter between 5 and 6.5 mm.

- Do not use the pellet sediment & debris at the bottom of the pellet container.
- Store pellets in sacks, made of environmentally neutral or biologically degradable plastic or from paper (2-3 layers / similar to cement packaging).

Use of wood pellets that do not meet these specifications may result in ignition difficulty, accelerated creosote or fly ash build up, incomplete combustion, low heat yield, and blackening of the glass in the door.

- ⚠ **CAUTION: DO NOT USE CHEMICALS OR FLUIDS TO START THE FIRE.**
- ⚠ **CAUTION: DO NOT BURN GARBAGE OR FLAMMABLE FLUIDS SUCH AS GASOLINE, NAPHTHA OR ENGINE OIL.**
- ⚠ **CAUTION: NEVER ATTEMPT TO USE ANY OF THE FOLLOWING MATERIALS AS FUEL:**

- Paper products, cardboard, or particleboard;
- Garbage;
- Animal remains or manure;
- Lawn clippings or yard waste;
- Waste petroleum products;
- Coal;
- Construction or demolition debris;
- Railroad ties or pressure-treated wood;
- Materials containing
 - asbestos
 - plastic
 - rubber (including tires)
- Petroleum products such as
 - paints
 - paint thinners
 - asphalt products

BURNING THESE MATERIALS MAY RESULT IN RELEASE OF TOXIC FUMES OR RENDER THE HEATER INEFFECTIVE AND CAUSE SMOKE

Do not store wood pellet fuel or other fire starting materials on floor protector, underneath stovepipe, or anywhere within minimum clearances from combustible surfaces specified on page 6.

Wood pellet fuel should be stored in a dry, well ventilated area.

- ⚠ **CAUTION: DO NOT store unused pellets in the stove for future use as they may collect moisture. Using wet or damp pellets may result in ignition difficulty, incomplete combustion, and the potential for a hopper fire.**

OPERATING PRECAUTIONS

⚠ WARNING: HOT WHILE IN OPERATION. DO NOT TOUCH THE STOVE. KEEP CHILDREN, CLOTHING AND FURNITURE AWAY. CONTACT MAY CAUSE SKIN BURNS.

⚠ CAUTION: ENSURE THAT THE FIREPOT AND THE PAN UNDERNEATH ARE CLEAN AND IN THE PROPER OPERATING POSITION BEFORE USING THE STOVE.

⚠ WARNING: NEVER USE GASOLINE, GASOLINE-TYPE LANTERN FUEL, KEROSENE, CHARCOAL LIGHTER FLUID, OR SIMILAR LIQUIDS TO START OR 'FRESHEN UP' A FIRE IN THIS HEATER. KEEP ALL SUCH LIQUIDS WELL AWAY FROM THE HEATER WHILE IT IS IN USE.

PAINT CURING

To allow the paint to bond durably to the stove, start by running the stove on P1 High Power for at least 60 minutes. Provide cross ventilation to eliminate odors or smoke cause by this curing process.

OPERATING PROCEDURE: TURN ON STOVE

NOTE: If the display screen indicates that the stove is "Switching Off" the stove can not be interrupted. The Display Message will highlight to indicate that the state will not be changed. Only once the "Switching Off" cycle has finished and the exchanger has cooled can the stove be turned back on again.

1. Plug power cord into socket on the rear bottom of stove and press the red ON/OFF toggle switch above it to ON. See Figure 16.

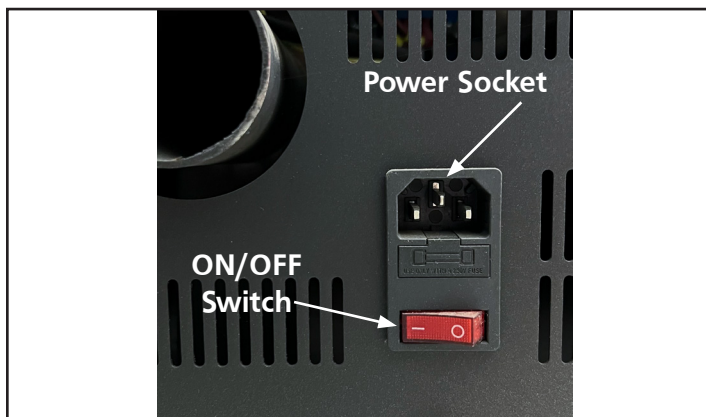



Figure 16 Power Socket/ON/OFF Switch

NOTE: TO PREVENT STOVE FROM BEING OPERATED, TURN OFF RED POWER SWITCH ON BOTTOM, REAR OF STOVE.

2. Make sure that seals on the ash drawer and door are in good condition. If the stove has never been run before, add a handful of pellets directly to the firepot. Close the ash drawer and doors securely, and check that all side panels are all properly installed.

NOTE: DO NOT USE GRATES, IRONS, OR ANY OTHER METHODS OF SUPPORTING WOOD PELLET FUEL. ONLY THE FIREPOT SPECIFIC TO YOUR MODEL OF STOVE MAY BE USED.

3. Open the hopper. Ensure that there are a sufficient number of pellets to satisfy your heating requirements. Close the hopper.
4. Depress the power button  on the display panel for 3 seconds. The stove will begin to automatically progress through the following stages:

- Cleaning Cycle: The firepot draws dust, ash, & remnants out.
- Feeding Cycle: Pellets will be transported from the Pellet Hopper into the fire pot by the auger. This can take 5 to 15 minutes depending on the model of stove.
- Lighting Cycle: The electrically powered hot surface igniter will run the entire lighting cycle and for a couple minutes after the stove reaches stabilizing and also begin combustion of the pellets in the firepot. The heater will remain in the Lighting Cycle until the exhaust smoke reaches a designated temperature.
- Stabilization Cycle: The heater adjusts to fine tune the stove output to the desired temperature. Stabilizing will continue until the stove reaches the thermostat desired temperature.

5. The stove has been successfully turned on.

OPERATING PROCEDURE: TURN OFF STOVE

NOTE: THE STOVE MAY BE TURNED OFF, REGARDLESS OF WHAT CYCLE THE DISPLAY SCREEN INDICATES THAT THE STOVE IS IN, BY DEPRESSING AND HOLDING THE POWER BUTTON FOR TWO SECONDS. ONCE THE DISPLAY SCREEN INDICATES THAT THE STOVE IS IN THE STABILIZATION CYCLE PRESS THE POWER BUTTON AGAIN. THE STOVE WILL ENTER THE COOLING CYCLE, STATED ON THE DISPLAY SCREEN.

⚠ CAUTION: AFTER THE COOLING CYCLE THE STOVE AUTOMATICALLY BEGINS THE PROCESS OF CYCLING ON.

1. Depress the power button on the display panel for 3 seconds. The stove will begin to automatically progress through the following stages:

- Switching Off: Any remaining fuel in the firepot will continue to burn and produce heat and flame. After 5 to 8 minutes the firepot ought to be devoid of fuel. The heat exchanger may then begin to cool off.
- Goodbye: The final message from the display screen to designate that the stove has cooled.

2. The stove has been successfully turned off.

OPERATION WITH AN ELECTRICAL GENERATOR

This stove is designed to have the option of being powered by an electrical generator, though not all electrical generator's may be compatible with this stove. Consult the information regarding your generator's electrical regulator and make sure that it meets the electrical requirements of this stove, as stated on page 3.

MINIMIZING CREOSOTE FORMATION

See "MAINTENANCE" on page 20 for an explanation of Creosote formation and removal. To slow the build up of creosote within your chimney burn only the recommended fuel, see page 14.

DISPOSAL OF ASHES











⚠ CAUTION: EMBERS MAY BE OBSCURED BY ASH. HANDLE ASH WITH TOOLS SUFFICIENT FOR FIRE TENDING, NEVER DIRECTLY WITH YOUR HANDS. WEAR FIRE RETARDANT CLOTHING AND PROTECTIVE EYEWARE.

Ashes should be placed in a metal container with a tight fitting lid.

1. Other waste shall not be placed in ash containers.
2. The closed container of ashes should be placed on a noncombustible floor or on the ground, well away from all combustible materials, pending final disposal.
3. Wood mineral residue (approximately 1-2%) remains in the ash and is an excellent natural fertilizer product for all garden plants. Before disposing ashes of by burial in soil or otherwise locally dispersed, they should be retained in the closed container until all any and all cinders have thoroughly cooled and should also be "quenched" with water.

Remote Button Functionality:

The buttons on the remote controller affect the stoves operation in the same way that the mounted button do:

Remote Controller Button	Mounted Button Counterpart
	
	
	
	
	

Note: There are no lights or display screen on the remote controller that can indicate to you that the button presses are being received by the stove. In order to remotely control the stove but also monitor its settings, try installing the Smart Stove app.

Note: The range of the remote controller is 16 ft. (5m).

SMART STOVE WIFI CONNECTION

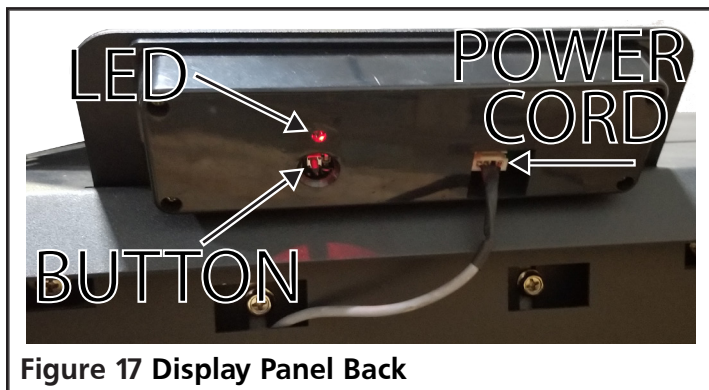
This stove can be monitored, controlled, and programmed by using the smart stove app by NHHATC which is available for iOS or android device through the app store.

- Step 1. Download the Smart Stove app by NHHATC.
- Step 2. Open the Smart Stove app. The app opens, by default, to the "Register" screen. Click on the "Register" button.
- Step 3. Enter your email address in the "Email" field and click the "Get Verification Code" button.
- Step 4. Enter the verification code that was emailed to you in the "Enter Verification Code" field.
- Step 5. Now you can set a unique password for your device in the "Set Password" field and hit the "Done" button.
- Step 6. If you have no other wifi enabled devices already added to this app there will be a large "Add Device" button in the center of the screen which you can select. Otherwise, select the + symbol in the top right of the screen.

Step 7. Make sure that your device is connected to the wifi network which you want the stove to be connected to.

Step 8. Make sure that the wood pellet fire stove is plugged into an electrical outlet and can be powered on.

Step 9. Follow the directions on the screen by pressing and holding the connection button for 3 seconds on the rear of the display panel as illustrated in the figure below. Once you observe the desired blinking pattern on the indicator light, press the confirmation button at the bottom of the screen.



Step 10. Enter the password for the wifi network so that the stove can connect to the wifi network.

Step 11. The stove will begin pairing with the device running the application through the wifi network. This process may take a few minutes.

Step 12. After the device and stove are paired, you will be able to see the pellet stove as a connection option on the "Devices" tab at the bottom of the app screen.

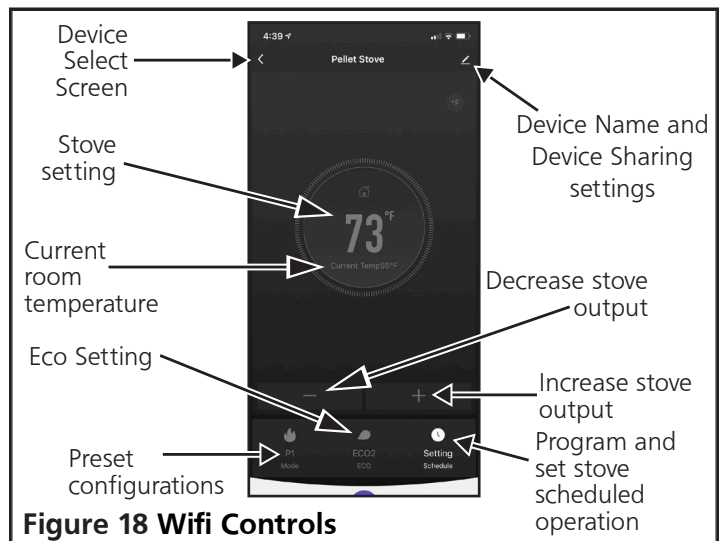
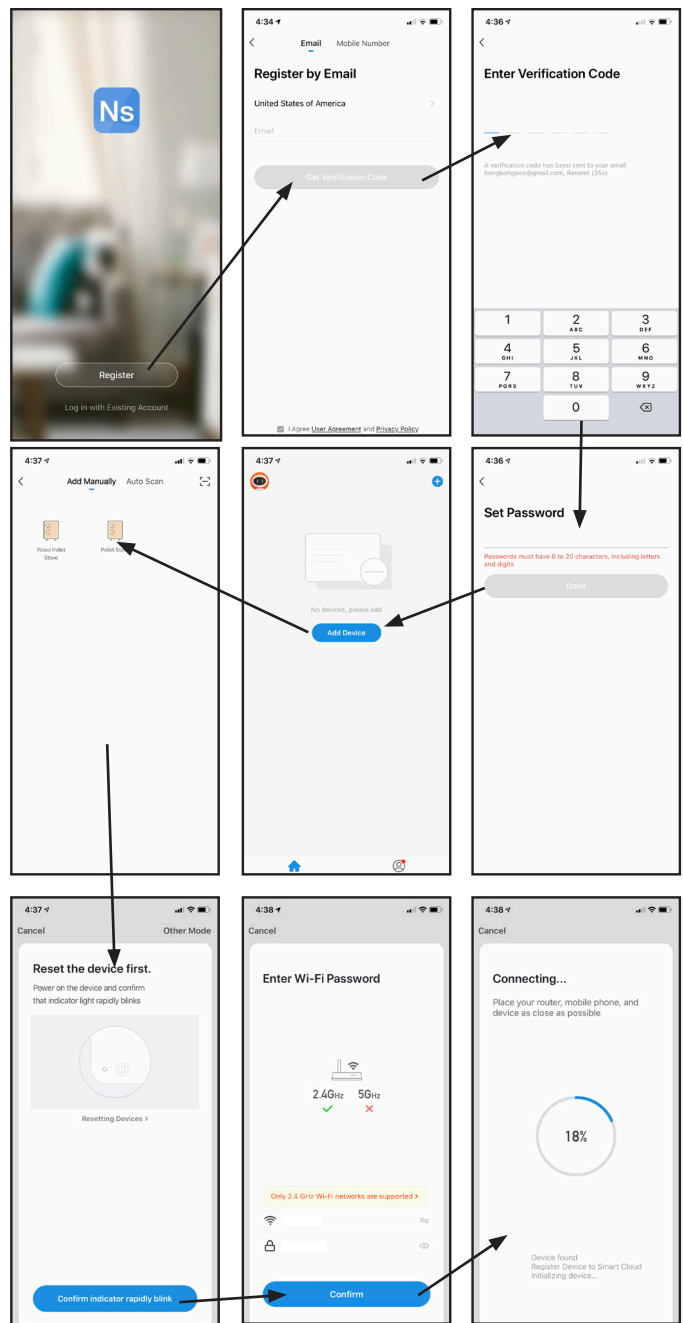
Step 13. On your device, go to your device's wifi settings which will now include the stove as an option. Select the stove as your wifi connection.

Step 14. Open the Smart Stove phone app again.

Step 15. You may now select this stove from this added devices list in order to monitor, control, and program the stoves operation.

WIFI CONTROLS

Once connected to the stove (See step 13 of Wifi Connection) you can remotely monitor and adjust the operation of the stove. See below for explanation: (con't on page 18):



H80XL, H140XL, AND H3W80XL MULTI FUNCTION CONTROLS

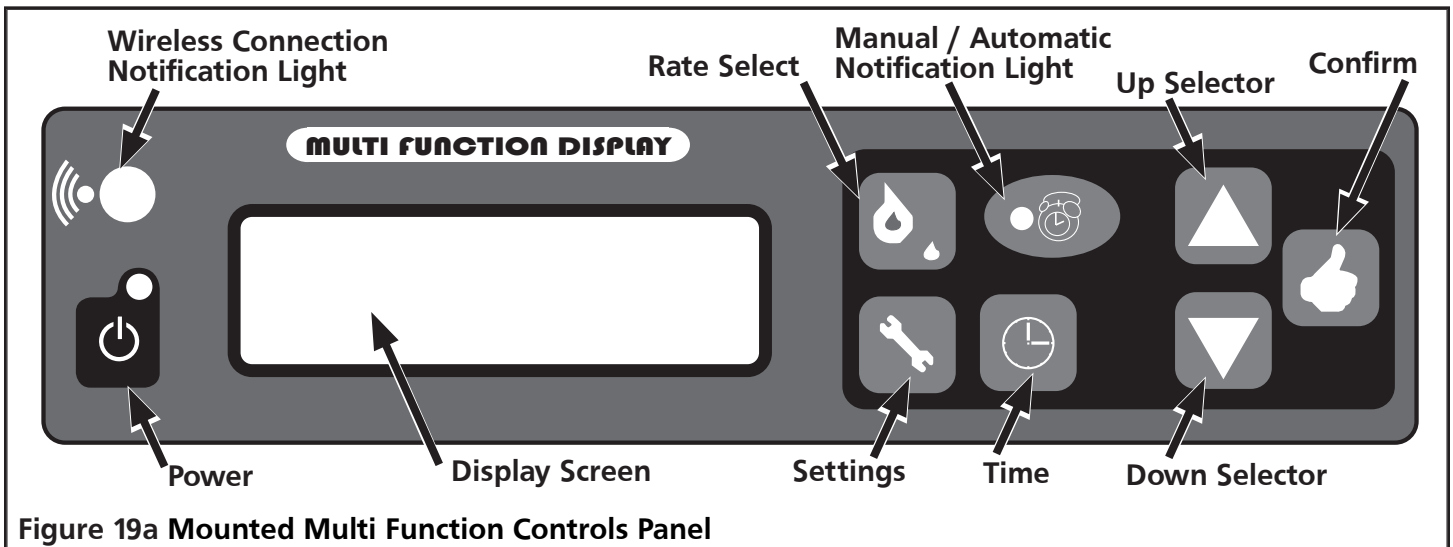


Figure 19a Mounted Multi Function Controls Panel

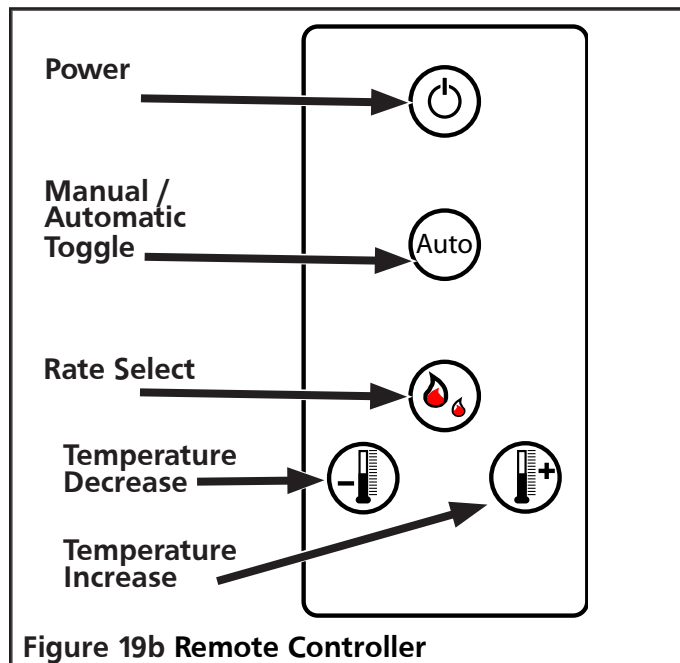


Figure 19b Remote Controller

Mounted Button Functionality: Normal Operation

- The light illuminates when the stove is plugged into an electrical supply.
- Press the power button to turn the display on for the purpose of adjusting settings. The screen will become dim after 10 seconds on inactivity.
- Press and hold the power button for 3 seconds to begin stove heating if the stove was off.
- Press and hold the power button for 3 seconds to begin stove shut off if the stove was on.

CAUTION: The manufacturer has programmed preset rates to ensure proper operation. It is not advised to reprogram rate settings.

	Press to cycle between temperature reports (in Fahrenheit) display in the top right of the multi function display screen: <ul style="list-style-type: none"> • ##(R): Room temperature • ##(S): Exhaust temperature • ##(P): Protection Temperature Sensor
	Press to increase the temperature which the stove is intended to heat the room to. This value is displayed in the top right of the multi function display screen as ##°F.
	Press to decrease the temperature which the stove is intended to heat the room to. This value is displayed in the top right of the multi function display screen as ##°F.
	Press to toggle the stove between manual control and programmed control. If the stove is in the program controlled setting then the notification light will be illuminated.
	Pressing the rate select will toggle between four configurable heating presets. The currently set preset is available in the top middle of the multi function display screen as P#. <ul style="list-style-type: none"> • P1 [Maximum Power] Settings • P2 [Medium Power] Settings • P3 [Low Power] Settings • P4 [Minimum Power] Settings
	<ul style="list-style-type: none"> • Press and hold the settings button for 2 seconds to enter the set up menu. • Press the settings button at any time to exit the set up menu.

- Device Name: it is possible to rename the stove, so that if you have multiple stoves set up for operation you can more easily differentiate between while using the smart stove application.
- Device Sharing: it is possible to share connection to the stove with other devices via SMS or email.
- Eco Mode: There are two ECO settings which can be selected which will conserve wood pellets while maintaining the desired temperature. Pressing the ECO button will allow you to toggle whether a specific eco setting is enabled, or to turn off the feature entirely.
 - ECO 1: The stove shuts off when the desired temperature has been reached. The stove will turn back once the room cools to a factory set temperature.
 - ECO 2: The stove turns to minimum power preset P4 when the desired temperature has been reached. The stove will turn on to higher power settings once the room cools to a factory set temperature.
- Preset configurations: There are four selectable configurations which adjust the speeds of the combustion fan and the room air circulation fan. Pressing the preset configuration button will allow you to toggle whether a specific preset configuration is enabled, or to turn off the feature entirely.
 - P1 [Maximum Power] Settings
 - P2 [Medium Power] Settings
 - P3 [Low Power] Settings
 - P4 [Minimum Power] Settings

MANUAL STOVE OPERATION

TO ADJUST THE AUGER (PELLET DROP RATE)

1. Cycle using the Rate Select button between settings P1, P2, P3, P4. Rates are outlined below:

P1: [Maximum] pellet drop rate

P2: [Medium] pellet drop rate

P3: [Low] pellet drop rate

P4: [Minimum] pellet drop rate

Note: If necessary, press and hold the "Time" button for 2-5 seconds to get the auger to spin.

TO ADJUST THE FANS

1. Press and hold the Settings button for 2 seconds.
2. Press the Confirm button to cycle to each of the Pellet Drop Rate Settings.

3. Adjust the "S" for Venting Fan and "F" for blower fan settings using the Up and Down Selectors buttons.
4. Use the Time button to switch between "S" and "F" Note: the lower the setting, the slower the fan. Only change settings by a few numbers at a time.
5. Press the Settings button to go back to home screen.

TO CHANGE THE TIME (RUNS ON 24-HOUR CLOCK)

1. Press and hold the Settings button for 2 seconds.
2. Press the Confirm button to cycle to Modify Clock.
3. Use the Time button to switch between hours and minutes.
4. Use the Up and Down Selector buttons to change the current selection.
5. Press the Settings button to go back to home.

TO PROGRAM AUTOMATIC ON/OFF

1. Press and hold the Settings button for 2 seconds.
2. Cycle through the settings using the Confirm button until days of the week are visible.
3. Use the Time button to change between days.
4. Use the Up and Down Selector buttons to adjust if you want the stove ON/OFF each day.

Note: Tall box is for ON; Short box is for OFF.

Note: Each box represents an hour of the day over a 24 hour period. The first box is 00:00 (Midnight) and the last box is 23:00 (11 PM).

5. Press the Settings button to go back to home.

CHANGING ECO MODES

1. Press and hold the Settings button until stove beeps.
2. Press (do not hold) the Confirm button seven times to cycle to the screen that reads "Eco Mode."
3. Press the Time button to switch between the selected Eco Modes.
4. Press the Settings button to go back to home screen.







ECO 1 MODE

ECO 1: The stove shuts off when the desired temperature has been reached. The stove will turn back on once the room cools to a factory set temperature.

ECO 2 MODE

ECO 2: The stove turns to minimum power preset P4 when the desired temperature has been reached. The stove will turn on to higher power settings once the room cools to a factory set temperature.

CONTROL KEY

	CONFIRM
	UP SELECTOR
	DOWN SELECTOR
	TIME
	RATE SELECT
	SETTINGS

MAINTENANCE

This wood heater needs periodic inspection and repair for proper operation. It is against federal regulations to operate this wood heater in a manner inconsistent with operating instructions in this manual.

⚠ CAUTION: TURN OFF AND UNPLUG THE STOVE FROM ANY SOURCE OF ELECTRICAL POWER TO UNIT BEFORE PERFORMING ANY MAINTENANCE OR SERVICE OPERATIONS.

⚠ CAUTION: ALLOW STOVE TO COOL DOWN BEFORE PERFORMING ANY MAINTENANCE OR SERVICE OPERATIONS.

⚠ CAUTION: DURING ANY ASSEMBLY OR DISASSEMBLY, BE WARY TO NOT DROP ANY ITEMS (SCREWS, ETC.) INTO THE PELLET HOPPER. DEBRIS CAN JAM THE AUGER AND DAMAGE THE STOVE.

The frequency which your stove's requires cleaning and maintenance depends on the fuel that you use. High moisture, ash, dust, and chips can more than double the necessary maintenance. Use only the tested and recommended wooden pellets fuel.

Clean the fire pot and fire pan every day, before using the stove and while the stove is cooled down, the stove is unplugged, and there are no embers. Use a vacuum cleaner to remove ash and debris from the fire pot, and then lift the fire pot to also clean the fire pan. It is important that ash or debris does not block any air openings.

A general cleaning schedule is as follows:

- Fire Pot: After 10 bags of wood pellets, or every day. Whichever is more frequent.
- Ash Drawer: After 50 bags of wood pellets
- Passageways: After 100 bags of wood pellets
- Blower: After 100 bags of wood pellets

IMPORTANT: Also make sure to refer to the separate Cleaning Schedule at the end of this section.

CLEANING: FIRE POT & PAN

⚠ CAUTION: IF STOVE IS INTENDED TO OPERATE CONTINUOUSLY, IT MUST BE TURNED OFF TWICE WITHIN EACH 24 HOUR PERIOD IN ORDER TO CLEAN THE FIRE POT AND FIRE PAN. ALWAYS ALLOW THE STOVE TO COOL DOWN AND ANY EMBERS TO EXTINGUISH BEFORE CLEANING THE FIRE POT AND FIRE PAN.

Make sure that you put the fire pot back onto the fire pan in the correct orientation, so that pellets can be added to the pot and successfully ignited for the next operation of the stove.

CLEANING: GLASS

⚠ WARNING: DO NOT CLEAN GLASS WHEN HOT.

Though the circulation of air across the glass reduces acidic ash build up, cleaning the glass in the stove door is still required periodically. Cleaning is necessary to prevent glass from being weakened which may increase likelihood of cracks. It is not acceptable to operate the stove with cracked or broken glass.

The best way to clean the door glass is using a damp cloth that has a smear of cool ash on it. For extra stubborn dirt, consult your local hardware store or stove specialist for a suitable cleaner.

⚠ WARNING: DO NOT CLEAN GLASS WITH ABRASIVE CLEANERS OR BY ANY OTHER PROCESS WHICH MAY SCRATCH OR DAMAGE THE GLASS.

CLEANING: OUTLET PASSAGEWAY

The outlet passageway should be cleaned at least once a year. Burning high ash pellets may require that the passageway is cleaned more frequently.

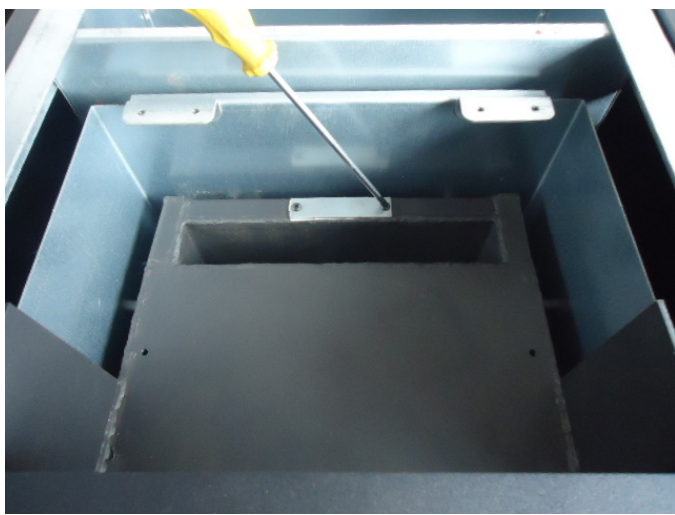


Figure 20 Outlet Duct

On each side of the stove there are two access covers that can be removed by removing the fastening screws. See Figures 21, 24 and 25. Turn off the stove, allow the stove to cool down, and unplug the stove before disassembly and cleaning. Insert a cleaning brush into the openings to loosen any ash build up and then use a vacuum cleaner to remove the loosened ash. Replace the covers and secure with the allen head screws.

There is one more opening to the outlet passageway which can be accessed by removing the ash drawer. Loosen the two 5/32" allen head screws shown in Figure 20. Rotate the cover to expose the opening. Use a cleaning brush to loosen any ash build up. Insert a cleaning brush into the openings to loosen any ash build up and then use a vacuum cleaner to remove the loosened ash. Rotate the cover back over the opening and secure with the allen screws.

CLEANING: CONVECTION BLOWER

When facing the heater, the blower motor responsible for introducing air for heating and circulation to the room is located on the right hand side. Remove or open the side panel to obtain access. Clean the convection blower as required, before using the stove and while the stove is cooled down, the stove is unplugged, and there are no embers. Take care to not damage the blower's blades during cleaning. Use a vacuum to remove any dust accumulation of the blower's blades or inside the blower duct.



H140XL



H80XL, H3W80XL

Figure 21 Convection Blower Disassembly

CLEANING: EXHAUST VENT PIPE

Inspect the exhaust venting system at least once a year to determine if cleaning is necessary. During start up, shut down, and erroneous operation of the stove incomplete combustion can produce ash, soot, and creosote. To clean the exhaust venting system insert an appropriate sized cleaning brush into the pipe to loosen and remove any ash or debris build up. Build up of debris and ash can restrict the flow of gases which will affect stove performance, and failure to remove creosote may result in a dangerous chimney fire.

FLYASH - FORMATION AND NEED FOR REMOVAL

The products of combustion will contain small particles of flyash. The flyash will collect in the exhaust venting system and restrict the flow of the flue gases. Incomplete combustion, such as occurs during startup, shutdown, or incorrect operation of the room heater will lead to some soot formation which will collect in the exhaust venting system. The exhaust venting system should be inspected at least once every year to determine if cleaning is necessary. Use the appropriate sized chimney brush to remove ash and buildup from the venting.

CREOSOTE - FORMATION AND NEED FOR REMOVAL

Failure to remove creosote may result in a dangerous chimney fire.

When wood pellets burn at a low temperature they produce tar and other organic vapors, which combine with expelled moisture to form creosote. The creosote vapors condense in the relatively cool chimney flue of low-temperature fire. As a result, creosote residue accumulates on the flue lining. When ignited this creosote makes an extremely hot fire. The chimney

REMOVING BACK AND SIDE PANEL



Figure 24 H140XL Back & side disassembly

- To remove the H140XL side panels, remove the screws securing it on the rear of the heater. Then slide the panel along the side of the heater away from the front.
- To remove the H140XL rear plate, remove the 8 screws securing it at the bottom and rear of the stove.
- To remove the H80XL side panels, remove the screws securing it on the rear of the heater. Then pull the panel directly away from the heater.
- To open the side of the H3W80XL model, simply swing the side panel free of the magnetic lock.

REPLACING: HEAT EXCHANGE BLOWER

Unplug the heater. Disconnect any wiring leading to the Heat Exchange Blower. Remove the screws holding the mounting plate to the heater. Slowly remove blower and replace with new one. Replace screws and wiring.



Figure 25 H3W80XL Heat Exchange Blower

REPLACING: EXHAUST BLOWER

Unplug the heater. Disconnect any wiring leading to the Exhaust Blower. Remove the wing nuts holding the Exhaust Blower plate to the blower housing. Slowly remove blower and replace with new one. Replace wing nuts and wiring.

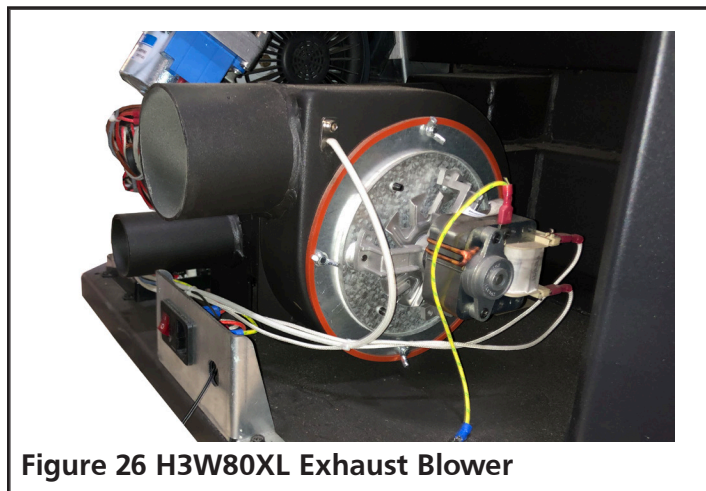


Figure 26 H3W80XL Exhaust Blower

SAFETY COMPONENTS

1. Vacuum Pressure Switch: A safety vacuum switch is located behind the left door, fastened to the base. If a low pressure is created in the firebox by a leak, opening the door to the firebox, a blocked flue, or an unsealed ash drawer then the switch will shut the stove off as a precaution. Error code E5 will appear on the display panel.
2. High Limit Thermostat: A high temperature limiter is installed on the bottom of the hopper. If this sensor is exposed to temperatures higher than 185° F then the stove is shut off.
3. Vent Pipe High Temperature Thermostat: A high temperature limiter is installed on the vent pipe. If this sensor is exposed to temperatures higher than 104° F then the circulation fan blower is switched on.
4. Vent Pipe Low Temperature Thermostat: If the stove cools below a minimum temperature the stove will switch off. This may occur when the operating procedure fails to quickly and sufficiently heat the stove.
5. Fuse: A fuse on the rear of the device protects the stove from power surges. See Figure 27.



Figure 27 Fuse

PELLET STOVE CLEANING SCHEDULE

DAILY CLEANING

Step 1:

Shut down the stove and let it cool completely.

Step 2:

Grab your ash vacuum to remove ash and debris from the firepot and surrounding area, as well as any piles of ash or debris that you see.

Step 3:

Lift up and remove firepot – be certain this area is clear of debris. Vacuum under the firepot, taking special care to vacuum the airway under the firepot.

Step 4:

Grab your cleaning tool and move to the firepot. Scrape any debris out of the firepot, making sure that all of the holes in the firepot are free from any buildup.

Step 5:

Wipe down the glass. Never clean the glass with cool water or cleaner when the glass is still warm, since this can cause the glass to crack. The method we recommend requires a damp paper towel or cloth. Dab it on to cooled ashes and then wipe down the glass starting from the top.

Step 6:

Certain models have ash drawers. It is a good idea to empty it every time you clean your stove. You can use an ash vacuum to clean the ashes out of the drawer.

Step 7:

The mini models have cleaning rods. Your cleaning rods should be used daily after the stove has cooled down. These are cleaning inside of the exhaust where ash and debris can build up. When too much build up occurs your stove will not have the proper amount of airflow.

WEEKLY CLEANING

Step 1:

Recommend letting the stove run out of pellets so the hopper is empty. Vacuum out the hopper. Clean any dust out of the hopper and inspect your auger.

Step 2

The medium and large models have flue plates. Remove the center flue plate by sliding it up. After the center flue plate is slid up and out you can remove the left and right plates. Vacuum and brush off the flue plates, scrape away any clinkers and build-up. Check the walls behind the flue plates for any debris. Be sure to vacuum behind the flue plates as well.

Step 3:

If equipped, remove the ash drawer and vacuum out the drawer. Then brush and scrape away any slag and build up. Make sure the area under the drawer is also clean.

Step 4:

Inspect auger chute. If you notice any build-up of creosote or pellet dust, clean the chute with a wire brush.

EVERY OTHER WEEK

Go outside, and visually inspect the termination cap on the exhaust. Make sure animals are not trying to make it their home and check for any buildup of ash on the grate.

AT LEAST ONCE A MONTH

Step 1:

Use a cleaning brush to clear out the air inlet, located beneath the fire pot going towards the back of the stove; exact placement and size will vary from model to model.

Step 2:

For the Medium and Large models with the flue plates, the exhaust port is behind a flue plate, left of the firepot. Be sure to clean that with a wire brush and vacuum.

Step 3:

Use a cleaning brush to clear out the air exhaust ports in your burn chamber. The number of exhaust ports varies from model to model.

For the Mini models: There are four exhaust ports are at the top of the burn chamber.

For the Bayfront models: There are two exhaust ports on the top of the burn chamber.

Verifying they are clear will ensure optimal airflow in the chamber.

EVERY TWO (2) TONS OF PELLETS, OR EVERY OTHER MONTH

Inspect the clean out tee. Remove any ash that has built up and reseal the connection if necessary.

ANNUALLY

- It is important to remove the combustion fan, use a wire brush on creosote, and vacuum debris. This is important for under the fan and on the fan itself. When you remove the combustion fan, if the gasket is torn you can remove the gasket and use red RTV high temperature silicone to make a new gasket for the fan.
- You may need to remove the pipe from the back of your stove and use a wire brush and vacuum to clean that as well.
- It may be necessary to hire a chimney sweep to clean out your venting system regularly. You must take special care with elbows as they can build up creosote more than straight pipes.
- It is also a good idea to clean your inlet duct yearly as well.


For the Mini models: It is located behind the right-hand side panel. There is an air inlet cover that must be removed, and the airway should be cleaned. If the gasket gets torn or damaged a new one can be made with red RTV.

For the Bayfront models: The airways have an opening behind the ash drawer. The ash drawer will need to be removed completely, and the covers can be removed with a 3MM Allen key. A wire brush and a vacuum can be used to clean the airways.

ERROR CODES

NOTE: IN THE EVENT OF A POWER FAILURE (ERROR CODE E7), A SMALL AMOUNT OF SMOKE MAY BE EMITTED. THIS LASTS 3 TO 5 MINUTES AND DOES NOT REPRESENT A SAFETY RISK.

⚠ CAUTION: IF OVERHEATING HAS OCCURRED (ERROR CODES E5 AND E6), THEN AN INSPECTION, MAINTENANCE, AND/OR CLEANING MUST OCCUR BEFORE THE STOVE CAN SAFELY BE OPERATED AGAIN.

After following the suggested solution steps, press the confirm button  to clear the error code from the error code from the multi function display screen. Then go through the operation procedure specified on page 15 to restart the heater.

ERROR CODE	CAUSE	SOLUTION
E1	Exhaust temperature is below 40 - 45 °C Operation has been interrupted and the fire has been discontinued.	<ol style="list-style-type: none"> 1. Check that the pellet hopper has fuel. 2. Check that the auger motor is not damaged and is able to fill the firepot with fuel.
E2	Failure to ignite the fuel in fire pot.	<ol style="list-style-type: none"> 1. Check that there are no "clinkers" (glass like lumps of various sizes formed by debris exposed to high heat, more common when using low quality fuel) in fire pot. 2. Check that the firepot is sitting in the holder correctly and that the igniter is not obstructed. 3. Check that the exhaust gas temperature sensor switch, beside the combustion fan, is not broken. 4. Check that the igniter is not broken.
E5	Low pressure detected at the vacuum switch (refer to exploded view).	<ol style="list-style-type: none"> 1. Check that the door, and ash drawer if present, has been closed properly. 2. Check that there is nothing obstructing the exhaust duct nor that the duct is leaking. 3. Check that the combustion fan is not broken.
E6	Failure at the high temperature sensor (located below the pellet hopper).	<ol style="list-style-type: none"> 1. Check that the switch is not broken. 2. The temperature of the sensor is too high. The stove is not running properly. Call customer service.
E7	Power failure.	Press the Confirm button to clear the error code. Then restart the stove. You may chose to skip directly into the stabilization cycle by depressing and holding the rate selector button for 3 seconds.
ESC1	Short circuit at temperature sensor #1 (Exhaust)	<ol style="list-style-type: none"> 1. Check wires and connection points. 2. Contact Tech Support for assistance.
ESO1	Open circuit at temperature sensor #1	<ol style="list-style-type: none"> 1. Check wires and connection points. 2. Contact Tech Support for assistance.
ESC2	Short circuit at sensor #2, hopper temperature	<ol style="list-style-type: none"> 1. Check wires and connection points. 2. Contact Tech Support for assistance.

ERROR CODES CONTINUED

ESO2	Open circuit at temperature sensor #2	1. Check wires and connection points. 2. Contact Tech Support for assistance.
ESC3	Short circuit at room temperature sensor (#3)	1. Check wires and connection points. 2. Contact Tech Support for assistance.
ESO3	Open circuit at temperature sensor #3	1. Check wires and connection points. 2. Contact Tech Support for assistance.

TROUBLESHOOTING

SYMPTOM	CAUSE	SOLUTION
Heater does not turn on.	Power Switch turned off.	Turn on power switch.
	Power Cord disconnected.	1. Press power cord tightly into the heater 2. Ensure that the wall socket is delivering 120 Volts.
	Fuse is blown.	Replace the fuse.
The blower does not turn on during Cleaning Cycle, Feeding Cycle, or Lighting Cycle.	This is normal.	There is no problem, the blower does not turn on until the stabilization cycle.
The blower does not turn on during Stabilization Cycle.	No power in stove or in control panel.	Check the power and wires.
	Mother board disconnected.	Make sure all terminals to mother board are connected.
	Low Temperature sensor is broken.	Replace the low temperature sensor.
During operation, including the Lighting phase, the auger is not filling the firepot with pellets.	No fuel in Pellet Hopper.	Add Fuel to Pellet Hopper.
	Auger is blocked, jammed, or disconnected.	1. Unplug the unit so that it will not start suddenly and then unblock the auger. 2. Check that the auger is not blocked. If it is blocked, remove the cause of the jamming. 3. Check that the auger screw fastening the auger to the motor is secure.
Too much fuel in the firepot. The fuel can not be completely and thoroughly burned.	The feeding speed is faster than what combustion can support.	1. Increase the fan's speed to increase the rate of combustion.

TROUBLESHOOTING CONTINUED

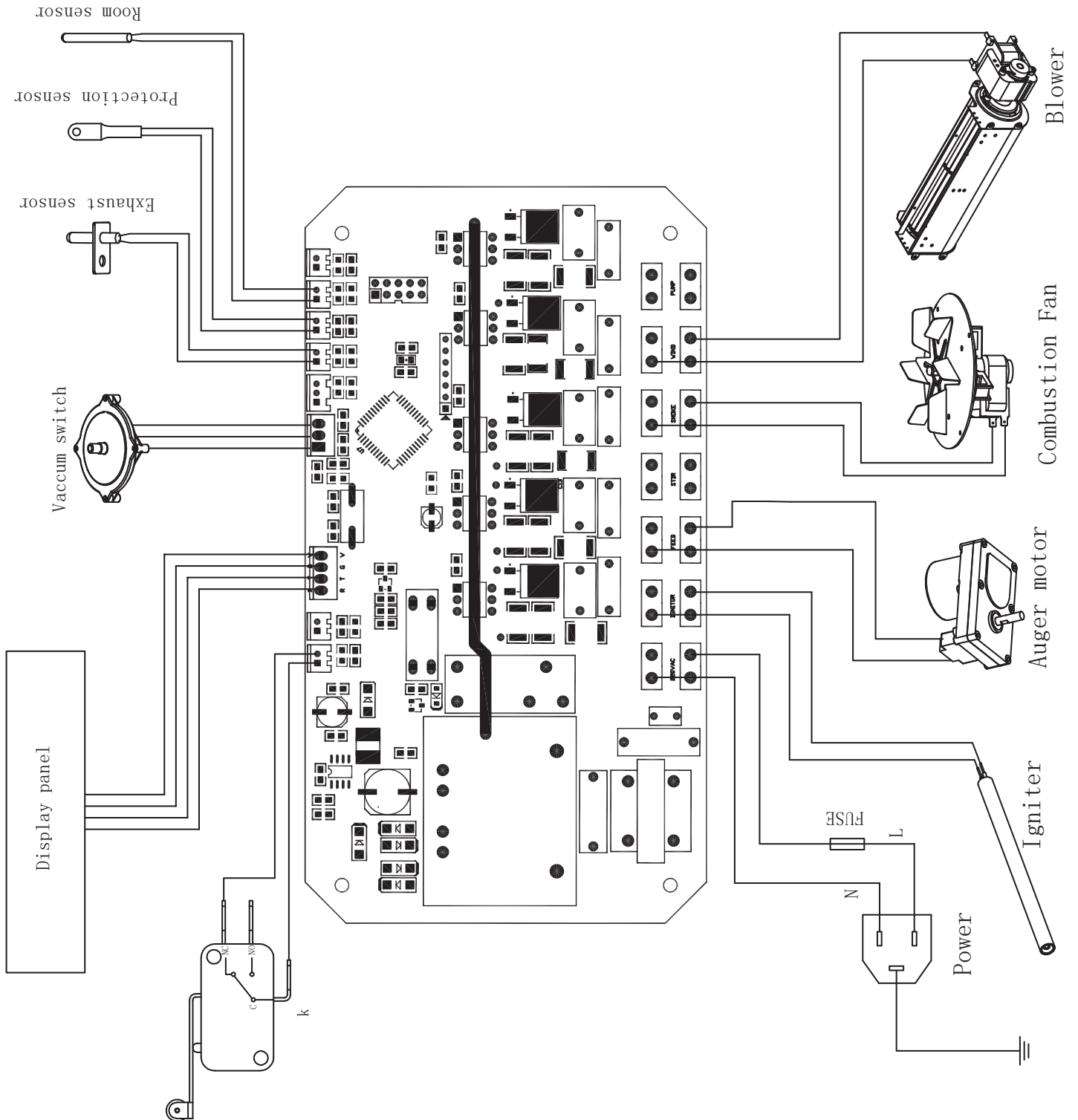
SYMPTOM	CAUSE	SOLUTION
Not enough fuel in the firepot.	The feeding speed is too low to support the rate of combustion.	1. Decrease the fan's speed to decrease the rate of combustion.
After the fire has started, the stove turns off 15 minutes later.	The pellet hopper is low on fuel.	Check that the pellet hopper has a sufficient amount of fuel.
	The auger is not operating.	1. Unplug the unit so that it will not start suddenly and then unblock the auger. 2. Check that the auger is not blocked. If it is blocked, remove the cause of the jamming. 3. Check that the auger screw fastening the auger to the motor is secure.
	The 30 ° C temperature switch has triggered.	1. Check that wires to the switch are sufficiently connected. 2. Replace the 30 ° C temperature switch.
	The pressure switch inside the stove is broken.	Replace the pressure switch.
Orange flame, pellets piling up in firepot, carbon residue forming on glass.	Insufficient air for sufficient combustion.	1. Check that the air inlet vent in the front is open. 2. Check that the door and window gaskets are intact. 3. Check if the air inlet ducting and the combustion exhaust ducting are blocked. 4. Increase the cross sectional area of the ducting. 5. Increase the fan's speed to increase the rate of combustion. 6. Contact the manufacturer for assistance.
The fire extinguishes and the power shuts off.	No fuel in Pellet Hopper.	Add Fuel to Pellet Hopper.
	Auger is blocked or jammed or disconnected.	1. Unplug the unit so that it will not start suddenly and then unblock the auger. 2. Check that the auger is not blocked. If it is blocked, remove the cause of the jamming. 3. Check that the auger screw fastening the auger to the motor is secure.
	The feeding speed is too low to support the rate of combustion.	1. Decrease the fan's speed to decrease the rate of combustion.
	The 30 ° C temperature switch has triggered.	1. Check that wires to the switch are sufficiently connected. 2. Replace the 30 ° C temperature switch.

TROUBLESHOOTING CONTINUED

SYMPTOM	CAUSE	SOLUTION
The fire extinguishes and the power shuts off (continued).	Requested temperature has been reached.	This is normal "ECO" mode behavior. The stove will automatically switch on once the ambient room temperature drops below the temperature that the stove is set to maintain.
The circulation blower continues to operate after the stove is cool and the fuel consumption has ceased.	The 30 ° C temperature switch has triggered.	<ol style="list-style-type: none"> 1. Check that wires to the switch are sufficiently connected. 2. Replace the 30 ° C temperature switch.
The stove is not circulating a sufficient volume of sufficiently hot air.	The fuel is inadequate.	Use pellet fuel specified by this manual.
	The circulating blower is set too slow or is compromised.	<ol style="list-style-type: none"> 1. If the blower is broken, change out the blower 2. If the mother board which connects to the blower is broken, change out the mother board.
	Heat exchange tubes or flue pass is dirty.	Clean the heat exchanger tubes or flue pass.

WIRING DIAGRAM

NOTE: IF ANY OF THE ORIGINAL WIRE AS SUPPLIED WITH THE APPLIANCE MUST BE REPLACED, IT MUST BE REPLACED WITH WIRING MATERIAL HAVING A TEMPERATURE RATING OF AT LEAST 105 C AND RATED FOR 600V

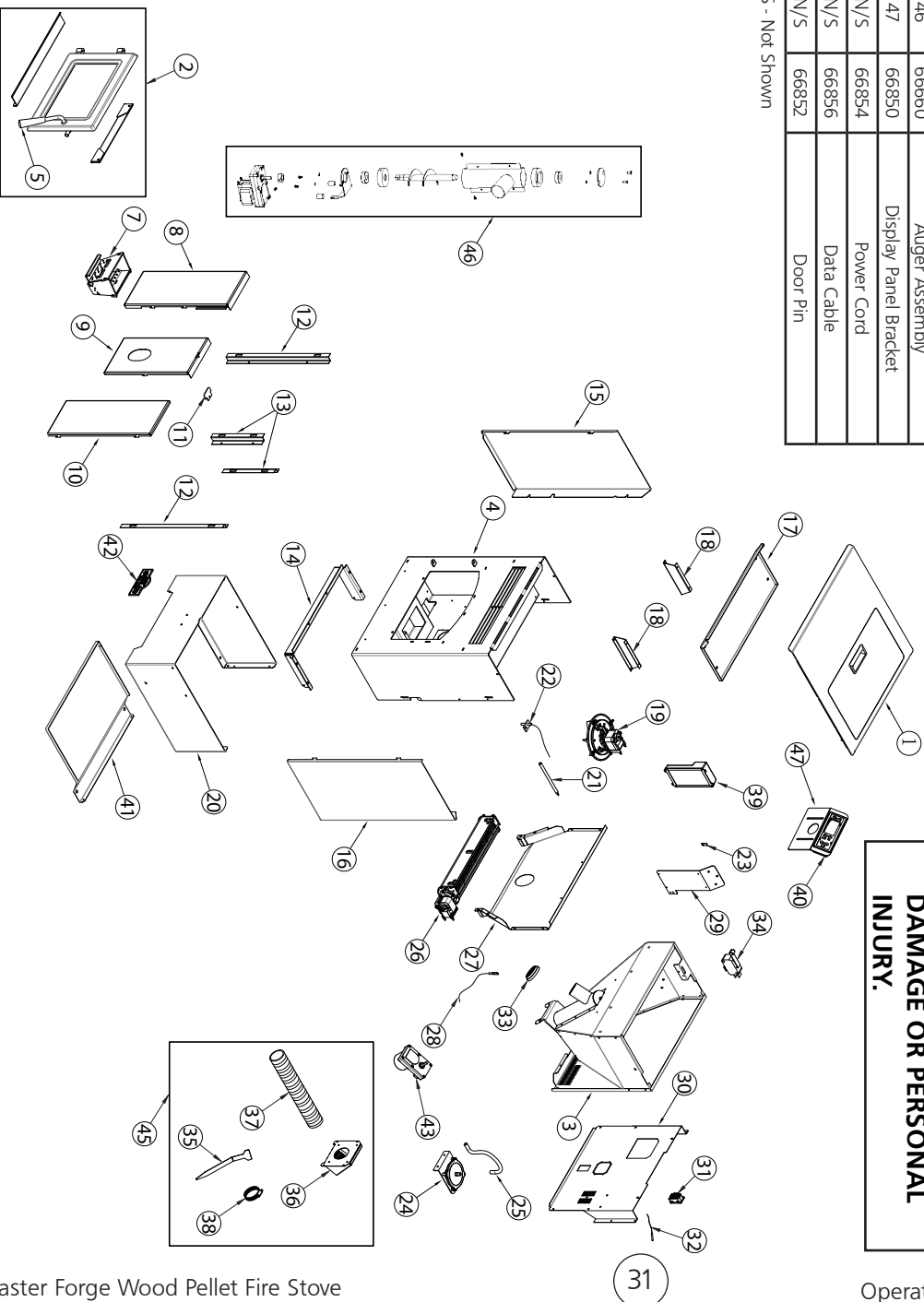


SERVICE PARTS MODEL H80XL

NO.	P/N	DESCRIPTION
1	66623	Top Cover
2	66624	Door Assembly
3	n/a	Hopper
4	n/a	Main Body
5	66603	Door Handle
7	66625	Fire Pot
8	66931	Flue Board-Left
9	66933	Flue Board-Middle
10	66932	Flue Board-Right
11	n/a	Upper Flue Plate
12	n/a	Flue Fixed Plate-Long
13	n/a	Flue Fixed Plate-Short
14	n/a	Pedestal Fixed Plate
15	66736	Left Side panel
16	66737	Right Side panel
17	n/a	Thermal Insulation Plate
18	n/a	Insulation Support Plate
19	66607	Combustion Blower
20	n/a	Pedestal Plate
21	66608	Igniter
22	66609	Exhaust Sensor
23	n/a	Grounding Screw
24	66628	Vacuum Switch
25	66629	Vacuum Switch Silicone Tube
26	66630	Circulation Blower
27	n/a	Chamber Insulation Cover
28	66613	Hopper Safety Sensor
29	n/a	Motherboard Fixed Plate
30	66631	Rear Cover
31	66615	Power Socket
32	66616	Room Sensor
33	66622	Silicone Rubber Sealing Ring
34	66617	Hopper Lid Switch
35	66855	Cleaning Tool (see # 45)
36	n/a	Fresh Air Intake Vent (see # 45)

NO.	P/N	DESCRIPTION
37	n/a	Aluminum Expansion Tube (see # 45)
38	n/a	Clamp (see # 45)
39	66618	Motherboard
40	66619	Display Panel
41	n/a	Inner Pedestal Plate
42	n/a	Nameplate
43	66621	Auger Motor
44	66658	Remote (not shown)
45	66659	Accessory Kit
46	66660	Auger Assembly
47	66850	Display Panel Bracket
N/S	66854	Power Cord
N/S	66856	Data Cable
N/S	66852	Door Pin

N/S - Not Shown

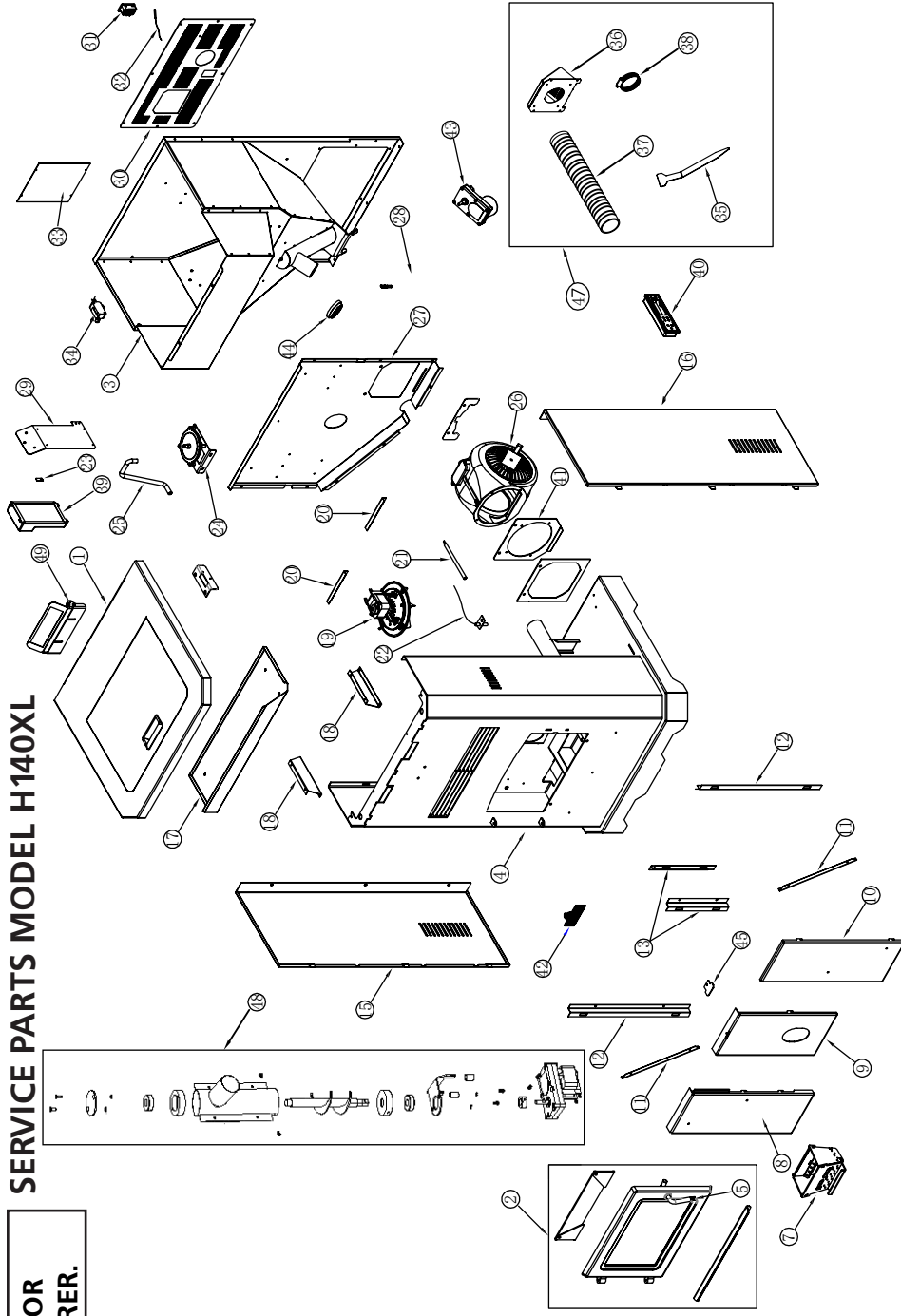


NOTE: NOT ALL PARTS AVAILABLE. FOR QUESTIONS CONTACT MANUFACTURER.

⚠ WARNING: FAILURE TO POSITION THE PARTS IN ACCORDANCE WITH THESE DIAGRAMS OR FAILURE TO USE ONLY PARTS SPECIFICALLY APPROVED WITH THIS STOVE MAY RESULT IN PROPERTY DAMAGE OR PERSONAL INJURY.

NOTE: NOT ALL PARTS AVAILABLE. FOR QUESTIONS CONTACT MANUFACTURER.

WARNING: FAILURE TO POSITION THE PARTS IN ACCORDANCE WITH THESE DIAGRAMS OR FAILURE TO USE ONLY PARTS SPECIFICALLY APPROVED WITH THIS STOVE MAY RESULT IN PROPERTY DAMAGE OR PERSONAL INJURY.



SERVICE PARTS MODEL H140XL

NO.	P/N	DESCRIPTION
1	66601	Top Cover
2	66602	Door Assembly
3	n/a	Hopper
4	n/a	Main Body
5	66603	Door Handle
7	66604	Fire Pot
8	66934	Flue Plate-Left
9	66862	Flue Plate-Middle
10	66935	Flue Plate-Right
11	n/a	Flue Plate Reinforcement
12	n/a	Flue Fixed Plate-Long
13	n/a	Flue Fixed Plate-Short
15	66738	Left Side Panel
16	66739	Right Side Panel
17	n/a	Thermal Insulation Board
18	n/a	Insulation Support Plate
19	66607	Combustion Blower
20	n/a	Reinforcing Plate
21	66608	Igniter
22	66609	Exhaust Sensor
23	n/a	Ground Screw
24	66610	Vacuum Switch
25	66611	Silicone Tube
26	66612	Circulation Blower
27	n/a	Chamber Insulation Cover

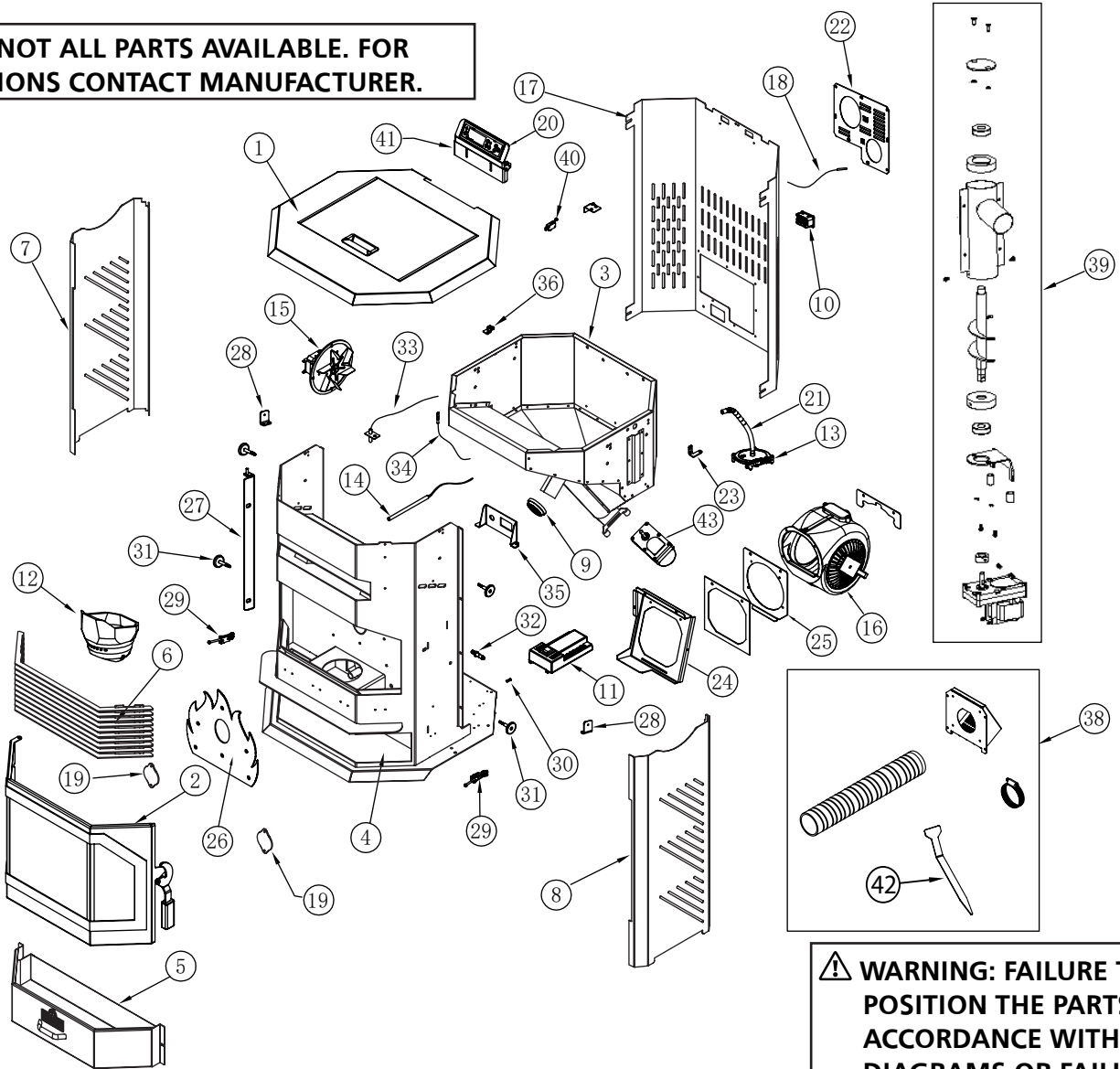
NO.	P/N	DESCRIPTION
28	66613	Hopper Safety Sensor
29	n/a	Motherboard Fixed Plate
30	66614	Rear Cover
31	66615	Power Socket
32	66616	Room Sensor
33	n/a	Rating Label
34	66617	Hopper Lid Switch
35	66855	Cleaning Tool (see # 47)
36	n/a	Fresh Air Intake Vent (see # 47)
37	n/a	Aluminum Expansion Tube (see # 47)
38	n/a	Clamp (see # 47)
39	66618	Motherboard
40	66619	Display Panel

NO.	P/N	DESCRIPTION
41	66620	Blower Fixed Plate
42	n/a	Nameplate
43	66621	Auger Motor
44	66622	Silicone Rubber Sealing Ring
45	n/a	Upper Flue Plate
46	66658	Remote (not shown)
47	66659	Accessory Kit
48	66660	Auger Assembly
49	66850	Display Panel Bracket
N/S	66854	Power Cord
N/S	66856	Data Cable
N/S	66852	Door Pin

N/S - Not Shown

SERVICE PARTS MODEL H3W80XL

NOTE: NOT ALL PARTS AVAILABLE. FOR QUESTIONS CONTACT MANUFACTURER.



⚠ WARNING: FAILURE TO POSITION THE PARTS IN ACCORDANCE WITH THESE DIAGRAMS OR FAILURE TO USE ONLY PARTS SPECIFICALLY APPROVED WITH THIS STOVE MAY RESULT IN PROPERTY DAMAGE OR PERSONAL INJURY.

NO.	P/N	DESCRIPTION
1	66632	Top Cover
2	66633	Door
3	n/a	Hopper
4	n/a	Main Body
5	66634	Ash Pan
6	n/a	Decorative Plate
7	66740	Left Side Panel
8	66741	Right Side Panel
9	66622	Silicone Rubber Sealing Ring
10	66615	Power Socket
11	66637	Motherboard
12	66638	Fire Pot
13	66639	Vacuum Switch
14	66640	Igniter
15	66641	Combustion Blower
16	66612	Circulation Blower
17	66742	Rear Cover

NO.	P/N	DESCRIPTION
18	66643	Room Sensor
19	n/a	Flue Sealing Plate
20	66644	Display Panel
21	66645	Pressure Device Silicone Tube
22	66646	Rear Sealing Plate
23	66647	Right Side Panel Hinge
24	66648	Blower Bracket
25	66620	Blower Fixed Plate
26	n/a	Fireproof Plate
27	66649	Door Hinge
28	66650	Rear Cover Fixed Plate
29	66651	Ash Pan Lock Parts
30	n/a	Ground Screw
31	66652	Magnet
32	66653	Door, Latch
33	66654	Exhaust Sensor
34	66655	Hopper Safety Sensor

NO.	P/N	DESCRIPTION
35	66656	Socket Fixed Plate
36	66657	Left Side Panel Hinge
37	66658	Remote (not shown)
38	66659	Accessory Kit
39	66660	Auger Assembly
40	66617	Hopper Lid Switch
41	66850	Display Panel Bracket
42	66855	Cleaning Tool (See # 38)
43	66621	Auger Motor
N/S	66854	Power Cord
N/S	66856	Data Cable
N/S	66859	Door Pin

N/S - Not Shown

OPERATING INSTRUCTIONS AND OWNER'S MANUAL

Model #
C80XL, J80XL, N80XL
C140XL, J140XL, N140XL
C3W80XL, J3W80XL, N3W80XL

READ INSTRUCTIONS CAREFULLY: Please read this entire manual before installation and use of this pellet fuel-burning room heater. Failure to follow these instructions could result in property damage, bodily injury or even death. Do not allow anyone who has not read these instructions to assemble, light, adjust or operate the stove. Place instructions in a safe place for future reference.

WARNING:

USE ONLY MANUFACTURER'S REPLACEMENT PARTS. USE OF ANY OTHER PARTS COULD CAUSE INJURY OR DEATH. REPLACEMENT PARTS ARE ONLY AVAILABLE DIRECT FROM THE FACTORY AND MUST BE INSTALLED BY A QUALIFIED SERVICE AGENCY.

PARTS ORDERING INFORMATION:

PURCHASING: ACCESSORIES MAY BE PURCHASED AT ANY MASTER FORGE LOCAL DEALER OR DIRECT FROM THE FACTORY

FOR INFORMATION REGARDING SERVICE:

Please call Toll-Free 1-833-950-1184

Our office hours are 8:00 AM – 5:00 PM, EST, Monday through Friday.

Please include the model number, date of purchase, and description of problem in all communication.

LIMITED WARRANTY:

Enerco Group, Inc. (EGI) warrants Master Forge Pellet Fire Stoves to be free from imperfections in workmanship or material, at the date of manufacture. After installation, If covered components are found to be defective in workmanship or material during the applicable warranty period then the company, at its option, will repair or replace products returned by the buyer to the factory, transportation prepaid within applicable warranty period and found by the company to have imperfections in material or workmanship. The warranty period of the covered components is defined in the table below:

Components Covered	Warranty Period (Parts only, Labor not included)
Electrical	1 years
Steel parts (excluding fire pot)	5 years

If a part is damaged or missing, call our Technical Support Department at 1-833-950-1184.

Address any Warranty Claims to the Service Department, ENERCO GROUP, INC., 4560 W. 160TH ST., CLEVELAND, OHIO 44135. Include your name, address and telephone number, the model and serial number of your product, and include details concerning the claim. Also, supply us with the purchase date and the name and address of the dealer from whom you purchased our product.

The foregoing is the full extent of the responsibility of the Company. There are no other warranties, express or implied. Specifically there is no warranty of fitness for a particular purpose and there is no warranty of merchantability. In no event shall the Company be liable for delay caused by imperfections, for consequential damages, or for any charges of the expense of any nature incurred without its written consent. The cost of repair or replacement shall be the exclusive remedy for any breach of warranty. There is no warranty against infringement of the like and no implied warranty arising from course of dealing or usage of trade. This warranty will not apply to any product which has been repaired or altered outside of the factory in any respect which in our judgment affects its condition or operation. This warranty does not cover damage or breakage due to misuse, abuse or modifications. There is no warranty on any paint, glass, gasket or fire brick. There is no warranty on the fire pot. There is no warranty against damage caused by corrosion.

Some states do not allow the exclusion or limitation of incidental or consequential damages, so the above limitation or exclusion may not apply to you. This Warranty gives you specific legal rights, and you may have other rights which vary from state to state.

ENERCO GROUP, INC. reserves the right to make changes at any time, without notice or obligation, in colors, specifications, accessories, materials and models.

ENERCO GROUP INC., 4560 W. 160TH ST., CLEVELAND, OHIO 44135
© 2024, Enerco Group. All rights reserved



Report Number : F23-240

ASTM E1509-22

CAN/ULC-S627:2023

US Patent Pending

INSTALLATEUR : Laisser le présent guide avec l'appareil

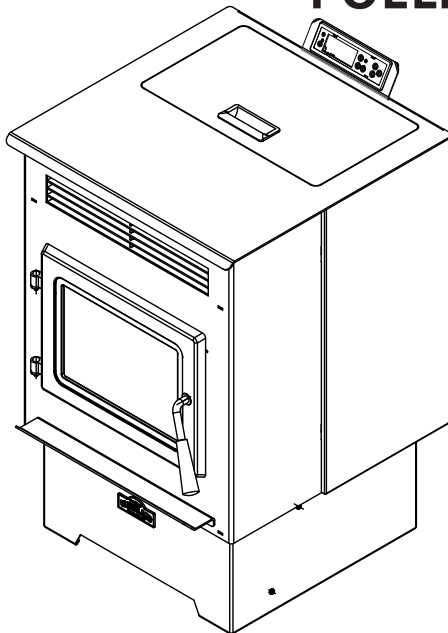
CONSOMMATEUR : Sauvegarder les présentes instructions pour référence future.

GUIDE DU PROPRIÉTAIRE ET INSTRUCTIONS D'UTILISATION

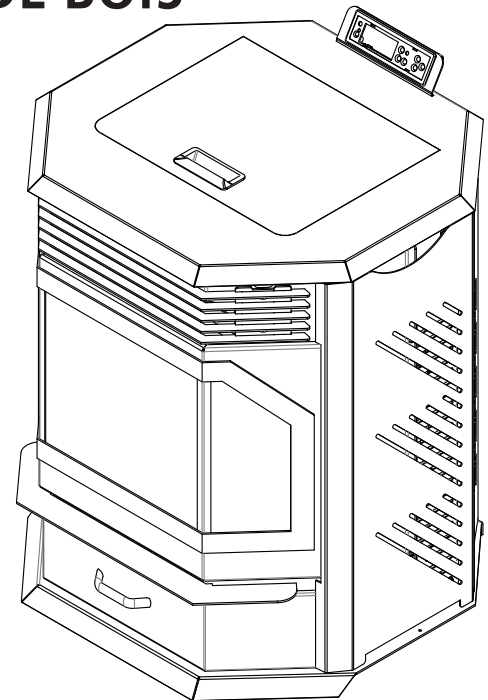
N° de modèle
C80XL, J80XL, N80XL
C140XL, J140XL, N140XL
C3W80XL, J3W80XL, N3W80XL

LIRE LES INSTRUCTIONS ATTENTIVEMENT : Veuillez lire le présent manuel au complet avant d'installer et d'utiliser ce poêle à grenailles de bois. Ne pas suivre les directives comprises pourrait résulter en des dommages matériels ou des blessures graves, voire la mort. Ne pas laisser quiconque qui n'a pas lu les instructions du présent manuel assembler, allumer, régler ou faire fonctionner le poêle. Remiser ce manuel dans un endroit sûr pour référence ultérieure.

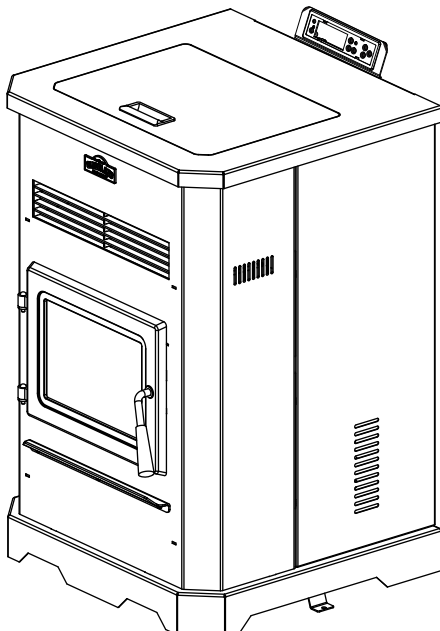
POÊLE À GRENAILLES DE BOIS



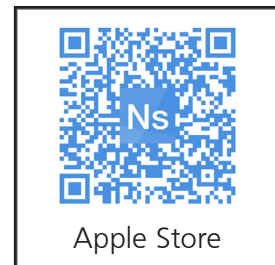
C80XL, J80XL, N80XL



C3W80XL, J3W80XL, N3W80XL



C140XL, J140XL, N140XL



**POUR DÉTERMINER VOTRE BESOIN DE PERMIS, CONSULTEZ LES AUTORITÉS AYANT JURIDICTIONS
DANS VOTRE LOCALITÉ (AUTORITÉS DE PRÉVENTION DES INCENDIES, SERVICE DE LA CONSTRUCTION
MUNICIPAL, ETC.). RESPECTEZ TOUS LES CODES DE LA CONSTRUCTIONS LOCAUX.**

Enerco Group Inc.

4560 West 160th st Cleveland, Ohio 44135 1-833-950-1184

XXXXX

AVERTISSEMENTS GÉNÉRAUX DE DANGERS :

- ⚠ NE PAS SE CONFORMER AUX PRÉCAUTIONS ET INSTRUCTIONS FOURNIES PEUT RÉSULTER EN UN DÉCÈS DE PERSONNE OU DES BLESSURES GRAVES ET DES DOMMAGES MATÉRIELS RÉSULTANT DES DANGERS D'INCENDIE, DE DÉFLAGRATION, DE BRÛLURE, D'ASPHYXIATION D'EMPOISONNEMENT AU MONOXYDE DE CARBONE ET/OU DE CHOC ÉLECTRIQUE.
- ⚠ SEULES LES PERSONNES POUVANT COMPRENDRE ET SUIVRE LES INSTRUCTIONS DEVRAIENT UTILISER OU ENTREtenir CE POÊLE.
- ⚠ POUR TOUTE ASSISTANCE, RENSEIGNEMENT OU POUR UN EXEMPLAIRE DU MANUEL D'INSTRUCTION, OU D'ÉTIQUETTES DE REMPLACEMENT, VEUILLEZ COMMUNIQUER AVEC LE FABRICANT.

AVERTISSEMENT :

- ⚠ DANGER D'INCENDIE, DE BRÛLURE, D'ÉMANATIONS ET DE DÉFLAGRATION. GARDER LES MATIÈRES COMBUSTIBLES SOLIDES TEL LES MATÉRIAUX DE CONSTRUCTION, LE CARTON OU LE PAPIER À UNE DISTANCE SÉCURITAIRE DU POÊLE SELON LES RECOMMANDATIONS DU MANUEL, NE JAMAIS UTILISER LE POÊLE DANS UN LIEU AYANT OU QUI A POSSIBILITÉ D'AVOIR DES MATIÈRES VOLATILES EN SUSPENSION DANS L'AIR OU DES PRODUITS COMME L'ESSENCE, DES SOLVANTS, DES DILUANTS À PEINTURE, DE LA POUSSIÈRE OU DES PRODUITS CHIMIQUES INCONNUS.

- ⚠ **AVERTISSEMENT :** Ce produit peut vous exposer à des produits chimiques incluant le plomb et des composés du plomb, reconnus par l'État de la Californie causer le cancer et des défauts congénitaux ou d'autres sévices du système reproducteur. Pour plus d'information visitez www.P65Warnings.ca.gov

Table des matières

SPECIFICATIONS.....	3
COMMENCER.....	4
PRÉCAUTIONS DE SÉCURITÉ.....	5
DISTANCES DE DÉGAGEMENT DES MATÉRIAUX COMBUSTIBLES.....	6
DÉBALLAGE ET ASSEMBLAGE.....	7
INSTALLATION.....	8
EXIGENCES SUPPLÉMENTAIRES POUR LES MAISONS MOBILES	12
FONCTIONNEMENT.....	14
CONNEXION WI-FI « SMART STOVE ».....	16
COMMANDES WI-FI.....	17
COMMANDES MULTIFONCTIONS.....	18
OPÉRATION MANUELLE DU POÊLE.....	19
ENTRETIEN.....	20
SCHÉMA DE CÂBLAGE.....	30
PIÈCES DE SERVICE.....	31

INFORMATIONS ÉMISES À LA FCC

MISE EN GARDE: Tout changement ou modification qui ne serait pas approuvé expressément par la partie responsable de sa conformité peut causer l'annulation de l'autorité de l'utilisateur de faire fonctionner cet équipement.

REMARQUE: Cet appareil a été testé et a été déterminé comme conforme aux limites d'un appareil numérique de Classe B, conformément à la Section 15 des réglementations FCC. Ces limites sont conçues pour offrir une protection raisonnable contre une interférence nuisible dans une installation résidentielle. Cet appareil génère, et peut irradier de l'énergie en radiofréquence et, s'il n'est pas installé et utilisé en conformité avec ces instructions, il peut causer une interférence nuisible aux communications radio. Toutefois, il n'est pas garanti qu'une telle interférence ne puisse survenir dans une installation particulière. Si l'appareil cause une interférence nuisible à la réception radio ou télévisuelle, ce qui peut être déterminé en mettant en marche l'appareil puis en l'éteignant, l'utilisateur est encouragé à tenter de corriger cette interférence par une ou l'autre des mesures suivantes:

- Réorienter ou relocaliser l'antenne réceptrice.
- Augmenter la distance de séparation entre l'appareil et le récepteur.
- Connecter l'appareil dans une prise de courant qui se trouve sur un circuit différent de celui dans lequel le récepteur est connecté.
- Consulter le détaillant ou un technicien expérimenté en radio/télé pour de l'aide.

Le présent manuel décrit la procédure d'installation et de fonctionnement des poêles à grenailles de bois Master Forge. Votre poêle est conforme aux limites d'émission de l'EPA (Environmental Protection Agency) des États-Unis pour les poêles à grenailles fabriqués après l'année 2020. Sous des conditions d'essai précises, il a été déterminé que ces poêles produisent une sortie de chaleur entre :

H80XL : 10 771 et 30 124 Btu/h

H140XL : 12 746 à 29 501 Btu/h

H3W80XL : 11 624 à 30 173 Btu/h

Master Forge Poêle à grenailles de bois

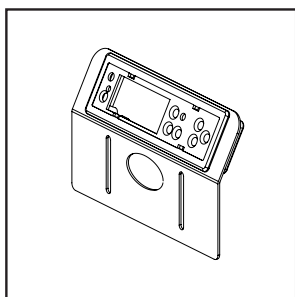
SPÉCIFICATIONS

N° de modèle	H80XL	H140XL	H3W80XL
DIMENSIONS			
Poids du poêle [kg (lb)]	80 (177)	97 (202)	105 (231)
Dimensions du poêle prof.x larg.x haut. [cm (po)]	59,7 x 55,2 x 99,7 (23,5 x 21,75 x 39,25)	61,0 x 62,2 x 100,3 (24,0 x 24,5 x 39,5)	66,5 x 62,3 x 81,3 (26,2 x 24,5 x 32)
Diamètre du tuyau d'entrée d'air [mm (po)]	50 (2)	50 (2)	50 (2)
Diamètre du tuyau de sortie d'air [mm (po)]	80 (3)	80 (3)	80 (3)
Capacité de la trémie de grenailles [kg (lb)]	36,3 (80)	63,5 (140)	36,3 (80)
SPÉCIFICATIONS DE FONCTIONNEMENT			
Carburant	Grenailles de bois	Grenailles de bois	Grenailles de bois
Chauffe approximativement ** [m ² (pi ²)]	139 - 204 (1500 - 2200)	186 - 279 (2000 - 3000)	167 - 232 (1800 - 2500)
Monoxyde de carbone produit (g/min)	Sur réglage élevé : 0,32 Sur réglage bas : 0,18	Sur réglage élevé : 0,20 Sur réglage bas : 0,36	Sur réglage élevé : 0,11 Sur réglage bas : 0,21
Taux de consommation de grenailles sur réglage bas [kg/h (lb/h)]	0,72 - Sec (1,59)	0,90 - Sec (1,98)	0,79 - Sec (1,74)
Taux de consommation de grenailles sur réglage moyen [kg/h (lb/h)]	0,92 - Sec (2,03)	1,28 - Sec (2,82)	1,07 - Sec (2,36)
Taux de consommation de grenailles sur réglage élevé [kg/h (lb/h)]	1,98 - Sec (4,37)	2,19 - Sec (4,83)	2,12 - Sec (4,67)
Rendement du poêle	84%	77%	80%
Taux de sortie de chaleur bas [BTU/ HR (kW)]	10,771 (3,16)	12,746 (3,74)	11,624 (3,41)
Taux de sortie de chaleur moyen [BTU/HR (kW)]	13,910 (4,08)	18,088 (5,30)	15,511 (4,55)
Taux de sortie de chaleur élevé [BTU/HR (kW)]	30,124 (8,83)	29,501 (8,65)	30,173 (8,84)
SPÉCIFICATIONS ÉLECTRIQUES			
Exigences d'alimentation électrique (Tension/Fréquence/Phase)	120 V / 60 Hz / 1	120 V / 60 Hz / 1	120 V / 60 Hz / 1
Courant électrique durant la phase d'allumage (Ampères)	3,3	3,3	3,3
Vitesse de rotation du moteur de la tarière (t/min)	2,4	2,4	2,4

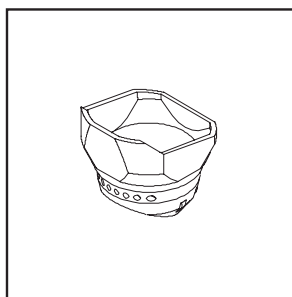
* L'énergie (BTU) de sortie variera selon la marque du combustible utilisé.

** Selon degré d'isolation de la pièce et la zone climatique. Les différences de climat et la localisation affectent les attributs comme le rendement du poêle et la production de monoxyde e carbone.

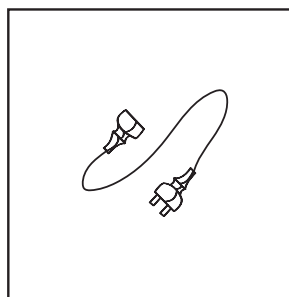
COMMENCER



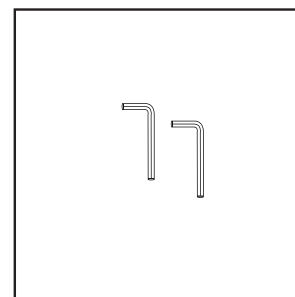
Panneau d'affichage



Pot de feu

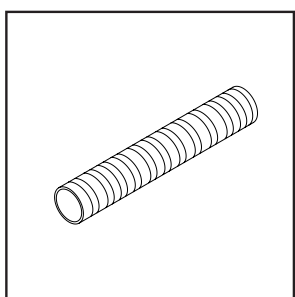


Cordon d'alimentation électrique

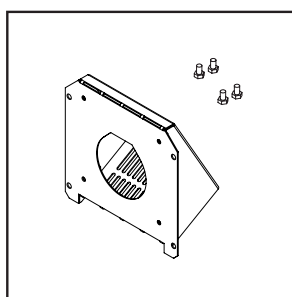


Clés Allen (x2)

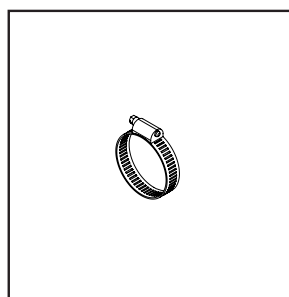
KIT D'ACCESSOIRES



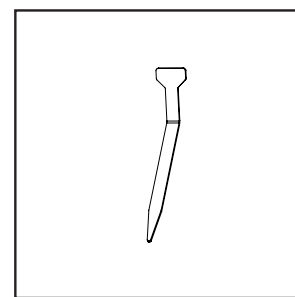
Tuyau flexible



Limite de terminaison et
Des vis (x4)



Collier de serrage



Outil de nettoyage

CE DONT VOUS AVEZ BESOIN (NON FOURNIS) OUTILS REQUIS

- Ruban à mesurer
- Tournevis Phillips (manuel ou électrique).
- Localisateur de montants
- Fil à plomb
- Scie sauteuse
- Silicone haute température ou scellant haute température ou ruban de conduit de fumée haute température
- Protection de plancher (voir SUPERFICIE DE PLANCHER et MATÉRIAUX DE REVÊTEMENT DE SOL à la page 6)
- Tuyau d'évent de 80 mm (3 po) de diamètre de type « L » ou « PL » portant les sceaux d'enregistrement UL 641, ULC S609 (Norme « Standard for 650 C Factory-Built Chimneys »), ou ULC/ORD C441. Installer selon les instructions du fabricant de cheminée (voir page 9)

ÉQUIPEMENT DE SÉCURITÉ (RECOMMANDÉ)

- Lunettes de sécurité
- Gants
- Chaussures fermées
- Un assistant (le poêle est lourd, ne tentez pas de le déplacer par vous-même).

INFORMATIONS SUR LA PILE

La télécommande qui est livrée avec votre poêle est fournie avec deux (2) pile au AAA, déjà installée.

IMPORTANTE:

- Les piles qui ne sont pas rechargeables ne doivent pas être rechargées.
- Les piles doivent être insérées avec la bonne polarité.
- Les piles épuisées doivent être retirées de la télécommande.
- Mise en garde : Éviter l'ingestion d'une ou de plusieurs piles.

⚠ AVERTISSEMENT : NE PAS JETER LES PILES DANS LE FEU. LES BATTERIES PEUVENT EXPLOSER OU FUTER.

⚠️ AVERTISSEMENT

- **DANGER D'INGESTION** : Ce produit contient une pile bouton ou une pile mince.
- **UN DÉCÈS** ou des blessures graves peuvent survenir en cas d'ingestion.
- Si avalée, une pile bouton ou une pile mince peut causer des **brûlures chimiques internes** en aussi peu de temps que **2 heures**.
- **GARDER** les piles neuves et épuisées **HORS DE PORTÉE DES ENFANTS**
- **Consulter immédiatement un professionnel de la santé** si vous suspectez qu'une pile a été avalée ou insérée à l'intérieur d'une partie du corps.



- Appeler un centre antipoison local pour déterminer les informations de traitement.
- Retirer et disposer immédiatement les piles épuisées conformément aux réglementations locales, et les garder éloignées des enfants. NE PAS disposer les piles dans une poubelle résidentielle, et ne pas les incinérer. Même une pile épuisée peut causer des blessures graves ou un décès.
- Les piles non-rechargeables ne doivent pas être rechargées. Il ne faut pas forcer la décharge, la recharge, il ne faut démonter, ni chauffer à une température supérieure (à la température spécifiée par le fabricant) ni l'incinérer. Cela pourrait causer des blessures en raison de l'évacuation, d'un coulage ou de l'explosion pouvant causer des brûlures chimiques.
- S'assurer que les piles soient installées correctement avec la bonne polarité (+ et -). Ne pas mélanger des piles anciennes avec des piles neuves, ou encore des marques ou des types différents de piles ensemble, comme des piles alcalines, carbone-zinc, ou rechargeables. Retirer et recycler ou jeter immédiatement les piles de l'équipement qui ne sera pas utilisé pendant une longue période de temps, conformément aux réglementations locales.

PRÉCAUTIONS DE SÉCURITÉ

ÉTABLISSEZ UNE RÉACTION DE SURVIE EN CAS D'INCENDIE. COMMUNIQUEZ AVEC LE SERVICE D'INCENDIE LOCAL POUR OBTENIR DES RENSEIGNEMENTS ET UNE PROCÉDURE D'ACTION À PRENDRE EN CAS DE FEU DE CHEMINÉE.

⚠️ AVERTISSEMENT : NE PAS LOCALISER DANS LES CHAMBRES À COUCHER.

⚠️ ATTENTION : MANIPULER LE POÊLE AVEC SOIN. ÉVITER DE LE SOUMETTRE À DES CHOCS OU DE L'ÉGRATIGNER ET DE FERMER BRUSQUEMENT LES PORTES VITRÉES. NE PAS FAIRE FONCTIONNER AVEC UNE OU DES VITRES ÉGRATIGNÉES, FISSURÉES OU BRISÉES.

⚠️ AVERTISSEMENT : BRÛLANT DURANT LE FONCTIONNEMENT. GARDER LES ENFANTS, LES VÊTEMENTS ET L'AMEUBLEMENT ÉLOIGNÉS. LE CONTACT POURRAIT CAUSER DES BRÛLURES.

⚠️ AVERTISSEMENT : NE JAMAIS LAISSER D'ENFANT SANS SURVEILLANCE DANS UNE PIÈCE COMPRENANT UN POÊLE EN FONCTIONNEMENT.

⚠️ AVERTISSEMENT : NE PAS CHAUFFER À BLOC. CHAUFFER LE POÊLE DE FAÇON EXCESSIVE POURRAIT CAUSER UN INCENDIE. SI L'UNITÉ OU LE RACCORD DE CHEMINÉE ROUGIT C'EST QUE LE POÊLE EST CHAUFFÉ DE FAÇON EXCESSIVE.

⚠️ AVERTISSEMENT : CE POÊLE À BOIS A UN TAUX D'ALIMENTATION MINIMUM RÉGLÉ PAR LE FABRICANT QUI NE DOIT PAS ÊTRE MODIFIÉ. IL EST CONTRAIRE À LA RÉGLEMENTATION FÉDÉRALE DE RÉGLER OU DE FAIRE FONCTIONNER CE POÊLE DE FAÇON NON CONFORME AUX INSTRUCTIONS DE FONCTIONNEMENT COMPRIS DANS CE GUIDE DU PROPRIÉTAIRE.

MONOXYDE DE CARBONE

AVERTISSEMENT :

⚠ SI UTILISÉ SANS COMBUSTIBLE ET AÉRATION ADÉQUATS, CE POËLE PEUT PRODUIRE UN EXCÈS DE MONOXYDE DE CARBONE, UN GAZ MORTEL SANS ODEUR.

AVERTISSEMENT :

⚠ DES SIGNES AVANT-COUREURS D'EMPOISONNEMENT AU MONOXYDE DE CARBONE SONT UNE RESSEMBLANCE AUX SYMPTÔMES DE LA GRIPPE AVEC CÉPHALÉES, ÉTOURDISSEMENTS ET/OU NAUSÉES. SI VOUS SOUFFREZ DE CES SYMPTÔMES, LE POËLE POURRAIT EN ÊTRE LA CAUSE EN RAISON DE MAUVAIS FONCTIONNEMENT. OBTENEZ DE L'AIR FRAIS À RESPIRER SUR LE CHAMP! FAITES UN ENTRETIEN DU POËLE.

CERTAINES PERSONNES - FEMMES ENCEINTES, PERSONNES SOUFFRANT DE PROBLÈMES CARDIAQUES OU DE MALADIES, D'ANÉMIE, CELLES EN ÉTAT D'ÉBRIÉTÉ OU PERSONNES SE TROUVANT EN RÉGION MONTAGNEUSE TRÈS ÉLEVÉE - SONT PLUS SUJETTES À ÊTRE AFFECTÉES PAR LE MONOXYDE DE CARBONE QUE LES AUTRES PERSONNES.

Peu importe le niveau de sécurité intrinsèque de ce poêle, tous les appareils consommant un carburant créent du monoxyde de carbone. Il est toujours bon de prévenir autant que possible les dangers pouvant vous affecter ainsi que votre entourage en installant un détecteur de monoxyde de carbone. Il est recommandé d'installer un détecteur dans les aires susceptibles de générer du monoxyde de carbone comme là où se trouve un poêle ou l'aire d'entreposage des grenailles ou bien les hangars chauffés par système hydronique. Suivez les instructions de montage, de fonctionnement et d'entretien fournies par le fabricant de votre détecteur.

DÉTECTEURS DE FUMÉE

Installez au moins 1 détecteur de fumée à chaque niveau de votre demeure. Suivez les instructions de montage, de fonctionnement et d'entretien fournies par le fabricant de votre détecteur. Évitez les fausses alarmes en plaçant le détecteur hors de l'emplacement immédiat du poêle. Généralement, un bon endroit pour installer les détecteurs de fumée est près des chambres à coucher.

POUR PLUS D'INFORMATION DE SÉCURITÉ

Pour des renseignements supplémentaires concernant la sécurité de fonctionnement des poêles à grenailles de bois, communiquez avec la NFPA (National Fire Protection Association), par la poste, à :

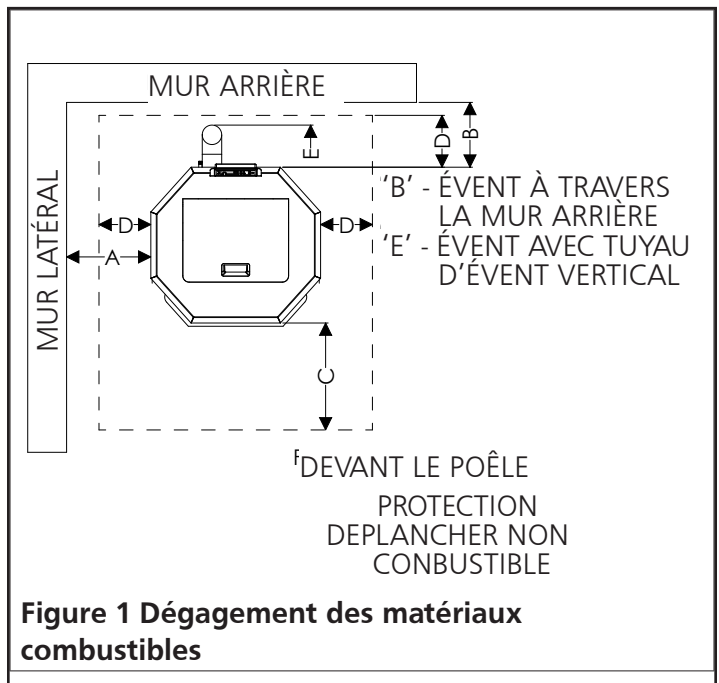
NFPA, Batterymarch Park, Quincy, MA 02269, U.S.A.

ou visitez le site Web de la NFPA :

<https://www.nfpa.org/>

DISTANCES DE DÉGAGEMENT DES MATÉRIAUX COMBUSTIBLES

Les distances de dégagement indiquées ci-dessous représentent les dégagements minimum entre le poêle et tout autre objet. Aucun objet ne devrait se trouver dans cet espace. Ceux-ci comprennent, sans s'y limiter, les tapis, meubles, enfants, animaux domestiques, vêtements, carburant ou tout autre objet. Ces distances ne pourront seulement être réduites que par les autorités ayant juridiction.



	ÉTATS-UNIS	CANADA
A	330 mm (13 po)	330 mm (13 po)
B	51 mm (2 po)	51 mm (2 po)
C	457 mm (18 po)	457 mm (18 po)
D	203 mm (8 po)	203 mm (8 po)
E	76 mm (3 po)	76 mm (3 po)

SUPERFICIE DE PLANCHER ET DÉGAGEMENTS

Lorsqu'installé sur un plancher combustible, une protection non combustible est requise pour :

- Couvrir l'aire sous le poêle en se prolongeant d'au moins 457 mm (18 po) sur le devant;
- Couvrir la surface sur les côtés du poêle sur au moins 203 mm (8 po);
- Couvrir l'aire sous le tuyau d'échappement en excédant cette aire par une couverture de 51 mm (2 po) sur les côtés.

De plus, le poêle à grenailles de bois devra être positionné de sorte :

- Qu'il y ait un dégagement minimum de 330 mm (13 po) de chaque côté de l'appareil.
- Qu'il y ait un dégagement minimum de 51 mm (2 po) à l'arrière de l'appareil.
- Que le tuyau d'échappement vertical soit dégagé d'au moins 76 mm (3 po) de tout mur.

Finalement, la pièce dans laquelle le poêle à grenailles de bois est installé devra avoir une hauteur de plafond d'au moins 2 134 mm (84 po)

MATÉRIAUX DE REVÊTEMENT DE SOL

La protection de plancher devra avoir toutes les caractéristiques suivantes :

- Enregistrement UL-1618

- Au moins 13 mm (0,5 po) d'épaisseur

- Faite de matériau non combustible

- Avoir soit :

Une valeur de résistance thermique R de 1,19 $\frac{(\text{pi}^2)(\text{h})(^\circ\text{F})}{\text{Btu}}$

Une valeur de conductivité thermique k de 0,84 $\frac{(\text{Btu})(\text{po})}{(\text{pi}^2)(\text{h})(^\circ\text{F})}$

Comme assistance pour évaluer l'acceptabilité de matériaux substitués, les équivalences de spécifications et exemples ci-dessous vous sont fournis.

Conductivité thermique k = $\frac{\text{épaisseur}}{R} \left(\frac{(\text{Btu})(\text{po})}{(\text{pi}^2)(\text{h})(^\circ\text{F})} \text{ ou } \frac{\text{W}}{(\text{m})(^\circ\text{K})} \right)$

Conductance thermique C = $\frac{1}{R} \left(\frac{(\text{Btu})}{(\text{pi}^2)(\text{h})(^\circ\text{F})} \text{ ou } \frac{\text{W}}{(\text{m}^2)(^\circ\text{K})} \right)$

Exemple : Requis pour protéger le plancher avec une valeur R de 1,19 $\frac{(\text{pi}^2)(\text{h})(^\circ\text{F})}{\text{Btu}}$.

Évaluation du mérite de briques de 57 mm (2 po)

d'épaisseur de conductivité thermique k de 4,16 $\frac{(\text{Btu})(\text{po})}{(\text{pi}^2)(\text{h})(^\circ\text{F})}$

sur une couche de panneau minéralisé de 6,3 mm (po)

ayant une valeur C de 2,3 $\frac{(\text{Btu})}{(\text{pi}^2)(\text{h})(^\circ\text{F})}$.

Étape 1. Calculez la valeur R de chaque matériau du plancher

$$R_{\text{BRIQUE}} = \frac{\text{épaisseur}}{k} = \frac{2,25}{4,16} = 0,54$$

$$R_{\text{PANNEAU}} = \frac{1}{C} = \frac{1}{2,3} = 0,434$$

Étape 2. Ajoutez les valeurs R équivalentes pour chaque matériau du plancher

$$R_{\text{BRIQUE}} + R_{\text{PANNEAU}} = 0,54 + 0,434 = 0,974$$

Étape 3. Cette valeur R combinée est **insuffisante** donc plus de protection doit être installée. Par exemple, en plaçant deux couches de briques :

$$R_{\text{BRIQUE}} + R_{\text{BRIQUE}} + R_{\text{PANNEAU}} = 0,54 + 0,54 + 0,434 = 1,514$$

Étape 4. Puisque cette valeur R combinée est plus grande que la spécification requise, ce montage sera suffisant pour protéger le plancher sous le poêle.

DÉBALLAGE

1. Sortir le poêle du carton d'emballage.
2. Retirer tout le matériel protecteur placé sur le poêle pour l'expédition.
3. Inspecter le poêle pour détecter tout dommage d'expédition. Si des dommages sont détectés, appelez le fabricant sur le champ-au 1-833-950-1184.

⚠ ATTENTION : TOUTE PIÈCE ENDOMMAGÉE POURRAIT COMPROMETTRE LE FONCTIONNEMENT SÉCURITAIRE.

- **NE PAS INSTALLER DES COMPOSANTS INCOMPLETS.**
- **NE PAS INSTALLER DES COMPOSANTS SUBSTITUÉS.**
- **NE PAS INSTALLER DES COMPOSANTS ENDOMMAGÉS.**

4. Pour assurer la sécurité de certaines pièces délicates, celles-ci sont emballées séparément. Veuillez les localiser, vraisemblablement à l'intérieur de l'appareil pour procéder à leur assemblage.

ASSEMBLAGE

Étape 1 - Panneau d'affichage

Insérer le panneau d'affichage à l'arrière du dessus du poêle. Assurez-vous de sa bonne orientation pour lecture à partir du devant du poêle. Fixez l'afficheur à l'aide des deux vis fournies.

Étape 2 - Câble d'alimentation de l'afficheur

Ce câble devrait être enroulé sous le couvercle du poêle. Insérez l'extrémité libre dans le dos du panneau d'affichage (voir figure 16 à la page 15). Ce câble devrait déjà être connecté à la carte d'alimentation du poêle. Vous pouvez vérifier cette connexion derrière la plaque d'accès à l'arrière du poêle.

Étape 3 - Cordon d'alimentation électrique

Le cordon d'alimentation se branche dans la prise à l'arrière du poêle. Après tout assemblage requis du panneau d'affichage, vous pouvez brancher votre poêle temporairement pour vous assurer du fonctionnement de l'afficheur avant de continuer l'installation. Après avoir confirmé le fonctionnement de l'afficheur, débranchez le cordon électrique.

⚠ ATTENTION : NE PAS LAISSER LE POÊLE BRANCHÉ DANS LA PRISE ÉLECTRIQUE DURANT L'ASSEMBLAGE OU LE MONTAGE.

Étape 4 - Pot de combustion

En l'absence de toute alimentation électrique, le pot de combustion devrait être inséré adéquatement dans le poêle pour que l'allumeur puisse entrer en contact avec les grenailles. Voir figure 2 ou 3.

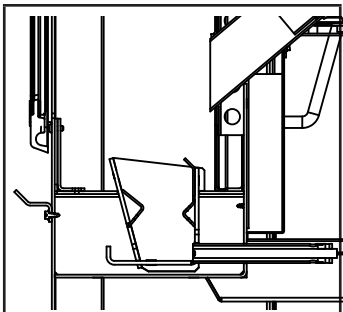


Figure 2 Pot de combustion H80XL et H140XL

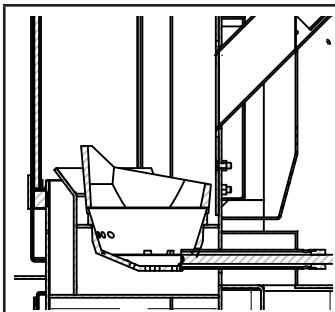


Figure 3 Pot de combustion H3W80XL

Une trousse de nettoyage est également emballée, ce qui facilitera le nettoyage de débris des perforations du pot.

Étape 5 - Trousse d'entrée d'air

Localisez la trousse d'entrée d'air expédiée avec le poêle. Voir Figure 4. Mesurez votre pièce et planifiez l'installation de l'évent horizontal pouvant être requis selon les recommandations indiquées dans EXIGENCES D'AIR FRAIS ET D'AÉRATION on page 8. Respectez toutes les exigences d'aération et suivez les directives indiquées dans INSTALLATION on page 8.

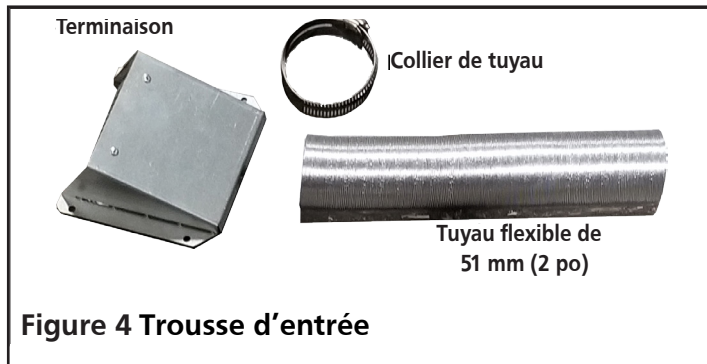


Figure 4 Trousse d'entrée

Assemblage supplémentaire H80XL, H140XL

- Poignée de porte : ouvrez la porte et vissez l'emprise plastifiée dans les filets de la poignée.

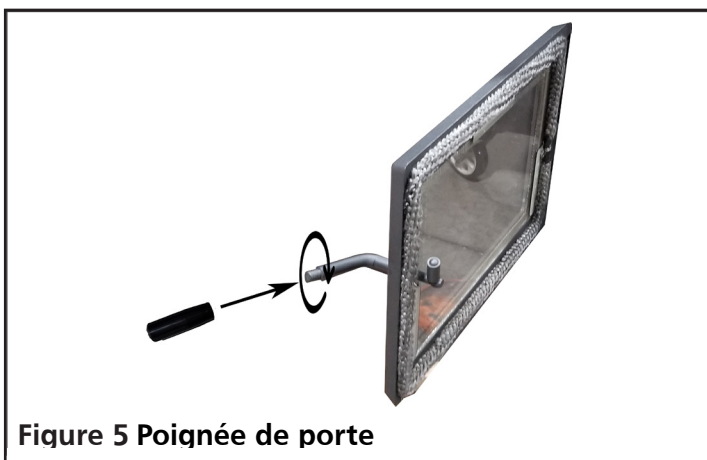


Figure 5 Poignée de porte

INSTALLATION

INFORMATION DE CONTACT

Pour toute question concernant les options de ventilation de votre poêle, veuillez contacter soit :

Le fabricant Enerco Group, Inc. à 1-833-950-1184. Nos heures de bureau sont de 8:00 h à 17:00 h, HNE, du lundi au vendredi..

NFPA (National Fire Protection Association) et demander un exemplaire de la dernière édition de la publication NFPA Standard 211. L'adresse postale de la NFPA est Batterymarch Park, Quincy, MA 02269 U.S.A.

⚠ AVERTISSEMENT : SI CE POÊLE N'EST PAS BIEN INSTALLÉ, IL POURRAIT EN RÉSULTER UN INCENDIE DE DOMICILE. POUR MINIMISER LE DANGER D'INCENDIE, SUIVRE LES DIRECTIVES D'INSTALLATION. CONTACTER LES AUTORITÉS DU CODE DE LA CONSTRUCTION OU LE SERVICE D'INCENDIE POUR CONNAÎTRE LES RESTRICTIONS ET LES INSPECTIONS D'APPROBATION REQUISES DANS VOTRE RÉGION.

⚠ ATTENTION : TOUT ÉCART OU MODIFICATION DE CES DIRECTIVES POURRAIT RÉSULTER EN DES BLESSURES OU DES DOMMAGES AU POÊLE, À LA CHEMINÉE ET À VOTRE DEMEURE. LA GARANTIE POURRAIT ÊTRE ANNULÉE. LIRE ET SUIVRE TOUTES LES INSTRUCTIONS. Pour toute préoccupation, question ou commentaire, communiquez avec Master Forge.

⚠ ATTENTION : CONTACTER LES AUTORITÉS DU CODE DE LA CONSTRUCTION OU LE SERVICE D'INCENDIE POUR CONNAÎTRE LES RESTRICTIONS ET LES INSPECTIONS D'APPROBATION REQUISES DANS VOTRE RÉGION.

PLANIFICATION

Assurez-vous que vous avez sélectionné le bon poêle pour vos besoins en consultant le tableau de spécifications à la page 3.

Prenez les mesures de vos quartiers et planifiez votre système de cheminée selon les instructions détaillées ci-dessous.

Ce poêle à grenailles peut être installé dans une maison mobile. En plus des instructions ci-dessous, passez en revue et respectez les exigences obligatoires à la page 11.

CONSIDÉRATIONS ÉLECTRIQUES

Une prise électrique devra être disponible à environ 2 m (6,5 pi) sur le mur derrière le poêle. Placer le cordon d'alimentation de façon qu'il ne vienne en contact avec la surface du poêle.

EXIGENCES D'AIR FRAIS ET D'AÉRATION

Lorsque vous décidez de la localisation du poêle, assurez-vous que l'aire sera toujours approvisionnée d'air frais. Un manque d'air pourrait appauvrir tous les appareils à combustion de vos quartiers et possiblement causer une condition dangereuse. L'approvisionnement d'air de combustion de l'extérieur pourrait être nécessaire pour garantir que les appareils à combustion ne créent pas d'émanations dangereuses à l'intérieur. Le guide pour déterminer le besoin d'air de combustion supplémentaire pourrait ne pas être exact dans toutes les situations. En cas de doute, nous conseillons d'amener un approvisionnement d'air supplémentaire. De l'air de combustion extérieur pourrait être requis si les indications ci-dessous, ou d'autres indications, suggèrent que l'apport d'air est insuffisant :

- Le poêle à grenailles de bois n'aspire pas de façon constante et produit des bouffées de fumée, les grenailles ne brûlent pas facilement et le tirage de la cheminée s'inverse lors de combustion ou non.
- Autre équipement de combustion dans la maison, tel un foyer ouvert ou autre appareil de combustion dégageant odeur de combustion ou ne fonctionnant pas adéquatement, dégage de la fumée dans la pièce lorsqu'ouvert pour chargement ou soumis à un tirage inverse de cheminée lors de combustion ou non.
- Si n'importe lequel des symptômes ci-dessus se redresse lors de journées non venteuses ou en ouvrant une fenêtre légèrement.
- La maison est très étanche avec pare-vapeur et fenêtres bien scellées ou possède des dispositifs d'expulsion d'air intérieur.
- Une condensation excessive se produit dans les fenêtres en hiver.
- Un système d'aération est installé sur la maison.

De l'air de combustion supplémentaire pourrait être approvisionné au poêle à grenailles de bois directement de l'extérieur par l'entremise de la trousse d'entrée d'air comprise pour se connecter à l'entrée d'air en bas à l'arrière du poêle. Toute installation de la sorte devra satisfaire la Clause 4 de la norme B365 de la CSA.

⚠ ATTENTION : NE JAMAIS ASPIRER D'AIR DE COMBUSTION DU :

- PLÉNUM D'AIR DES MURS, DU PLANCHER ET DU PLAFOND.
- D'UN ESPACE CLOS TEL UN GRENIER, UN VIDE SANITAIRE OU UN GARAGE.

⚠ ATTENTION : SI UN TUYAU D'ENTRÉE D'AIR EST RACCORDÉ, ALORS LE POÊLE DEVRA ÊTRE FIXÉ À LA STRUCTURE DE LA MAISON.

EXIGENCES D'ÉVACUATION ADDITIONNELLE

Un minimum de 1,8 m (6 pi) de tuyau d'évent (n'incluant pas les coudes) doit être utilisé.

- Utiliser un tuyau d'évent de 8 cm (3 po) pour le système en entier, OU il est possible d'utiliser un adaptateur de 10/15 cm (4 ou 6 po) sur l'évacuation, immédiatement là où elle quitte le poêle.
- Si le système a plus de 4,9 m (16 pi), utiliser un tuyau d'évent de 10 cm (4 po).
- La longueur minimale du conduit vertical est de 1,2 m (4 pi), et un coude à 45 degrés/chapeau de cheminée est requis sur la terminaison de l'évacuation.

IMPORTANT: Un scellant à la silicone doit être ajouté entre les doubles parois d'un conduit terminal.

EXIGENCES ET ASSEMBLAGE DES RACCORDS

⚠ ATTENTION : LE TUYAU DE RACCORDEMENT DE CHEMINÉE NE DOIT PAS TRAVERSER LE GRENIER OU LE TOIT, OU TOUT GARDE-ROBE OU ARMOIRE (OU AUTRE ESPACE CLOS) NI LE PLANCHER OU LE PLAFOND. POUR LE RACCORDEMENT D'APPAREILS DE CHAUFFAGE À COMBUSTIBLE SOLIDE À TRAVERS UN MUR OU PARTITION DE MATÉRIAU COMBUSTIBLE, L'INSTALLATION DEVRA ÊTRE CONFORME À LA NORME CAN/CSA-B365.

Tous les tuyaux et coudes devraient être installés avec l'extrémité à serrer vers le poêle (et non vers la sortie de la cheminée) et devraient être fixés avec trois vis à métal réparties également sur la circonférence.

Les raccords, coudes et sections de cheminée devraient être de type « L » ou « PL » et de diamètre de 80 mm (3 po) puisque le système d'aspiration est basé sur une pression négative dans la chambre à combustion et une légère surpression à la sortie des gaz. Il sera donc important que le raccordement de la tuyauterie soit bien ajusté et scellé. Nous recommandons que la tuyauterie des raccords, des coudes et de la cheminée soient de type B pour aération à double paroi et de calibre minimum n°24.

Veillez noter que les coudes dans le système d'échappement réduisent le débit d'air, diminuant la performance et qu'ils offrent un point d'accumulation de dépôts de cendre nécessitant un nettoyage plus fréquent.

⚠ ATTENTION : LES JONCTIONS DE TOUS LES TUYAUX DE RACCORDEMENT DE SYSTÈME D'AÉRATION (CANALISATION OPTIONNELLE D'ENTRÉE D'AIR OU ÉCHAPPEMENT DE COMBUSTION) DEVRONT ÊTRE SCÉLLÉES À L'AIDE DE SILICONE RÉSISTANT AUX TEMPÉRATURES ÉLEVÉES.

EXIGENCES GÉNÉRALES D'AÉRATION

⚠ ATTENTION : NE RACCORDER À AUCUNE CANALISATION OU SYSTÈME DE DISTRIBUTION D'AIR.

⚠ ATTENTION : NE PAS RACCORDER CETTE UNITÉ À UNE CHEMINÉE CONNECTÉE À UN AUTRE APPAREIL.

⚠ ATTENTION : NE PAS INSTALLER DE REGISTRE DE TIRAGE À CLAPET DANS LE TUYAU D'ÉCHAPPEMENT DE CE POÊLE À GRENAILLES DE BOIS.

⚠ ATTENTION : NE PAS INSTALLER DANS UN FOYER.

Ce poêle à grenailles de bois doit être connecté à une cheminée portant l'une ou l'autre des homologations suivantes :

- Enregistrement de classe A conforme aux exigences du type HT de la norme UL 103 (Standard for Chimneys, Factory-Built, Residential Type and Building Heating Appliance)
- Cheminée de maçonnerie certifiée ICBO (International Conference of Building Officials) pour les poêles à combustible solide.

CAPUCHON D'ÉVENT

- Installer l'évent d'échappement en respectant les distances de dégagement spécifiées par le fabricant.
- Installer le capuchon d'évent d'échappement en respectant les distances de dégagement spécifiées par le fabricant.
- Si vous utilisez la trousse d'entrée d'air, assurez-vous qu'il y ait au moins 30 cm (12 po) de dégagement entre le capuchon d'évent et la bouche d'entrée d'air.
- Il est aussi recommandé de garder au moins 30 cm (12 po) de dégagement entre la sortie d'évent et les fenêtres, portes ou coins de murs extérieurs.
- Les endroits traversés vers l'extérieur par la cheminée ou d'autres composants devront être scellés à la silicone.
- Pour confirmer que toutes les exigences sont respectées, se référer aux codes locaux.

Les cheminées verticales devront répondre aux exigences minimales suivantes :

- Longueur minimum de 4,6 m (15 pi) mesuré du dessus du poêle jusqu'au dessus du capuchon de la cheminée.
- Si la faite du toit se trouve à une distance verticale de moins de 305 cm (10 pi) du point de sortie de la cheminée, le dessus de son capuchon devra dépasser le plus haut point du toit de d'au moins 61 cm (2 pi).
- La longueur de la cheminée dépassant le toit doit être d'un minimum de 91 cm (3 pi).

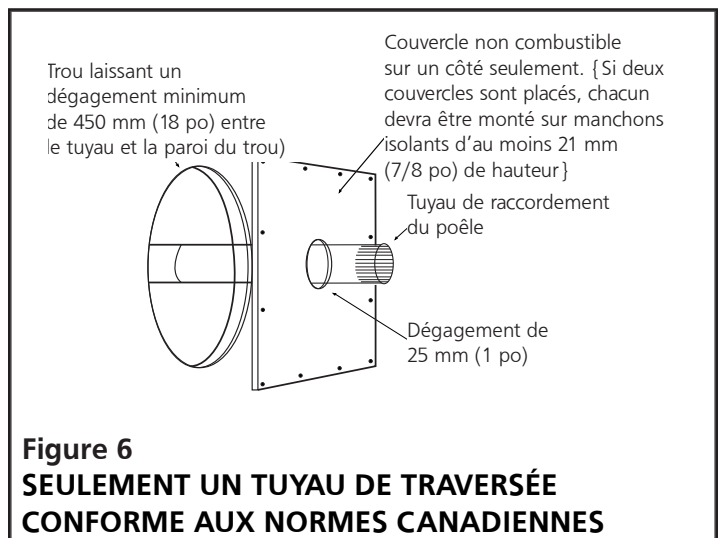
Les cheminées horizontales devront répondre aux exigences minimales suivantes :

- Être à une hauteur d'au moins 30 cm (12 po) au dessus du sol ou autres obstructions (patio, balcon, véranda ou bosquet de végétation).

TRAVERSÉE DE MUR

Lorsque le passage à travers un mur ou une partition de matériau inflammable est requis, le montage devra se conformer aux directives du fabricant.

REMARQUE : Au Canada, l'installation devra être conforme à la norme CAN/CSA-B365 (voir figure 6).



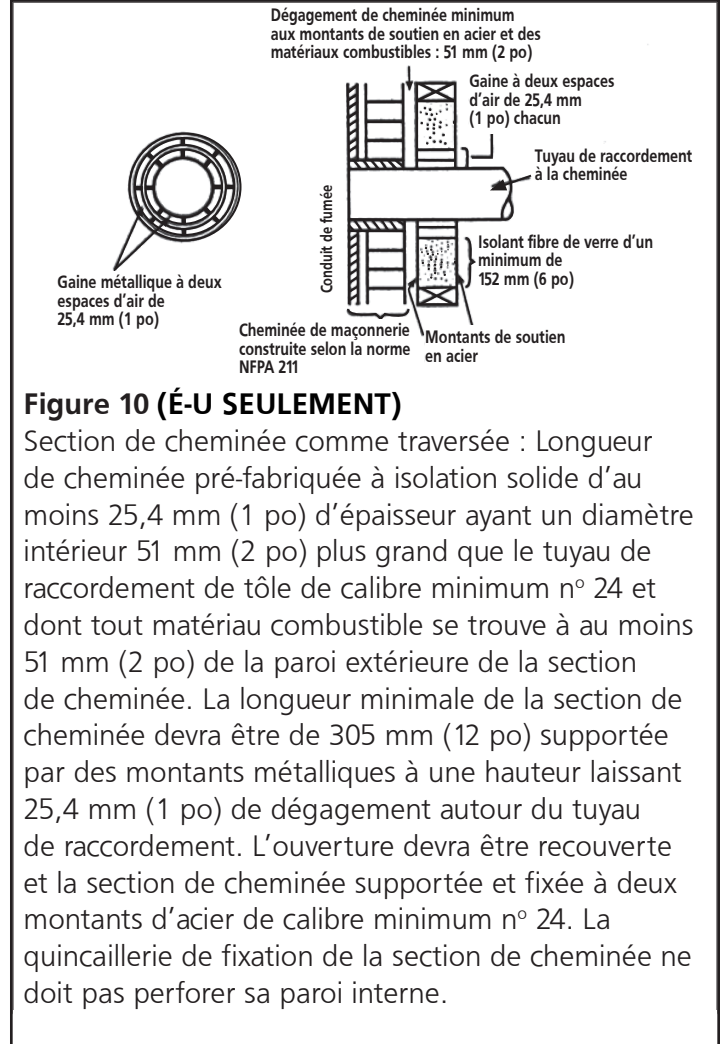
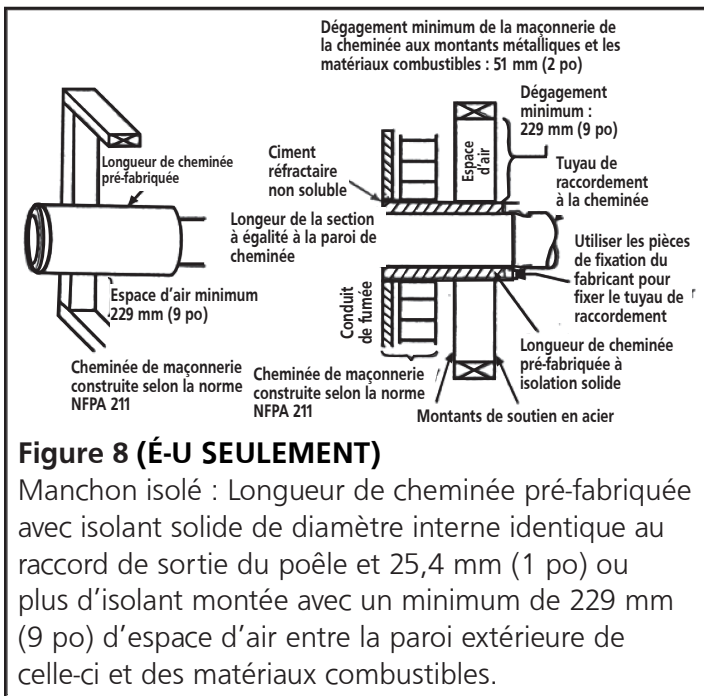
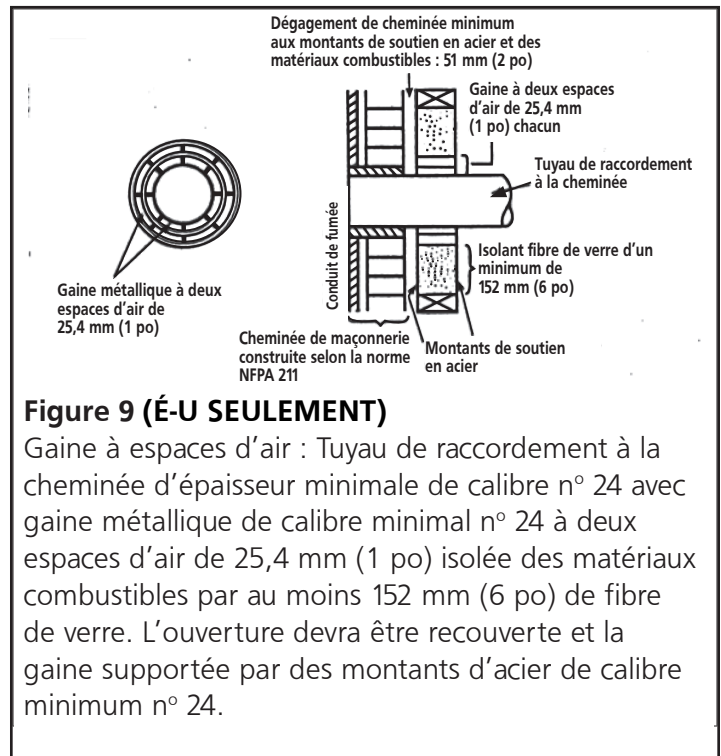
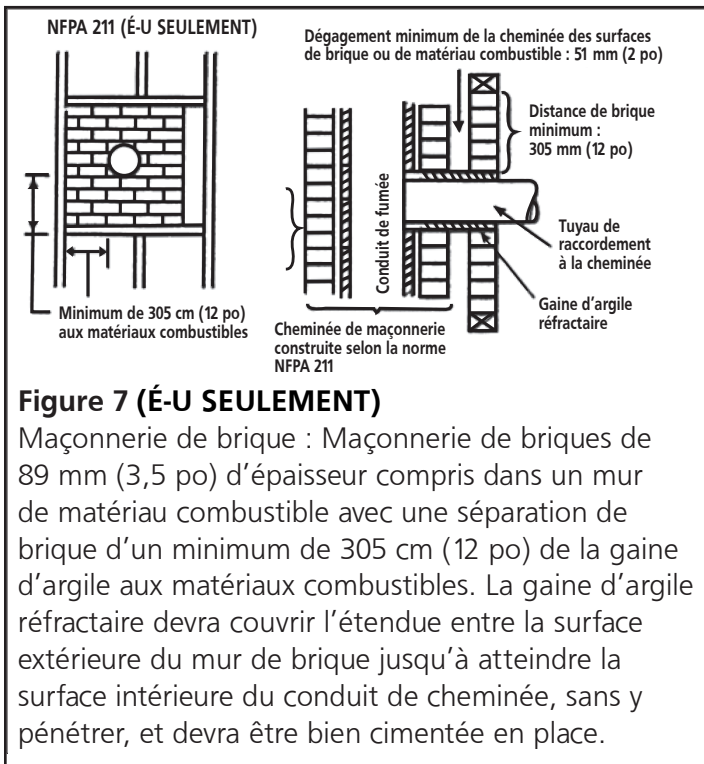
EXIGENCES SUPPLÉMENTAIRES POUR MAISONS MOBILES

⚠ AVERTISSEMENT : NE PAS LOCALISER DANS LES CHAMBRES À COUCHER.

PIÈCES ET MATÉRIAUX REQUIS (NON FOURNIS)

- Une cheminée de diamètre de 80 mm (3 po) conforme à la norme UL-103 (Standard for Factory-Built Chimneys for Residential Type and Building Heating Appliances).
- Gaine aérée de plafond adéquate pour utilisation dans les maisons mobiles.
- Gaine aérée de toit adéquate pour utilisation dans les maisons mobiles.
- Parafoudre adéquat pour utilisation dans les maisons mobiles.
- Solin de toit adéquat pour utilisation sur les maisons mobiles.

TECHNIQUES DE TRAVERSÉE DE MUR APPROUVÉES NFPA 211 (É-U SEULEMENT)



EXIGENCES D'INSTALLATION SUPPLÉMENTAIRES

- La cheminée devra être directement attachée à l'appareil de chauffage et devra dépasser le toit traversé d'au moins 0,9 m (3 pi).
- Le dessus de la cheminée devra dépasser d'au moins 0,6 m (2 pi) tout objet élevé dans un rayon de 3 m (10 pi) de la cheminée.
- Les sections d'extrémité de la cheminée devront pouvoir être démontées jusqu'à une hauteur de 4,1 m (13,5 pi) au-dessus du sol sans nécessiter d'équipement particulier.
- Le montage de la cheminée devra être sécurisé par une fixation mécanique au support du toit et du plafond.
- Exigences de gardes protectrices de cheminée :
 - Lorsque la cheminée sort de la maison mobile à un endroit autre qu'à travers le toit à une hauteur de moins de 2,1 m (7 pi) au-dessus du sol, une garde protectrice entourant la cheminée devra être installée sur toute la longueur de la cheminée en-dessous de 2,1 m (7,pi).
 - La garde protectrice ne devra pas comporter d'ouverture pouvant laisser pénétrer tout objet de diamètre de 19 mm (3/4 po) ou plus.
 - La garde protectrice ne devra pas comporter d'ouverture pouvant laisser pénétrer tout objet de diamètre de 16 mm (1/2 po) ou moins à plus de 102 mm (4 po) à l'intérieur.
- Le poêle doit être monté sur un plancher à niveau pouvant supporter son poids.
- Le poêle devra être boulonné à la surface au niveau de façon permanente pour ne pas qu'il puisse être déplacé, être basculé ou placé de façon compromettant une aération adéquate.
- Une canalisation permanente d'admission d'air frais pour entretenir la combustion devra être installée en répondant aux exigences suivantes :
 - La canalisation devra être totalement métallique sans comporter d'autre matériau tel le plastique.
 - Son extrémité devra posséder un grillage prévenant la vermine de s'y infiltrer.
 - La bouche d'entrée devra être libre en tout temps de feuilles, neige, glace ou autre débris pouvant restreindre l'alimentation d'air pour un fonctionnement adéquat de l'appareil.
- Les jonctions de tous les tuyaux de raccordement des deux systèmes d'aération (l'entrée et l'évacuation d'air) devront être scellées à l'aide de silicone résistant aux températures élevées.

- La cheminée devra être conforme à tous les codes applicables et exigences des autorités ayant juridiction.
- Si la maison mobile doit être déplacée, la cheminée devra être déposée et reposée selon les codes locaux à sa destination.

Le système du conduit de fumée est basé sur une pression négative dans la chambre à combustion et une légère surpression à la sortie des gaz. Il sera donc important que le raccordement de la tuyauterie soit bien ajusté et scellé.

⚠ ATTENTION : L'INTÉGRITÉ STRUCTURELLE DU PLANCHER, DES MURS, DU PLAFOND ET DU TOIT DEVRA ÊTRE MAINTENUE.

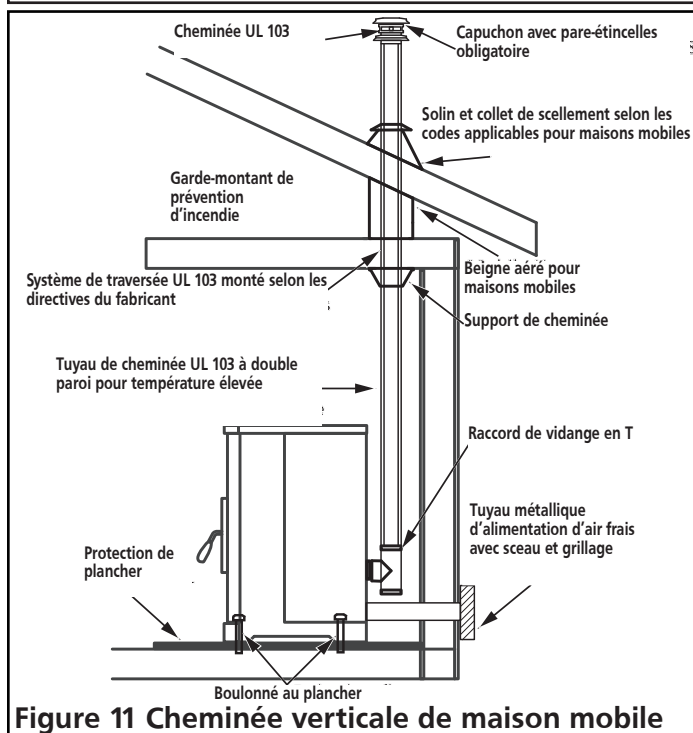


Figure 11 Cheminée verticale de maison mobile

INSTRUCTIONS ET SCHÉMA DE CHEMINÉE DE MAÇONNERIE AVEC CONDUIT DE FUMÉE

Ce poêle est conçu pour une évacuation par une cheminée de maçonnerie conforme au code du bâtiment et code des incendies locaux ainsi qu'aux dernières éditions des normes NFPA 211 aux États-Unis ou CSA-B365 au Canada.

1. Si la tuyauterie de raccordement du poêle à la cheminée de maçonnerie est faite à travers un mur de matériau combustible, consultez un maçon qualifié ou un dépositaire de cheminée pour des conseils. Pour garantir la sécurité de l'installation, celle-ci devrait seulement être faite par un installateur qualifié. L'installation devra être faite en conformité aux règlements établis et aux codes du bâtiment et des incendies locaux.
2. Le tuyau de raccordement à la cheminée ne devra pas causer obstruction à l'intérieur du conduit de fumée comme montré à la figure 12 ci-dessous.

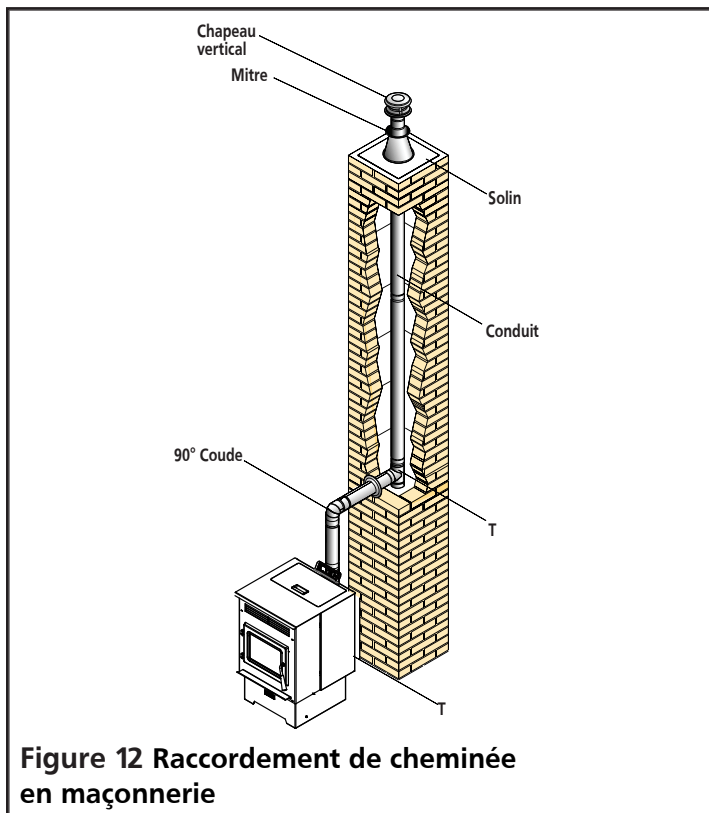


Figure 12 Raccordement de cheminée en maçonnerie

3. Toute ouverture à la base de la cheminée devra être fermée de façon étanche.

INSTRUCTIONS ET SCHÉMA DE CHEMINÉE PRÉFABRIQUÉE

⚠ AVERTISSEMENT : NE PAS SE SERVIR D'UN TUYAU DE POÊLE À PAROI UNIQUE COMME CHEMINÉE.

Ce poêle est conçu pour être utilisé soit avec une cheminée pré-fabriquée possédant un enregistrement UL 103HT (aux États-Unis) ou ULC-S629 (au Canada) ou avec une cheminée de maçonnerie avec conduit de fumée approuvée. Les cheminées pré-fabriquées ne sont pas toutes enregistrées UL103 HT/ULC-S629. Les centres de rénovation domiciliaires, les quincailleries et les magasins de fournitures CVCA ainsi que les sites Web de fabricants de cheminées pourront vous fournir des tuyaux de poêle isolés répondant à ces normes.

Cet enregistrement indique que ces produits sont conçus pour une température élevée jusqu'à 1 149 C (2 100 F).

N'assembler que des sections provenant du même fabricant. Ne pas utiliser des sections de différentes marques dans un même système d'aération.

Les illustrations ci-dessous montrent différentes méthodes et exigences d'utilisation de cheminée pré-fabriquée et des tuyaux de raccordement au poêle.

FONCTIONNEMENT

THÉORIE DE FONCTIONNEMENT

1. La combustion se produit dans le pot du poêle qui est alimenté en air par des trous en périphérie et en-dessous de celui-ci. Veuillez noter que de l'air est soufflé par le dessus de la chambre de combustion, prévenant

Master Forge Poêle à grenailles de bois

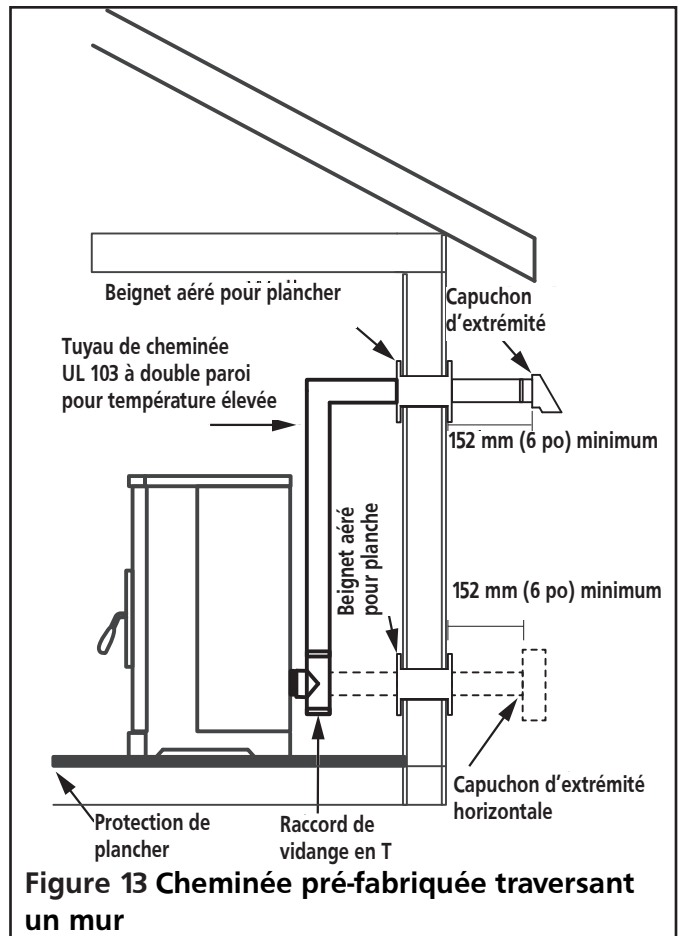


Figure 13 Cheminée pré-fabriquée traversant un mur

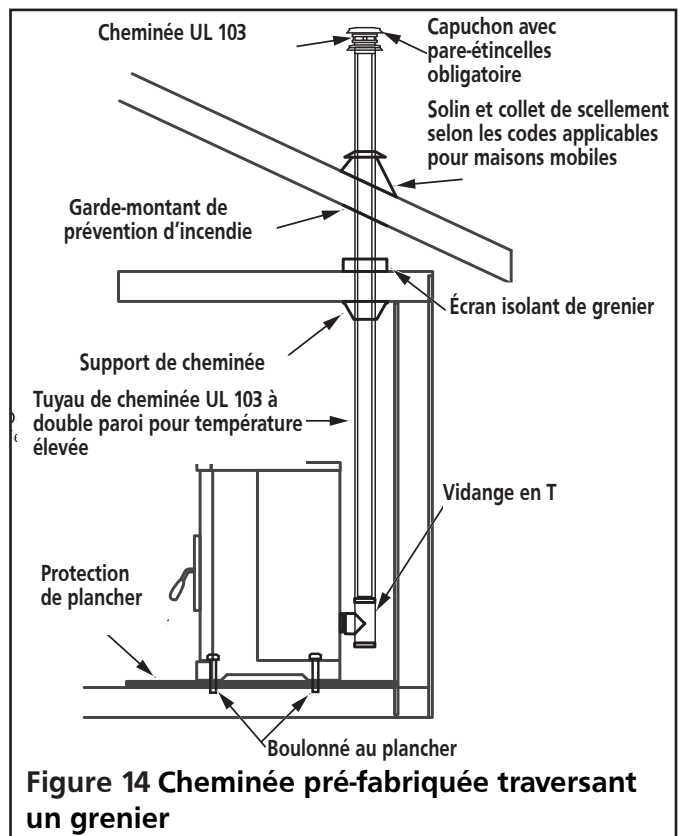
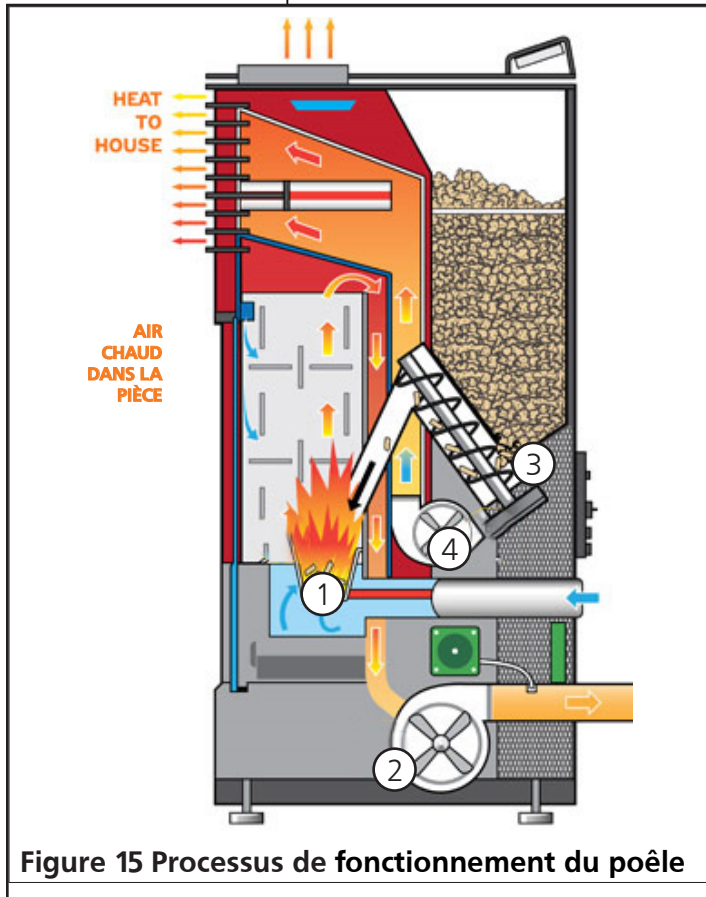


Figure 14 Cheminée pré-fabriquée traversant un grenier

l'accumulation de cendre et de débris sur la porte.

2. Le ventilateur d'échappement aspire les produits consommés volatils et les expulse par la tuyauterie de sortie installée par l'utilisateur.
3. La tarière transfère les grenailles de la trémie au pot de combustion pour alimenter le feu.
4. Un ventilateur de l'appareil à convection fait circuler l'air sur les parois externes du pot à combustion propageant l'air chauffé dans la pièce.



COMBUSTIBLE APPROUVÉ :

Ne pas utiliser de grenailles de qualité inférieure à la première qualité PFI. Les grenailles de bois franc naturelles à 100 % (non traitées, sans agent agglomérant et d'un maximum de 5 % d'écorce) sont le seul combustible approuvé pour utilisation avec ce poêle. Pour un rendement maximum, voir les spécifications ci-dessous :

- Valeur calorifique de 5,3 kWh/kg
- Densité de 700 kg/m³
- Les grenailles devraient être à faible production de cendre (moins de 1 %)
- Les grenailles devraient être de moins de 30 mm de long et de diamètre entre 5 et 6,5 mm.
- Ne pas utiliser les sédiments et débris au fond des contenants de grenailles.
- Entreposer les grenailles dans des sacs à deux ou trois couches de papier (comme ceux des sacs de ciment) ou faits de produits synthétiques biologiquement dégradables et neutres au point de vue environnemental.

L'utilisation de grenailles de bois non conformes à ces spécifications pourrait résulter en des problèmes d'allumage, une plus grande production de créosote ou l'accumulation de cendres volatils, de combustion incomplète, une faible production de chaleur et le noircissement de la porte vitrée.

- ⚠ ATTENTION : NE PAS SE SERVIR DE PRODUITS CHIMIQUES OU DE LIQUIDES POUR DÉMARRER LA COMBUSTION.**
- ⚠ ATTENTION : NE PAS INSÉRER DE DÉCHETS OU DE PRODUITS INFLAMMABLES TEL L'ESSENCE, LE NAPHTA OU DE L'HUILE À MOTEUR DANS LE POT DE COMBUSTION.**
- ⚠ ATTENTION : NE JAMAIS TENTER D'UTILISER UN DES PRODUITS ÉNUMÉRÉS CI-DESSOUS COMME COMBUSTIBLE :**
- Produits du papier, carton ou panneau de particules;
 - Déchets;
 - Carcasses ou fumier d'animaux;
 - Résidus de tonte de gazon ou déchets de cultures;
 - Produits du pétrole usés;
 - Charbon;
 - Débris de construction ou de démolition;
 - Traverses de chemin de fer ou bois traité sous pression;
 - Matériaux comprenant
 - amiante
 - plastic
 - caoutchouc (pneus compris)
 - Produits du pétrole tel
 - peintures
 - solvants à peinture
 - produits d'asphalte
- BRÛLER CES MATÉRIaux POURRAIT CRÉER DES ÉMANATIONS TOXIQUES OU RENDRE LE POÊLE INUTILISABLE ET DÉGAGER DE LA FUMÉE**

Ne pas remiser les grenailles de bois ou d'autres produits d'allumage sur le protecteur de plancher, sous le tuyau de raccordement à la cheminée ou n'importe où à une distance inférieure aux dégagements minimum des surfaces combustibles indiqués à la page 5.

Les grenailles de bois devraient être entreposées dans un endroit sec et bien aéré.

- ⚠ MISE EN GARDE : NE PAS stocker les granulés non utilisés dans le poêle pour une utilisation ultérieure, car ils pourraient accumuler de l'humidité. L'utilisation de granulés humides ou mouillés peut entraîner des difficultés d'allumage, une combustion incomplète et un risque d'incendie dans la trémie.**

PRÉCAUTIONS POUR LE FONCTIONNEMENT

⚠ AVERTISSEMENT : BRÛLANT DURANT LE FONCTIONNEMENT. NE PAS TOUCHER LE POÊLE. GARDER LES ENFANTS, LES VÊTEMENTS ET L'AMEUBLEMENT ÉLOIGNÉS. LE CONTACT POURRAIT CAUSER DES BRÛLURES.

⚠ ATTENTION : AVANT D'UTILISER LE POÊLE S'ASSURER QUE LE POT DE COMBUSTION ET LE CABARET SOUS-JACENT SONT PROPRES ET BIEN POSITIONNÉS.

⚠ AVERTISSEMENT : NE JAMAIS UTILISER DE LIQUIDE D'ALLUMAGE DE CHARBON, DE KÉROSÈNE, D'HUILE À LAMPE OU D'ESSENCE POUR ALLUMER OU RÉ-ACTIVER LE FEU DANS CETTE UNITÉ. GARDER TOUTES CES SUBSTANCES BIEN À L'ÉCART DU POÊLE LORS DE SON FONCTIONNEMENT.

POLYMÉRISATION DE LA PEINTURE

Pour permettre à la peinture de se lier au poêle de façon durable, faites-le chauffer au réglage haut (P1) durant 60 minutes. Pour évacuer les émanations de fumée ou odeurs créés par ce processus de cure, ouvrez portes et fenêtres opposées de la pièce.

PROCÉDURE DE FONCTIONNEMENT : ALLUMAGE DU POÊLE

REMARQUE : Si l'afficheur indique que le cycle d'extinction est en cours (« Switching Off »), ce cycle ne pourra être annulé. En cas de tentative, un message indiquera que le cycle ne peut être interrompu. Le poêle pourra seulement être rallumé après que le cycle d'extinction sera terminé après que l'échangeur de chaleur aura refroidi.

1. Branchez le cordon d'alimentation dans la prise située à l'arrière du poêle et appuyez sur l'interrupteur à bascule rouge MARCHE/ARRÊT situé au-dessus sur MARCHE. Voir Figure 16.

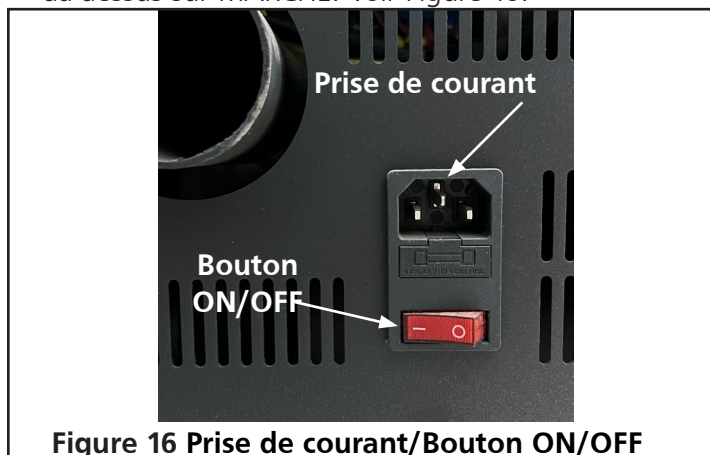



Figure 16 Prise de courant/Bouton ON/OFF

REMARQUE: POUR EMPÊCHER LE POÊLE DE FONCTIONNER, ÉTEINDRE L'INTERRUPTEUR D'ALIMENTATION ROUGE EN BAS, À L'ARRIÈRE DU POÊLE.

2. S'assurer que les joints d'étanchéité de la porte et du tiroir de cendre sont en bon état. Pour la première opération, ajouter une poignée de grenailles directement dans la chambre de combustion. Fermer le tiroir de cendre et les portes hermétiquement et s'assurer que les panneaux latéraux ont bien été installés.

REMARQUE : NE PAS UTILISER DE GRILLE, FER OU TOUT AUTRE DISPOSITIF POUR PLACER LES GRENAILLES DE BOIS DANS LE POT DE COMBUSTION. SEUL LE POT LUI-MÊME, PARTICULIER À VOTRE MODÈLE DE POÊLE, DOIT ÊTRE UTILISÉ.

3. Ouvrez la trémie. Assurez-vous qu'elle est suffisamment remplie. Refermez la trémie.

4. Appuyez sur le bouton d'alimentation  durant 3 secondes. Le poêle procédera automatiquement à effectuer ce qui suit :

- Cycle de nettoyage : Le pot de combustion est nettoyé des cendres, poussières et résidus accumulés.
- Cycle d'alimentation : Les grenailles passeront de la trémie au pot de combustion par l'entremise de la tarière. Selon le modèle de poêle, ceci pourra prendre de 5 à 15 minutes.
- Cycle d'allumage : L'allumeur à surface chaude électrique sera tout le cycle d'allumage et pendant quelques minutes après que le poêle se sera stabilisé et pour entamer la combustion des grenailles dans le pot. L'allumeur demeurera activé jusqu'à ce que la température de l'air/fumée d'échappement atteigne le seuil de température de fonctionnement autonome.
- Cycle de stabilisation : Le système ajustera les fonctions pour procurer la température désirée. La stabilisation se poursuivra jusqu'à ce que le poêle lise la température souhaitée par le thermostat.

5. Le poêle est alors allumé.

PROCÉDURE DE FONCTIONNEMENT : EXTINCTION DU POÊLE

REMARQUE : LE POÊLE PEUT ÊTRE ÉTEINT DURANT TOUS LES CYCLES INDIQUÉS À L'AFFICHEUR EN ACTIONNANT ET MAINTENANT LE BOUTON D'ALIMENTATION DURANT TROIS SECONDES. UNE FOIS QUE L'AFFICHEUR INDIQUE QUE LE POÊLE EST EN MODE DE STABILISATION, ACTIONNEZ LE BOUTON D'ALIMENTATION UNE AUTRE FOIS. LE POÊLE SE METTRA EN CYCLE DE REFROIDISSEMENT (AFFICHÉ À L'ÉCRAN).

⚠ ATTENTION : APRÈS LE CYCLE DE REFROIDISSEMENT, LE POÊLE COMMENCERA AUTOMATIQUÉMENT UN NOUVEAU CYCLE DE FONCTIONNEMENT.

- Appuyez sur le bouton d'alimentation durant 3 secondes. Le poêle procédera automatiquement à effectuer ce qui suit :
 - Arrêt du chauffage : Les grenailles se trouvant dans la chambre de combustion continueront à se consommer et produire flamme et chaleur. Elles devraient être toutes consommées après 5 à 8 minutes. L'échangeur de chaleur pourra alors commencer à refroidir.
 - Goodbye : Le dernier message présenté à l'afficheur indiquant que le poêle s'est refroidi.
- Le poêle est alors éteint.

FONCTIONNEMENT AVEC UNE GÉNÉRATRICE ÉLECTRIQUE

Ce poêle est conçu pour avoir l'option d'être alimenté par une génératrice électrique, mais les génératrices ne sont pas toutes compatibles pour fonctionner avec cet appareil. Consultez les spécifications de votre génératrice concernant son régulateur de tension et assurez-vous qu'elles correspondent aux exigences de votre poêle telles qu'indiquées à la page 3.

COMMENT MINIMISER LA FORMATION DE CRÉOSOTE

Pour les explications concernant la formation et le nettoyage de créosote, voir ENTRETIEN on page 17. Pour ralentir l'accumulation de créosote dans votre cheminée, n'utilisez que les grenailles recommandées à la page 12.

DISPOSITION DES CENDRES

⚠ ATTENTION : DES BRAISES POURRAIENT SE TROUVER SOUS LA CENDRE. POUR LA MANIPULATION DES CENDRES UTILISEZ TOUJOURS DES OUTILS POUR CHARBONS ARDENTS, JAMAIS AVEC VOS MAINS! PORTER DES VÊTEMENTS IGNIFUGES ET UNE PROTECTION OCULAIRE.

Les cendres devraient être placées dans un contenant métallique avec un couvercle hermétique.

- D'autres rebuts ne doivent pas être mis dans le contenant de cendres.
- Le contenant de cendres fermé devrait être placé sur un plancher non combustible ou sur le sol, éloigné de tout matériau combustible jusqu'à ce qu'il soit refroidi.
- Les résidus minéraux du bois (environ 1 à 2 %) demeurent dans les cendres et sont un excellent fertilisant naturel pour tous les plants de jardin. Avant de disposer des cendres en les enfouissant dans le sol ou en les dispersant d'autre façon, elles devraient être gardées dans le contenant fermé jusqu'à ce que toutes les braises aient refroidi et elles devraient également être éteintes avec de l'eau.

Fonctionnalité des boutons de la télécommande :

Les boutons de la télécommande affecteront le poêle de la même façon que les boutons sur l'appareil :

Bouton de télécommande	Équivalent sur l'appareil
	
	
	
	
	

Remarque : Aucun témoin ou afficheur ne se trouve sur la télécommande, confirmant l'activation de la commande. Pour vérifier l'état de fonctionnement du poêle, installez l'application Smart Stove sur votre téléphone intelligent. Remarque:La portée de la télécommande est de 16 pieds (5 m).

CONNEXION WI-FI « SMART STOVE »

L'état de votre poêle peut être surveillé, contrôlé et programmé en utilisant l'application Smart Stove. (par NHHATC) qui est disponible à votre magasin d'applications pour les plateformes iOS ou Android.

Étape 1. Téléchargez l'application Smart Stove de NHHATC

Étape 2. Ouvrez l'application Smart Stove. L'application s'ouvre, par défaut, à l'écran « S'inscrire ». Cliquez sur le bouton « S'inscrire ».

Étape 3. Entrez votre adresse courriel dans le champ « Courriel » et cliquez sur le bouton « Obtenir le code de vérification ».

Étape 4. Entrez le code de vérification qui vous a été envoyé par courriel dans le champ « Saisir le code de vérification ».

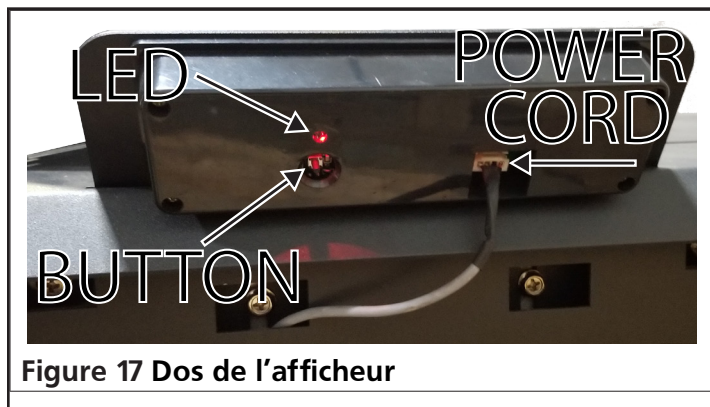
Étape 5. Vous pouvez maintenant définir un mot de passe unique pour votre appareil dans le champ « Définir le mot de passe » et cliquer sur le bouton « Terminé ».

Étape 6. Si vous n'avez pas d'autres dispositifs Wi-Fi déjà actifs sur cette application, un gros bouton «Ajouter un appareil» se trouvera au centre de l'écran sur lequel vous pouvez taper. Autrement, sélectionnez le signe + du coin supérieur droit de l'écran.

Étape 7. Assurez-vous que le poêle se connecte au réseau Wi-Fi accédé par votre dispositif.

Étape 8. Assurez-vous que le poêle est branché dans une prise électrique et qu'il peut être mis en marche.

Étape 9. Suivez les directives à l'écran en appuyant et maintenant le bouton de connexion à l'arrière de l'afficheur durant 3 secondes comme montré ci-dessous. Lorsque la séquence de clignotement de recherche du témoin s'active, appuyez sur le bouton de confirmation au bas de l'écran.



Étape 10. Saisissez le mot de passe du réseau wi-fi de sorte que le poêle puisse se connecter au réseau.

Étape 11. Le poêle commencera la procédure d'appariement avec le dispositif utilisant l'application par l'entremise du réseau wi-fi. Ce processus pourrait prendre quelques minutes.

Étape 12. Après que le dispositif et l'appareil seront appariés vous pourrez voir l'icône du poêle à grenailles sous l'onglet « Devices » au bas de l'écran.

Étape 13. Sur votre dispositif, naviguez à vos vos réglages de dispositifs wi-fi qui comprendront maintenant le poêle comme un des choix. Sélectionnez le poêle comme votre connexion wi-fi.

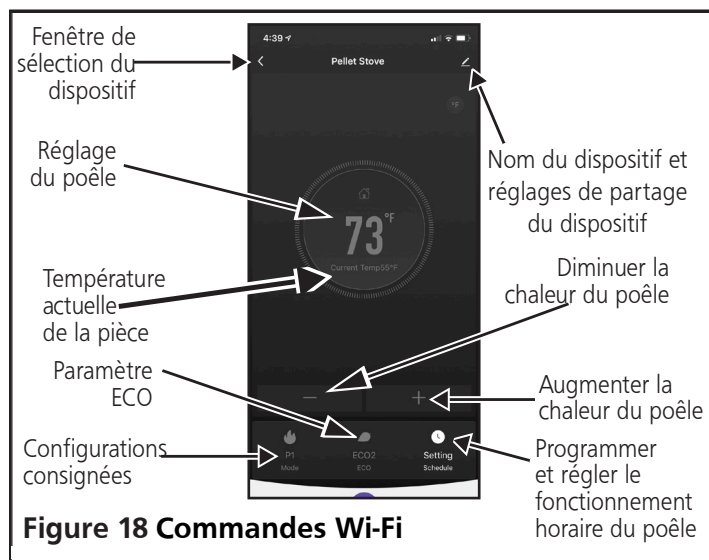
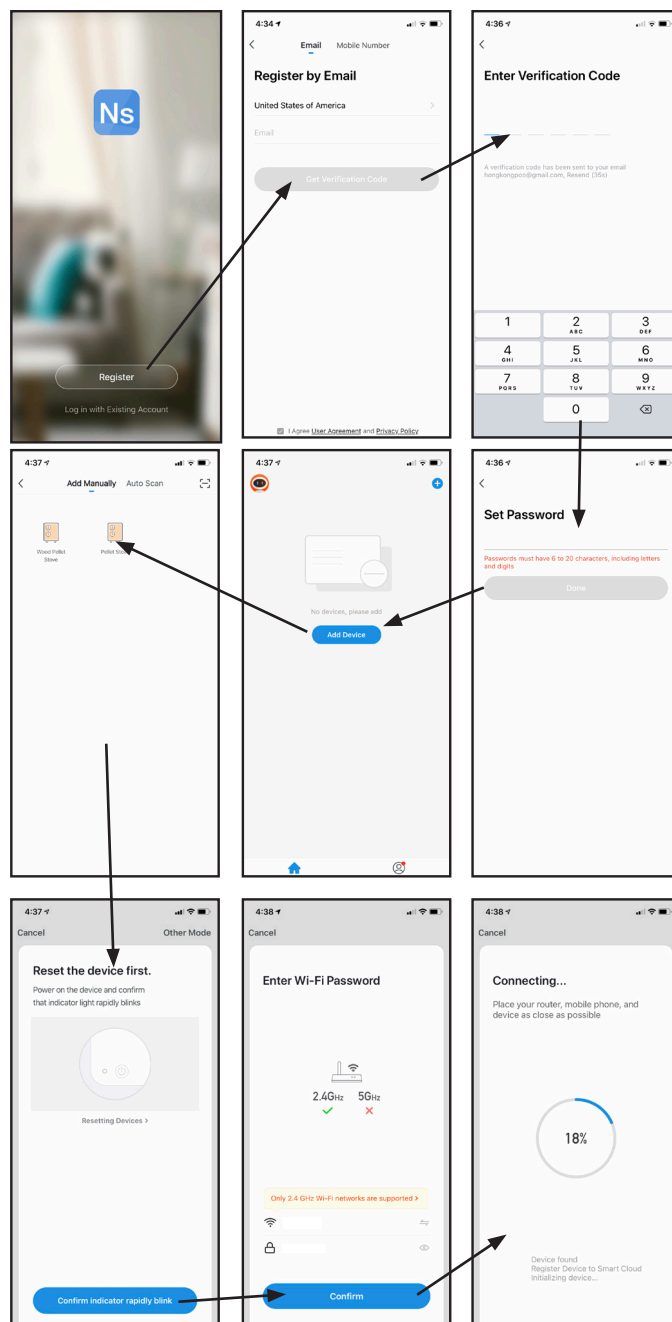
Étape 14. Ouvrez à nouveau l'application Smart Stove sur votre téléphone.

Étape 15. Vous pouvez maintenant sélectionner ce poêle à partir de la liste des dispositifs ajoutés pour programmer, commander et surveiller le fonctionnement du poêle.

COMMANDES WI-FI

Une fois connecté au poêle (voir l'étape 11 de Connexion Wi-Fi), vous pourrez ajuster et surveiller le fonctionnement du poêle à distance. Voir les explications ci-dessous :

- Nom du dispositif : Il est possible de changer le nom du poêle pour différencier l'appareil commandé en utilisant l'application « Smart Stove » (si vous avez plus d'un poêle).
- Partage du dispositif : il est possible de partager la connexion au poêle avec d'autres dispositifs par messagerie SMS ou par courriel. (suite page 18)



COMMANDES MULTI-FONCTIONS POUR H80XL, H140XL ET H3W80XL

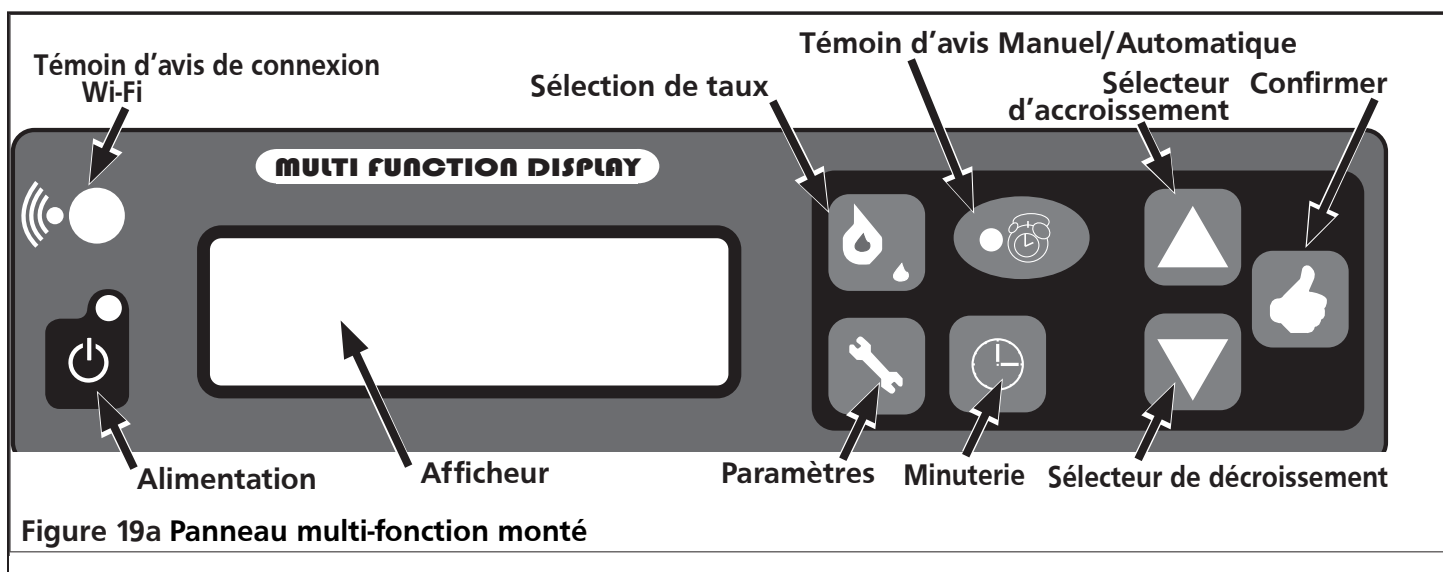


Figure 19a Panneau multi-fonction monté

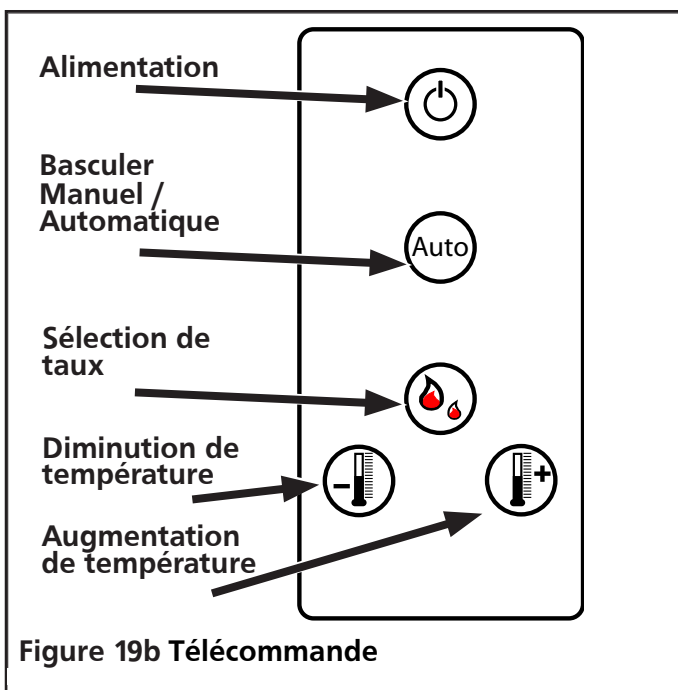


Figure 19b Télécommande

Fonctionnalité des boutons présents : Fonctionnement normal

	<ul style="list-style-type: none"> Le témoin s'allume lorsque le poêle est branché dans une prise électrique. Actionner le bouton d'alimentation pour allumer l'afficheur pour régler les paramètres. S'il n'y a pas d'interaction, l'afficheur s'éteindra après 10 secondes. Pour lancer l'allumage du poêle, actionner et maintenir le bouton d'alimentation durant 3 secondes. Pour lancer le cycle d'extinction, actionner et maintenir le bouton d'alimentation durant 3 secondes.
--	---

ATTENTION : Le fabricant a programmé les taux consignés pour garantir un fonctionnement convenable. Il est déconseillé de modifier ces consignes.

	<p>Actionner pour faire défiler les lectures de température (en Fahrenheit) (dans le coin supérieur droit de l'afficheur multi-fonction) :</p> <ul style="list-style-type: none"> ##(R) : Température de la pièce ##(S) : Température d'échappement ##(P) : Réglage du capteur de protection
	<p>Actionner pour augmenter la température à laquelle le poêle devra réchauffer la pièce. Cette valeur est affichée au coin supérieur droit de l'afficheur multi-fonction sous l'indicatif ##°F.</p>
	<p>Actionner pour diminuer la température à laquelle le poêle devra chauffer la pièce. Cette valeur est affichée au coin supérieur droit de l'afficheur multi-fonction sous l'indicatif ##°F.</p>
	<p>Actionner pour faire basculer entre la commande manuelle et la commande programmée. En mode de commande programmée, l'icône s'allumera.</p>
	<p>L'actionnement du sélecteur de taux fera défiler les quatre consignes de chauffage configurées. La consigne actuellement réglée est affichée en haut au centre de l'afficheur multi-fonction sous l'indicatif P#.</p> <ul style="list-style-type: none"> P1 [réglage de chauffage maximum] P2 [réglage de chauffage intermédiaire] P3 [réglage de chauffage bas] P4 [réglage de chauffage minimum]
	<ul style="list-style-type: none"> Actionner et maintenir le bouton de paramétrage durant 2 secondes pour accéder au menu de configuration. Pour quitter en tout temps le menu de configuration, actionner le bouton de paramétrage.

- Eco Mode : Il existe deux modes ECO pouvant être sélectionnés qui économiseront les granulés de bois tout en maintenant la température désirée. L'actionnement du bouton ECO permettra de basculer entre ces modes ou de les ignorer.
 - ECO 1 : Le poêle s'éteint lorsque la température désirée est atteinte. Il se rallumera à une température de la pièce pré-réglée en usine.
 - ECO 2 : Lorsque la température désirée est atteinte, le poêle passe en chauffage minimum (pré-réglage P4). Il se remettra à un réglage plus élevé lorsque la température de la pièce aura descendu à la température pré-réglée en usine.
- Configurations consignées : Quatre configurations peuvent être sélectionnées qui contrôlent la vitesse du ventilateur de combustion et du ventilateur de circulation d'air dans la pièce. L'actionnement du bouton Configurations consignées permettra de défiler entre les différentes configurations consignées ou d'ignorer les pré-réglages.
 - P1 [réglage de chauffage maximum]
 - P2 [réglage de chauffage intermédiaire]
 - P3 [réglage de chauffage bas]
 - P4 [réglage de chauffage minimum]

OPÉRATION MANUELLE DU POÊLE

AJUSTER LA VIS À GRANULES

(TAUX DE DISTRIBUTION DES GRANULES)

1. Utilisez le bouton Rate Select pour passer d'un réglage à l'autre, P1, P2, P3, P4. Les taux de distribution sont les suivants :

P1 : Taux de distribution [Maximum] des granulés

P2 : Taux de distribution [Moyen] des granulés

P3 : Taux de distribution [Bas] des granulés

P4 : Taux de distribution [Minimum] des granulés

Remarque : Si nécessaire, appuyez et maintenez enfoncé le bouton « Temps » pendant 2 à 5 secondes pour faire tourner la tarière.

AJUSTER LES VENTILATEURS

1. Tenez enfoncé le bouton Settings pendant 2 secondes.
2. Appuyez sur le bouton Confirm pour passer d'un réglage de taux de distribution des granulés à l'autre, tour à tour.
3. Ajustez le réglage « S » pour le ventilateur d'aération et le réglage « F » pour le ventilateur de soufflage en employant les boutons de sélection vers le haut et le bas.

4. Utilisez le bouton Time pour choisir le mode « S » ou « F ».
Remarque : Plus le réglage est bas, plus le ventilateur est lent. Ne changez les réglages que quelques chiffres à la fois.
5. Appuyez sur le bouton Settings pour revenir à l'écran d'accueil.

POUR CHANGER L'HEURE (HORLOGE 24 HEURES)

1. Tenez enfoncé le bouton Settings pendant 2 secondes.
2. Appuyez sur le bouton Confirm pour vous rendre à Modify Clock.
3. Utilisez le bouton Time pour passer des heures aux minutes.
4. Utilisez les boutons de sélection vers le haut et le bas pour changer l'heure actuelle.
5. Appuyez sur le bouton Settings pour revenir à l'accueil.

POUR FAIRE LE RÉGLAGE MARCHE/ARRÊT AUTOMATIQUE

1. Tenez enfoncé le bouton Settings pendant 2 secondes.
2. Parcourez les réglages avec le bouton Confirm jusqu'à ce que les jours de la semaine soient visibles.
3. Utilisez le bouton Time pour changer la journée.
4. Utilisez les boutons de sélection vers le haut et le bas pour indiquer quand le poêle doit être en marche ou éteint.

Remarque: La longue case signifie EN MARCHE, la case courte signifie ARRÊTÉ.

Remarque: Chaque case représente une heure de la journée sur une période de 24 heures. La première case est donc 0 h (minuit) et la dernière est 23 h (11 h du soir).

5. Appuyez sur le bouton Settings pour revenir à l'accueil.

CHANGER LES MODES ECO

1. Tenez enfoncé le bouton Settings jusqu'à ce que le poêle fasse entendre une tonalité.
2. Appuyez sur le bouton Confirm (sans le tenir enfoncé) sept fois de suite pour vous rendre à l'écran « Eco Mode ».
3. Appuyez sur le bouton Time pour circuler entre les différents modes Eco choisis.
4. Appuyez sur le bouton Settings pour revenir à l'écran d'accueil.







ECO 1 MODE

ECO 1: Le poêle s'arrête une fois que la température désirée est atteinte. Le poêle se remet en marche une fois que la pièce refroidit à la température réglée en usine.

ECO 2 MODE

ECO 2: Le poêle passe au réglage de puissance minimum P4 lorsque la température désirée est atteinte. Le poêle passe à un réglage de puissance plus élevé une fois que la pièce refroidit à la température réglée en usine.

TOUCHE DE COMMANDE

	CONFIRMATION (« CONFIRM »)
	BOUTON DE SÉLECTION VERS LE HAUT
	BOUTON DE SÉLECTION VERS LE BAS
	HEURE (« TIME »)
	RÉGLAGES (« SETTINGS »)
	SÉLECTION DU TAUX (« RATE SELECT »)

ENTRETIEN

Pour un bon rendement de fonctionnement ce poêle à granulés de bois nécessite un entretien périodique. Toute opération ne respectant pas les directives du présent Guide du propriétaire contrevient à la réglementation fédérale.

⚠ ATTENTION : ÉTEINDRE ET DÉBRANCHER LE POÊLE DE LA PRISE DE COURANT AVANT TOUT ENTRETIEN.

⚠ ATTENTION : LAISSER LE POÊLE SE REFROIDIR AVANT D'EFFECTUER TOUT ENTRETIEN.

⚠ ATTENTION : DURANT TOUT DÉMONTAGE OU REMONTAGE, PRENDRE GARDE DE NE PAS ÉCHAPPER QUOI QUE CE SOIT (VIS ETC.) DANS LA TRÉMIE. LES DÉBRIS PEUVENT BLOQUER LA TARIÈRE ET ENDOMMAGER LE POÊLE.

La fréquence à laquelle votre poêle nécessitera un nettoyage et un entretien dépendra de la qualité des granulés utilisés. Leur haut taux d'humidité ou l'utilisation de fragments poussiéreux ou comprenant des cendres pourrait faire

doubler le besoin d'entretien du poêle. Utilisez seulement les granulés de bois approuvés.

À chaque jour, nettoyez le pot de combustion et le cabaret de récupération alors que le poêle est refroidi, qu'il est débranché et qu'il ne s'y trouve pas de braises chaudes. À l'aide d'un aspirateur, nettoyez le pot de combustion de ses cendres et débris et puis soulevez le pot pour nettoyer le cabaret sous-jacent. Il est important que les ouvertures d'aération du pot ne soient pas obstruées de cendres ou de débris.

Un calendrier de nettoyage général serait comme suit :

- Pot de combustion : Après 10 sacs de granulés de bois, ou de façon quotidienne. Selon la première éventualité.
- Tiroir de cendre : Après 50 sacs de granulés de bois
- Canalisations internes : Après 100 sacs de granulés de bois
- Ventilateur : Après 100 sacs de granulés de bois

IMPORTANT: Il faut aussi s'assurer de vous référer au supplément concernant l'horaire de nettoyage, à la fin de cette section.

NETTOYAGE : POT DE COMBUSTION ET CABARET

⚠ ATTENTION : SI LE POÊLE EST POUR SERVICE CONTINU, IL DEVRA ÊTRE ÉTEINT AUX INTERVALLES DE 24 HEURES POUR NETTOYER LE POT DE COMBUSTION ET LE CABARET. LAISSER TOUJOURS LE POÊLE REFROIDIR ET LES BRAISES S'ÉTEINDRE AVANT LE NETTOYAGE.

Assurez-vous de replacer le pot de combustion dans la bonne orientation de sorte que les granulés puissent être alimentés et allumés sans problème.

NETTOYAGE : VITRE

⚠ AVERTISSEMENT : NE PAS NETTOYER LA VITRE LORSQUE CHAUDE.

Bien que la circulation d'air sur la porte vitrée réduit l'accumulation de cendre acide sur la vitre, son nettoyage sera quand-même requis périodiquement. Le nettoyage est nécessaire pour prévenir l'affaiblissement du verre, ce qui pourrait augmenter son risque de fendillement. Il n'est pas acceptable de faire fonctionner un poêle avec une vitre fendillée ou brisée.

Le meilleur moyen de nettoyer la porte vitrée est d'utiliser un linge humide enduit de cendres refroidies. Pour la saleté incrustée consultez votre quincailler ou un expert d'entretien de poêles pour des conseils de produits nettoyants.

⚠ AVERTISSEMENT : NE PAS NETTOYER LA VITRE AVEC UN PRODUIT ABRASIF OU TOUT AUTRE MOYEN QUI POURRAIT ÉGRATIGNER OU ENDOMMAGER LE VERRE.

NETTOYAGE : CANALISATIONS D'ENTRÉE ET DE SORTIE

Les canalisations d'entrée et de sortie devraient être nettoyées au moins une fois par année. La consommation de granulés produisant un taux élevé de cendres pourrait nécessiter un nettoyage plus fréquent des canalisations.

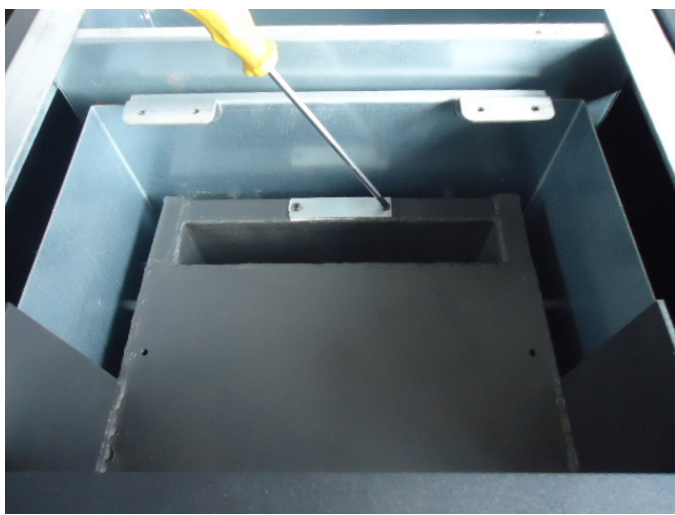


Figure 20 Canalisation de sortie

Un panneau d'accès se trouve de chaque côté du poêle qui peut être déposés en dévissant ses vis de fixation. Voir les figures 21, 24 et 25. Éteindre le poêle, le laisser se refroidir et le débrancher avant tout démontage et nettoyage.

Utiliser une brosse dans les ouvertures pour dégager toute accumulation de cendre et nettoyer à l'aide d'un aspirateur. Remettre les panneaux en place et les fixer solidement avec leurs vis à tête Allen.

Deux autres ouvertures des canalisations d'entrée et de sortie sont accessibles en déposant le tiroir de cendre. Desserrer les deux vis de 5/32 po à tête Allen montrées à la Figure 20. Faire pivoter les couvercles pour exposer l'ouverture. À l'aide d'une brosse, dégager toute accumulation de cendre. Utiliser une brosse dans les ouvertures pour dégager toute accumulation de cendre et nettoyer à l'aide d'un aspirateur. Replacer les couvercles devant les ouvertures et les fixer solidement avec leurs vis à tête Allen.

NETTOYAGE : VENTILATEUR DE CONVECTION

En vous tenant devant le poêle, vous trouverez le moteur du ventilateur faisant circuler l'air autour du pot et le dirigeant dans la pièce, sur le côté droit. Pour y accéder, ouvrir et déposer le panneau latéral. Nettoyez le ventilateur de convection au besoin alors que le poêle est refroidi, qu'il est débranché et qu'il ne s'y trouve pas de braises chaudes. Lors de l'opération de nettoyage, prenez garde de ne pas endommager les pales du ventilateur. A l'aide d'un aspirateur, nettoyer toute accumulation de poussière sur les pales du ventilateur et à l'intérieur de la canalisation.

NETTOYAGE : TUYAU DE SORTIE D'ÉCHAPPEMENT

Inspecter le système d'aération de sortie au moins une fois par année et déterminez si un nettoyage est requis. Des cendres, de la suie et de la créosote peuvent se produire durant le démarrage, l'extinction et le mauvais fonctionnement. Pour nettoyer le système d'aération, insérez une brosse de nettoyage de dimension appropriée dans le



H140XL



H80XL, H3W80XL

Figure 21 Démontage du ventilateur de convection

tuyau pour dégager et retirer toute cendre ou accumulation de débris. L'accumulation de débris et les cendres peuvent restreindre le débit de gaz qui affectera la performance du poêle, et ne pas retirer la créosote pourrait résulter en un dangereux feu de cheminée.

CENDRES VOLANTES - FORMATION ET BESOIN DE RETIRER

Les produits de combustion comprendront de petites particules de cendres volantes. Les cendres volantes s'accumuleront dans le système d'échappement et restreindront l'évacuation des gaz de sortie. La combustion incomplète qui se produit durant le démarrage, l'extinction ou lors de mauvais fonctionnement du poêle conduira à la formation de suie qui s'accumulera dans le système d'échappement des gaz. Le système d'aération de sortie devra être inspecté au moins une fois par année pour déterminer si un nettoyage est requis. Pour dégager les accumulations de la canalisation, utilisez une brosse de cheminée de taille appropriée.

CRÉOSOTE - FORMATION ET BESOIN DE RETIRER

Ne pas retirer la créosote pourrait résulter en un dangereux feu de cheminée.

Lorsque les grenailles de bois sont consommées à basse température elles produisent des émanations organiques qui, combinées à l'humidité dégagée produit de la créosote. Les émanations de créosote se condensent dans les gaz relativement frais de la cheminée devenant un combustible potentiel d'allumage et elles s'accumulent sur la paroi de la cheminée. Si allumée, la créosote dégage une chaleur extrême. Le tuyau de raccordement à la cheminée devrait être inspecté au moins à tous les deux mois durant la saison d'utilisation pour déterminer si une accumulation de créosote s'est produite. Si l'accumulation atteint 3 mm (1/8 po) elle devra être retirée pour éliminer le danger de feu de

cheminée. Pour dégager les accumulations du tuyau, utilisez une brosse de cheminée de taille appropriée.

Sachez que sous chauffage modéré en début et fin de saison une plus grande formation de crésote sera probable et un nettoyage hebdomadaire pourrait être requis alors qu'en chauffage plus élevé durant l'hiver un nettoyage mensuel pourrait suffire. Pour apprendre comment traiter un feu de cheminée, communiquez avec les autorités ou le service d'incendie de votre localité. En tant que préparation, ayez un plan de réaction précis pour éteindre les feux de cheminée.

REPLACEMENTS : VITRE

Tout bris de vitre ne devra être adressée que par le remplacement de la porte complète fournie par le fabricant. Voir pages 32 à through 34.

⚠ Avertissement : L'UTILISATION DE MATÉRIAU SUBSTITUT POURRAIT BRISER LA VITRE ET CAUSER DES BLESSURES.

REPLACEMENTS : JOINTS D'ÉTANCHÉITÉ

Au fil du temps, les joints d'étanchéité autour de la vitre, de la porte et du tiroir de cendre pourraient perdre de leur rigidité. Ces joints sont essentiels pour sceller le système permettant un fonctionnement sécuritaire. Inspectez les joints régulièrement et s'ils deviennent usés, communiquez avec le fabricant pour connaître le numéro de pièce requis pour votre unité.

Pour remplacer le joint d'étanchéité :

1. S'assurer que toutes les grenailles sont éteintes et que le poêle est froid.
2. Retirer le joint usé et nettoyer le sillon d'insertion.
3. Appliquer un mince film de ciment à joint d'étanchéité résistant aux températures élevées à l'intérieur du sillon.
4. Presser l'extrémité du joint d'étanchéité de remplacement dans le sillon préparé à partir du point gauche le plus élevé.
5. Continuer à presser le joint dans le sillon en sens horaire tout autour de la porte pour revenir faire contact au point de départ.
6. Couper l'excédent et bien presser les extrémités ensemble dans le sillon.

Fermer, la porte, tiroir ou tiroir de cendre et laisser le ciment durcir durant 3 à 4 heures avant d'allumer le poêle.

REPLACEMENTS : ALLUMEUR À SURFACE CHAUDE

S'assurer que le poêle est refroidi. À l'arrière à l'intérieur du poêle, dévisser les vis de fixation de l'allumeur. Sortir l'allumeur et le remplacer par le nouveau. Voir les figures 22 et 24.

Master Forge Poêle à grenailles de bois

REMARQUE: SELON LE MODÈLE DE POÊLE, IL PEUT ÊTRE NÉCESSAIRE D'ENLEVER LE MOTEUR DE LA VIS SANS FIN POUR FAIRE GLISSER L'ALLUMEUR HORS DE SON LOGEMENT.

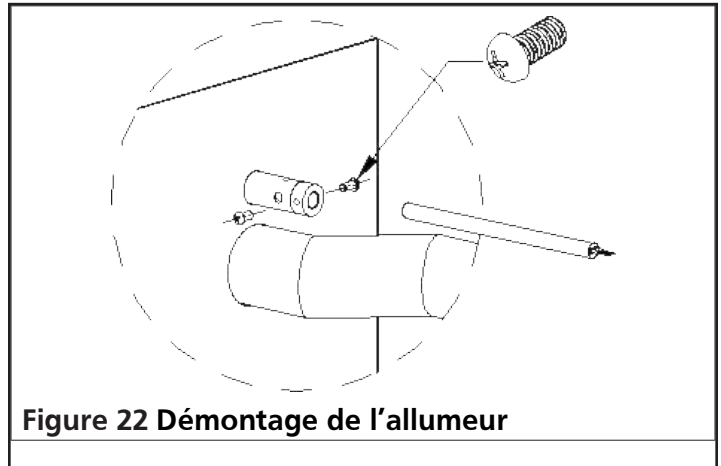


Figure 22 Démontage de l'allumeur

REPLACEMENTS : SYSTÈME DE TARIÈRE

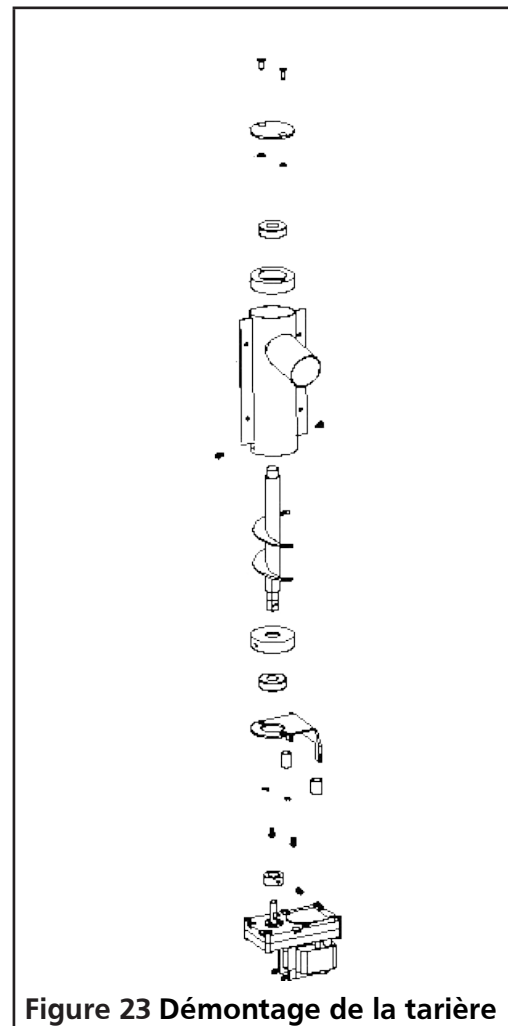


Figure 23 Démontage de la tarière

S'assurer que le poêle est refroidi. À partir de l'arrière à l'intérieur du poêle, la tarière peut être démontée en pièces détachées selon la séquence des pièces montrée à la Figure 23.

RETRAIT DES PANNEAUX ARRIÈRE ET LATÉRAUX

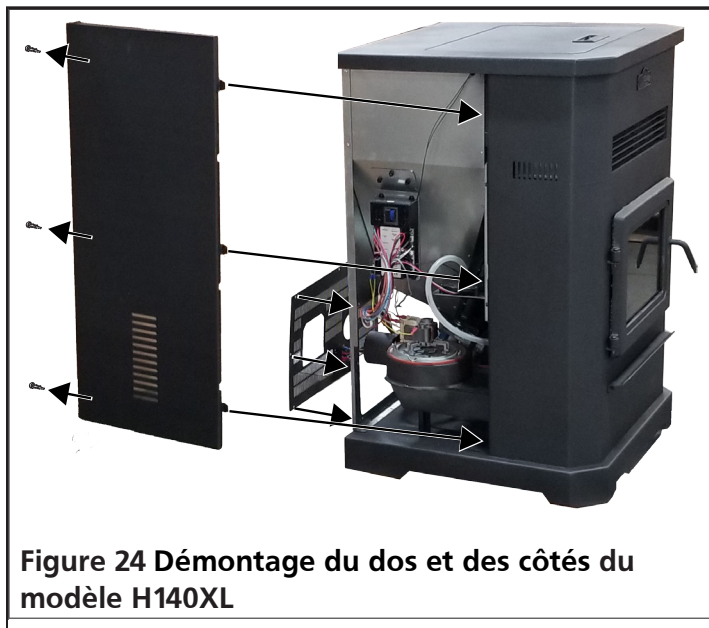


Figure 24 Démontage du dos et des côtés du modèle H140XL

- Pour retirer les panneaux latéraux du modèle H140XL, retirer les vis de fixation à l'arrière de l'unité et faire glisser le panneau vers l'arrière.
- Pour retirer la plaque arrière du modèle H140XL, retirer les huit vis de fixation à l'arrière de l'unité.
- Pour retirer les panneaux latéraux du modèle H80XL, retirer les vis de fixation à l'arrière de l'unité et retirer directement le panneau.
- Pour ouvrir le côté du modèle H3W80XL, faire simplement pivoter le panneau latéral hors de ses aimants de retenue.

REPLACEMENTS : VENTILATEUR D'ÉCHANGEUR D'AIR CHAUD

Débrancher le poêle. Déconnecter tout câblage raccordé au ventilateur d'air chaud. Retirer les vis de fixation de la plaque de montage. Retirer lentement le ventilateur et le remplacer par le nouveau. Fixer la plaque à l'aide des vis et reconnecter les fils.

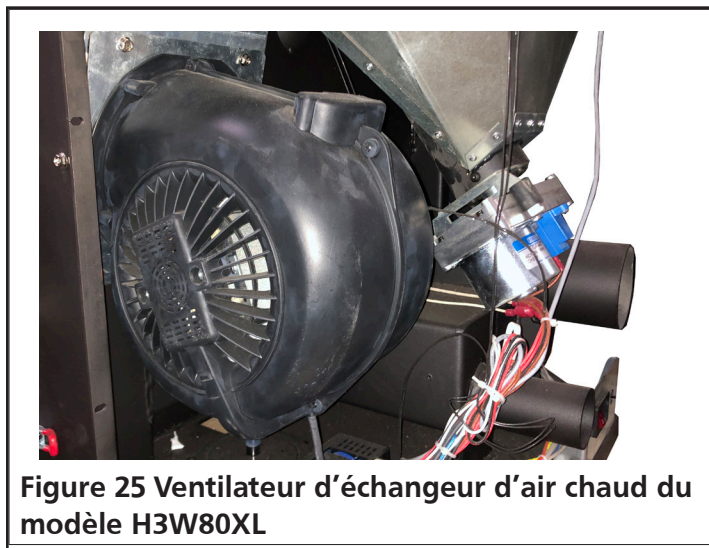


Figure 25 Ventilateur d'échangeur d'air chaud du modèle H3W80XL

REPLACEMENTS : VENTILATEUR D'ÉCHAPPEMENT

Débrancher le poêle. Déconnecter tout câblage raccordé au ventilateur d'échappement. Retirer les écrous à oreilles maintenant la plaque de l'ensemble sans son logement. Retirer lentement le ventilateur et le remplacer par le nouveau. Fixer avec les écrous à oreilles et reconnecter les fils.

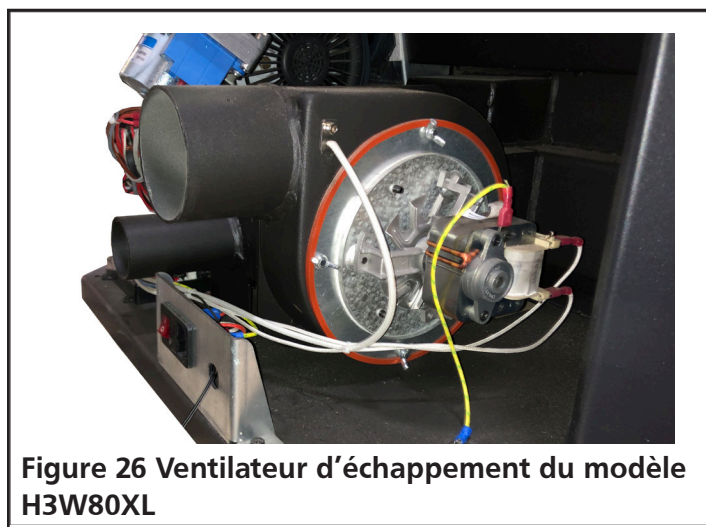


Figure 26 Ventilateur d'échappement du modèle H3W80XL

COMPOSANTS DE SÉCURITÉ

1. Pressostat de vide : Un pressostat de vide est fixé derrière le bas de la porte gauche. Si une basse pression est créée par une fuite, l'ouverture de la porte du pot de combustion, une cheminée obstruée ou un tiroir de cendre non scellé, le pressostat éteindra le poêle comme mesure de précaution. Le code d'erreur E5 s'affichera à l'écran.
2. Thermostat de limite de température : Une protection de température élevée est placée sous le fond de la trémie. Si ce capteur est exposé à une température dépassant 85° C (185° F), le poêle sera éteint.
3. Thermostat de température élevée dans le tuyau d'échappement : Une protection de température élevée est placée sur le tuyau d'échappement. Si ce capteur est exposé à une température dépassant 40° C (104° F), le ventilateur de circulation d'air sera mis en marche.
4. Thermostat de basse température dans le tuyau d'échappement : Si le poêle se refroidit en bas de la consigne de température minimum, il s'éteindra. Ceci pourrait se produire si le poêle ne se réchauffe pas assez rapidement après l'allumage.
5. Fusible : Un élément fusible à l'arrière du dispositif protège contre les défauts et les risques d'électrocution. Voir Figure 27.

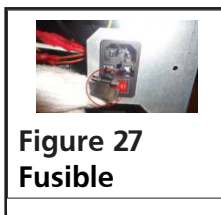


Figure 27
Fusible

HORAIRE DE NETTOYAGE DU POÊLE À GRANULES

Étape 1 :

Éteindre le poêle, et le laisser refroidir complètement.

Étape 2 :

Empoigner votre aspirateur à cendres pour enlever les cendres et les débris du pot à feu et dans la région environnante, ainsi que toutes les piles de cendres ou de débris que vous voyez.

Étape 3 :

Soulever et retirer le pot à feu – s’assurer que cette région soit libre de débris. Passer l’aspirateur sous le pot à feu, en prenant grand soin de passer l’aspirateur dans la voie d’aéragé sous le pot à feu.

Étape 4 :

Empoigner votre outil de nettoyage et le déplacer vers le pot à feu. Gratter pour éliminer tout débris hors du pot à feu, en s’assurant que tous les trous dans le pot à feu sont libérés de toute accumulation.

Étape 5 :

Essuyer la vitre. Ne jamais nettoyer la vitre avec de l’eau froide ou un nettoyeur alors que la vitre est encore chaude, puisque cela peut causer le craquelage du verre. La méthode que nous recommandons nécessite un chiffon ou une serviette de papier humide. L’appliquer sur les cendres froides, puis essuyer la vitre en commençant par le haut.

Étape 6 :

Certains modèles ont un tiroir pour les cendres. C’est alors une bonne idée de le vider à chaque fois que vous nettoyez votre poêle. Il est possible d’utiliser un aspirateur à cendres pour éliminer les cendres du tiroir.

Étape 7 :

Les modèles mini offrent des tiges de nettoyage. Vos tiges de nettoyage doivent être utilisées quotidiennement après que le poêle ait refroidi. Elles effectuent le nettoyage à l’intérieur de l’évacuation, là où les cendres et les débris peuvent s’accumuler. Si une accumulation excessive survient, votre poêle n’aura plus la bonne quantité d’air de combustion.

NETTOYAGE HEBDOMADAIRE

Étape 1 :

Nous recommandons de laisser le poêle manquer de granules; de sorte que la réserve soit vide. Passer l’aspirateur sur la réserve. Éliminer toute la poussière de la réserve, et inspecter votre réserve.

Étape 2

Les modèles de taille moyenne et grande comportent des plaques de conduit. Retirer la plaque de conduit centrale, en la glissant vers le haut. Après avoir glissé la plaque de conduit centrale et l’avoir sortie, il est possible de retirer les plaques de gauche et de droite. Passer l’aspirateur et brosser les plaques de conduit, gratter toute vitrification et accumulation. Vérifier les parois derrière les plaques de conduit pour détecter la présence de débris. S’assurer aussi de passer l’aspirateur derrière les plaques de conduit.

Étape 3 :

Le cas échéant, retirer le tiroir des cendres, et passer l’aspirateur sur le tiroir. Puis, brosser et gratter toutes les crasses et les accumulations. S’assurer que la région sous le tiroir soit elle aussi propre.

Étape 4 :

Inspecter la chute de la vis sans fin. S’il y a une accumulation de créosote ou de poussière de granule, nettoyer la chute avec une brosse à poils d’acier.

À TOUTES LES DEUX SEMAINES

Il faut vous rendre à l’extérieur, et inspecter visuellement le chapeau de terminaison sur l’évacuation. S’assurer qu’aucun animal tente de faire son nid, et vérifier la présence de toute accumulation de cendres sur la grille.

AU MOINS UNE FOIS PAR MOIS

Étape 1 :

Utiliser une brosse de nettoyage pour dégager les entrées d'air, localisées sous le pot à feu, qui vont vers l'arrière du poêle; le placement et la taille exactes peuvent varier d'un modèle à l'autre.

Étape 2 :

Pour les modèles de taille moyenne et grande avec des plaques de conduit, le port d'évacuation se trouve derrière une plaque de conduit, à gauche du pot à feu. S'assurer de bien nettoyer avec une brosse à poils d'acier, et d'y passer l'aspirateur.

Étape 3 :

Utiliser une brosse de nettoyage pour dégager les ports d'évacuation d'air dans votre chambre de combustion. Le nombre de ports d'évacuation varie d'un modèle à l'autre.

Pour les modèles mini : Ils comportent quatre ports d'évacuation en haut de la chambre de combustion.

Pour les modèles avec hublot à l'avant : Ils comportent deux ports d'évacuation en haut de la chambre de combustion. Il faut vérifier qu'ils soient dégagés pour assurer une circulation optimale de l'air dans la chambre de combustion.

À TOUTES LES DEUX (2) TONNES DE GRANULES, OU À TOUTS LES DEUX MOIS

Inspecter le tee de nettoyage. Retirer toutes les cendres accumulées et resceller la connexion, au besoin.

ANNUELLEMENT

- Il est important de retirer le ventilateur de combustion; utiliser une brosse à poils d'acier sur la créosote, et passer l'aspirateur sur les débris. Cela est important pour la région au-dessous du ventilateur et sur le ventilateur même. Lors du retrait du ventilateur de combustion, si le joint d'étanchéité est usé, vous pouvez retirer le joint d'étanchéité et utiliser de la silicone rouge RTV pour la haute température pour créer un nouveau joint d'étanchéité pour le ventilateur.
- Vous pourriez devoir retirer le conduit de l'arrière du poêle, et utiliser une brosse à poils d'acier pour y passer aussi l'aspirateur pour le nettoyage.
- Il pourrait s'avérer nécessaire de recourir aux services d'un ramoneur de cheminée pour nettoyer votre système d'évacuation de manière régulière. Il faut porter une attention particulière sur les coudes, puisqu'ils peuvent accumuler de la créosote encore plus que les conduits droits.
- C'est aussi une bonne idée de nettoyer votre conduit d'entrée d'air annuellement.


Pour les modèles mini : Il est localisé derrière le panneau de droite. Il y a un couvercle d'entrée d'air qui doit être retiré, et la voie d'aéragage doit être nettoyée. Si les joints d'étanchéité sont endommagés ou usés, il est possible d'en fabriquer de nouveaux avec de la silicone rouge RTV pour la haute température.

Pour les modèles avec hublot à l'avant : Les voies d'aéragage comportent une ouverture derrière le tiroir des cendres. Le tiroir des cendres devra être retiré complètement, et les couvercles peuvent être retirés avec une clé Allen de 3 mm. Une brosse à poils d'acier et un aspirateur à cendres peuvent aussi être utilisés pour nettoyer les voies d'aéragage.

CODES D'ERREUR

REMARQUE :DANS L'ÉVENTUALITÉ D'UNE PANNE DE COURANT (CODE D'ERREUR E7), UNE FAIBLE QUANTITÉ DE FUMÉE POURRAIT ÊTRE DÉGAGÉE. CECI DURERA DE TROIS À CINQ MINUTES ET NE REPRÉSENTE PAS UN DANGER.

⚠ ATTENTION : S'IL S'EST PRODUIT UNE SURCHAUFFE (CODES D'ERREUR E5 ET E6), ALORS UNE INSPECTION, ENTRETIEN ET/OU UN NETTOYAGE DEVRA ÊTRE EFFECTUÉ AVANT QUE LE POÊLE PUISSE ÊTRE UTILISÉ DE FAÇON SÉCURITAIRE DE NOUVEAU.

Après avoir suivi les étapes de solution suggérées, actionner le bouton de confirmation  pour supprimer le code d'erreur de l'afficheur multi-fonction. Et puis effectuer la procédure de fonctionnement de la page 13 pour rallumer le poêle.

CODE D'ERREUR	CAUSE	SOLUTION
E1	La température d'échappement est en dessous de 4,44 à 7,22 C (40 à 45 C). Le fonctionnement a été interrompu et le chauffage arrêté.	<ol style="list-style-type: none"> 1. Vérifier la présence de grenailles dans la trémie. 2. Vérifier le fonctionnement du moteur de la tarière et que celle-ci alimente bien le pot de combustion.
E2	Échec d'allumage des grenailles dans le pot de combustion.	<ol style="list-style-type: none"> 1. S'assurer que le pot de combustion ne comporte pas de fragments de différentes tailles formés par des débris exposés à la chaleur élevée (plus commun lors d'utilisation de grenailles de moindre qualité). 2. S'assurer que le pot de combustion soit bien assis dans son support et qu'il n'y a pas d'obstruction devant l'allumeur. 3. S'assurer que le capteur de température de gaz d'échappement, adjacent au ventilateur de combustion, est en bon état et n'a pas subi de dommage. 4. S'assurer que l'allumeur n'est pas brisé.
E5	Basse pression détectée par le pressostat de vide (se référer à la vue éclatée).	<ol style="list-style-type: none"> 1. S'assurer que la porte et le tiroir de cendre (le cas échéant) sont bien fermés. 2. S'assurer que la canalisation d'échappement n'est pas obstruée ou qu'elle n'a pas de fuite. 3. S'assurer que le ventilateur de combustion est fonctionnel.
E6	Signal du capteur de température élevée (situé sous la trémie).	<ol style="list-style-type: none"> 1. S'assurer que le capteur n'est pas défectueux. 2. La température au niveau du capteur est trop élevée. Le poêle ne fonctionne pas correctement. Appelez le service à la clientèle.
E7	Panne de courant.	Actionner le bouton de Confirmation pour supprimer le code d'erreur. Rallumer le poêle. Vous pouvez décider de sauter par-dessus les cycles précédents et de passer directement au cycle de stabilisation, en actionnant et maintenant le bouton de sélection de taux durant 3 secondes.
ESC1	Capteur de température n° 1 court-circuité (échappement)	<ol style="list-style-type: none"> 1. Vérifier les fils et les points de raccordement. 2. Contactez le support technique pour obtenir de l'aide.
ESO1	Capteur de température n° 1 en circuit ouvert	<ol style="list-style-type: none"> 1. Vérifier les fils et les points de raccordement. 2. Contactez le support technique pour obtenir de l'aide.
ESC2	Capteur n° 2 court-circuité, de température de trémie	<ol style="list-style-type: none"> 1. Vérifier les fils et les points de raccordement. 2. Contactez le support technique pour obtenir de l'aide.
ESO2	Capteur de température n° 2 en circuit ouvert	<ol style="list-style-type: none"> 1. Vérifier les fils et les points de raccordement. 2. Contactez le support technique pour obtenir de l'aide.

CODES D'ERREUR (SUITE)

ESC3	Capteur de température de pièce n° 3 court-circuité	<ol style="list-style-type: none"> 1. Vérifier les fils et les points de raccordement. 2. Contactez le support technique pour obtenir de l'aide.
ESO3	Capteur de température n° 3 en circuit ouvert	<ol style="list-style-type: none"> 1. Vérifier les fils et les points de raccordement. 2. Contactez le support technique pour obtenir de l'aide.

DÉPANNAGE

SYMPTÔME	CAUSE	SOLUTION
Le poêle ne s'allume pas.	Le commutateur d'alimentation n'est pas fermé.	Actionner le commutateur d'alimentation.
	Le cordon d'alimentation est débranché.	<ol style="list-style-type: none"> 1. Insérer à fond le cordon d'alimentation dans le poêle 2. S'assurer que la prise murale fournit une tension de 120 V.
	Le fusible est grillé.	Remplacer le fusible.
Le ventilateur ne tourne pas durant les cycles de nettoyage, d'alimentation et d'allumage.	Ceci est normal.	Ceci n'est pas un problème, le ventilateur ne se met en marche qu'au cycle de stabilisation.
Le ventilateur ne se met pas en marche durant le cycle de stabilisation.	Le poêle/panneau de commande n'est pas sous tension.	Vérifier l'alimentation et les câbles.
	Carte mère débranchée.	S'assurer que les connecteurs de la carte sont complètement insérés.
	Le capteur de basse température est défectueux.	Remplacer le capteur.
La tarière n'alimente pas le pot de combustion durant les cycles incluant le cycle d'allumage.	La trémie est vide.	Ajouter des grenailles dans la trémie.
	La tarière est coincée, obstruée ou déconnectée.	<ol style="list-style-type: none"> 1. Débrancher l'unité de sorte qu'il ne se produise pas de démarrage inattendu et dégager le blocage de la tarière. 2. Vérifier que la tarière ne soit pas bloquée. Si c'est le cas, dégager le produit causant le coincement. 3. S'assurer que la vis de fixation de la tarière au moteur est bien serrée.

DÉPANNAGE (SUITE)

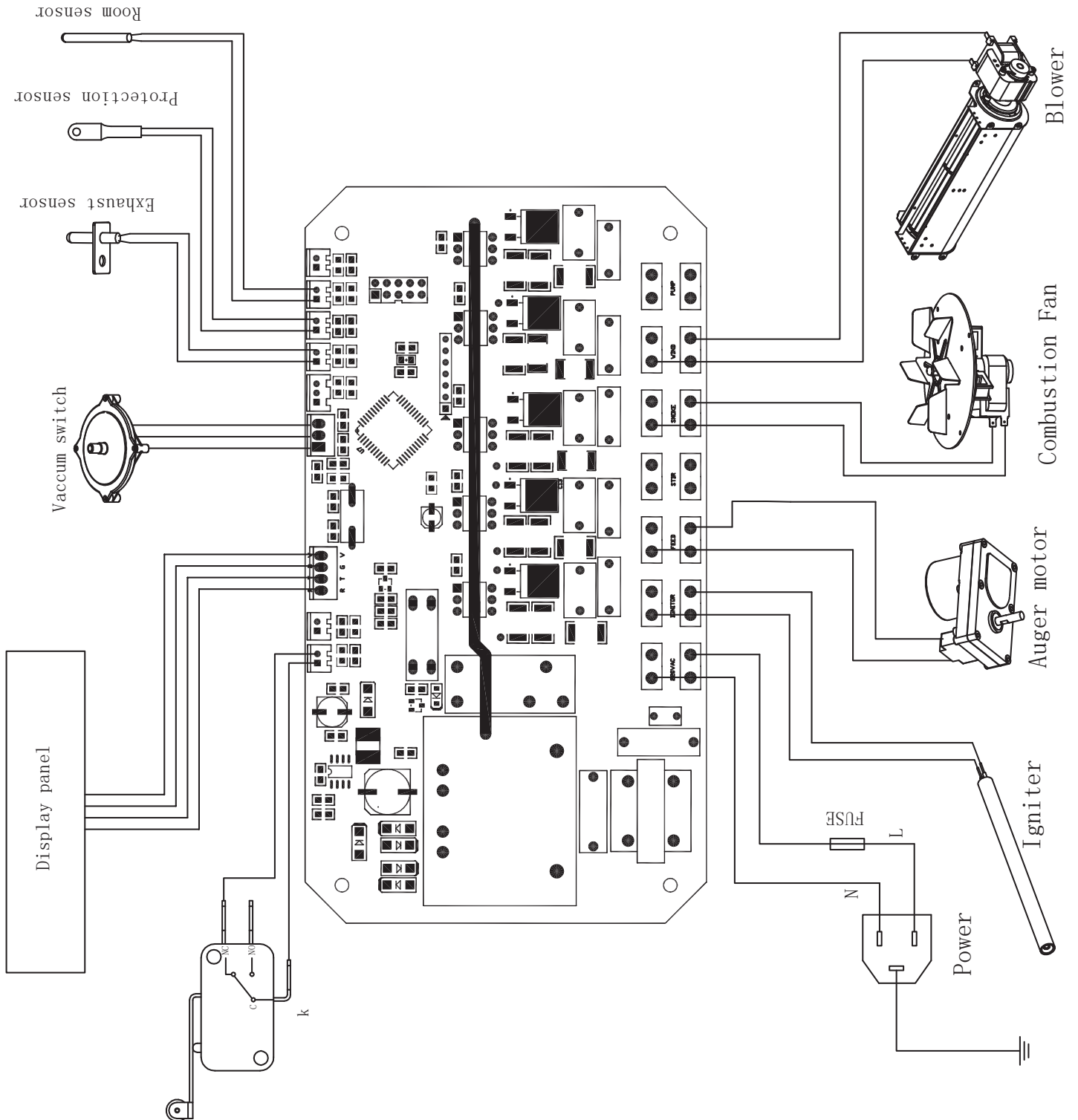
SYMPTÔME	CAUSE	SOLUTION
Trop de grenailles dans le pot de combustion. Les grenailles ne se consomment pas toutes entièrement.	La vitesse d'alimentation est plus grande que la capacité de combustion.	1. Augmenter la vitesse du ventilateur pour augmenter le taux de combustion.
Pas assez de grenailles dans le pot de combustion.	La vitesse d'alimentation n'est pas suffisante pour soutenir ce taux de combustion.	1. Diminuer la vitesse du ventilateur pour diminuer le taux de combustion. 2. Augmenter la vitesse d'alimentation.
Le poêle s'éteint 15 minutes après avoir été allumé.	La trémie est à un bas niveau.	Vérifier la présence de suffisamment de grenailles dans la trémie.
	La tarière ne fonctionne pas.	1. Débrancher l'unité de sorte qu'il ne se produise pas de démarrage inattendu et dégager le blocage de la tarière. 2. Vérifier que la tarière ne soit pas bloquée. Si c'est le cas, dégager le produit causant le coincement. 3. S'assurer que la vis de fixation de la tarière au moteur est bien serrée.
	Le thermostat de température de 30 °C s'est déclenché.	1. S'assurer que les fils du thermostat sont bien connectés. 2. Remplacer le thermostat de 30 °C.
	Le pressostat à l'intérieur du poêle est défectueux.	Remplacer le pressostat.
Flamme orange, grenailles s'empilent dans le pot de combustion, dépôts de carbone sur la vitre.	Insuffisance d'air pour une combustion adéquate.	1. S'assurer que la bouche d'entrée d'air sur le devant est ouverte. 2. S'assurer que les joints d'étanchéité de la fenêtre et de la porte sont en bon état. 3. Vérifier que les canalisations d'entrée et de sortie d'air ne sont pas bloquées. 4. Augmenter la superficie d'ouverture des canalisations. 5. Augmenter la vitesse du ventilateur pour augmenter le taux de combustion. 6. Veuillez communiquer avec le fabricant pour assistance.

DÉPANNAGE (SUITE)

SYMPTÔME	CAUSE	SOLUTION
La combustion s'arrête et le poêle interrompt son fonctionnement.	La trémie est vide.	Ajouter des grenailles dans la trémie.
	La tarière est coincée, obstruée ou déconnectée.	<ol style="list-style-type: none"> Débrancher l'unité de sorte qu'il ne se produise pas de démarrage inattendu et dégager le blocage de la tarière. Vérifier que la tarière ne soit pas bloquée. Si c'est le cas, dégager le produit causant le coincement. S'assurer que la vis de fixation de la tarière au moteur est bien serrée.
	La vitesse d'alimentation n'est pas suffisante pour soutenir ce taux de combustion.	<ol style="list-style-type: none"> Diminuer la vitesse du ventilateur pour diminuer le taux de combustion.
	Le thermostat de température de 30 °C s'est déclenché.	<ol style="list-style-type: none"> S'assurer que les fils du thermostat sont bien connectés. Remplacer le thermostat de 30 °C.
La combustion s'arrête et le poêle interrompt son fonctionnement (suite).	La température réglée a été atteinte.	Ceci est le fonctionnement normal du mode ECO. Le poêle se remettra automatiquement en fonction lorsque la température de la pièce descendra en-dessous de la demande programmée.
Le ventilateur de circulation d'air demeure en fonction après que le poêle a cessé de chauffer et se soit refroidi.	Le thermostat de température de 30 °C s'est déclenché.	<ol style="list-style-type: none"> S'assurer que les fils du thermostat sont bien connectés. Remplacer le thermostat de 30 °C.
Le poêle fournit un volume trop faible d'air insuffisamment chauffé.	Le combustible est inadéquat.	Utiliser des grenailles spécifiées dans le présent manuel.
	La vitesse du ventilateur de circulation d'air chaud est à un réglage trop bas ou le fonctionnement du ventilateur est compromis.	<ol style="list-style-type: none"> Si le ventilateur est défectueux, remplacer le ventilateur. Si la carte de commande du ventilateur est défectueuse, remplacer la carte.
	Les tubes de l'échangeur de chaleur sont sales.	Nettoyer les tubes de l'échangeur de chaleur.

SCHÉMA DE CÂBLAGE

REMARQUE : SI DES FILS QUELCONQUES DOIVENT ÊTRE REMPLACÉS ILS DEVRONT CORRESPONDRE AUX SPÉCIFICATIONS DE CÂBLAGE ORIGINAL DE TEMPÉRATURE NOMINALE DE 105 C AVEC ISOLANT DE CLASSE DE 600 V



PIÈCES DE SERVICE MODÈLE H80XL

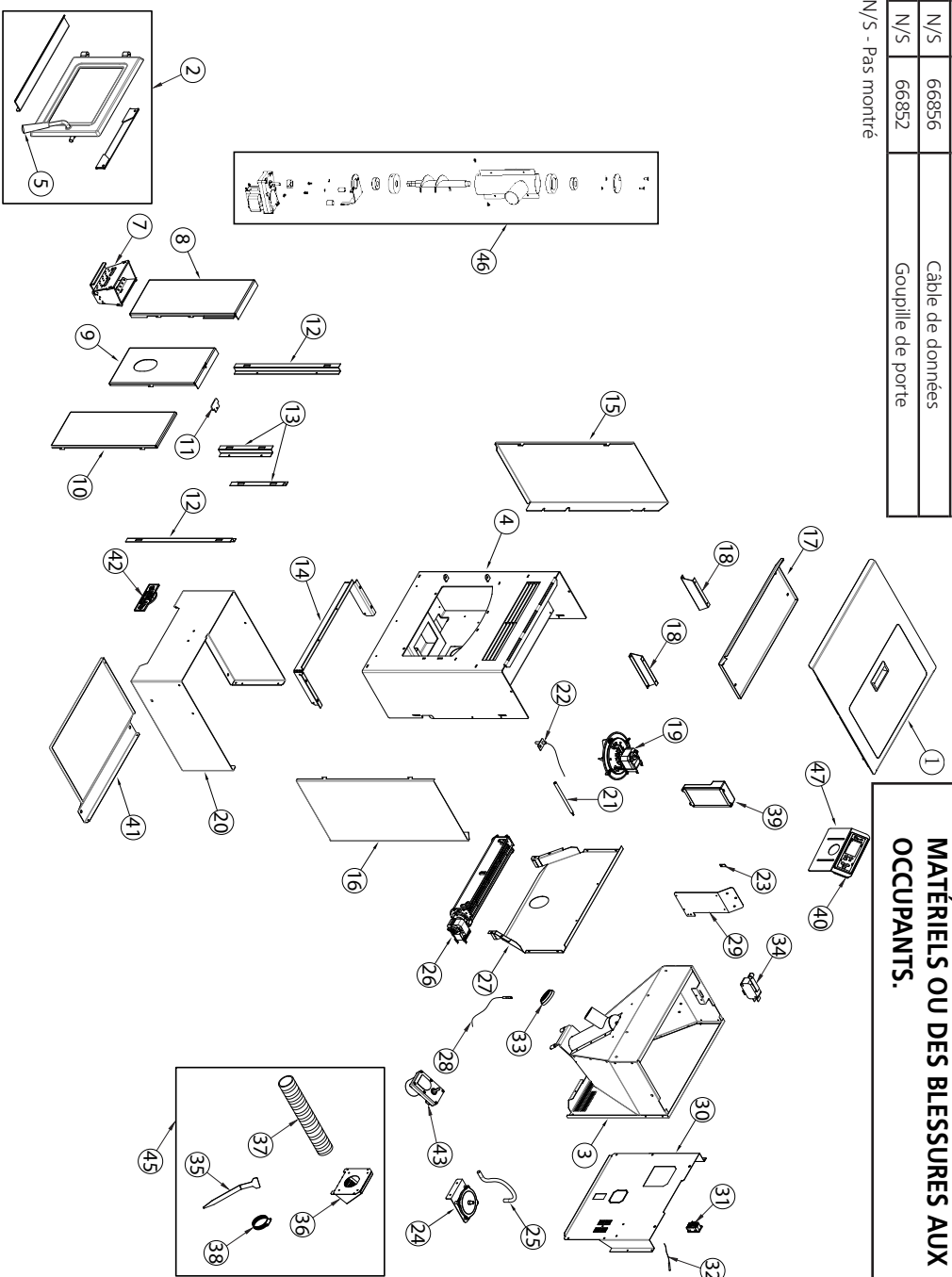
N°	N° de pièce	DESCRIPTION
1	66623	Le couvercle supérieur
2	66624	Porte assemblée
3	n / a	Hopper
4	n / a	Corps principal
5	66603	Poignée de porte
7	66625	Pot de feu
8	66931	Conseil de combustion - gauche
9	66933	Conseil de combustion au milieu
10	66932	Panneau De Conduit De Droite
11	n / a	Plaque de cheminée supérieure
12	n / a	Conduit de fumée plaque longue
13	n / a	Conduit de cheminée fixe court
14	n / a	Piédestal plaque fixe
15	66736	Panneau latéral gauche
16	66737	Panneau latéral droit
17	n / a	Plaque d'isolation thermique
18	n / a	Plaque de support d'isolation
19	66607	Souffleur à combustion
20	n / a	Plaque de piédestal
21	66608	Allumeur
22	66609	Capteur d'échappement
23	n / a	Vis de fixation
24	66628	Commutateur de vide
25	66629	Tube de silicone de commutateur de vide
26	66630	Ventilateur de circulation
27	n / a	Couverture d'isolation de chambre
28	66613	Capteur de sécurité de la trémie
29	n / a	Plaque fixe de la carte mère
30	66631	Capot arrière
31	66615	Prise de courant
32	66616	Capteur de pièce
33	66622	Joint détaché en caoutchouc silicone
34	66617	Commutateur de couvercle de trémie
35	66855	Outil de nettoyage (voir n. 45)
36	n / a	Ventilation d'admission d'air frais (voir n. 45)
37	n / a	Tube d'expansion en aluminium (voir n. 45)
38	n / a	Pince (voir n. 45)
39	66618	Carte mère
40	66619	Panneau d'affichage

N°	N° de pièce	DESCRIPTION
41	n / a	Plaque intérieure de piédestal
42	n / a	Plaque signalétique
43	66621	Moteur de tarrière
44	66658	Télécommande (non illustrée)
45	66659	Kit d'accessoires
46	66660	Assemblée de la tarrière
47	66850	Support de panneau d'affichage
N/S	66854	Cordon d'alimentation
N/S	66856	Câble de données
N/S	66852	Goupille de porte

N/S - Pas montré

REMARQUE : LES PIÈCES NE SONT PAS TOUTES EN MAGASIN. POUR TOUTE QUESTION, COMMUNIQUEZ AVEC LE FABRICANT.

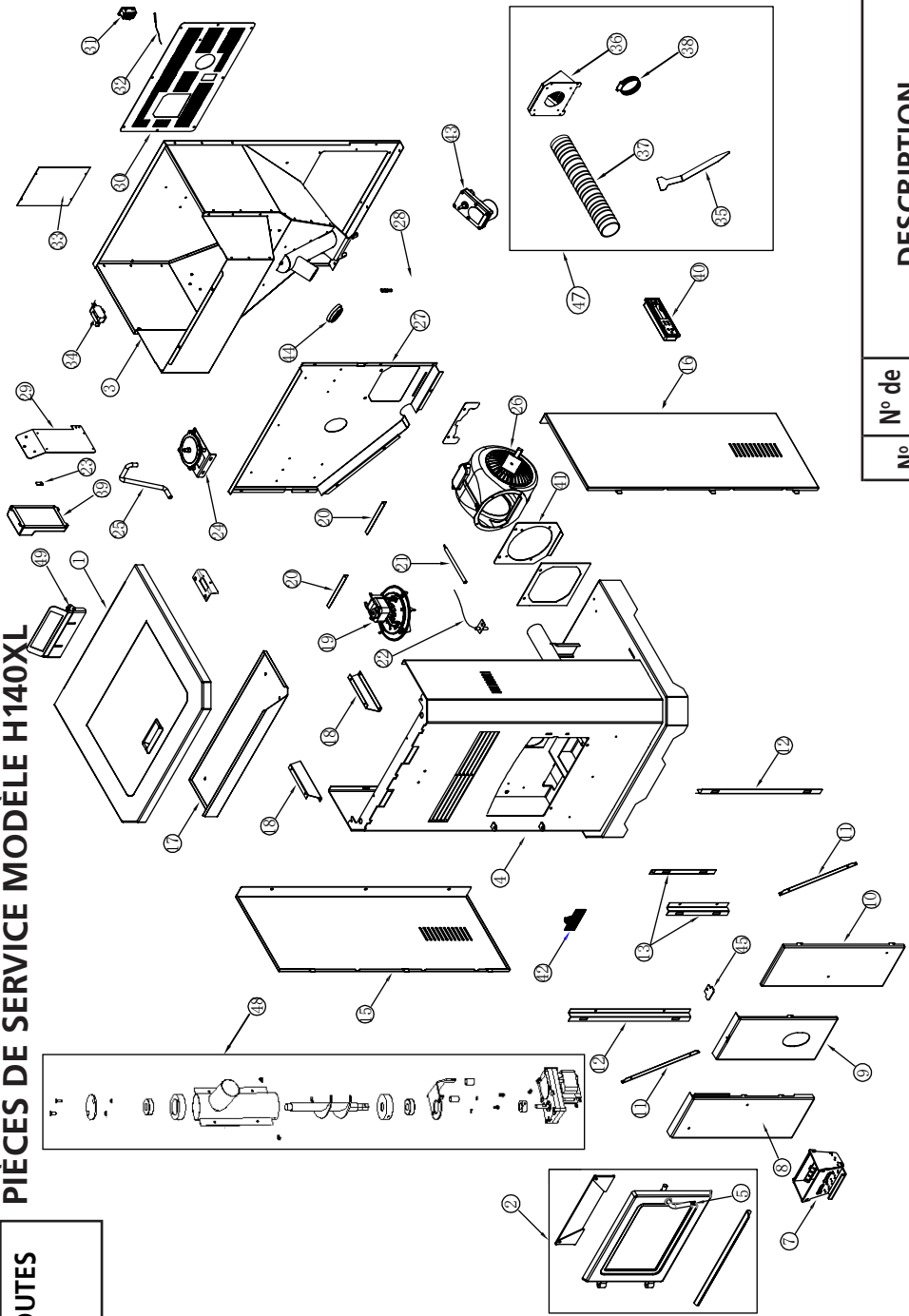
⚠ AVERTISSEMENT : NE PAS POSITIONNER LES PIÈCES SELON CES SCHEMAS OU NE PAS UTILISER EXCLUSIVEMENT LES PIÈCES SPÉCIFIQUEMENT APPRUVÉES POUR CE POÊLE POURRAIT RÉSULTER EN DES DOMMAGES MATÉRIELS OU DES BLESSURES AUX OCCUPANTS.



REMARQUE : LES PIÈCES NE SONT PAS TOUTES EN MAGASIN. POUR TOUTE QUESTION, COMMUNIQUEZ AVEC LE FABRICANT.

AVERTISSEMENT : NE PAS POSITIONNER LES PIÈCES SELON CES SCHÉMAS OU NE PAS UTILISER EXCLUSIVEMENT LES PIÈCES SPÉCIFIQUEMENT APPROUVÉES POUR CE POÊLE POURRAIT RÉULTER EN DES DOMMAGES MATÉRIELS OU DES BLESSURES AUX OCCUPANTS.

PIÈCES DE SERVICE MODÈLE H140XL



N°	N° de pièce	DESCRIPTION
1	66601	Le couvercle supérieur
2	66602	Porte assemblée
3	n / a	Hopper
4	n / a	Corps principal
5	66603	Poignée de porte
7	66604	Pot de feu
8	66934	Conduit de fumée gauche
9	66862	Plaque De Conduit
10	66935	Conduit de fumée à droite
11	n / a	Renfort de la cheminée
12	n / a	Conduit de fumée plaque longue
13	n / a	Conduit de cheminée fixe court
15	66738	Panneau latéral gauche
16	66739	Panneau latéral droit
17	n / a	Panneau isolant thermique
18	n / a	Plaque de support d'isolation
19	66607	Souffleur à combustion
20	n / a	Plaque de renforcement
21	66608	Allumeur
22	66609	Captur d'échappement
23	n / a	Vis de terre
24	66610	Commutateur de vide
25	66611	Tube de silicone
26	66612	Ventilateur de circulation
27	n / a	Couverture d'isolation de chambre
28	66613	Captur de sécurité de la trémie
29	n / a	Plaque fixe de la carte mère
30	66614	Capot arrière
31	66615	Prise de courant
32	66616	Captur de pièce
33	n / a	Étiquette de notation
34	66617	Commutateur de couvercle de trémie
35	66855	Outil de nettoyage (voir n 47)
36	n / a	Ventilation d'admission d'air frais (voir n 47)
37	n / a	Tube d'expansion en aluminium (voir n 47)
38	n / a	Pince (voir n 47)
39	66618	Carte mère
40	66619	Panneau d'affichage
41	66620	Plaque fixe ventilateur
42	n / a	Plaque signalétique
43	66621	Moteur de tarrière
44	66622	Joint d'étanchéité en caoutchouc silicone
45	n / a	Plaque de cheminée supérieure
46	66658	Télécommande (non illustrée)
47	66659	Kit d'accessoires
48	66660	Assemblée de la vis
49	66850	Support de panneau d'affichage
N/S	66854	Cordon d'alimentation
N/S	66856	Câble de données
N/S	66852	Goupille de porte

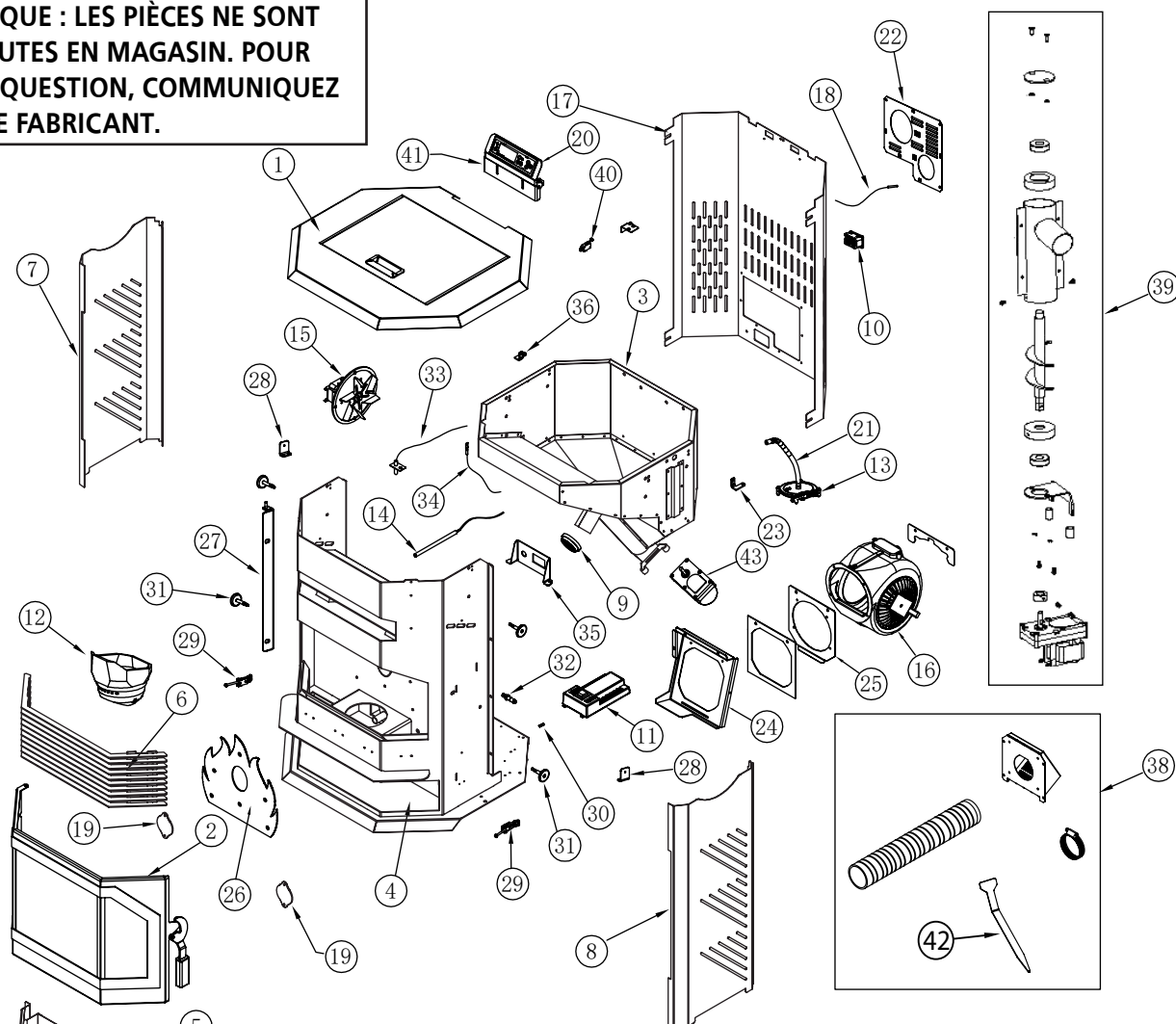
N°	N° de pièce	DESCRIPTION
41	66620	Plaque fixe ventilateur
42	n / a	Plaque signalétique
43	66621	Moteur de tarrière
44	66622	Joint d'étanchéité en caoutchouc silicone
45	n / a	Plaque de cheminée supérieure
46	66658	Télécommande (non illustrée)
47	66659	Kit d'accessoires
48	66660	Assemblée de la vis
49	66850	Support de panneau d'affichage
N/S	66854	Cordon d'alimentation
N/S	66856	Câble de données
N/S	66852	Goupille de porte

N/S - Pas montré

N°	N° de pièce	DESCRIPTION
29	n / a	Plaque fixe de la carte mère
30	66614	Capot arrière
31	66615	Prise de courant
32	66616	Captur de pièce
33	n / a	Étiquette de notation
34	66617	Commutateur de couvercle de trémie
35	66855	Outil de nettoyage (voir n 47)
36	n / a	Ventilation d'admission d'air frais (voir n 47)
37	n / a	Tube d'expansion en aluminium (voir n 47)
38	n / a	Pince (voir n 47)
39	66618	Carte mère
40	66619	Panneau d'affichage

PIÈCES DE SERVICE MODÈLE H3W80XL

REMARQUE : LES PIÈCES NE SONT PAS TOUTES EN MAGASIN. POUR TOUTE QUESTION, COMMUNIQUEZ AVEC LE FABRICANT.



⚠ AVERTISSEMENT : NE PAS POSITIONNER LES PIÈCES SELON CES SCHÉMAS OU NE PAS UTILISER EXCLUSIVEMENT LES PIÈCES SPÉCIFIQUEMENT APPROUVÉES POUR CE POËLE POURRAIT RÉULTER EN DES DOMMAGES MATÉRIELS OU DES BLESSURES AUX OCCUPANTS.

N°	N° de pièce	DESCRIPTION
1	66632	Le couvercle supérieur
2	66633	Porte
3	n / a	Hopper
4	n / a	Corps principal
5	66634	Cendrier
6	n / a	Plaque décorative
7	66740	Panneau latéral gauche
8	66741	Panneau latéral droit
9	66622	Joint d'étanchéité en caoutchouc silicone
dix	66615	Prise de courant
11	66637	Carte mère
12	66638	Pot de feu
13	66639	Commutateur de vide
14	66640	Allumeur
15	66641	Souffleur à combustion
16	66612	Ventilateur de circulation
17	66742	Capot arrière

N°	N° de pièce	DESCRIPTION
18	66643	Captur de pièce
19	n / a	Plaque d'étanchéité
20	66644	Panneau d'affichage
21	66645	Tube de silicone de dispositif de pression
22	66646	Plaque d'étanchéité arrière
23	66647	Charnière de panneau latéral droit
24	66648	Support de soufflante
25	66620	Plaque fixe ventilateur
26	n / a	Plaque ignifuge
27	66649	Charnière de porte
28	66650	Couvercle Arrière Plaque Fixe
29	66651	Pièces de verrouillage pour cendrier
30	n / a	Vis de terre
31	66652	Aimant

N°	N° de pièce	DESCRIPTION
32	66653	Porte, loquet
33	66654	Captur d'échappement
34	66655	Captur de sécurité de la trémie
35	66656	Prise plaque fixe
36	66657	Charnière de panneau latéral gauche
37	66658	Télécommande (non illustrée)
38	66659	Kit d'accessoires
39	66660	Assemblée de la tarière
40	66617	Commutateur de couvercle de trémie
41	66850	Support de panneau d'affichage
42	66855	Outil de nettoyage (voir n 38)
43	66621	Moteur de tarière
N/S	66854	Cordon d'alimentation
N/S	66856	Câble de données
N/S	66859	Goupille de porte

GUIDE DU PROPRIÉTAIRE ET INSTRUCTIONS D'UTILISATION

N° de modèle
C80XL, J80XL, N80XL
C140XL, J140XL, N140XL
C3W80XL, J3W80XL, N3W80XL

LIRE LES INSTRUCTIONS ATTENTIVEMENT : Veuillez lire le présent manuel au complet avant d'installer et d'utiliser ce poêle à grenailles de bois. Ne pas suivre les directives comprises pourrait résulter en des dommages matériels ou des blessures graves, voire la mort. Ne pas laisser quiconque qui n'a pas lu les instructions du présent manuel assembler, allumer, régler ou faire fonctionner le poêle. Remiser ce manuel dans un endroit sûr pour référence ultérieure.

AVERTISSEMENT :

N'UTILISER QUE LES PIÈCES DE REMPLACEMENT DU FABRICANT. L'UTILISATION DE TOUTE AUTRE PIÈCE POURRAIT CAUSER DES BLESSURES OU LE DÉCÈS DE PERSONNES. LES PIÈCES DE REMPLACEMENTS SONT SEULEMENT DISPONIBLES DIRECTEMENT DE LA MANUFACTURE ET DOIVENT ÊTRE INSTALLÉES PAR UNE AGENCE DE SERVICE QUALIFIÉE.

RENSEIGNEMENTS POUR COMMANDES DE PIÈCES :

ACHAT : LES ACCESSOIRES PEUVENT ÊTRE ACHETÉS EN TOUT TEMPS DE TOUT DÉPOSITAIRE MASTER FORGE LOCAL OU DIRECTEMENT DE LA MANUFACTURE.

POUR RENSEIGNEMENTS CONCERNANT LE SERVICE :

Veuillez composer le numéro sans frais 1-833-950-1184

Nos heures d'ouverture sont de 8:00 h à 17:00 h HNE du lundi au vendredi.

Dans toutes les communications, veuillez indiquer le numéro de modèle, la date d'achat et une description du problème.

GARANTIE LIMITÉE :

Enerco Group, Inc. (EGI) garantit les poêles à grenailles de bois Master Forge être libres de défauts de matériaux et de main-d'œuvre au moment de la livraison. Après l'installation, si des composants couverts sont trouvés présenter des défauts de matériau ou de main-d'œuvre durant la période de couverture applicable, alors la Société, à sa propre option, réparera ou remplacera les produits retournés par l'acheteur à l'atelier, tous frais de transport payés d'avance, durant la période de garantie applicable, les pièces trouvées défectueuses. La période de garantie des composants couverts est définie dans le tableau suivant :

Composants couverts	Période de garantie (pièce seulement, main-d'œuvre non comprise)
Électriques	1 an
Pièces métalliques (excluant le pot de combustion)	5 ans

Si une pièce est endommagée ou manquante, appelez notre Service de soutien technique au 1-833-950-1184.

Adresser toute demande de compensation de garantie à : Service Department, Enerco Group, Inc., 4560 W. 160TH ST., CLEVELAND, OHIO 44135 U.S.A. Indiquez votre nom, adresse et numéro de téléphone, le numéro de modèle et le numéro de série de votre produit et décrivez les détails concernant la demande de compensation. Veuillez également nous indiquer la date d'achat ainsi que les nom et adresse du dépositaire où vous avez acheté votre produit.

Ce qui suit est la description complète de la responsabilité de la Société. Aucune autre garantie explicite ou implicite n'est applicable. Particulièrement, aucune garantie de concordance spécifique à une application ne s'applique ainsi que toute garantie de commercialité. En aucun cas la Société ne sera responsable de délais dus à des imperfections ou dommages de conséquence ainsi que pour des frais de toute nature sauf si consentis par écrit. Les réparations ou remplacements seront le remède exclusif pour tout bris de garantie. Il n'y a pas de garantie contre les infractions de droits ou de garantie implicite de ressortissants d'affaires. La présente garantie ne s'appliquera à aucun produit qui a été réparé ou modifié hors de l'usine sous tout aspect qui selon notre opinion affecte la condition de fonctionnement. La présente garantie ne couvre pas les dommages ou bris dus à un mauvais usage, abus d'utilisation ou modifications. La garantie ne couvre pas la peinture de finition, les vitres, joints d'étanchéité ou les briques réfractaires. La garantie ne couvre pas le pot de combustion. La garantie ne couvre aucun dommage de corrosion.

Certains États/provinces ne permettent pas l'exclusion ou la limite de dommages accessoires ou indirects, alors les exclusions ou limitations ci-dessus pourraient ne pas s'appliquer dans votre cas. La présente garantie vous donne des droits juridiques particuliers et d'autres droits, variables d'un état/province à l'autre, pourraient s'appliquer.

Enerco Group Inc. se réserve le droit d'apporter des modifications sur les couleurs, spécifications, accessoires, matériaux et modèles en tout temps sans préavis ou obligation.

ENERCO GROUP, INC., 4560 W. 160TH ST., CLEVELAND, OHIO 44135
© 2024, Enerco Group. Tous droits réservés

Brevet Américain en Instance



Report Number : F23-240
ASTM E1509-22
CAN/ULC-S627:2023

INSTALLER: Leave this manual with the appliance.

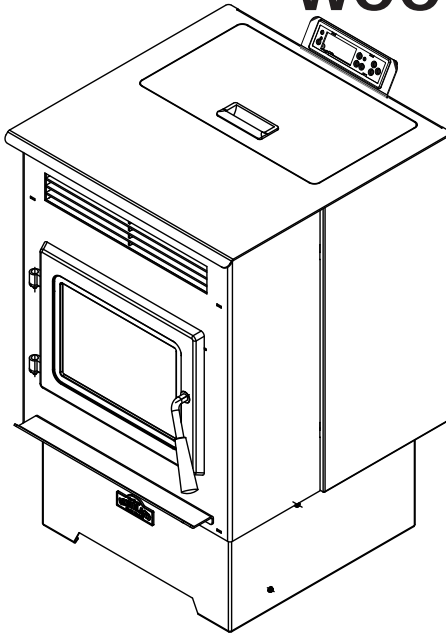
CONSUMER: Save these Instructions for future reference.

OPERATING INSTRUCTIONS AND OWNER'S MANUAL

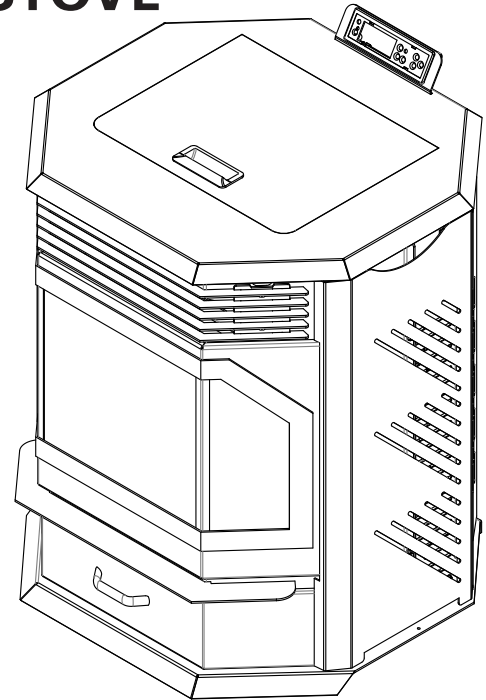
Model #
H60W, J60W, N60W
H130W, J130W, N130W
HBF66W, JBF66W, NBF66W

READ INSTRUCTIONS CAREFULLY: Please read this entire manual before installation and use of this pellet fuel-burning room heater. Failure to follow these instructions could result in property damage, bodily injury or even death. Do not allow anyone who has not read these instructions to assemble, light, adjust or operate the stove. Place instructions in a safe place for future reference.

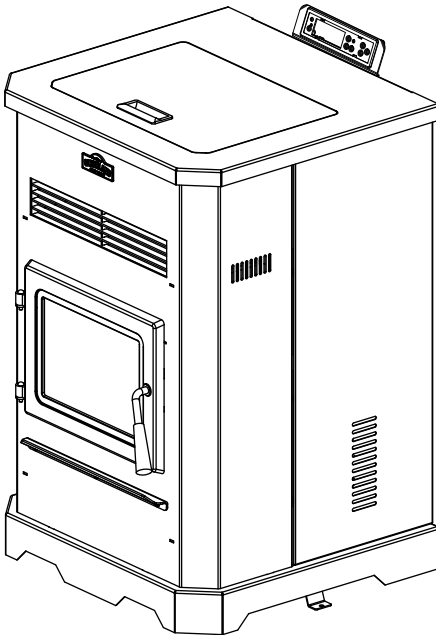
WOOD PELLET FIRE STOVE



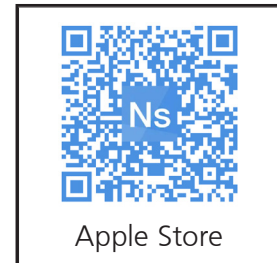
H60W, J60W, N60W



HBF66W, JBF66W, NBF66W



H130W, J130W, N130W



Apple Store



Google Play Store

THE AUTHORITY HAVING JURISDICTION (SUCH AS MUNICIPAL BUILDING DEPARTMENT, FIRE DEPARTMENT, FIRE PREVENTION BUREAU, ETC.) SHOULD BE CONSULTED BEFORE INSTALLATION TO DETERMINE ANY NEED TO OBTAIN A PERMIT. OBSERVE ALL LOCAL BUILDING CODES.

Cleveland Ironworks a subsidiary of Enerco Group Inc.
4560 West 160th st Cleveland, Ohio 44135 1-800-251-0001

XXXXX

GENERAL HAZARD WARNING:

⚠ FAILURE TO COMPLY WITH THE PRECAUTIONS AND INSTRUCTIONS PROVIDED WITH THIS STOVE CAN RESULT IN DEATH, SERIOUS BODILY INJURY AND PROPERTY LOSS OR DAMAGE FROM HAZARDS OF FIRE, EXPLOSION, BURN, ASPHYXIATION, CARBON MONOXIDE POISONING, AND/OR ELECTRICAL SHOCK.

⚠ ONLY PERSONS WHO CAN UNDERSTAND AND FOLLOW THE INSTRUCTIONS SHOULD USE OR SERVICE THIS STOVE.

⚠ IF YOU NEED ASSISTANCE OR STOVE INFORMATION SUCH AS AN INSTRUCTIONS MANUAL, LABELS, ETC. CONTACT THE MANUFACTURER.

WARNING:

⚠ FIRE, BURN, INHALATION, AND EXPLOSION HAZARD. KEEP SOLID COMBUSTIBLES, SUCH AS BUILDING MATERIALS, PAPER OR CARDBOARD, A SAFE DISTANCE AWAY FROM THE STOVE AS RECOMMENDED BY THE INSTRUCTIONS NEVER USE THE STOVE IN SPACES WHICH DO OR MAY CONTAIN VOLATILE OR AIRBORNE COMBUSTIBLES, OR PRODUCTS SUCH AS GASOLINE, SOLVENTS, PAINT THINNER, DUST PARTICLES OR UNKNOWN CHEMICALS.

⚠ **WARNING:** This product can expose you to chemicals including lead and lead compounds, which are known to the State of California to cause cancer and birth defects or other reproductive harm. For more information visit www.P65Warnings.ca.gov

Contents

SPECIFICATIONS.....3

GETTING STARTED.....4

SAFETY PRECAUTIONS.....5

CLEARANCE TO COMBUSTIBLES.....6

UNPACKING & ASSEMBLY.....7

INSTALLATION.....8

ADDITIONAL MOBILE HOME REQUIREMENTS ..12

OPERATION.....14

SMART STOVE WIFI CONNECTION.....16

WIFI CONTROLS.....17

MULTI FUNCTION CONTROLS.....18

MANUAL STOVE OPERATION.....19

MAINTENANCE.....20

CLEANING SCHEDULE.....24

TROUBLESHOOTING.....27

WIRING DIAGRAM.....30

SERVICE PARTS.....31

FCC INFORMATION

CAUTION: Changes or modifications not expressly approved by the party responsible for compliance could void the user’s authority to operate the equipment.

NOTE: This equipment has been tested and found to comply with the limits for a Class B digital device, pursuant to part 15 of the FCC Rules. These limits are designed to provide reasonable protection against harmful interference in a residential installation. This equipment generates, uses and can radiate radio frequency energy and, if not installed and used in accordance with the instructions, may cause harmful interference to radio communications. However, there is no guarantee that interference will not occur in a particular installation. If this equipment does cause harmful interference to radio or television reception, which can be determined by turning the equipment off and on, the user is encouraged to try to correct the interference by one or more of the following measures:

- Reorient or relocate the receiving antenna.
- Increase the separation between the equipment and receiver.
- Connect the equipment into an outlet on a circuit different from that to which the receiver is connected.
- Consult the dealer or an experienced radio/TV technician for help.

SPECIFICATIONS

Model #	PS60W	PS130W	PSBF66W
DIMENSIONS			
Stove Weight [LBS (kg)]	198 (90)	221 (100)	265 (120)
Stove Dimensions LxWxH [in (cm)]	23.5" x 21.75 " x 33.25" (59.7 x 55.2 x 84.5)	24.0" x 24.5 " x 36.5" (61.0 x 62.2 x 92.7)	26.18" x 24.53 " x 30.39" (66.5 x 62.3 x 77.2)
Air Inlet Pipe Diameter [in (mm)]	2" (50)	2" (50)	2" (50)
Air Outlet Pipe Diameter [in (mm)]	3" (80)	3" (80)	3" (80)
Pellet Hopper Capacity [LBS (kg)]	60 (27.2)	130 (59.0)	66 (29.9)
OPERATION SPECIFICATIONS			
Fuel	Wood Pellet	Wood Pellet	Wood Pellet
Heats approximately ** [ft ² (m ²)]	1500 - 2200 (139 - 204)	2000 - 3000 (186 - 279)	1800 - 2500 (167 - 232)
Carbon Monoxide Produced (g/min)	0.32 on High 0.18 on Low	0.20 on High 0.36 on Low	0.11 on High 0.21 on Low
Pellet Consumption Rate Low [LBS/HR (kg/HR)]	1.59 (0.72 - Dry)	1.98 (0.90 - Dry)	1.74 (0.79 - Dry)
Pellet Consumption Rate Medium [LBS/HR (kg/HR)]	2.03 (0.92 - Dry)	2.82 (1.28 - Dry)	2.36 (1.07 - Dry)
Pellet Consumption Rate High [LBS/HR (kg/HR)]	4.37 (1.98 - Dry)	4.83 (2.19 - Dry)	4.67 (2.12 - Dry)
Stove Efficiency	84%	77%	80%
Heat Output Rate Low [BTU/HR (kW)]	10,771 (3.16)	12,746 (3.74)	11,624 (3.41)
Heat Output Rate Medium [BTU/HR (kW)]	13,910 (4.08)	18,088 (5.30)	15,511 (4.55)
Heat Output Rate High [BTU/HR (kW)]	30,124 (8.83)	29,501 (8.65)	30,173 (8.84)
ELECTRICAL SPECIFICATIONS			
Electrical Supply Requirements [Voltage / Frequency / Phase]	120V / 60 Hz / Single	120V / 60 Hz / Single	120V / 60 Hz / Single
Electric Current During Lighting Phase [Amperes]	3.3	3.3	3.3
Auger Motor R.P.M.	2.4	2.4	2.4

This manual describes the installation and operation of the brand "Cleveland Iron Works" wood pellet fire stove. This stove meets the applicable U.S. Environmental Protection Agency's emission limits for pellet fired heaters sold after 2020. Under specific test conditions these stoves have been shown to deliver heat at rates ranging from:

PS60W: 10,771 to 30,124 Btu/hr

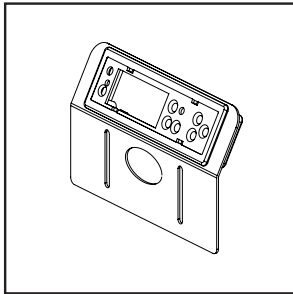
PS130W: 12,746 to 29,501 Btu/hr

PSBF66W: 11,624 to 30,173 Btu/hr

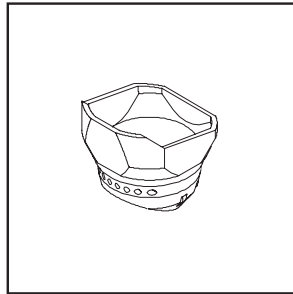
*BTU input/output will vary, depending on the brand of fuel you use in your Stove

** Depending on insulation rating of room and climate zone. Variations in climate and location affect attributes such as stove efficiency and CO produced.

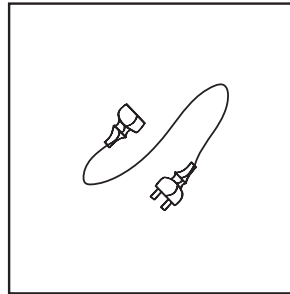
GETTING STARTED



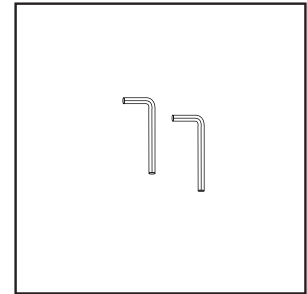
Display Panel



Firepot

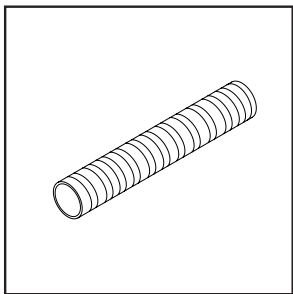


Main Power Cord

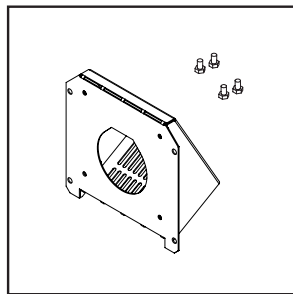


Allen Wrenches (x2)

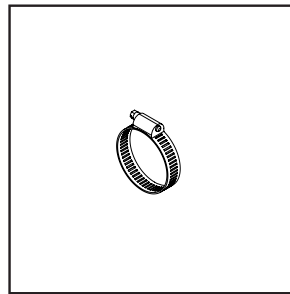
ACCESSORY KIT



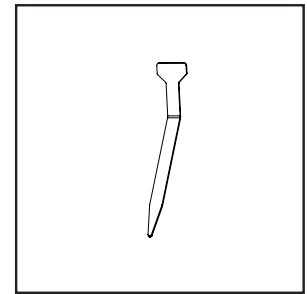
Flex Hose



Termination Cap and
Screws (x4)



Hose Clamp



Cleaning Tool

WHAT YOU'LL NEED (NOT SUPPLIED)

TOOLS REQUIRED

- Tape Measure
- Phillips Screwdriver or Comparable Electric Screw Driver & Drill Bit.
- Stud Finder
- Plumb Bob
- Reciprocating Saw
- High Temperature Silicone or High Temperature Sealant or High Temperature Flue Tape
- Floor Protection (see "FLOORING SPACE" and "FLOORING MATERIAL" on page 6)
- Manufactured venting of 3" (80mm) in diameter of type "L" or "PL" which is listed to UL 641, ULC S609 (Standard for 650 C Factory-Built Chimneys), or ULC/ORD C441. Install per chimney manufacturer's instructions (see page 9)

SAFETY EQUIPMENT (RECOMMENDED)

- Safety Glasses
- Gloves
- Closed-toed Shoes
- A friend (the stove is heavy, do not attempt to move the stove without assistance)

BATTERY INFORMATION

The remote that is shipped with your stove comes with one (1) 3V CR2025 Lithium Battery installed.

IMPORTANT:

- Non-rechargeable batteries are not to be recharged.
- Batteries are to be inserted with the correct polarity.
- Exhausted batteries are to be removed from the remote.
- Caution for ingestion.

⚠ WARNING: DO NOT DISPOSE OF BATTERIES IN FIRE. BATTERIES MAY EXPLODE OR LEAK.

⚠️ WARNING

- **INGESTION HAZARD:** This product contains a button cell or coin battery.
- **DEATH** or serious injury can occur if ingested.
- A swallowed button cell or coin battery can cause **Internal Chemical Burns** in as little as **2 hours**.
- **KEEP** new and used batteries **OUT OF REACH** of **CHILDREN**
- **Seek immediate medical attention** if a battery is suspected to be swallowed or inserted inside any part of the body.



- This product contains a lithium button/coin cell battery. If a new or used lithium button/coin cell battery is swallowed or enters the body, it can cause severe internal burns and can lead to death in as little as 2 hours. Always completely secure the battery compartment. If the battery compartment does not close securely, stop using the product, remove the batteries, and keep it away from children. If you think batteries might have been swallowed or placed inside any part of the body, seek immediate medical attention. Call a local poison control center for treatment information.
- Remove and immediately recycle or dispose of used batteries according to local regulations and keep away from children. Do NOT dispose of batteries in household trash or incinerate. Even used batteries may cause severe injury or death.
- Non-rechargeable batteries are not to be recharged. Do not force discharge, recharge, disassemble, heat above (manufacturer's specified temperature rating) or incinerate. Doing so may result in injury due to venting, leakage or explosion resulting in chemical burns.
- Ensure the batteries are installed correctly according to polarity (+ and -). Do not mix old and new batteries, different brands or types of batteries, such as alkaline, carbon-zinc, or rechargeable batteries. Remove and immediately recycle or dispose of batteries from equipment not used for an extended period of time according to local regulations.

SAFETY PRECAUTIONS

HAVE AN ESTABLISHED PLAN FOR WHAT TO DO IN THE EVENT OF A FIRE. CONTACT YOUR LOCAL FIRE AUTHORITY TO ACQUIRE INFORMATION AND A PLAN FOR WHAT TO DO IN THE EVENT OF A CHIMNEY FIRE.

⚠️ WARNING: DO NOT INSTALL IN SLEEPING ROOM.

⚠️ CAUTION: HANDLE STOVE WITH CARE. AVOID STRIKING, SCRATCHING OR SLAMMING GLASS ASSEMBLIES. DO NOT OPERATE WITH CRACKED, BROKEN OR SCRATCHED GLASS.

⚠️ WARNING: HOT WHILE IN OPERATION. KEEP CHILDREN, CLOTHING AND FURNITURE AWAY. CONTACT MAY CAUSE SKIN BURNS.

⚠️ WARNING: NEVER LEAVE CHILDREN NEAR THE STOVE UNATTENDED WHILE THE STOVE IS OPERATING.

⚠️ WARNING: DO NOT OVERFIRE. OVERFIRING THE APPLIANCE MAY CAUSE A FIRE. IF THE UNIT OR CHIMNEY CONNECTOR GLOWS, YOU ARE OVERFIRING.

⚠️ WARNING: THIS WOOD HEATER HAS A MANUFACTURER-SET MINIMUM LOW BURN RATE THAT MUST NOT BE ALTERED. IT IS AGAINST FEDERAL REGULATIONS TO ALTER THIS SETTING OR OTHERWISE OPERATE THIS WOOD HEATER IN A MANNER INCONSISTENT WITH OPERATING INSTRUCTIONS IN THIS MANUAL.

CARBON MONOXIDE

WARNING:

⚠️ WHEN USED WITHOUT ADEQUATE COMBUSTION AND VENTILATION AIR, THIS STOVE MAY GIVE OFF EXCESSIVE CARBON MONOXIDE, AN ODORLESS, POISONOUS GAS.

WARNING:

⚠️ EARLY SIGNS OF CARBON MONOXIDE POISONING RESEMBLE THE FLU, WITH HEADACHE, DIZZINESS AND/OR NAUSEA. IF YOU HAVE THESE SIGNS, STOVE MAY NOT BE WORKING PROPERLY. GET FRESH AIR AT ONCE! HAVE STOVE SERVICED.

SOME PEOPLE - PREGNANT WOMEN, PERSONS WITH HEART OR LUNG DISEASE, ANEMIA, THOSE UNDER THE INFLUENCE OF ALCOHOL, THOSE AT HIGH ALTITUDES - ARE MORE AFFECTED BY CARBON MONOXIDE THAN OTHERS.

Regardless of how safe this stove is, every fuel burning appliance creates Carbon Monoxide. It is always a good plan to reduce risk to you and your loved ones as much as possible by installing a Carbon Monoxide detector. It is recommended to install monitors in areas that are expected to generate carbon monoxide such as heater fueling areas, pellet fuel bulk storage areas, or sheds containing hydronic heaters. Follow the installation, operation, & maintenance instructions provided by the manufacturer of your detector.

SMOKE DETECTORS

Have at least 1 smoke detector on each floor of your building. Follow the installation, operation, & maintenance instructions provided by the manufacturer of your detector. Avoid false alarms by placing the detector outside the immediate vicinity of the stove. Typically a good installation location for smoke detectors is near bedrooms.

FOR MORE SAFETY INFORMATION

For auxiliary information regarding pellet stove safety and operation information contact the National Fire Protection Association (NFPA) by mail at:

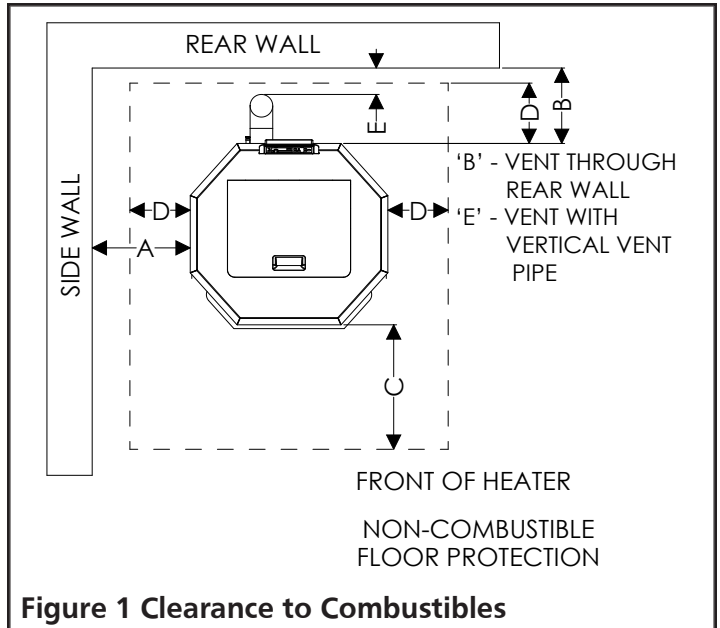
NFPA, Batterymarch Park, Quincy, MA 02269

or visit the NFPA website:

<https://www.nfpa.org/>

CLEARANCE TO COMBUSTIBLES

The following stated clearances represent the minimum distances between the stove and any other object. No objects should encroach into this space. This includes but is not limited to carpet, furniture, children, pets, clothing, fuel, or any other object. These clearances may only be reduced by means approved by the regulatory authority having jurisdiction.



	USA	CANADA
A	13" (330 mm)	13" (330 mm)
B	2" (51 mm)	2" (51 mm)
C	18" (457 mm)	18" (457 mm)
D	8" (203 mm)	8" (203 mm)
E	3" (76 mm)	3" (76 mm)

FLOORING SPACE & CLEARANCES

When installed on a combustible floor, non-combustible floor protection is required to:

- Cover the area beneath the stove and extend at least 18 inches (457 mm) to the front
- Cover the area at least 8 inches (203 mm) beyond each side of the room heater.
- Cover the area under the exhaust venting and 2 inches (50.8 mm) beyond each side.

Additionally, the wood pellet fire stove shall be positioned such that:

- It has at least 13" (330 mm) of clearance from the each side to the nearest body.

- It has at least 2" (51 mm) of clearance from the rear to the nearest body.
- Vertical runs of vent pipe must be at least 3" (76 mm) from any wall.

Finally, the area which the wood pellet fire stove is installed shall have a floor-to-ceiling distance of at least 84" (2134 mm).

FLOORING MATERIAL

Floor protection must be all of the following:

- Listed to UL 1618.
- At least 0.5" (13 mm) thick
- Constructed of non-combustible material.
- Have either:

Thermal resistance value R of $1.19 \frac{(\text{ft}^2)(\text{hr})(^\circ\text{F})}{\text{Btu}}$

Thermal conductivity value k of $0.84 \frac{(\text{Btu})(\text{inch})}{(\text{ft}^2)(\text{hr})(^\circ\text{F})}$

For assistance evaluating the suitability of substitute materials, the following equivalences of specifications and example below have been provided.

Thermal conductivity k = $\frac{\text{thickness}}{R} \left(\frac{(\text{Btu})(\text{inch})}{(\text{ft}^2)(\text{hr})(^\circ\text{F})} \text{ or } \frac{W}{(\text{m})(^\circ\text{K})} \right)$

Thermal conductance C = $\frac{1}{R} \left(\frac{(\text{Btu})}{(\text{ft}^2)(\text{hr})(^\circ\text{F})} \text{ or } \frac{W}{(\text{m}^2)(^\circ\text{K})} \right)$

Example: Required to protect floor with R value of $1.19 \frac{(\text{ft}^2)(\text{hr})(^\circ\text{F})}{\text{Btu}}$.

Evaluating merit of 2 inch (57 mm) thick brick with thermal conductivity k = $4.16 \frac{(\text{Btu})(\text{inch})}{(\text{ft}^2)(\text{hr})(^\circ\text{F})}$ on top of 1/2 inch (6.3 mm) thick mineral board that has C value of $2.3 \frac{(\text{Btu})}{(\text{ft}^2)(\text{hr})(^\circ\text{F})}$.

Step 1. Calculate the R value of each floor material

$$R_{\text{BRICK}} = \frac{\text{thickness}}{k} = \frac{2.25}{4.16} = 0.54$$

$$R_{\text{BOARD}} = \frac{1}{C} = \frac{1}{2.3} = 0.434$$

Step 2. Add the equivalent R values for each floor material

$$R_{\text{BRICK}} + R_{\text{BOARD}} = 0.54 + 0.434 = 0.974$$

Step 3. This combined R value is **insufficient** and so more protection must be provided. For example, by using 2 layers of bricks:

$$R_{\text{BRICK}} + R_{\text{BRICK}} + R_{\text{BOARD}} = 0.54 + 0.54 + 0.434 = 1.514$$

Step 4. Because this combined R value is larger than the specification, this is a sufficient method for protecting the floor area underneath the stove.

UNPACKING

1. Remove heater from carton.
2. Remove all protective packaging applied to heater for shipment.
3. Check heater for any shipping damage. If any damage is found immediately contact the manufacturer at 800-251-0001.

⚠ CAUTION: DAMAGED PARTS MAY COMPROMISE SAFE OPERATION.

- **DO NOT INSTALL INCOMPLETE COMPONENTS.**
- **DO NOT INSTALL SUBSTITUTE COMPONENTS.**
- **DO NOT INSTALL DAMAGED COMPONENTS.**

4. Some components are packaged unattached from the stove in order to ensure their safety during shipping. Please find the protective packaging, likely inside the stove door, to proceed with assembly.

ASSEMBLY

STEP 1 - Display Panel

Insert the display panel into the top and rear of the stove. Be sure that the display panel screen is facing towards the front of the stove. Secure the screen using two of the provided screws.

STEP 2 - Display Panel Power Cord

This cord should be wrapped up near the top of the stove. Insert free end into the back of the display panel (see figure 16 on page 15). This wire should already be connected to the stove's power board. This connection can be checked behind the access plate at the bottom and rear of stove.

STEP 3 - Main Power Cord

The main power cord attaches to the stove at the exposed socket in the rear of the stove. Once any necessary assembly of the display panel screen is complete, you may briefly plug your stove in and press red power button to ON to make sure that it functions properly before proceeding with installation. Turn OFF and unplug the stove once you confirm that the display panel works.

⚠ CAUTION: DO NOT LEAVE THE STOVE PLUGGED INTO ANY ELECTRICAL SUPPLY DURING ASSEMBLY OR INSTALLATION.

STEP 4 - Firepot

With the stove unplugged from any power supply, the firepot should be inserted into the stove so that it is securely positioned and also the hot surface igniter should be able to make physical contact with pellets that would be held in the firepot. See Figure 2 or 3.

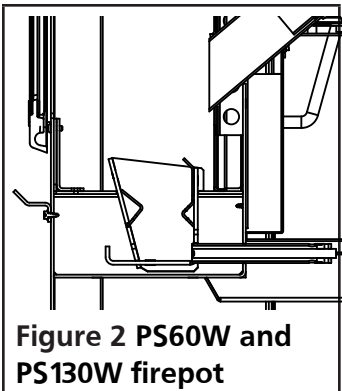


Figure 2 PS60W and PS130W firepot

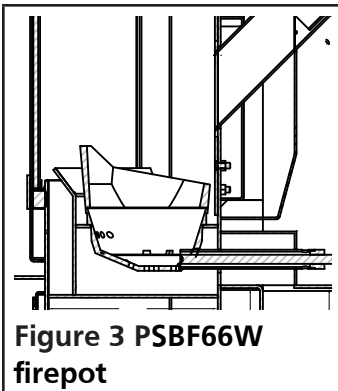


Figure 3 PSBF66W firepot

A cleaning tool is also packaged which facilitates safely cleaning the firepot perforations of debris.

STEP 5 - Air Intake Kit

Locate the air intake kit packaged with the stove. See Figure 4. Take measurements of your space and plan for the installation of horizontal venting to the outside as may be required per recommendations in "FRESH AIR AND VENTILATION REQUIREMENTS 1" on page 9. Follow all ventilation requirements and guidelines specified in "INSTALLATION" on page 8.

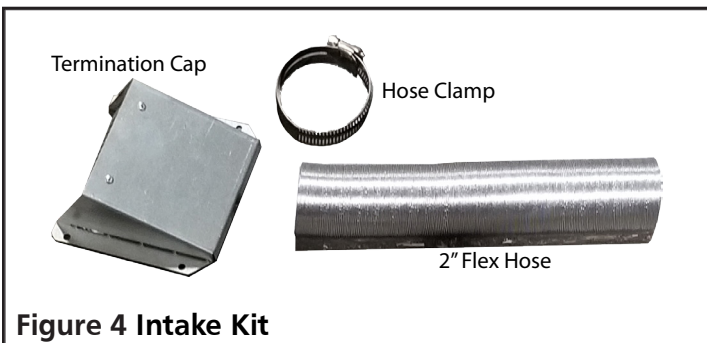


Figure 4 Intake Kit

Additional Assembly PS60W, PS130W

- The door handle: open the door, and screw the plastic grip onto the thread of the handle.



Figure 5 Door Handle

INSTALLATION

CONTACT INFORMATION

If you have any questions regarding ventilation options of your stove, contact either:

The manufacturer Mr. Heater Company at 1-800-251-0001 • Mr. Heater.COM Our office hours are 8:00 AM – 5:00 PM, EST, Monday through Friday.

The National Fire Protection Association (NFPA) and request a copy of the latest editions of NFPA Standard 211. The mailing address of the NFPA is Batterymarch Park, Quincy, MA 02269.

⚠ WARNING: WHEN THIS STOVE IS NOT PROPERLY INSTALLED, A HOUSE FIRE MAY RESULT. TO REDUCE THE RISK OF FIRE, FOLLOW THE INSTALLATION INSTRUCTIONS. CONTACT LOCAL BUILDING OR FIRE OFFICIALS ABOUT RESTRICTIONS AND INSTALLATION INSPECTION REQUIREMENTS IN YOUR AREA.

⚠ CAUTION: ANY DEVIATION OR ALTERATION FROM THESE INSTALLATION INSTRUCTIONS MAY RESULT IN DAMAGE TO YOU, THE STOVE, YOUR CHIMNEY, AND YOUR HOME. YOUR WARRANTY MAY BECOME VOID. READ AND FOLLOW ALL INSTRUCTIONS. Contact Cleveland Iron Works with any comments, concerns, or questions.

⚠ CAUTION: CONTACT LOCAL BUILDING OR FIRE OFFICIALS ABOUT RESTRICTIONS AND INSTALLATION INSPECTION REQUIREMENTS IN YOUR AREA.

PLANNING

Make sure that you have selected the correct stove for your heating requirements by checking the specifications table on page 3.

Take measurements of your space and plan for your chimney system as detailed in the following instructions.

This stove may be installed for use in a mobile home. In addition to the following instructions, review and adhere to the mandatory requirements on page 11.

ELECTRICAL CONSIDERATIONS

The rear of the stove will need to be within power cord distance, which is roughly 80 inches (203 cm), of an electrical outlet. Lay the power cord out such that it will not come into contact with the stove's surface.

FRESH AIR AND VENTILATION REQUIREMENTS

When deciding the location of the stove ensure that the space will always have a source of fresh air available. Failure to do so may result in air starvation of other fuel burning appliances and the possible development of hazardous conditions.

Provision for outside combustion air may be necessary to ensure that fuel-burning appliances do not discharge products of combustion into the house. Guidelines to determine the need for additional combustion air may not be adequate for every situation. If in doubt, it is advisable to provide additional air. Outside combustion air may be required if these or other indications suggest that infiltration air is inadequate:

- The wood pellet fired stove does not draw steadily, experiences smoke roll-out, burns poorly, or back-drafts, whether or not there is combustion present.
- Existing fuel-fired equipment in the house, such as fireplaces or other heating appliances, smell, do not operate properly, suffer smoke roll-out when opened, or back-draft, whether or not there is combustion present.
- Any of the above symptoms are alleviated by opening a window slightly on a calm (windless) day.
- The house is equipped with a well-sealed vapor barrier and tight fitting windows and/or has any powered devices which exhaust house air.
- There is excessive condensation on windows in the winter.
- A ventilation system is installed in the house.

Additional combustion air may be directly provided from the outdoors to the wood pellet fired stove by using the included air intake kit to connect to the inlet at the bottom and rear of the stove. Any such installation must satisfy Clause 4 of CSA Standard B365.

⚠ CAUTION: NEVER DRAW OUTSIDE COMBUSTION AIR FROM:

- A WALL, FLOOR OR CEILING CAVITY.
- AN ENCLOSED SPACE SUCH AS AN ATTIC, GARAGE OR CRAWL SPACE.

⚠ CAUTION: IF USING AN AIR INTAKE CONNECTION THEN THE STOVE MUST BE INSTALLED SUCH THAT IT IS ATTACHED TO THE STRUCTURE.

ADDITIONAL VENTING REQUIREMENTS

A minimum 6 feet of total vent pipe (not including elbows) must be utilized.

- Use 3" vent pipe for the entire system OR a 4"/6" adapter may be used on the exhaust immediately as it leaves the stove.
- If the system is above 16 feet, use 4" vent pipe.
- Minimum amount of vertical pipe is 4 feet and a 45 degree / vent cap is required at venting termination.

IMPORTANT: Silicone seal must be added between the double walls of the terminal pipe.

CONNECTOR REQUIREMENTS AND ASSEMBLY

⚠ CAUTION: A CHIMNEY CONNECTOR SHALL NOT PASS THROUGH AN ATTIC OR ROOF SPACE, CLOSET OR SIMILAR CONCEALED SPACE, OR A FLOOR, OR CEILING. WHERE PASSAGE THROUGH A WALL, OR PARTITION OF COMBUSTIBLE CONSTRUCTION IS DESIRED, THE INSTALLATION SHALL CONFORM TO CAN/CSA-B365, INSTALLATION CODE FOR SOLID-FUEL-BURNING APPLIANCES AND EQUIPMENT

Any connector pipes or elbows should be installed with the crimped end on the stove end of the path (not the chimney cap end) and should be secured with three evenly spaced sheet metal screws.

Connectors, elbows, and chimneys should be type 'L' or 'PL' and have a 80mm, or 3 inch diameter as the flue system is based on negative pressure in the combustion chamber and a slight overpressure on the flue gas outlet. It is therefore important that the flue gas connection is fitted correctly and is airtight. It is recommended that connectors, elbows, and chimneys be at least 24 gauge, double walled, type B ventilation.

Note that bends in the exhaust path restricts air flow, reducing performance and provides a collection point for ash deposits requiring more frequent cleaning.

⚠ CAUTION: THE JOINTS OF ANY AND ALL CONNECTIONS FOR ANY VENTILATION SYSTEMS (COMBUSTION EXHAUST AND OPTIONAL INLET AIR DUCT) MUST BE SEALED WITH HIGH TEMPERATURE SILICONE.

GENERAL VENTING REQUIREMENTS

⚠ CAUTION: DO NOT CONNECT TO ANY AIR DISTRIBUTION DUCT OR SYSTEM.

⚠ CAUTION: DO NOT CONNECT THIS UNIT TO A CHIMNEY FLUE SERVING ANOTHER APPLIANCE.

⚠ CAUTION: DO NOT INSTALL A FLUE DAMPER IN THE EXHAUST VENTING SYSTEM OF THIS WOOD PELLET FIRED STOVE.

⚠ CAUTION: DO NOT INSTALL IN ANY FIREPLACE.

This wood pellet fire stove must be connected to either of the following:

- Class A listed chimney complying with the requirements for Type HT chimneys in the Standard for Chimneys, Factory-Built, Residential Type and Building Heating Appliance, UL 103.
- A International Conference of Building Officials (ICBO) standards for solid fuel Stoves code-approved masonry chimney.

VENT TERMINATION

- Install exhaust vent at clearances specified by the vent manufacturer.
- Install exhaust vent terminations at clearances specified by the vent manufacturer.
- If using the air intake kit, ensure that there is at least 12 inches clearance between the exhaust vent termination and the intake air inlet.
- It is recommended to keep at least 12" (30.5 cm) of clearance between any vent termination and windows, doors, or outside corners.
- Use silicone to create an effective vapor barrier at the location where the chimney or other component penetrates to the exterior of the structure.
- For additional requirements check local codes.

Any vertically terminated chimney systems must meet the following minimum requirements:

- Must be at least 15 feet (4.6 m) tall, measured from the top of the stove to the tip of the chimney cap.
- Must be at least 3 feet above the roof, measured from the highest point of contact with the roof and the tip of the chimney cap.
- Must be at least 2 feet (61 cm) above the highest point of the slope of the roof within 10 feet (305 cm) horizontally.

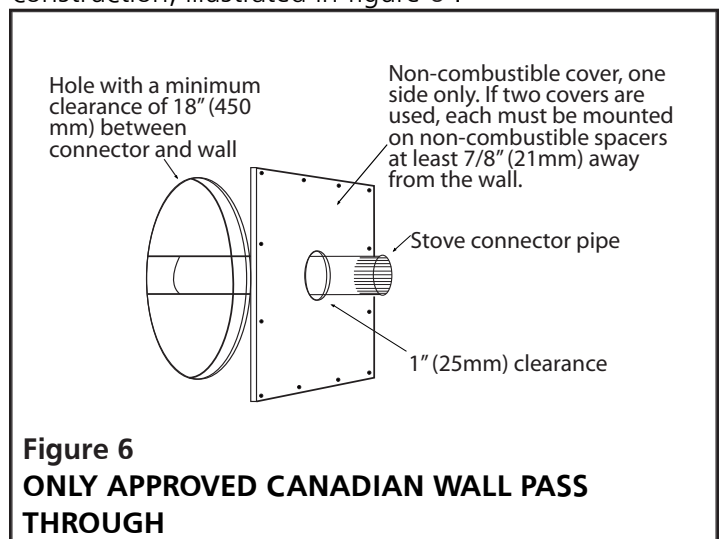
Any horizontally terminated chimney systems must meet the following minimum requirements:

- Must have at least 12" (30.5 cm) clearance above grade, veranda porch, deck or balcony (Including vegetation and mulch).

PASSING THROUGH A WALL

Where passage through a wall or partition of combustible construction is desired, the installation shall conform to chimney manufacturer's instructions.

NOTE: In Canada, installation must conform to CAN/CSA-B365 when passing through combustible construction, illustrated in figure 6 .



NFPA 211 (US ONLY) APPROVED WALL PASS THROUGH TECHNIQUES

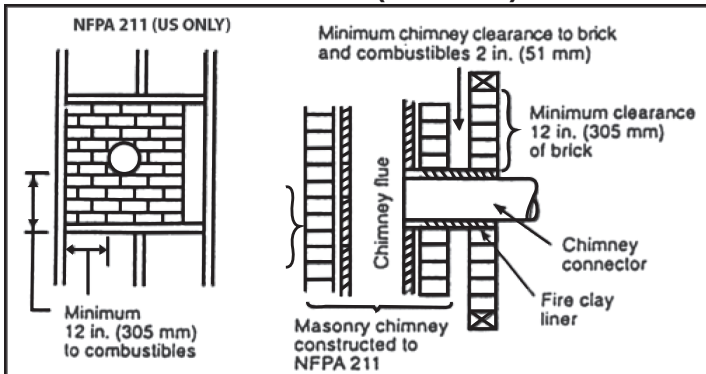


Figure 7 (US ONLY)

Brick Masonry: Minimum 3.5 inch (89 mm) thick brick masonry all framed into combustible wall with a minimum of 12 inch (305 mm) brick separation from clay liner to combustibles. The fireclay liner shall run from outer surface of brick wall to, but not beyond, the inner surface of chimney flue liner and shall be firmly cemented in place.

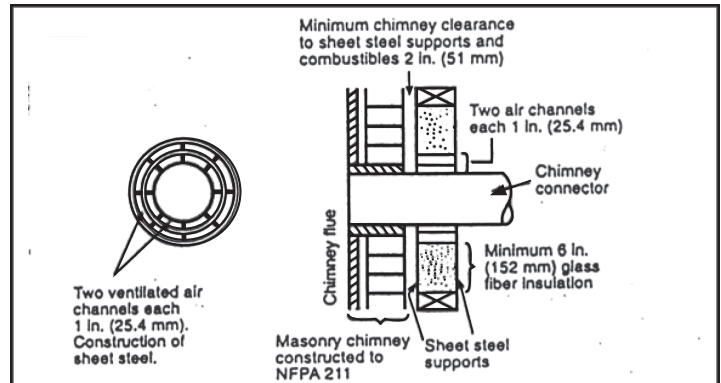


Figure 9 (US ONLY)

Ventilated Thimble: Sheet steel chimney connector, minimum 24 gauge in thickness, with a ventilated thimble, minimum 24 gauge in thickness, having two 1 inch (25.4 mm) air channels, separated from combustibles by a minimum of 6 inches (152 mm) of glass fiber insulation. Opening shall be covered, and thimble supported with a sheet steel support, minimum 24 gauge in thickness.

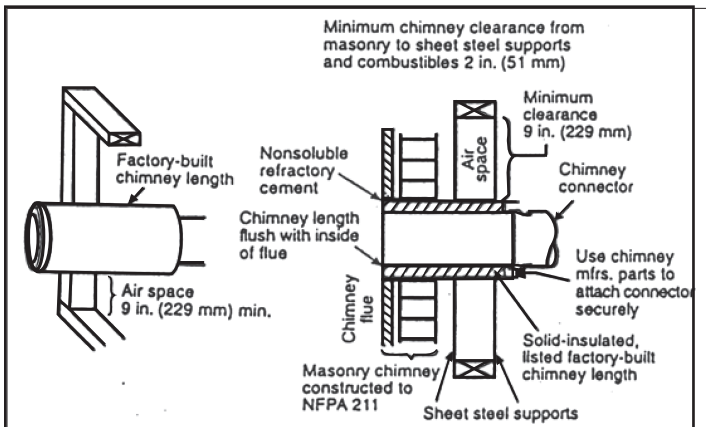


Figure 8 (US ONLY)

Insulated Sleeve: Solid-insulated, listed factory-built chimney length of the same inside diameter as the chimney connector and having 1 inch (25.4 mm) or more of insulation with a minimum 9 inch (229 mm) air space between the outer wall of the chimney length and combustibles.

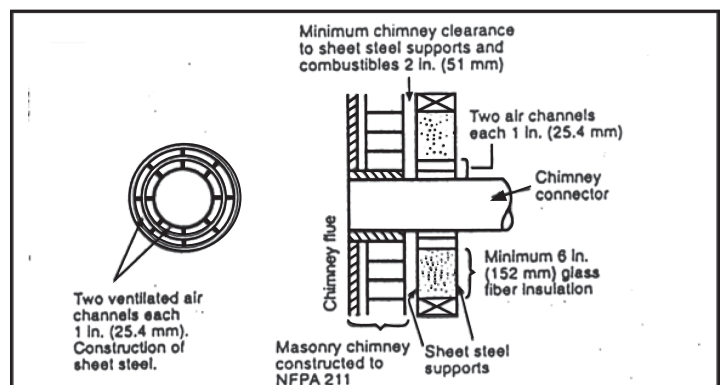


Figure 10 (US ONLY)

Chimney Section Pass-through: Solid insulated, listed factory-built chimney length with an inside diameter 2 inches (51 mm) larger than the chimney connector and having 1 inch (25.4 mm) or more of insulation, serving as a pass-through for a single wall sheet steel chimney connector of minimum 24 gauge thickness, with a minimum 2 inches (51 mm) of air space between the outer wall of chimney section and combustibles. Minimum length of chimney section shall be 12 inches (305 mm) chimney section spaced 1 inch (25.4 mm) away from connector using sheet steel support plates on both ends of chimney section. Opening shall be covered, and chimney section supported on both sides with sheet steel support securely fastened to wall surfaces of minimum 24 gauge thickness. Fasteners used to secure chimney section shall not penetrate chimney flue liner.

ADDITIONAL MOBILE HOME REQUIREMENTS

⚠ WARNING: DO NOT INSTALL IN SLEEPING ROOM.

PARTS & MATERIALS REQUIRED (NOT SUPPLIED)

- A 80mm diameter chimney which complies to UL 103, Standard for Factory-Built Chimneys for Residential Type and Building Heating Appliances.
- Ceiling thimble suitable for use in mobile home.
- Roof thimble suitable for use in mobile home.
- Spark arrestor suitable for use in mobile home.
- Roof flashing suitable for use in mobile home.

ADDITIONAL INSTALLATION REQUIREMENTS

- The chimney shall attach directly to the room heater and shall extend at least 3 feet (0.9 m) above the part of the roof through which it passes.
- The top of the chimney is to be at least 2 feet (0.6 m) above the highest required elevation of any part of the mobile home within 10 feet (3 m) of the chimney.
- All roof-chimney terminations shall be able to be readily removed at or below an elevation of 13½ feet (4.1 m) above ground level and reinstalled without the use of special tools or instructions.
- The chimney assembly shall be provided with a mechanical securement means to secure the chimney to the ceiling support box.
- Chimney Guard Requirements:
 - When the chimney exits the mobile home at a location other than through the roof, and exits at a point 7 feet (2.1 m) or less above the ground level on which the mobile home is positioned, a guard or method of enclosing the chimney shall be provided at the point of exit for a height up to 7 feet.
 - The chimney guard shall not have any openings large enough that a 3/4 inch diameter rod can enter.
 - The chimney guard shall not have any openings large enough that a 1/2 inch diameter rod can enter beyond 4 inches
- The stove must be on installed on a level surface which can support the weight of the stove.
- The stove must be bolted to the level surface so that it permanently secured and can not be moved, tipped, or have ventilation seals compromised.
- The stove must be provided a permanently ducted source of outside air to support combustion which meets the following requirements:
 - The duct must be made of metal exclusively, not other materials such as plastic.

- The end of this duct must be equipped with a screen which prevents rodents from infiltrating.
 - The end of this duct must be kept free of leaves, snow, ice, or other debris that could restrict air supply when the appliance is in operation.
- The joints of any and all connections for both of ventilation systems (the inlet air and the combustion exhaust) must be sealed with high temperature silicone.
 - The chimney must comply with all applicable codes and requirements of the authority having jurisdiction.
 - The chimney must be removed for any mobile home transportation, and reinstalled abiding all requirements after transportation.

The flue system is based on negative pressure in the combustion chamber and a slight overpressure on the flue gas outlet. It is therefore important that the flue gas connection is fitted correctly and is airtight.

⚠ CAUTION: THE STRUCTURAL INTEGRITY OF THE MOBILE HOME FLOOR, WALL, CEILING, AND ROOF MUST BE MAINTAINED.

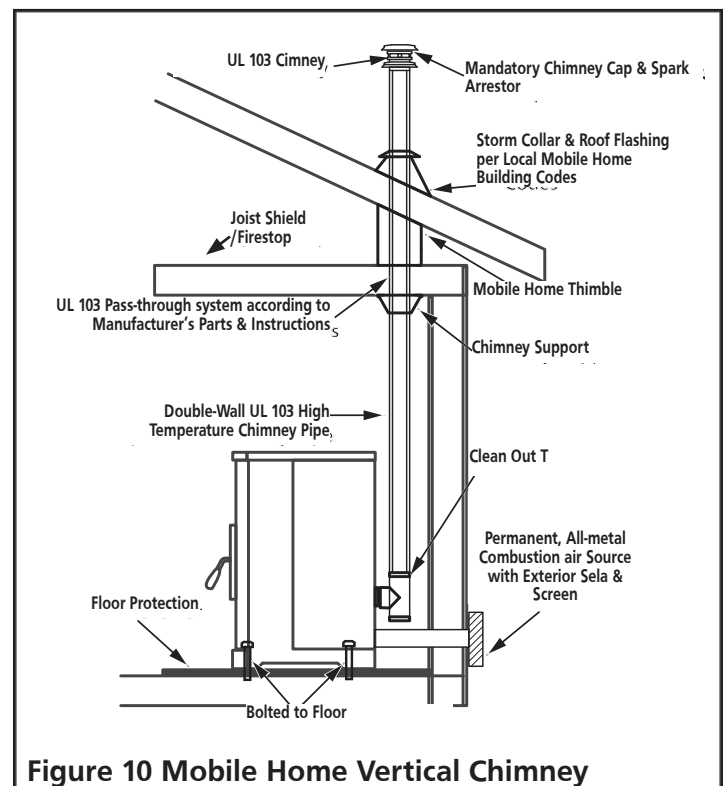


Figure 10 Mobile Home Vertical Chimney LINED MASONRY CHIMNEY INSTRUCTIONS & DIAGRAM

This stove is designed to be vented through a masonry chimney which conforms to local building codes, fire codes, and latest edition of NFPA 211 US or CAN/CSA-B365.

1. If the connection piping from the stove to a masonry chimney is made through a combustible wall, consult a qualified mason or chimney dealer for consultation. To ensure safety, the installation should only be done by a qualified installer. The installation must conform to the regulations established by local fire codes and building codes
2. The chimney connection must not be obstructed by the chimney connector pipes, such as the figure 12 below illustrates.

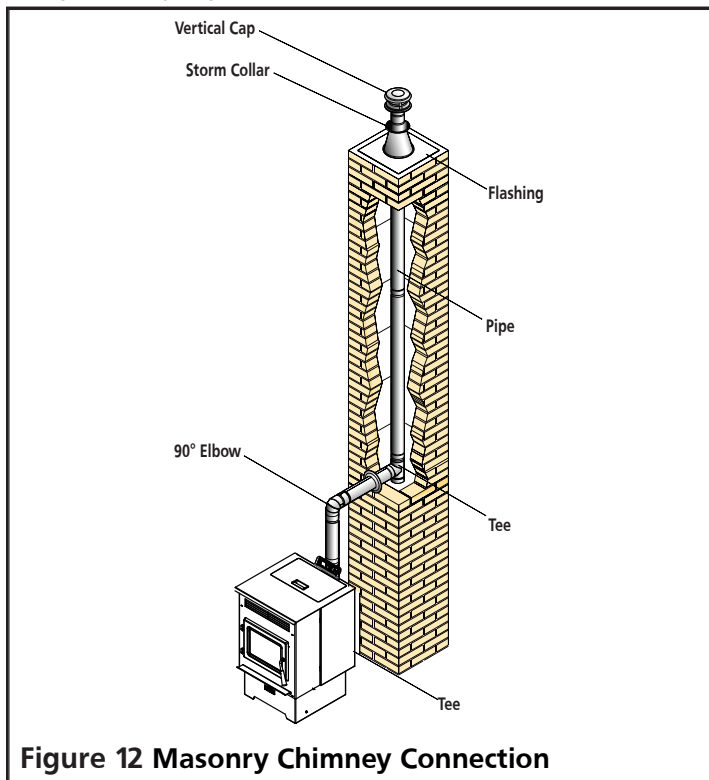


Figure 12 Masonry Chimney Connection

3. If there is an opening at the base of the chimney it must be closed tightly.

MANUFACTURED CHIMNEY INSTRUCTIONS & DIAGRAM

⚠ WARNING: DO NOT USE SINGLE-WALL CONNECTION PIPE AS A CHIMNEY.

This stove is designed to be used with either a UL 103HT (US)/ULC-S629 (CAN) listed manufactured chimney or an approved lined masonry chimney. Not all manufactured chimneys are UL103 HT/ULC-S629 listed. Home centers, hardware stores, HVAC supply stores, and the Online websites of chimney manufacturers will be able to provide stove pipe that is rated to these standards.

This listing indicates that the Chimney is rated for high temperatures up to 2100° F (1149° C).

Only use components that all come from the same manufacturer. Do not mix brands of components for the same ventilation system.

Cleveland Iron Works Wood Pellet Fire Stove

The following figures illustrate various methods and requirements of using a manufactured chimney and connection pipes to vent the stove.

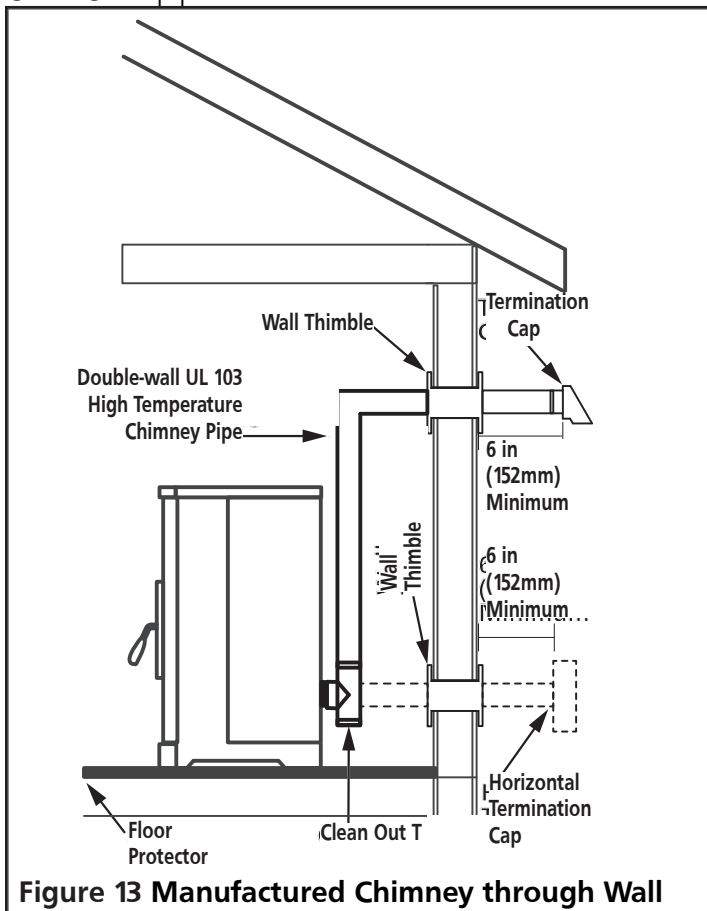


Figure 13 Manufactured Chimney through Wall

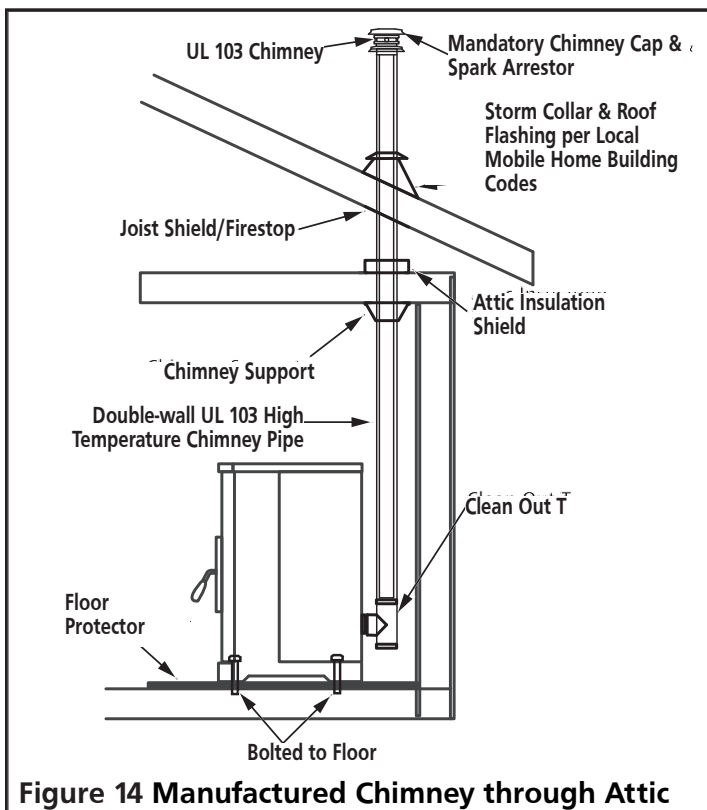


Figure 14 Manufactured Chimney through Attic

OPERATION

THEORY OF OPERATION

1. Combustion occurs in the fire pot, supported by air introduced to and under the fire pot. Note that some air blows in from the top of the combustion chamber; this helps keep ash and debris from accumulating on the door.
2. The exhaust blower draws combustion products from the stove and directs it out user-installed venting.
3. The auger transfers pellets from the hopper to the fire pot to sustain the fire.
4. A convection blower propagates air along the outside of the fire box, circulating warm and clean air into the room.

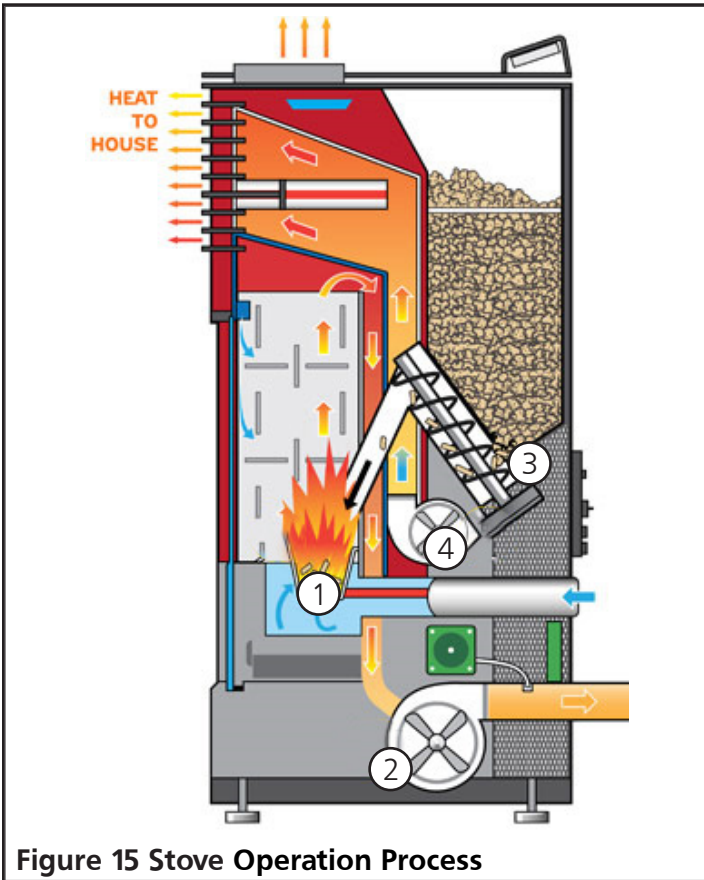


Figure 15 Stove Operation Process

APPROVED FUEL:

Do not use less than PFI premium-grade pellets. Use 100% natural hardwood pellets, untreated and without bonding agents added (max bark proportion of 5%) are the only fuel approved for use with this pellet stove. For best results see the specifications below:

- Calorific Value of 5.3 kWh/kg
- Density of 700 kg/m³
- The pellets should be low ash (less than 1 % ash)
- The pellets should be less than 30mm long, with a diameter between 5 and 6.5 mm.
- Do not use the pellet sediment & debris at the bottom of the pellet container.

Cleveland Iron Works Wood Pellet Fire Stove

- Store pellets in sacks, made of environmentally neutral or biologically degradable plastic or from paper (2-3 layers / similar to cement packaging).

Use of wood pellets that do not meet these specifications may result in ignition difficulty, accelerated creosote or flyash build up, incomplete combustion, low heat yield, and blackening of the glass in the door.

⚠ CAUTION: DO NOT USE CHEMICALS OR FLUIDS TO START THE FIRE.

⚠ CAUTION: DO NOT BURN GARBAGE OR FLAMMABLE FLUIDS SUCH AS GASOLINE, NAPHTHA OR ENGINE OIL.

⚠ CAUTION: NEVER ATTEMPT TO USE ANY OF THE FOLLOWING MATERIALS AS FUEL:

- Paper products, cardboard, or particleboard;
- Garbage;
- Animal remains or manure;
- Lawn clippings or yard waste;
- Waste petroleum products;
- Coal;
- Construction or demolition debris;
- Railroad ties or pressure-treated wood;
- Materials containing
 - asbestos
 - plastic
 - rubber (including tires)
- Petroleum products such as
 - paints
 - paint thinners
 - asphalt products

BURNING THESE MATERIALS MAY RESULT IN RELEASE OF TOXIC FUMES OR RENDER THE HEATER INEFFECTIVE AND CAUSE SMOKE

Do not store wood pellet fuel or other fire starting materials on floor protector, underneath stovepipe, or anywhere within minimum clearances from combustibile surfaces specified on page 6.

Wood pellet fuel should be stored in a dry, well ventilated area.

⚠ CAUTION: DO NOT store unused pellets in the stove for future use as they may collect moisture. Using wet or damp pellets may result in ignition difficulty, incomplete combustion, and the potential for a hopper fire.

OPERATING PRECAUTIONS

⚠ WARNING: HOT WHILE IN OPERATION. DO NOT TOUCH THE STOVE. KEEP CHILDREN, CLOTHING AND FURNITURE AWAY. CONTACT MAY CAUSE SKIN BURNS.

⚠ CAUTION: ENSURE THAT THE FIREPOT AND THE PAN UNDERNEATH ARE CLEAN AND IN THE PROPER OPERATING POSITION BEFORE USING THE STOVE.

⚠ WARNING: NEVER USE GASOLINE, GASOLINE-TYPE LANTERN FUEL, KEROSENE, CHARCOAL LIGHTER FLUID, OR SIMILAR LIQUIDS TO START OR 'FRESHEN UP' A FIRE IN THIS HEATER. KEEP ALL SUCH LIQUIDS WELL AWAY FROM THE HEATER WHILE IT IS IN USE.

PAINT CURING

To allow the paint to bond durably to the stove, start by running the stove on P1 High Power for at least 60 minutes. Provide cross ventilation to eliminate odors or smoke cause by this curing process.

OPERATING PROCEDURE: TURN ON STOVE

NOTE: If the display screen indicates that the stove is "Switching Off" the stove can not be interrupted. The Display Message will highlight to indicate that the state will not be changed. Only once the "Switching Off" cycle has finished and the exchanger has cooled can the stove be turned back on again.

1. Plug power cord into socket on the rear bottom of stove and press the red ON/OFF toggle switch above it to ON. See Figure 16.

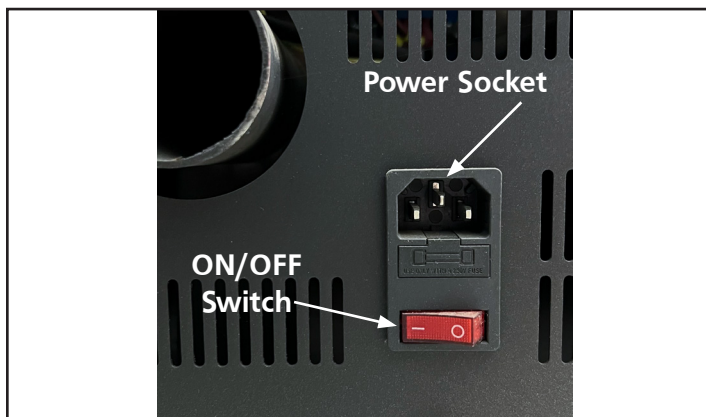



Figure 16 Power Socket/ON/OFF Switch

NOTE: TO PREVENT STOVE FROM BEING OPERATED, TURN OFF RED POWER SWITCH ON BOTTOM, REAR OF STOVE.

2. Make sure that seals on the ash drawer and door are in good condition. If the stove has never been run before, add a handful of pellets directly to the firepot. Close the ash drawer and doors securely, and check that all side panels are all properly installed.

NOTE: DO NOT USE GRATES, IRONS, OR ANY OTHER METHODS OF SUPPORTING WOOD PELLET FUEL. ONLY THE FIREPOT SPECIFIC TO YOUR MODEL OF STOVE MAY BE USED.

3. Open the hopper. Ensure that there are a sufficient number of pellets to satisfy your heating requirements. Close the hopper.

4. Depress the power button  for 3 seconds. The stove will begin to automatically progress through the following stages:

- Cleaning Cycle: The firepot draws dust, ash, & remnants out.
- Feeding Cycle: Pellets will be transported from the Pellet Hopper into the fire pot by the auger. This can take 5 to 15 minutes depending on the model of stove.
- Lighting Cycle: The electrically powered hot surface igniter will run the entire lighting cycle and for a couple minutes after the stove reaches stabilizing and begin combustion of the pellets in the firepot. The heater will remain in the Lighting Cycle until the exhaust smoke reaches a designated temperature.
- Stabilization Cycle: The heater adjusts to fine tune the stove output to the desired temperature. Stabilizing will continue until the stove reaches the thermostat desired temperature.

5. The stove has been successfully turned on.

OPERATING PROCEDURE: TURN OFF STOVE

NOTE: THE STOVE MAY BE TURNED OFF, REGARDLESS OF WHAT CYCLE THE DISPLAY SCREEN INDICATES THAT THE STOVE IS IN, BY DEPRESSING AND HOLDING THE POWER BUTTON FOR TWO SECONDS. ONCE THE DISPLAY SCREEN INDICATES THAT THE STOVE IS IN THE STABILIZATION CYCLE PRESS THE POWER BUTTON AGAIN. THE STOVE WILL ENTER THE COOLING CYCLE, STATED ON THE DISPLAY SCREEN.

⚠ CAUTION: AFTER THE COOLING CYCLE THE STOVE AUTOMATICALLY BEGINS THE PROCESS OF CYCLING ON.

1. Depress the power button for 3 seconds. The stove will begin to automatically progress through the following stages:

- Switching Off: Any remaining fuel in the firepot will continue to burn and produce heat and flame. After 5 to 8 minutes the firepot ought to be devoid of fuel. The heat exchanger may then begin to cool off.
- Goodbye: The final message from the display screen to designate that the stove has cooled.

2. The stove has been successfully turned off.

OPERATION WITH AN ELECTRICAL GENERATOR

This stove is designed to have the option of being powered by an electrical generator, though not all electrical generator's may be compatible with this stove. Consult the information regarding your generator's electrical regulator and make sure that it meets the electrical requirements of this stove, as stated on page 3.

MINIMIZING CREOSOTE FORMATION

See "MAINTENANCE" on page 20 for an explanation of Creosote formation and removal. To slow the build up of creosote within your chimney burn only the recommended fuel, see page 14.

DISPOSAL OF ASHES











⚠ CAUTION: EMBERS MAY BE OBSCURED BY ASH. HANDLE ASH WITH TOOLS SUFFICIENT FOR FIRE TENDING, NEVER DIRECTLY WITH YOUR HANDS. WEAR FIRE RETARDANT CLOTHING AND PROTECTIVE EYEWARE.

Ashes should be placed in a metal container with a tight fitting lid.

1. Other waste shall not be placed in ash containers.
2. The closed container of ashes should be placed on a noncombustible floor or on the ground, well away from all combustible materials, pending final disposal.
3. Wood mineral residue (approximately 1-2%) remains in the ash and is an excellent natural fertilizer product for all garden plants. Before disposing ashes of by burial in soil or otherwise locally dispersed, they should be retained in the closed container until all any and all cinders have thoroughly cooled and should also be "quenched" with water.

Remote Button Functionality:

The buttons on the remote controller affect the stoves operation in the same way that the mounted button do, explained below:

Remote Controller Button	Mounted Button Counterpart
	
	
	
	
	

Note: There are no lights or display screen on the remote controller that can indicate to you that the button presses are being received by the stove. In order to remotely control the stove but also monitor its settings, try installing the Smart Stove app.

SMART STOVE WIFI CONNECTION

This stove can be monitored, controlled, and programmed by using the smart stove app by NHHATC which is available for iOS or android device through the app store.

- Step 1. Download the Smart Stove app by NHHATC.
- Step 2. Open the Smart Stove app. The app opens, by default, to the "Register" screen. Click on the "Register" button.
- Step 3. Enter your email address in the "Email" field and click the "Get Verification Code" button.
- Step 4. Enter the verification code that was emailed to you in the "Enter Verification Code" field.
- Step 5. Now you can set a unique password for your device in the "Set Password" field and hit the "Done" button.
- Step 6. If you have no other wifi enabled devices already added to this app there will be a large "Add Device" button in the center of the screen which you can select. Otherwise, select the + symbol in the top right of the screen.
- Step 7. Make sure that your device is connected to the wifi network which you want the stove to be connected to.
- Step 8. Make sure that the wood pellet fire stove is plugged into an electrical outlet and can be powered on.

Step 9. Follow the directions on the screen by pressing and holding the connection button for 3 seconds on the rear of the display panel as illustrated in the figure below. Once you observe the desired blinking pattern on the indicator light, press the confirmation button at the bottom of the screen.

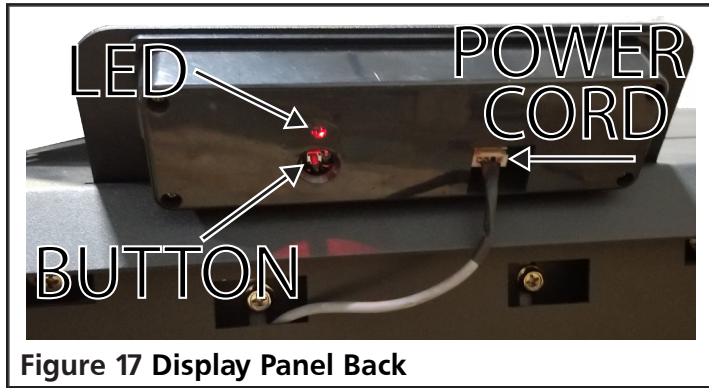


Figure 17 Display Panel Back

- Step 10. Enter the password for the wifi network so that the stove can connect to the wifi network.
- Step 11. The stove will begin pairing with the device running the application through the wifi network. This process may take a few minutes.
- Step 12. After the device and stove are paired, you will be able to see the pellet stove as a connection option on the “Devices” tab at the bottom of the app screen.
- Step 13. On your device, go to your device’s wifi settings which will now include the stove as an option. Select the stove as your wifi connection.
- Step 14. Open the Smart Stove phone app again.
- Step 15. You may now select this stove from this added devices list in order to monitor, control, and program the stoves operation.

WIFI CONTROLS

Once connected to the stove (See step 13 of Wifi Connection) you can remotely monitor and adjust the operation of the stove. See below for explanation:

- Device Name: it is possible to rename the stove, so that if you have multiple stoves set up for operation you can more easily differentiate between while using the smart stove application.
- Device Sharing: it is possible to share connection to the stove with other devices via SMS or email. (con’t on page 19)

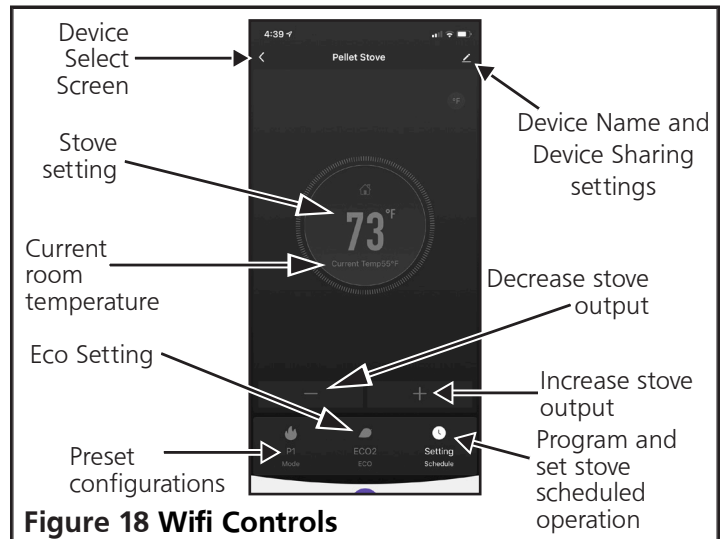
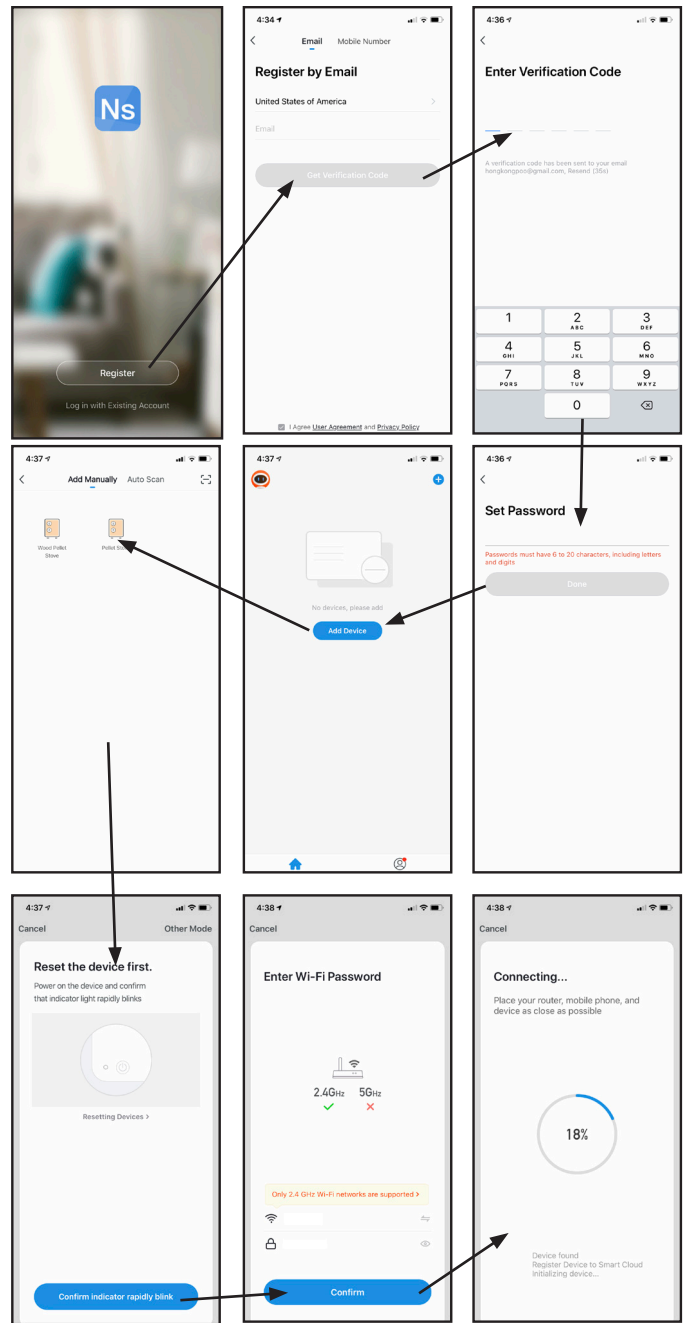


Figure 18 Wifi Controls

PS60W, PS130W, AND PSBF66W MULTI FUNCTION CONTROLS

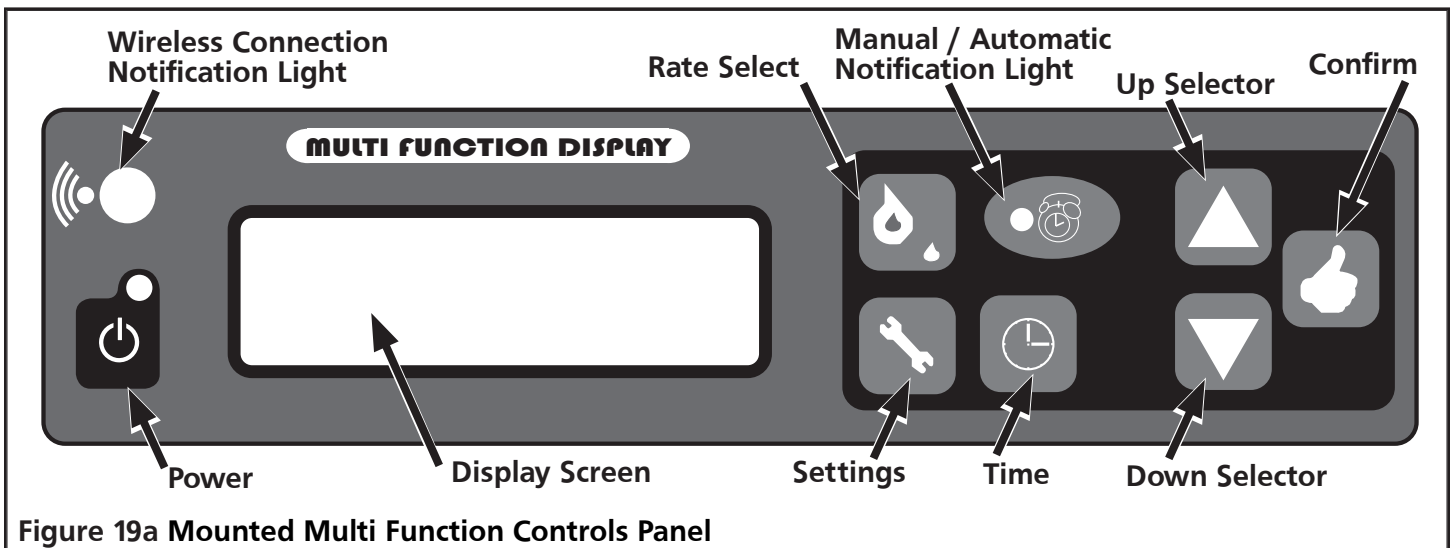


Figure 19a Mounted Multi Function Controls Panel

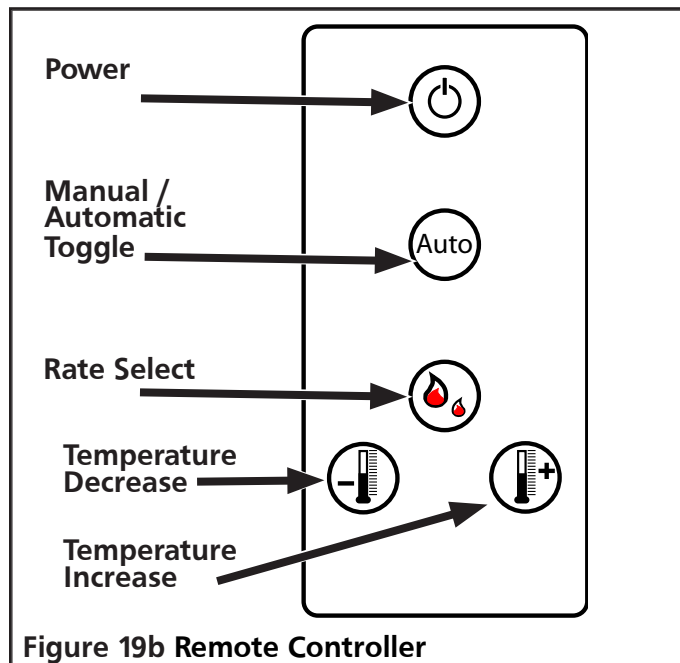









Figure 19b Remote Controller

Mounted Button Functionality: Normal Operation



- The light illuminates when the stove is plugged into an electrical supply.
- Press the power button to turn the display on for the purpose of adjusting settings. The screen will become dim after 10 seconds on inactivity.
- Press and hold the power button for 3 seconds to begin stove heating if the stove was off.
- Press and hold the power button for 3 seconds to begin stove shut off if the stove was on.

CAUTION: The manufacturer has programmed preset rates to ensure proper operation. It is not advised to reprogram rate settings.

	<p>Press to cycle between temperature reports (in Fahrenheit) display in the top right of the multi function display screen:</p> <ul style="list-style-type: none"> • ##(R): Room temperature • ##(S): Exhaust temperature • ##(P): Protection Temperature Sensor
	<p>Press to increase the temperature which the stove is intended to heat the room to. This value is displayed in the top right of the multi function display screen as ##°F.</p>
	<p>Press to decrease the temperature which the stove is intended to heat the room to. This value is displayed in the top right of the multi function display screen as ##°F.</p>
	<p>Press to toggle the stove between manual control and programmed control. If the stove is in the program controlled setting then the notification light  will be illuminated.</p>
	<p>Pressing the rate select will toggle between four configurable heating presets. The currently set preset is available in the top middle of the multi function display screen as P#.</p> <ul style="list-style-type: none"> • P1 [Maximum Power] Settings • P2 [Medium Power] Settings • P3 [Low Power] Settings • P4 [Minimum Power] Settings
	<ul style="list-style-type: none"> • Press and hold the settings button for 2 seconds to enter the set up menu. • Press the settings button at any time to exit the set up menu.

- Eco Mode: There are two ECO settings which can be selected which will conserve wood pellets while maintaining the desired temperature. Pressing the ECO button will allow you to toggle whether a specific eco setting is enabled, or to turn off the feature entirely.
 - ECO 1: The stove shuts off when the desired temperature has been reached. The stove will turn back once the room cools to a factory set temperature.
 - ECO 2: The stove turns to minimum power preset P4 when the desired temperature has been reached. The stove will turn on to higher power settings once the room cools to a factory set temperature.
- Preset configurations: There are four selectable configurations which adjust the speeds of the combustion fan and the room air circulation fan. Pressing the preset configuration button will allow you to toggle whether a specific preset configuration is enabled, or to turn off the feature entirely.
 - P1 [Maximum Power] Settings
 - P2 [Medium Power] Settings
 - P3 [Low Power] Settings
 - P4 [Minimum Power] Settings

MANUAL STOVE OPERATION

TO ADJUST THE AUGER (PELLET DROP RATE)

1. Cycle using the Rate Select button between settings P1, P2, P3, P4. Rates are outlined below:

P1: [Maximum] pellet drop rate

P2: [Medium] pellet drop rate

P3: [Low] pellet drop rate

P4: [Minimum] pellet drop rate

Note: If necessary, press and hold the "Time" button for 2-5 seconds to get the auger to spin.

TO ADJUST THE FANS

1. Press and hold the Settings button for 2 seconds.
2. Press the Confirm button to cycle to each of the Pellet Drop Rate Settings.
3. Adjust the "S" for Venting Fan and "F" for blower fan settings using the Up and Down Selector buttons.
4. Use the Time button to switch between "S" and "F" Note: the lower the setting, the slower the fan. Only change settings by a few numbers at a time.
5. Press the Settings button to go back to home screen.

TO CHANGE THE TIME (RUNS ON 24-HOUR CLOCK)

1. Press and hold the Settings button for 2 seconds.
2. Press the Confirm button to cycle to Modify Clock.
3. Use the Time button to switch between hours and minutes.
4. Use the Up and Down Selector buttons to change the current selection.
5. Press the Settings button to go back to home.

TO PROGRAM AUTOMATIC ON/OFF

1. Press and hold the Settings button for 2 seconds.
2. Cycle through the settings using the Confirm button until days of the week are visible.
3. Use the Time button to change between days.
4. Use the Up and Down Selector buttons to adjust if you want the stove ON/OFF each day.

Note: Tall box is for ON; Short box is for OFF.

Note: Each box represents an hour of the day over a 24 hour period. The first box is 00:00 (Midnight) and the last box is 23:00 (11 PM).

5. Press the Settings button to go back to home.

CHANGING ECO MODES

1. Press and hold the Settings button until stove beeps.
2. Press (do not hold) the Confirm button seven times to cycle to the screen that reads "Eco Mode."
3. Press the Time button to switch between the selected Eco Modes.
4. Press the Settings button to go back to home screen.







ECO 1 MODE

ECO 1: The stove shuts off when the desired temperature has been reached. The stove will turn back on once the room cools to a factory set temperature.

ECO 2 MODE

ECO 2: The stove turns to minimum power preset P4 when the desired temperature has been reached. The stove will turn on to higher power settings once the room cools to a factory set temperature.

CONTROL KEY

	CONFIRM
	UP SELECTOR
	DOWN SELECTOR
	TIME
	RATE SELECT
	SETTINGS

MAINTENANCE

This wood heater needs periodic inspection and repair for proper operation. It is against federal regulations to operate this wood heater in a manner inconsistent with operating instructions in this manual.

⚠ CAUTION: TURN OFF AND UNPLUG THE STOVE FROM ANY SOURCE OF ELECTRICAL POWER TO UNIT BEFORE PERFORMING ANY MAINTENANCE OR SERVICE OPERATIONS.

⚠ CAUTION: ALLOW STOVE TO COOL DOWN BEFORE PERFORMING ANY MAINTENANCE OR SERVICE OPERATIONS.

⚠ CAUTION: DURING ANY ASSEMBLY OR DISASSEMBLY, BE WARY TO NOT DROP ANY ITEMS (SCREWS, ETC.) INTO THE PELLET HOPPER. DEBRIS CAN JAM THE AUGER AND DAMAGE THE STOVE.

The frequency which your stove's requires cleaning and maintenance depends on the fuel that you use. High moisture, ash, dust, and chips can more than double the necessary maintenance. Use only the tested and recommended wooden pellets fuel.

Clean the fire pot and fire pan every day, before using the stove and while the stove is cooled down, the stove is unplugged, and there are no embers. Use a vacuum cleaner to remove ash and debris from the fire pot, and then lift the fire pot to also clean the fire pan. It is important that ash or debris does not block any air openings.

A general cleaning schedule is as follows:

- Fire Pot: After 10 bags of wood pellets, or every day. Whichever is more frequent.
- Ash Drawer: After 50 bags of wood pellets
- Passageways: After 100 bags of wood pellets
- Blower: After 100 bags of wood pellets

IMPORTANT: Also make sure to refer to the separate Cleaning Schedule at the end of this section.

CLEANING: FIRE POT & PAN

⚠ CAUTION: IF STOVE IS INTENDED TO OPERATE CONTINUOUSLY, IT MUST BE TURNED OFF TWICE WITHIN EACH 24 HOUR PERIOD IN ORDER TO CLEAN THE FIRE POT AND FIRE PAN. ALWAYS ALLOW THE STOVE TO COOL DOWN AND ANY EMBERS TO EXTINGUISH BEFORE CLEANING THE FIRE POT AND FIRE PAN.

Make sure that you put the fire pot back onto the fire pan in the correct orientation, so that pellets can be added to the pot and successfully ignited for the next operation of the stove.

CLEANING: GLASS

⚠ WARNING: DO NOT CLEAN GLASS WHEN HOT.

Though the circulation of air across the glass reduces acidic ash build up, cleaning the glass in the stove door is still required periodically. Cleaning is necessary to prevent glass from being weakened which may increase likelihood of cracks. It is not acceptable to operate the stove with cracked or broken glass.

The best way to clean the door glass is using a damp cloth that has a smear of cool ash on it. For extra stubborn dirt, consult your local hardware store or stove specialist for a suitable cleaner.

⚠ WARNING: DO NOT CLEAN GLASS WITH ABRASIVE CLEANERS OR BY ANY OTHER PROCESS WHICH MAY SCRATCH OR DAMAGE THE GLASS.

CLEANING: OUTLET PASSAGEWAY

The outlet passageway should be cleaned at least once a year. Burning high ash pellets may require that the passageways are cleaned more frequently.



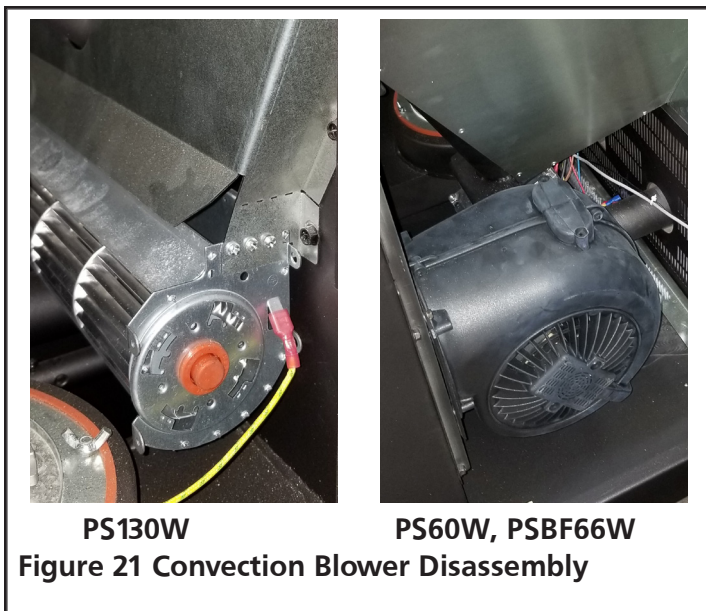
Figure 20 Outlet Duct

On each side of the stove there are two access covers that can be removed by removing the fastening screws. See Figures 21, 24 and 25. Turn off the stove, allow the stove to cool down, and unplug the stove before disassembly and cleaning. Insert a cleaning brush into the openings to loosen any ash build up and then use a vacuum cleaner to remove the loosened ash. Replace the covers and secure with the allen head screws.

There is one more opening to the outlet passageway which can be accessed by removing the ash drawer. Loosen the two 5/32" allen head screws shown in Figure 20. Rotate the covers to expose the opening. Use a cleaning brush to loosen any ash build up. Insert a cleaning brush into the openings to loosen any ash build up and then use a vacuum cleaner to remove the loosened ash. Rotate the cover back over the opening and secure with the allen screws.

CLEANING: CONVECTION BLOWER

When facing the heater, the blower motor responsible for introducing air for heating and circulation to the room is located on the right hand side. Remove or open the side panel to obtain access. Clean the convection blower as required, before using the stove and while the stove is cooled down, the stove is unplugged, and there are no embers. Take care to not damage the blower's blades during cleaning. Use a vacuum to remove any dust accumulation of the blower's blades or inside the blower duct.



PS130W PS60W, PSBF66W
Figure 21 Convection Blower Disassembly

CLEANING: EXHAUST VENT PIPE

Inspect the exhaust venting system at least once a year to determine if cleaning is necessary. During start up, shut down, and erroneous operation of the stove incomplete combustion can produce ash, soot, and creosote. To clean the exhaust venting system insert an appropriate sized cleaning brush into the pipe to loosen and remove any ash or debris build up. Build up of debris and ash can restrict the flow of gases which will affect stove performance, and failure to remove creosote may result in a dangerous chimney fire.

FLYASH - FORMATION AND NEED FOR REMOVAL

The products of combustion will contain small particles of flyash. The flyash will collect in the exhaust venting system and restrict the flow of the flue gases. Incomplete combustion, such as occurs during startup, shutdown, or incorrect operation of the room heater will lead to some soot formation which will collect in the exhaust venting system. The exhaust venting system should be inspected at least once every year to determine if cleaning is necessary. Use the appropriate sized chimney brush to remove ash and buildup from the venting.

CREOSOTE - FORMATION AND NEED FOR REMOVAL

Failure to remove creosote may result in a dangerous chimney fire.

When wood pellets burn at a low temperature they produce tar and other organic vapors, which combine with expelled moisture to form creosote. The creosote vapors condense in the relatively cool chimney flue of allow-temperature fire. As a result, creosote residue accumulates on the flue lining. When ignited this

creosote makes an extremely hot fire. The chimney connector and chimney should be inspected at least once every few months during the heating season to determine if a creosote buildup has occurred. If a significant layer of creosote has accumulated (eighth of an inch, 3 mm, or more) it should be removed to reduce the risk of a chimney fire. Use the appropriate sized chimney brush to remove ash and buildup from the venting.

Be aware that the hotter the fire the less creosote is deposited, and weekly cleaning may be necessary in mild weather even though monthly cleaning may be enough in the coldest months. Contact your local municipal or provincial fire authority for information on how to handle a chimney fire. Have a clearly understood plan to handle a chimney fire.

REPLACING: GLASS

Replacing the door glass is only permitted by replacing the entire door assembly provided by the manufacturer. See pages 32 through 34.

⚠ WARNING: SUBSTITUTING ALTERNATE MATERIAL MAY SHATTER GLASS AND CAUSE INJURY.

REPLACING: SEALING GASKETS

Over time the sealing gaskets along the glass, door, or ash drawer may lose their rigidity. These seals are essential for providing a seal which allows the stove to operate safely. Inspect the gaskets periodically, and if they become worn contact the manufacturer for information on original or equivalent gasket.

To replace the gasket:

1. Ensure that all pellets are extinguished and that the stove is cool to the touch.
2. Remove old gasket and clean the gasket gutter.
3. Apply a thin coat of high temperature gasket cement along the inside of the gasket gutter.
4. Press the beginning of the replacement gasket into the most up and most left position of the prepared gasket gutter.
5. Continue pressing the replacement gasket clockwise along the gasket gutter until it has wrapped back to where the gasket was pressed in initially.
6. Trim any excess replacement gasket away, and press the remaining end into the gutter to complete the seal.

Close the door, drawer, or ash drawer and allow 3 to 4 hours for the cement to set before operating the stove.

REPLACING: HOT SURFACE IGNITER

Ensure that the stove is off and allow it time to become cool to the touch. After gaining access to the back, undo the screw located on the back inside of the main body. Pull the hot surface igniter free, and install replacement service part. See Figure 22 and 24.

NOTE: DEPENDING ON THE MODEL OF THE STOVE, IT MAY BE NECESSARY TO REMOVE THE AUGER MOTOR IN ORDER TO SLIDE THE IGNITER OUT OF ITS HOUSING.

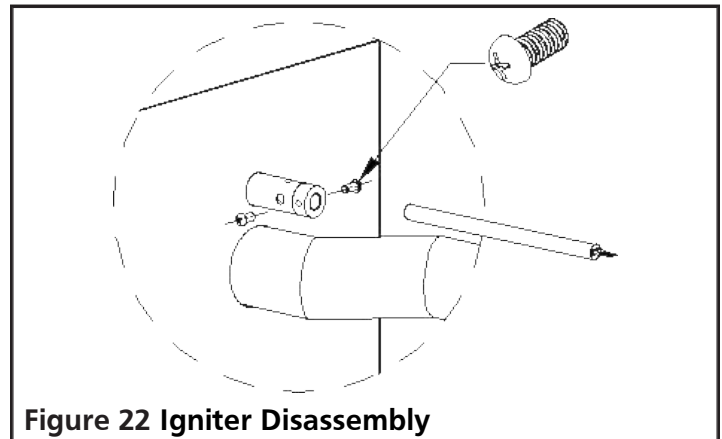


Figure 22 Igniter Disassembly

REPLACING: AUGER SYSTEM

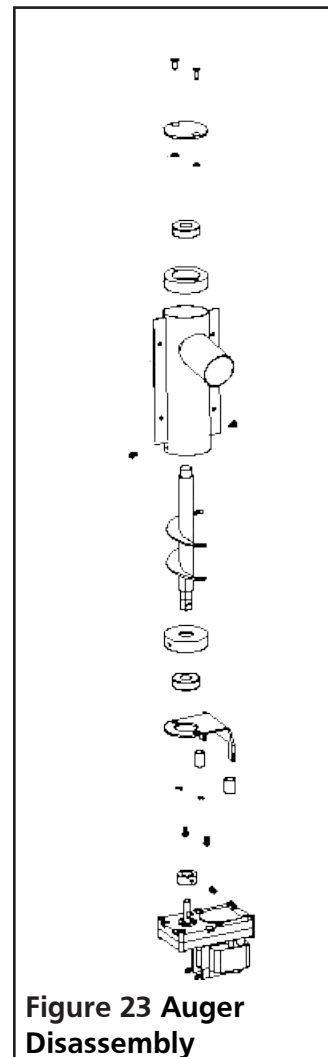


Figure 23 Auger Disassembly

Ensure that the stove is off and allow it time to become cool to the touch. After gaining access to the back, the auger can be disassembled part by part in the order indicated in Figure 23.

REMOVING BACK AND SIDE PANEL



Figure 24 PS130W Back & side disassembly

- To remove the PS130W side panels, remove the screws securing it on the rear of the heater. Then slide the panel along the side of the heater away from the front.
- To remove the PS130W rear plate, remove the 8 screws securing it at the bottom and rear of the stove.
- To remove the PS60W side panels, remove the screws securing it on the rear of the heater. Then pull the panel directly away from the heater.
- To open the side of the PSBF66W model, simply swing the side panel free of the magnetic lock.

REPLACING: HEAT EXCHANGE BLOWER

Unplug the heater. Disconnect any wiring leading to the Heat Exchange Blower. Remove the screws holding the mounting plate to the heater. Slowly remove blower and replace with new one. Replace screws and wiring.



Figure 25 PSBF66W Heat Exchange Blower

REPLACING: EXHAUST BLOWER

Unplug the heater. Disconnect any wiring leading to the Exhaust Blower. Remove the wing nuts holding the Exhaust Blower plate to the blower housing. Slowly remove blower and replace with new one. Replace wing nuts and wiring.

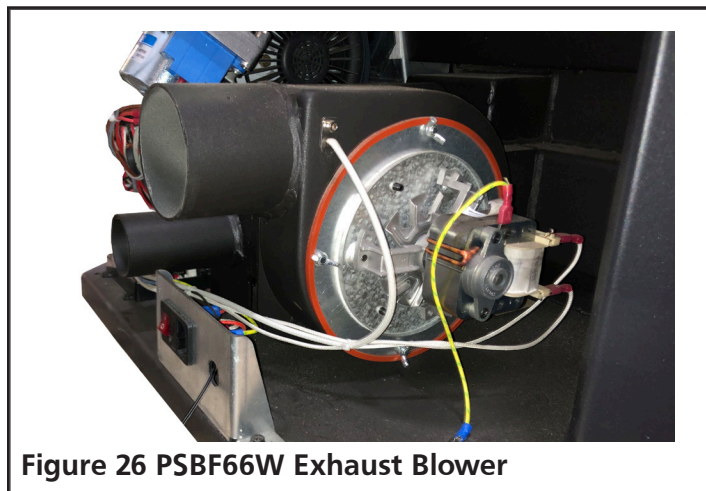


Figure 26 PSBF66W Exhaust Blower

SAFETY COMPONENTS

1. Vacuum Pressure Switch: A safety vacuum switch is located behind the left door, fastened to the base. If a low pressure is created in the firebox by a leak, opening the door to the firebox, a blocked flue, or an unsealed ash drawer then the switch will shut the stove off as a precaution. Error code E5 will appear on the display panel.
2. High Limit Thermostat: A high temperature limiter is installed on the bottom of the hopper. If this sensor is exposed to temperatures higher than 185° F then the stove is shut off.
3. Vent Pipe High Temperature Thermostat: A high temperature limiter is installed on the vent pipe. If this sensor is exposed to temperatures higher than 104° F then the circulation fan blower is switched on.
4. Vent Pipe Low Temperature Thermostat: If the stove cools below a minimum temperature the stove will switch off. This may occur when the operating procedure fails to quickly and sufficiently heat the stove.
5. Fuse: A fuse on the rear of the device protects the stove from power surges. See Figure 27.



Figure 27 Fuse

PELLET STOVE CLEANING SCHEDULE

DAILY CLEANING

Step 1:

Shut down the stove and let it cool completely.

Step 2:

Grab your ash vacuum to remove ash and debris from the firepot and surrounding area, as well as any piles of ash or debris that you see.

Step 3:

Lift up and remove firepot – be certain this area is clear of debris. Vacuum under the firepot, taking special care to vacuum the airway under the firepot.

Step 4:

Grab your cleaning tool and move to the firepot. Scrape any debris out of the firepot, making sure that all of the holes in the firepot are free from any buildup.

Step 5:

Wipe down the glass. Never clean the glass with cool water or cleaner when the glass is still warm, since this can cause the glass to crack. The method we recommend requires a damp paper towel or cloth. Dab it on to cooled ashes and then wipe down the glass starting from the top.

Step 6:

Certain models have ash drawers. It is a good idea to empty it every time you clean your stove. You can use an ash vacuum to clean the ashes out of the drawer.

Step 7:

The mini models have cleaning rods. Your cleaning rods should be used daily after the stove has cooled down. These are cleaning inside of the exhaust where ash and debris can build up. When too much build up occurs your stove will not have the proper amount of airflow.

WEEKLY CLEANING

Step 1:

Recommend letting the stove run out of pellets so the hopper is empty. Vacuum out the hopper. Clean any dust out of the hopper and inspect your auger.

Step 2:

The medium and large models have flue plates. Remove the center flue plate by sliding it up. After the center flue plate is slid up and out you can remove the left and right plates. Vacuum and brush off the flue plates, scrape away any clinkers and build-up. Check the walls behind the flue plates for any debris. Be sure to vacuum behind the flue plates as well.

Step 3:

If equipped, remove the ash drawer and vacuum out the drawer. Then brush and scrape away any slag and build up. Make sure the area under the drawer is also clean.

Step 4:

Inspect auger chute. If you notice any build-up of creosote or pellet dust, clean the chute with a wire brush.

EVERY OTHER WEEK

Go outside, and visually inspect the termination cap on the exhaust. Make sure animals are not trying to make it their home and check for any buildup of ash on the grate.

AT LEAST ONCE A MONTH

Step 1:

Use a cleaning brush to clear out the air inlet, located beneath the fire pot going towards the back of the stove; exact placement and size will vary from model to model.

Step 2:

For the Medium and Large models with the flue plates, the exhaust port is behind a flue plate, left of the firepot. Be sure to clean that with a wire brush and vacuum.

Step 3:

Use a cleaning brush to clear out the air exhaust ports in your burn chamber. The number of exhaust ports varies from model to model.

For the Mini models: There are four exhaust ports at the top of the burn chamber.

For the Bayfront models: There are two exhaust ports on the top of the burn chamber.

Verifying they are clear will ensure optimal airflow in the chamber.

EVERY TWO (2) TONS OF PELLETS, OR EVERY OTHER MONTH

Inspect the clean out tee. Remove any ash that has built up and reseal the connection if necessary.

ANNUALLY

- It is important to remove the combustion fan, use a wire brush on creosote, and vacuum debris. This is important for under the fan and on the fan itself. When you remove the combustion fan, if the gasket is torn you can remove the gasket and use red RTV high temperature silicone to make a new gasket for the fan.
- You may need to remove the pipe from the back of your stove and use a wire brush and vacuum to clean that as well.
- It may be necessary to hire a chimney sweep to clean out your venting system regularly. You must take special care with elbows as they can build up creosote more than straight pipes.
- It is also a good idea to clean your inlet duct yearly as well.


For the Mini models: It is located behind the right-hand side panel. There is an air inlet cover that must be removed, and the airway should be cleaned. If the gasket gets torn or damaged a new one can be made with red RTV.

For the Bayfront models: The airways have an opening behind the ash drawer. The ash drawer will need to be removed completely, and the covers can be removed with a 3MM Allen key. A wire brush and a vacuum can be used to clean the airways.

ERROR CODES

NOTE: IN THE EVENT OF A POWER FAILURE (ERROR CODE E7), A SMALL AMOUNT OF SMOKE MAY BE EMITTED. THIS LASTS 3 TO 5 MINUTES AND DOES NOT REPRESENT A SAFETY RISK.

⚠ CAUTION: IF OVERHEATING HAS OCCURRED (ERROR CODES E5 AND E6), THEN AN INSPECTION, MAINTENANCE, AND/OR CLEANING MUST OCCUR BEFORE THE STOVE CAN SAFELY BE OPERATED AGAIN.

After following the suggested solution steps, press the confirm button  to clear the error code from the error code from the multi function display screen. Then go through the operation procedure specified on page 15 to restart the heater.

ERROR CODE	CAUSE	SOLUTION
E1	Exhaust temperature is below 40 - 45 °C Operation has been interrupted and the fire has been discontinued.	<ol style="list-style-type: none"> 1. Check that the pellet hopper has fuel. 2. Check that the auger motor is not damaged and is able to fill the firepot with fuel.
E2	Failure to ignite the fuel in fire pot.	<ol style="list-style-type: none"> 1. Check that there are no "clinkers" (glass like lumps of various sizes formed by debris exposed to high heat, more common when using low quality fuel) in fire pot. 2. Check that the firepot is sitting in the holder correctly and that the igniter is not obstructed. 3. Check that the exhaust gas temperature sensor switch, beside the combustion fan, is not broken. 4. Check that the igniter is not broken.
E5	Low pressure detected at the vacuum switch (refer to exploded view).	<ol style="list-style-type: none"> 1. Check that the door, and ash drawer if present, has been closed properly. 2. Check that there is nothing obstructing the exhaust duct nor that the duct is leaking. 3. Check that the combustion fan is not broken.
E6	Failure at the high temperature sensor (located below the pellet hopper).	<ol style="list-style-type: none"> 1. Check that the switch is not broken. 2. The temperature of the sensor is too high. The stove is not running properly. Call customer service.
E7	Power failure.	Press the Confirm button to clear the error code. Then restart the stove. You may chose to skip directly into the stabilization cycle by depressing and holding the rate selector button for 3 seconds.
ESC1	Short circuit at temperature sensor #1 (Exhaust)	<ol style="list-style-type: none"> 1. Check wires and connection points. 2. Contact Tech Support for assistance.
ESO1	Open circuit at temperature sensor #1	<ol style="list-style-type: none"> 1. Check wires and connection points. 2. Contact Tech Support for assistance.
ESC2	Short circuit at sensor #2, hopper temperature	<ol style="list-style-type: none"> 1. Check wires and connection points. 2. Contact Tech Support for assistance.

ERROR CODES CONTINUED

ESO2	Open circuit at temperature sensor #2	<ol style="list-style-type: none"> 1. Check wires and connection points. 2. Contact Tech Support for assistance.
ESC3	Short circuit at room temperature sensor (#3)	<ol style="list-style-type: none"> 1. Check wires and connection points. 2. Contact Tech Support for assistance.
ESO3	Open circuit at temperature sensor #3	<ol style="list-style-type: none"> 1. Check wires and connection points. 2. Contact Tech Support for assistance.

TROUBLESHOOTING

SYMPTOM	CAUSE	SOLUTION
Heater does not turn on.	Power Switch turned off.	Turn on power switch.
	Power Cord disconnected.	<ol style="list-style-type: none"> 1. Press power cord tightly into the heater 2. Ensure that the wall socket is delivering 120 Volts.
	Fuse is blown.	Replace the fuse.
The blower does not turn on during Cleaning Cycle, Feeding Cycle, or Lighting Cycle.	This is normal.	There is no problem, the blower does not turn on until the stabilization cycle.
The blower does not turn on during Stabilization Cycle.	No power in stove or in control panel.	Check the power and wires.
	Mother board disconnected.	Make sure all terminals to mother board are connected.
	Low Temperature sensor is broken.	Replace the low temperature sensor.
During operation, including the Lighting phase, the auger is not filling the firepot with pellets.	No fuel in Pellet Hopper.	Add Fuel to Pellet Hopper.
	Auger is blocked, jammed, or disconnected.	<ol style="list-style-type: none"> 1. Unplug the unit so that it will not start suddenly and then unblock the auger. 2. Check that the auger is not blocked. If it is blocked, remove the cause of the jamming. 3. Check that the auger screw fastening the auger to the motor is secure.
Too much fuel in the firepot. The fuel can not be completely and thoroughly burned.	The feeding speed is faster than what combustion can support.	<ol style="list-style-type: none"> 1. Increase the fan's speed to increase the rate of combustion.

TROUBLESHOOTING CONTINUED

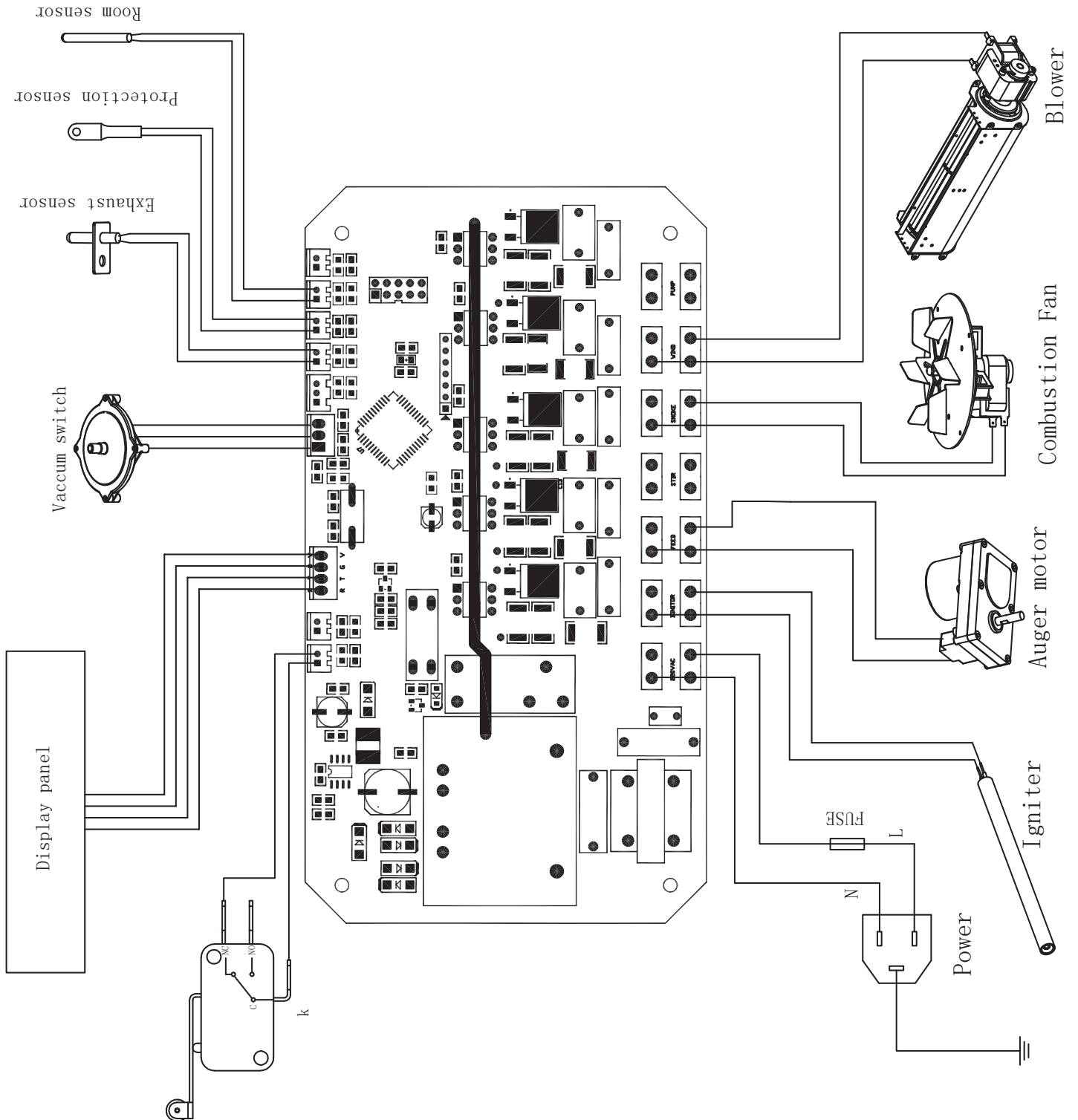
SYMPTOM	CAUSE	SOLUTION
Not enough fuel in the firepot.	The feeding speed is too low to support the rate of combustion.	1. Decrease the fan's speed to decrease the rate of combustion.
After the fire has started, the stove turns off 15 minutes later.	The pellet hopper is low on fuel.	Check that the pellet hopper has a sufficient amount of fuel.
	The auger is not operating.	1. Unplug the unit so that it will not start suddenly and then unblock the auger. 2. Check that the auger is not blocked. If it is blocked, remove the cause of the jamming. 3. Check that the auger screw fastening the auger to the motor is secure.
	The 30 ° C temperature switch has triggered.	1. Check that wires to the switch are sufficiently connected. 2. Replace the 30 ° C temperature switch.
	The pressure switch inside the stove is broken.	Replace the pressure switch.
Orange flame, pellets piling up in firepot, carbon residue forming on glass.	Insufficient air for sufficient combustion.	1. Check that the air inlet vent in the front is open. 2. Check that the door and window gaskets are intact. 3. Check if the air inlet ducting and the combustion exhaust ducting are blocked. 4. Increase the cross sectional area of the ducting. 5. Increase the fan's speed to increase the rate of combustion. 6. Contact the manufacturer for assistance.
The fire extinguishes and the power shuts off.	No fuel in Pellet Hopper.	Add Fuel to Pellet Hopper.
	Auger is blocked or jammed or disconnected.	1. Unplug the unit so that it will not start suddenly and then unblock the auger. 2. Check that the auger is not blocked. If it is blocked, remove the cause of the jamming. 3. Check that the auger screw fastening the auger to the motor is secure.
	The feeding speed is too low to support the rate of combustion.	1. Decrease the fan's speed to decrease the rate of combustion.
	The 30 ° C temperature switch has triggered.	1. Check that wires to the switch are sufficiently connected. 2. Replace the 30 ° C temperature switch.

TROUBLESHOOTING CONTINUED

SYMPTOM	CAUSE	SOLUTION
The fire extinguishes and the power shuts off (continued).	Requested temperature has been reached.	This is normal "ECO" mode behavior. The stove will automatically switch on once the ambient room temperature drops below the temperature that the stove is set to maintain.
The circulation blower continues to operate after the stove is cool and the fuel consumption has ceased.	The 30 ° C temperature switch has triggered.	<ol style="list-style-type: none"> 1. Check that wires to the switch are sufficiently connected. 2. Replace the 30 ° C temperature switch.
The stove is not circulating a sufficient volume of sufficiently hot air.	The fuel is inadequate.	Use pellet fuel specified by this manual.
	The circulating blower is set too slow or is compromised.	<ol style="list-style-type: none"> 1. If the blower is broken, change out the blower 2. If the mother board which connects to the blower is broken, change out the mother board.
	Heat exchange tubes or flue pass is dirty.	Clean the heat exchanger tubes or flue pass.

WIRING DIAGRAM

NOTE: IF ANY OF THE ORIGINAL WIRE AS SUPPLIED WITH THE APPLIANCE MUST BE REPLACED, IT MUST BE REPLACED WITH WIRING MATERIAL HAVING A TEMPERATURE RATING OF AT LEAST 105 C AND RATED FOR 600V



SERVICE PARTS MODEL PS60W

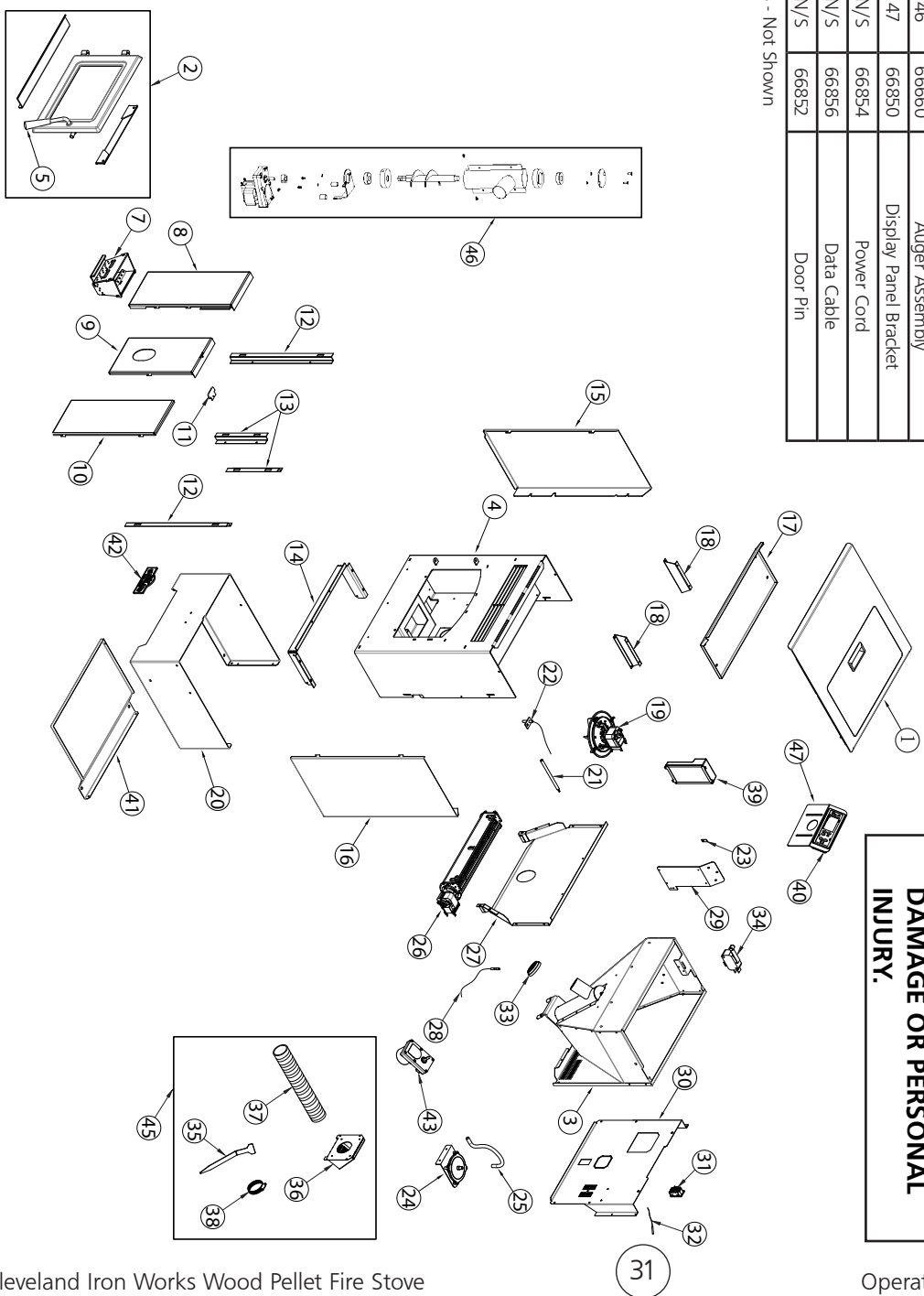
NO.	P/N	DESCRIPTION
1	66623	Top Cover
2	66624	Door Assembly
3	n/a	Hopper
4	n/a	Main Body
5	66603	Door Handle
7	66625	Fire Pot
8	66931	Flue Board-Left
9	66933	Flue Board-Middle
10	66932	Flue Board-Right
11	n/a	Upper Flue Plate
12	n/a	Flue Fixed Plate-Long
13	n/a	Flue Fixed Plate-Short
14	n/a	Pedestal Fixed Plate
15	66626	Left Side panel
16	66627	Right Side panel
17	n/a	Thermal Insulation Plate
18	n/a	Insulation Support Plate
19	66607	Combustion Blower
20	n/a	Pedestal Plate
21	66608	Igniter
22	66609	Exhaust Sensor
23	n/a	Grounding Screw
24	66628	Vacuum Switch
25	66629	Vacuum Switch Silicone Tube
26	66630	Circulation Blower
27	n/a	Chamber Insulation Cover
28	66613	Hopper Safety Sensor
29	n/a	Motherboard Fixed Plate
30	66631	Rear Cover
31	66615	Power Socket
32	66616	Room Sensor
33	66622	Silicone Rubber Sealing Ring
34	66617	Hopper Lid Switch
35	66855	Cleaning Tool (see # 45)
36	n/a	Fresh Air Intake Vent (see # 45)

NO.	P/N	DESCRIPTION
37	n/a	Aluminum Expansion Tube (see # 45)
38	n/a	Clamp (see # 45)
39	66618	Motherboard
40	66619	Display Panel
41	n/a	Inner Pedestal Plate
42	n/a	Nameplate
43	66621	Auger Motor
44	66658	Remote (not shown)
45	66659	Accessory Kit
46	66660	Auger Assembly
47	66850	Display Panel Bracket
N/S	66854	Power Cord
N/S	66856	Data Cable
N/S	66852	Door Pin

N/S - Not Shown

NOTE: NOT ALL PARTS AVAILABLE. FOR QUESTIONS CONTACT MANUFACTURER.

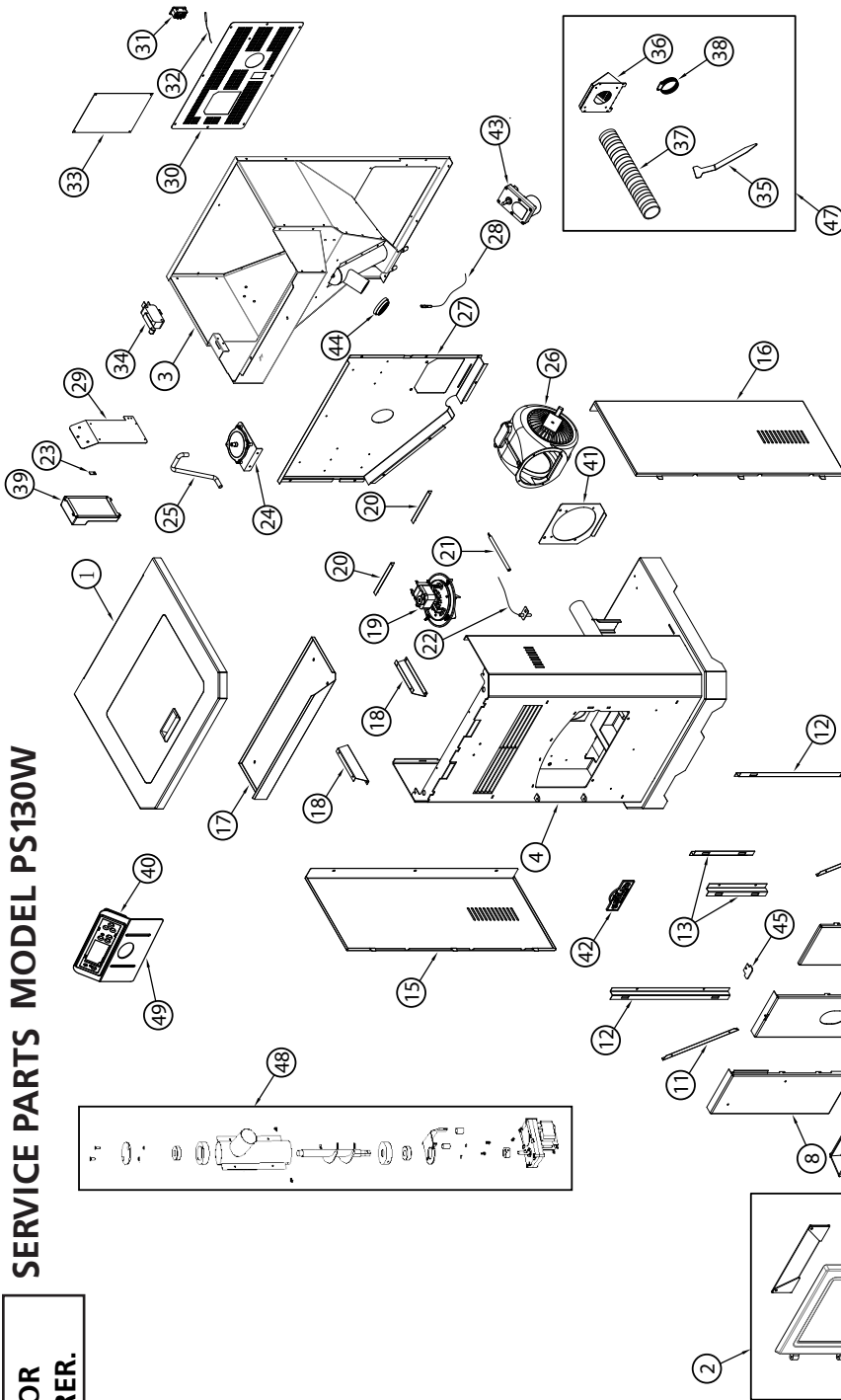
⚠ WARNING: FAILURE TO POSITION THE PARTS IN ACCORDANCE WITH THESE DIAGRAMS OR FAILURE TO USE ONLY PARTS SPECIFICALLY APPROVED WITH THIS STOVE MAY RESULT IN PROPERTY DAMAGE OR PERSONAL INJURY.



NOTE: NOT ALL PARTS AVAILABLE. FOR QUESTIONS CONTACT MANUFACTURER.

WARNING: FAILURE TO POSITION THE PARTS IN ACCORDANCE WITH THESE DIAGRAMS OR FAILURE TO USE ONLY PARTS SPECIFICALLY APPROVED WITH THIS STOVE MAY RESULT IN PROPERTY DAMAGE OR PERSONAL INJURY.

SERVICE PARTS MODEL PS130W



NO.	P/N	DESCRIPTION
1	66601	Top Cover
2	66602	Door Assembly
3	n/a	Hopper
4	n/a	Main Body
5	66603	Door Handle
7	66604	Fire Pot
8	66934	Flue Plate-Left
9	66862	Flue Plate-Middle
10	66935	Flue Plate-Right
11	n/a	Flue Plate Reinforcement
12	n/a	Flue Fixed Plate-Long
13	n/a	Flue Fixed Plate-Short
15	66605	Left Side Panel
16	66606	Right Side Panel
17	n/a	Thermal Insulation Board
18	n/a	Insulation Support Plate
19	66607	Combustion Blower
20	n/a	Reinforcing Plate
21	66608	Igniter
22	66609	Exhaust Sensor
23	n/a	Ground Screw
24	66610	Vacuum Switch
25	66611	Silicone Tube
26	66612	Circulation Blower
27	n/a	Chamber Insulation Cover
28	66613	Hopper Safety Sensor
29	n/a	Motherboard Fixed Plate
30	66614	Rear Cover
31	66615	Power Socket
32	66616	Room Sensor
33	n/a	Rating Label
34	66617	Hopper Lid Switch
35	66855	Cleaning Tool (see # 47)
36	n/a	Fresh Air Intake Vent (see # 47)
37	n/a	Aluminum Expansion Tube (see # 47)
38	n/a	Clamp (see # 47)
39	66618	Motherboard
40	66619	Display Panel
41	66620	Blower Fixed Plate
42	n/a	Nameplate
43	66621	Auger Motor
44	66622	Silicone Rubber Sealing Ring
45	n/a	Upper Flue Plate
46	66658	Remote (not shown)
47	66659	Accessory Kit
48	66660	Auger Assembly
49	66850	Display Panel Bracket
N/S	66854	Power Cord
N/S	66856	Data Cable
N/S	66852	Door Pin

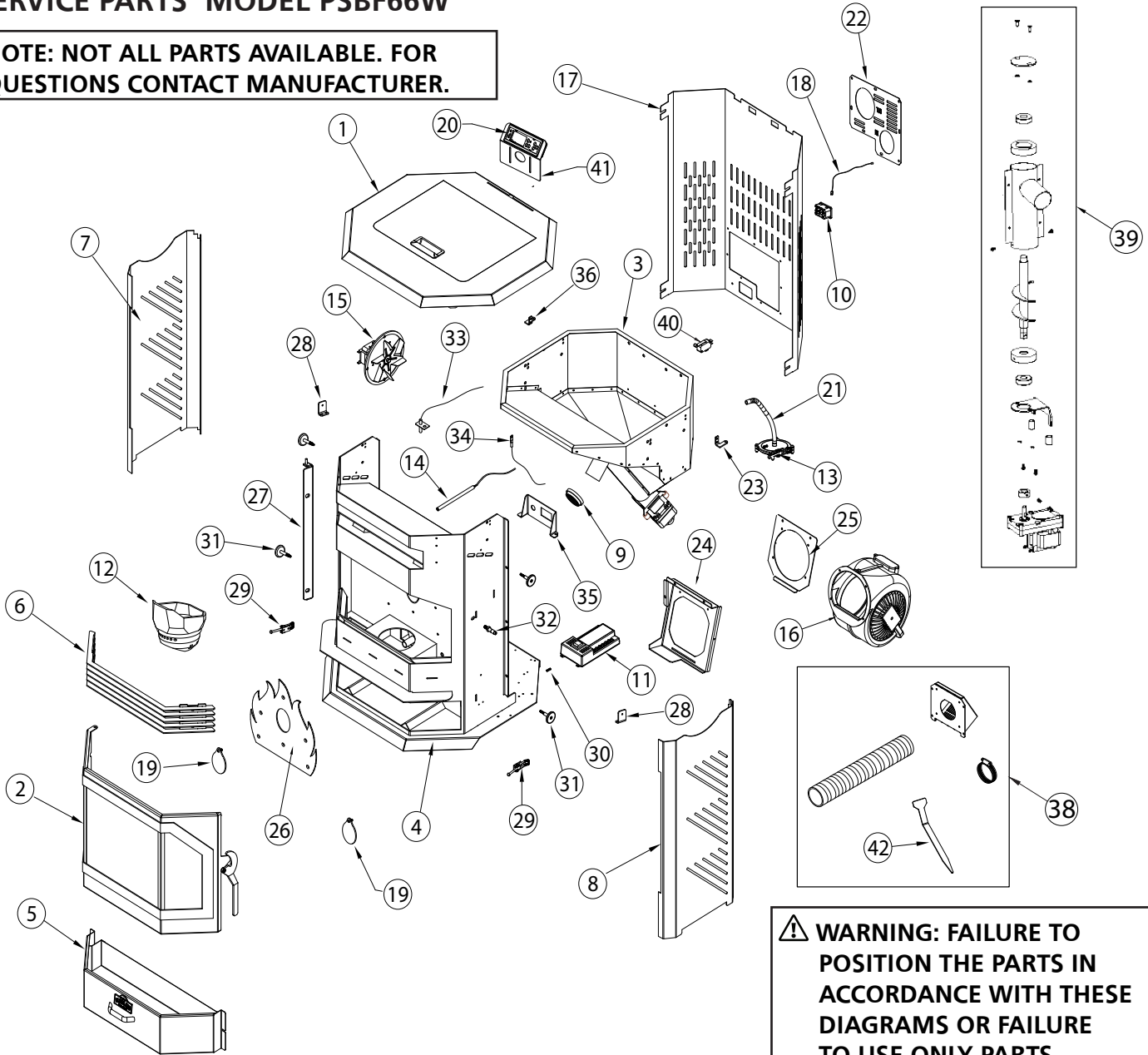
NO.	P/N	DESCRIPTION
1	66620	Blower Fixed Plate
2	n/a	Nameplate
3	66621	Auger Motor
4	66622	Silicone Rubber Sealing Ring
5	n/a	Upper Flue Plate
6	66658	Remote (not shown)
7	66659	Accessory Kit
8	66660	Auger Assembly
9	66850	Display Panel Bracket
N/S	66854	Power Cord
N/S	66856	Data Cable
N/S	66852	Door Pin

NO.	P/N	DESCRIPTION
1	66620	Blower Fixed Plate
2	n/a	Nameplate
3	66621	Auger Motor
4	66622	Silicone Rubber Sealing Ring
5	n/a	Upper Flue Plate
6	66658	Remote (not shown)
7	66659	Accessory Kit
8	66660	Auger Assembly
9	66850	Display Panel Bracket
N/S	66854	Power Cord
N/S	66856	Data Cable
N/S	66852	Door Pin

N/S - Not Shown

SERVICE PARTS MODEL PSBF66W

NOTE: NOT ALL PARTS AVAILABLE. FOR QUESTIONS CONTACT MANUFACTURER.



NO.	P/N	DESCRIPTION
1	66632	Top Cover
2	66633	Door
3	n/a	Hopper
4	n/a	Main Body
5	66634	Ash Pan
6	n/a	Decorative Plate
7	66635	Left Side Panel
8	66636	Right Side Panel
9	66622	Silicone Rubber Sealing Ring
10	66615	Power Socket
11	66637	Motherboard
12	66638	Fire Pot
13	66639	Vacuum Switch
14	66640	Igniter
15	66641	Combustion Blower
16	66612	Circulation Blower
17	66642	Rear Cover

NO.	P/N	DESCRIPTION
18	66643	Room Sensor
19	n/a	Flue Sealing Plate
20	66644	Display Panel
21	66645	Pressure Device Silicone Tube
22	66646	Rear Sealing Plate
23	66647	Right Side Panel Hinge
24	66648	Blower Bracket
25	66620	Blower Fixed Plate
26	n/a	Fireproof Plate
27	66649	Door Hinge
28	66650	Rear Cover Fixed Plate
29	66651	Ash Pan Lock Parts
30	n/a	Ground Screw
31	66652	Magnet
32	66653	Door, Latch
33	66654	Exhaust Sensor
34	66655	Hopper Safety Sensor

⚠ WARNING: FAILURE TO POSITION THE PARTS IN ACCORDANCE WITH THESE DIAGRAMS OR FAILURE TO USE ONLY PARTS SPECIFICALLY APPROVED WITH THIS STOVE MAY RESULT IN PROPERTY DAMAGE OR PERSONAL INJURY.

NO.	P/N	DESCRIPTION
35	66656	Socket Fixed Plate
36	66657	Left Side Panel Hinge
37	66658	Remote (not shown)
38	66659	Accessory Kit
39	66660	Auger Assembly
40	66617	Hopper Lid Switch
41	66850	Display Panel Bracket
42	66855	Cleaning Tool (see # 38)
N/S	66854	Power Cord
N/S	66856	Data Cable
N/S	66859	Door Pin

N/S - Not Shown

OPERATING INSTRUCTIONS AND OWNER'S MANUAL

Model #
H60W, J60W, N60W
H130W, J130W, N130W
HBF66W, JBF66W, NBF66W

READ INSTRUCTIONS CAREFULLY: Please read this entire manual before installation and use of this pellet fuel-burning room heater. Failure to follow these instructions could result in property damage, bodily injury or even death. Do not allow anyone who has not read these instructions to assemble, light, adjust or operate the stove. Place instructions in a safe place for future reference.

WARNING:

USE ONLY MANUFACTURER'S REPLACEMENT PARTS. USE OF ANY OTHER PARTS COULD CAUSE INJURY OR DEATH. REPLACEMENT PARTS ARE ONLY AVAILABLE DIRECT FROM THE FACTORY AND MUST BE INSTALLED BY A QUALIFIED SERVICE AGENCY.

PARTS ORDERING INFORMATION:

PURCHASING: ACCESSORIES MAY BE PURCHASED AT ANY CLEVELAND IRON WORKS LOCAL DEALER OR DIRECT FROM THE FACTORY

FOR INFORMATION REGARDING SERVICE:

Please call Toll-Free 1-800-251-0001 • CLEVELAND-IRONWORKS.COM

Our office hours are 8:00 AM – 5:00 PM, EST, Monday through Friday.

Please include the model number, date of purchase, and description of problem in all communication.

LIMITED WARRANTY:

Enerco Group, Inc. (EGI) warrants Cleveland Iron Works Wood Pellet Fire Stoves to be free from imperfections in workmanship or material, at the date of manufacture. After installation, If covered components are found to be defective in workmanship or material during the applicable warranty period then the company, at its option, will repair or replace products returned by the buyer to the factory, transportation prepaid within applicable warranty period and found by the company to have imperfections in material or workmanship. The warranty period of the covered components is defined in the table below:

Components Covered	Warranty Period (Parts only, Labor not included)
Electrical	1 years
Steel parts (excluding fire pot)	5 years

If a part is damaged or missing, call our Technical Support Department at 1-800-251-0001.

Address any Warranty Claims to the Service Department, Cleveland Ironworks, Inc., 4560 W. 160TH ST., CLEVELAND, OHIO 44135. Include your name, address and telephone number, the model and serial number of your product, and include details concerning the claim. Also, supply us with the purchase date and the name and address of the dealer from whom you purchased our product.

The foregoing is the full extent of the responsibility of the Company. There are no other warranties, express or implied. Specifically there is no warranty of fitness for a particular purpose and there is no warranty of merchantability. In no event shall the Company be liable for delay caused by imperfections, for consequential damages, or for any charges of the expense of any nature incurred without its written consent. The cost of repair or replacement shall be the exclusive remedy for any breach of warranty. There is no warranty against infringement of the like and no implied warranty arising from course of dealing or usage of trade. This warranty will not apply to any product which has been repaired or altered outside of the factory in any respect which in our judgment affects its condition or operation. This warranty does not cover damage or breakage due to misuse, abuse or modifications. There is no warranty on any paint, glass, gasket or fire brick. There is no warranty on the fire pot. There is no warranty against damage caused by corrosion.

Some states do not allow the exclusion or limitation of incidental or consequential damages, so the above limitation or exclusion may not apply to you. This Warranty gives you specific legal rights, and you may have other rights which vary from state to state.

Cleveland Ironworks Inc. reserves the right to make changes at any time, without notice or obligation, in colors, specifications, accessories, materials and models.

Cleveland Ironworks Inc., 4560 W. 160TH ST., CLEVELAND, OHIO 44135 • 1-800-251-0001
Cleveland Ironworks Inc., is a registered trademarks of Mr. Heater, Inc.
© 2024, Cleveland Ironworks. All rights reserved

US Patent Pending



Report Number : F23-240
ASTM E1509-22
CAN/ULC-S627:2023

INSTALLATEUR : Laisser le présent guide avec l'appareil

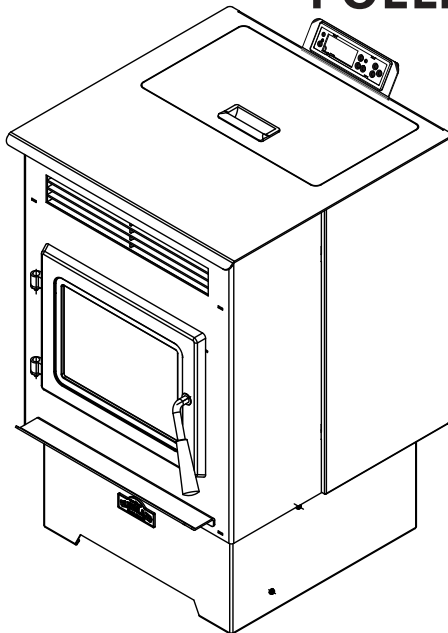
CONSOMMATEUR : Sauvegarder les présentes instructions pour référence future.

GUIDE DU PROPRIÉTAIRE ET INSTRUCTIONS D'UTILISATION

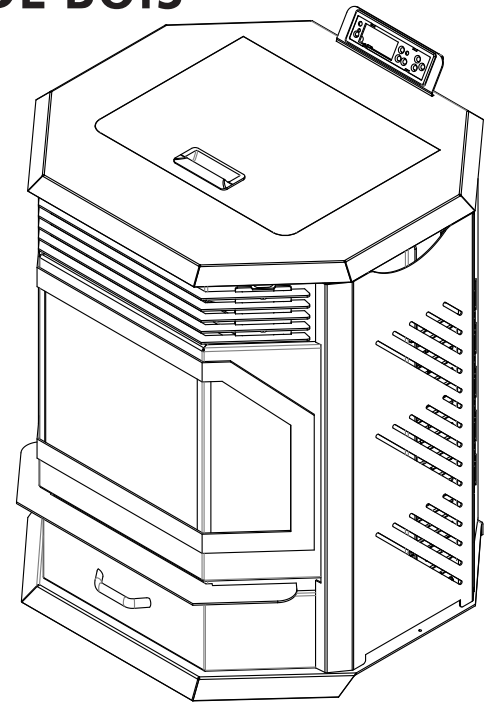
N° de modèle
H60W, J60W, N60W
H130W, J130W, N130W
HBF66W, JBF66W, NBF66W

LIRE LES INSTRUCTIONS ATTENTIVEMENT : Veuillez lire le présent manuel au complet avant d'installer et d'utiliser ce poêle à grenailles de bois. Ne pas suivre les directives comprises pourrait résulter en des dommages matériels ou des blessures graves, voire la mort. Ne pas laisser quiconque qui n'a pas lu les instructions du présent manuel assembler, allumer, régler ou faire fonctionner le poêle. Remiser ce manuel dans un endroit sûr pour référence ultérieure.

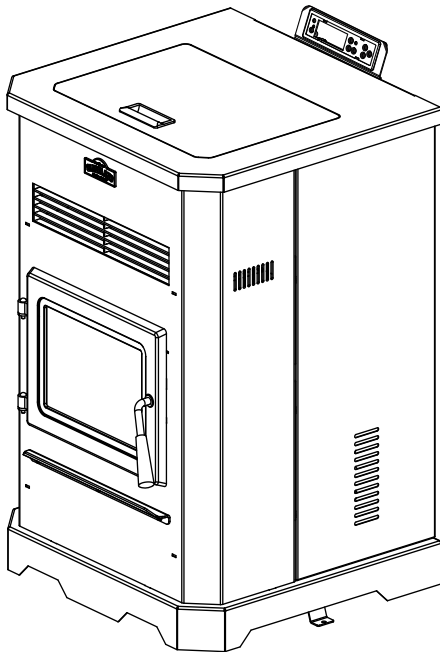
POÊLE À GRENAILLES DE BOIS



H60W, J60W, N60W



HBF66W, JBF66W, NBF66W



H130W, J130W, N130W



**POUR DÉTERMINER VOTRE BESOIN DE PERMIS, CONSULTEZ LES AUTORITÉS AYANT JURIDICTIONS
DANS VOTRE LOCALITÉ (AUTORITÉS DE PRÉVENTION DES INCENDIES, SERVICE DE LA CONSTRUCTION
MUNICIPAL, ETC.). RESPECTEZ TOUS LES CODES DE LA CONSTRUCTIONS LOCAUX.**

Cleveland Ironworks une filiale de Enerco Group Inc.
4560 West 160th st Cleveland, Ohio 44135 1-800-251-0001

XXXXX

AVERTISSEMENTS GÉNÉRAUX DE DANGERS :

- ⚠ NE PAS SE CONFORMER AUX PRÉCAUTIONS ET INSTRUCTIONS FOURNIES PEUT RÉSULTER EN UN DÉCÈS DE PERSONNE OU DES BLESSURES GRAVES ET DES DOMMAGES MATÉRIELS RÉSULTANT DES DANGERS D'INCENDIE, DE DÉFLAGRATION, DE BRÛLURE, D'ASPHYXIATION D'EMPOISONNEMENT AU MONOXYDE DE CARBONE ET/OU DE CHOC ÉLECTRIQUE.
- ⚠ SEULES LES PERSONNES POUVANT COMPRENDRE ET SUIVRE LES INSTRUCTIONS DEVRAIENT UTILISER OU ENTREtenir CE POÊLE.
- ⚠ POUR TOUTE ASSISTANCE, RENSEIGNEMENT OU POUR UN EXEMPLAIRE DU MANUEL D'INSTRUCTION, OU D'ÉTIQUETTES DE REMPLACEMENT, VEUILLEZ COMMUNIQUER AVEC LE FABRICANT.

AVERTISSEMENT :

- ⚠ DANGER D'INCENDIE, DE BRÛLURE, D'ÉMANATIONS ET DE DÉFLAGRATION. GARDER LES MATIÈRES COMBUSTIBLES SOLIDES TEL LES MATÉRIAUX DE CONSTRUCTION, LE CARTON OU LE PAPIER À UNE DISTANCE SÉCURITAIRE DU POÊLE SELON LES RECOMMANDATIONS DU MANUEL, NE JAMAIS UTILISER LE POÊLE DANS UN LIEU AYANT OU QUI A POSSIBILITÉ D'AVOIR DES MATIÈRES VOLATILES EN SUSPENSION DANS L'AIR OU DES PRODUITS COMME L'ESSENCE, DES SOLVANTS, DES DILUANTS À PEINTURE, DE LA POUSSIÈRE OU DES PRODUITS CHIMIQUES INCONNUS.

- ⚠ **AVERTISSEMENT :** Ce produit peut vous exposer à des produits chimiques incluant le plomb et des composés du plomb, reconnus par l'État de la Californie causer le cancer et des défauts congénitaux ou d'autres sévices du système reproducteur. Pour plus d'information visitez www.P65Warnings.ca.gov

Table des matières

SPECIFICATIONS.....	3
COMMENCER.....	4
PRÉCAUTIONS DE SÉCURITÉ.....	5
DISTANCES DE DÉGAGEMENT DES MATÉRIAUX COMBUSTIBLES.....	6
DÉBALLAGE ET ASSEMBLAGE.....	7
INSTALLATION.....	8
EXIGENCES SUPPLÉMENTAIRES POUR LES MAISONS MOBILES	12
FONCTIONNEMENT.....	14
CONNEXION WI-FI « SMART STOVE ».....	16
COMMANDES WI-FI.....	17
COMMANDES MULTIFONCTIONS.....	18
OPÉRATION MANUELLE DU POÊLE.....	18
ENTRETIEN.....	20
SCHÉMA DE CÂBLAGE.....	30
PIÈCES DE SERVICE.....	31

INFORMATIONS ÉMISES À LA FCC

MISE EN GARDE: Tout changement ou modification qui ne serait pas approuvé expressément par la partie responsable de sa conformité peut causer l'annulation de l'autorité de l'utilisateur de faire fonctionner cet équipement.

REMARQUE: Cet appareil a été testé et a été déterminé comme conforme aux limites d'un appareil numérique de Classe B, conformément à la Section 15 des réglementations FCC. Ces limites sont conçues pour offrir une protection raisonnable contre une interférence nuisible dans une installation résidentielle. Cet appareil génère, et peut irradier de l'énergie en radiofréquence et, s'il n'est pas installé et utilisé en conformité avec ces instructions, il peut causer une interférence nuisible aux communications radio. Toutefois, il n'est pas garanti qu'une telle interférence ne puisse survenir dans une installation particulière. Si l'appareil cause une interférence nuisible à la réception radio ou télévisuelle, ce qui peut être déterminé en mettant en marche l'appareil puis en l'éteignant, l'utilisateur est encouragé à tenter de corriger cette interférence par une ou l'autre des mesures suivantes:

- Réorienter ou relocaliser l'antenne réceptrice.
- Augmenter la distance de séparation entre l'appareil et le récepteur.
- Connecter l'appareil dans une prise de courant qui se trouve sur un circuit différent de celui dans lequel le récepteur est connecté.
- Consulter le détaillant ou un technicien expérimenté en radio/télé pour de l'aide.

Le présent manuel décrit la procédure d'installation et de fonctionnement des poêles à grenailles de bois Cleveland Ironworks. Votre poêle est conforme aux limites d'émission de l'EPA (Environmental Protection Agency) des États-Unis pour les poêles à grenailles fabriqués après l'année 2020. Sous des conditions d'essai précises, il a été déterminé que ces poêles produisent une sortie de chaleur entre :

PS60W : 10 771 et 30 124 Btu/h

PS130W : 12 746 à 29 501 Btu/h

PSBF66W : 11 624 à 30 173 Btu/h

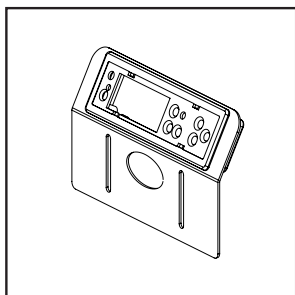
SPÉCIFICATIONS

N° de modèle	PS60W	PS130W	PSBF66W
DIMENSIONS			
Poids du poêle [kg (lb)]	90 (198)	100 (221)	120 (265)
Dimensions du poêle prof.x larg.x haut. [cm (po)]	59,7 x 55,2 x 84,5 (23,5 x 21,75 x 33,25)	61,0 x 62,2 x 92,7 (24,0 x 24,5 x 36,5)	66,5 x 62,3 x 77,2 (26,2 x 24,5 x 30,4)
Diamètre du tuyau d'entrée d'air [mm (po)]	50 (2)	50 (2)	50 (2)
Diamètre du tuyau de sortie d'air [mm (po)]	80 (3)	80 (3)	80 (3)
Capacité de la trémie de grenailles [kg (lb)]	27,2 (60)	59,0 (130)	29,9 (66)
SPÉCIFICATIONS DE FONCTIONNEMENT			
Carburant	Grenailles de bois	Grenailles de bois	Grenailles de bois
Chauffe approximativement ** [m ² (pi ²)]	139 - 204 (1500 - 2200)	186 - 279 (2000 - 3000)	167 - 232 (1800 - 2500)
Monoxyde de carbone produit (g/min)	Sur réglage élevé : 0,32 Sur réglage bas : 0,18	Sur réglage élevé : 0,20 Sur réglage bas : 0,36	Sur réglage élevé : 0,11 Sur réglage bas : 0,21
Taux de consommation de grenailles sur réglage bas [kg/h (lb/h)]	0,72 - Sec (1,59)	0,90 - Sec (1,98)	0,79 - Sec (1,74)
Taux de consommation de grenailles sur réglage moyen [kg/h (lb/h)]	0,92 - Sec (2,03)	1,28 - Sec (2,82)	1,07 - Sec (2,36)
Taux de consommation de grenailles sur réglage élevé [kg/h (lb/h)]	1,98 - Sec (4,37)	2,19 - Sec (4,83)	2,12 - Sec (4,67)
Rendement du poêle	84%	77%	80%
Taux de sortie de chaleur bas [BTU/ HR (kW)]	10,771 (3,16)	12,746 (3,74)	11,624 (3,41)
Taux de sortie de chaleur moyen [BTU/HR (kW)]	13,910 (4,08)	18,088 (5,30)	15,511 (4,55)
Taux de sortie de chaleur élevé [BTU/HR (kW)]	30,124 (8,83)	29,501 (8,65)	30,173 (8,84)
SPÉCIFICATIONS ÉLECTRIQUES			
Exigences d'alimentation électrique (Tension/Fréquence/Phase)	120 V / 60 Hz / 1	120 V / 60 Hz / 1	120 V / 60 Hz / 1
Courant électrique durant la phase d'allumage (Ampères)	3,3	3,3	3,3
Vitesse de rotation du moteur de la tarière (t/min)	2,4	2,4	2,4

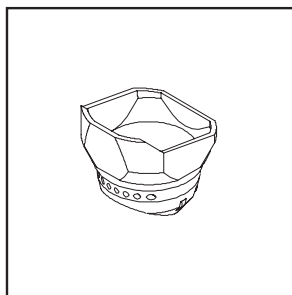
* L'énergie (BTU) de sortie variera selon la marque du combustible utilisé.

** Selon degré d'isolation de la pièce et la zone climatique. Les différences de climat et la localisation affectent les attributs comme le rendement du poêle et la production de monoxyde e carbone.

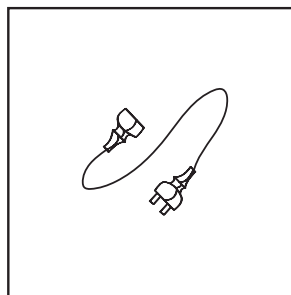
COMMENCER



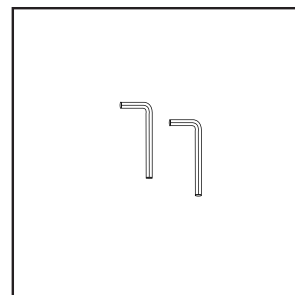
Panneau d'affichage



Pot de feu

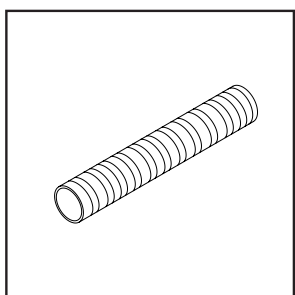


Cordon d'alimentation électrique

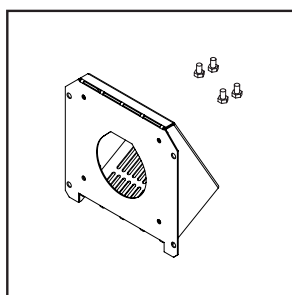


Clés Allen (x2)

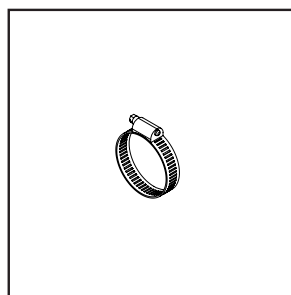
KIT D'ACCESSOIRES



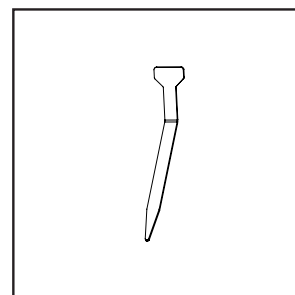
Tuyau flexible



Limite de terminaison et Des vis (x4)



Collier de serrage



Outil de nettoyage

CE DONT VOUS AVEZ BESOIN (NON FOURNIS)

OUTILS REQUIS

- Ruban à mesurer
- Tournevis Phillips (manuel ou électrique).
- Localisateur de montants
- Fil à plomb
- Scie sauteuse
- Silicone haute température ou scellant haute température ou ruban de conduit de fumée haute température
- Protection de plancher (voir SUPERFICIE DE PLANCHER et MATÉRIAUX DE REVÊTEMENT DE SOL à la page 6)
- Tuyau d'évent de 80 mm (3 po) de diamètre de type « L » ou « PL » portant les sceaux d'enregistrement UL 641, ULC S609 (Norme « Standard for 650 C Factory-Built Chimneys »), ou ULC/ORD C441. Installer selon les instructions du fabricant de cheminée (voir page 9)

ÉQUIPEMENT DE SÉCURITÉ (RECOMMANDÉ)

- Lunettes de sécurité
- Gants
- Chaussures fermées
- Un assistant (le poêle est lourd, ne tentez pas de le déplacer par vous-même).

INFORMATIONS SUR LA PILE

La télécommande qui est livrée avec votre poêle est fournie avec une (1) pile au Lithium CR2025 de 3 volts, déjà installée.

IMPORTANT:

- Les piles qui ne sont pas rechargeables ne doivent pas être rechargées.
- Les piles doivent être insérées avec la bonne polarité.
- Les piles épuisées doivent être retirées de la télécommande.
- Mise en garde : Éviter l'ingestion d'une ou de plusieurs piles.

⚠ AVERTISSEMENT : NE PAS JETER LES PILES DANS LE FEU. LES BATTERIES PEUVENT EXPLOSER OU FUTER.

⚠️ AVERTISSEMENT

- **DANGER D'INGESTION** : Ce produit contient une pile bouton ou une pile mince.
- **UN DÉCÈS** ou des blessures graves peuvent survenir en cas d'ingestion.
- Si avalée, une pile bouton ou une pile mince peut causer des **brûlures chimiques internes** en aussi peu de temps que **2 heures**.
- **GARDER** les piles neuves et épuisées **HORS DE PORTÉE DES ENFANTS**
- **Consulter immédiatement un professionnel de la santé** si vous suspectez qu'une pile a été avalée ou insérée à l'intérieur d'une partie du corps.



- Appeler un centre antipoison local pour déterminer les informations de traitement.
- Retirer et disposer immédiatement les piles épuisées conformément aux réglementations locales, et les garder éloignées des enfants. NE PAS disposer les piles dans une poubelle résidentielle, et ne pas les incinérer. Même une pile épuisée peut causer des blessures graves ou un décès.
- Les piles non-rechargeables ne doivent pas être rechargées. Il ne faut pas forcer la décharge, la recharge, il ne faut démonter, ni chauffer à une température supérieure (à la température spécifiée par le fabricant) ni l'incinérer. Cela pourrait causer des blessures en raison de l'évacuation, d'un coulage ou de l'explosion pouvant causer des brûlures chimiques.
- S'assurer que les piles soient installées correctement avec la bonne polarité (+ et -). Ne pas mélanger des piles anciennes avec des piles neuves, ou encore des marques ou des types différents de piles ensemble, comme des piles alcalines, carbone-zinc, ou rechargeables. Retirer et recycler ou jeter immédiatement les piles de l'équipement qui ne sera pas utilisé pendant une longue période de temps, conformément aux réglementations locales.

PRÉCAUTIONS DE SÉCURITÉ

ÉTABLISSEZ UNE RÉACTION DE SURVIE EN CAS D'INCENDIE. COMMUNIQUEZ AVEC LE SERVICE D'INCENDIE LOCAL POUR OBTENIR DES RENSEIGNEMENTS ET UNE PROCÉDURE D' ACTIONS À PRENDRE EN CAS DE FEU DE CHEMINÉE.

⚠️ AVERTISSEMENT : NE PAS LOCALISER DANS LES CHAMBRES À COUCHER.

⚠️ ATTENTION : MANIPULER LE POÊLE AVEC SOIN. ÉVITER DE LE SOUMETTRE À DES CHOCS OU DE L'ÉGRATIGNER ET DE FERMER BRUSQUEMENT LES PORTES VITRÉES. NE PAS FAIRE FONCTIONNER AVEC UNE OU DES VITRES ÉGRATIGNÉES, FISSURÉES OU BRISÉES.

⚠️ AVERTISSEMENT : BRÛLANT DURANT LE FONCTIONNEMENT. GARDER LES ENFANTS, LES VÊTEMENTS ET L'AMEUBLEMENT ÉLOIGNÉS. LE CONTACT POURRAIT CAUSER DES BRÛLURES.

⚠️ AVERTISSEMENT : NE JAMAIS LAISSER D'ENFANT SANS SURVEILLANCE DANS UNE PIÈCE COMPRENANT UN POÊLE EN FONCTIONNEMENT.

⚠️ AVERTISSEMENT : NE PAS CHAUFFER À BLOC. CHAUFFER LE POÊLE DE FAÇON EXCESSIVE POURRAIT CAUSER UN INCENDIE. SI L'UNITÉ OU LE RACCORD DE CHEMINÉE ROUGIT C'EST QUE LE POÊLE EST CHAUFFÉ DE FAÇON EXCESSIVE.

⚠️ AVERTISSEMENT : CE POÊLE À BOIS A UN TAUX D'ALIMENTATION MINIMUM RÉGLÉ PAR LE FABRICANT QUI NE DOIT PAS ÊTRE MODIFIÉ. IL EST CONTRAIRE À LA RÉGLEMENTATION FÉDÉRALE DE RÉGLER OU DE FAIRE FONCTIONNER CE POÊLE DE FAÇON NON CONFORME AUX INSTRUCTIONS DE FONCTIONNEMENT COMPRISES DANS CE GUIDE DU PROPRIÉTAIRE.

MONOXYDE DE CARBONE

AVERTISSEMENT :

⚠ SI UTILISÉ SANS COMBUSTIBLE ET AÉRATION ADÉQUATS, CE POÊLE PEUT PRODUIRE UN EXCÈS DE MONOXYDE DE CARBONE, UN GAZ MORTEL SANS ODEUR.

AVERTISSEMENT :

⚠ DES SIGNES AVANT-COUREURS D'EMPOISONNEMENT AU MONOXYDE DE CARBONE SONT UNE RESSEMBLANCE AUX SYMPTÔMES DE LA GRIPPE AVEC CÉPHALÉES, ÉTOURDISSEMENTS ET/OU NAUSÉES. SI VOUS SOUFFREZ DE CES SYMPTÔMES, LE POÊLE POURRAIT EN ÊTRE LA CAUSE EN RAISON DE MAUVAIS FONCTIONNEMENT. OBTENEZ DE L'AIR FRAIS À RESPIRER SUR LE CHAMP! FAITES UN ENTRETIEN DU POÊLE.

CERTAINES PERSONNES - FEMMES ENCEINTES, PERSONNES SOUFFRANT DE PROBLÈMES CARDIAQUES OU DE MALADIES, D'ANÉMIE, CELLES EN ÉTAT D'ÉBRIÉTÉ OU PERSONNES SE TROUVANT EN RÉGION MONTAGNEUSE TRÈS ÉLEVÉE - SONT PLUS SUJETTES À ÊTRE AFFECTÉES PAR LE MONOXYDE DE CARBONE QUE LES AUTRES PERSONNES.

Peu importe le niveau de sécurité intrinsèque de ce poêle, tous les appareils consommant un carburant créent du monoxyde de carbone. Il est toujours bon de prévenir autant que possible les dangers pouvant vous affecter ainsi que votre entourage en installant un détecteur de monoxyde de carbone. Il est recommandé d'installer un détecteur dans les aires susceptibles de générer du monoxyde de carbone comme là où se trouve un poêle ou l'aire d'entreposage des grenailles ou bien les hangars chauffés par système hydronique. Suivez les instructions de montage, de fonctionnement et d'entretien fournies par le fabricant de votre détecteur.

DÉTECTEURS DE FUMÉE

Installez au moins 1 détecteur de fumée à chaque niveau de votre demeure. Suivez les instructions de montage, de fonctionnement et d'entretien fournies par le fabricant de votre détecteur. Évitez les fausses alarmes en plaçant le détecteur hors de l'emplacement immédiat du poêle. Généralement, un bon endroit pour installer les détecteurs de fumée est près des chambres à coucher.

POUR PLUS D'INFORMATION DE SÉCURITÉ

Pour des renseignements supplémentaires concernant la sécurité de fonctionnement des poêles à grenailles de bois, communiquez avec la NFPA (National Fire Protection Association), par la poste, à :

NFPA, Batterymarch Park, Quincy, MA 02269, U.S.A.

ou visitez le site Web de la NFPA :

<https://www.nfpa.org/>

DISTANCES DE DÉGAGEMENT DES MATÉRIAUX COMBUSTIBLES

Les distances de dégagement indiquées ci-dessous représentent les dégagements minimum entre le poêle et tout autre objet. Aucun objet ne devrait se trouver dans cet espace. Ceux-ci comprennent, sans s'y limiter, les tapis, meubles, enfants, animaux domestiques, vêtements, carburant ou tout autre objet. Ces distances ne pourront seulement être réduites que par les autorités ayant juridiction.

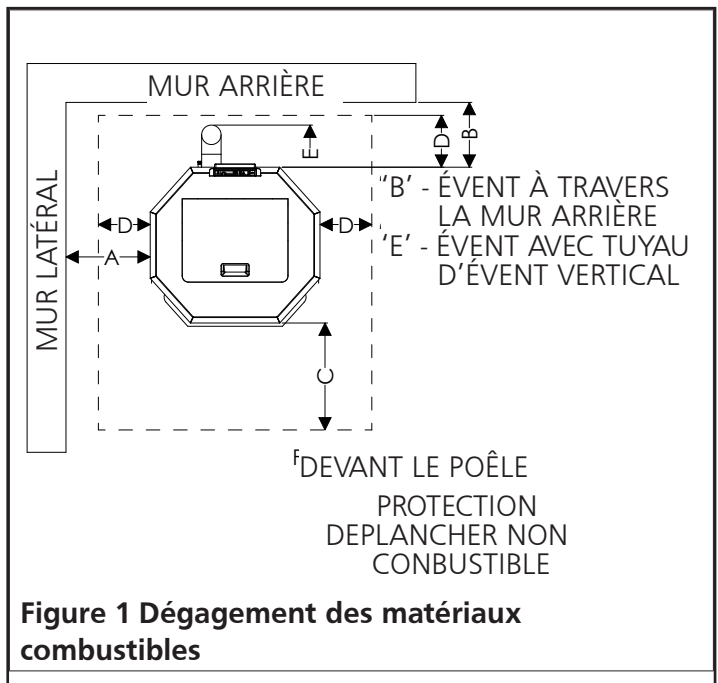


Figure 1 Dégagement des matériaux combustibles

	ÉTATS-UNIS	CANADA
A	330 mm (13 po)	330 mm (13 po)
B	51 mm (2 po)	51 mm (2 po)
C	457 mm (18 po)	457 mm (18 po)
D	203 mm (8 po)	203 mm (8 po)
E	76 mm (3 po)	76 mm (3 po)

SUPERFICIE DE PLANCHER ET DÉGAGEMENTS

Lorsqu'installé sur un plancher combustible, une protection non combustible est requise pour :

- Couvrir l'aire sous le poêle en se prolongeant d'au moins 457 mm (18 po) sur le devant;
- Couvrir la surface sur les côtés du poêle sur au moins 203 mm (8 po);
- Couvrir l'aire sous le tuyau d'échappement en excédant cette aire par une couverture de 51 mm (2 po) sur les côtés.

De plus, le poêle à grenailles de bois devra être positionné de sorte :

- Qu'il y ait un dégagement minimum de 330 mm (13 po) de chaque côté de l'appareil.
- Qu'il y ait un dégagement minimum de 51 mm (2 po) à l'arrière de l'appareil.
- Que le tuyau d'échappement vertical soit dégagé d'au moins 76 mm (3 po) de tout mur.

Finalement, la pièce dans laquelle le poêle à grenailles de bois est installé devra avoir une hauteur de plafond d'au moins 2 134 mm (84 po)

MATÉRIAUX DE REVÊTEMENT DE SOL

La protection de plancher devra avoir toutes les caractéristiques suivantes :

- Enregistrement UL-1618
- Au moins 13 mm (0,5 po) d'épaisseur
- Faite de matériau non combustible
- Avoir soit :
 - Une valeur de résistance thermique R de $1,19 \frac{(\text{pi}^2)(\text{h})(^\circ\text{F})}{\text{Btu}}$
 - Une valeur de conductivité thermique k de $0,84 \frac{(\text{Btu})(\text{po})}{(\text{pi}^2)(\text{h})(^\circ\text{F})}$

Comme assistance pour évaluer l'acceptabilité de matériaux substitués, les équivalences de spécifications et exemples ci-dessous vous sont fournis.

$$\text{Conductivité thermique } k = \frac{\text{épaisseur}}{R} \left(\frac{(\text{Btu})(\text{po})}{(\text{pi}^2)(\text{h})(^\circ\text{F})} \text{ ou } \frac{W}{(\text{m})(^\circ\text{K})} \right)$$

$$\text{Conductance thermique } C = \frac{1}{R} \left(\frac{(\text{Btu})}{(\text{pi}^2)(\text{h})(^\circ\text{F})} \text{ ou } \frac{W}{(\text{m}^2)(^\circ\text{K})} \right)$$

Exemple : Requis pour protéger le plancher avec une valeur R de $1,19 \frac{(\text{pi}^2)(\text{h})(^\circ\text{F})}{\text{Btu}}$.

Évaluation du mérite de briques de 57 mm (2 po) d'épaisseur de conductivité thermique k de $4,16 \frac{(\text{Btu})(\text{po})}{(\text{pi}^2)(\text{h})(^\circ\text{F})}$

sur une couche de panneau minéralisé de 6,3 mm (po) ayant une valeur C de $2,3 \frac{(\text{Btu})}{(\text{pi}^2)(\text{h})(^\circ\text{F})}$.

Étape 1. Calculez la valeur R de chaque matériau du plancher

$$R_{\text{BRIQUE}} = \frac{\text{épaisseur}}{k} = \frac{2,25}{4,16} = 0,54$$

$$R_{\text{PANNEAU}} = \frac{1}{C} = \frac{1}{2,3} = 0,434$$

Étape 2. Ajoutez les valeurs R équivalentes pour chaque matériau du plancher

$$R_{\text{BRIQUE}} + R_{\text{PANNEAU}} = 0,54 + 0,434 = 0,974$$

Étape 3. Cette valeur R combinée est **insuffisante** donc plus de protection doit être installée. Par exemple, en plaçant deux couches de briques :

$$R_{\text{BRIQUE}} + R_{\text{BRIQUE}} + R_{\text{PANNEAU}} = 0,54 + 0,54 + 0,434 = 1,514$$

Étape 4. Puisque cette valeur R combinée est plus grande que la spécification requise, ce montage sera suffisant pour protéger le plancher sous le poêle.

DÉBALLAGE

1. Sortir le poêle du carton d'emballage.
2. Retirer tout le matériel protecteur placé sur le poêle pour l'expédition.
3. Inspecter le poêle pour détecter tout dommage d'expédition. Si des dommages sont détectés, appelez le fabricant sur le champ-au 1-800-251-0001.

⚠ ATTENTION : TOUTE PIÈCE ENDOMMAGÉE POURRAIT COMPROMETTRE LE FONCTIONNEMENT SÉCURITAIRE.

- **NE PAS INSTALLER DES COMPOSANTS INCOMPLETS.**
- **NE PAS INSTALLER DES COMPOSANTS SUBSTITUÉS.**
- **NE PAS INSTALLER DES COMPOSANTS ENDOMMAGÉS.**

4. Pour assurer la sécurité de certaines pièces délicates, celles-ci sont emballées séparément. Veuillez les localiser, vraisemblablement à l'intérieur de l'appareil pour procéder à leur assemblage.

ASSEMBLAGE

Étape 1 - Panneau d'affichage

Insérer le panneau d'affichage à l'arrière du dessus du poêle. Assurez-vous de sa bonne orientation pour lecture à partir du devant du poêle. Fixez l'afficheur à l'aide des deux vis fournies.

Étape 2 - Câble d'alimentation de l'afficheur

Ce câble devrait être enroulé sous le couvercle du poêle. Insérez l'extrémité libre dans le dos du panneau d'affichage (voir figure 16 à la page 15). Ce câble devrait déjà être connecté à la carte d'alimentation du poêle. Vous pouvez vérifier cette connexion derrière la plaque d'accès à l'arrière du poêle.

Étape 3 - Cordon d'alimentation électrique

Le cordon d'alimentation se branche dans la prise à l'arrière du poêle. Après tout assemblage requis du panneau d'affichage, vous pouvez brancher votre poêle temporairement pour vous assurer du fonctionnement de l'afficheur avant de continuer l'installation. Après avoir confirmé le fonctionnement de l'afficheur, éteignez et débranchez le cordon électrique.

⚠ ATTENTION : NE PAS LAISSER LE POÊLE BRANCHÉ DANS LA PRISE ÉLECTRIQUE DURANT L'ASSEMBLAGE OU LE MONTAGE.

Étape 4 - Pot de combustion

En l'absence de toute alimentation électrique, le pot de combustion devrait être inséré adéquatement dans le poêle pour que l'allumeur puisse entrer en contact avec les grenailles. Voir figure 2 ou 3.

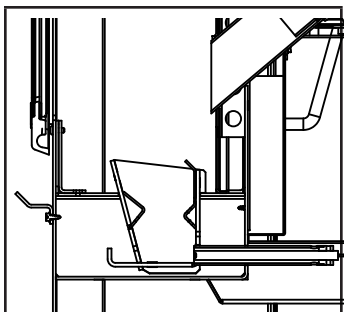


Figure 2 Pot de combustion PS60W et PS130W

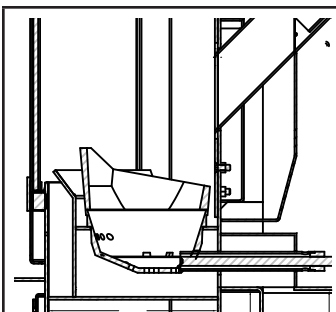
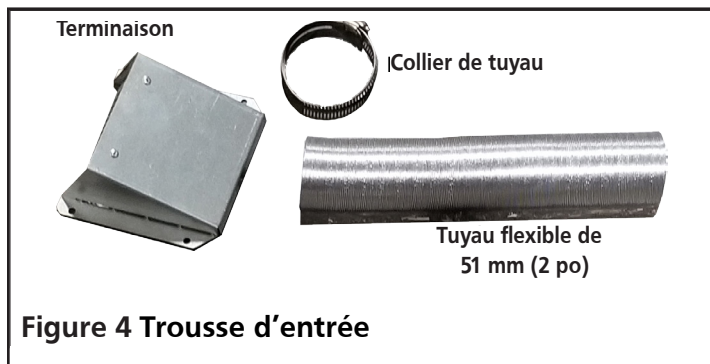


Figure 3 Pot de combustion PSBF66W

Une trousse de nettoyage est également emballée, ce qui facilitera le nettoyage de débris des perforations du pot.

Étape 5 - Trousse d'entrée d'air

Localisez la trousse d'entrée d'air expédiée avec le poêle. Voir Figure 4. Mesurez votre pièce et planifiez l'installation de l'évent horizontal pouvant être requis selon les recommandations indiquées dans EXIGENCES D'AIR FRAIS ET D'AÉRATION on page 8. Respectez toutes les exigences d'aération et suivez les directives indiquées dans INSTALLATION on page 8.



Assemblage supplémentaire PS60W, PS130W

- Poignée de porte : ouvrez la porte et vissez l'emprise plastifiée dans les filets de la poignée.

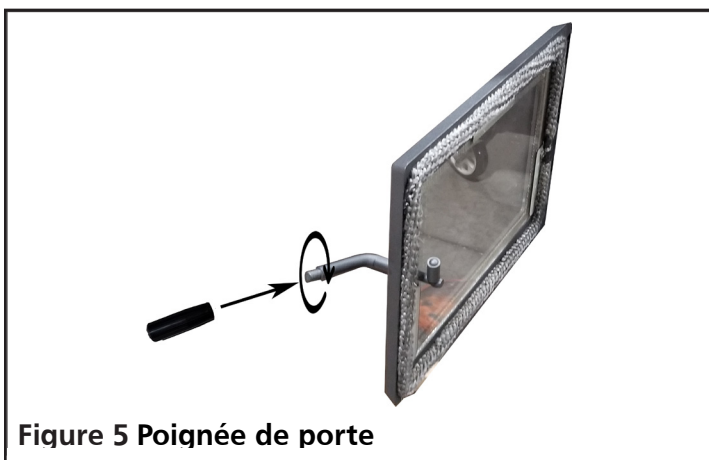


Figure 5 Poignée de porte

INSTALLATION

INFORMATION DE CONTACT

Pour toute question concernant les options de ventilation de votre poêle, veuillez contacter soit :

Le fabricant Mr. Heater Company à 1-800-251-0001 • Mr. Heater.COM Nos heures de bureau sont de 8:00 h à 17:00 h, HNE, du lundi au vendredi..

NFPA (National Fire Protection Association) et demander un exemplaire de la dernière édition de la publication NFPA Standard 211. L'adresse postale de la NFPA est Batterymarch Park, Quincy, MA 02269 U.S.A.

⚠ AVERTISSEMENT : SI CE POÊLE N'EST PAS BIEN INSTALLÉ, IL POURRAIT EN RÉSULTER UN INCENDIE DE DOMICILE. POUR MINIMISER LE DANGER D'INCENDIE, SUIVRE LES DIRECTIVES D'INSTALLATION. CONTACTER LES AUTORITÉS DU CODE DE LA CONSTRUCTION OU LE SERVICE D'INCENDIE POUR CONNAÎTRE LES RESTRICTIONS ET LES INSPECTIONS D'APPROBATION REQUISES DANS VOTRE RÉGION.

⚠ ATTENTION : TOUT ÉCART OU MODIFICATION DE CES DIRECTIVES POURRAIT RÉSULTER EN DES BLESSURES OU DES DOMMAGES AU POÊLE, À LA CHEMINÉE ET À VOTRE DEMEURE. LA GARANTIE POURRAIT ÊTRE ANNULÉE. LIRE ET SUIVRE TOUTES LES INSTRUCTIONS. Pour toute préoccupation, question ou commentaire, communiquez avec Cleveland Iron Works.

⚠ ATTENTION : CONTACTER LES AUTORITÉS DU CODE DE LA CONSTRUCTION OU LE SERVICE D'INCENDIE POUR CONNAÎTRE LES RESTRICTIONS ET LES INSPECTIONS D'APPROBATION REQUISES DANS VOTRE RÉGION.

PLANIFICATION

Assurez-vous que vous avez sélectionné le bon poêle pour vos besoins en consultant le tableau de spécifications à la page 3. Prenez les mesures de vos quartiers et planifiez votre système de cheminée selon les instructions détaillées ci-dessous.

Ce poêle à grenailles peut être installé dans une maison mobile. En plus des instructions ci-dessous, passez en revue et respectez les exigences obligatoires à la page 11.

CONSIDÉRATIONS ÉLECTRIQUES

Une prise électrique devra être disponible à environ 2 m (6,5 pi) sur le mur derrière le poêle. Placer le cordon d'alimentation de façon qu'il ne vienne en contact avec la surface du poêle.

EXIGENCES D'AIR FRAIS ET D'AÉRATION

Lorsque vous décidez de la localisation du poêle, assurez-vous que l'aire sera toujours approvisionnée d'air frais. Un manque d'air pourrait appauvrir tous les appareils à combustion de vos quartiers et possiblement causer une condition dangereuse. L'approvisionnement d'air de combustion de l'extérieur pourrait être nécessaire pour garantir que les appareils à combustion ne créent pas d'émanations dangereuses à l'intérieur. Le guide pour déterminer le besoin d'air de combustion supplémentaire pourrait ne pas être exact dans toutes les situations. En cas de doute, nous conseillons d'amener un approvisionnement d'air supplémentaire. De l'air de combustion extérieur pourrait être requis si les indications ci-dessous, ou d'autres indications, suggèrent que l'apport d'air est insuffisant :

- Le poêle à grenailles de bois n'aspire pas de façon constante et produit des bouffées de fumée, les grenailles ne brûlent pas facilement et le tirage de la cheminée s'inverse lors de combustion ou non.
- Autre équipement de combustion dans la maison, tel un foyer ouvert ou autre appareil de combustion dégageant odeur de combustion ou ne fonctionnant pas adéquatement, dégage de la fumée dans la pièce lorsqu'ouvert pour chargement ou soumis à un tirage inverse de cheminée lors de combustion ou non.
- Si n'importe lequel des symptômes ci-dessus se redresse lors de journées non venteuses ou en ouvrant une fenêtre légèrement.
- La maison est très étanche avec pare-vapeur et fenêtres bien scellées ou possède des dispositifs d'expulsion d'air intérieur.
- Une condensation excessive se produit dans les fenêtres en hiver.
- Un système d'aération est installé sur la maison.

De l'air de combustion supplémentaire pourrait être approvisionné au poêle à grenailles de bois directement de l'extérieur par l'entremise de la trousse d'entrée d'air comprise pour se connecter à l'entrée d'air en bas à l'arrière du poêle. Toute installation de la sorte devra satisfaire la Clause 4 de la norme B365 de la CSA.

⚠ ATTENTION : NE JAMAIS ASPIRER D'AIR DE COMBUSTION DU :

- PLÉNUM D'AIR DES MURS, DU PLANCHER ET DU PLAFOND.
- D'UN ESPACE CLOS TEL UN GRENIER, UN VIDE SANITAIRE OU UN GARAGE.

⚠ ATTENTION : SI UN TUYAU D'ENTRÉE D'AIR EST RACCORDÉ, ALORS LE POÊLE DEVRA ÊTRE FIXÉ À LA STRUCTURE DE LA MAISON.

EXIGENCES D'ÉVACUATION ADDITIONNELLE

Un minimum de 1,8 m (6 pi) de tuyau d'évent (n'incluant pas les coudes) doit être utilisé.

- Utiliser un tuyau d'évent de 8 cm (3 po) pour le système en entier, OU il est possible d'utiliser un adaptateur de 10/15 cm (4 ou 6 po) sur l'évacuation, immédiatement là où elle quitte le poêle.
- Si le système a plus de 4,9 m (16 pi), utiliser un tuyau d'évent de 10 cm (4 po).
- La longueur minimale du conduit vertical est de 1,2 m (4 pi), et un coude à 45 degrés/chapeau de cheminée est requis sur la terminaison de l'évacuation.

IMPORTANT: Un scellant à la silicone doit être ajouté entre les doubles parois d'un conduit terminal.

EXIGENCES ET ASSEMBLAGE DES RACCORDS

⚠ ATTENTION : LE TUYAU DE RACCORDEMENT DE CHEMINÉE NE DOIT PAS TRAVERSER LE GRENIER OU LE TOIT, OU TOUT GARDE-ROBE OU ARMOIRE (OU AUTRE ESPACE CLOS) NI LE PLANCHER OU LE PLAFOND. POUR LE RACCORDEMENT D'APPAREILS DE CHAUFFAGE À COMBUSTIBLE SOLIDE À TRAVERS UN MUR OU PARTITION DE MATÉRIAU COMBUSTIBLE, L'INSTALLATION DEVRA ÊTRE CONFORME À LA NORME CAN/CSA-B365.

Tous les tuyaux et coudes devraient être installés avec l'extrémité à sertir vers le poêle (et non vers la sortie de la cheminée) et devraient être fixés avec trois vis à métal réparties également sur la circonférence.

Les raccords, coudes et sections de cheminée devraient être de type « L » ou « PL » et de diamètre de 80 mm (3 po) puisque le système d'aspiration est basé sur une pression négative dans la chambre à combustion et une légère surpression à la sortie des gaz. Il sera donc important que le raccordement de la tuyauterie soit bien ajusté et scellé.

Nous recommandons que la tuyauterie des raccords, des coudes et de la cheminée soient de type B pour aération à double paroi et de calibre minimum n°24.

Veillez noter que les coudes dans le système d'échappement réduisent le débit d'air, diminuant la performance et qu'ils offrent un point d'accumulation de dépôts de cendre nécessitant un nettoyage plus fréquent.

⚠ ATTENTION : LES JONCTIONS DE TOUS LES TUYAUX DE RACCORDEMENT DE SYSTÈME D'AÉRATION (CANALISATION OPTIONNELLE D'ENTRÉE D'AIR OU ÉCHAPPEMENT DE COMBUSTION) DEVRONT ÊTRE SCELLÉES À L'AIDE DE SILICONE RÉSISTANT AUX TEMPÉRATURES ÉLEVÉES.

EXIGENCES GÉNÉRALES D'AÉRATION

⚠ ATTENTION : NE RACCORDER À AUCUNE CANALISATION OU SYSTÈME DE DISTRIBUTION D'AIR.

⚠ ATTENTION : NE PAS RACCORDER CETTE UNITÉ À UNE CHEMINÉE CONNECTÉE À UN AUTRE APPAREIL.

⚠ ATTENTION : NE PAS INSTALLER DE REGISTRE DE TIRAGE À CLAPET DANS LE TUYAU D'ÉCHAPPEMENT DE CE POÊLE À GRENAILLES DE BOIS.

⚠ ATTENTION : NE PAS INSTALLER DANS UN FOYER.

Ce poêle à grenailles de bois doit être connecté à une cheminée portant l'une ou l'autre des homologations suivantes :

- Enregistrement de classe A conforme aux exigences du type HT de la norme UL 103 (Standard for Chimneys, Factory-Built, Residential Type and Building Heating Appliance)
- Cheminée de maçonnerie certifiée ICBO (International Conference of Building Officials) pour les poêles à combustible solide.

CAPUCHON D'ÉVENT

- Installer l'évent d'échappement en respectant les distances de dégagement spécifiées par le fabricant.
- Installer le capuchon d'évent d'échappement en respectant les distances de dégagement spécifiées par le fabricant.
- Si vous utilisez la trousse d'entrée d'air, assurez-vous qu'il y ait au moins 30 cm (12 po) de dégagement entre le capuchon d'évent et la bouche d'entrée d'air.
- Il est aussi recommandé de garder au moins 30 cm (12 po) de dégagement entre la sortie d'évent et les fenêtres, portes ou coins de murs extérieurs.
- Les endroits traversés vers l'extérieur par la cheminée ou d'autres composants devront être scellés à la silicone.

- Pour confirmer que toutes les exigences sont respectées, se référer aux codes locaux.

Les cheminées verticales devront répondre aux exigences minimales suivantes :

- Longueur minimum de 4,6 m (15 pi) mesuré du dessus du poêle jusqu'au dessus du capuchon de la cheminée.
- Si la faîte du toit se trouve à une distance verticale de moins de 305 cm (10 pi) du point de sortie de la cheminée, le dessus de son capuchon devra dépasser le plus haut point du toit de d'au moins 61 cm (2 pi).
- La longueur de la cheminée dépassant le toit doit être d'un minimum de 91 cm (3 pi).

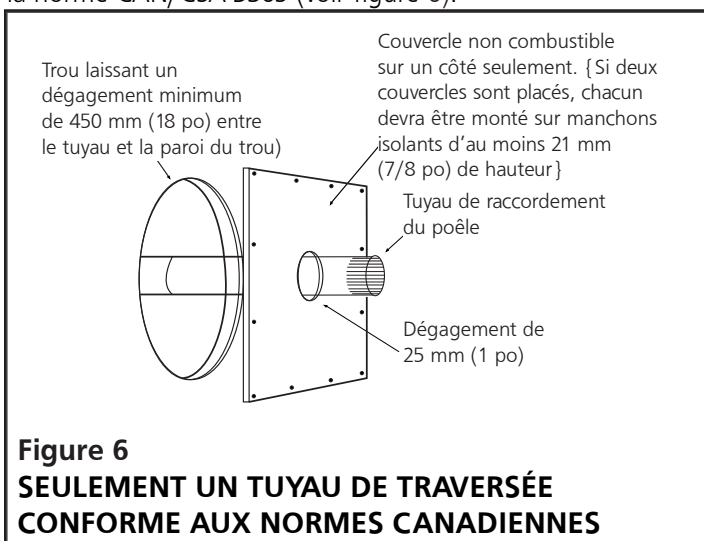
Les cheminées horizontales devront répondre aux exigences minimales suivantes :

- Être à une hauteur d'au moins 30 cm (12 po) au dessus du sol ou autres obstructions (patio, balcon, véranda ou bosquet de végétation).

TRAVERSÉE DE MUR

Lorsque le passage à travers un mur ou une partition de matériau inflammable est requis, le montage devra se conformer aux directives du fabricant.

REMARQUE : Au Canada, l'installation devra être conforme à la norme CAN/CSA-B365 (voir figure 6).



EXIGENCES SUPPLÉMENTAIRES POUR MAISONS MOBILES

⚠ AVERTISSEMENT : NE PAS LOCALISER DANS LES CHAMBRES À COUCHER.

PIÈCES ET MATÉRIAUX REQUIS (NON FOURNIS)

- Une cheminée de diamètre de 80 mm (3 po) conforme à la norme UL-103 (Standard for Factory-Built Chimneys for Residential Type and Building Heating Appliances).
- Gaine aérée de plafond adéquate pour utilisation dans les maisons mobiles.
- Gaine aérée de toit adéquate pour utilisation dans les maisons mobiles.

TECHNIQUES DE TRAVERSÉE DE MUR APPROUVÉES NFPA 211 (É-U SEULEMENT)

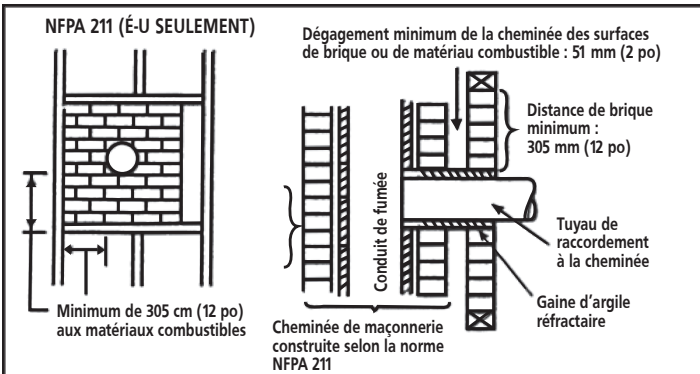


Figure 7 (É-U SEULEMENT)

Maçonnerie de brique : Maçonnerie de briques de 89 mm (3,5 po) d'épaisseur compris dans un mur de matériau combustible avec une séparation de brique d'un minimum de 305 mm (12 po) de la gaine d'argile aux matériaux combustibles. La gaine d'argile réfractaire devra couvrir l'étendue entre la surface extérieure du mur de brique jusqu'à atteindre la surface intérieure du conduit de cheminée, sans y pénétrer, et devra être bien cimentée en place.

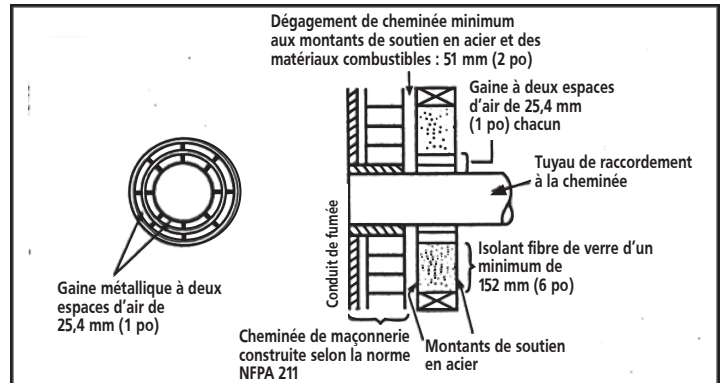


Figure 9 (É-U SEULEMENT)

Gaine à espaces d'air : Tuyau de raccordement à la cheminée d'épaisseur minimale de calibre n° 24 avec gaine métallique de calibre minimal n° 24 à deux espaces d'air de 25,4 mm (1 po) isolée des matériaux combustibles par au moins 152 mm (6 po) de fibre de verre. L'ouverture devra être recouverte et la gaine supportée par des montants d'acier de calibre minimum n° 24.

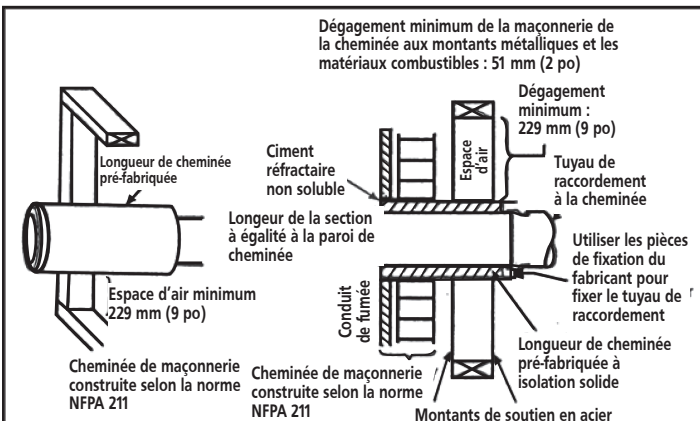


Figure 8 (É-U SEULEMENT)

Manchon isolé : Longueur de cheminée pré-fabriquée avec isolant solide de diamètre interne identique au raccord de sortie du poêle et 25,4 mm (1 po) ou plus d'isolant montée avec un minimum de 229 mm (9 po) d'espace d'air entre la paroi extérieure de celle-ci et des matériaux combustibles.

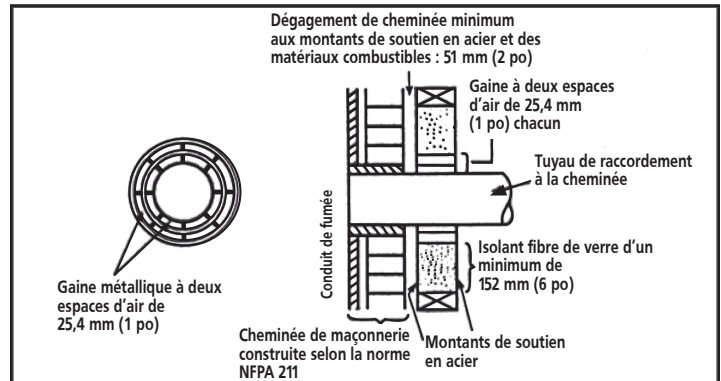


Figure 10 (É-U SEULEMENT)

Section de cheminée comme traversée : Longueur de cheminée pré-fabriquée à isolation solide d'au moins 25,4 mm (1 po) d'épaisseur ayant un diamètre intérieur 51 mm (2 po) plus grand que le tuyau de raccordement de tôle de calibre minimum n° 24 et dont tout matériau combustible se trouve à au moins 51 mm (2 po) de la paroi extérieure de la section de cheminée. La longueur minimale de la section de cheminée devra être de 305 mm (12 po) supportée par des montants métalliques à une hauteur laissant 25,4 mm (1 po) de dégagement autour du tuyau de raccordement. L'ouverture devra être recouverte et la section de cheminée supportée et fixée à deux montants d'acier de calibre minimum n° 24. La quincaillerie de fixation de la section de cheminée ne doit pas perforer sa paroi interne.

- Parafoudre adéquat pour utilisation dans les maisons mobiles.
- Solin de toit adéquat pour utilisation sur les maisons mobiles.

EXIGENCES D'INSTALLATION SUPPLÉMENTAIRES

- La cheminée devra être directement attachée à l'appareil de chauffage et devra dépasser le toit traversé d'au moins 0,9 m (3 pi).
- Le dessus de la cheminée devra dépasser d'au moins 0,6 m (2 pi) tout objet élevé dans un rayon de 3 m (10 pi) de la cheminée.
- Les sections d'extrémité de la cheminée devront pouvoir être démontées jusqu'à une hauteur de 4,1 m (13,5 pi) au-dessus du sol sans nécessiter d'équipement particulier.
- Le montage de la cheminée devra être sécurisé par une fixation mécanique au support du toit et du plafond.
- Exigences de gardes protectrices de cheminée :
 - Lorsque la cheminée sort de la maison mobile à un endroit autre qu'à travers le toit à une hauteur de moins de 2,1 m (7 pi) au-dessus du sol, une garde protectrice entourant la cheminée devra être installée sur toute la longueur de la cheminée en-dessous de 2,1 m (7,pi).
 - La garde protectrice ne devra pas comporter d'ouverture pouvant laisser pénétrer tout objet de diamètre de 19 mm (3/4 po) ou plus.
 - La garde protectrice ne devra pas comporter d'ouverture pouvant laisser pénétrer tout objet de diamètre de 16 mm (1/2 po) ou moins à plus de 102 mm (4 po) à l'intérieur.
- Le poêle doit être monté sur un plancher à niveau pouvant supporter son poids.
- Le poêle devra être boulonné à la surface au niveau de façon permanente pour ne pas qu'il puisse être déplacé, être basculé ou placé de façon compromettant une aération adéquate.
- Une canalisation permanente d'admission d'air frais pour entretenir la combustion devra être installée en répondant aux exigences suivantes :
 - La canalisation devra être totalement métallique sans comporter d'autre matériau tel le plastique.
 - Son extrémité devra posséder un grillage prévenant la vermine de s'y infiltrer.
 - La bouche d'entrée devra être libre en tout temps de feuilles, neige, glace ou autre débris pouvant restreindre l'alimentation d'air pour un fonctionnement adéquat de l'appareil.

- Les jonctions de tous les tuyaux de raccordement des deux systèmes d'aération (l'entrée et l'évacuation d'air) devront être scellées à l'aide de silicone résistant aux températures élevées.
- La cheminée devra être conforme à tous les codes applicables et exigences des autorités ayant juridiction.
- Si la maison mobile doit être déplacée, la cheminée devra être déposée et reposée selon les codes locaux à sa destination.

Le système du conduit de fumée est basé sur une pression négative dans la chambre à combustion et une légère surpression à la sortie des gaz. Il sera donc important que le raccordement de la tuyauterie soit bien ajusté et scellé.

⚠ ATTENTION : L'INTÉGRITÉ STRUCTURELLE DU PLANCHER, DES MURS, DU PLAFOND ET DU TOIT DEVRA ÊTRE MAINTENUE.

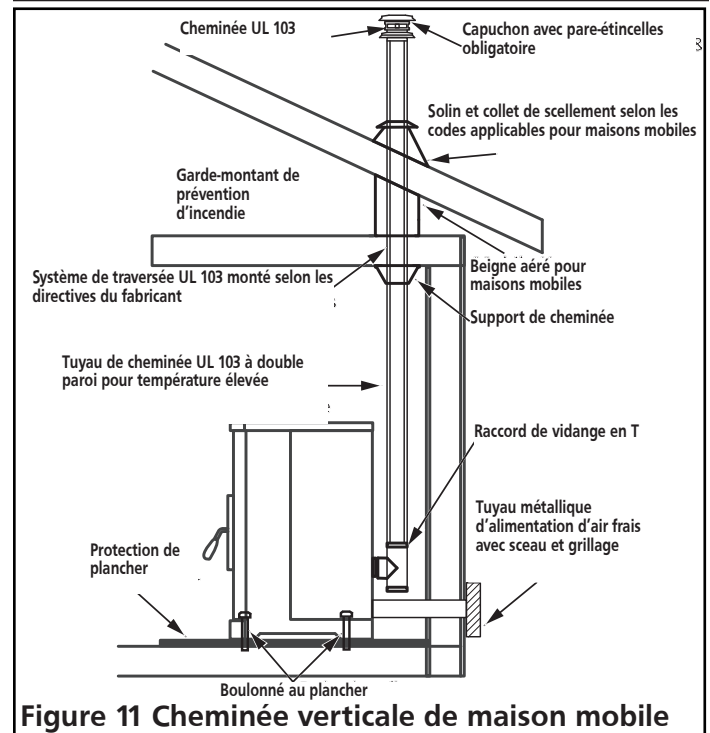


Figure 11 Cheminée verticale de maison mobile

INSTRUCTIONS ET SCHÉMA DE CHEMINÉE DE MAÇONNERIE AVEC CONDUIT DE FUMÉE

Ce poêle est conçu pour une évacuation par une cheminée de maçonnerie conforme au code du bâtiment et code des incendies locaux ainsi qu'aux dernières éditions des normes NFPA 211 aux États-Unis ou CSA-B365 au Canada.

1. Si la tuyauterie de raccordement du poêle à la cheminée de maçonnerie est faite à travers un mur de matériau combustible, consultez un maçon qualifié ou un dépositaire de cheminée pour des conseils. Pour garantir la sécurité de l'installation, celle-ci devrait seulement être faite par un

installateur qualifié. L'installation devra être faite en conformité aux règlements établis et aux codes du bâtiment et des incendies locaux.

- Le tuyau de raccordement à la cheminée ne devra pas causer obstruction à l'intérieur du conduit de fumée comme montré à la figure 12 ci-dessous.

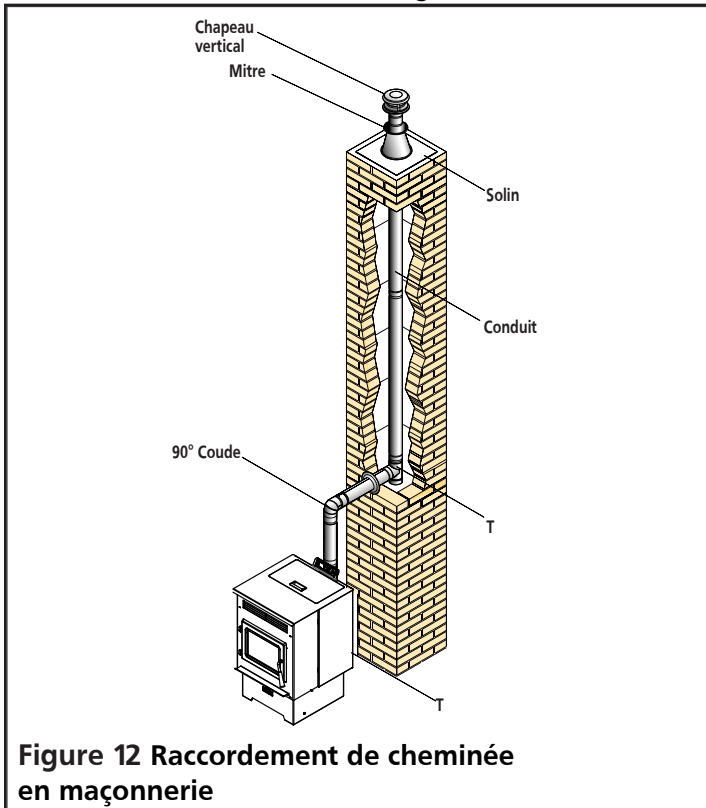


Figure 12 Raccordement de cheminée en maçonnerie

- Toute ouverture à la base de la cheminée devra être fermée de façon étanche.

INSTRUCTIONS ET SCHÉMA DE CHEMINÉE PRÉFABRIQUÉE

⚠ AVERTISSEMENT : NE PAS SE SERVIR D'UN TUYAU DE POÊLE À PAROI UNIQUE COMME CHEMINÉE.

Ce poêle est conçu pour être utilisé soit avec une cheminée pré-fabriquée possédant un enregistrement UL 103HT (aux États-Unis) ou ULC-S629 (au Canada) ou avec une cheminée de maçonnerie avec conduit de fumée approuvée. Les cheminées pré-fabriquées ne sont pas toutes enregistrées UL103 HT/ULC-S629. Les centres de rénovation domiciliaires, les quincailleries et les magasins de fournitures CVCA ainsi que les sites Web de fabricants de cheminées pourront vous fournir des tuyaux de poêle isolés répondant à ces normes.

Cet enregistrement indique que ces produits sont conçus pour une température élevée jusqu'à 1149° C (2100° F).

N'assembler que des sections provenant du même fabricant. Ne pas utiliser des sections de différentes marques dans un même système d'aération.

Les illustrations ci-dessous montrent différentes méthodes et exigences d'utilisation de cheminée pré-fabriquée et des tuyaux de raccordement au poêle.

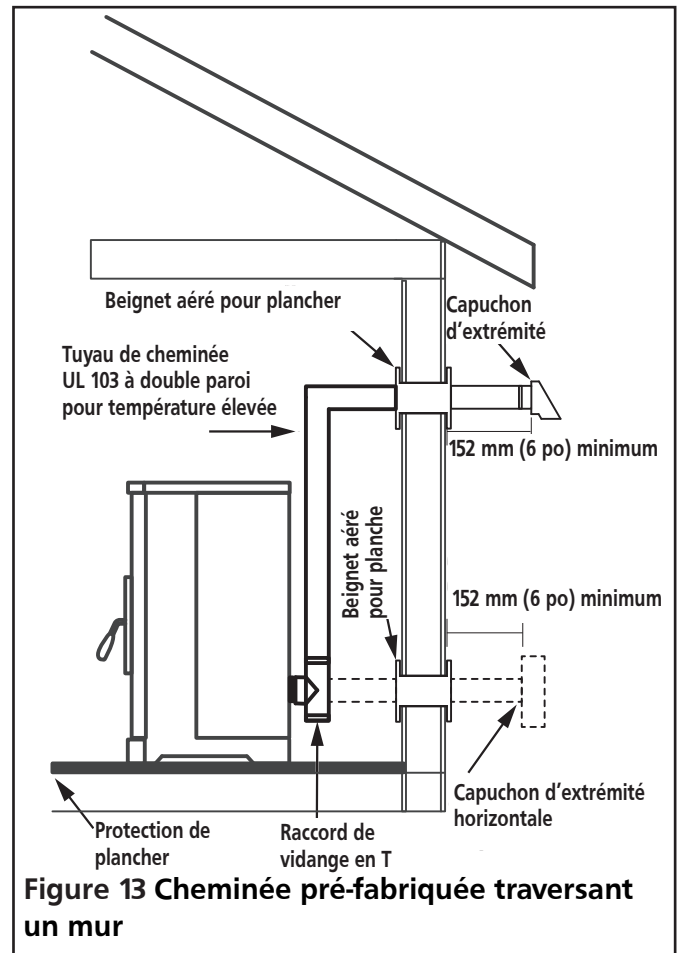


Figure 13 Cheminée pré-fabriquée traversant un mur

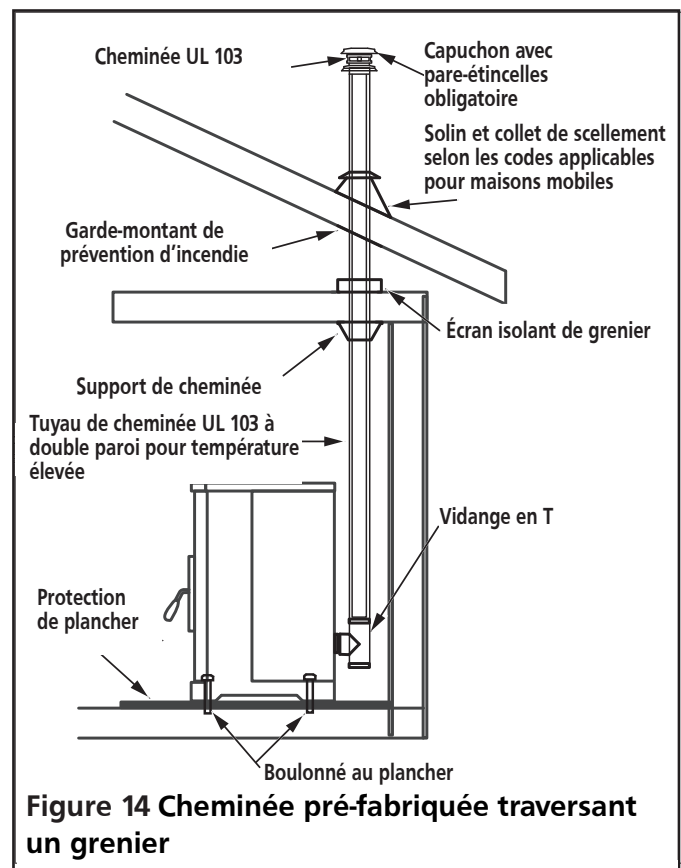
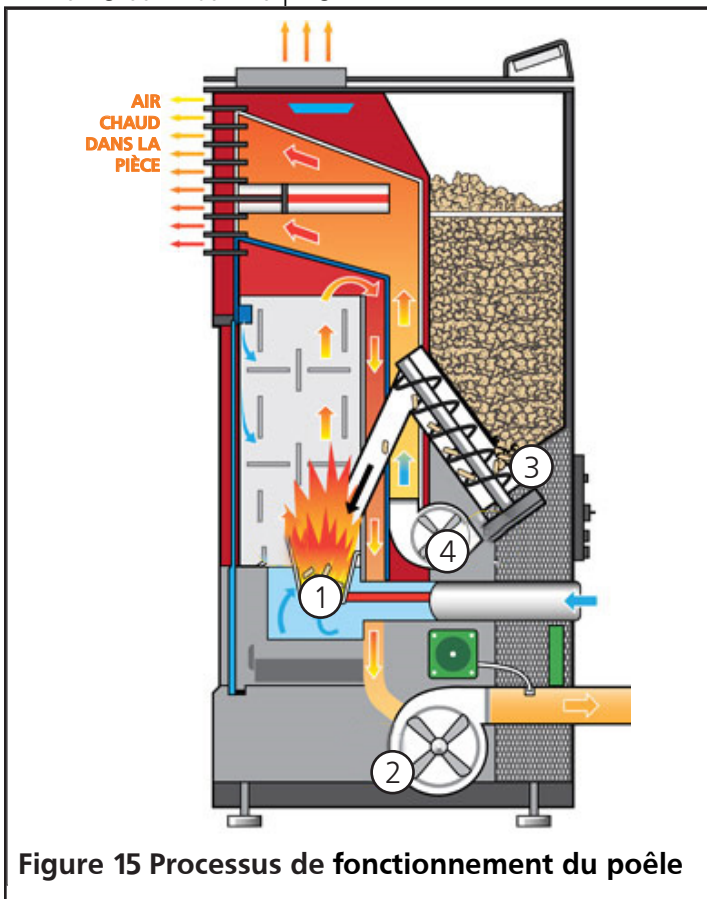


Figure 14 Cheminée pré-fabriquée traversant un grenier

FONCTIONNEMENT

THÉORIE DE FONCTIONNEMENT

1. La combustion se produit dans le pot du poêle qui est alimenté en air par des trous en périphérie et en-dessous de celui-ci. Veuillez noter que de l'air est soufflé par le dessus de la chambre de combustion, prévenant l'accumulation de cendre et de débris sur la porte.
2. Le ventilateur d'échappement aspire les produits consommés volatils et les expulse par la tuyauterie de sortie installée par l'utilisateur.
3. La tarière transfère les grenailles de la trémie au pot de combustion pour alimenter le feu.
4. Un ventilateur de l'appareil à convection fait circuler l'air sur les parois externes du pot à combustion propageant l'air chauffé dans la pièce.



COMBUSTIBLE APPROUVÉ :

Ne pas utiliser de grenailles de qualité inférieure à la première qualité PFI. Les grenailles de bois franc naturelles à 100 % (non traitées, sans agent agglomérant et d'un maximum de 5 % d'écorce) sont le seul combustible approuvé pour utilisation avec ce poêle. Pour un rendement maximum, voir les spécifications ci-dessous :

- Valeur calorifique de 5,3 kWh/kg
- Densité de 700 kg/m³
- Les grenailles devraient être à faible production de cendre (moins de 1 %)
- Les grenailles devraient être de moins de 30 mm de long et de diamètre entre 5 et 6,5 mm.

- Ne pas utiliser les sédiments et débris au fond des contenants de grenailles.
- Entreposer les grenailles dans des sacs à deux ou trois couches de papier (comme ceux des sacs de ciment) ou faits de produits synthétiques biologiquement dégradables et neutres au point de vue environnemental.

L'utilisation de grenailles de bois non conformes à ces spécifications pourrait résulter en des problèmes d'allumage, une plus grande production de crésote ou l'accumulation de cendres volatiles, de combustion incomplète, une faible production de chaleur et le noircissement de la porte vitrée.

⚠ ATTENTION : NE PAS SE SERVIR DE PRODUITS CHIMIQUES OU DE LIQUIDES POUR DÉMARRER LA COMBUSTION.

⚠ ATTENTION : NE PAS INSÉRER DE DÉCHETS OU DE PRODUITS INFLAMMABLES TEL L'ESSENCE, LE NAPHTA OU DE L'HUILE À MOTEUR DANS LE POT DE COMBUSTION.

⚠ ATTENTION : NE JAMAIS TENTER D'UTILISER UN DES PRODUITS ÉNUMÉRÉS CI-DESSOUS COMME COMBUSTIBLE :

- Produits du papier, carton ou panneau de particules;
- Déchets;
- Carcasses ou fumier d'animaux;
- Résidus de tonte de gazon ou déchets de cultures;
- Produits du pétrole usés;
- Charbon;
- Débris de construction ou de démolition;
- Traverses de chemin de fer ou bois traité sous pression;
- Matériaux comprenant
 - amiante
 - plastic
 - caoutchouc (pneus compris)
- Produits du pétrole tel
 - peintures
 - solvants à peinture
 - produits d'asphalte

BRÛLER CES MATÉRIELS POURRAIT CRÉER DES ÉMANATIONS TOXIQUES OU RENDRE LE POÊLE INUTILISABLE ET DÉGAGER DE LA FUMÉE

Ne pas remiser les grenailles de bois ou d'autres produits d'allumage sur le protecteur de plancher, sous le tuyau de raccordement à la cheminée ou n'importe où à une distance inférieure aux dégagements minimum des surfaces combustibles indiqués à la page 5.

Les grenailles de bois devraient être entreposées dans un endroit sec et bien aéré.

⚠ MISE EN GARDE : NE PAS stocker les granulés non utilisés dans le poêle pour une utilisation ultérieure, car ils pourraient accumuler de l'humidité. L'utilisation de granulés humides ou mouillés peut entraîner des difficultés d'allumage, une combustion incomplète et un risque d'incendie dans la trémie.

PRÉCAUTIONS POUR LE FONCTIONNEMENT

⚠ AVERTISSEMENT : BRÛLANT DURANT LE FONCTIONNEMENT. NE PAS TOUCHER LE POÊLE. GARDER LES ENFANTS, LES VÊTEMENTS ET L'AMEUBLEMENT ÉLOIGNÉS. LE CONTACT POURRAIT CAUSER DES BRÛLURES.

⚠ ATTENTION : AVANT D'UTILISER LE POÊLE S'ASSURER QUE LE POT DE COMBUSTION ET LE CABARET SOUS-JACENT SONT PROPRES ET BIEN POSITIONNÉS.

⚠ AVERTISSEMENT : NE JAMAIS UTILISER DE LIQUIDE D'ALLUMAGE DE CHARBON, DE KÉROSÈNE, D'HUILE À LAMPE OU D'ESSENCE POUR ALLUMER OU RÉ-ACTIVER LE FEU DANS CETTE UNITÉ. GARDER TOUTES CES SUBSTANCES BIEN À L'ÉCART DU POÊLE LORS DE SON FONCTIONNEMENT.

POLYMÉRISATION DE LA PEINTURE

Pour permettre à la peinture de se lier au poêle de façon durable, faites-le chauffer au réglage haut (P1) durant 60 minutes. Pour évacuer les émanations de fumée ou odeurs créées par ce processus de cure, ouvrez portes et fenêtres opposées de la pièce.

PROCÉDURE DE FONCTIONNEMENT : ALLUMAGE DU POÊLE

REMARQUE : Si l'afficheur indique que le cycle d'extinction est en cours (« Switching Off »), ce cycle ne pourra être annulé. En cas de tentative, un message indiquera que le cycle ne peut être interrompu. Le poêle pourra seulement être rallumé après que le cycle d'extinction sera terminé après que l'échangeur de chaleur aura refroidi.

REMARQUE : NE PAS UTILISER DE GRILLE, FER OU TOUT AUTRE DISPOSITIF POUR PLACER LES GRENAILLES DE BOIS DANS LE POT DE COMBUSTION. SEUL LE POT LUI-MÊME, PARTICULIER À VOTRE MODÈLE DE POÊLE, DOIT ÊTRE UTILISÉ.

1. Branchez le cordon d'alimentation dans la prise située à l'arrière du poêle et appuyez sur l'interrupteur à bascule rouge MARCHE/ARRÊT situé au-dessus sur MARCHE. Voir Figure 16.

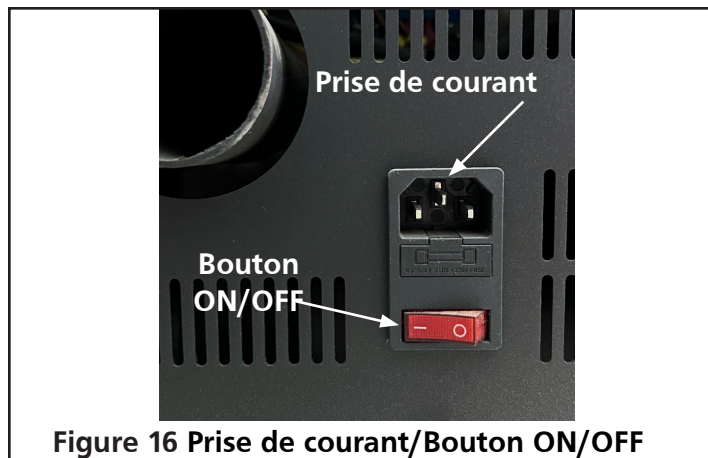



Figure 16 Prise de courant/Bouton ON/OFF

REMARQUE: POUR EMPÊCHER LE POÊLE DE FONCTIONNER, ÉTEINDRE L'INTERRUPTEUR D'ALIMENTATION ROUGE EN BAS, À L'ARRIÈRE DU POÊLE.

2. S'assurer que les joints d'étanchéité de la porte et du tiroir de cendre sont en bon état. Pour la première opération, ajouter une poignée de grenailles directement dans la chambre de combustion. Fermer le tiroir de cendre et les portes hermétiquement et s'assurer que les panneaux latéraux ont bien été installés.
3. Ouvrez la trémie. Assurez-vous qu'elle est suffisamment remplie. Refermez la trémie.
4. Appuyez sur le bouton d'alimentation  durant 3 secondes. Le poêle procédera automatiquement à effectuer ce qui suit :
 - Cycle de nettoyage : Le pot de combustion est nettoyé des cendres, poussières et résidus accumulés.
 - Cycle d'alimentation : Les grenailles passeront de la trémie au pot de combustion par l'entremise de la tarière. Selon le modèle de poêle, ceci pourra prendre de 5 à 15 minutes.
 - Cycle d'allumage : L'allumeur à surface chaude électrique sera tout le cycle d'allumage et pendant quelques minutes après que le poêle se sera stabilisé et pour entamer la combustion des grenailles dans le pot. L'allumeur demeurera activé jusqu'à ce que la température de l'air/fumée d'échappement atteigne le seuil de température de fonctionnement autonome.
 - Cycle de stabilisation : Le système ajustera les fonctions pour procurer la température désirée. La stabilisation se poursuivra jusqu'à ce que le poêle lise la température souhaitée par le thermostat.
5. Le poêle est alors allumé.

PROCÉDURE DE FONCTIONNEMENT : EXTINCTION DU POÊLE

⚠ ATTENTION : APRÈS LE CYCLE DE REFROIDISSEMENT, LE POÊLE COMMENCERA AUTOMATIQUÉMENT UN NOUVEAU CYCLE DE FONCTIONNEMENT.

REMARQUE : LE POÊLE PEUT ÊTRE ÉTEINT DURANT TOUS LES CYCLES INDIQUÉS À L’AFFICHEUR EN ACTIONNANT ET MAINTENANT LE BOUTON D’ALIMENTATION DURANT TROIS SECONDES. UNE FOIS QUE L’AFFICHEUR INDIQUE QUE LE POÊLE EST EN MODE DE STABILISATION, ACTIONNEZ LE BOUTON D’ALIMENTATION UNE AUTRE FOIS. LE POÊLE SE METTRA EN CYCLE DE REFROIDISSEMENT (AFFICHÉ À L’ÉCRAN).

- Appuyez sur le bouton d’alimentation durant 3 secondes. Le poêle procédera automatiquement à effectuer ce qui suit :
 - Arrêt du chauffage : Les grenailles se trouvant dans la chambre de combustion continueront à se consommer et produire flamme et chaleur. Elles devraient être toutes consommées après 5 à 8 minutes. L’échangeur de chaleur pourra alors commencer à refroidir.
 - Goodbye : Le dernier message présenté à l’afficheur indiquant que le poêle s’est refroidi.
- Le poêle est alors éteint.

FONCTIONNEMENT AVEC UNE GÉNÉRATRICE ÉLECTRIQUE

Ce poêle est conçu pour avoir l’option d’être alimenté par une génératrice électrique, mais les génératrices ne sont pas toutes compatibles pour fonctionner avec cet appareil. Consultez les spécifications de votre génératrice concernant son régulateur de tension et assurez-vous qu’elles correspondent aux exigences de votre poêle telles qu’indiquées à la page 3.

COMMENT MINIMISER LA FORMATION DE CRÉOSOTE

Pour les explications concernant la formation et le nettoyage de créosote, voir ENTRETIEN on page 17. Pour ralentir l’accumulation de créosote dans votre cheminée, n’utilisez que les grenailles recommandées à la page 12.

DISPOSITION DES CENDRES

⚠ ATTENTION : DES BRAISES POURRAIENT SE TROUVER SOUS LA CENDRE. POUR LA MANIPULATION DES CENDRES UTILISEZ TOUJOURS DES OUTILS POUR CHARBONS ARDENTS, JAMAIS AVEC VOS MAINS! PORTER DES VÊTEMENTS IGNIFUGES ET UNE PROTECTION OCULAIRE.











Les cendres devraient être placées dans un contenant métallique avec un couvercle hermétique.

- D’autres rebuts ne doivent pas être mis dans le contenant de cendres.
- Le contenant de cendres fermé devrait être placé sur un plancher non combustible ou sur le sol, éloigné de tout matériau combustible jusqu’à ce qu’il soit refroidi.
- Les résidus minéraux du bois (environ 1 à 2 %) demeurent dans les cendres et sont un excellent fertilisant naturel pour tous les plants de jardin. Avant de disposer des cendres

en les enfouissant dans le sol ou en les dispersant d’autre façon, elles devraient être gardées dans le contenant fermé jusqu’à ce que toutes les braises aient refroidi et elles devraient également être éteintes avec de l’eau.

Fonctionnalité des boutons de la télécommande :

Les boutons de la télécommande affecteront le poêle de la même façon que les boutons sur l’appareil tel que défini en v :

Bouton de télécommande	Équivalent sur l’appareil
	
	
	
	
	

Remarque : Aucun témoin ou afficheur ne se trouve sur la télécommande, confirmant l’activation de la commande. Pour vérifier l’état de fonctionnement du poêle, installez l’application Smart Stove sur votre téléphone intelligent.

CONNEXION WI-FI « SMART STOVE »

L’état de votre poêle peut être surveillé, contrôlé et programmé en utilisant l’application Smart Stove. (par NHHATC) qui est disponible à votre magasin d’applications pour les plateformes iOS ou Android.

Étape 1. Téléchargez l’application Smart Stove de NHHATC

Étape 2. Ouvrez l’application Smart Stove. L’application s’ouvre, par défaut, à l’écran « S’inscrire ». Cliquez sur le bouton « S’inscrire ».

Étape 3. Entrez votre adresse courriel dans le champ « Courriel » et cliquez sur le bouton « Obtenir le code de vérification ».

Étape 4. Entrez le code de vérification qui vous a été envoyé par courriel dans le champ « Saisir le code de vérification ».

Étape 5. vous pouvez maintenant définir un mot de passe unique pour votre appareil dans le champ « Définir le mot de passe » et cliquer sur le bouton « Terminé ».

Étape 6. Si vous n’avez pas d’autres dispositifs Wi-Fi déjà actifs sur cette application, un gros bouton «Ajouter un appareil» se trouvera au centre de l’écran sur lequel vous pouvez taper. Autrement, sélectionnez le signe + du coin supérieur droit de l’écran.

Étape 7. Assurez-vous que le poêle se connecte au réseau Wi-Fi accédé par votre dispositif.

Étape 8. Assurez-vous que le poêle est branché dans une prise électrique et qu'il peut être mis en marche.

Étape 9. Suivez les directives à l'écran en appuyant et maintenant le bouton de connexion à l'arrière de l'afficheur durant 3 secondes comme montré ci-dessous. Lorsque la séquence de clignotement de recherche du témoin s'active, appuyez sur le bouton de confirmation au bas de l'écran.

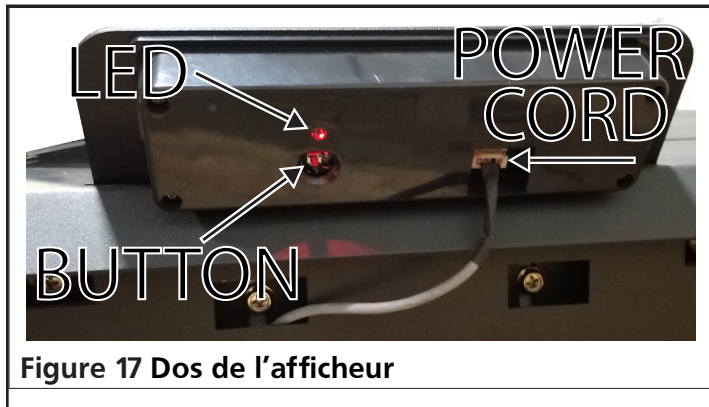


Figure 17 Dos de l'afficheur

Étape 10. Saisissez le mot de passe du réseau wi-fi de sorte que le poêle puisse se connecter au réseau.

Étape 11. Le poêle commencera la procédure d'appariement avec le dispositif utilisant l'application par l'entremise du réseau wi-fi. Ce processus pourrait prendre quelques minutes.

Étape 12. Après que le dispositif et l'appareil seront appariés vous pourrez voir l'icône du poêle à grenailles sous l'onglet « Devices » au bas de l'écran.

Étape 13. Sur votre dispositif, naviguez à vos vos réglages de dispositifs wi-fi qui comprendront maintenant le poêle comme un des choix. Sélectionnez le poêle comme votre connexion wi-fi.

Étape 14. Ouvrez à nouveau l'application Smart Stove sur votre téléphone.

Étape 15. Vous pouvez maintenant sélectionner ce poêle à partir de la liste des dispositifs ajoutés pour programmer, commander et surveiller le fonctionnement du poêle.

COMMANDES WI-FI

Une fois connecté au poêle (voir l'étape 11 de Connexion Wi-Fi), vous pourrez ajuster et surveiller le fonctionnement du poêle à distance. Voir les explications ci-dessous :

- Nom du dispositif : Il est possible de changer le nom du poêle pour différencier l'appareil commandé en utilisant l'application « Smart Stove » (si vous avez plus d'un poêle).

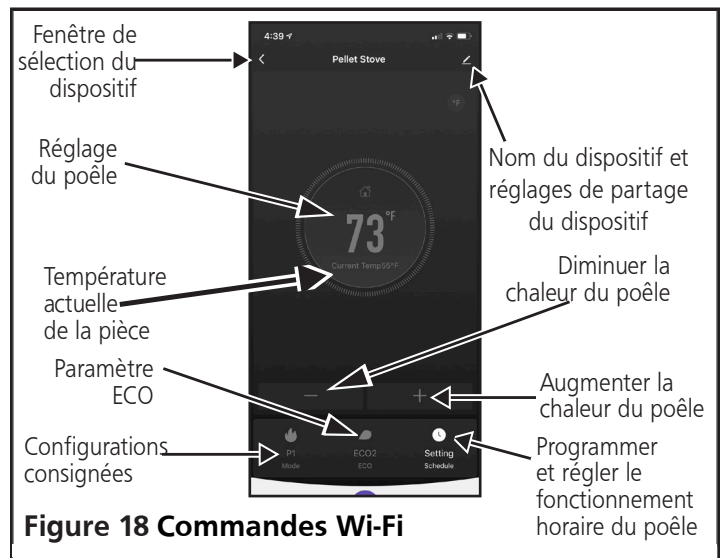
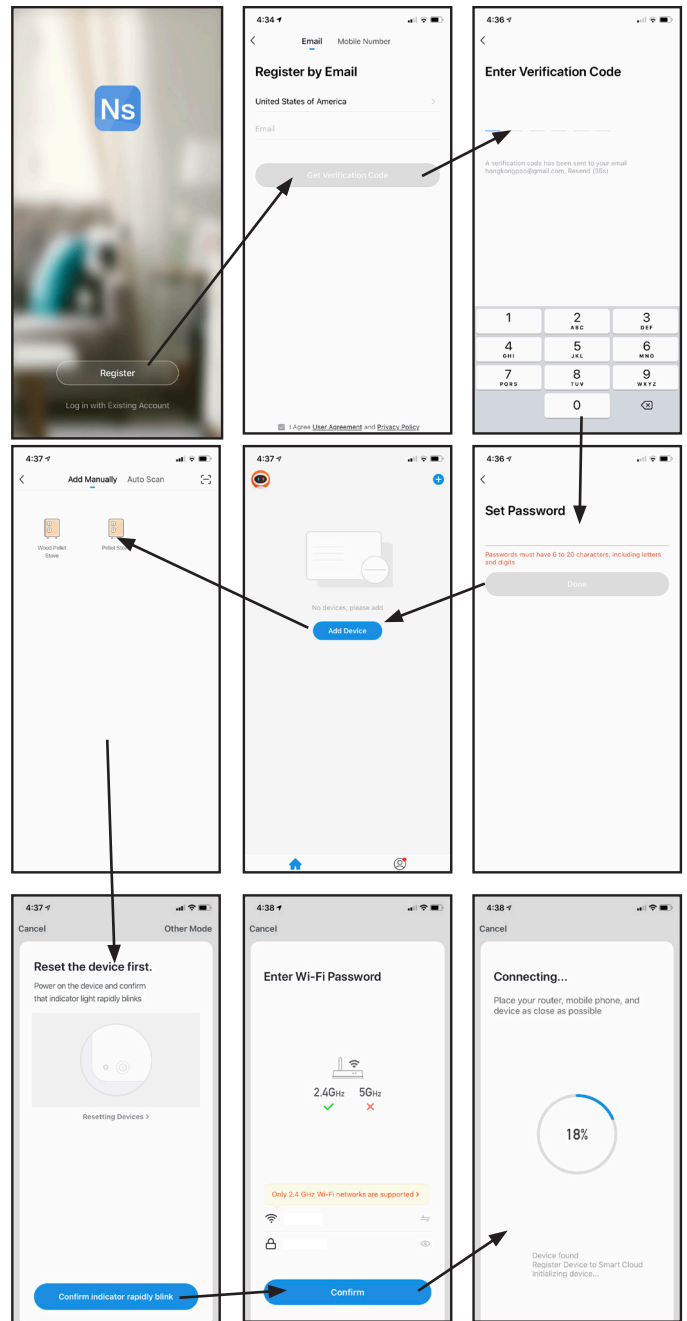


Figure 18 Commandes Wi-Fi

COMMANDES MULTI-FONCTIONS POUR PS60W, PS130W ET PSBF66W

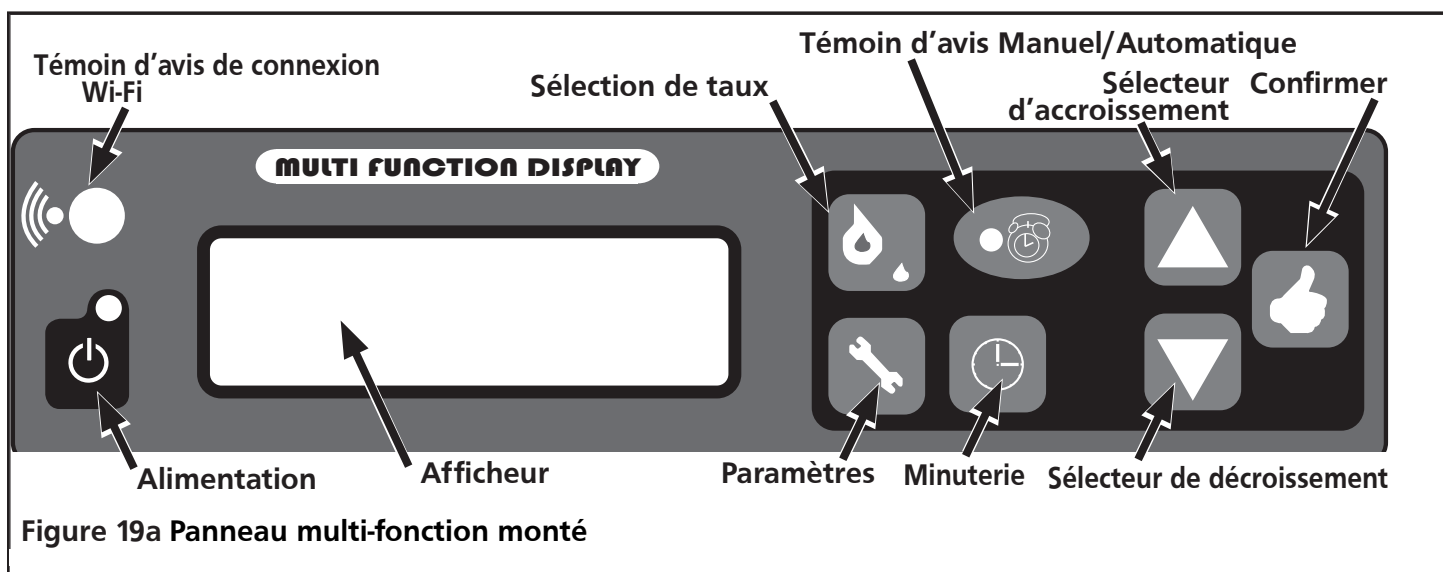


Figure 19a Panneau multi-fonction monté

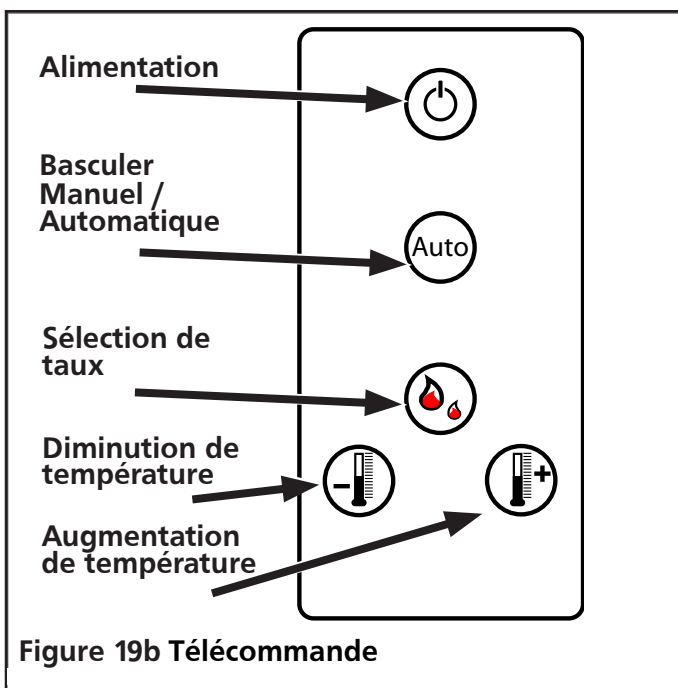


Figure 19b Télécommande

Fonctionnalité des boutons présents : Fonctionnement normal

	<ul style="list-style-type: none"> Le témoin s'allume lorsque le poêle est branché dans une prise électrique. Actionner le bouton d'alimentation pour allumer l'afficheur pour régler les paramètres. S'il n'y a pas d'interaction, l'afficheur s'éteindra après 10 secondes. Pour lancer l'allumage du poêle, actionner et maintenir le bouton d'alimentation durant 3 secondes. Pour lancer le cycle d'extinction, actionner et maintenir le bouton d'alimentation durant 3 secondes.
--	---

ATTENTION : Le fabricant a programmé les taux consignés pour garantir un fonctionnement convenable. Il est déconseillé de modifier ces consignes.

	<p>Actionner pour faire défiler les lectures de température (en Fahrenheit) (dans le coin supérieur droit de l'afficheur multi-fonction) :</p> <ul style="list-style-type: none"> ##(R) : Température de la pièce ##(S) : Température d'échappement ##(P) : Réglage du capteur de protection
	<p>Actionner pour augmenter la température à laquelle le poêle devra réchauffer la pièce. Cette valeur est affichée au coin supérieur droit de l'afficheur multi-fonction sous l'indicatif ##°F.</p>
	<p>Actionner pour diminuer la température à laquelle le poêle devra chauffer la pièce. Cette valeur est affichée au coin supérieur droit de l'afficheur multi-fonction sous l'indicatif ##°F.</p>
	<p>Actionner pour faire basculer entre la commande manuelle et la commande programmée. En mode de commande programmée, l'icône s'allumera.</p>
	<p>L'actionnement du sélecteur de taux fera défiler les quatre consignes de chauffage configurées. La consigne actuellement réglée est affichée en haut au centre de l'afficheur multi-fonction sous l'indicatif P#.</p> <ul style="list-style-type: none"> P1 [réglage de chauffage maximum] P2 [réglage de chauffage intermédiaire] P3 [réglage de chauffage bas] P4 [réglage de chauffage minimum]
	<ul style="list-style-type: none"> Actionner et maintenir le bouton de paramétrage durant 2 secondes pour accéder au menu de configuration. Pour quitter en tout temps le menu de configuration, actionner le bouton de paramétrage.

- Partage du dispositif : il est possible de partager la connexion au poêle avec d'autres dispositifs par messagerie SMS ou par courriel.
- Eco Mode : Il existe deux modes ECO pouvant être sélectionnés qui économiseront les granulés de bois tout en maintenant la température désirée. L'actionnement du bouton ECO permettra de basculer entre ces modes ou de les ignorer.
 - ECO 1 : Le poêle s'éteint lorsque la température désirée est atteinte. Il se rallumera à une température de la pièce pré-réglée en usine.
 - ECO 2 : Lorsque la température désirée est atteinte, le poêle passe en chauffage minimum (pré-réglage P4). Il se remettra à un réglage plus élevé lorsque la température de la pièce aura descendu à la température pré-réglée en usine.
- Configurations consignées : Quatre configurations peuvent être sélectionnées qui contrôlent la vitesse du ventilateur de combustion et du ventilateur de circulation d'air dans la pièce. L'actionnement du bouton Configurations consignées permettra de défiler entre les différentes configurations consignées ou d'ignorer les pré-réglages.
 - P1 [réglage de chauffage maximum]
 - P2 [réglage de chauffage intermédiaire]
 - P3 [réglage de chauffage bas]
 - P4 [réglage de chauffage minimum]

OPÉRATION MANUELLE DU POÊLE

AJUSTER LA VIS À GRANULES

(TAUX DE DISTRIBUTION DES GRANULES)

1. Utilisez le bouton Rate Select pour passer d'un réglage à l'autre, P1, P2, P3, P4. Les taux de distribution sont les suivants :

P1 : Taux de distribution [Maximum] des granulés

P2 : Taux de distribution [Moyen] des granulés

P3 : Taux de distribution [Bas] des granulés

P4 : Taux de distribution [Minimum] des granulés

Remarque : Si nécessaire, appuyez et maintenez enfoncé le bouton « Temps » pendant 2 à 5 secondes pour faire tourner la tarière.

AJUSTER LES VENTILATEURS

1. Tenez enfoncé le bouton Settings pendant 2 secondes.
2. Appuyez sur le bouton Confirm pour passer d'un réglage de taux de distribution des granulés à l'autre, tour à tour.

3. Ajustez le réglage « S » pour le ventilateur d'aération et le réglage « F » pour le ventilateur de soufflage en employant les boutons de sélection vers le haut et le bas.
4. Utilisez le bouton Time pour choisir le mode « S » ou « F ».

Remarque : Plus le réglage est bas, plus le ventilateur est lent. Ne changez les réglages que quelques chiffres à la fois.
5. Appuyez sur le bouton Settings pour revenir à l'écran d'accueil.

POUR CHANGER L'HEURE (HORLOGE 24 HEURES)

1. Tenez enfoncé le bouton Settings pendant 2 secondes.
2. Appuyez sur le bouton Confirm pour vous rendre à Modify Clock.
3. Utilisez le bouton Time pour passer des heures aux minutes.
4. Utilisez les boutons de sélection vers le haut et le bas pour changer l'heure actuelle.
5. Appuyez sur le bouton Settings pour revenir à l'accueil.

POUR FAIRE LE RÉGLAGE MARCHÉ/ARRÊT AUTOMATIQUE

1. Tenez enfoncé le bouton Settings pendant 2 secondes.
2. Parcourez les réglages avec le bouton Confirm jusqu'à ce que les jours de la semaine soient visibles.
3. Utilisez le bouton Time pour changer la journée.
4. Utilisez les boutons de sélection vers le haut et le bas pour indiquer quand le poêle doit être en marche ou éteint.

Remarque: La longue case signifie EN MARCHÉ, la case courte signifie ARRÊTÉ.

Remarque: Chaque case représente une heure de la journée sur une période de 24 heures. La première case est donc 0 h (minuit) et la dernière est 23 h (11 h du soir).

5. Appuyez sur le bouton Settings pour revenir à l'accueil.

CHANGER LES MODES ECO

1. Tenez enfoncé le bouton Settings jusqu'à ce que le poêle fasse entendre une tonalité.
2. Appuyez sur le bouton Confirm (sans le tenir enfoncé) sept fois de suite pour vous rendre à l'écran « Eco Mode ».
3. Appuyez sur le bouton Time pour circuler entre les différents modes Eco choisis.

4. Appuyez sur le bouton Settings pour revenir à l'écran d'accueil.

ECO 1 MODE

ECO 1: Le poêle s'arrête une fois que la température désirée est atteinte. Le poêle se remet en marche une fois que la pièce refroidit à la température réglée en usine.

ECO 2 MODE

ECO 2: Le poêle passe au réglage de puissance minimum P4 lorsque la température désirée est atteinte. Le poêle passe à un réglage de puissance plus élevé une fois que la pièce refroidit à la température réglée en usine.

TOUCHE DE COMMANDE

	CONFIRMATION (« CONFIRM »)
	BOUTON DE SÉLECTION VERS LE HAUT
	BOUTON DE SÉLECTION VERS LE BAS
	HEURE (« TIME »)
	RÉGLAGES (« SETTINGS »)
	SÉLECTION DU TAUX (« RATE SELECT »)

ENTRETIEN

Pour un bon rendement de fonctionnement ce poêle à grenailles de bois nécessite un entretien périodique. Toute opération ne respectant pas les directives du présent Guide du propriétaire contrevient à la réglementation fédérale.

⚠ ATTENTION : ÉTEINDRE ET DÉBRANCHER LE POÊLE DE LA PRISE DE COURANT AVANT TOUT ENTRETIEN.

⚠ ATTENTION : LAISSER LE POÊLE SE REFROIDIR AVANT D'EFFECTUER TOUT ENTRETIEN.

⚠ ATTENTION : DURANT TOUT DÉMONTAGE OU REMONTAGE, PRENDRE GARDE DE NE PAS ÉCHAPPER QUOI QUE CE SOIT (VIS ETC.) DANS LA TRÉMIE. LES DÉBRIS PEUVENT BLOQUER LA TARIÈRE ET ENDOMMAGER LE POÊLE.

La fréquence à laquelle votre poêle nécessitera un nettoyage et un entretien dépendra de la qualité des grenailles utilisées. Leur haut taux d'humidité ou l'utilisation de fragments poussiéreux ou comprenant des cendres pourrait faire doubler le besoin d'entretien du poêle. Utilisez seulement les grenailles de bois approuvées.

À chaque jour, nettoyez le pot de combustion et le cabaret de récupération alors que le poêle est refroidi, qu'il est débranché et qu'il ne s'y trouve pas de braises chaudes. À l'aide d'un aspirateur, nettoyez le pot de combustion de ses cendres et débris et puis soulevez le pot pour nettoyer le cabaret sous-jacent. Il est important que les ouvertures d'aération du pot ne soient pas obstruées de cendres ou de débris.

Un calendrier de nettoyage général serait comme suit :

- Pot de combustion : Après 10 sacs de grenailles de bois, ou de façon quotidienne. Selon la première éventualité.
- Tiroir de cendre : Après 50 sacs de grenailles de bois
- Canalisations internes : Après 100 sacs de grenailles de bois
- Ventilateur : Après 100 sacs de grenailles de bois

IMPORTANT: Il faut aussi s'assurer de vous référer au supplément concernant l'horaire de nettoyage, à la fin de cette section.

NETTOYAGE : POT DE COMBUSTION ET CABARET

⚠ ATTENTION : SI LE POÊLE EST POUR SERVICE CONTINU, IL DEVRA ÊTRE ÉTEINT AUX INTERVALLES DE 24 HEURES POUR NETTOYER LE POT DE COMBUSTION ET LE CABARET. LAISSER TOUJOURS LE POÊLE REFROIDIR ET LES BRAISES S'ÉTEINDRE AVANT LE NETTOYAGE.

Assurez-vous de replacer le pot de combustion dans la bonne orientation de sorte que les grenailles puissent être alimentées et allumées sans problème.

NETTOYAGE : VITRE

⚠ AVERTISSEMENT : NE PAS NETTOYER LA VITRE LORSQUE CHAUDE.

Bien que la circulation d'air sur la porte vitrée réduit l'accumulation de cendre acide sur la vitre, son nettoyage sera quand-même requis périodiquement. Le nettoyage est nécessaire pour prévenir l'affaiblissement du verre, ce qui pourrait augmenter son risque de fendillement. Il n'est pas acceptable de faire fonctionner un poêle avec une vitre fendillée ou brisée.

Le meilleur moyen de nettoyer la porte vitrée est d'utiliser un linge humide enduit de cendres refroidies. Pour la saleté incrustée consultez votre quincailler ou un expert d'entretien de poêles pour des conseils de produits nettoyants.

⚠ AVERTISSEMENT : NE PAS NETTOYER LA VITRE AVEC UN PRODUIT ABRASIF OU TOUT AUTRE MOYEN QUI POURRAIT ÉGRATIGNER OU ENDOMMAGER LE VERRE.

NETTOYAGE : CANALISATIONS D'ENTRÉE ET DE SORTIE

Le canalisation d'entrée et de sortie devraient être nettoyées au moins une fois par année. La consommation de grenailles produisant un taux élevé de cendres pourrait nécessiter un nettoyage plus fréquent de canalisation.

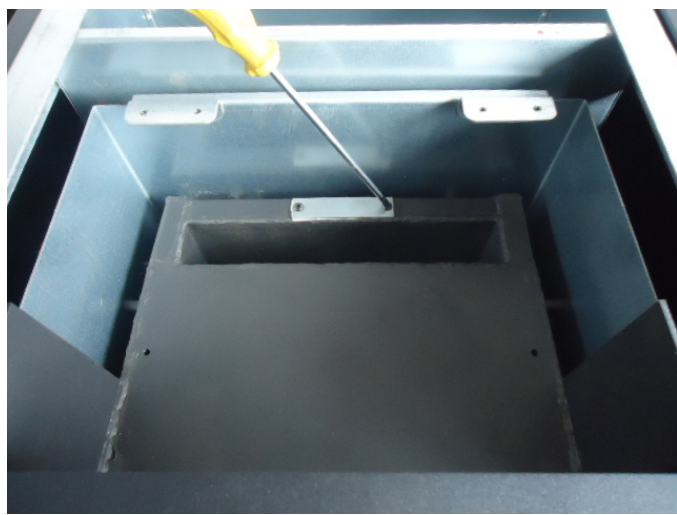


Figure 20 Canalisation de sortie

Un panneau d'accès se trouve de chaque côté du poêle qui peut être déposés en dévissant ses vis de fixation. Voir les figures 21, 24 et 25. Éteindre le poêle, le laisser se refroidir et le débrancher avant tout démontage et nettoyage.

Utiliser une brosse dans les ouvertures pour dégager toute accumulation de cendre et nettoyer à l'aide d'un aspirateur. Remettre les panneaux en place et les fixer solidement avec leurs vis à tête Allen.

Deux autres ouvertures des canalisations d'entrée et de sortie sont accessibles en déposant le tiroir de cendre. Desserrer les deux vis de 5/32 po à tête Allen montrées à la Figure 20. Faire pivoter les couvercles pour exposer l'ouverture. À l'aide d'une brosse, dégager toute accumulation de cendre. Utiliser une brosse dans les ouvertures pour dégager toute accumulation de cendre et nettoyer à l'aide d'un aspirateur. Replacer les couvercles devant les ouvertures et les fixer solidement avec leurs vis à tête Allen.

NETTOYAGE : VENTILATEUR DE CONVECTION

En vous tenant devant le poêle, vous trouverez le moteur du ventilateur faisant circuler l'air autour du pot et le dirigeant dans la pièce, sur le côté droit. Pour y accéder, ouvrir et déposer le panneau latéral. Nettoyez le ventilateur de convection au besoin alors que le poêle est refroidi, qu'il est débranché et qu'il ne s'y trouve pas de braises chaudes. Lors de l'opération de nettoyage, prenez garde de ne pas endommager les pales du ventilateur. A l'aide d'un aspirateur, nettoyer toute accumulation de poussière sur les pales du ventilateur et à l'intérieur de la canalisation.



PS130W



PS60W, PSBF66W

Figure 21 Démontage du ventilateur de convection

NETTOYAGE : TUYAU DE SORTIE D'ÉCHAPPEMENT

Inspecter le système d'aération de sortie au moins une fois par année et déterminez si un nettoyage est requis. Des cendres, de la suie et de la crésote peuvent se produire durant le démarrage, l'extinction et le mauvais fonctionnement. Pour nettoyer le système d'aération, insérez une brosse de nettoyage de dimension appropriée dans le tuyau pour dégager et retirer toute cendre ou accumulation de débris. L'accumulation de débris et les cendres peuvent restreindre le débit de gaz qui affectera la performance du poêle, et ne pas retirer la crésote pourrait résulter en un dangereux feu de cheminée.

CENDRES VOLANTES - FORMATION ET BESOIN DE RETIRER

Les produits de combustion comprendront de petites particules de cendres volantes. Les cendres volantes s'accumuleront dans le système d'échappement et restreindront l'évacuation des gaz de sortie. La combustion incomplète qui se produit durant le démarrage, l'extinction ou lors de mauvais fonctionnement du poêle conduira à la formation de suie qui s'accumulera dans le système d'échappement des gaz. Le système d'aération de sortie devra être inspecté au moins une fois par année pour déterminer si un nettoyage est requis. Pour dégager les accumulations de la canalisation, utilisez une brosse de cheminée de taille appropriée.

CRÉOSOTE - FORMATION ET BESOIN DE RETIRER

Ne pas retirer la crésote pourrait résulter en un dangereux feu de cheminée.

Lorsque les grenailles de bois sont consommées à basse température elles produisent des émanations organiques qui, combinées à l'humidité dégagée produit de la crésote. Les émanations de crésote se condensent dans les gaz relativement frais de la cheminée devenant un combustible potentiel d'allumage et elles s'accumulent sur la paroi de

la cheminée. Si allumée, la créosote dégage une chaleur extrême. Le tuyau de raccordement à la cheminée devrait être inspecté au moins à tous les deux mois durant la saison d'utilisation pour déterminer si une accumulation de créosote s'est produite. Si l'accumulation atteint 3 mm (1/8 po) elle devra être retirée pour éliminer le danger de feu de cheminée. Pour dégager les accumulations du tuyau, utilisez une brosse de cheminée de taille appropriée.

Sachez que sous chauffage modéré en début et fin de saison une plus grande formation de créosote sera probable et un nettoyage hebdomadaire pourrait être requis alors qu'en chauffage plus élevé durant l'hiver un nettoyage mensuel pourrait suffire. Pour apprendre comment traiter un feu de cheminée, communiquez avec les autorités ou le service d'incendie de votre localité. En tant que préparation, ayez un plan de réaction précis pour éteindre les feux de cheminée.

REPLACEMENTS : VITRE

Tout bris de vitre ne devra être adressée que par le remplacement de la porte complète fournie par le fabricant. Voir pages 32 à through 34.

⚠ AVERTISSEMENT : L'UTILISATION DE MATÉRIAU SUBSTITUT POURRAIT BRISER LA VITRE ET CAUSER DES BLESSURES.

REPLACEMENTS : JOINTS D'ÉTANCHÉITÉ

Au fil du temps, les joints d'étanchéité autour de la vitre, de la porte et du tiroir de cendre pourraient perdre de leur rigidité. Ces joints sont essentiels pour sceller le système permettant un fonctionnement sécuritaire. Inspectez les joints régulièrement et s'ils deviennent usés, communiquez avec le fabricant pour connaître le numéro de pièce requis pour votre unité.

Pour remplacer le joint d'étanchéité :

1. S'assurer que toutes les grenailles sont éteintes et que le poêle est froid.
2. Retirer le joint usé et nettoyer le sillon d'insertion.
3. Appliquer un mince film de ciment à joint d'étanchéité résistant aux températures élevées à l'intérieur du sillon.
4. Presser l'extrémité du joint d'étanchéité de remplacement dans le sillon préparé à partir du point gauche le plus élevé.
5. Continuer à presser le joint dans le sillon en sens horaire tout autour de la porte pour revenir faire contact au point de départ.
6. Couper l'excédent et bien presser les extrémités ensemble dans le sillon.

Fermer, la porte, tiroir ou tiroir de cendre et laisser le ciment durcir durant 3 à 4 heures avant d'allumer le poêle.

REPLACEMENTS : ALLUMEUR À SURFACE CHAUDE

S'assurer que le poêle est refroidi. À l'arrière à l'intérieur du poêle, dévisser les vis de fixation de l'allumeur. Sortir l'allumeur et le remplacer par le nouveau. Voir les figures 22 et 24.

REMARQUE: SELON LE MODÈLE DE POÊLE, IL PEUT ÊTRE NÉCESSAIRE D'ENLEVER LE MOTEUR DE LA VIS SANS FIN POUR FAIRE GLISSER L'ALLUMEUR HORS DE SON LOGEMENT.

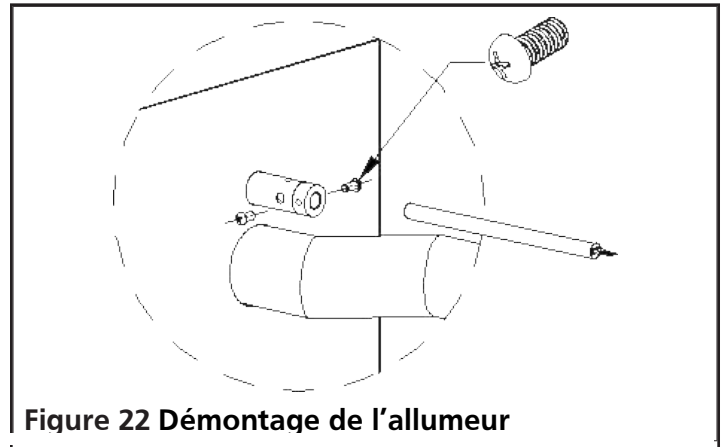


Figure 22 Démontage de l'allumeur

REPLACEMENTS : SYSTÈME DE TARIÈRE

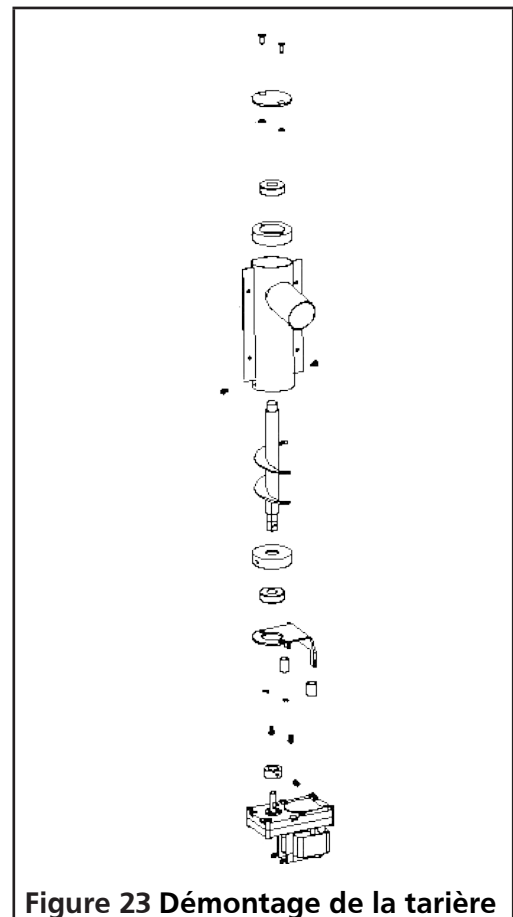


Figure 23 Démontage de la tarière

S'assurer que le poêle est refroidi. À partir de l'arrière à l'intérieur du poêle, la tarière peut être démontée en pièces détachées selon la séquence des pièces montrée à la Figure 23.

RETRAIT DES PANNEAUX ARRIÈRE ET LATÉRAUX

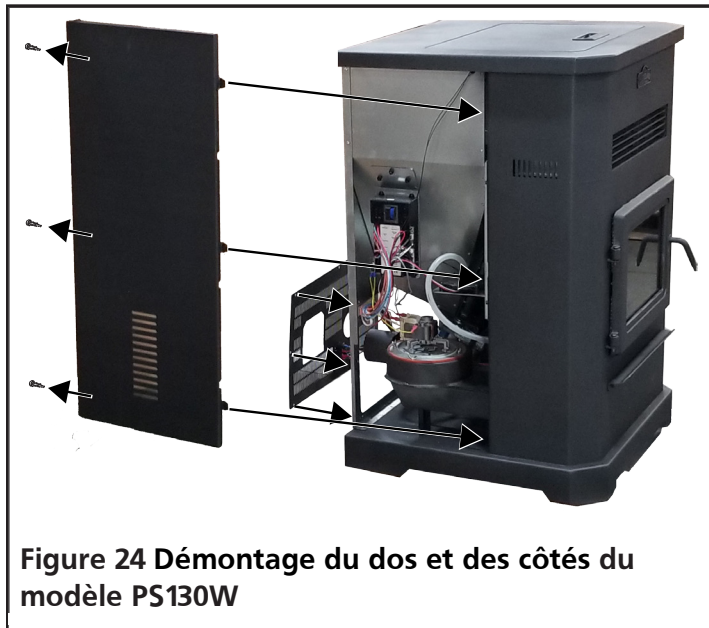


Figure 24 Démontage du dos et des côtés du modèle PS130W

- Pour retirer les panneaux latéraux du modèle PS130W, retirer les vis de fixation à l'arrière de l'unité et faire glisser le panneau vers l'arrière.
- Pour retirer la plaque arrière du modèle PS130W, retirer les huit vis de fixation à l'arrière de l'unité.
- Pour retirer les panneaux latéraux du modèle PS60W, retirer les vis de fixation à l'arrière de l'unité et retirer directement le panneau.
- Pour ouvrir le côté du modèle PSBF66W, faire simplement pivoter le panneau latéral hors de ses aimants de retenue.

REPLACEMENTS : VENTILATEUR D'ÉCHANGEUR D'AIR CHAUD

Débrancher le poêle. Déconnecter tout câblage raccordé au ventilateur d'air chaud. Retirer les vis de fixation de la plaque de montage. Retirer lentement le ventilateur et le remplacer par le nouveau. Fixer la plaque à l'aide des vis et reconnecter les fils.

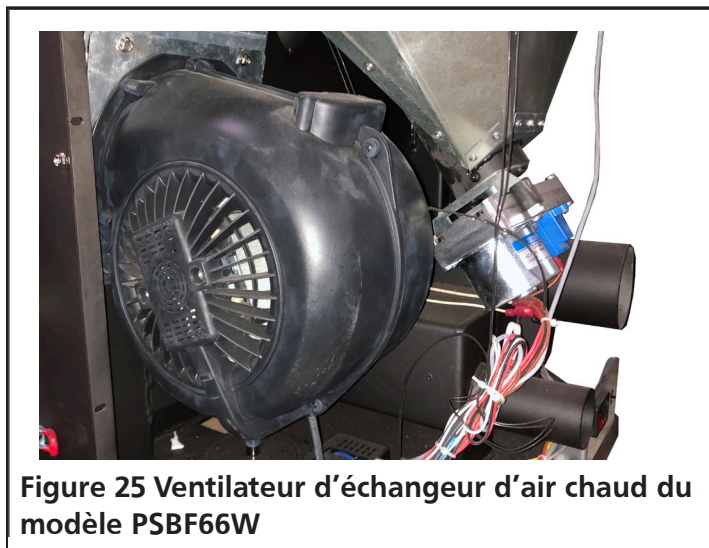


Figure 25 Ventilateur d'échangeur d'air chaud du modèle PSBF66W

REPLACEMENTS : VENTILATEUR D'ÉCHAPPEMENT

Débrancher le poêle. Déconnecter tout câblage raccordé au ventilateur d'échappement. Retirer les écrous à oreilles maintenant la plaque de l'ensemble sans son logement. Retirer lentement le ventilateur et le remplacer par le nouveau. Fixer avec les écrous à oreilles et reconnecter les fils.

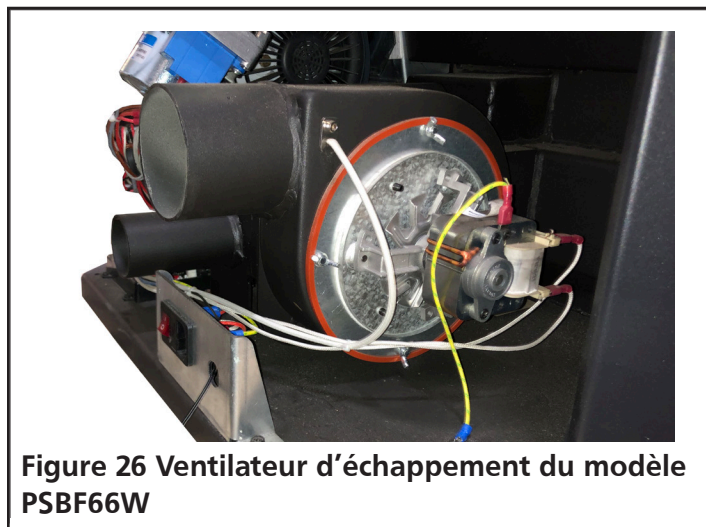


Figure 26 Ventilateur d'échappement du modèle PSBF66W

COMPOSANTS DE SÉCURITÉ

1. Pressostat de vide : Un pressostat de vide est fixé derrière le bas de la porte gauche. Si une basse pression est créée par une fuite, l'ouverture de la porte du pot de combustion, une cheminée obstruée ou un tiroir de cendre non scellé, le pressostat éteindra le poêle comme mesure de précaution. Le code d'erreur E5 s'affichera à l'écran.
2. Thermostat de limite de température : Une protection de température élevée est placée sous le fond de la trémie. Si ce capteur est exposé à une température dépassant 85° C (185° F), le poêle sera éteint.
3. Thermostat de température élevée dans le tuyau d'échappement : Une protection de température élevée est placée sur le tuyau d'échappement. Si ce capteur est exposé à une température dépassant 40° C (104° F), le ventilateur de circulation d'air sera mis en marche.
4. Thermostat de basse température dans le tuyau d'échappement : Si le poêle se refroidit en bas de la consigne de température minimum, il s'éteindra. Ceci pourrait se produire si le poêle ne se réchauffe pas assez rapidement après l'allumage.
5. Fusible : Un élément fusible à l'arrière du dispositif protège contre les défauts et les risques d'électrocution. Voir Figure 27.



Figure 27
Fusible

HORAIRE DE NETTOYAGE DU POÊLE À GRANULES

Étape 1 :

Éteindre le poêle, et le laisser refroidir complètement.

Étape 2 :

Empoigner votre aspirateur à cendres pour enlever les cendres et les débris du pot à feu et dans la région environnante, ainsi que toutes les piles de cendres ou de débris que vous voyez.

Étape 3 :

Soulever et retirer le pot à feu – s’assurer que cette région soit libre de débris. Passer l’aspirateur sous le pot à feu, en prenant grand soin de passer l’aspirateur dans la voie d’aéragé sous le pot à feu.

Étape 4 :

Empoigner votre outil de nettoyage et le déplacer vers le pot à feu. Gratter pour éliminer tout débris hors du pot à feu, en s’assurant que tous les trous dans le pot à feu sont libérés de toute accumulation.

Étape 5 :

Essuyer la vitre. Ne jamais nettoyer la vitre avec de l’eau froide ou un nettoyeur alors que la vitre est encore chaude, puisque cela peut causer le craquelage du verre. La méthode que nous recommandons nécessite un chiffon ou une serviette de papier humide. L’appliquer sur les cendres froides, puis essuyer la vitre en commençant par le haut.

Étape 6 :

Certains modèles ont un tiroir pour les cendres. C’est alors une bonne idée de le vider à chaque fois que vous nettoyez votre poêle. Il est possible d’utiliser un aspirateur à cendres pour éliminer les cendres du tiroir.

Étape 7 :

Les modèles mini offrent des tiges de nettoyage. Vos tiges de nettoyage doivent être utilisées quotidiennement après que le poêle ait refroidi. Elles effectuent le nettoyage à l’intérieur de l’évacuation, là où les cendres et les débris peuvent s’accumuler. Si une accumulation excessive survient, votre poêle n’aura plus la bonne quantité d’air de combustion.

NETTOYAGE HEBDOMADAIRE

Étape 1 :

Nous recommandons de laisser le poêle manquer de granules; de sorte que la réserve soit vide. Passer l’aspirateur sur la réserve. Éliminer toute la poussière de la réserve, et inspecter votre réserve.

Étape 2

Les modèles de taille moyenne et grande comportent des plaques de conduit. Retirer la plaque de conduit centrale, en la glissant vers le haut. Après avoir glissé la plaque de conduit centrale et l’avoir sortie, il est possible de retirer les plaques de gauche et de droite. Passer l’aspirateur et brosser les plaques de conduit, gratter toute vitrification et accumulation. Vérifier les parois derrière les plaques de conduit pour détecter la présence de débris. S’assurer aussi de passer l’aspirateur derrière les plaques de conduit.

Étape 3 :

Le cas échéant, retirer le tiroir des cendres, et passer l’aspirateur sur le tiroir. Puis, brosser et gratter toutes les crasses et les accumulations. S’assurer que la région sous le tiroir soit elle aussi propre.

Étape 4 :

Inspecter la chute de la vis sans fin. S’il y a une accumulation de créosote ou de poussière de granule, nettoyer la chute avec une brosse à poils d’acier.

À TOUTES LES DEUX SEMAINES

Il faut vous rendre à l'extérieur, et inspecter visuellement le chapeau de terminaison sur l'évacuation. S'assurer qu'aucun animal tente de faire son nid, et vérifier la présence de toute accumulation de cendres sur la grille.

AU MOINS UNE FOIS PAR MOIS

Étape 1 :

Utiliser une brosse de nettoyage pour dégager les entrées d'air, localisées sous le pot à feu, qui vont vers l'arrière du poêle; le placement et la taille exactes peuvent varier d'un modèle à l'autre.

Étape 2 :

Pour les modèles de taille moyenne et grande avec des plaques de conduit, le port d'évacuation se trouve derrière une plaque de conduit, à gauche du pot à feu. S'assurer de bien nettoyer avec une brosse à poils d'acier, et d'y passer l'aspirateur.

Étape 3 :

Utiliser une brosse de nettoyage pour dégager les ports d'évacuation d'air dans votre chambre de combustion. Le nombre de ports d'évacuation varie d'un modèle à l'autre.

Pour les modèles mini : Ils comportent quatre ports d'évacuation en haut de la chambre de combustion.

Pour les modèles avec hublot à l'avant : Ils comportent deux ports d'évacuation en haut de la chambre de combustion. Il faut vérifier qu'ils soient dégagés pour assurer une circulation optimale de l'air dans la chambre de combustion.

À TOUTES LES DEUX (2) TONNES DE GRANULES, OU À TOUS LES DEUX MOIS

Inspecter le tee de nettoyage. Retirer toutes les cendres accumulées et resceller la connexion, au besoin.

ANNUELLEMENT

- Il est important de retirer le ventilateur de combustion; utiliser une brosse à poils d'acier sur la créosote, et passer l'aspirateur sur les débris. Cela est important pour la région au-dessous du ventilateur et sur le ventilateur même. Lors du retrait du ventilateur de combustion, si le joint d'étanchéité est usé, vous pouvez retirer le joint d'étanchéité et utiliser de la silicone rouge RTV pour la haute température pour créer un nouveau joint d'étanchéité pour le ventilateur.
- Vous pourriez devoir retirer le conduit de l'arrière du poêle, et utiliser une brosse à poils d'acier pour y passer aussi l'aspirateur pour le nettoyage.
- Il pourrait s'avérer nécessaire de recourir aux services d'un ramoneur de cheminée pour nettoyer votre système d'évacuation de manière régulière. Il faut porter une attention particulière sur les coudes, puisqu'ils peuvent accumuler de la créosote encore plus que les conduits droits.
- C'est aussi une bonne idée de nettoyer votre conduit d'entrée d'air annuellement.


Pour les modèles mini : Il est localisé derrière le panneau de droite. Il y a un couvercle d'entrée d'air qui doit être retiré, et la voie d'aéragage doit être nettoyée. Si les joints d'étanchéité sont endommagés ou usés, il est possible d'en fabriquer de nouveaux avec de la silicone rouge RTV pour la haute température.

Pour les modèles avec hublot à l'avant : Les voies d'aéragage comportent une ouverture derrière le tiroir des cendres. Le tiroir des cendres devra être retiré complètement, et les couvercles peuvent être retirés avec une clé Allen de 3 mm. Une brosse à poils d'acier et un aspirateur à cendres peuvent aussi être utilisés pour nettoyer les voies d'aéragage.

CODES D'ERREUR

REMARQUE :DANS L'ÉVENTUALITÉ D'UNE PANNE DE COURANT (CODE D'ERREUR E7), UNE FAIBLE QUANTITÉ DE FUMÉE POURRAIT ÊTRE DÉGAGÉE. CECI DURERA DE TROIS À CINQ MINUTES ET NE REPRÉSENTE PAS UN DANGER.

⚠ ATTENTION : S'IL S'EST PRODUIT UNE SURCHAUFFE (CODES D'ERREUR E5 ET E6), ALORS UNE INSPECTION, ENTRETIEN ET/OU UN NETTOYAGE DEVRA ÊTRE EFFECTUÉ AVANT QUE LE POÊLE PUISSE ÊTRE UTILISÉ DE FAÇON SÉCURITAIRE DE NOUVEAU.

Après avoir suivi les étapes de solution suggérées, actionner le bouton de confirmation  pour supprimer le code d'erreur de l'afficheur multi-fonction. Et puis effectuer la procédure de fonctionnement de la page 13 pour rallumer le poêle.

CODE D'ERREUR	CAUSE	SOLUTION
E1	La température d'échappement est en dessous de 4,44 à 7,22 C (40 à 45 C). Le fonctionnement a été interrompu et le chauffage arrêté.	<ol style="list-style-type: none"> 1. Vérifier la présence de grenailles dans la trémie. 2. Vérifier le fonctionnement du moteur de la tarière et que celle-ci alimente bien le pot de combustion.
E2	Échec d'allumage des grenailles dans le pot de combustion.	<ol style="list-style-type: none"> 1. S'assurer que le pot de combustion ne comporte pas de fragments de différentes tailles formés par des débris exposés à la chaleur élevée (plus commun lors d'utilisation de grenailles de moindre qualité). 2. S'assurer que le pot de combustion soit bien assis dans son support et qu'il n'y a pas d'obstruction devant l'allumeur. 3. S'assurer que le capteur de température de gaz d'échappement, adjacent au ventilateur de combustion, est en bon état et n'a pas subi de dommage. 4. S'assurer que l'allumeur n'est pas brisé.
E5	Basse pression détectée par le pressostat de vide (se référer à la vue éclatée).	<ol style="list-style-type: none"> 1. S'assurer que la porte et le tiroir de cendre (le cas échéant) sont bien fermés. 2. S'assurer que la canalisation d'échappement n'est pas obstruée ou qu'elle n'a pas de fuite. 3. S'assurer que le ventilateur de combustion est fonctionnel.
E6	Signal du capteur de température élevée (situé sous la trémie).	<ol style="list-style-type: none"> 1. S'assurer que le capteur n'est pas défectueux. 2. La température au niveau du capteur est trop élevée. Le poêle ne fonctionne pas correctement. Appelez le service à la clientèle.
E7	Panne de courant.	Actionner le bouton de Confirmation pour supprimer le code d'erreur. Rallumer le poêle. Vous pouvez décider de sauter par-dessus les cycles précédents et de passer directement au cycle de stabilisation, en actionnant et maintenant le bouton de sélection de taux durant 3 secondes.
ESC1	Capteur de température n° 1 court-circuité (échappement)	<ol style="list-style-type: none"> 1. Vérifier les fils et les points de raccordement. 2. Contactez le support technique pour obtenir de l'aide.
ESO1	Capteur de température n° 1 en circuit ouvert	<ol style="list-style-type: none"> 1. Vérifier les fils et les points de raccordement. 2. Contactez le support technique pour obtenir de l'aide.
ESC2	Capteur n° 2 court-circuité, de température de trémie	<ol style="list-style-type: none"> 1. Vérifier les fils et les points de raccordement. 2. Contactez le support technique pour obtenir de l'aide.
ESO2	Capteur de température n° 2 en circuit ouvert	<ol style="list-style-type: none"> 1. Vérifier les fils et les points de raccordement. 2. Contactez le support technique pour obtenir de l'aide.

CODES D'ERREUR (SUITE)

ESC3	Capteur de température de pièce n° 3 court-circuité	<ol style="list-style-type: none"> 1. Vérifier les fils et les points de raccordement. 2. Contactez le support technique pour obtenir de l'aide.
ESO3	Capteur de température n° 3 en circuit ouvert	<ol style="list-style-type: none"> 1. Vérifier les fils et les points de raccordement. 2. Contactez le support technique pour obtenir de l'aide.

DÉPANNAGE

SYMPTÔME	CAUSE	SOLUTION
Le poêle ne s'allume pas.	Le commutateur d'alimentation n'est pas fermé.	Actionner le commutateur d'alimentation.
	Le cordon d'alimentation est débranché.	<ol style="list-style-type: none"> 1. Insérer à fond le cordon d'alimentation dans le poêle 2. S'assurer que la prise murale fournit une tension de 120 V.
	Le fusible est grillé.	Remplacer le fusible.
Le ventilateur ne tourne pas durant les cycles de nettoyage, d'alimentation et d'allumage.	Ceci est normal.	Ceci n'est pas un problème, le ventilateur ne se met en marche qu'au cycle de stabilisation.
Le ventilateur ne se met pas en marche durant le cycle de stabilisation.	Le poêle/panneau de commande n'est pas sous tension.	Vérifier l'alimentation et les câbles.
	Carte mère débranchée.	S'assurer que les connecteurs de la carte sont complètement insérés.
	Le capteur de basse température est défectueux.	Remplacer le capteur.
La tarière n'alimente pas le pot de combustion durant les cycles incluant le cycle d'allumage.	La trémie est vide.	Ajouter des grenailles dans la trémie.
	La tarière est coincée, obstruée ou déconnectée.	<ol style="list-style-type: none"> 1. Débrancher l'unité de sorte qu'il ne se produise pas de démarrage inattendu et dégager le blocage de la tarière. 2. Vérifier que la tarière ne soit pas bloquée. Si c'est le cas, dégager le produit causant le coincement. 3. S'assurer que la vis de fixation de la tarière au moteur est bien serrée.

DÉPANNAGE (SUITE)

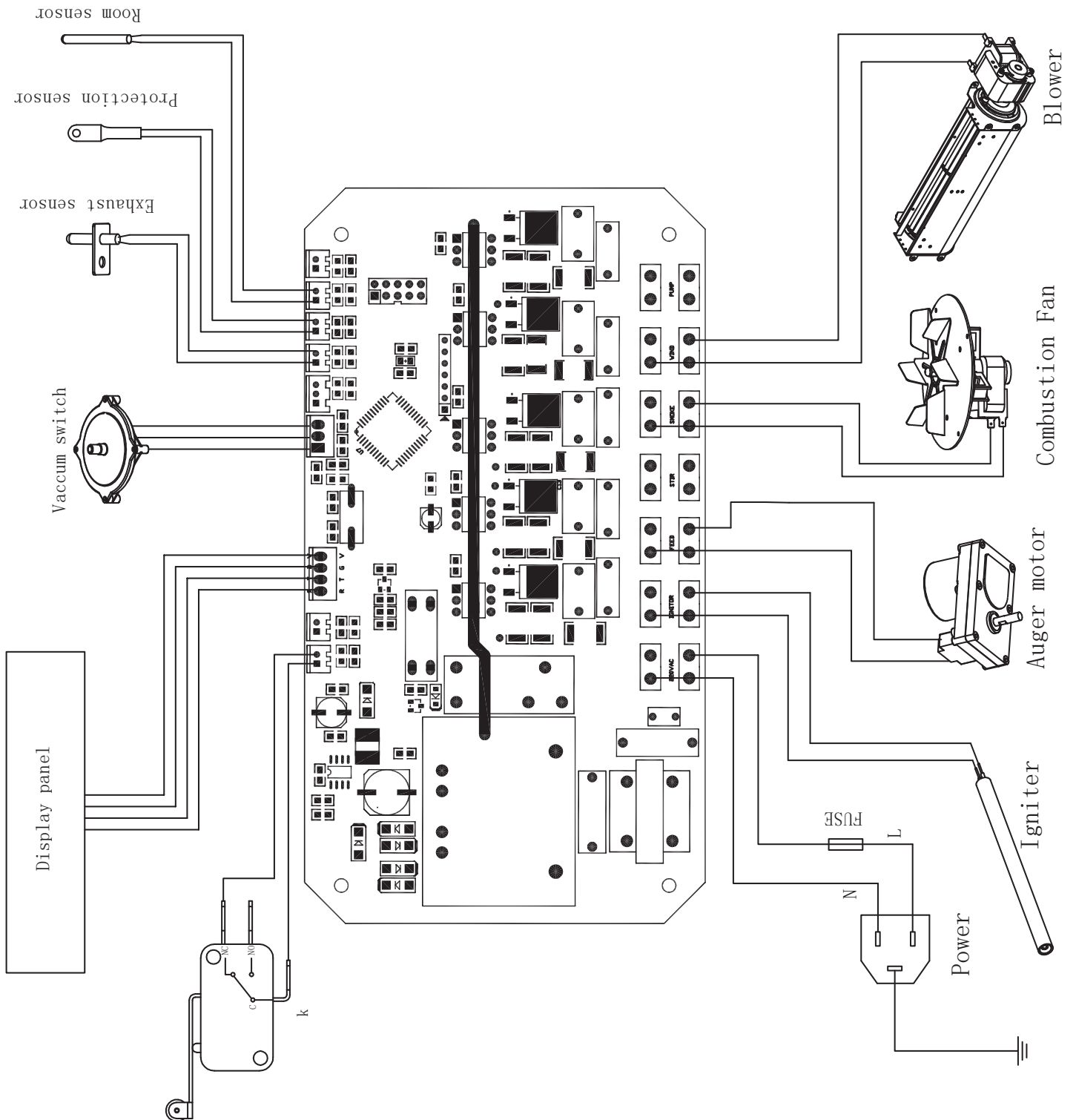
SYMPTÔME	CAUSE	SOLUTION
Trop de grenailles dans le pot de combustion. Les grenailles ne se consomment pas toutes entièrement.	La vitesse d'alimentation est plus grande que la capacité de combustion.	1. Augmenter la vitesse du ventilateur pour augmenter le taux de combustion.
Pas assez de grenailles dans le pot de combustion.	La vitesse d'alimentation n'est pas suffisante pour soutenir ce taux de combustion.	1. Diminuer la vitesse du ventilateur pour diminuer le taux de combustion. 2. Augmenter la vitesse d'alimentation.
Le poêle s'éteint 15 minutes après avoir été allumé.	La trémie est à un bas niveau.	Vérifier la présence de suffisamment de grenailles dans la trémie.
	La tarière ne fonctionne pas.	1. Débrancher l'unité de sorte qu'il ne se produise pas de démarrage inattendu et dégager le blocage de la tarière. 2. Vérifier que la tarière ne soit pas bloquée. Si c'est le cas, dégager le produit causant le coincement. 3. S'assurer que la vis de fixation de la tarière au moteur est bien serrée.
	Le thermostat de température de 30 °C s'est déclenché.	1. S'assurer que les fils du thermostat sont bien connectés. 2. Remplacer le thermostat de 30 °C.
	Le pressostat à l'intérieur du poêle est défectueux.	Remplacer le pressostat.
Flamme orange, grenailles s'empilent dans le pot de combustion, dépôts de carbone sur la vitre.	Insuffisance d'air pour une combustion adéquate.	1. S'assurer que la bouche d'entrée d'air sur le devant est ouverte. 2. S'assurer que les joints d'étanchéité de la fenêtre et de la porte sont en bon état. 3. Vérifier que les canalisations d'entrée et de sortie d'air ne sont pas bloquées. 4. Augmenter la superficie d'ouverture des canalisations. 5. Augmenter la vitesse du ventilateur pour augmenter le taux de combustion. 6. Veuillez communiquer avec le fabricant pour assistance.

DÉPANNAGE (SUITE)

SYMPTÔME	CAUSE	SOLUTION
La combustion s'arrête et le poêle interrompt son fonctionnement.	La trémie est vide.	Ajouter des grenailles dans la trémie.
	La tarière est coincée, obstruée ou déconnectée.	<ol style="list-style-type: none"> Débrancher l'unité de sorte qu'il ne se produise pas de démarrage inattendu et dégager le blocage de la tarière. Vérifier que la tarière ne soit pas bloquée. Si c'est le cas, dégager le produit causant le coincement. S'assurer que la vis de fixation de la tarière au moteur est bien serrée.
	La vitesse d'alimentation n'est pas suffisante pour soutenir ce taux de combustion.	<ol style="list-style-type: none"> Diminuer la vitesse du ventilateur pour diminuer le taux de combustion.
	Le thermostat de température de 30 °C s'est déclenché.	<ol style="list-style-type: none"> S'assurer que les fils du thermostat sont bien connectés. Remplacer le thermostat de 30 °C.
La combustion s'arrête et le poêle interrompt son fonctionnement (suite).	La température réglée a été atteinte.	Ceci est le fonctionnement normal du mode ECO. Le poêle se remettra automatiquement en fonction lorsque la température de la pièce descendra en-dessous de la demande programmée.
Le ventilateur de circulation d'air demeure en fonction après que le poêle a cessé de chauffer et se soit refroidi.	Le thermostat de température de 30 °C s'est déclenché.	<ol style="list-style-type: none"> S'assurer que les fils du thermostat sont bien connectés. Remplacer le thermostat de 30 °C.
Le poêle fournit un volume trop faible d'air insuffisamment chauffé.	Le combustible est inadéquat.	Utiliser des grenailles spécifiées dans le présent manuel.
	La vitesse du ventilateur de circulation d'air chaud est à un réglage trop bas ou le fonctionnement du ventilateur est compromis.	<ol style="list-style-type: none"> Si le ventilateur est défectueux, remplacer le ventilateur. Si la carte de commande du ventilateur est défectueuse, remplacer la carte.
	Les tubes de l'échangeur de chaleur sont sales.	Nettoyer les tubes de l'échangeur de chaleur.

SCHÉMA DE CÂBLAGE

REMARQUE : SI DES FILS QUELCONQUES DOIVENT ÊTRE REMPLACÉS ILS DEVRONT CORRESPONDRE AUX SPÉCIFICATIONS DE CÂBLAGE ORIGINAL DE TEMPÉRATURE NOMINALE DE 105 C AVEC ISOLANT DE CLASSE DE 600 V



PIÈCES DE SERVICE MODÈLE PS60W

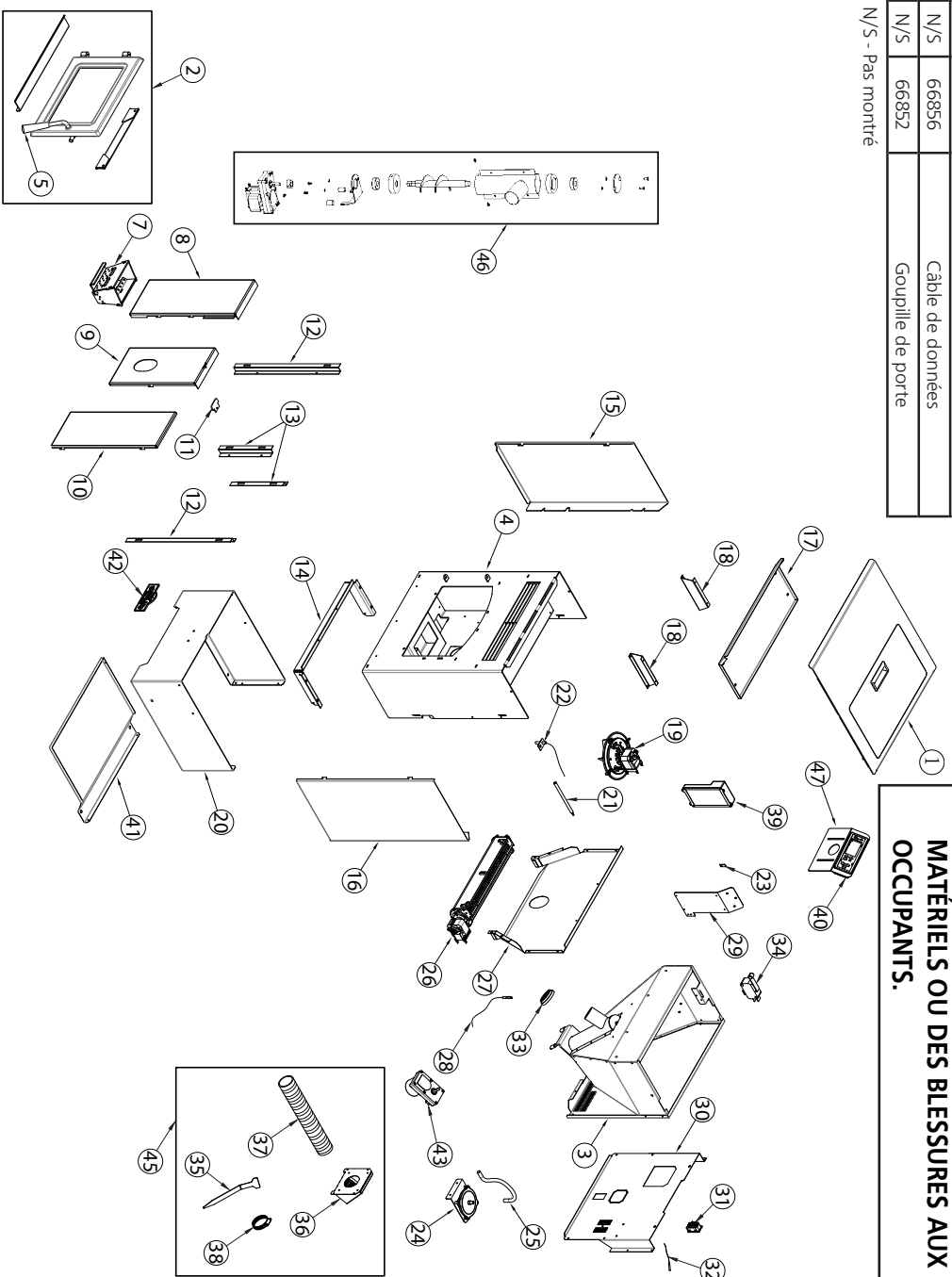
N°	N° de pièce	DESCRIPTION
1	66623	Le couvercle supérieur
2	66624	Porte assemblée
3	n / a	Hopper
4	n / a	Corps principal
5	66603	Poignée de porte
7	66625	Pot de feu
8	66931	Conseil de combustion - gauche
9	66933	Conseil de combustion au milieu
10	66932	Panneau De Conduit De Droite
11	n / a	Plaque de cheminée supérieure
12	n / a	Conduit de fumée plaque longue
13	n / a	Conduit de cheminée fixe court
14	n / a	Piédestal plaque fixe
15	66626	Panneau latéral gauche
16	66627	Panneau latéral droit
17	n / a	Plaque d'isolation thermique
18	n / a	Plaque de support d'isolation
19	66607	Souffleur à combustion
20	n / a	Plaque de piédestal
21	66608	Allumeur
22	66609	Capteur d'échappement
23	n / a	Vis de fixation
24	66628	Commutateur de vide
25	66629	Tube de silicone de commutateur de vide
26	66630	Ventilateur de circulation
27	n / a	Couverture d'isolation de chambre
28	66613	Capteur de sécurité de la trémie
29	n / a	Plaque fixe de la carte mère
30	66631	Capot arrière
31	66615	Prise de courant
32	66616	Capteur de pièce
33	66622	Joint détaché en caoutchouc silicone
34	66617	Commutateur de couvercle de trémie
35	66855	Outil de nettoyage (voir n 45)
36	n / a	Ventilation d'admission d'air frais (voir n 45)
37	n / a	Tube d'expansion en aluminium (voir n 45)
38	n / a	Pince (voir n 45)
39	66618	Carte mère
40	66619	Panneau d'affichage

N°	N° de pièce	DESCRIPTION
41	n / a	Plaque intérieure de piédestal
42	n / a	Plaque signalétique
43	66621	Moteur de tarrière
44	66658	Télécommande (non illustrée)
45	66659	Kit d'accessoires
46	66660	Assemblée de la tarrière
47	66850	Support de panneau d'affichage
N/S	66854	Cordon d'alimentation
N/S	66856	Câble de données
N/S	66852	Goupille de porte

N/S - Pas montré

REMARQUE : LES PIÈCES NE SONT PAS TOUTES EN MAGASIN. POUR TOUTE QUESTION, COMMUNIQUEZ AVEC LE FABRICANT.

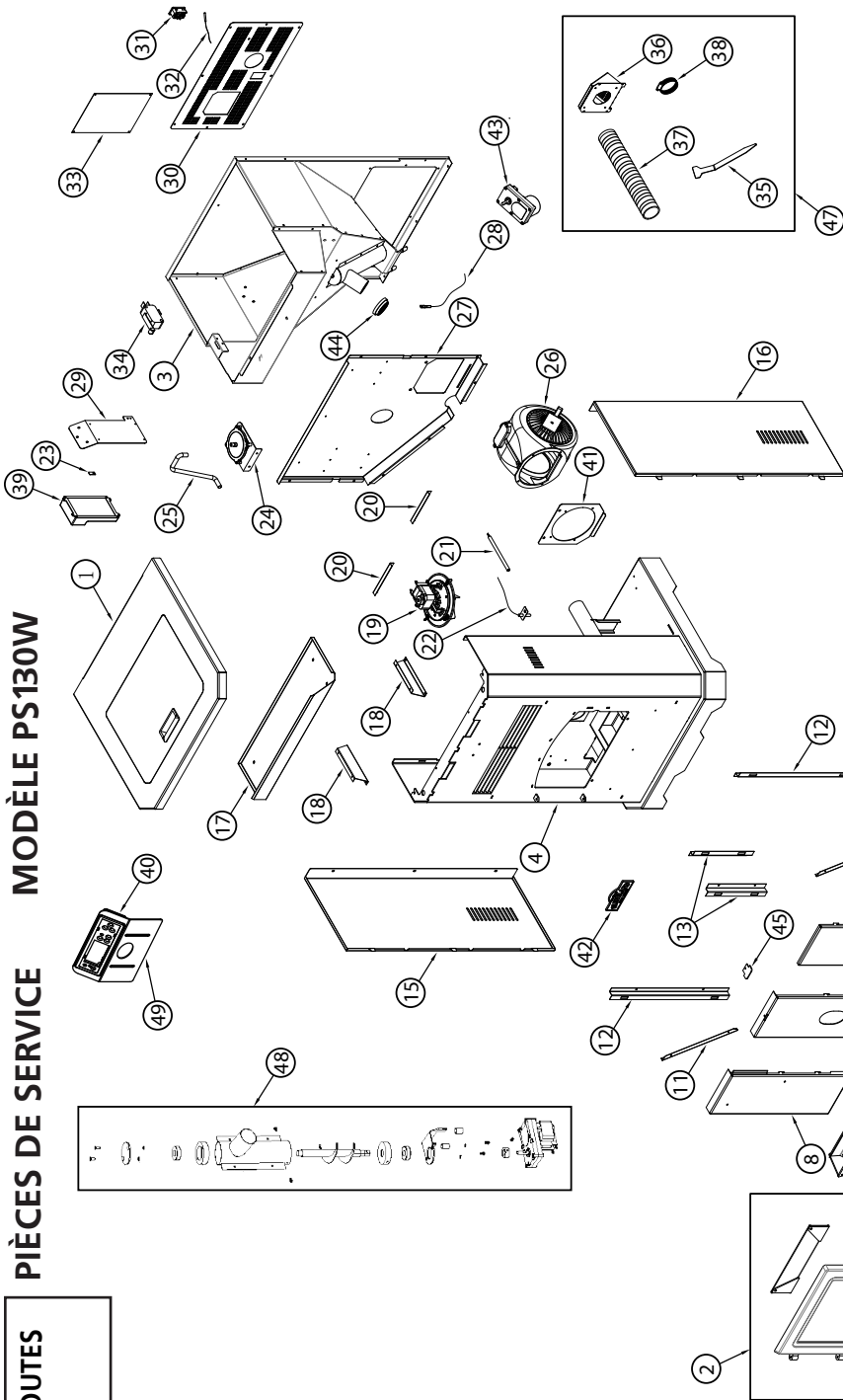
⚠ AVERTISSEMENT : NE PAS POSITIONNER LES PIÈCES SELON CES SCHEMAS OU NE PAS UTILISER EXCLUSIVEMENT LES PIÈCES SPÉCIFIQUEMENT APPRUVÉES POUR CE POÊLE POURRAIT RÉSULTER EN DES DOMMAGES MATÉRIELS OU DES BLESSURES AUX OCCUPANTS.



REMARQUE : LES PIÈCES NE SONT PAS TOUTES EN MAGASIN. POUR TOUTE QUESTION, COMMUNIQUEZ AVEC LE FABRICANT.

AVERTISSEMENT : NE PAS POSITIONNER LES PIÈCES SELON CES SCHÉMAS OU NE PAS UTILISER EXCLUSIVEMENT LES PIÈCES SPÉCIFIQUEMENT APPROUVÉES POUR CE POÊLE POURRAIT RÉSULTER EN DES DOMMAGES MATÉRIELS OU DES BLESSURES AUX OCCUPANTS.

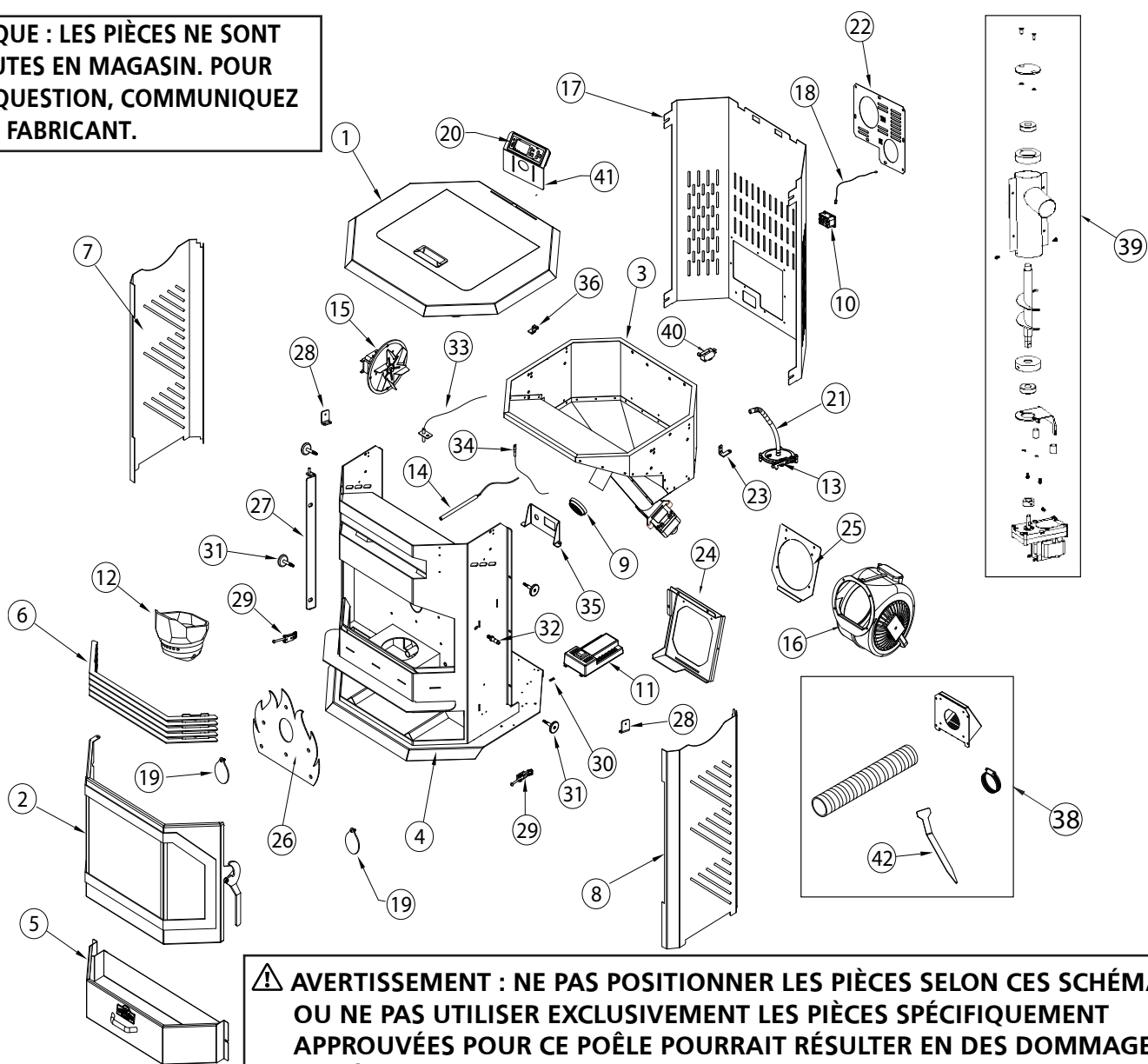
PIÈCES DE SERVICE MODÈLE PS130W



N°	N° de pièce	DESCRIPTION
1	66601	Le couvercle supérieur
2	66602	Porte assemblée
3	n / a	Hopper
4	n / a	Corps principal
5	66603	Poignée de porte
7	66604	Pot de feu
8	66934	Conduit de fumée gauche
9	66862	Plaque De Conduit
10	66935	Conduit de fumée à droite
11	n / a	Renfort de la cheminée
12	n / a	Conduit de fumée plaque longue
13	n / a	Conduit de cheminée fixe court
15	66605	Panneau latéral gauche
16	66606	Panneau latéral droit
17	n / a	Panneau isolant thermique
18	n / a	Plaque de support d'isolation
19	66607	Souffleur à combustion
20	n / a	Plaque de renforcement
21	66608	Allumeur
22	66609	Captur d'échappement
23	n / a	Vis de terre
24	66610	Commutateur de vide
25	66611	Tube de silicone
26	66612	Ventilateur de circulation
27	n / a	Couverture d'isolation de chambre
28	66613	Captur de sécurité de la trémie
29	n / a	Plaque fixe de la carte mère
30	66614	Capot arrière
31	66615	Prise de courant
32	66616	Captur de pièce
33	n / a	Étiquette de notation
34	66617	Commutateur de couvercle de trémie
35	66855	Outil de nettoyage (voir n 47)
36	n / a	Ventilation d'admission d'air frais (voir n 47)
37	n / a	Tube d'expansion en aluminium (voir n 47)
38	n / a	Pince (voir n 47)
39	66618	Carte mère
40	66619	Panneau d'affichage
41	66620	Plaque fixe ventilateur
42	n / a	Plaque signalétique
43	66621	Moteur de tarière
44	66622	Joint d'étanchéité en caoutchouc silicone
45	n / a	Plaque de cheminée supérieure
46	66658	Télécommande (non illustrée)
47	66659	Kit d'accessoires
48	66660	Assemblée de la vis
49	66850	Support de panneau d'affichage
N/S	66854	Cordon d'alimentation
N/S	66856	Câble de données
N/S	66852	Goupille de porte
N/S	N/S	Pas montré

PIÈCES DE SERVICE MODÈLE PSBF66W

REMARQUE : LES PIÈCES NE SONT PAS TOUTES EN MAGASIN. POUR TOUTE QUESTION, COMMUNIQUEZ AVEC LE FABRICANT.



⚠ AVERTISSEMENT : NE PAS POSITIONNER LES PIÈCES SELON CES SCHÉMAS OU NE PAS UTILISER EXCLUSIVEMENT LES PIÈCES SPÉCIFIQUEMENT APPROUVÉES POUR CE POËLE POURRAIT RÉSULTER EN DES DOMMAGES MATÉRIELS OU DES BLESSURES AUX OCCUPANTS.

N°	N° de pièce	DESCRIPTION
1	66632	Le couvercle supérieur
2	66633	Porte
3	n / a	Hopper
4	n / a	Corps principal
5	66634	Cendrier
6	n / a	Plaque décorative
7	66635	Panneau latéral gauche
8	66636	Panneau latéral droit
9	66622	Joint d'étanchéité en caoutchouc silicone
dix	66615	Prise de courant
11	66637	Carte mère
12	66638	Pot de feu
13	66639	Commutateur de vide
14	66640	Allumeur
15	66641	Souffleur à combustion
16	66612	Ventilateur de circulation

N°	N° de pièce	DESCRIPTION
17	66642	Capot arrière
18	66643	Capteur de pièce
19	n / a	Plaque d'étanchéité
20	66644	Panneau d'affichage
21	66645	Tube de silicone de dispositif de pression
22	66646	Plaque d'étanchéité arrière
23	66647	Charnière de panneau latéral droit
24	66648	Support de soufflante
25	66620	Plaque fixe ventilateur
26	n / a	Plaque ignifuge
27	66649	Charnière de porte
28	66650	Couvercle Arrière Plaque Fixe
29	66651	Pièces de verrouillage pour cendrier
30	n / a	Vis de terre
31	66652	Aimant

N°	N° de pièce	DESCRIPTION
32	66653	Porte, loquet
33	66654	Capteur d'échappement
34	66655	Capteur de sécurité de la trémie
35	66656	Prise plaque fixe
36	66657	Charnière de panneau latéral gauche
37	66658	Télécommande (non illustrée)
38	66659	Kit d'accessoires
39	66660	Assemblée de la tarière
40	66617	Commutateur de couvercle de trémie
41	66850	Support de panneau d'affichage
42	66855	Outil de nettoyage (voir n 38)
N/S	66854	Cordon d'alimentation
N/S	66856	Câble de données
N/S	66859	Goupille de porte

N/S - Pas montré

GUIDE DU PROPRIÉTAIRE ET INSTRUCTIONS D'UTILISATION

N° de modèle
H60W, J60W, N60W
H130W, J130W, N130W
HBF66W, JBF66W, NBF66W

LIRE LES INSTRUCTIONS ATTENTIVEMENT : Veuillez lire le présent manuel au complet avant d'installer et d'utiliser ce poêle à grenailles de bois. Ne pas suivre les directives comprises pourrait résulter en des dommages matériels ou des blessures graves, voire la mort. Ne pas laisser quiconque qui n'a pas lu les instructions du présent manuel assembler, allumer, régler ou faire fonctionner le poêle. Remiser ce manuel dans un endroit sûr pour référence ultérieure.

AVERTISSEMENT :

N'UTILISER QUE LES PIÈCES DE REMPLACEMENT DU FABRICANT. L'UTILISATION DE TOUTE AUTRE PIÈCE POURRAIT CAUSER DES BLESSURES OU LE DÉCÈS DE PERSONNES. LES PIÈCES DE REMPLACEMENTS SONT SEULEMENT DISPONIBLES DIRECTEMENT DE LA MANUFACTURE ET DOIVENT ÊTRE INSTALLÉES PAR UNE AGENCE DE SERVICE QUALIFIÉE.

RENSEIGNEMENTS POUR COMMANDES DE PIÈCES :

ACHAT : LES ACCESSOIRES PEUVENT ÊTRE ACHETÉS EN TOUT TEMPS DE TOUT DÉPOSITAIRE CLEVELAND IRON WORKS LOCAL OU DIRECTEMENT DE LA MANUFACTURE.

POUR RENSEIGNEMENTS CONCERNANT LE SERVICE :

Veuillez composer le numéro sans frais 1-800-251-0001 • CLEVELAND-IRONWORKS.COM

Nos heures d'ouverture sont de 8:00 h à 17:00 h HNE du lundi au vendredi.

Dans toutes les communications, veuillez indiquer le numéro de modèle, la date d'achat et une description du problème.

GARANTIE LIMITÉE :

Enenco Group, Inc. (EGI) garantit les poêles à grenailles de bois Cleveland Iron Works être libres de défauts de matériaux et de main-d'œuvre au moment de la livraison. Après l'installation, si des composants couverts sont trouvés présenter des défauts de matériau ou de main-d'œuvre durant la période de couverture applicable, alors la Société, à sa propre option, réparera ou remplacera les produits retournés par l'acheteur à l'atelier, tous frais de transport payés d'avance, durant la période de garantie applicable, les pièces trouvées défectueuses. La période de garantie des composants couverts est définie dans le tableau suivant :

Composants couverts	Période de garantie (pièce seulement, main-d'œuvre non comprise)
Électriques	1 an
Pièces métalliques (excluant le pot de combustion)	5 ans

Si une pièce est endommagée ou manquante, appelez notre Service de soutien technique au 1-800-251-0001.

Adresser toute demande de compensation de garantie à : Service Department, Cleveland Ironworks, Inc., 4560 W. 160TH ST., CLEVELAND, OHIO 44135 U.S.A. Indiquez votre nom, adresse et numéro de téléphone, le numéro de modèle et le numéro de série de votre produit et décrivez les détails concernant la demande de compensation. Veuillez également nous indiquer la date d'achat ainsi que les nom et adresse du dépositaire où vous avez acheté votre produit.

Ce qui suit est la description complète de la responsabilité de la Société. Aucune autre garantie explicite ou implicite n'est applicable. Particulièrement, aucune garantie de concordance spécifique à une application ne s'applique ainsi que toute garantie de commercialité. En aucun cas la Société ne sera responsable de délais dus à des imperfections ou dommages de conséquence ainsi que pour des frais de toute nature sauf si consentis par écrit. Les réparations ou remplacements seront le remède exclusif pour tout bris de garantie. Il n'y a pas de garantie contre les infractions de droits ou de garantie implicite de ressortissants d'affaires. La présente garantie ne s'appliquera à aucun produit qui a été réparé ou modifié hors de l'usine sous tout aspect qui selon notre opinion affecte la condition de fonctionnement. La présente garantie ne couvre pas les dommages ou bris dus à un mauvais usage, abus d'utilisation ou modifications. La garantie ne couvre pas la peinture de finition, les vitres, joints d'étanchéité ou les briques réfractaires. La garantie ne couvre pas le pot de combustion. La garantie ne couvre aucun dommage de corrosion.

Certains États/provinces ne permettent pas l'exclusion ou la limite de dommages accessoires ou indirects, alors les exclusions ou limitations ci-dessus pourraient ne pas s'appliquer dans votre cas. La présente garantie vous donne des droits juridiques particuliers et d'autres droits, variables d'un état/province à l'autre, pourraient s'appliquer.

Cleveland Ironworks Inc. se réserve le droit d'apporter des modifications sur les couleurs, spécifications, accessoires, matériaux et modèles en tout temps sans préavis ou obligation.

Cleveland Ironworks Inc., 4560 W. 160TH ST., CLEVELAND, OHIO 44135 • 1-800-251-0001
Cleveland Ironworks Inc., est une marque de commerce déposée de Mr. Heater, Inc.
© 2024, Cleveland Ironworks. Tous droits réservés

Brevet Américain en Instance



Report Number : F23-240
ASTM E1509-22
CAN/ULC-S627:2023

F34



QUALITY CONTROL SERVICES

LABORATORY EQUIPMENT • SALES • SERVICE • CALIBRATION • REPAIRS
2340 SE 11TH Ave. Portland, Oregon 97214 • Box 14831 Portland, Oregon 97293
(503) 236-2712 • FAX (503) 235-2535 • www.qc-services.com



PFS Teco
11785 SE Hwy 212 STE#305
Clackamas, OR 97015

Report Number: DIRI01C101887027231228

A2LA ACCREDITED CERTIFICATE OF CALIBRATION WITH DATA

INSTRUMENT INFORMATION

Item	Make	Model	Serial Number	Customer ID	Location
Scale	Mettler	IND570 - 1000lhx0.	C101887027	#189	Lab
Units	Readability	SOP	Cal Date	Last Cal Date	Cal Due Date
lbs	0.02	QC033	12/28/23	12/14/22	12/2024

FUNCTIONAL CHECKS

SHIFT TEST		LINEARITY		REPEATABILITY		ENVIRONMENTAL CONDITIONS		
Test Wt:	Tol:	Test Wt:	Tol:	Test Wt:	Tol:			
400	0.10	HB44	HB44	200	0.04	<input type="checkbox"/>	<input checked="" type="checkbox"/>	<input type="checkbox"/>
As-Found:		As-Found:		As-Found:		Good Fair Poor		
Pass: <input checked="" type="checkbox"/>	Fail: <input type="checkbox"/>	Pass: <input checked="" type="checkbox"/>	Fail: <input type="checkbox"/>	Pass: <input checked="" type="checkbox"/>	Fail: <input type="checkbox"/>	Temperature: 18.2°C		
As-Left:		As-Left:		As-Left:				
Pass: <input checked="" type="checkbox"/>	Fail: <input type="checkbox"/>	Pass: <input checked="" type="checkbox"/>	Fail: <input type="checkbox"/>	Pass: <input checked="" type="checkbox"/>	Fail: <input type="checkbox"/>			

CALIBRATION DATA

Standard	As-Found	As-Left	Expanded Uncertainty
1000	999.98	999.98	0.012
600	599.98	599.98	0.011
400	399.96	399.96	0.011
200	200.00	200.00	0.011
100	100.00	100.00	0.011
50	50.00	50.00	0.011

CALIBRATION STANDARDS

Item	Make	Model	Serial Number	Cal Date	Cal Due Date	NIST ID
Avoirdupois Cast W	Rice Lake	25 and 50lb	PWO990-CA	7/18/22	7/2024	20221688

Permanent Information Concerning this Equipment:

Comments/Information Concerning this Calibration

12/23 RH = 40.5%

Report prepared/reviewed by: R.B. Date: 12-28-23

Technician: R. Butcher
Signature: R. Butcher

THIS CERTIFICATE SHALL NOT BE REPRODUCED, EXCEPT IN FULL, WITHOUT THE APPROVAL OF QUALITY CONTROL SERVICES, INC.

The uncertainty is calculated according to the ISO Guide to the Expression of Uncertainty in Measurement and includes the uncertainty of standards used combined with the observed standard deviation of the unit under test. The uncertainty is expanded with a k factor of 2 for an approximate 95% level of confidence. Instruments listed above were calibrated using standards traceable to the National Institute of Standards and Technology (NIST). Calibration data reflect results at the time and location of calibration. Calibration data should be reviewed to insure that the instrument is performing to its required accuracy. Calibrations comply with ISO/IEC 17025 and ANSI/Z540-1-1994 quality standards.

Member: National Conference of Standards Laboratories and Weights & Measures



CERTIFICATE OF ANALYSIS / EPA PROTOCOL GAS

Customer & Order Information

PXPKG TUALATIN OR H
10450 SW TUALATIN SHERWOOD ROAD
TUALATIN OR 97062-9547

Certificate Issuance Date: 10/16/2019
Praxair Order Number: 71120745
Part Number: NI CD10CO33E-AS
Customer PO Number: 79106732

Fill Date: 10/08/2019
Lot Number: 70086928102
Cylinder Style & Outlet: AS CGA 590
Cylinder Pressure and Volume: 2000 psig 140 ft3

Certified Concentration		
Expiration Date:	10/16/2027	NIST Traceable
Cylinder Number:	CC139173	Expanded Uncertainty
10.09 %	Carbon dioxide	± 0.4 %
2.53 %	Carbon monoxide	± 0.6 %
10.48 %	Oxygen	± 0.4 %
Balance	Nitrogen	

ProSpec EZ Cert



Certification Information:

Certification Date: 10/16/2019 Term: 96 Months Expiration Date: 10/16/2027

This cylinder was certified according to the 2012 EPA Traceability Protocol, Document #EPA-600/R-12/531, using Procedure G1.
Do Not Use this Standard if Pressure is less than 100 PSIG.
CO2 responses have been corrected for Oxygen IR Broadening effect. O2 responses have been corrected for CO2 interference.

Analytical Data:

(R=Reference Standard, Z=Zero Gas, C=Gas Candidate)

1. Component: Carbon dioxide

Requested Concentration: 10 %
Certified Concentration: 10.09 %
Instrument Used: Horiba VIA-510 S/N 20C194WK
Analytical Method: NDIR
Last Multipoint Calibration: 09/18/2019

First Analysis Data:				Date
Z:	0	R:	14	10/16/2019
C:	10.09	Conc:	10.09	
R:	14	Z:	0	
C:	10.1	Conc:	10.1	
Z:	0	R:	14.01	
C:	10.1	Conc:	10.1	
UOM:	%	Mean Test Assay:	10.09 %	

Reference Standard: Type / Cylinder #: GMIS / CC164230
Concentration / Uncertainty: 14.00 % ±0.265%
Expiration Date: 04/16/2027

Traceable to: SRM # / Sample # / Cylinder #: SRM 1675b / 6-F-51 / CAL014538
SRM Concentration / Uncertainty: 13.963% / ±0.034%
SRM Expiration Date: 05/16/2022

Second Analysis Data:				Date
Z:	0	R:	0	
C:	0	Conc:	0	
R:	0	Z:	0	
C:	0	Conc:	0	
Z:	0	R:	0	
C:	0	Conc:	0	
UOM:	%	Mean Test Assay:	%	

2. Component: Carbon monoxide

Requested Concentration: 2.5 %
Certified Concentration: 2.53 %
Instrument Used: Horiba VIA-510 S/N UB9UCSYX
Analytical Method: NDIR
Last Multipoint Calibration: 09/19/2019

First Analysis Data:				Date
Z:	0	R:	5	10/16/2019
C:	2.53	Conc:	2.53	
R:	5	Z:	0	
C:	2.53	Conc:	2.53	
Z:	0	R:	5.01	
C:	2.54	Conc:	2.54	
UOM:	%	Mean Test Assay:	2.53 %	

Reference Standard: Type / Cylinder #: GMIS / CC242633
Concentration / Uncertainty: 5.00 % ±0.543%
Expiration Date: 04/03/2025

Traceable to: SRM # / Sample # / Cylinder #: SRM 2642a / 51-D-23 / FF23106
SRM Concentration / Uncertainty: 7.859% / ±0.039%
SRM Expiration Date: 07/15/2019

Second Analysis Data:				Date
Z:	0	R:	0	
C:	0	Conc:	0	
R:	0	Z:	0	
C:	0	Conc:	0	
Z:	0	R:	0	
C:	0	Conc:	0	
UOM:	%	Mean Test Assay:	%	

3. Component: Oxygen

Requested Concentration: 10.5 %
Certified Concentration: 10.48 %
Instrument Used: OXYMAT 5E
Analytical Method: Paramagnetic
Last Multipoint Calibration: 09/18/2019

First Analysis Data:				Date
Z:	0	R:	9.88	10/16/2019
C:	10.49	Conc:	10.48	
R:	9.88	Z:	0	
C:	10.49	Conc:	10.48	
Z:	0	R:	9.89	
C:	10.5	Conc:	10.49	
UOM:	%	Mean Test Assay:	10.48 %	

Reference Standard: Type / Cylinder #: NTRM / DT0010384
Concentration / Uncertainty: 9.875 % ±0.4%
Expiration Date: 11/18/2022

Traceable to: SRM # / Sample # / Cylinder #: NTRM / 170701 / NTRM DT0010384
SRM Concentration / Uncertainty: 9.875% / ±0.040%
SRM Expiration Date: 11/18/2022

Second Analysis Data:				Date
Z:	0	R:	0	
C:	0	Conc:	0	
R:	0	Z:	0	
C:	0	Conc:	0	
Z:	0	R:	0	
C:	0	Conc:	0	
UOM:	%	Mean Test Assay:	%	

Analyzed By

Jose Vasquez

Certified By

Jerina Lockman
Jerina Lockman

Information contained herein has been prepared at your request by qualified experts within Praxair Distribution, Inc. While we believe that the information is accurate within the limits of the analytical methods employed and is complete to the extent of the specific analyses performed, we make no warranty or representation as to the suitability of the use of the information for any purpose. The information is offered with the understanding that any use of the information is at the sole discretion and risk of the user. In no event shall the liability of Praxair Distribution, Inc., arising out of the use of the information contained herein exceed the fee established for providing such information.



Making our world
more productive

DocNumber: 539508



Linde Gas & Equipment Inc.
5700 S. Alameda Street
Los Angeles CA 90058
Tel: 323-585-2154
Fax: 714-542-6689
PGVP ID: F22023

CERTIFICATE OF ANALYSIS / EPA PROTOCOL GAS

Customer & Order Information

LGEPKG TUALATIN OR H
10450 SW TUALATIN SHERWOOD ROAD
TUALATIN OR 97062-9547

Certificate Issuance Date: 05/08/2023
Linde Order Number: 72422600
Part Number: NI CD17C08E-AS
Customer PO Number: 80430965

Fill Date: 05/02/2023
Lot Number: 70086312207
Cylinder Style & Outlet: AS CGA 590
Cylinder Pressure and Volume: 1290 psig 99 ft3

Certified Concentration

Expiration Date:	05/08/2031	NIST Traceable
Cylinder Number:	CC505834	Expanded Uncertainty
16.98 %	Carbon dioxide	± 0.13 %
4.30 %	Carbon monoxide	± 0.03 %
17.16 %	Oxygen	± 0.05 %
Balance	Nitrogen	

ProSpec EZ Cert



Certification Information:

Certification Date: 05/08/2023 Term: 96 Months Expiration Date: 05/08/2031

This cylinder was certified according to the 2012 EPA Traceability Protocol, Document #EPA-600/R-12/531, using Procedure G1. Uncertainty above is expressed as absolute expanded uncertainty at a level of confidence of approximately 95% with a coverage factor k = 2. Do Not Use this Standard if Pressure is less than 100 PSIG.

CO2 responses have been corrected for Oxygen IR Broadening effect. O2 responses have been corrected for CO2 interference.

Analytical Data:

(R=Reference Standard, Z=Zero Gas, C=Gas Candidate)

1. **Component:** Carbon dioxide
Requested Concentration: 17 %
Certified Concentration: 16.98 %
Instrument Used: Horiba VIA-510 S/N 20C194WK
Analytical Method: NDIR
Last Multipoint Calibration: 04/25/2023

Reference Standard: Type / Cylinder #: NTRM / CC725981
Concentration / Uncertainty: 19.34 % ±0.03 %
Expiration Date: 01/12/2027
Traceable to: SRM # / Sample # / Cylinder #: NTRM / 190701 / CC725973
SRM Concentration / Uncertainty: 19.34% ±0.031%
SRM Expiration Date: 01/12/27

First Analysis Data:				Date			
Z:	0	R:	19.34	C:	16.98	Conc:	16.97
R:	19.36	Z:	0	C:	16.99	Conc:	16.98
Z:	0	C:	17	R:	19.35	Conc:	16.99
UOM:	%		Mean Test Assay:		16.98 %		

Second Analysis Data:				Date			
Z:	0	R:	0	C:	0	Conc:	0
R:	0	Z:	0	C:	0	Conc:	0
Z:	0	C:	0	R:	0	Conc:	0

2. **Component:** Carbon monoxide

Report and Certificate of Calibration



www.Cal-Cert.com

Toll Free
800-356-4662

Address
5777 SE International Way
Milwaukie, OR 97222

Local
503-654-9620



Report #: 28140-203324-14 **Customer PO#:** 1090
Customer Name: PFS TECO
Customer Address: 11785 SE Highway 212 Ste 305
City: Clackamas **State:** OR **Zip:** 97015
Contact: Aaron Kravitz
Service Address: 11785 SE Highway 212 Ste 305 Clackamas, OR 97015

Calibration Standards

19-00269 Thermo-Hygrometer Comark SN: 6237360167 Cal: 09/14/2022 Due: 08/31/2023 Vendor: Cal-Cert Range: 122 °F 95 %RH Report #: 25699-30694-3486
LA-01776 Pressure Transducer Fluke SN: 5956001 Cal: 11/25/2022 Due: 11/25/2023 Range: 10 in H2O Report #: EVL846346

Instrument Data

Calibration Date:	March 1, 2023	Reference:	ASME B40.100
Recommended Due Date:	March 1, 2024	Cal-Cert Procedure:	CP-003
Calibration Frequency:	12 Months	Indicating System:	Digital
Manufacturer:	Newport	Temperature:	73 °F
Type:	Pressure Transducer	Humidity:	30% RH
Model Number:	Unknown	Cal Factor:	None
Serial #:	Unknown	Asset #:	53C
Capacity:	5 In H2O	Service Location:	Service Address
Tolerance:	± 1.00% of Span	As Found:	Pass
Gauge Class:	A	As Left:	Pass

Instrument Range:		5.00		Range Resolution:		0.01		Mode Verified:		Pressure	
UUT Reading	Standard As Found	Standard Verification Reading #1	Error	Standard Verification Reading #2	Error	Tolerance	Expanded Uncertainty ±				
In H2O	In H2O	In H2O	In H2O	In H2O	In H2O	In H2O	In H2O				
0.00	0.00	0.00	0.00	0.00	0.00	0.05	0.005				
0.50	0.50	0.50	0.00	0.50	0.00	0.05	0.005				
1.25	1.25	1.25	0.00	1.25	0.00	0.05	0.005				
2.50	2.50	2.50	0.00	2.50	0.00	0.05	0.006				
3.75	3.75	3.75	0.00	3.75	0.00	0.05	0.007				
5.00	5.00	5.00	0.00	5.00	0.00	0.05	0.008				
3.75	3.75	3.75	0.00	3.75	0.00	0.05	0.007				
2.50	2.50	2.50	0.00	2.50	0.00	0.05	0.006				
1.25	1.25	1.25	0.00	1.25	0.00	0.05	0.005				
0.50	0.50	0.50	0.00	0.50	0.00	0.05	0.005				
0.00	0.00	0.00	0.00	0.00	0.00	0.05	0.005				

Manufacturer: Newport

Type: Pressure Transducer

Serial #: Unknown

Remarks:

**We sincerely thank you for your business. Please call us at 503-654-9620 for all your sales and calibration needs.
Cleaning and preventative maintenance were performed as part of this service.**

**Cal-Cert is accredited by A2LA under Calibration Laboratory Code #4986.01.
A2LA is recognized under the ILAC mutual recognition agreement (MRA).**

This certificate is hereby issued that the above instrument was tested for accuracy with calibrated standards traceable to the National Institute of Standards and Technology (NIST). The information provided on this form complies with the data gathering and reporting requirements of ISO/IEC 17025 and ANSI/NCSS Z540.1, and meets the requirements of all applicable references and Cal-Cert procedures listed above. Any stated measurement uncertainty includes the uncertainty of the Calibration standards used, combined with the uncertainty of the measurement process using the RSS method with a k=2 for an approximate 95% level of confidence. The calibration process meets or exceeds a ratio of 4:1 unless otherwise stated.

All tolerances were derived from the applicable standards and pass/fail determination is based on those tolerances. The customer determined any recommended due dates indicated on the certificate.

This report shall not be reproduced except in full, without written approval from Cal-Cert.

Service Engineer:

Jon Rau

Date:

March 1, 2023

Technical Manager:

Marshall Doyle

Signature:



Report and Certificate of Calibration



www.Cal-Cert.com



Toll Free
800-356-4662

Address
5777 SE International Way
Milwaukie, OR 97222

Local
503-654-9620

Report #: 28140-203324-14 **Customer PO#:** 1090
Customer Name: PFS TECO
Customer Address: 11785 SE Highway 212 Ste 305
City: Clackamas **State:** OR **Zip:** 97015
Contact: Aaron Kravitz
Service Address: 11785 SE Highway 212 Ste 305 Clackamas, OR 97015

Calibration Standards

19-00269 Thermo-Hygrometer Comark SN: 6237360167 Cal: 09/14/2022 Due: 08/31/2023 Vendor: Cal-Cert Range: 122 °F 95 %RH Report #: 25699-30694-3486
LA-01776 Pressure Transducer Fluke SN: 5956001 Cal: 11/25/2022 Due: 11/25/2023 Range: 10 in H2O Report #: EVL846346

Instrument Data

Calibration Date:	March 1, 2023	Reference:	ASME B40.100
Recommended Due Date:	March 1, 2024	Cal-Cert Procedure:	CP-003
Calibration Frequency:	12 Months	Indicating System:	Digital
Manufacturer:	Newport	Temperature:	73 °F
Type:	Pressure Transducer	Humidity:	30% RH
Model Number:	Unknown	Cal Factor:	None
Serial #:	Unknown	Asset #:	53C
Capacity:	5 In H2O	Service Location:	Service Address
Tolerance:	± 1.00% of Span	As Found:	Pass
Gauge Class:	A	As Left:	Pass

Instrument Range: 5.00		Range Resolution: 0.01		Mode Verified: Pressure			
UUT Reading	Standard As Found	Standard Verification Reading #1	Error	Standard Verification Reading #2	Error	Tolerance	Expanded Uncertainty ±
In H2O	In H2O	In H2O	In H2O	In H2O	In H2O	In H2O	In H2O
0.00	0.00	0.00	0.00	0.00	0.00	0.05	0.005
0.50	0.50	0.50	0.00	0.50	0.00	0.05	0.005
1.25	1.25	1.25	0.00	1.25	0.00	0.05	0.005
2.50	2.50	2.50	0.00	2.50	0.00	0.05	0.006
3.75	3.75	3.75	0.00	3.75	0.00	0.05	0.007
5.00	5.00	5.00	0.00	5.00	0.00	0.05	0.008
3.75	3.75	3.75	0.00	3.75	0.00	0.05	0.007
2.50	2.50	2.50	0.00	2.50	0.00	0.05	0.006
1.25	1.25	1.25	0.00	1.25	0.00	0.05	0.005
0.50	0.50	0.50	0.00	0.50	0.00	0.05	0.005
0.00	0.00	0.00	0.00	0.00	0.00	0.05	0.005

Manufacturer: Newport

Type: Pressure Transducer

Serial #: Unknown

Remarks:

**We sincerely thank you for your business. Please call us at 503-654-9620 for all your sales and calibration needs.
Cleaning and preventative maintenance were performed as part of this service.**

**Cal-Cert is accredited by A2LA under Calibration Laboratory Code #4986.01.
A2LA is recognized under the ILAC mutual recognition agreement (MRA).**

This certificate is hereby issued that the above instrument was tested for accuracy with calibrated standards traceable to the National Institute of Standards and Technology (NIST). The information provided on this form complies with the data gathering and reporting requirements of ISO/IEC 17025 and ANSI/NC SL Z540.1, and meets the requirements of all applicable references and Cal-Cert procedures listed above. Any stated measurement uncertainty includes the uncertainty of the Calibration standards used, combined with the uncertainty of the measurement process using the RSS method with a k=2 for an approximate 95% level of confidence. The calibration process meets or exceeds a ratio of 4:1 unless otherwise stated.

All tolerances were derived from the applicable standards and pass/fail determination is based on those tolerances. The customer determined any recommended due dates indicated on the certificate.

This report shall not be reproduced except in full, without written approval from Cal-Cert.

Service Engineer:

Jon Rau

Date:

March 1, 2023

Technical Manager:

Marshall Doyle

Signature:



Dry Gas Meter Calibration

DUT

Manufacturer: APEX
 Model: XC-60
 Lab ID #: 53
 Serial #: 1902130
 Calibration Date: 8/2/2023
 Calibration Expiration: 2/2/2024
 Barometric Pressure: 29.96 in. Hg



Equipment Used:	Ref. Std. DGM	Thermometer	Barometer	Manometer
Manufacturer: Apex		Fluke	Aquatech	Dwyer
Model: SK25DA		52 II	DBX2	475
Lab ID#: 47		196	202	174
Calibration Expiration Date: 4/17/2024		11/29/2023	5/23/2024	4/21/2024
Calibration γ Factor: 0.9988				

Use in accordance with EPA Method 5, sections 10.3 and 16.1. Use only calibrated, NIST traceable reference standard DGM. Calibrate over expected operating flow range of DUT.

Calibration Data	Run 1	Run 2	Run 3
Standard DGM Initial Volume (L)	0.000	0.000	0.000
Standard DGM Final Volume (L)	177.098	365.328	139.901
Standard DGM Temperature (°F)	75.0	78.0	78.0
Standard DGM Pressure (in H ₂ O)	0.00	0.00	0.0
DGM Initial Volume (ft ³)	0.000	0.000	0.000
DGM Final Volume (ft ³)	6.200	13.217	5.120
DGM Temperature (°F)	81.0	97.0	99.0
DGM Pressure (in H ₂ O)	3.09	2.25	1.9
Net Volume for Standard DGM (ft ³)	6.254	12.901	4.941
Net Volume for DGM (ft ³)	6.200	13.217	5.120
Dry Gas Meter γ Factor	1.011	1.004	0.997
γ Factor Deviation From Average	1.011	1.004	0.997

Average Gas Meter γ Factor

1.004

Measurement Uncertainty: Total measurement uncertainty +/- 0.748% RD, K=2

Calculations:

- Deviation = |Average value for all runs - current run value|
- $\gamma = [V_{std} \times (\gamma_{std}) \times (P_{bar} + P_{std}/13.6) \times (T_{DGM} + 460)] / [V_{DGM} \times (T_{std} + 460) \times (P_{bar} + P_{DGM}/13.6)]$

Report and Certificate of Calibration



www.Cal-Cert.com



Toll Free
800-356-4662

Address
5777 SE International Way
Milwaukie, OR 97222

Local
503-654-9620

Report #: 28140-203325-14 **Customer PO#:** 1090
Customer Name: PFS TECO
Customer Address: 11785 SE Highway 212 Ste 305
City: Clackamas **State:** OR **Zip:** 97015
Contact: Aaron Kravitz
Service Address: 11785 SE Highway 212 Ste 305 Clackamas, OR 97015

Calibration Standards

19-00269 Thermo-Hygrometer Comark SN: 6237360167 Cal: 09/14/2022 Due: 08/31/2023 Vendor: Cal-Cert Range: 122 °F 95 %RH Report #: 25699-30694-3486
LA-01776 Pressure Transducer Fluke SN: 5956001 Cal: 11/25/2022 Due: 11/25/2023 Range: 10 in H2O Report #: EVL846346

Instrument Data

Calibration Date:	March 1, 2023	Reference:	ASME B40.100
Recommended Due Date:	March 1, 2024	Cal-Cert Procedure:	CP-003
Calibration Frequency:	12 Months	Indicating System:	Digital
Manufacturer:	Newport	Temperature:	68 °F
Type:	Pressure Transducer	Humidity:	37% RH
Model Number:	Unknown	Cal Factor:	None
Serial #:	Unknown	Asset #:	54B
Capacity:	1 In H2O	Service Location:	Service Address
Tolerance:	± 1.00% of Span	As Found:	Pass
Gauge Class:	A	As Left:	Pass

Instrument Range:		1.00		Range Resolution:		0.01		Mode Verified:		Pressure	
UUT Reading	Standard As Found	Standard Verification Reading #1	Error	Standard Verification Reading #2	Error	Tolerance	Expanded Uncertainty ±				
In H2O	In H2O	In H2O	In H2O	In H2O	In H2O	In H2O	In H2O				
0.00	0.00	0.00	0.00	0.00	0.00	0.01	0.005				
0.10	0.10	0.10	0.00	0.10	0.00	0.01	0.005				
0.25	0.25	0.25	0.00	0.25	0.00	0.01	0.005				
0.50	0.50	0.50	0.00	0.50	0.00	0.01	0.005				
0.75	0.75	0.75	0.00	0.75	0.00	0.01	0.005				
1.00	0.99	0.99	-0.01	0.99	-0.01	0.01	0.005				
0.75	0.75	0.75	0.00	0.75	0.00	0.01	0.005				
0.50	0.50	0.50	0.00	0.50	0.00	0.01	0.005				
0.25	0.25	0.25	0.00	0.25	0.00	0.01	0.005				
0.10	0.10	0.10	0.00	0.10	0.00	0.01	0.005				
0.00	0.00	0.00	0.00	0.00	0.00	0.01	0.005				

Manufacturer: Newport

Type: Pressure Transducer

Serial #: Unknown

Remarks:

**We sincerely thank you for your business. Please call us at 503-654-9620 for all your sales and calibration needs.
Cleaning and preventative maintenance were performed as part of this service.**

**Cal-Cert is accredited by A2LA under Calibration Laboratory Code #4986.01.
A2LA is recognized under the ILAC mutual recognition agreement (MRA).**

This certificate is hereby issued that the above instrument was tested for accuracy with calibrated standards traceable to the National Institute of Standards and Technology (NIST). The information provided on this form complies with the data gathering and reporting requirements of ISO/IEC 17025 and ANSI/NCSS Z540.1, and meets the requirements of all applicable references and Cal-Cert procedures listed above. Any stated measurement uncertainty includes the uncertainty of the Calibration standards used, combined with the uncertainty of the measurement process using the RSS method with a k=2 for an approximate 95% level of confidence. The calibration process meets or exceeds a ratio of 4:1 unless otherwise stated.

All tolerances were derived from the applicable standards and pass/fail determination is based on those tolerances. The customer determined any recommended due dates indicated on the certificate.

This report shall not be reproduced except in full, without written approval from Cal-Cert.

Service Engineer:

Jon Rau

Date:

March 1, 2023

Technical Manager:

Marshall Doyle

Signature:



Report and Certificate of Calibration



www.Cal-Cert.com



Toll Free
800-356-4662

Address
5777 SE International Way
Milwaukie, OR 97222

Local
503-654-9620

Report #: 28140-203326-14 **Customer PO#:** 1090
Customer Name: PFS TECO
Customer Address: 11785 SE Highway 212 Ste 305
City: Clackamas **State:** OR **Zip:** 97015
Contact: Aaron Kravitz
Service Address: 11785 SE Highway 212 Ste 305 Clackamas, OR 97015

Calibration Standards

19-00269 Thermo-Hygrometer Comark SN: 6237360167 Cal: 09/14/2022 Due: 08/31/2023 Vendor: Cal-Cert Range: 122 °F 95 %RH Report #: 25699-30694-3486
LA-01776 Pressure Transducer Fluke SN: 5956001 Cal: 11/25/2022 Due: 11/25/2023 Range: 10 in H2O Report #: EVL846346

Instrument Data

Calibration Date:	March 1, 2023	Reference:	ASME B40.100
Recommended Due Date:	March 1, 2024	Cal-Cert Procedure:	CP-003
Calibration Frequency:	12 Months	Indicating System:	Digital
Manufacturer:	Newport	Temperature:	73 °F
Type:	Pressure Transducer	Humidity:	30% RH
Model Number:	Unknown	Cal Factor:	None
Serial #:	Unknown	Asset #:	54C
Capacity:	5 In H2O	Service Location:	Service Address
Tolerance:	± 1.00% of Span	As Found:	Pass
Gauge Class:	A	As Left:	Pass

Instrument Range: 5.00		Range Resolution: 0.01		Mode Verified: Pressure			
UUT Reading	Standard As Found	Standard Verification Reading #1	Error	Standard Verification Reading #2	Error	Tolerance	Expanded Uncertainty ±
In H2O	In H2O	In H2O	In H2O	In H2O	In H2O	In H2O	In H2O
0.00	0.00	0.00	0.00	0.00	0.00	0.05	0.005
0.50	0.50	0.50	0.00	0.50	0.00	0.05	0.005
1.25	1.25	1.25	0.00	1.25	0.00	0.05	0.005
2.50	2.50	2.50	0.00	2.50	0.00	0.05	0.006
3.75	3.75	3.75	0.00	3.75	0.00	0.05	0.007
5.00	5.00	5.00	0.00	5.00	0.00	0.05	0.008
3.75	3.75	3.75	0.00	3.75	0.00	0.05	0.007
2.50	2.50	2.50	0.00	2.50	0.00	0.05	0.006
1.25	1.25	1.25	0.00	1.25	0.00	0.05	0.005
0.50	0.50	0.50	0.00	0.50	0.00	0.05	0.005
0.00	0.00	0.00	0.00	0.00	0.00	0.05	0.005

Manufacturer: Newport

Type: Pressure Transducer

Serial #: Unknown

Remarks:

**We sincerely thank you for your business. Please call us at 503-654-9620 for all your sales and calibration needs.
Cleaning and preventative maintenance were performed as part of this service.**

**Cal-Cert is accredited by A2LA under Calibration Laboratory Code #4986.01.
A2LA is recognized under the ILAC mutual recognition agreement (MRA).**

This certificate is hereby issued that the above instrument was tested for accuracy with calibrated standards traceable to the National Institute of Standards and Technology (NIST). The information provided on this form complies with the data gathering and reporting requirements of ISO/IEC 17025 and ANSI/NCSS Z540.1, and meets the requirements of all applicable references and Cal-Cert procedures listed above. Any stated measurement uncertainty includes the uncertainty of the Calibration standards used, combined with the uncertainty of the measurement process using the RSS method with a k=2 for an approximate 95% level of confidence. The calibration process meets or exceeds a ratio of 4:1 unless otherwise stated.

All tolerances were derived from the applicable standards and pass/fail determination is based on those tolerances. The customer determined any recommended due dates indicated on the certificate.

This report shall not be reproduced except in full, without written approval from Cal-Cert.

Service Engineer:

Jon Rau

Date:

March 1, 2023

Technical Manager:

Marshall Doyle

Signature:



Dry Gas Meter Calibration

DUT

Manufacturer: APEX
 Model: XC-60
 Lab ID #: 54
 Serial #: 1902133
 Calibration Date: 8/2/2023
 Calibration Expiration: 2/2/2024
 Barometric Pressure: 29.88 in. Hg



Equipment Used:	Ref. Std. DGM	Thermometer	Barometer	Manometer
Manufacturer: Apex		Fluke	Aquatech	Dwyer
Model: SK25DA		52 II	DBX2	475
Lab ID#: 47		196	202	174
Calibration Expiration Date: 4/17/2024		11/29/2023	5/23/2024	4/21/2024
Calibration γ Factor: 0.9988				

Use in accordance with EPA Method 5, sections 10.3 and 16.1. Use only calibrated, NIST traceable reference standard DGM. Calibrate over expected operating flow range of DUT.

Calibration Data	Run 1	Run 2	Run 3
Standard DGM Initial Volume (L)	0.000	0.000	0.000
Standard DGM Final Volume (L)	359.264	410.313	150.574
Standard DGM Temperature (°F)	73.0	75.0	77.0
Standard DGM Pressure (in H ₂ O)	0.00	0.00	0.0
DGM Initial Volume (ft ³)	0.000	0.000	0.000
DGM Final Volume (ft ³)	12.737	14.948	5.485
DGM Temperature (°F)	85.0	93.0	101.0
DGM Pressure (in H ₂ O)	2.98	1.57	2.3
Net Volume for Standard DGM (ft ³)	12.687	14.490	5.317
Net Volume for DGM (ft ³)	12.737	14.948	5.485
Dry Gas Meter γ Factor	1.010	0.997	1.006
γ Factor Deviation From Average	1.010	0.997	1.006

Average Gas Meter γ Factor

1.004

Measurement Uncertainty: Total measurement uncertainty +/- 0.748% RD, K=2

Calculations:

- Deviation = |Average value for all runs - current run value|
- $\gamma = [V_{std} \times (\gamma_{std}) \times (P_{bar} + P_{std}/13.6) \times (T_{DGM} + 460)] / [V_{DGM} \times (T_{std} + 460) \times (P_{bar} + P_{DGM}/13.6)]$

Technician:

Dry Gas Meter Calibration

DUT

Manufacturer: APEX
 Model: XC-60
 Lab ID #: 55
 Serial #: 1902130
 Calibration Date: 8/4/2023
 Calibration Expiration: 2/4/2024
 Barometric Pressure: 30.02 in. Hg



Equipment Used:	Ref. Std. DGM	Thermometer	Barometer	Manometer
Manufacturer: Apex		Fluke	Aquatech	Dwyer
Model: SK25DA		52 II	DBX2	475
Lab ID#: 47		196	202	174
Calibration Expiration Date: 4/17/2024		11/29/2023	5/23/2024	4/21/2024
Calibration γ Factor: 0.9988				

Use in accordance with EPA Method 5, sections 10.3 and 16.1. Use only calibrated, NIST traceable reference standard DGM. Calibrate over expected operating flow range of DUT.

Calibration Data	Run 1	Run 2	Run 3
Standard DGM Initial Volume (L)	0.000	0.000	0.000
Standard DGM Final Volume (L)	234.129	172.446	304.050
Standard DGM Temperature (°F)	73.0	73.0	75.0
Standard DGM Pressure (in H ₂ O)	0.00	0.00	0.0
DGM Initial Volume (ft ³)	0.000	0.000	0.000
DGM Final Volume (ft ³)	8.380	6.176	10.856
DGM Temperature (°F)	83.0	82.0	83.0
DGM Pressure (in H ₂ O)	0.00	0.00	0.0
Net Volume for Standard DGM (ft ³)	8.268	6.090	10.737
Net Volume for DGM (ft ³)	8.380	6.176	10.856
Dry Gas Meter γ Factor	1.004	1.001	1.003
γ Factor Deviation From Average	1.004	1.001	1.003

Average Gas Meter γ Factor

1.003

Measurement Uncertainty: Total measurement uncertainty +/- 0.748% RD, K=2

Calculations:

- Deviation = |Average value for all runs - current run value|
- $\gamma = [V_{std} \times (\gamma_{std}) \times (P_{bar} + P_{std}/13.6) \times (T_{DGM} + 460)] / [V_{DGM} \times (T_{std} + 460) \times (P_{bar} + P_{DGM}/13.6)]$

Report and Certificate of Calibration



www.Cal-Cert.com



Toll Free
800-356-4662

Address
5777 SE International Way
Milwaukie, OR 97222

Local
503-654-9620

Report #: 28140-203319-14 **Customer PO#:** 1090
Customer Name: PFS TECO
Customer Address: 11785 SE Highway 212 Ste 305
City: Clackamas **State:** OR **Zip:** 97015
Contact: Aaron Kravitz
Service Address: 11785 SE Highway 212 Ste 305 Clackamas, OR 97015

Calibration Standards

19-00269 Thermo-Hygrometer Comark SN: 6237360167 Cal: 09/14/2022 Due: 08/31/2023 Vendor: Cal-Cert Range: 122 °F 95 %RH Report #: 25699-30694-3486
LA-01776 Pressure Transducer Fluke SN: 5956001 Cal: 11/25/2022 Due: 11/25/2023 Range: 10 in H2O Report #: EVL846346

Instrument Data

Calibration Date:	March 1, 2023	Reference:	ASME B40.100
Recommended Due Date:	March 1, 2024	Cal-Cert Procedure:	CP-003
Calibration Frequency:	12 Months	Indicating System:	Digital
Manufacturer:	Red Lion	Temperature:	69 °F
Type:	Pressure Transducer	Humidity:	35% RH
Model Number:	Unknown	Cal Factor:	None
Serial #:	Unknown	Asset #:	203B
Capacity:	1 In H2O	Service Location:	Service Address
Tolerance:	± 1.00% of Span	As Found:	Pass
Gauge Class:	A	As Left:	Pass

Instrument Range:		1.00		Range Resolution:		0.001		Mode Verified:		Pressure	
UUT Reading	Standard As Found	Standard Verification Reading #1	Error	Standard Verification Reading #2	Error	Tolerance	Expanded Uncertainty ±				
In H2O	In H2O	In H2O	In H2O	In H2O	In H2O	In H2O	In H2O				
0.000	0.000	0.000	0.00	0.000	0.00	0.01	0.0005				
0.100	0.100	0.100	0.00	0.100	0.00	0.01	0.0005				
0.250	0.250	0.250	0.00	0.250	0.00	0.01	0.0006				
0.500	0.500	0.500	0.00	0.500	0.00	0.01	0.0008				
0.750	0.750	0.750	0.00	0.750	0.00	0.01	0.001				
1.000	1.000	1.000	0.00	1.000	0.00	0.01	0.0012				
0.750	0.750	0.750	0.00	0.750	0.00	0.01	0.001				
0.500	0.500	0.500	0.00	0.500	0.00	0.01	0.0008				
0.250	0.250	0.250	0.00	0.250	0.00	0.01	0.0006				
0.100	0.100	0.100	0.00	0.100	0.00	0.01	0.0005				
0.000	0.000	0.000	0.00	0.000	0.00	0.01	0.0005				

Manufacturer: Red Lion

Type: Pressure Transducer

Serial #: Unknown

Remarks:

**We sincerely thank you for your business. Please call us at 503-654-9620 for all your sales and calibration needs.
Cleaning and preventative maintenance were performed as part of this service.**

**Cal-Cert is accredited by A2LA under Calibration Laboratory Code #4986.01.
A2LA is recognized under the ILAC mutual recognition agreement (MRA).**

This certificate is hereby issued that the above instrument was tested for accuracy with calibrated standards traceable to the National Institute of Standards and Technology (NIST). The information provided on this form complies with the data gathering and reporting requirements of ISO/IEC 17025 and ANSI/NCSS Z540.1, and meets the requirements of all applicable references and Cal-Cert procedures listed above. Any stated measurement uncertainty includes the uncertainty of the Calibration standards used, combined with the uncertainty of the measurement process using the RSS method with a k=2 for an approximate 95% level of confidence. The calibration process meets or exceeds a ratio of 4:1 unless otherwise stated.

All tolerances were derived from the applicable standards and pass/fail determination is based on those tolerances. The customer determined any recommended due dates indicated on the certificate.

This report shall not be reproduced except in full, without written approval from Cal-Cert.

Service Engineer:

Jon Rau

Date:

March 1, 2023

Technical Manager:

Marshall Doyle

Signature:



Report and Certificate of Calibration



www.Cal-Cert.com



Toll Free
800-356-4662

Address
5777 SE International Way
Milwaukie, OR 97222

Local
503-654-9620

Report #: 28140-203320-14 **Customer PO#:** 1090
Customer Name: PFS TECO
Customer Address: 11785 SE Highway 212 Ste 305
City: Clackamas **State:** OR **Zip:** 97015
Contact: Aaron Kravitz
Service Address: 11785 SE Highway 212 Ste 305 Clackamas, OR 97015

Calibration Standards

19-00269 Thermo-Hygrometer Comark SN: 6237360167 Cal: 09/14/2022 Due: 08/31/2023 Vendor: Cal-Cert Range: 122 °F 95 %RH Report #: 25699-30694-3486
LA-01776 Pressure Transducer Fluke SN: 5956001 Cal: 11/25/2022 Due: 11/25/2023 Range: 10 in H2O Report #: EVL846346

Instrument Data

Calibration Date:	March 1, 2023	Reference:	ASME B40.100
Recommended Due Date:	March 1, 2024	Cal-Cert Procedure:	CP-003
Calibration Frequency:	12 Months	Indicating System:	Digital
Manufacturer:	Red Lion	Temperature:	73 °F
Type:	Pressure Transducer	Humidity:	30% RH
Model Number:	Unknown	Cal Factor:	None
Serial #:	Unknown	Asset #:	203C
Capacity:	5 In H2O	Service Location:	Service Address
Tolerance:	± 1.00% of Span	As Found:	Pass
Gauge Class:	A	As Left:	Pass

Instrument Range:		5.00		Range Resolution:		0.01		Mode Verified:		Pressure	
UUT Reading	Standard As Found	Standard Verification Reading #1	Error	Standard Verification Reading #2	Error	Tolerance	Expanded Uncertainty ±				
In H2O	In H2O	In H2O	In H2O	In H2O	In H2O	In H2O	In H2O				
0.00	0.00	0.00	0.00	0.00	0.00	0.05	0.005				
0.50	0.50	0.50	0.00	0.50	0.00	0.05	0.005				
1.25	1.25	1.25	0.00	1.25	0.00	0.05	0.005				
2.50	2.50	2.50	0.00	2.50	0.00	0.05	0.006				
3.75	3.75	3.75	0.00	3.75	0.00	0.05	0.007				
5.00	5.00	5.00	0.00	5.00	0.00	0.05	0.008				
3.75	3.75	3.75	0.00	3.75	0.00	0.05	0.007				
2.50	2.50	2.50	0.00	2.50	0.00	0.05	0.006				
1.25	1.25	1.25	0.00	1.25	0.00	0.05	0.005				
0.50	0.50	0.50	0.00	0.50	0.00	0.05	0.005				
0.00	0.00	0.00	0.00	0.00	0.00	0.05	0.005				

Manufacturer: Red Lion

Type: Pressure Transducer

Serial #: Unknown

Remarks:

**We sincerely thank you for your business. Please call us at 503-654-9620 for all your sales and calibration needs.
Cleaning and preventative maintenance were performed as part of this service.**

**Cal-Cert is accredited by A2LA under Calibration Laboratory Code #4986.01.
A2LA is recognized under the ILAC mutual recognition agreement (MRA).**

This certificate is hereby issued that the above instrument was tested for accuracy with calibrated standards traceable to the National Institute of Standards and Technology (NIST). The information provided on this form complies with the data gathering and reporting requirements of ISO/IEC 17025 and ANSI/NCSS Z540.1, and meets the requirements of all applicable references and Cal-Cert procedures listed above. Any stated measurement uncertainty includes the uncertainty of the Calibration standards used, combined with the uncertainty of the measurement process using the RSS method with a k=2 for an approximate 95% level of confidence. The calibration process meets or exceeds a ratio of 4:1 unless otherwise stated.

All tolerances were derived from the applicable standards and pass/fail determination is based on those tolerances. The customer determined any recommended due dates indicated on the certificate.

This report shall not be reproduced except in full, without written approval from Cal-Cert.

Service Engineer:

Jon Rau

Date:

March 1, 2023

Technical Manager:

Marshall Doyle

Signature:



Dry Gas Meter Calibration

DUT

Manufacturer: APEX
 Model: XC-50-DIR
 Lab ID #: 203
 Serial #: A2204292
 Calibration Date: 8/2/2023
 Calibration Expiration: 2/2/2024
 Barometric Pressure: 29.95 in. Hg



Equipment Used:	Ref. Std. DGM	Thermometer	Barometer	Manometer
Manufacturer: Apex		Fluke	Aquatech	Dwyer
Model: SK25DA		52 II	DBX2	475
Lab ID#: 47		196	202	174
Calibration Expiration Date: 4/17/2024		11/29/2023	5/23/2024	4/21/2024
Calibration γ Factor: 0.9988				

Use in accordance with EPA Method 5, sections 10.3 and 16.1. Use only calibrated, NIST traceable reference standard DGM. Calibrate over expected operating flow range of DUT.

Calibration Data	Run 1	Run 2	Run 3
Standard DGM Initial Volume (L)	0.000	0.000	0.000
Standard DGM Final Volume (L)	145.280	144.545	148.847
Standard DGM Temperature (°F)	78.0	79.0	79.0
Standard DGM Pressure (in H ₂ O)	0.00	0.00	0.0
DGM Initial Volume (ft ³)	0.000	0.000	0.000
DGM Final Volume (ft ³)	5.087	5.161	5.355
DGM Temperature (°F)	85.0	93.0	96.0
DGM Pressure (in H ₂ O)	2.33	1.17	0.9
Net Volume for Standard DGM (ft ³)	5.131	5.105	5.256
Net Volume for DGM (ft ³)	5.087	5.161	5.355
Dry Gas Meter γ Factor	1.015	1.011	1.009
γ Factor Deviation From Average	1.015	1.011	1.009

Average Gas Meter γ Factor

1.011

Measurement Uncertainty: Total measurement uncertainty +/- 0.748% RD, K=2

Calculations:

- Deviation = |Average value for all runs - current run value|
- $\gamma = [V_{std} \times (\gamma_{std}) \times (P_{bar} + P_{std}/13.6) \times (T_{DGM} + 460)] / [V_{DGM} \times (T_{std} + 460) \times (P_{bar} + P_{DGM}/13.6)]$

Technician:



CERTIFICATE OF CALIBRATION

CUSTOMER:	PFS-TECO : CLACKAMAS, OR	CALIBRATION DATE:	05/23/2023
PO NUMBER:	1097	CALIBRATION DUE:	05/23/2024
INST. MANUFACTURER:	DWYER	PROCEDURE:	T.O.33K6-4-1769-1
INST. DESCRIPTION:	VELOMETER	CALIBRATION FLUID:	AIR @ 14.7 PSIA 70°F
MODEL NUMBER:	471	RECEIVED CONDITION:	WITHIN MFG. SPECS.
SERIAL NUMBER:	CP288559 ID# 095	LEFT CONDITION:	WITHIN MFG. SPECS.
RATED ACCURACY:	SEE NOTES BELOW.	AMBIENT CONDITIONS:	763mm HGA 53% RH 71°F
UNCERTAINTY GIVEN:	± 0.43% RD ; k=2	CERTIFICATE FILE #:	490265.2023
NOTES:	± 3.0% FS (0-500 / 0-1500) ** ± 4.0% F.S. (0-5000) **± 5.0% F.S. (0-15000) ** ± 2 °F		

Q.MANUAL IM 2.0 REV 2020.2 DATED 7-27-2020

DECISION RULE: SIMPLE ACCEPTANCE. MEASUREMENT UNCERTAINTIES NOT TAKEN INTO CONSIDERATION WHEN DETERMINING PASS/FAIL

UUT INDICATED FT/MIN	DM.STD. ACTUAL FT/MIN	UUT INDICATED DEG. F	DM STD. ACTUAL DEG. F
74	77	0 TO 200°F	0 TO 200°F
118	121	45.0	44.5
253	259	73.9	73.2
491	502	100.3	99.8
515	525		
1028	1049		
1492	1526		
502	514		
3145	3224		
4993	5135		
6892	7061		
14821	15229		

STANDARDS USED:

A310: TEMP. STANDARD ± 0.024 F TRACE# 1649766843	DUE	02/09/2024
A800: FLOW-DYNE SONIC NOZZLE SYSTEM 0 - 1086 CFM ± 0.46% RD. TRACE# 144613547, 1424683640, 1583314714	DUE	12/10/2023

All instruments used in the performance of the shown calibration have traceability to the National Institute of Standards and Technology (NIST). The uncertainty ratio between the calibration standards (DM.STD.) and the Unit Under Test (UUT) is a minimum of 4:1, unless otherwise noted. Calibration has been performed according to the shown procedure. The use of IAS/ILAC logo indicates calibrations are in accordance to ISO/IEC 17025:2017.

Dick Munns Company · 11133 Winners Circle, Los Alamitos, CA 90720
Phone: 714-827-1215 · www.dickmunns.com

This Calibration Certificate shall not be reproduced except, in full, without approval by Dick Munns Company. The data shown applies only to the instrument being calibrated and under the stated conditions of calibration.

Issuing Date:

Approved By:

Cal. Technician:

Calibrated at:

Lab

On-Site (Customer's)

5-23-2023

DC

Page 1 of 1

Certificate of Calibration

Certificate Number: 743892



JJ Calibrations, Inc.

7724 SE Aspen Summit Drive
Portland, OR 97266-9217
Phone 503.786.3005
FAX 503.786.2994

PFS TECO

11785 SE Hwy 212
Suite 305
Clackamas, OR 97015

PO: 1033

Order Date: 03/08/2021

Authorized By: N/A



Calibrated on: 03/18/2021

*Recommended Due: 03/18/2026

Environment: 19 °C 41 % RH

* As Received: Other - See Remarks

* As Returned: Other - See Remarks

Action Taken: Calibrated

Technician: 126

Property #: 097
User: N/A
Department: N/A
Make: Unknown
Model: 10 Lbs.
Serial #: 097
Description: Mass
Procedure: DCN 500901
Accuracy: Raw Data

Remarks: * Many factors may cause the unit to drift out of calibration before the recommended due date. Any reported error is the absolute value between the reference and the unit. Uncertainties include the effects of the unit.

Data is provided for your determination of acceptability. Received/returned without accessories.

Standards Used

Std ID	Manufacturer	Model	Nomenclature	Due Date	Trace ID
484A	Rice Lake	1kg-10kg (Class ASTM 1)	Mass Set,	05/28/2021	699197
503A	Rice Lake	1mg-200g (Class 0)	Mass Set,	09/11/2021	729241
550A	And (A&D) Co.	HP-30K	Balance 30 Kg	12/31/2021	739307
723A	Rice Lake	1mg-200g (Class 0)	Mass Set,	06/09/2021	723431

Parameter

Measurement Data

Measurement Description	Range	Unit	Reference	Min	Max	*Error	UUT	Uncertainty
Before/After								Accredited = \bar{U}
Mass								
Raw Data		g	4535.92370000	0.0000000	0.0000000	0.1785299	4536.1022299 g	3.5E-01 \bar{U}

This instrument has been calibrated in accordance with the JJ Calibrations Quality Assurance Manual and is traceable to either the SI or to National Institute of Standards and Technology (NIST). The quality system and this certificate are in compliance with ANSI/NCSL Z540-1-1994, ISO/IEC 17025-2017, ISO 10012-1, the ISO 9000 family and QS 9000. The expanded uncertainties of measurements for this calibration are based upon 95% (2 sigma) confidence limits. Unless stated in the comments, certificates reflect the "Simple Acceptance Rule" as specified by JCGM 106:2012. Unless otherwise stated, a test accuracy ratio (TAR) of 4:1, if achievable, is maintained. The results reported herein apply only to the calibration of the item described above. This report may not be reproduced, except in full, without written approval of JJ Calibrations.

Reviewer

3 Issued 03/25/2021

Rev # 15

Inspector

Report and Certificate of Calibration



www.Cal-Cert.com

Toll Free
800-356-4662

Address
5777 SE International Way
Milwaukie, OR 97222

Local
503-654-9620



Report #: 31538-218157-14 **Customer PO#:**
Customer Name: PFS TECO
Customer Address: 11785 SE Highway 212, Suite 305
City: Clackamas **State:** OR **Zip:** 97015
Contact: Aaron Kravitz
Service Address: 11785 SE Highway 212, Suite 305 Clackamas, OR 97015

Calibration Standards

10-00209 Weight Rice Lake SN: 43334 Cal: 02/02/2022 Due: 02/28/2024 Vendor: Oregon Dept of Ag Report #: 20220092
19-00269 Thermo-Hygrometer Comark SN: 6237360167 Cal: 08/14/2023 Due: 08/31/2024 Vendor: Cal-Cert Range: 122 °F 95 %RH Report #: 30530-30694-3646

Instrument Data

Calibration Date:	October 12, 2023	Reference:	ASTM E898-20, D4753-15
Calibration Due Date:	April 12, 2024	Cal-Cert Procedure:	CP-002
Calibration Frequency:	6 Months	Indicating System:	Digital
Manufacturer:	Sartorius	Temperature:	73 °F
Model Number:	ENTRIS224	Humidity:	52% RH
Type:	Digital Balance	Asset #:	107
Serial #:	34307497	Service Location:	Service Address
Scale Capacity:	200 grams	As Found:	PASS
		As Left:	PASS

Scale Linear Test											
Instrument Range:			200.0000 grams			Resolution:			0.0001 grams		
Calibration Standard grams	As Found UUT grams	As Found Error grams	As Left UUT grams	As Left Error grams	As Left % of Error	Tolerance (As Left) Allowable Error					
						Error	Condition	Expanded Unc. (grams)			
0.0000	0.0000	0.0000	0.0000	0.0000	0.00	0.0000	PASS	0.00000			
20.0000	19.9998	-0.0002	19.9998	-0.0002	0.00	0.0200	PASS	0.00463			
40.0000	39.9997	-0.0003	40.0000	0.0000	0.00	0.0400	PASS	0.00924			
60.0000	59.9996	-0.0004	60.0001	0.0001	0.00	0.0600	PASS	0.01386			
80.0000	79.9995	-0.0005	80.0001	0.0001	0.00	0.0800	PASS	0.01848			
100.0000	99.9994	-0.0006	99.9999	-0.0001	0.00	0.1000	PASS	0.02310			
120.0000	119.9993	-0.0007	119.9999	-0.0001	0.00	0.1200	PASS	0.02771			
140.0000	139.9991	-0.0009	140.0000	0.0000	0.00	0.1400	PASS	0.03233			
160.0000	159.9990	-0.0010	160.0001	0.0001	0.00	0.1600	PASS	0.03695			
180.0000	179.9990	-0.0010	180.0000	0.0000	0.00	0.1800	PASS	0.03926			
200.0000	199.9989	-0.0011	200.0000	0.0000	0.00	0.2000	PASS	0.04619			
100.0000	99.9994	-0.0006	99.9999	-0.0001	0.00	0.1000	PASS	0.02310			
0.0000	0.0000	0.0000	0.0000	0.0000	0.00	0.0000	PASS	0.00000			

FUNCTIONAL CHECKS					
ECCENTRIC LOAD TEST:		HYSTERESIS: Load Increments		REPEATABILITY:	
Loading position	100.0000	Test Weight Applied. % of load	Readings	Test Weight Applied	100.0000
Right	99.9999	0%	0.0000	1st	99.9999
Left	99.9998	(R1) 50%	99.9999	2nd	100.0000
Front	99.9998	100%	200.0000	3rd	99.9999
Back	99.9999	(R2) 50%	99.9999	4th	100.0000
Center	99.9999	0%	0.0000	5th	100.0000
As Left	PASS	As Left	PASS	As Left	PASS
Tolerance: The maximum error of the eccentric loading must be less than .1% of center load value.		Tolerance: The Difference of R1 and R2 must be within 0.1%		Tolerance: Deviation of lowest and highest reading within 0.1%	

Remarks:

The scale was adjusted prior to taking the As Left readings.

We sincerely thank you for your business. Please call us at 503-654-9620 for all your sales and calibration needs. Cleaning and preventative maintenance were performed as part of this service.

Cal-Cert is accredited by A2LA under Calibration Laboratory Code #4986.01.
A2LA is recognized under the ILAC mutual recognition agreement (MRA).

This certificate is hereby issued that the above instrument was tested for accuracy with calibrated standards traceable to the National Institute of Standards and Technology (NIST). The information provided on this form complies with the data gathering and reporting requirements of ISO/IEC 17025 and ANSI/NCSL Z540.1, and meets the requirements of all applicable references and Cal-Cert procedures listed above. Any stated measurement uncertainty includes the uncertainty of the Calibration standards used, combined with the uncertainty of the measurement process using the RSS method with a k=2 for an approximate 95% level of confidence. The calibration process meets or exceeds a ratio of 4:1 unless otherwise stated. All tolerances were derived from the applicable standards and pass/fail determination is based on those tolerances. The customer determined any recommended due dates indicated on the certificate.

This report shall not be reproduced except in full, without written approval from Cal-Cert.

Service Engineer:

Jon Rau

Date:

October 12, 2023

Technical Manager:

Marshall Doyle

Signature:



REPORT#: 31538-218157-14



QUALITY CONTROL SERVICES

LABORATORY EQUIPMENT • SALES • SERVICE • CALIBRATION • REPAIRS
2340 SE 11TH Ave. Portland, Oregon 97214 • Box 14831 Portland, Oregon 97293
(503) 236-2712 • FAX (503) 235-2535 • www.qc-services.com



Report of Calibration

Firm: PFS-TECO
Address: 11785 SE Hwy 212, Ste 305
City/State/Zip: Clackamas, OR 97015

Test Completed: 05/09/22
Purchase Order: 1067
Traceable Number: 20220682

Test Item: 200 mg and 100 mg Individual Weights
Serial No.: Listed in Table

Manufacturer: Troemner
Customer ID: Listed in Table

<u>Material</u>	<u>Assumed Density</u>	<u>Range</u>	<u>Tolerance Class</u>
Stainless Steel	7.95 g/cm ³	200 mg & 100 mg	ASTM Class 1

Method and Traceability

The procedure used for this calibration is NIST IR 6969 SOP 4 Double Substitution Weighing Design. Standards used for comparison are traceable to the National Institute of Standards and Technology (reports on file) and are part of a comprehensive measurement assurance program for ensuring continued accuracy and traceability within the level of uncertainty reported. The Traceable Number listed above is Traceable to National Standards through an unbroken chain of comparison each having stated uncertainties.

Standards Used:

100 g to 1 mg Working Standards Were Calibrated: 07/02/21 Due: 07/31/22 Standards ID: 723318
Mass Comparators Used: MET-05 Tested by: D. Thompson

Conventional Mass: “The conventional value of the result of weighing a body in air is equal to the mass of a standard, of conventionally chosen density, at a conventionally chosen temperature, which balances this body at this reference temperature in air of conventionally chosen density. International Recommendation 33 (OIML IR 33 1973, 1979). “Conventional Value of the Result of Weighing in Air” (Previously known as “Apparent Mass vs. 8.0 g/cm³).


Uncertainty Statement: The uncertainty conforms to the ISO Guide to the Expressions of Uncertainty in Measurement. Uncertainty as reported is based on a coverage factor $k=2$ for an approximate 95 percent level of uncertainty. Uncertainty components include the standard deviation of the process, the uncertainty of the standard used, an uncertainty component associated with the potential drift of the standard used, and the estimated uncertainty related to measuring and determining the air buoyancy effect.

Conventional Mass Values are listed on page 2 of this report.

page 1 of 2

Quality Control Services, Inc.
Metrology Laboratory Manager
E-mail dthompson@qc-services.com

Date: 05/09/22


Signature David S. Thompson

This document shall not be reproduced, except in full, without the written approval of Quality Control Services Mass Laboratory.

Member: National Conference of Standards Laboratories and Weights & Measures



QUALITY CONTROL SERVICES

LABORATORY EQUIPMENT • SALES • SERVICE • CALIBRATION • REPAIRS
2340 SE 11TH Ave. Portland, Oregon 97214 • Box 14831 Portland, Oregon 97293
(503) 236-2712 • FAX (503) 235-2535 • www.qc-services.com



Report of Calibration

Firm: PFS-TECO
Address: 11785 SE Hwy 212, Ste 305
City/State/Zip: Clackamas, OR 97015

Test Completed: 05/09/22
Purchase Order: 1067
Traceable Number: 20220682

Test Item: 200 mg and 100 mg Individual Weights
Serial No.: Listed in Table

Manufacturer: Troemner
Customer ID: Listed in Table

Laboratory Environment at time of test

Temperature °C	Pressure mmHg	Humidity %RH
21.93 to 21.94	760.7 to 760.8	47.8 to 47.9

Conventional Mass Value

Nominal Value	As Found Value (g)	As Found Correction* (mg)	As Left Value (g)	As Left Correction* (mg)	Uncertainty (mg)	Tolerance (mg)
200 mg, 1000101395, #109-B	0.2000082	0.0082	0.2000082	0.0082	0.0014	0.010
100 mg, 1000126267, #109-A	0.1000065	0.0065	0.1000065	0.0065	0.0014	0.010

*Correction is the difference between the conventional mass value of a weight and its nominal value.

Comments: These weights were received in good condition and were within ASTM Class 1 tolerances As Found.


Recalibration Due: The customer has requested a 5-year calibration cycle. The calibration due date for these weights is 05/09/27. The values listed above were found at the time of calibration. Any number of factors may cause these items to drift out of calibration before the calibration interval has expired.

Accredited by the American Association for Laboratory Accreditation (A2LA) under Calibration Laboratory Code 115953 and Certificate Number 1550.01. This laboratory meets the requirements of ISO/IEC 17025:2017 *General Requirements for the Competence of Testing and Calibration Laboratories*. This laboratory also meets the requirements of ANSI/NCSL Z540-1-1994 and any additional program requirements in the field of calibration.

page 2 to 2

Quality Control Services, Inc.
Metrology Laboratory Manager
E-mail dthompson@qc-services.com

Date: 05/09/22


Signature David S. Thompson

This document shall not be reproduced, except in full, without the written approval of Quality Control Services Mass Laboratory.

Member: National Conference of Standards Laboratories and Weights & Measures

Thermocouple Readout Calibration

DUT

Manufacturer:	National Instruments
Model:	NI 9213
Lab ID #:	215
Serial #:	1B182FB
Calibration Date:	10/13/2023
Calibration Expiration:	4/13/2024
Barometric Pressure:	29.62 in. Hg



Equipment Used:	Ref. Std. TC Signal Generator
Manufacturer:	Omega
Model:	CL23A
Lab ID#:	165
Cal. Expiration Date:	11/29/2023

Calibrate in accordance with EA-10/11 • EA Guidelines on the Calibration of Temperature Indicators and Simulators by Electrical Simulation and Measurement. Use procedure specified for thermocouple indicators without cold junction compensation.

Use only calibrated, NIST traceable reference standard signal generator.

Stated uncertainty calculated with RSS method with k=2 for a 95% confidence interval.

Channel	Std. TC Signal	DUT	Error	Expanded Uncertainty
	0	1.4	1.4	0.906
	500	501.1	1.1	
Tunnel	1000	1001	1	
Type K	1500	1500.8	0.8	
	2000	2000.5	0.5	

Channel	Std. TC Signal	DUT	Error	Expanded Uncertainty
	0	1	1	0.906
	500	500.7	0.7	
Flue	1000	1000.7	0.7	
Type K	1500	1500.4	0.4	
	2000	2000.3	0.3	

Channel	Std. TC Signal	DUT	Error	Expanded Uncertainty
	0	0.9	0.9	0.906
	500	500.8	0.8	
Filter A	1000	1000.6	0.6	
Type K	1500	1500.4	0.4	
	2000	2000.2	0.2	

Channel	Std. TC Signal	DUT	Error	Expanded Uncertainty
	0	0.8	0.8	0.906
	500	501.9	1.9	
Filter B	1000	1001.3	1.3	
Type K	1500	1500.9	0.9	
	2000	2000.4	0.4	

Channel	Std. TC Signal	DUT	Error	Expanded Uncertainty
	0	0.7	0.7	0.906
	500	500.5	0.5	
Filter C	1000	1000.4	0.4	
Type K	1500	1500.2	0.2	
	2000	2000.1	0.1	

Thermocouple Readout Calibration

DUT

Manufacturer:	National Instruments
Model:	NI 9213
Lab ID #:	215
Serial #:	1B182FB
Calibration Date:	10/13/2023
Calibration Expiration:	4/13/2024
Barometric Pressure:	29.62 in. Hg



Equipment Used:	Ref. Std. TC Signal Generator
Manufacturer:	Omega
Model:	CL23A
Lab ID#:	165
Cal. Expiration Date:	11/29/2023

Calibrate in accordance with EA-10/11 • EA Guidelines on the Calibration of Temperature Indicators and Simulators by Electrical Simulation and Measurement. Use procedure specified for thermocouple indicators without cold junction compensation.

Use only calibrated, NIST traceable reference standard signal generator.

Stated uncertainty calculated with RSS method with k=2 for a 95% confidence interval.

Channel	Std. TC Signal	DUT	Error	Expanded Uncertainty
	0	0.6	0.6	0.906
	500	500.4	0.4	
Meter A	1000	1000.3	0.3	
Type K	1500	1500.2	0.2	
	2000	1999.9	0.1	

Channel	Std. TC Signal	DUT	Error	Expanded Uncertainty
	0	1	1	0.906
	500	500.7	0.7	
Meter B	1000	1000.6	0.6	
Type K	1500	1500.5	0.5	
	2000	2000.2	0.2	

Channel	Std. TC Signal	DUT	Error	Expanded Uncertainty
	0	0.4	0.4	0.906
	500	500.3	0.3	
Meter C	1000	1000.1	0.1	
Type K	1500	1499.9	0.1	
	2000	1999.6	0.4	

Channel	Std. TC Signal	DUT	Error	Expanded Uncertainty
	0	0.7	0.7	0.906
	500	500.5	0.5	
FB Top	1000	1000.3	0.3	
Type K	1500	1500.1	0.1	
	2000	2000	0	

Channel	Std. TC Signal	DUT	Error	Expanded Uncertainty
	0	0.9	0.9	0.906
	500	500.6	0.6	
FB Bottom	1000	1000.5	0.5	
Type K	1500	1500.4	0.4	
	2000	2000.2	0.2	

Technician:

Thermocouple Readout Calibration

DUT

Manufacturer:	National Instruments
Model:	NI 9213
Lab ID #:	215
Serial #:	1B182FB
Calibration Date:	10/13/2023
Calibration Expiration:	4/13/2024
Barometric Pressure:	29.62 in. Hg



Equipment Used:	Ref. Std. TC Signal Generator
Manufacturer:	Omega
Model:	CL23A
Lab ID#:	165
Cal. Expiration Date:	11/29/2023

Calibrate in accordance with EA-10/11 • EA Guidelines on the Calibration of Temperature Indicators and Simulators by Electrical Simulation and Measurement. Use procedure specified for thermocouple indicators without cold junction compensation.

Use only calibrated, NIST traceable reference standard signal generator.

Stated uncertainty calculated with RSS method with k=2 for a 95% confidence interval.

Channel	Std. TC Signal	DUT	Error	Expanded Uncertainty
	0	0.9	0.9	0.906
	500	500.7	0.7	
FB Back	1000	1000.4	0.4	
Type K	1500	1500.2	0.2	
	2000	2000.1	0.1	

Channel	Std. TC Signal	DUT	Error	Expanded Uncertainty
	0	0.7	0.7	0.906
	500	500.4	0.4	
FB Left	1000	1000.3	0.3	
Type K	1500	1500.1	0.1	
	2000	1999.9	0.1	

Channel	Std. TC Signal	DUT	Error	Expanded Uncertainty
	0	0.6	0.6	0.906
	500	500.4	0.4	
FB Right	1000	1000.2	0.2	
Type K	1500	1500.2	0.2	
	2000	1999.9	0.1	

Channel	Std. TC Signal	DUT	Error	Expanded Uncertainty
	0	0.7	0.7	0.906
	500	500.5	0.5	
Catalyst	1000	1000.4	0.4	
Type K	1500	1500.2	0.2	
	2000	1999.9	0.1	

Channel	Std. TC Signal	DUT	Error	Expanded Uncertainty
	0	0	0	0.906
	50	49.1	0.9	
Ambient	100	99.1	0.9	
Type T	150	149.1	0.9	
	200	199.3	0.7	